

## Distribution Blocks MS4N-FRM – Inch Series



Distributor blocks provide additional air outlets to create separate pressure or air quality branches, or to attach pressure sensors.

- Pneumatic connection: 1/8 NPT, 1/4 NPT, 3/8 NPT
- Operating pressure: 0 ... 206 psi
- Flow rate: 42.4 ... 123.6 scfm

Product Range Overview								
Type	Pneumatic connections		Pressure indicator					Reverse flow
	Body thread	Port plate	Cover plate (without pressure gauge)	Integrated MS pressure gauge	Adapter for pressure gauge 1/8 NPT	Adapter for pressure gauge 1/4 NPT	Pressure sensor with display	Flow direction from right to left
<b>MS4N</b>		<b>AG...</b>	<b>VS</b>	<b>AG</b>	<b>A8</b>	<b>A4</b>	<b>AD...</b>	<b>Z</b>
FRM	1/8 NPT, 1/4 NPT	1/8 NPT, 1/4 NPT, 3/8 NPT	■	■	■	■	■	■

### Features

- Pneumatic manifold with 4 connections
- Can be used as an intermediate distributor for varying air qualities
- Attachment facility for auxiliary modules
- Outlet top and bottom
- An optional integrated non-return valve prevents the return flow e.g. of lubricated compressed air
- Optional pressure sensor with display

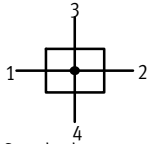
### Contents

- Technical Data → 456
  - Dimensional Drawings → 458
  - Ordering Data → 461
  - Accessories → 464
- [www.festo.com/catalog/ms4n-frm](http://www.festo.com/catalog/ms4n-frm)

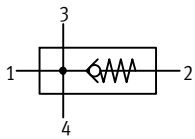
# Distribution Blocks MS4N-FRM – Inch Series

Technical Data

ISO Symbol



Standard



With integrated non-return function



General Technical Data		
Pneumatic connection 1, 2	1/8 NPT	1/4 NPT
Pneumatic connection 3, 4	1/4 NPT	
Operating pressure [psi]	0 ... 206 (Standard)	
	0 ... 147 (With non-return function)	
	0 ... 176 (Pressure switch X/Y/M12)	
	0 ... 147 (Pressure sensor with display AD...)	

1) The Distribution Block must be mounted vertically when combined with a pressure sensor as condensate must not collect in the pressure sensor.

Standard Nominal Flow Rate $q_{nN^2}$ [scfm]		
Pneumatic connection	1/8 NPT	1/4 NPT
Standard		
In main flow direction 1 → 2	45.9	123.6
Outlet at top	77.7	81.2
Outlet at bottom	81.2	88.3
With non-return function		
In main flow direction 1 → 2	42.4	61.8
Outlet at top	17.7	17.7
Outlet at bottom	17.7	17.7

2) Measured at  $p_1 = 88$  psi and  $p_2 = 74$  psi  $\Delta p = 15$  psi

Operating and Environmental Conditions			
Variant			
Operating medium	Compressed air	Compressed air	Filtered compressed air, lubricated or unlubricated, filtration grade 40 $\mu$ m
Ambient temperature [°F]	14 ... 140	14 ... 140	32 ... 122
Temperature of medium [°F]	14 ... 140	14 ... 140	32 ... 122
Storage temperature [°F]	14 ... 140	14 ... 140	14 ... 140
Assembly position	Any <sup>1)</sup>		
Corrosion resistance class CRC <sup>3)</sup>	2		

3) Corrosion resistance class 2 according to Festo standard 940 070  
 Components requiring moderate corrosion resistance. Externally visible parts with primarily decorative surface requirements which are in direct contact with a normal industrial environment or media such as coolants or lubricating agents.

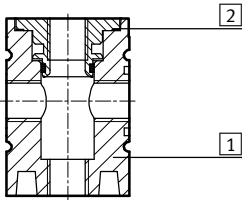
# Distribution Blocks MS4N-FRM – Inch Series

Technical Data

Weight [lb]	
Standard/With non-return function	0.32
With pressure switch	0.80
With pressure sensor	0.50

## Materials

Sectional view (Standard)



Distribution block		
1	Housing	Die-cast aluminum
2	Threaded insert	Aluminum
Note on materials		Free of copper and PTFE (not with variants AG or AD...)

# Distribution Blocks MS4N-FRM – Inch Series

Dimensional Drawings

Dimensions<sup>1)</sup> – Standard/With Non-Return Function Download CAD Data → [www.festo.com/us/cad](http://www.festo.com/us/cad)



Type	B1	B2	B3	D1	D2	L1	L2
MS4N-FRM-1/8	1.57	0.83	2.13	1/8 NPT	1/4 NPT	2.28	1.06
MS4N-FRM-1/8-I						2.36	1.14
MS4N-FRM-1/4	1.57	0.83	2.13	1/4 NPT	1/4 NPT	2.28	1.06
MS4N-FRM-1/4-I						2.36	1.14

1) Dimensions are in inches, unless otherwise noted.

# Distribution Blocks MS4N-FRM – Inch Series

Dimensional Drawings

**Dimensions<sup>1)</sup> – Pressure Gauge Alternatives** Download CAD Data → [www.festo.com/us/cad](http://www.festo.com/us/cad)

Integrated MS pressure gauge AG, display unit [psi] Adapter plate A8/A4 for EN pressure gauge 1/8/1/4, without pressure gauge

→ Flow direction

Pressure sensor with display AD1 ... AD4 Technical data SDE1 → [www.festo.com/catalog/sde1](http://www.festo.com/catalog/sde1)

→ Flow direction

**Variant AD1:**  
SDE1-D10-G2-MS-L-P1-M8 with 3-pin plug M8x1, 1 switch output PNP

**Variant AD2:**  
SDE1-D10-G2-MS-L-N1-M8 with 3-pin plug M8x1, 1 switch output NPN

**Variant AD3:**  
SDE1-D10-G2-MS-L-PI-M12 with 4-pin plug M12x1, 1 switch output PNP and 4 ... 20 mA analog

**Variant AD4:**  
SDE1-D10-G2-MS-L-NI-M12 with 4-pin plug M12x1, 1 switch output NPN and 4 ... 20 mA analog

Type	B2	B3	D1	D4	D6	L5	L6
MS4N-FRM-1/8-...-AG	0.83	2.24	1/8 NPT	-	-	-	-
MS4N-FRM-1/4-...-AG			1/4 NPT				
MS4N-FRM-1/8-...-A8	0.83	2.30	1/8 NPT	G1/8	-	-	-
MS4N-FRM-1/4-...-A8			1/4 NPT				
MS4N-FRM-1/8-...-A4	0.83	2.30	1/8 NPT	G1/4	-	-	-
MS4N-FRM-1/4-...-A4			1/4 NPT				
MS4N-FRM-1/8-...-AD1/AD2	0.83	3.25	1/8 NPT	-	M8x1	1.38	1.84
MS4N-FRM-1/4-...-AD1/AD2			1/4 NPT				
MS4N-FRM-1/8-...-AD3/AD4	0.83	3.25	1/8 NPT	-	M12x1	1.38	2.20
MS4N-FRM-1/4-...-AD3/AD4			1/4 NPT				

1) Dimensions are in inches, unless otherwise noted.

# Distribution Blocks MS4N-FRM – Inch Series

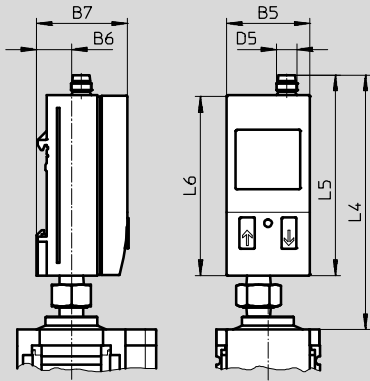
Dimensional Drawings

## Dimensions<sup>1)</sup> – Pressure Gauge Alternatives

Pressure sensor with display AD5/AD6

Download CAD Data → [www.festo.com/us/cad](http://www.festo.com/us/cad)

Technical data SDE1 → [www.festo.com/catalog/sde1](http://www.festo.com/catalog/sde1)



Variant AD5:  
SDE1-D10-G2-H18-C-P1-M8 with  
3-pin plug M8x1, 1 switch output PNP

Variant AD6:  
SDE1-D10-G2-W18-L-2I-M12 with  
5-pin plug M12x1, 2 switch outputs  
PNP and 4 ... 20 mA analog

Type	B5	B6	B7	D5	L4	L5	L6
MS4N-FRM-...-AD5	1.27	0.53	1.39	M8	3.90	3.07	2.76
MS4N-FRM-...-AD6				M12	4.25	3.43	

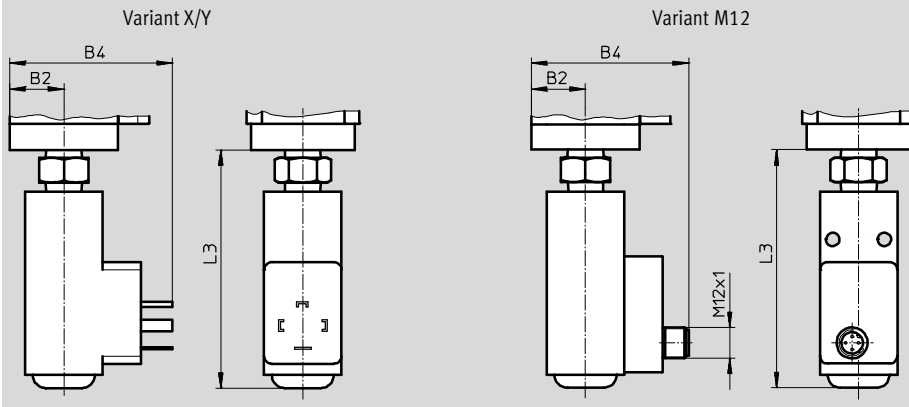
1) Dimensions are in inches, unless otherwise noted.

## Dimensions<sup>1)</sup> – Pressure Switch

Pressure switch with adjustable pressure switching point X/Y/M12

Download CAD Data → [www.festo.com/us/cad](http://www.festo.com/us/cad)

Technical data PEV → [www.festo.com/catalog/pev](http://www.festo.com/catalog/pev)



Variant X:  
PEV-1/4-SC-0D with display, plug,  
square design to DIN EN 175 301,  
type A

Variant Y:  
PEV-1/4-B-0D, plug, square design to  
DIN EN 175 301, type A

Variant M12:  
PEV-1/4-B-M12 with 4-pin plug M12x1

Type	B2	B4	L3
MS4N-FRM-...-X/Y	0.83	2.48	3.63
MS4N-FRM-...-M12	0.83	2.40	3.63

1) Dimensions are in inches, unless otherwise noted.

## Distribution Blocks MS4N-FRM – Inch Series

Ordering Data – Pre-configured Products

Ordering Data			
Connection	Part No.	Type	LT
Standard			
1/8 NPT	531950	MS4N-FRM-1/8 <sup>1)</sup>	1D
1/4 NPT	531949	MS4N-FRM-1/4 <sup>1)</sup>	1D
With integrated non-return function			
1/8 NPT	536975	MS4N-FRM-1/8-I <sup>1)</sup>	Q
1/4 NPT	536976	MS4N-FRM-1/4-I <sup>1)</sup>	Q
With pressure switch PEV-1/4-B-OD (variant Y)			
1/8 NPT	531954	MS4N-FRM-1/8-Y <sup>1)</sup>	1D
1/4 NPT	531953	MS4N-FRM-1/4-Y <sup>1)</sup>	1D

LT = Lead time      1D typically ships same day/next day      3D typically ships within 3 days

1) Free of copper and PTFE

# Distribution Blocks MS4N-FRM – Inch Series



Ordering Data – Configurable Products

**M** Mandatory Data →

Part No.	Series	Size	Thread	Function	Connection size
527704	MS	4	N	FRM	1/8 1/4 AQK AQN AQP
<b>Order example</b>					
527704	MS	4	N	- FRM	- 1/8

**Ordering Table**

Grid dimension	[mm]	40	Conditions	Code	Enter code
<b>M</b> Part No.	527704				
Series	Standard			MS	MS
Size	4			4	4
Thread	NPT thread			N	N
Function	Distribution block			-FRM	-FRM
Connection size	Body thread 1/8 NPT			-1/8	
	Body thread 1/4 NPT			-1/4	
	Port plate 1/8 NPT (dimensions → 468)			-AQK	
	Port plate 1/4 NPT (dimensions → 468)			-AQN	
	Port plate 3/8 NPT (dimensions → 468)			-AQP	

Transfer order code

527704	MS	4	N	- FRM	-	
--------	----	---	---	-------	---	--



# Distribution Blocks MS4N-FRM – Inch Series

Ordering Data – Configurable Products

→ **0 Options**

Additional function	Pressure gauge alternatives	Alternative pressure gauge scale	Pressure switch	Type of mounting	Reverse flow direction
I	AG A8 A4 AD1 AD2 AD3 AD4 AD5 AD6	BAR MPA	X Y M12	WP WPM WB WBM	Z
-	- <b>AG</b>	- <b>BAR</b>	- <b>M12</b>	- <b>WB</b>	- <b>Z</b>

**Ordering Table**

Grid dimension	[mm]	40	Conditions	Code	Enter code
<b>0</b> Additional function		With integrated non-return function	<b>1</b>	<b>-I</b>	
Pressure gauge alternatives		MS pressure gauge, psi (with adapter)		<b>-AG</b>	
		Adapter plate for EN pressure gauge 1/8, without pressure gauge		<b>-A8</b>	
		Adapter plate for EN pressure gauge 1/4, without pressure gauge		<b>-A4</b>	
		Pressure sensor with display, plug M8, 1 switching output PNP, 3-pin	<b>2</b>	<b>-AD1</b>	
		Pressure sensor with display, plug M8, 1 switching output NPN, 3-pin	<b>2</b>	<b>-AD2</b>	
		Pressure sensor with display, plug M12, 1 switching output PNP, 4-pin, analog output 4 ... 20 mA	<b>2</b>	<b>-AD3</b>	
		Pressure sensor with display, plug M12, 1 switching output NPN, 4-pin, analog output 4 ... 20 mA	<b>2</b>	<b>-AD4</b>	
		Pressure sensor with display, plug M8, 1 switching output PNP, 3-pin	<b>2</b>	<b>-AD5</b>	
		Pressure sensor with display, plug M12, 2 switching outputs PNP, 5-pin, analog output 4 ... 20 mA	<b>2</b>	<b>-AD6</b>	
Alternative pressure gauge scale		bar	<b>3</b>	<b>-BAR</b>	
		MPa	<b>3</b>	<b>-MPA</b>	
Pressure switch		Pressure switch PEV with display, socket, EN 175301, type A, cube	<b>4</b>	<b>-X</b>	
		Pressure switch PEV without display, socket, EN 175301, type A, cube	<b>4</b>	<b>-Y</b>	
		Pressure switch PEV without display, socket, round, M12, 4-pin	<b>4</b>	<b>-M12</b>	
Type of mounting		Mounting bracket (dimensions → 469)	<b>5</b>	<b>-WP</b>	
		Mounting bracket (dimensions → 469)	<b>5</b>	<b>-WPM</b>	
		Mounting bracket (dimensions → 466)		<b>-WB</b>	
		Mounting bracket (dimensions → 466)		<b>-WBM</b>	
Reverse flow direction		Flow direction from right to left		<b>-Z</b>	

- 1** **I** Not with pressure gauge alternatives AD5 or AD6
- 2** **AD1 ... AD6** Measuring range max. 147 psi
- 3** **BAR, MPA** Only with pressure gauge AG

- 4** **X, Y, M12** Max. permissible supply pressure P1 = 176 psi.  
Not with pressure gauge alternatives AD5 or AD6
- 5** **WP, WPM** Only with port plate AQK, AQN or AQP

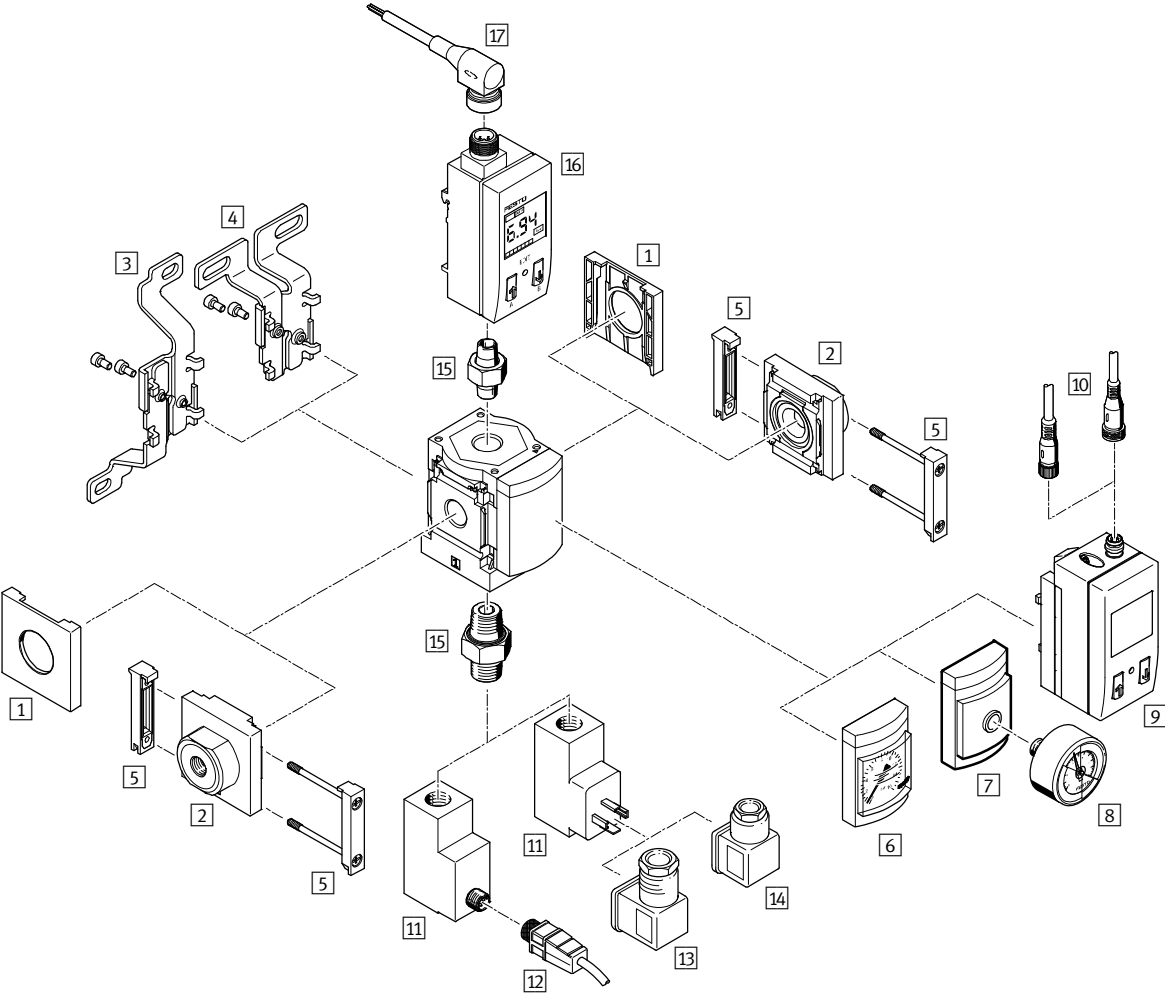
**Transfer order code**

-  -  -  -  -  -

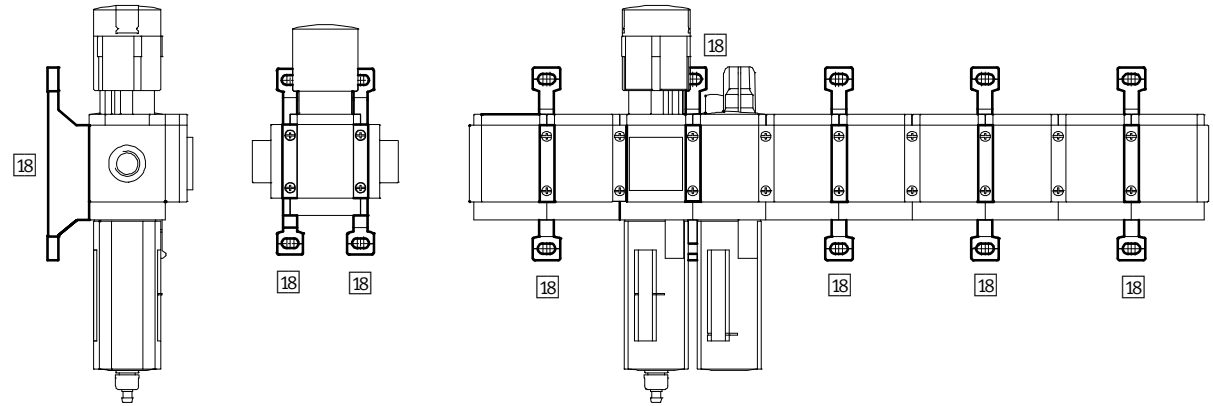
# Distribution Blocks MS4N-FRM – Inch Series

Accessories Overview

Mounting Attachments and Accessories



Single unit and combination unit mounting brackets.



# Distribution Blocks MS4N-FRM – Inch Series

Accessories Overview



Mounting Attachments and Accessories						
		Single unit		Combination unit → 2.1-49		→ Page
		without port plate	with port plate	without port plate	with port plate	
1	Cover cap MS4-END	■	-	■	-	467
2	Port plate MS4N-AQ...	-	■	-	■	468
3	Mounting bracket MS4-WB	■	■	-	-	466
4	Mounting bracket MS4-WBM	■	■	-	-	466
5	Body connector MS4-MV	-	■	■	■	468
6	MS pressure gauge AG	■	■	■	■	462
7	Adapter for EN pressure gauge 1/8/1/4 A8/A4	■	■	■	■	462
8	Pressure gauge MA	■	■	■	■	473
9	Pressure sensor SDE1-...-MS AD1 ... AD4	■	■	■	■	462
10	Plug socket with cable SIM-M8-3.../SIM-M12-4...	■	■	■	■	473
11	Pressure switch PEV X/Y/M12	■	■	■	■	472
12	Plug socket with cable SIM-M12-4...	■	■	■	■	473
13	Angled socket PEV-1/4-WD-LED-...	■	■	■	■	472
14	Plug socket MSSD-C-4P	■	■	■	■	472
15	Double nipple ESK	■	■	■	■	472
16	Pressure sensor SDE1-...-H18/W18 AD5/AD6	■	■	■	■	472
17	Plug socket with cable SIM-M8-3.../SIM-M12-5...	■	■	■	■	473
18	Mounting bracket MS4-WP/WPB/WPM	-	■	■	■	469

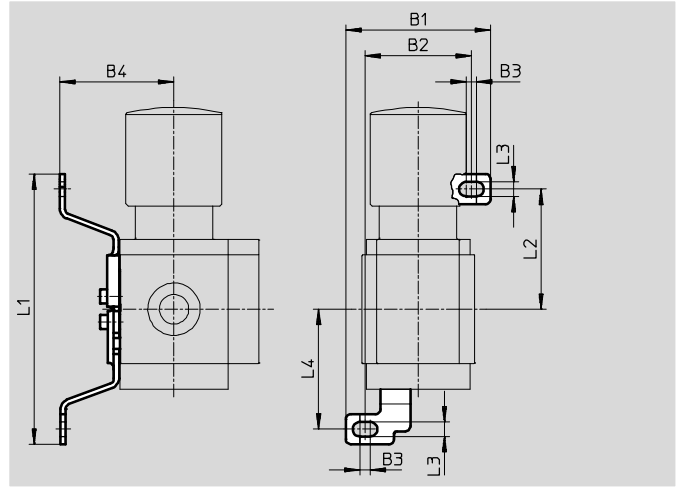
# Distribution Blocks MS4N-FRM – Inch Series

Accessories

## 3 Mounting bracket MS4-WB

- For wall mounting

Material:  
Steel



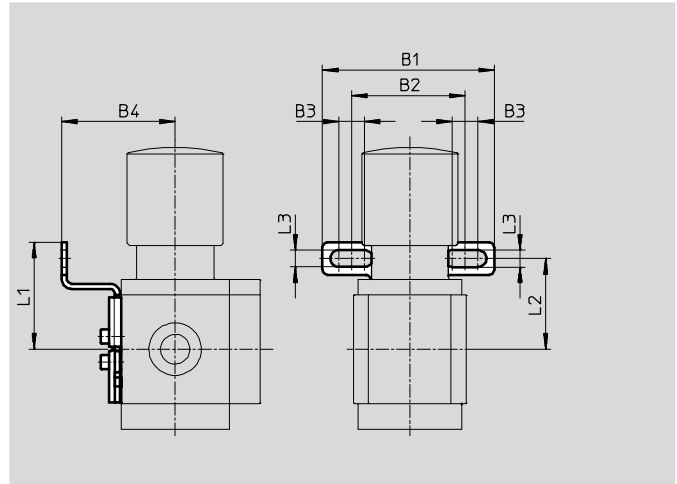
### Dimensions and Ordering Data

B1	B2	B3	B4	L1	L2	L3	L4	Weight [lb]	Part No.	Type
2.21	1.62	0.16	1.74	4.12	1.83	0.22	1.83	0.09	532185	MS4-WB

## 4 Mounting bracket MS4-WBM

- For wall mounting

Material:  
Steel



### Dimensions and Ordering Data

B1	B2	B3	B4	L1	L2	L3	Weight [lb]	Part No.	Type
2.62	1.73	0.39	1.73	1.63	1.38	0.26	0.10	526062	MS4-WBM

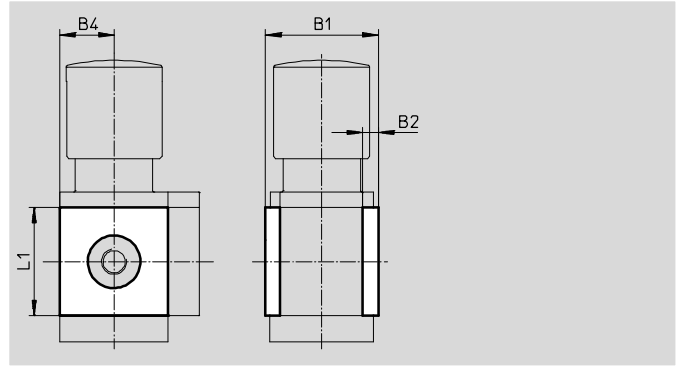
# Distribution Blocks MS4N-FRM – Inch Series

Accessories

## 1 Cover cap MS4-END

- Can be used to cover the body sides of the first and last module if port plates are not used.

Material:  
Reinforced polyamide  
Free of copper and PTFE

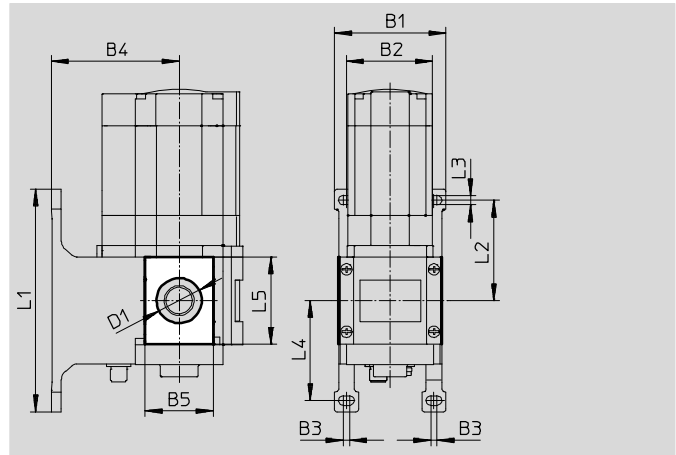


Dimensions and Ordering Data						
B1	B2	B4	L1	Part No.	Type	
1.72	0.24	0.83	1.65	538779	MS4-END	

## Mounting plate MS4-AEND

- In combination with mounting bracket MS-WP or MS-WPB for mounting an individual unit on a wall with body thread

Material:  
Reinforced polyamide  
Conforms to RoHS  
Free of copper and PTFE



Dimensions and Ordering Data															
B1	B2	B3	B4		B5	D1 ∅	L1	L2	L3	L4	L5	CRC <sup>1)</sup>	Weight [lb]	Part No.	Type
			WP	WPB											
2.17	1.58	0.16	1.73	2.60	1.20	0.80	4.17	1.83	0.22	1.84	1.65	2	0.01	542966	MS4-AEND

1) Corrosion resistance class 2 according to Festo standard 940 070  
Components requiring moderate corrosion resistance. Externally visible parts with primarily decorative surface requirements which are in direct contact with a normal industrial environment or media such as coolants or lubricating agents.

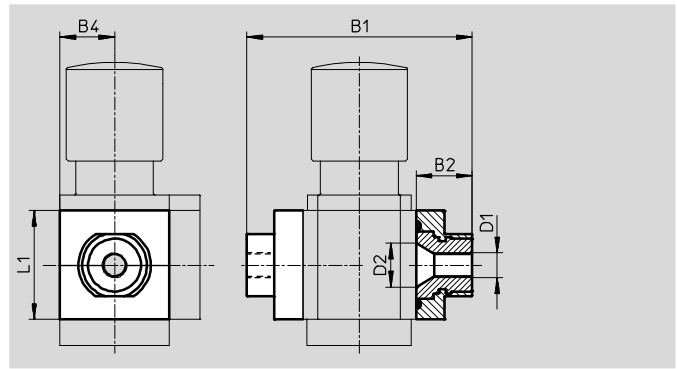
## Distribution Blocks MS4N-FRM – Inch Series

Accessories

### 2 Port plate MS4N-AQ...

- Adapter for pneumatic connection

Material:  
Aluminum



Dimensions and Ordering Data							
B1	B2	B4	D1	D2	L1	Weight [lb]	Part No. Type
3.29	0.85	0.83	1/8 NPT	0.66	1.65	0.26	526065 MS4N-AQK
			1/4 NPT				526066 MS4N-AQN
			3/8 NPT				526067 MS4N-AQP

### 5 Body connector MS4-MV

- For connecting modules

Material:  
Stainless steel/polyacetate



Ordering Data		
Weight [lb]	Part No.	Type
0.07	532798	MS4-MV

# Distribution Blocks MS4N-FRM – Inch Series

Accessories

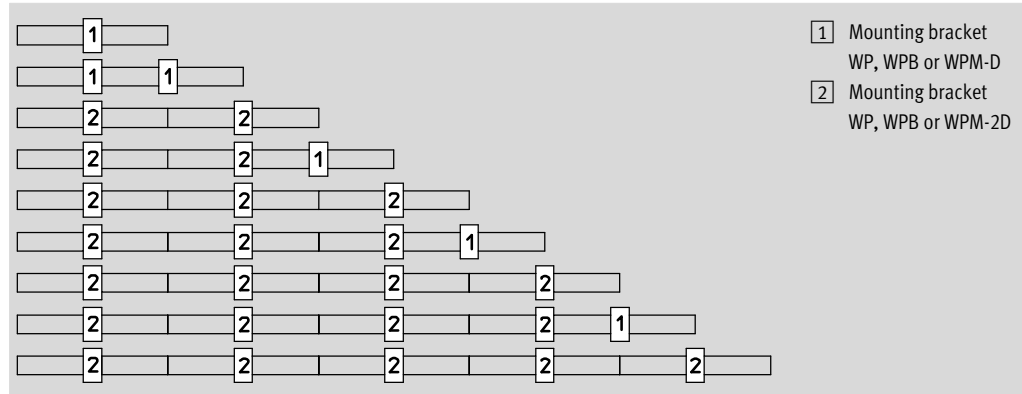
**18 Mounting Bracket MS4-WP...**  
Suggested placement of wall mounting brackets when mounting air preparation combinations

1 unit: 1.575 in

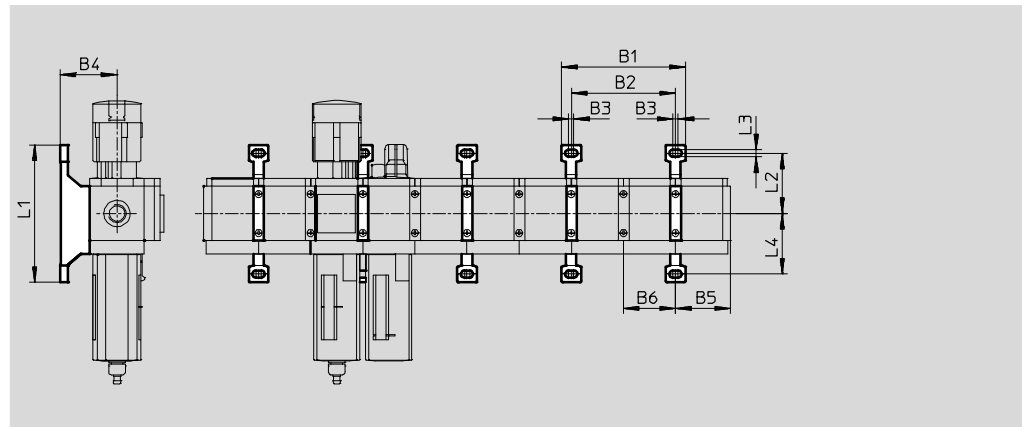
2 units: 3.15 in

Number of units

1 2 3 4 5 6 7 8 9 10



Mounting dimensions



Type	B1	B2	B3	B4	B5	B6	L1	L2	L3	L4
MS4-WP	3.75	3.15	0.16	1.73	1.65	1.57	4.17	1.83	0.22	1.84
MS4-WPB				2.60						
MS4-WPM-...D				1.73						

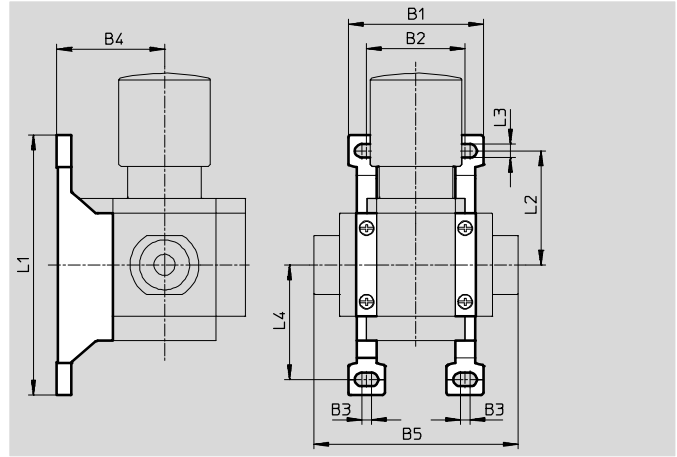
## Distribution Blocks MS4N-FRM – Inch Series

Accessories

### Mounting bracket MS4-WP

- To connect the modules for wall mounting
- In combination with a port plate MS-AG... for mounting an individual unit on a wall
- In combination with mounting plate MS-AEND or for mounting an individual unit with body thread on a wall
- For pressure regulator LRB with angled outlet block B... at rear

Material:  
Die-cast aluminum

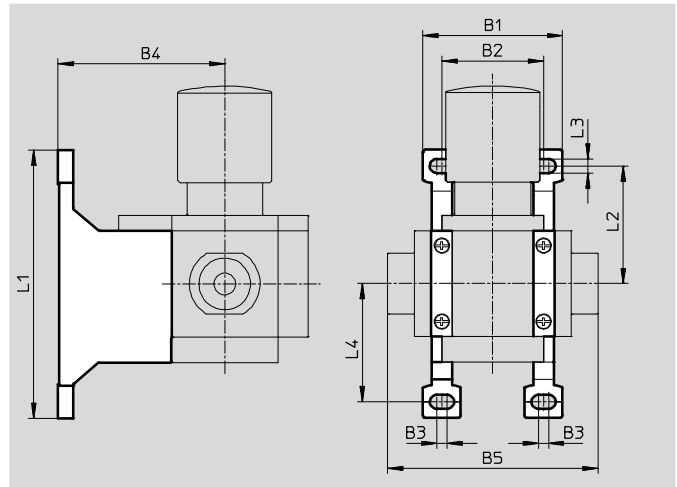


Dimensions and Ordering Data											
B1	B2	B3	B4	B5	L1	L2	L3	L4	Weight [lb]	Part No.	Type
2.17	1.58	0.16	1.73	3.28	4.17	1.83	0.22	1.84	0.08	532184	MS4-WP

### Mounting bracket MS4-WPB

- To connect the modules for wall mounting
- In combination with a port plate MS-AG... for mounting an individual unit on a wall
- In combination with mounting plate MS-AEND or for mounting an individual unit with direct thread on a wall
- Provides large wall gap for pressure regulator

Material:  
Die-cast aluminum



Dimensions and Ordering Data											
B1	B2	B3	B4	B5	L1	L2	L3	L4	Weight [lb]	Part No.	Type
2.17	1.58	0.16	2.60	3.28	4.17	1.83	0.22	1.84	0.11	526063	MS4-WPB



## Distribution Blocks MS4N-FRM – Inch Series

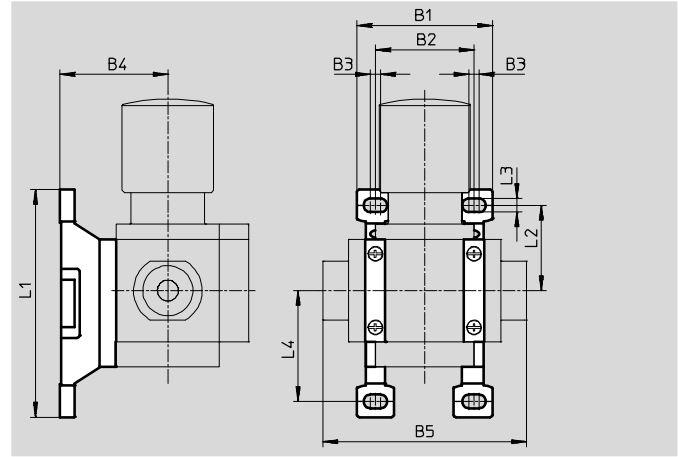
Accessories

### Mounting bracket MS4-WPM

- To connect the modules for wall mounting
- In combination with a port plate MS-AG... for mounting an individual unit on a wall
- Speedy attachment and detachment
- For installation of modules with regulating knob pointing downwards

The distance piece D or 2D (designated in the type code) is included in the scope of delivery and ensures the correct clearance

Material:  
Die-cast aluminum



Dimensions and Ordering Data												
B1	B2	B3	B4	B5	L1	L2	L3	L4	Clearance	Weight [lb]	Part No.	Type
2.17	1.57	0.16	1.73	3.28	3.65	1.37	0.22	1.78	1.57	0.09	526060	MS4-WPM-D
3.75	3.15			4.86					3.15	0.11	526061	MS4-WPM-2D

### Body connector MS4-MVM

- For installation of modules with regulating knob pointing downwards

Material:  
Die-cast aluminum


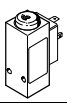
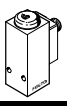


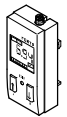
Ordering Data		
Size	Part No.	Type
MS4	532800	MS4-MVM

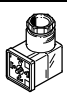
# Distribution Blocks MS4N-FRM – Inch Series

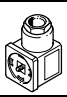
Accessories

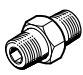
**FESTO**

11 Ordering Data – Pressure Switch PEV					Technical data → <a href="http://www.festo.com/catalog/pev">www.festo.com/catalog/pev</a>	
	Pneumatic connection	Pressure switching point	Electrical connection	Order code	Part No.	Type
	1/4 NPT	Adjustable with visual scale	Plug, square design to DIN EN 175 301, type A	X	161760	PEV-1/4-SC-0D
	1/4 NPT	Adjustable	Plug, square design to DIN EN 175 301, type A	Y	175250	PEV-1/4-B-0D
	1/4 NPT	Adjustable	Plug M12x1, 4-pin	M12	192488	PEV-1/4-B-M12

16 Ordering Data – Pressure Sensor SDE1					Technical data → <a href="http://www.festo.com/catalog/sde1">www.festo.com/catalog/sde1</a>	
	Pneumatic connection	Electrical output	Electrical connection	Display	Order code	Part No. Type
Pressure sensor SDE1 for Distribution Block MS-FRM, pressure measuring range 0 ... 147 psi, relative pressure measurement						
	Female thread 1/8NPT	1 switch output PNP	M8x1, 3-pin	LCD	AD5	192030 SDE1-D10-G2-H18-C-P1-M8
		2 switch outputs PNP and 4 ... 20 mA analog	M12x1, 5-pin	Illuminated LCD	AD6	534062 SDE1-D10-G2-W18-L-2I-M12

13 Ordering Data – Angled Socket PEV					Technical data → <a href="http://www.festo.com/catalog/pev">www.festo.com/catalog/pev</a>	
	Description	Operating voltage range	Electrical connection	Switching status display	Part No.	Type
	for PEV-1/4-...-OD	15 ... 30 V DC	4-pin	Yellow LED	164274	PEV-1/4-WD-LED-24
		≤ 230 V AC ≤ 180 V DC	4-pin	Yellow LED	164275	PEV-1/4-WD-LED-230


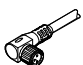
14 Ordering Data – Plug Socket MSSD					Technical data → <a href="http://www.festo.com/catalog/mssd">www.festo.com/catalog/mssd</a>	
	Description	Operating voltage range	Electrical connection	Type of mounting cable connection	Part No.	Type
	for PEV-1/4-...-OD	≤ 250 V AC/DC	3-pin	Clamping screws	171157	MSSD-C-4P


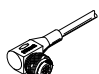
15 Ordering Data – Double Nipple ESK					
	Description	Pneumatic connection		Part No.	Type
	Adjustable for angular compensation • For retro-fitting pressure switch PEV or pressure sensor SDE1 to distribution block MS-FRM	R1/8	R1/4	534151	ESK-1/8-1/4
		R1/4	R1/4	151521	ESK-1/4-1/4
			R1/2	534153	ESK-1/4-1/2


## Distribution Blocks MS4N-FRM – Inch Series

Accessories

FESTO

17 Ordering Data – Plug Socket with Cable SIM-M8			Technical data → <a href="http://www.festo.com/catalog/sim-m8">www.festo.com/catalog/sim-m8</a>	
	Electrical connection	Cable length [ft]	Part No.	Type
	M8x1, 3-pin	8.2	159420	SIM-M8-3GD-2,5-PU
		16.4	159421	SIM-M8-3GD-5-PU
		32.8	192964	SIM-M8-3GD-10-PU
	M8x1, 3-pin	8.2	159422	SIM-M8-3WD-2,5-PU
		16.4	159423	SIM-M8-3WD-5-PU
		32.8	192965	SIM-M8-3WD-10-PU

Ordering Data – Plug Socket with Cable SIM-M12			Technical data → <a href="http://www.festo.com/catalog/sim-m12">www.festo.com/catalog/sim-m12</a>	
	Electrical connection	Cable length [ft]	Part No.	Type
	M12x1, 4-pin	16.4	164259	SIM-M12-4GD-5-PU
	M12x1, 5-pin	8.2	175715	SIM-M12-5GD-2,5-PU
		16.4	175716	SIM-M12-5GD-5-PU
	M12x1, 4-pin	16.4	164258	SIM-M12-4WD-5-PU

8 Ordering Data – Pressure Gauge MA				Technical data → <a href="http://www.festo.com/catalog/ma">www.festo.com/catalog/ma</a>		
	Nominal size	Pneumatic connection	Indicating range		Part No.	Type
			[bar]	[psi]		
	Pressure gauge MA, DIN EN 837-1					
	1.57	1/4 NPT	0 ... 16	0 ... 232	183908	MA-40-16-N1/4-EN
	Pressure gauge MA, DIN EN 837-1, with red-green range					
	1.57	1/8 NPT	–	0 ... 232	530388	MA-40-232-N1/8-PSI-E-RG
	1.97	1/4 NPT	–	0 ... 232	530391	MA-50-232-N1/4-PSI-E-RG



# Festo - Your Partner in Automation



**1 Festo Inc.**  
5300 Explorer Drive  
Mississauga, ON L4W 5G4  
Canada

**Festo Customer Interaction Center**  
Tel: 1 877 463 3786  
Fax: 1 877 393 3786  
Email: [customer.service.ca@festo.com](mailto:customer.service.ca@festo.com)

**2 Festo Pneumatic**  
Av. Ceylán 3,  
Col. Tequesquináhuac  
54020 Tlalnepantla,  
Estado de México

**Multinational Contact Center**  
01 800 337 8669  
[ventas.mexico@festo.com](mailto:ventas.mexico@festo.com)

**3 Festo Corporation**  
1377 Motor Parkway  
Suite 310  
Islandia, NY 11749

**Festo Customer Interaction Center**  
1 800 993 3786  
1 800 963 3786  
[customer.service.us@festo.com](mailto:customer.service.us@festo.com)

**4 Regional Service Center**  
7777 Columbia Road  
Mason, OH 45040

Connect with us



[www.festo.com/socialmedia](http://www.festo.com/socialmedia)



[www.festo.com](http://www.festo.com)

Subject to change