

Proximity switches for T-slot

FESTO



Festo core product range
Covers 80% of your automation tasks

Worldwide:

Always in stock

Superb:

Festo quality at an attractive price

Easy:

Simplified procurement and warehousing

★ Generally ready for shipping ex works in 24 hours

In stock at 13 Service Centres worldwide

More than 2200 products

★ Generally ready for shipping ex works in 5 days

Assembled for you at 4 Service Centres worldwide

Up to 6×10^{12} variants per product family

Just look
for the
star!

Product range overview

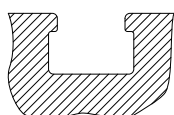
Design	Type of mounting	Measuring principle	Type	Operating voltage range	Switching output	Switching element function	→ Page	
For T-slot	Standard							
	Screw-clamped, inserted in the slot from above	Magnetic Hall	SDBT-MSX	10 ... 30 V DC	PNP/NPN, switchable	N/O/ N/C contact, switchable	–	
	Inserted in the slot from above, flush with the cylinder profile	Magneto-resistive	SMT-8M-A	5 ... 30 V DC	PNP	N/O contact	–	
						N/C contact		
					NPN	N/O contact		
				Non-contacting, 2-wire	N/O contact			
	Inserted in the slot from above, flush with the cylinder profile	Magnetic reed	SME-8M	5 ... 30 V AC/DC	Contacting, bipolar	N/O contact	–	
						N/C contact		
	Inserted in the slot lengthwise, flush with the cylinder profile	Magnetic reed	SME-8	12 ... 30 V AC/DC	Contacting, bipolar	N/O contact	–	
				3 ... 230 V AC/DC		N/C contact		
	Insertable in the slot lengthwise	Magneto-resistive	SMT-8G	10 ... 30 V DC	PNP, NPN	N/O contact	–	
		Magneto-resistive	SMT-8-SL	10 ... 30 V DC	PNP	N/O contact	–	
		Magnetic reed	SME-8-SL	10 ... 30 V AC/DC	Contacting, bipolar	N/O contact	–	
	Inserted in the slot from above	Magnetic reed	SME-8-FM	10 ... 30 V AC/DC	Contacting, bipolar	N/O contact	–	
	With accessories	Magneto-resistive	SMT-8-E	10 ... 30 V DC	PNP	N/O contact	7	
					NPN			
		Magnetic reed	SME-8-E	12 ... 30 V DC	Contacting, bipolar	N/O contact	–	
				3 ... 250 V DC				
			3 ... 230 V AC					
	Corrosion-resistant							
	Inserted in the slot from above, flush with the cylinder profile	Magneto-resistive	CRSMT-8M	5 ... 30 V DC	PNP	N/O contact	–	
	Welding-field-resistant							
	Inserted in the slot from above, screw-clamped	Magneto-resistive	SDBT-BSW	10 ... 30 V DC	PNP	N/O contact	–	
								NPN
								Non-contacting, 2-wire
	With accessories	Magneto-inductive	SMTSO-8E	10 ... 30 V DC	PNP	N/O contact	7	
								NPN
Heat-resistant up to 120°C								
Inserted in the slot lengthwise, flush with the cylinder profile	Magnetic reed	SME-8-...S6	0 ... 30 V AC/DC	Contacting, bipolar	N/O contact	–		
With accessories	Magnetic reed	SME-8-E-...S6	0 ... 30 V DC	Contacting	N/O contact	–		
			0 ... 30 V AC					
To EU Explosion Protection Directive (ATEX)								
Inserted in the slot from above, screw-clamped	Magneto-resistive	SDBT-MS-...-EX6	8.2 V DC	NAMUR	NAMUR	–		

Product range overview

Design	Type of mounting	Measuring principle	Type	Operating voltage range	Switching output	Switching element function	→ Page
For C-slot	Standard Inserted in the slot from above, flush with the cylinder profile	Magneto-resistive	SMT-10M	10 ... 30 V DC	PNP	N/O contact	C-slot
					NPN		
					Non-contacting, 2-wire		
	Magnetic reed	SME-10M	5 ... 30 V AC/DC	Contacting, bipolar	N/O contact		
	Insertable in the slot lengthwise	Magneto-resistive	SMT-10G	10 ... 30 V DC	PNP	N/O contact	
Magnetic reed		SME-10	12 ... 27 V AC/DC	Contacting	N/O contact		

T-slot switches can be used for drives with T-slot

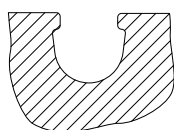
Exceptions



- DFM-B: SMT0-8E, SMTSO-8E, SME0-8E and SMP0-8E cannot be used
- DHDS: SME-8M can only be used on $\varnothing 50$
- DHPS: SME-8M can only be used on $\varnothing 20 \dots 35$
- HGDD-63-A: SMT-8M-A cannot be used
- HGPT-B: only SMT-8G can be used from size 40 and upwards
- SDBT-BSW- ... -PU/NU can only be used on a limited number of drive series. Page → 53

C-slot switches can be used for drives with C-slot

Exceptions



- ADVC $\varnothing 100$: SMT-10M and SME-10M cannot be used (ADVC has a T-slot and C-slot)
- DSM/DSM-B-6/8/10: SME-10M cannot be used
- DSM/DSM-B-10/16: SMT-10M cannot be used
- HGPT-B: only SMT-10G can be used for sizes up to and including size 35

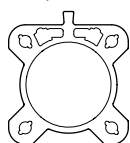
For drives with sensor rail: these are available with 2 cylinder barrel contours

Only T-slot switches CRSMT-8M, SMT-8M-A and SDBT-MS- ... -EX6 can be used, and only with the identified profile.

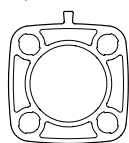
CRSMT-8M and SMT-8M-A can be used for all diameters; SDBT-MS- ... -EX6 cannot be used for diameters 40 and 50.

Example: DSBF

Example: CDC

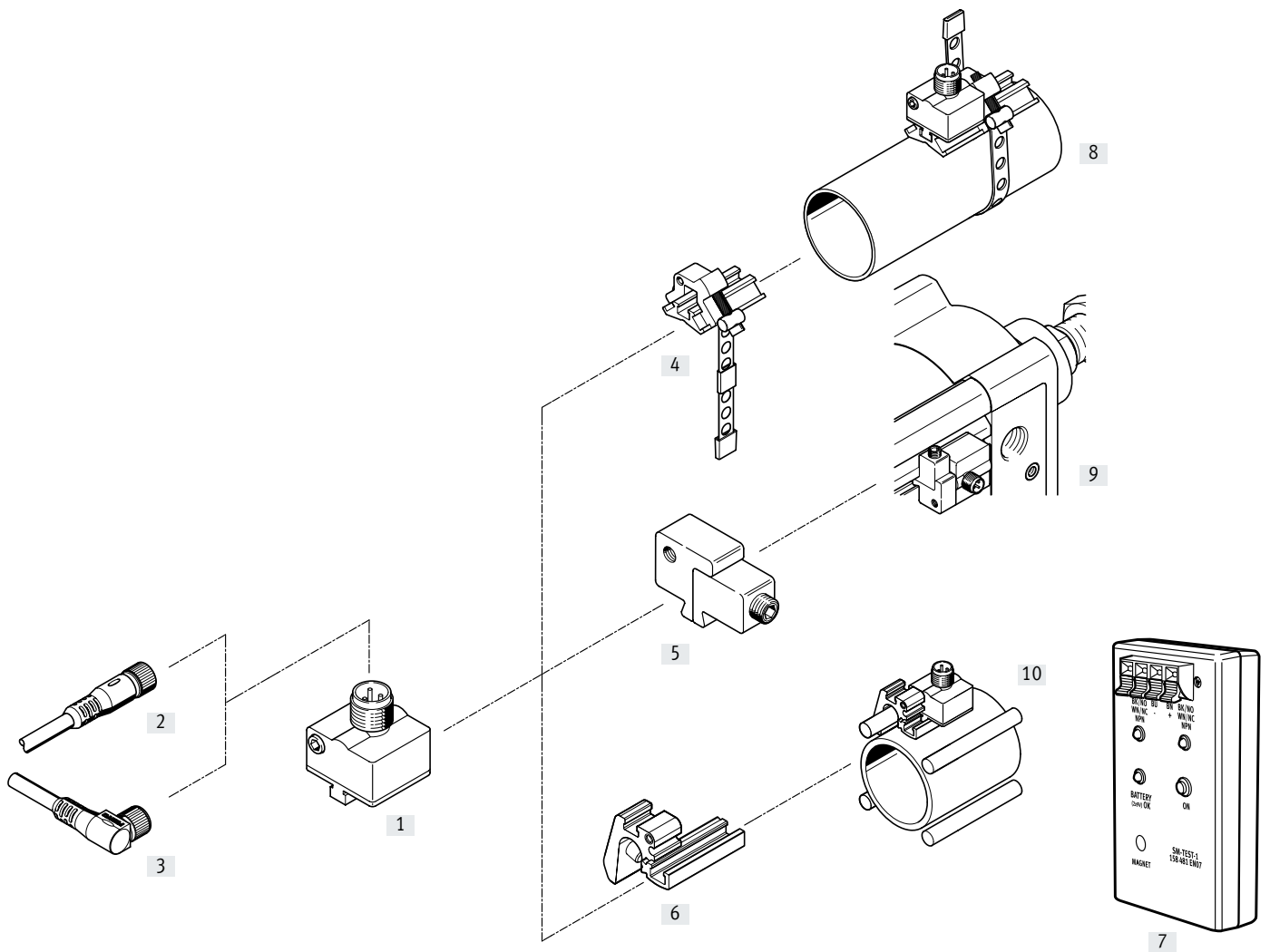


Suitable



Not suitable

Peripherals overview



Peripherals overview

Mounting attachments and accessories		→ Page	Mounting attachments and accessories		→ Page
Proximity switches			Mounting kits and accessories		
[1]	SMT0/SMTSO, with plug	6	[4]	Mounting kit SMBR-8-8/100-S6, heat resistant	12
			[5]	Mounting kit SMB-8E	12
			[6]	Mounting SMBZ-8-...	13
			[7]	Sensor tester SM-TEST-1	14
			-	Positioning element SMM-8	13
			-	Clip SMBK-8	14
			-	Inscription label ASLR	14
			-	Safety clip NEAU	14
Connecting cables			Drives		
[2]	NEBU-M...G...	14	[24]	Drives with T-slot	-
[3]	NEBU-M...W...	14	[25]	Round cylinders	-
			[26]	Standards-based cylinder DSBC	-
			[27]	Drives with tie or mounting rod	-
			[28]	Standards-based cylinder DSBF	-
			[29]	Hinge cylinder DFAW	-

Type codes

001	Series	
SMT0	Proximity sensor, magnetoresistive	
002	Design type	
8	For T-slot	
003	Sensor version	
E	Mounting with accessories	
004	Switching output	
NS	3-wire NPN N/O contact	
PS	3-wire PNP N/O contact	

005	Electrical connection, cable length	
S	Plug M8x1 with cable, 0.3 m	
M12		
006	Display	
L	LED	
007	Nominal operating voltage	
1	24 V DC	

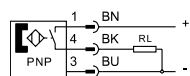
001	Series	
SMTSO	Proximity sensor, magneto-inductive, welding field immune	
002	Design type	
8	For T-slot	
003	Sensor version	
E	Mounting with accessories	
004	Switching output	
NS	3-wire NPN N/O contact	
PS	3-wire PNP N/O contact	

005	Electrical connection	
M12	Plug M12, A-coded	
006	Display	
L	LED	
007	Nominal operating voltage	
1	24 V DC	

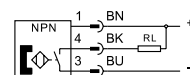
Data sheet – Magneto-resistive

Function

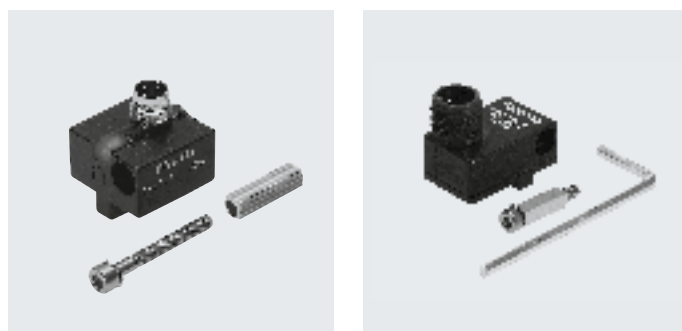
PNP, N/O contact with plug



NPN, N/O contact with plug



- Magneto-resistive measuring principle
- Welding-field-resistant designs



General technical data		
Type	SMT0-8E	SMTSO-8E, welding-field-resistant
Design	For T-slot	
Certification	RCM compliance mark	
CE marking (see declaration of conformity)	To EU EMC Directive ¹⁾	
Note on materials	Free of copper and PTFE	
	RoHS-compliant	–

- 1) For information about the area of use, see the EC declaration of conformity at: www.festo.com/sp → Certificates.
If the devices are subject to usage restrictions in residential, commercial or light-industrial environments, further measures for the reduction of the emitted interference may be necessary.

Input signal/measuring element		
Type	SMT0-8E	SMTSO-8E, welding-field-resistant
Measuring principle	Magneto-resistive	
Ambient temperature [°C]	–20 ... +60	–25 ... +70

Switching output				
Type	SMT0-8E		SMTSO-8E, welding-field-resistant	
Switching output	PNP	NPN	PNP	NPN
Switching element function	N/O contact			
Repetition accuracy [mm]	0.2			
Reproducibility of switching value [mm]	±0.1			
Switch-on time [ms]	0 ... 1.3		0 ... 38	
Switch-off time [ms]	0 ... 1.4		0 ... 20	
Max. output current [mA]	100		200	
Max. switching capacity DC [W]	2.8		6	
Voltage drop [V]	0 ... 1.8		0 ... 1.8	0 ... 3
Residual current [mA]	0.01	0.15	0.01	

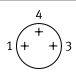
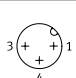
Output, additional data				
Type	SMT0-8E		SMTSO-8E, welding-field-resistant	
Switching output	PNP	NPN	PNP	NPN
Short circuit current rating	Yes		Yes	Pulsed
Overload protection	Present			

Electronics		
Operating voltage range DC [V]	10 ... 30	
Reverse polarity protection	For all electrical connections	

Data sheet – Magneto-resistive

Electromechanics		SMT0-8E-...S	SMT0-8E-...M12	SMTSO-8E-...M12, welding-field-resistant
Type				
Electrical connection		Plug M8x1, 3-pin	Plug M12x1, 3-pin	Plug M12x1, 3-pin
Connection technology		M8x1, A-coded to EN 61076-2-104	M12x1, A-coded to EN 61076-2-101	M12x1, A-coded to EN 61076-2-101
Number of pins/wires		3	3	3
Type of mounting		–	–	Screw-type lock
Outlet direction of connection		Lateral		
Max. tightening torque, plug	[Nm]	0.3	0.5	0.5

Pin allocation to EN 60947-5-2

M8x1, 3-pin N/O contact				M12x1, 3-pin N/O contact			
	Pin	Wire colour	Allocation		Pin	Wire colour	Allocation
	1	Brown	+		1	Brown	+
	3	Blue	–		3	Blue	–
	4	Black	Output		4	Black	Output

Mechanics		SMT0-8E-...S	SMT0-8E-...M12	SMTSO-8E-...M12, welding-field-resistant
Type				
Type of mounting		Clamped in T-slot		
		Inserted in the slot from above		
		With accessories		
Tightening torque	[Nm]	1	0.5	0.5
Information on materials: Housing		TPE-U(PU)	TPE-U(PU)	TPE-U(PU)
		Nickel-plated brass	High-alloy stainless steel	High-alloy stainless steel
		–	Wrought aluminium alloy	Wrought aluminium alloy
		–	–	PA

Display/operation	
Switching status indication	Yellow LED

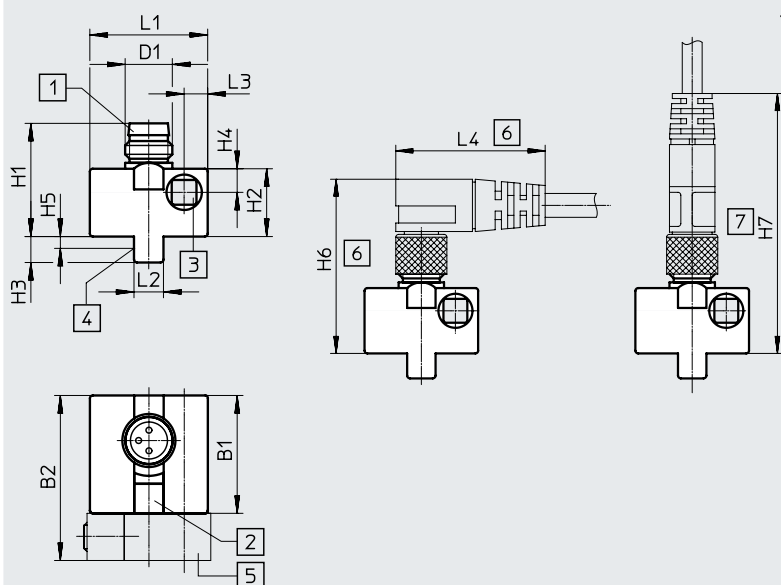
Immission/emission		SMT0-8E-...S	SMT0-8E-...M12	SMTSO-8E-...M12, welding-field-resistant
Type				
Degree of protection		IP65		
		IP67		
Resistance to interference from magnetic fields		–	–	Alternating magnetic field 45 ... 65 Hz

Data sheet – Magneto-resistive

Dimensions

Download CAD data → www.festo.com

SMT0-8E...-S-LED-24 – Plug M8x1



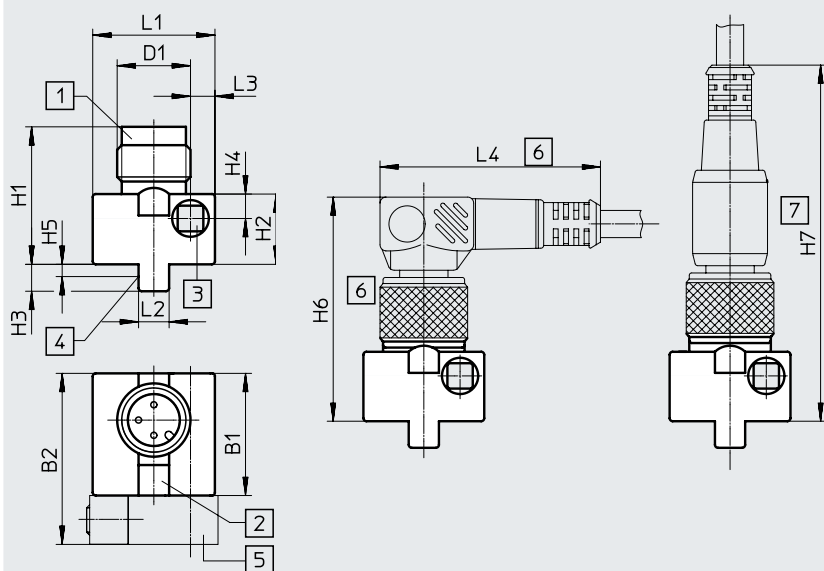
- [1] Suitable for plug socket type SIM-M8
- [2] Yellow light emitting diode
- [3] Socket head screw M3x25 DIN 912, max. tightening torque 1 Nm
- [4] Theoretical switching point
- [5] Mounting kit SMB-8E (not included in scope of delivery)
- [6] Installation space for angled plug socket 90°
- [7] Installation space for straight plug socket

	B1 ±0.3	B2	D1	H1	H2 ±0.27	H3	H4	H5	H6	H7	L1 ±0.3	L2	L3	L4
SMT0-8E...-S-LED-24	20	28	M8x1	19.2	11.5	4.4	4	2.2	~32	~46	20	5	4	~26

Dimensions

Download CAD data → www.festo.com

SMT0-8E--M12-LED-24 – Plug M12x1



- [1] Suitable for plug socket type SIM-M12
- [2] Yellow light emitting diode
- [3] Socket head screw M3x25 DIN 912, max. tightening torque 1 Nm
- [4] Theoretical switching point
- [5] Mounting kit SMB-8E (not included in scope of delivery)
- [6] Installation space for angled plug socket 90°
- [7] Installation space for straight plug socket

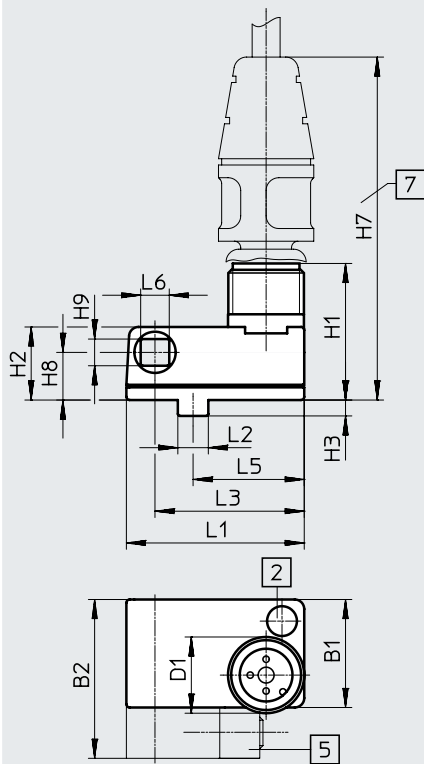
	B1 ±0.3	B2	D1	H1 ±0.34	H2 ±0.27	H3	H4	H5	H6	H7	L1 ±0.3	L2	L3	L4
SMT0-8E...-M12-LED-24	20	28	M12x1	22.5	11.5	4.4	4	2.2	~36	~59	20	5	4	~36.5

Data sheet – Magneto-resistive

Dimensions

Download CAD data → www.festo.com

SMTSO-8E...-M12-LED-24 – Plug M12x1





- [2] Yellow light emitting diode
- [5] Mounting kit SMB-8E (included in the scope of delivery)
- [7] Installation space for connecting cable NEBU-M12G5

	B1	B2	D1	H1 +0.5	H2	H3 ±0.2	H7	H8	H9	L1	L2	L3	L5	L6
SMT0-8E- ... -M12-LED-24	17	24.8	M12x1	21.5	11.5	2.5	~56	7.5	4.2	28	4.8	23.5	17.5	4.5

Ordering data

	Switching output	Electrical connection		Weight [g]	Part no.	Type
		Plug M8x1	Plug M12x1			
N/O contact, basic version						
	PNP	3-pin	–	12	171178	SMT0-8E-PS-S-LED-24
		–	3-pin		171179	SMT0-8E-PS-M12-LED-24
	NPN	3-pin	–		171166	SMT0-8E-NS-S-LED-24
		–	3-pin		171176	SMT0-8E-NS-M12-LED-24
N/O contact, welding-field-resistant						
	PNP	–	3-pin	19	191986	SMTSO-8E-PS-M12-LED-24
	NPN	–	3-pin	10	175825	SMTSO-8E-NS-M12-LED-24

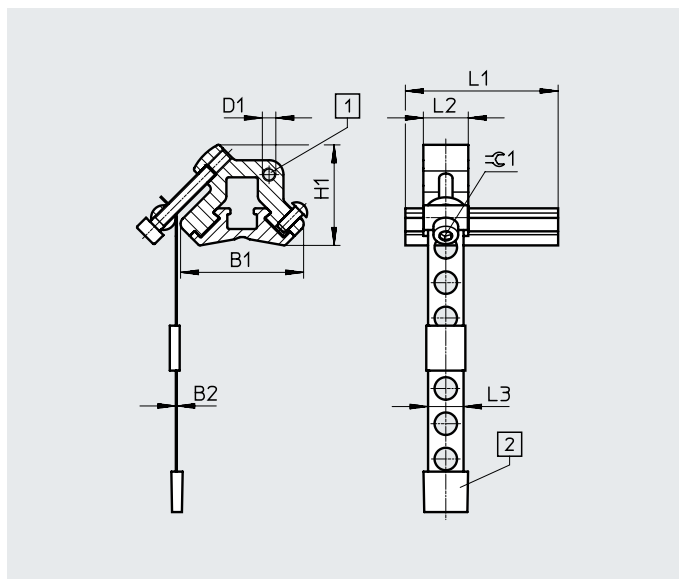
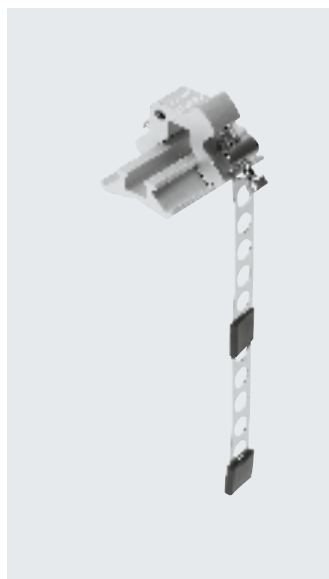
Data sheet – Magneto-resistive

Accessories – Connecting cables					
	Switching output	Cable length [m]	Weight [g]	Part no.	Type
Resistant to welding spatter					
	3-wire, M12x1 socket, straight	3	-	30450	SIM-M12-RS-3GD-3
	3-wire, M12x1 socket, angled	3	-	30451	SIM-M12-RS-3WD-3

Accessories

Mounting kit SMBR-8-8/100-S6

Material:
 Rail: Anodised wrought aluminium alloy
 Clamping strap, screws: High-alloy stainless steel
 Free of copper and PTFE
 RoHS-compliant



Dimensions and ordering data

For piston \varnothing	B1	B2	D1	H1	L1	L2	L3	$\approx \varnothing 1$	CRC ¹⁾	Part no.	Type
8 ... 100	27.4	0.2	M3	22.4	34	10	7.9	2.5	4	★ 538937	SMBR-8-8/100-S6

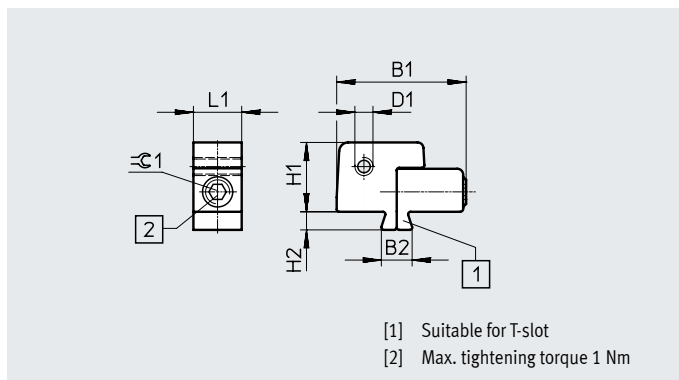
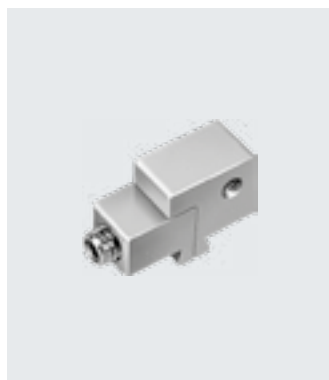
1) Corrosion resistance class CRC 4 to Festo standard FN 940070

Particularly high corrosion stress. Outdoor exposure under extreme corrosive conditions. Parts exposed to aggressive media, e.g. in the chemical or food industries. Such applications may need to be safeguarded by means of special testing (→ also FN 940082), using appropriate media.

Mounting kit SMB-8E

Material:
 Anodised aluminium, stainless steel

Note on materials: RoHS-compliant



Ordering data

For piston \varnothing	B1	B2	D1	H1	H2	L1	$\approx \varnothing 1$	Part no.	Type
10 ... 125	21.5	5.1	M3	11.5	3	8	2.5	178230	SMB-8E



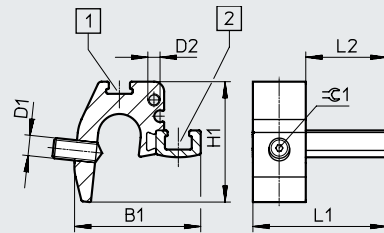
Accessories

Mounting SMBZ-8-...

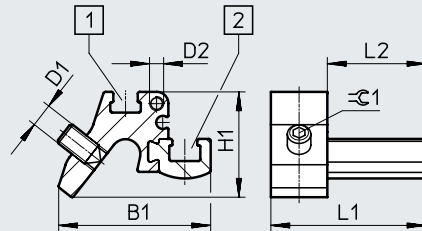
Material:
 Rail: Anodised wrought aluminium alloy
 Screws: high-alloy stainless steel
 Free of copper and PTFE
 RoHS-compliant



SMBZ-8-32/100



SMBZ-8-125/320



[1] Slot for inscription label
 [2] Slot for proximity switch

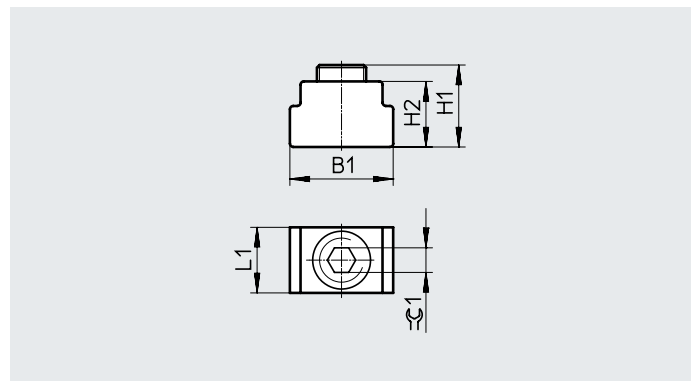
Dimensions and ordering data									
For piston \varnothing	B1	D1	D2	H1	L1	L2	$\varnothing C1$	Part no.	Type
32 ... 100	31	M5	M3	30	33	20	1.5	537806	SMBZ-8-32/100
125 ... 320	32.3			22			2.5	537808	SMBZ-8-125/320

Positioning element SMM

Insertable in the slot lengthwise

Ambient temperature: $-40 \dots +120^{\circ}\text{C}$

Materials:
 Housing: Anodised wrought aluminium alloy
 Screws: High-alloy stainless steel
 Note on materials: RoHS-compliant







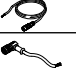
Dimensions and ordering data									
B1	H1	H2	L1	$\varnothing C1$	CRC ¹⁾	Part no.	Type	PU ²⁾	
6.3	5.0	4.0	4.0	1.5	3	547941	SMM-8	10	


1) Corrosion resistance class CRC 3 to Festo standard FN 940070

High corrosion stress. Outdoor exposure under moderate corrosive conditions. Externally visible parts with primarily functional surface requirements which are in direct contact with a normal industrial environment.

2) Packaging unit


Accessories

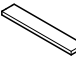
Ordering data – Connecting cables		Number of wires	Cable length [m]	Part no.	Type	Data sheets → Internet: nebu/sim
Socket M8x1, 3-pin						
	For SMT/SME-8... and SMT0/SMTSO/SME0-8E	3	2.5	★ 541333	NEBU-M8G3-K-2.5-LE3	
			5	★ 541334	NEBU-M8G3-K-5-LE3	
	For SMT/SME-8... and SMT0/SMTSO/SME0-8E	3	2.5	★ 541338	NEBU-M8W3-K-2.5-LE3	
			5	★ 541341	NEBU-M8W3-K-5-LE3	
Socket M12x1, 5-pin						
	For SMT/SME-8M and SMT0/SMTSO/SME0-8E	3	2.5	★ 541363	NEBU-M12G5-K-2.5-LE3	
			5	★ 541364	NEBU-M12G5-K-5-LE3	
	For SMT/SME-8M and SMT0/SMTSO/SME0-8E	3	2.5	541367	NEBU-M12W5-K-2.5-LE3	
			5	541370	NEBU-M12W5-K-5-LE3	
Socket M12x1, resistant to welding spatter						
	For SDBT and SMTSO	3	3	30450	SIM-M12-RS-3GD-3	
				30451	SIM-M12-RS-3WD-3	

Ordering data – Safety clip for ATEX zone					
	Size	Description	Part no.	Type	PU ¹⁾
	M8	<ul style="list-style-type: none"> Protects "equipment that is not intrinsically safe" in zones 2 and 22 against simple disconnection ATEX category: gas: II 3G / dust: II 3D 	548067	NEAU-M8-GD	1
	M12		548068	NEAU-M12-GD	1

1) Packaging unit

Ordering data – Mounting components			
	Description	Part no.	Type
	For fixing connecting cables in place	534254	SMBK-8

Ordering data – Sensor tester			
	Description	Part no.	Type
	<ul style="list-style-type: none"> Testing the functionality of proximity switches using the integrated voltage supply Adjusting proximity switches on the cylinder 	158481	SM-TEST-1

Ordering data – Inscription labels				
	Size	Part no.	Type	PU ¹⁾
	23x4 mm	541598	ASLR-L-423	34

1) Packaging unit