

Metric

Inch

Filter-Regulator, Type LFR - Basic Version

1/8" – 1"

Filter-Regulator

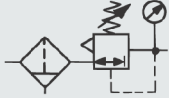
with Metal Bowl Guard,
Locking Regulator Head and Gauge

with manual bowl drain

Type LFR-...-D-...-NPT

with integrated, automatic bowl drain

Type LFR-...-D-...-A-NPT



Accessories:

Mounting brackets, Type HFOE-.../HR-...

Pressure Gauges, Type MA-.../SDE1-...

Standard 40 micron filter cartridge,
Type LF/LFR-...

5 micron filter cartridge, Type LFP-...

Threaded bolt Type FRB-... used to
combine a D-Series single unit with a
Filter-Regulator Unit.



Filter, pressure regulator, and gauge are combined in a single unit.

The sintered filter equipped with water separator cleans the compressed air of impurities, rust, pipe deposits and condensation.

For special applications the standard 40 micron filter cartridge may easily be replaced by a 5 micron filter cartridge.

The pressure regulator with secondary ventilation maintains a constant operating pressure (secondary side) despite fluctuations in line pressure (primary side) and the amount of air consumed.

Units are available in two working pressure ranges: 174 psi / 12 bar and 102 psi / 7 bar. Select the working pressure range closest to the application's maximum operating pressure for the highest achievable flow rate.

Note: The Pressure Signal Conversion Unit, Type PENV-A-... can be used as a digital-readout pressure indicator assembly on Filter-Regulator Units.

Filter-Regulator Units can be ordered without pressure gauges.



Regulator-Regulator, Type LFR - Basic Version

1/8" – 1" NPT

Order Number	Filter-Regulator	173756	173764	173772	173780	173788	173796	173804	173812
Part No. / Type	Manual Bowl Drain	LFR-1/8-D-MINI-NPT	LFR-1/4-D-MINI-NPT	LFR-3/8-D-MINI-NPT	LFR-3/8-D-MIDI-NPT	LFR-1/2-D-MIDI-NPT	LFR-3/4-D-MIDI-NPT	LFR-3/4-D-MAXI-NPT	LFR-1-D-MAXI-NPT
Pressure Range 12 bar									
Filtration 40 Micron	Filter-Regulator Automatic Bowl Drain	173757	173765	173773	173781	173789	173797	173805	173813
		LFR-1/8-D-MINI-A-NPT	LFR-1/4-D-MINI-A-NPT	LFR-3/8-D-MINI-A-NPT	LFR-3/8-D-MIDI-A-NPT	LFR-1/2-D-MIDI-A-NPT	LFR-3/4-D-MIDI-A-NPT	LFR-3/4-D-MAXI-A-NPT	LFR-1-D-MAXI-A-NPT
Pressure Range 7 bar	Filter-Regulator Manual Bowl Drain	173762	173770	173778	173786	173794	173802	173810	173818
Filtration 40 Micron		LFR-1/8-D-7-MINI-NPT	LFR-1/4-D-7-MINI-NPT	LFR-3/8-D-7-MINI-NPT	LFR-3/8-D-7-MIDI-NPT	LFR-1/2-D-7-MIDI-NPT	LFR-3/4-D-7-MIDI-NPT	LFR-3/4-D-7-MAXI-NPT	LFR-1-D-7-MAXI-NPT
	Filter-Regulator Automatic Bowl Drain	173763	173771	173779	173787	173795	173803	173811	173819
		LFR-1/8-D-7-MINI-A-NPT	LFR-1/4-D-7-MINI-A-NPT	LFR-3/8-D-7-MINI-A-NPT	LFR-3/8-D-7-MIDI-A-NPT	LFR-1/2-D-7-MIDI-A-NPT	LFR-3/4-D-7-MIDI-A-NPT	LFR-3/4-D-7-MAXI-A-NPT	LFR-1-D-7-MAXI-A-NPT
Pressure Range 12 bar	Filter-Regulator Manual Bowl Drain	173760	173768	173776	173784	173792	173800	173808	173816
Filtration 5 Micron		LFR-1/8-D-5M-MINI-NPT	LFR-1/4-D-5M-MINI-NPT	LFR-3/8-D-5M-MINI-NPT	LFR-3/8-D-5M-MIDI-NPT	LFR-1/2-D-5M-MIDI-NPT	LFR-3/4-D-5M-MIDI-NPT	LFR-3/4-D-5M-MAXI-NPT	LFR-1-D-5M-MAXI-NPT
	Filter-Regulator Automatic Bowl Drain	173761	173769	173777	173785	173793	173801	173809	173817
		LFR-1/8-D-5M-MINI-A-NPT	LFR-1/4-D-5M-MINI-A-NPT	LFR-3/8-D-5M-MINI-A-NPT	LFR-3/8-D-5M-MIDI-A-NPT	LFR-1/2-D-5M-MIDI-A-NPT	LFR-3/4-D-5M-MIDI-A-NPT	LFR-3/4-D-5M-MAXI-A-NPT	LFR-1-D-5M-MAXI-A-NPT
	Mounting Brackets	159638 HFOE-D-MINI			159593 HFOE-D-MIDI / MAXI				
		164936 HR-D-MINI			162804 HR-D-MIDI			162805 HR-D-MAXI	
	Filter Cartridge (5 micron)	159640 LFP-D-MINI-5M			159594 LFP-D-MIDI-5M			159641 LFP-D-MAXI-5M	
	Adapter for Pressure Signal Conversion Unit	161207 PENV-A-H-1/8-D			161208 PENV-A-H-3/8-D				
	Threaded Bolt Set	159642 FRB-D-MINI			159595 FRB-D-MIDI			159643 FRB-D-MAXI	
Medium	Compressed air								
Design	Sintered filter with water separator								
Mounting	In line assembly or mounting brackets								
Assembly Position	Vertical ± 5°								
Connection	1/8" NPT	1/4" NPT	3/8" NPT	3/8" NPT	1/2" NPT	3/4" NPT	3/4" NPT	1" NPT	
Nominal Flow*	LFR-...-D-...	27 scfm / 750 l/min	49 scfm / 1400 l/min	57 scfm / 1600 l/min	109 scfm / 3100 l/min	120 scfm / 3400 l/min	120 scfm / 3400 l/min	343 scfm / 9700 l/min	353 scfm / 10000 l/min
	LFR-...-D-7-..	32 scfm / 900 l/min	53 scfm / 1500 l/min	60 scfm / 1700 l/min	120 scfm / 3400 l/min	138 scfm / 3900 l/min	141 scfm / 4000 l/min	353 scfm / 10000 l/min	388 scfm / 11000 l/min
	LFR-...-D-5M-...	23 scfm / 650 l/min	42 scfm / 1200 l/min	48 scfm / 1350 l/min	85 scfm / 2400 l/min	88 scfm / 2500 l/min	92 scfm / 2600 l/min	268 scfm / 7600 l/min	283 scfm / 8000 l/min
Primary Pressure Range	Manual Bowl Drain	15 to 240 psi / 1 to 16 bar							
	Automatic Bowl Drain**	22 to 180 psi / 1.5 to 12 bar							
Working Pressure Range	7.5 to 180 psi / 0.5 to 12 bar or 7.5 to 105 psi / 0.5 to 7 bar								
Filter Pore Size	Standard: 40 micron; cartridge Type LFP: average pore size: 5 micron								
Max. Bowl Capacity	13 cu in / 22 ml				26 cu in / 43 ml			49 cu in / 80 ml	
Temperature Range	14 to 140°F / -10 to +60°C								
Materials	Housing: GD-Zn; Filter bowl: Polycarbonate; Metal bowl guard: Al; Seals: Buna N; Adjustment knob: PA 6								
Weight	1.014 lb / 0.460 kg				2.028 lb / 0.920 kg			3.020 lb / 1.370 kg	3.241 lb / 1.470 kg

* At upstream pressure 150 psi / 10 bar, operating pressure 90 psi / 6 bar, and $\Delta p = 15$ psi / 1 bar. With 5 micron filter cartridge, flow is approx. 20% less.

** A minimum flow of 4 scfm / 125 l/min is required for the proper result.

Delivery: Short lead time

Regulator-Regulator, Type LFR - Basic Version

G $\frac{1}{8}$ - G1 ISO

Order Number	Filter-Regulator	159630	159631	162682	159582	159584	162683	159632	159633
Part No. / Type	Manual Bowl Drain	LFR-1/8-D-MINI	LFR-1/4-D-MINI	LFR-3/8-D-MINI	LFR-3/8-D-MIDI	LFR-1/2-D-MIDI	LFR-3/4-D-MIDI	LFR-3/4-D-MAXI	LFR-1-D-MAXI
Pressure Range 12 bar									
Filtration 40 Micron	Filter-Regulator Automatic Bowl Drain	159634	159635	162684	159583	159585	162685	159636	159637
		LFR-1/8-D-MINI-A	LFR-1/4-D-MINI-A	LFR-3/8-D-MINI-A	LFR-3/8-D-MIDI-A	LFR-1/2-D-MIDI-A	LFR-3/4-D-MIDI-A	LFR-3/4-D-MAXI-A	LFR-1-D-MAXI-A
Pressure Range 7 bar	Filter-Regulator Manual Bowl Drain	162702	162703	162704	162705	162706	162707	162708	162709
Filtration 40 Micron		LFR-1/8-D-7-MINI	LFR-1/4-D-7-MINI	LFR-3/8-D-7-MINI	LFR-3/8-D-7-MIDI	LFR-1/2-D-7-MIDI	LFR-3/4-D-7-MIDI	LFR-3/4-D-7-MAXI	LFR-1-D-7-MAXI
	Filter-Regulator Automatic Bowl Drain	162710	162711	162712	162713	162714	162715	162716	162717
		LFR-1/8-D-7-MINI-A	LFR-1/4-D-7-MINI-A	LFR-3/8-D-7-MINI-A	LFR-3/8-D-7-MIDI-A	LFR-1/2-D-7-MIDI-A	LFR-3/4-D-7-MIDI-A	LFR-3/4-D-7-MAXI-A	LFR-1-D-7-MAXI-A
Pressure Range 12 bar	Filter-Regulator Manual Bowl Drain	162718	162719	162720	162721	162722	162723	162724	162725
Filtration 5 Micron		LFR-1/8-D-5M-MINI	LFR-1/4-D-5M-MINI	LFR-3/8-D-5M-MINI	LFR-3/8-D-5M-MIDI	LFR-1/2-D-5M-MIDI	LFR-3/4-D-5M-MIDI	LFR-3/4-D-5M-MAXI	LFR-1-D-5M-MAXI
	Filter-Regulator Automatic Bowl Drain	162726	162727	162728	162729	162730	162731	162732	162733
		LFR-1/8-D-5M-MINI-A	LFR-1/4-D-5M-MINI-A	LFR-3/8-D-5M-MINI-A	LFR-3/8-D-5M-MIDI-A	LFR-1/2-D-5M-MIDI-A	LFR-3/4-D-5M-MIDI-A	LFR-3/4-D-5M-MAXI-A	LFR-1-D-5M-MAXI-A
	Mounting Brackets	159638 HFOE-D-MINI			159593 HFOE-D-MIDI / MAXI				
		164936 HR-D-MINI			162804 HR-D-MIDI			162805 HR-D-MAXI	
	Filter Cartridge (5 micron)	159640 LFP-D-MINI-5M			159594 LFP-D-MIDI-5M			159641 LFP-D-MAXI-5M	
	Adapter for Pressure Signal Conversion Unit	161207 PENV-A-H-1/8-D			161208 PENV-A-H-3/8-D				
	Threaded Bolt Set	159642 FRB-D-MINI			159595 FRB-D-MIDI			159643 FRB-D-MAXI	
Medium		Compressed air							
Design		Sintered filter with water separator							
Mounting		In line assembly or mounting brackets							
Assembly Position		Vertical $\pm 5^\circ$							
Connection		G 1/8 ISO	G 1/4 ISO	G 3/8 ISO	G 3/8 ISO	G 1/2 ISO	G 3/4 ISO	G 3/4 ISO	G 1 ISO
Nominal Flow*	LFR-...-D-...	27 scfm / 750 l/min	49 scfm / 1400 l/min	57 scfm / 1600 l/min	109 scfm / 3100 l/min	120 scfm / 3400 l/min	120 scfm / 3400 l/min	343 scfm / 9700 l/min	353 scfm / 10000 l/min
	LFR-...-D-7-...	32 scfm / 900 l/min	53 scfm / 1500 l/min	60 scfm / 1700 l/min	120 scfm / 3400 l/min	138 scfm / 3900 l/min	141 scfm / 4000 l/min	353 scfm / 10000 l/min	388 scfm / 11000 l/min
	LFR-...-D-5M-...	23 scfm / 650 l/min	42 scfm / 1200 l/min	48 scfm / 1350 l/min	85 scfm / 2400 l/min	88 scfm / 2500 l/min	92 scfm / 2600 l/min	268 scfm / 7600 l/min	283 scfm / 8000 l/min
Primary Pressure Range	Manual Bowl Drain	15 to 240 psi / 1 to 16 bar							
	Automatic Bowl Drain**	22 to 180 psi / 1.5 to 12 bar							
Working Pressure Range		7.5 to 180 psi / 0.5 to 12 bar or 7.5 to 105 psi / 0.5 to 7 bar							
Filter Pore Size		Standard: 40 micron; cartridge Type LFP: average pore size: 5 micron							
Max. Bowl Capacity		13 cu in / 22 ml			26 cu in / 43 ml			49 cu in / 80 ml	
Temperature Range		14 to 140°F / -10 to +60°C							
Materials		Housing: GD-Zn; Filter bowl: Polycarbonate; Metal bowl guard: Al; Seals: Buna N; Adjustment knob: PA 6							
Weight		1.014 lb / 0.460 kg			2.028 lb / 0.920 kg			3.020 lb / 1.370 kg	
								3.241 lb / 1.470 kg	

Delivery: Short lead time

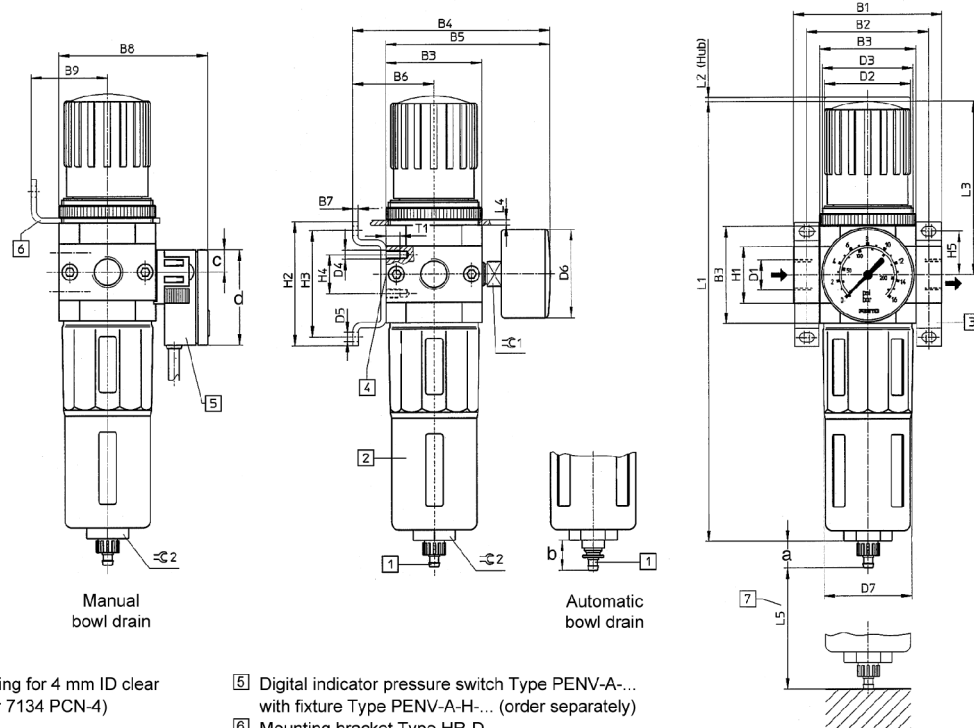
* At upstream pressure 150 psi / 10 bar, operating pressure 90 psi / 6 bar, and $\Delta p = 15$ psi / 1 bar. With 5 micron filter cartridge, flow is approx. 20% less.

** A minimum flow of 4 scfm / 125 l/min is required for the proper result.

Filter-Regulator, Type LFR - Basic Version

Dimensions

Type LFR-...-D-...



Dimensions

- a 0.59 in / 15 mm
- b 0.67 in / 17 mm
- c 0.51 in / 13 mm
- d 2.13 in / 54 mm

- 1 Drain connection: barbed fitting for 4 mm ID clear plastic tubing (Order number 7134 PCN-4)
- 2 Metal bowl guard
- 3 Mounting brackets Type HFOE-D-... (order separately)
- 4 Second pressure gauge connection
- 5 Digital indicator pressure switch Type PENV-A-... with fixture Type PENV-A-H-... (order separately)
- 6 Mounting bracket Type HR-D-... (order separately)
- 7 Clearance required to remove bowl for servicing

➔ Flow direction

Type Inch and Metric Series	B1 in / mm	B2 in / mm	B3 in / mm	B4 in / mm	B5 in / mm	B6 in / mm	B7 in / mm	B8 in / mm	B9 in / mm	D1 Thread
LFR-1/8-D-MINI-...	2.52 / 64	2.05 / 52	1.57 / 40	3.78 / 96	3.03 / 77	1.54 / 39	0.08 / 2	2.74 / 69.4	1.42 / 36	1/8 NPT / G 1/8 ISO
LFR-1/4-D-MINI-...	2.52 / 64	2.05 / 52	1.57 / 40	3.78 / 96	3.03 / 77	1.54 / 39	0.08 / 2	2.74 / 69.4	1.42 / 36	1/4 NPT / G 1/4 ISO
LFR-3/8-D-MINI-...	2.76 / 70	2.05 / 52	1.57 / 40	3.78 / 96	3.03 / 77	1.54 / 39	0.08 / 2	2.74 / 69.4	1.42 / 36	3/8 NPT / G 3/8 ISO
LFR-3/8-D-MIDI-...	3.35 / 85	2.76 / 70	2.17 / 55	4.45 / 113	3.70 / 94	1.85 / 47	0.12 / 3	3.33 / 84.5	1.73 / 44	3/8 NPT / G 3/8 ISO
LFR-1/2-D-MIDI-...	3.35 / 85	2.76 / 70	2.17 / 55	4.45 / 113	3.70 / 94	1.85 / 47	0.12 / 3	3.33 / 84.5	1.73 / 44	1/2 NPT / G 1/2 ISO
LFR-3/4-D-MIDI-...	3.35 / 85	2.76 / 70	2.17 / 55	4.45 / 113	3.70 / 94	1.85 / 47	0.12 / 3	3.33 / 84.5	1.73 / 44	3/4 NPT / G 3/4 ISO
LFR-3/4-D-MAXI-...	3.78 / 96	3.15 / 80	2.60 / 66	4.92 / 125	4.21 / 107	2.09 / 53	0.12 / 3	3.84 / 97.5	1.97 / 50	3/4 NPT / G 3/4 ISO
LFR-1-D-MAXI-...	4.57 / 116	3.58 / 91	2.60 / 66	4.92 / 125	4.21 / 107	2.09 / 53	0.12 / 3	3.84 / 97.5	1.97 / 50	1 NPT / G1 ISO
Type Inch and Metric Series	D2 dia in / mm	D3 Mounting Nut Thread	D4 Thread	D5 dia in / mm	D6 dia in / mm	D7 dia in / mm	H1 in / mm	H2 in / mm	H3 in / mm	H4 in / mm
LFR-1/8-D-MINI-...	1.22 / 31	M36 x 1.5	M4	0.17 / 4.3	1.61 / 41	1.50 / 38	0.79 / 20	1.69 / 43	1.38 / 35	0.43 / 11
LFR-1/4-D-MINI-...	1.22 / 31	M36 x 1.5	M4	0.17 / 4.3	1.61 / 41	1.50 / 38	0.79 / 20	1.69 / 43	1.38 / 35	0.43 / 11
LFR-3/8-D-MINI-...	1.22 / 31	M36 x 1.5	M4	0.17 / 4.3	1.61 / 41	1.50 / 38	0.79 / 20	1.69 / 43	1.38 / 35	0.43 / 11
LFR-3/8-D-MIDI-...	1.97 / 50	M52 x 1.5	M5	0.21 / 5.3	1.97 / 50	2.05 / 52	1.26 / 32	2.76 / 70	2.36 / 60	0.87 / 22
LFR-1/2-D-MIDI-...	1.97 / 50	M52 x 1.5	M5	0.21 / 5.3	1.97 / 50	2.05 / 52	1.26 / 32	2.76 / 70	2.36 / 60	0.87 / 22
LFR-3/4-D-MIDI-...	1.97 / 50	M52 x 1.5	M5	0.21 / 5.3	1.97 / 50	2.05 / 52	1.26 / 32	2.76 / 70	2.36 / 60	0.87 / 22
LFR-3/4-D-MAXI-...	1.22 / 31	M36 x 1.5	M5	0.21 / 5.3	1.97 / 50	2.56 / 65	1.26 / 32	2.76 / 70	2.36 / 60	0.87 / 22
LFR-1-D-MAXI-...	1.22 / 31	M36 x 1.5	M5	0.21 / 5.3	1.97 / 50	2.56 / 65	1.57 / 40	2.76 / 70	2.36 / 60	0.87 / 22
Type Inch and Metric Series	H5 in / mm	L1 in / mm	L2* in / mm	L3 in / mm	L5 min in / mm	T1 in / mm	∅C1	∅C2		
LFR-1/8-D-MINI-...	0.69 / 17.5	7.64 / 194	0.08 / 2	2.72 / 69	2.36 / 60	0.28 / 7	14	22		
LFR-1/4-D-MINI-...	0.69 / 17.5	7.64 / 194	0.08 / 2	2.72 / 69	2.36 / 60	0.28 / 7	14	22		
LFR-3/8-D-MINI-...	0.69 / 17.5	7.64 / 194	0.08 / 2	2.72 / 69	2.36 / 60	0.28 / 7	14	22		
LFR-3/8-D-MIDI-...	0.96 / 24.5	9.84 / 250	0.08 / 2	3.86 / 98	3.15 / 80	0.31 / 8	14	24		
LFR-1/2-D-MIDI-...	0.96 / 24.5	9.84 / 250	0.08 / 2	3.86 / 98	3.15 / 80	0.31 / 8	14	24		
LFR-3/4-D-MIDI-...	0.96 / 24.5	9.84 / 250	0.08 / 2	3.86 / 98	3.15 / 80	0.31 / 8	14	24		
LFR-3/4-D-MAXI-...	0.96 / 24.5	9.92 / 252	0.08 / 2	3.23 / 82	3.54 / 90	0.31 / 8	14	24		
LFR-1-D-MAXI-...	0.96 / 24.5	9.92 / 252	0.08 / 2	3.23 / 82	3.54 / 90	0.31 / 8	14	24		

* Distance regulating knob must be lifted to make adjustment.

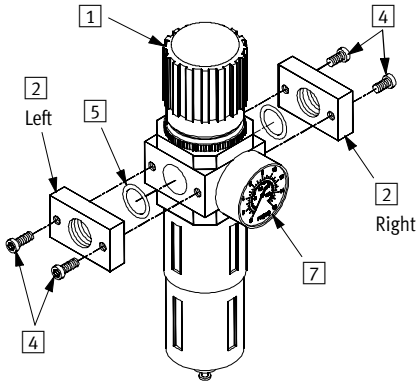
Metric

Inch

Ship-From-Stock Component Program

D-Series Service Units Port Sizes 1/8" to 3/8"

Ordering via the Ship-From-Stock Component Program allows for off-the-shelf availability of the components required to assemble a complete air preparation unit.



A complete filter regulator assembly consists of the following items:

Item	Description	Qty Required per Assy
1	Main Unit	1
2	Port Block	2 [one left, one right]
4	Port Block Screw	4
5	Port Block Seal	3
6	Mounting Bracket Kit [Not shown]	1

Note: Item 3, joining rods, are not needed in this assembly. Most combinations use 2 Port Block Seals [Item 5]. Some use 3. It is recommended to order 3.

Step 1: Based upon the required Port Size, Maximum Output Pressure, Maximum Flow, Filtration Level, Drain Type, and Thread Type, select the Main Unit [Item 1] and the Left and Right Port Block [Item 2]. Note the Product Type/Description for the next step.

Port size	Max. Output Pressure [bar/psi]	Max. Flow (l/min/scfm)	Filtration Level [µm]	Drain	Item		Item		Gauge [If required]	Product Type/Description		
					1	2	7					
					Main Unit	NPT Thread Left Connection Port Block	Right Connection Port Block	BSP Thread Left Connection Port Block			Right Connection Port Block	
1/8	7/102	900/31.8	40	Man.	127 305	372 030	372 038	380 285	380 287	359 874	LFR-...-D-MINI-...	
					127 306							
	12/174	750/26.5	5	Man.	123 587	-	-	380 902	380 903	345 395		
					123 589							
		650/22.9	5	Auto	127 303	-	-	380 902	380 903	356 759		
					127 304							
1/4	7/102	1400/49.4	40	Man.	127 305	372 031	372 039	380 289	380 295	359 874	LFR-...-D-MIDI-...	
					127 306							
		2100/74.2	5	Man.	127 312	-	-	380 902	380 903	359 873		
					127 313							
	12/174	1500/52.9	5	Man.	123 587	372 031	372 039	380 289	380 291	345 395		LFR-...-D-MINI-...
					123 589							
		2000/70.6	5	Man.	120 518	-	-	380 902	380 903	356 759		
					120 519							
		1200/42.4	5	Auto	127 303	372 031	372 039	380 289	380 291	345 395		
					127 304							
		1600/56.5	5	Man.	127 310	-	-	380 902	380 903	356 759		
					127 311							
3/8	7/102	1700/60.0	40	Man.	127 305	372 032	372 040	380 293	380 295	359 874	LFR-...-D-MINI-...	
					127 306							
		3200/113.0	5	Man.	127 312	372 035	372 043	380 297	380 299	359 873		
					127 313							
	12/174	1600/56.5	5	Man.	123 587	372 032	372 040	380 293	380 295	345 395		LFR-...-D-MINI-...
					123 589							
		3100/109.5	5	Man.	120 518	372 035	372 043	380 297	380 299	356 759		
					120 519							
		1350/47.7	5	Auto	127 303	372 032	372 040	380 293	380 295	345 395		
					127 304							
		2400/84.8	5	Man.	127 310	372 035	372 043	380 297	380 299	356 759		
					127 311							

☐ Not available

Next...Step 2

Inch

Metric

Filter Regulator Selector Guide

D-Series Service Units Port Sizes 1/8" to 3/8"

Step 2: Based upon the Product Type/Description from Step 1, select the Port Block Screws [Item 4], the Port Block Seals [Item 5], and the Mounting Bracket Kit [Item 6].

	Item 4	5	6 [Not shown]
Product Type/ Description	Port Block Screw	Port Block Seal	Mounting Bracket Kit
LFR-...-D-MINI-...	200 664	235 260	159 638
LFR-...-D-MIDI-...	202 824	200 950	159 593

Step3: Determine the appropriate quantity of each Item.

Ordering Example:

Required: 1/4 port size, 8 bar output pressure, 1800 l/min flow, 40µm filtration, automatic drain, BSP threads.

	Item	Part No.	Qty	Description
Order:	1	120 519	1	Main Unit
	2	380 902	1	Left Port Block
		380 903	1	Right Port Block
	4	202 824	4	Port Block Screws
	5	200 950	3	Port Block Seals
	6	159 593	1	Mounting Bracket Kit

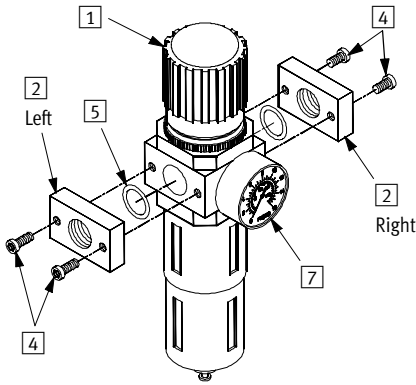
Metric

Inch

Ship-From-Stock Component Program

D-Series Service Units Port Sizes 1/2" to 1"

Ordering via the Ship-From-Stock Component Program allows for off-the-shelf availability of the components required to assemble a complete air preparation unit.



A complete filter regulator assembly consists of the following items:

Item	Description	Qty Required per Assy
1	Main Unit	1
2	Port Block	2 [one left, one right]
4	Port Block Screw	4
5	Port Block Seal	3
6	Mounting Bracket Kit [Not shown]	1

Note: Item 3, joining rods, are not needed in this assembly. Most combinations use 2 Port Block Seals [Item 5]. Some use 3. It is recommended to order 3.

Step 1: Based upon the required Port Size, Maximum Output Pressure, Maximum Flow, Filtration Level, Drain Type, and Thread Type, select the Main Unit [Item 1] and the Left and Right Port Block [Item 2]. Note the Product Type/Description for the next step.

Port size	Max. Output Pressure [bar/psi]	Max. Flow (l/min/sfcm)	Filtration Level [µm]	Drain	Item		Item		Gauge [If required]	Product Type/Description		
					1	2	7					
					Main Body	NPT Thread Left Connec- tion Port Block	Right Connec- tion Port Block	BSP Thread Left Connec- tion Port Block	Right Connec- tion Port Block			
1/2	7/102	3900/137.7	40	Man.	127 312	372 033	372 041	380 301	380 303	359 873	LFR-...-D-MIDI-...	
				Auto	127 313						LFR-...-D-MAXI-...	
		9500/335.5		Man.	127 319	-	-	381 529	381 530		LFR-...-D-MAXI-...	
				Auto	127 320							
	12/174	3400/120.1	40	Man.	120 518	372 033	372 041	380 301	380 303	356 759	LFR-...-D-MIDI-...	
				Auto	120 519						LFR-...-D-MAXI-...	
		9400/331.9		Man.	124 085	-	-	381 529	381 530		LFR-...-D-MAXI-...	
				Auto	124 086							
	2500/88.3	5	5	Man.	127 310	372 033	372 041	380 301	380 303	356 759	LFR-...-D-MIDI-...	
				Auto	127 311						LFR-...-D-MAXI-...	
		7580/267.7		Man.	127 317	-	-	381 529	381 530		LFR-...-D-MAXI-...	
				Auto	127 318							
3/4	7/102	4000/141.3	40	Man.	127 312	372 034	372 042	380 305	380 307	359 873	LFR-...-D-MIDI-...	
				Auto	127 313						LFR-...-D-MAXI-...	
		10000/353.2		Man.	127 319	372 036	372 044	380 309	380 311		LFR-...-D-MAXI-...	
				Auto	127 320							
	12/174	3400/120.1	40	Man.	123 518	372 034	372 042	380 305	380 307	356 759	LFR-...-D-MIDI-...	
				Auto	123 519						LFR-...-D-MAXI-...	
		9700/342.6		Man.	124 085	372 036	372 044	380 309	380 311		LFR-...-D-MAXI-...	
				Auto	124 086							
	2600/91.8	5	5	Man.	127 310	372 034	372 042	380 305	380 307	356 759	LFR-...-D-MIDI-...	
				Auto	127 311						LFR-...-D-MAXI-...	
		7600/268.4		Man.	127 317	372 036	372 044	380 309	380 311		LFR-...-D-MAXI-...	
				Auto	127 318							
1	7/102	11000/388.5	40	Man.	127 319	372 037	372 045	380 313	380 315	359 873	LFR-...-D-MIDI-...	
				Auto	127 320						LFR-...-D-MAXI-...	
	12/174			10000/353.2	Man.	124 085						356 759
					Auto	124 086						
	8000/282.5	5	Man.	127 317								
			Auto	127 318								

☐ Not available

Next...Step 2

Inch

Metric

Filter Regulator Selector Guide

D-Series Service Units Port Sizes ½” to 1”

Step 2: Based upon the Product Type/Description from Step 1, select the Port Block Screws [Item 4], the Port Block Seals [Item 5], and the Mounting Bracket Kit [Item 6].

	Item 4	5	6 [Not shown]
Product Type/ Description	Port Block Screws	Port Block Seals	Mounting Bracket Kit
LFR-...-D-MIDI-...	202 824	200 950	159 593
LFR-...-D-MAXI-...		234 380	159 593

Step3: Determine the appropriate quantity of each Item.

Ordering Example:

Required: ¾ port size, 8 bar output pressure, 9500 l/min flow, 40µm filtration, automatic drain, BSP threads.

	Item	Part No.	Qty	Description
Order:	1	124 086	1	Main Unit
	2	380 309	1	Left Port Block
		380 311		Right Port Block
	4	202 824	4	Port Block Screws
	5	200 950	3	Port Block Seals
	6	159 593	1	Mounting Bracket Kit