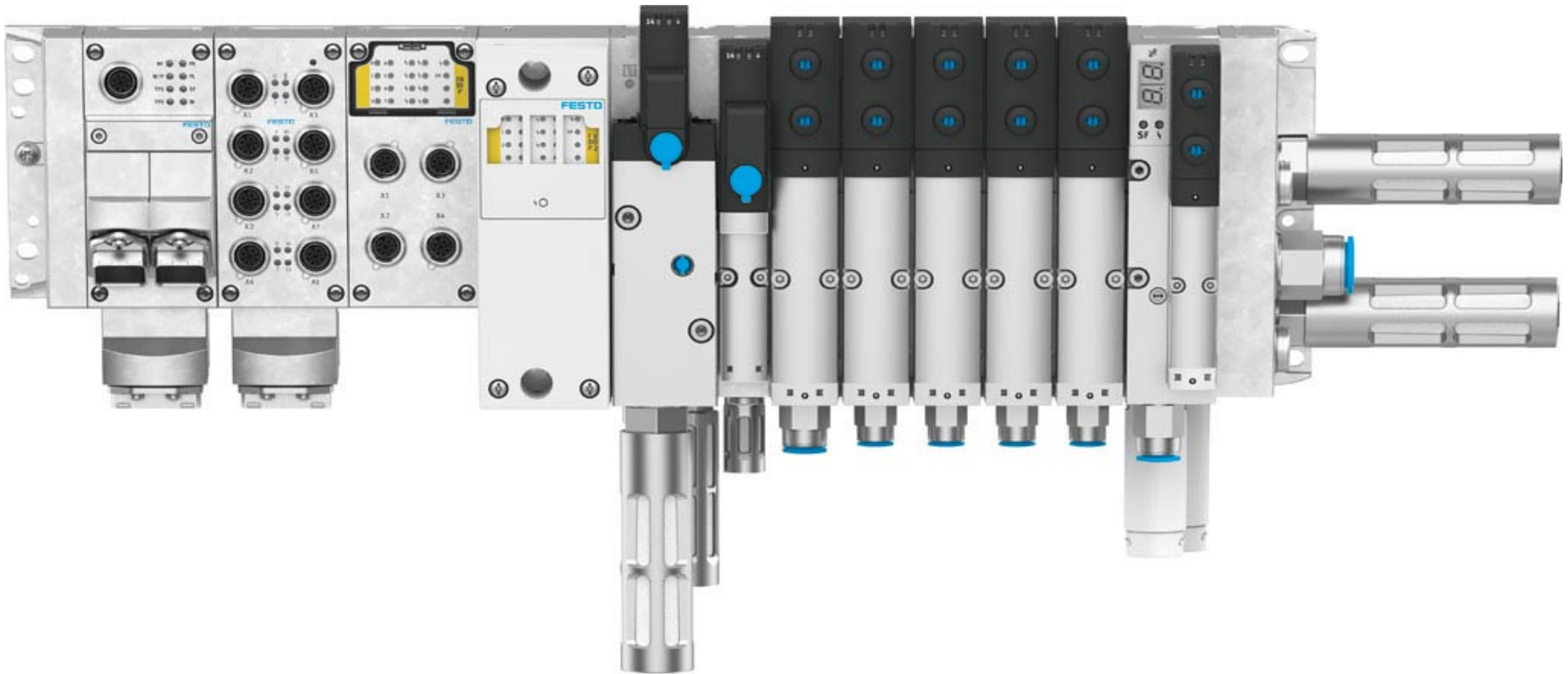
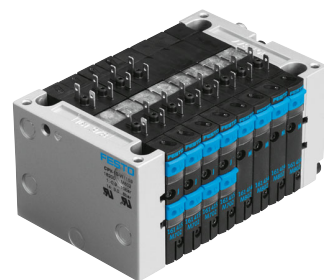


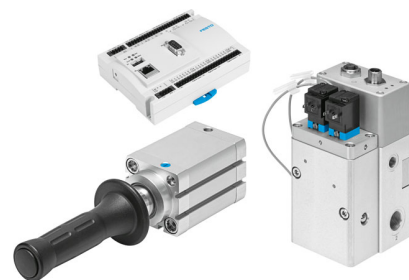
VTSA-F-CB  
51E-F36GCOP-RB  
46P-B-YS-PVPNNGWOGWZQZYBAYQLUSWYLNBSOGWYCBYQTLUWYLNWOGWAQIIIZQA-CSJLLCSJLLJL



In the future, the following additional products will be provided via our SchematicSolution service. Current available products and more information at [www.festo.com/appworld](http://www.festo.com/appworld).



CPV



YHBP

Improvements and suggestions to our service as well as product wishes sent to [design\\_tool@festo.com](mailto:design_tool@festo.com)

Software End User Contract see:  
[www.festo.com/eula](http://www.festo.com/eula)

# Table of contents

System	Mounting location	Document name	Page	Page description	Revision	Date	Edited by
		&MAA	1	Cover sheet		10.08.2020	DE9U4115
		&MAB	1	Table of contents		10.08.2020	DE9U4115
		&MAB	2	Table of contents		10.08.2020	DE9U4115
		&MDB	1	Structure identifier overview		10.08.2020	DE9U4115
		&MDB	2	Structure identifier overview		10.08.2020	DE9U4115
		&MDB	3	Structure identifier overview		10.08.2020	DE9U4115
		&MPC	1	Summarized parts list		10.08.2020	DE9U4115
		&MPC	2	Summarized spare parts list		10.08.2020	DE9U4115
		&MPC	2.1	Summarized spare parts list		10.08.2020	DE9U4115
		&MPC	3	Item parts list		10.08.2020	DE9U4115
		&MPC	4	Spare parts list		10.08.2020	DE9U4115
		&MPC	4.1	Spare parts list		10.08.2020	DE9U4115
		&MPC	4.2	Spare parts list		10.08.2020	DE9U4115
		&MPC	4.3	Spare parts list		10.08.2020	DE9U4115
A1	V1	&ELU	1	Panel layout		10.08.2020	DE9U4115
	V1	&EFA	1	CPX_Module 1		10.08.2020	DE9U4115
	V1	&EFA	2	Bus port 1		10.08.2020	DE9U4115
	V1	&EFA	3	Interface 1		10.08.2020	DE9U4115
	V1	&EFS	1	Valve coils 1 - 8		10.08.2020	DE9U4115
	V1	&EFS	2	Valve coils 9 - 11		10.08.2020	DE9U4115
	V1	&EFS	3	electrical Supply 3		10.08.2020	DE9U4115
	V1	&EFS	4	electrical Supply 4		10.08.2020	DE9U4115
	V1	&MFA	1	Fluid power Overview 1		10.08.2020	DE9U4115
	V1	&MFS	1	Fluid power supply overview 1		10.08.2020	DE9U4115
	V1	&MFS	2	Fluid power supply overview 2		10.08.2020	DE9U4115
	V1	&MFS	3	Sub-base module block 1.0		10.08.2020	DE9U4115
	V1	&MFS	4	Sub-base module block 2.0		10.08.2020	DE9U4115
	V1	&MFS	5	Sub-base module block 2.1		10.08.2020	DE9U4115

© Copyright by Festo AG & Co. KG. All rights reserved. Referred to protection notice ISO 16016

&MAA/1

2

Project status		xxx		Customer name		Table of contents		DE &MAB				
Date	10.08.2020	Technical designer	FESTO template IEC 81346 / EN61355				Project no.:		Project Number			
Edit by	10.08.2020	DE9U4115					Productionorder:		SAP PRODUCTION_ORDER / NETWORK		Pg	1
Approved									Pg	2		
Modification	Date	Name	Standard	EN60204-1/2006-06								

DIN A3 10.08.2020

# Table of contents

System	Mounting location	Document name	Page	Page description	Revision	Date	Edited by
A1	V1	&MFS	6	Sub-base module block 3.0		10.08.2020	DE9U4115
	V1	&MFS	7	Sub-base module block 3.1		10.08.2020	DE9U4115
	V1	&MFS	8	Sub-base module block 5.0		10.08.2020	DE9U4115
	V1	&MFS	9	Sub-base module block 5.1		10.08.2020	DE9U4115
	V1	&MFS	10	Sub-base module block 6.0		10.08.2020	DE9U4115
	V1	&MFS	11	Sub-base module block 6.1		10.08.2020	DE9U4115
	V1	&MFS	12	Sub-base module block 8.0		10.08.2020	DE9U4115
	V1	&MFS	13	Sub-base module block 8.1		10.08.2020	DE9U4115
	V1	&MFS	14	Sub-base module block 9.0		10.08.2020	DE9U4115

Project status		xxx		Customer name		FESTO		Table of contents		DE &MAB	
		Date	10.08.2020	Technical designer							
		Edit by	10.08.2020	DE9U4115	FESTO template IEC 81346 / EN61355						
		Approved									
Modification	Date	Name	Standard	EN60204-1/2006-06						Pg	2
										Pg	2

# Structure identifier overview

Full designation	Labeling	Structure description
=A1	Anlage	

© Copyright by Festo AG & Co. KG. All rights reserved. Referred to protection notice ISO 16016

&MAB/2

2

Project status		xxx	
Date	10.08.2020	Technical designer	
Edit by	10.08.2020	DE9U4115	
Modification	Date	Name	Standard
			EN60204-1/2006-06

Customer name	FESTO template IEC 81346 / EN61355
---------------	------------------------------------



Structure identifier overview
-------------------------------

		DE	&MDB
Project no.:	Project Number	=	
		+	
Productionorder:	SAP PRODUCTION_ORDER / NETWORK	Pg	1
		Pg	3

DIN A3 10.08.2020

# Structure identifier overview

Full designation	Labeling	Structure description
+V1	Einbauort	

Project status		xxx	
Date	10.08.2020	Technical designer	
Edit by	10.08.2020	DE9U4115	
Modification	Date	Name	Standard
			EN60204-1/2006-06

Customer name	FESTO template IEC 81346 / EN61355
---------------	------------------------------------



Structure identifier overview
-------------------------------

		DE	&MDB
Project no.:	Project Number	=	
Productionorder:	SAP PRODUCTION_ORDER / NETWORK	+	
		Pg	2
		Pg	3

# Structure identifier overview

Full designation	Labeling	Structure description
&MAA	Dokumentenart	Cover sheet
&MAB	Dokumentenart	Table of contents
&MDB	Dokumentenart	Structure identifier overview
&MPC	Dokumentenart	Bill of materials
&MEC	Dokumentenart	Technical documentation
&MTB	Dokumentenart	Construction design
&MTL	Dokumentenart	Control cabinet construction, terminal box construction
&ELU	Dokumentenart	Panel layout
&EFA	Dokumentenart	Functional overview documents
&EFS	Dokumentenart	Circuit diagram, electric
&MFA	Dokumentenart	Functional overview documents
&MFS	Dokumentenart	Circuit diagram Fluid power
&MFE	Dokumentenart	Functional descriptions
&EMA	Dokumentenart	Terminal diagram, Plug diagram
&EMB	Dokumentenart	Cable overview, Cable diagram

Project status	xxx		
	Date	10.08.2020	Technical designer
	Edit by	10.08.2020	DE9U4115
	Approved		
Modification	Date	Name	Standard
			EN60204-1/2006-06

Customer name

FESTO template IEC 81346 / EN61355



Structure identifier overview

	DE	&MDB	
Project no.:	Project Number	=	
		+	
Productionorder:	SAP PRODUCTION_ORDER / NETWORK	Pg	3
		Pg	3

## Summarized parts list

Quantity	Order number	Type number	Designation	$\Sigma$ Length [m]	Manufacturer
1	8073100	VTSA-F-CB	Valve manifold	0	FESTO

Project status		xxx		Customer name		 Summarized parts list		DE &MPC					
	Date	10.08.2020	Technical designer	FESTO template IEC 81346 / EN61355				Project no.:		Project Number			
	Edit by	10.08.2020	DE9U4115			<table border="1"> <tr> <td>Pg</td> <td>1</td> </tr> <tr> <td>Pg</td> <td>4.3</td> </tr> </table>		Pg	1	Pg	4.3	Productionorder:	
Pg	1												
Pg	4.3												
Modification	Date	Name	Standard	EN60204-1/2006-06									

# Summarized parts list

Quantity	Order number	Type number	Designation	$\Sigma$ Length [m]	Manufacturer
1				0	
2	8068912	VABV-S4-12HS-G-CB-2T5	Manifold subbase	0	FESTO
1	8082878	VABA-S6-1-X2-3V-CB	Pneumatic interface	0	FESTO
1	8067405	VABF-S6-1-P5A4S2YE-G12-1T5-PA	Pressure build-up valve	0	FESTO
1	8067140	VABF-S4-2-V2B1-G38-CB-VH-20-A	Vacuum generator	0	FESTO
1	1912451	CPX-FB36	Bus node	0	FESTO
1	550208	CPX-M-GE-EV-S-7/8-5POL	Interlinking block	0	FESTO
2	8066569	VSVA-BT-M32CS1-MYE-A2-1T5L-PA	Solenoid valve	0	FESTO
2	539182	VSVA-B-B52-ZD-A2-1T1L	Solenoid valve	0	FESTO
5	1045554	VSVA-B-...-A2-	Seal 18	0	FESTO
1	539156	VSVA-B-B52-ZD-A1-1T1L	Solenoid valve	0	FESTO
3	1046025	VSVA-B-...-A1-	Seal 26	0	FESTO
3	539213	VABB-S4-2-WT	Blanking plate	0	FESTO
2	539212	VABB-S4-1-WT	Blanking plate	0	FESTO
7	668436	VABD-S6-1-C	Seal	0	FESTO
2	3569	B-1/4	Blanking plug	0	FESTO
2	3568	B-1/8	Blanking plug	0	FESTO
1	573191	VABD-S6-1-P7-C	Duct separation	0	FESTO
2	1205860	AMTE-M-LH-G18	Silencer	0	FESTO
1	550212	CPX-M-EPL-EV	End plate	0	FESTO
1	8068609	VABV-S6-1Q-G38-CB1-T5	Manifold subbase	0	FESTO
1	8068913	VABV-S4-2HS-G18-CB-2T5	Manifold subbase	0	FESTO
2	8067932	VABV-S4-2HS-G18-CB-2T2	Manifold subbase	0	FESTO
1	8104044	VABF-S6-1-P8A7-G12-CB1	Expansion module	0	FESTO
1	8067940	VABV-S4-1HS-G14-CB-2T2	Manifold subbase	0	FESTO
1	8104042	VABF-S6-1-P8A7-G12-CB	Expansion module	0	FESTO

© Copyright by Festo AG & Co. KG. All rights reserved. Referred to protection notice ISO 16016

1

2.1

Project status		xxx	
Date	10.08.2020	Technical designer	
Edit by	10.08.2020	DE9U4115	
Approved			
Modification	Date	Name	Standard
			EN60204-1/2006-06

Customer name	
FESTO template IEC 81346 / EN61355	



Summarized spare parts list

		DE & MPC	
Project no.:	Project Number	=	
		+	
Productionorder:	SAP PRODUCTION_ORDER / NETWORK	Pg	2
		Pg	4.3

DIN A3 10.08.2020



# Summarized parts list

Quantity	Order number	Type number	Designation	Σ Length [m]	Manufacturer
1	539238	VABE-S6-1RZ-G-B1	End plate	0	FESTO

© Copyright by Festo AG & Co. KG. All rights reserved. Referred to protection notice ISO 16016

2

3

Project status		xxx	
Date	10.08.2020	Technical designer	
Edit by	10.08.2020	DE9U4115	
Modification	Date	Name	Standard
			EN60204-1/2006-06

Customer name	FESTO template IEC 81346 / EN61355
---------------	------------------------------------



Summarized spare parts list

		DE & MPC
Project no.:	Project Number	=
		+
Productionorder:	SAP PRODUCTION_ORDER / NETWORK	Pg 2.1
		Pg 4.3

DIN A3 10.08.2020

# Item parts list

Reference mark Placement	Quantity	Order number Type number	Designation	X-length Length [m]	Manufacturer	Identcode 1 Identcode 2
-AZ0 =A1+V1&ELU/1.1	1	8073100 VTSA-F-CB	Valve manifold		FESTO	51E-F36GCQP-RB 46P-B-YS-PVPNNGWOGWZQZYBAYQLUSWYLNBSOGWYCBYQTLUWYLN

© Copyright by Festo AG & Co. KG. All rights reserved. Referred to protection notice ISO 16016

2.1

4

Project status		xxx		Customer name			DE &MPC			
	Date	10.08.2020	Technical designer	FESTO template IEC 81346 / EN61355			Project no.:	Project Number	=	
	Edit by	10.08.2020	DE9U4115				Productionorder:	SAP PRODUCTION_ORDER / NETWORK	Pg	3
Modification	Date	Name	Standard				EN60204-1/2006-06		Pg	4.3

DIN A3 10.08.2020

# Spare parts list

Reference mark Placement	Quantity	Order number Type number	Designation	X-length Length [m]	Manufacturer	Identcode 1 Identcode 2
=A1+V1&ELU/1.5	1	8068912 VABV-S4-12HS-G-CB-2T5	Manifold subbase		FESTO	
-AL1 =A1+V1&EFA/3.1	1	8082878 VABA-S6-1-X2-3V-CB	Pneumatic interface		FESTO	
-FN1 =A1+V1&MFA/1.0	1	8067405 VABF-S6-1-P5A4S2YE-G12-1T5-PA	Pressure build-up valve		FESTO	
-GQ1 =A1+V1&MFA/1.5	1	8067140 VABF-S4-2-V2B1-G38-CB-VH-20-A	Vacuum generator		FESTO	
-KF1 =A1+V1&EFA/1.1	1	1912451 CPX-FB36	Bus node		FESTO	
-KF1 =A1+V1&EFA/1.1	1	550208 CPX-M-GE-EV-S-7/8-5POL	Interlinking block		FESTO	
-QM1 =A1+V1&MFA/1.1	1	8066569 VSVA-BT-M32CS1-MYE-A2-1T5L-PA	Solenoid valve		FESTO	
-QM2 =A1+V1&MFA/1.1	1	539182 VSVA-B-B52-ZD-A2-1T1L	Solenoid valve		FESTO	
-QM2-RN1 =A1+V1&MFS/5.1	1	1045554 VSVA-B-...-A2-	Seal 18		FESTO	
-QM3 =A1+V1&MFA/1.3	1	8066569 VSVA-BT-M32CS1-MYE-A2-1T5L-PA	Solenoid valve		FESTO	
-QM4 =A1+V1&MFA/1.3	1	539156 VSVA-B-B52-ZD-A1-1T1L	Solenoid valve		FESTO	
-QM4-RN1 =A1+V1&MFS/9.1	1	1046025 VSVA-B-...-A1-	Seal 26		FESTO	
-QM5 =A1+V1&MFA/1.5	1	539182 VSVA-B-B52-ZD-A2-1T1L	Solenoid valve		FESTO	
-QM5-RN1 =A1+V1&MFS/12.1	1	1045554 VSVA-B-...-A2-	Seal 18		FESTO	
-RN1 =A1+V1&MFA/1.2	1	539213 VABB-S4-2-WT	Blanking plate		FESTO	

© Copyright by Festo AG & Co. KG. All rights reserved. Referred to protection notice ISO 16016

4.1  
DIN A3 10.08.2020

# Spare parts list

Reference mark Placement	Quantity	Order number Type number	Designation	X-length Length [m]	Manufacturer	Identcode 1 Identcode 2
-RN1-RN1 =A1+V1&MFS/6.1	1	1045554 VSVA-B-...-A2-	Seal 18		FESTO	
-RN2 =A1+V1&MFA/1.2	1	539213 VABB-S4-2-WT	Blanking plate		FESTO	
-RN2-RN1 =A1+V1&MFS/7.1	1	1045554 VSVA-B-...-A2-	Seal 18		FESTO	
-RN3 =A1+V1&MFA/1.4	1	539212 VABB-S4-1-WT	Blanking plate		FESTO	
-RN3-RN1 =A1+V1&MFS/10.1	1	1046025 VSVA-B-...-A1-	Seal 26		FESTO	
-RN4 =A1+V1&MFA/1.4	1	539212 VABB-S4-1-WT	Blanking plate		FESTO	
-RN4-RN1 =A1+V1&MFS/11.1	1	1046025 VSVA-B-...-A1-	Seal 26		FESTO	
-RN5 =A1+V1&MFA/1.5	1	539213 VABB-S4-2-WT	Blanking plate		FESTO	
-RN5-RN1 =A1+V1&MFS/13.1	1	1045554 VSVA-B-...-A2-	Seal 18		FESTO	
-RN6 =A1+V1&MFS/1.4	1	668436 VABD-S6-1-C	Seal		FESTO	
-RN7 =A1+V1&MFS/1.6	1	668436 VABD-S6-1-C	Seal		FESTO	
-RN8 =A1+V1&MFS/2.1	1	3569 B-1/4	Blanking plug		FESTO	
-RN9 =A1+V1&MFS/2.1	1	3569 B-1/4	Blanking plug		FESTO	
-RN10 =A1+V1&MFS/3.3	1	668436 VABD-S6-1-C	Seal		FESTO	
-RN11 =A1+V1&MFS/4.2	1	3568 B-1/8	Blanking plug		FESTO	

© Copyright by Festo AG & Co. KG. All rights reserved. Referred to protection notice ISO 16016

Project status	xxx		
Date	10.08.2020	Technical designer	
Edit by	10.08.2020	DE9U4115	
Approved			
Modification	Date	Name	Standard
			EN60204-1/2006-06

Customer name	FESTO template IEC 81346 / EN61355
---------------	------------------------------------



Spare parts list

DE &MPC	
Project no.:	Project Number
Productionorder:	SAP PRODUCTION_ORDER / NETWORK
Pg	4.1
Pg	4.3

# Spare parts list

Reference mark Placement	Quantity	Order number Type number	Designation	X-length Length [m]	Manufacturer	Identcode 1 Identcode 2
-RN13 =A1+V1&MFS/5.3	1	668436 VABD-S6-1-C	Seal		FESTO	
-RN14 =A1+V1&MFS/7.3	1	573191 VABD-S6-1-P7-C	Duct separation		FESTO	
-RN15 =A1+V1&MFS/8.2	1	3568 B-1/8	Blanking plug		FESTO	
-RN17 =A1+V1&MFS/9.3	1	668436 VABD-S6-1-C	Seal		FESTO	
-RN18 =A1+V1&MFS/11.3	1					
-RN19 =A1+V1&MFS/13.3	1	668436 VABD-S6-1-C	Seal		FESTO	
-RN20 =A1+V1&MFS/14.3	1	668436 VABD-S6-1-C	Seal		FESTO	
-RP1 =A1+V1&MFS/4.1	1	1205860 AMTE-M-LH-G18	Silencer		FESTO	
-RP2 =A1+V1&MFS/8.1	1	1205860 AMTE-M-LH-G18	Silencer		FESTO	
-XD1 =A1+V1&EFS/3.0	1	550212 CPX-M-EPL-EV	End plate		FESTO	
-XL1 =A1+V1&MFA/1.0	1	8068609 VABV-S6-1Q-G38-CB1-T5	Manifold subbase		FESTO	
-XL2 =A1+V1&MFA/1.1	1	8068913 VABV-S4-2HS-G18-CB-2T5	Manifold subbase		FESTO	
-XL3 =A1+V1&MFA/1.2	1	8067932 VABV-S4-2HS-G18-CB-2T2	Manifold subbase		FESTO	
-XL4 =A1+V1&MFA/1.2	1	8104044 VABF-S6-1-P8A7-G12-CB1	Expansion module		FESTO	
-XL5 =A1+V1&MFA/1.3	1	8068912 VABV-S4-12HS-G-CB-2T5	Manifold subbase		FESTO	

© Copyright by Festo AG & Co. KG. All rights reserved. Referred to protection notice ISO 16016

4.1

4.3

Project status	xxx		
Date	10.08.2020	Technical designer	
Edit by	10.08.2020	DE9U4115	
Approved			
Modification	Date	Name	Standard
			EN60204-1/2006-06

Customer name	
FESTO template IEC 81346 / EN61355	



Spare parts list
------------------

DE &MPC	
Project no.:	Project Number
Productionorder:	SAP PRODUCTION_ORDER / NETWORK
Pg	4.2
Pg	4.3

DIN A3 10.08.2020

# Spare parts list

Reference mark Placement	Quantity	Order number Type number	Designation	X-length Length [m]	Manufacturer	Identcode 1 Identcode 2
-XL6 =A1+V1&MFA/1.3	1	8067940 VABV-S4-1HS-G14-CB-2T2	Manifold subbase		FESTO	
-XL7 =A1+V1&MFA/1.4	1	8104042 VABF-S6-1-P8A7-G12-CB	Expansion module		FESTO	
-XL8 =A1+V1&MFA/1.5	1	8067932 VABV-S4-2HS-G18-CB-2T2	Manifold subbase		FESTO	
-XL9 =A1+V1&MFA/1.6	1	539238 VABE-S6-1RZ-G-B1	End plate		FESTO	

© Copyright by Festo AG & Co. KG. All rights reserved. Referred to protection notice ISO 16016

4.2

=A1+V1&ELU/1

Project status	xxx		Customer name		Spare parts list		DE &MPC	
	Date	10.08.2020	Technical designer			Project no.:	Project Number	=
	Edit by	10.08.2020	DE9U4115					+
Modification	Date	Name	Standard			Productionorder:	SAP PRODUCTION_ORDER / NETWORK	Pg 4.3
			EN60204-1/2006-06			Pg 4.3		

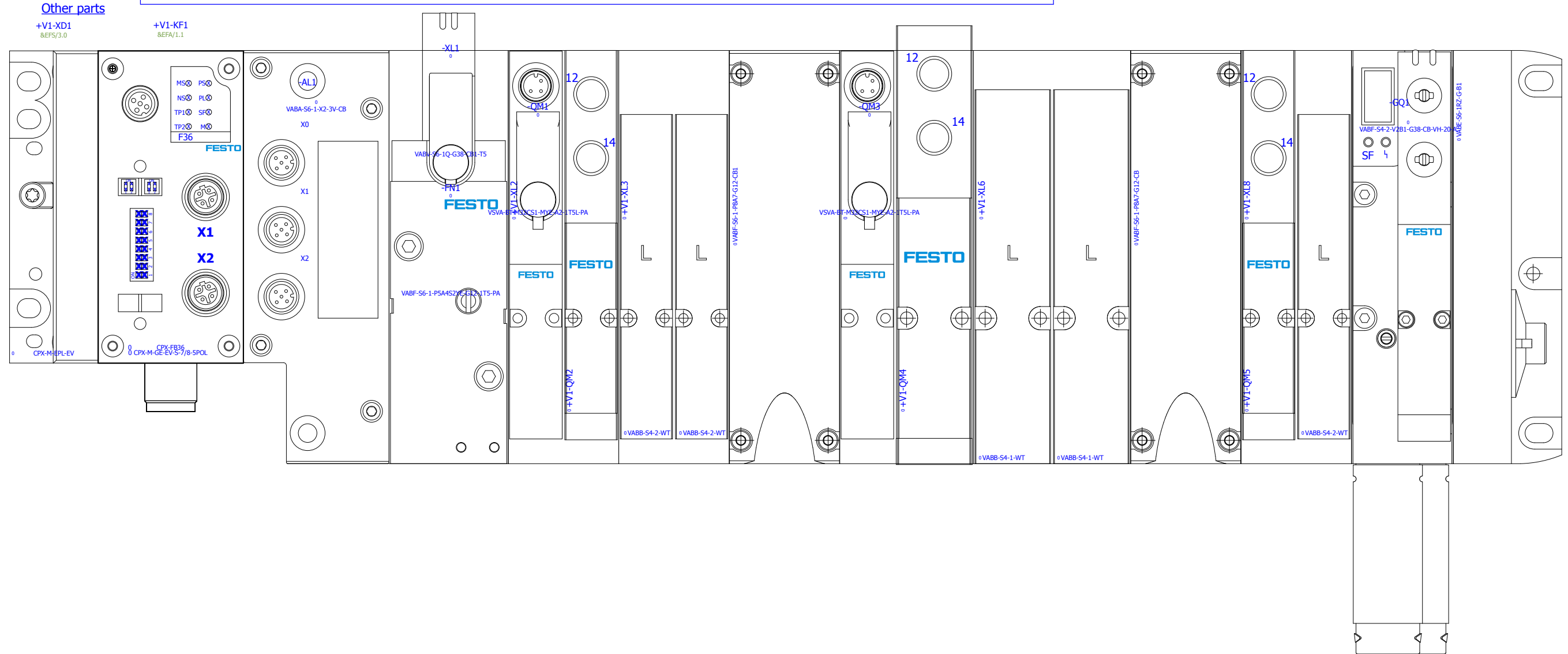
DIN A3 10.08.2020

-AZ0

**ID1:**

---

**ID2:**



© Copyright by Festo AG & Co. KG. All rights reserved. Referred to protection notice ISO 16016

=+&MPC/4.3

&EFA/1

Project status	xxx
Date	10.08.2020
Technical designer	DE9U4115
Edit by	10.08.2020
Approved	
Standard	EN60204-1/2006-06

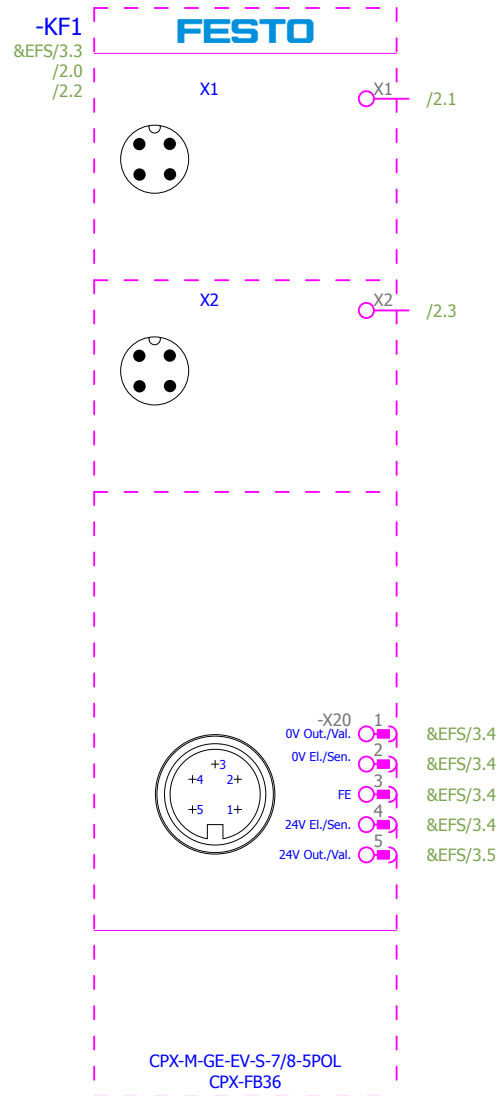
Customer name  
FESTO template IEC 81346 / EN61355



Panel layout

Project no.:	Project Number	DE &ELU = A1 + V1
Productionorder:	SAP PRODUCTION_ORDER / NETWORK	Pg 1 Pg 1

DIN A3 10.08.2020



© Copyright by Festo AG & Co. KG. All rights reserved. Referred to protection notice ISO 16016

&ELU/1

2

Project status	xxx		
	Date	10.08.2020	Technical designer
	Edit by	10.08.2020	DE9U4115
	Approved		
Modification	Date	Name	Standard EN60204-1/2006-06

Customer name	FESTO template IEC 81346 / EN61355
---------------	------------------------------------

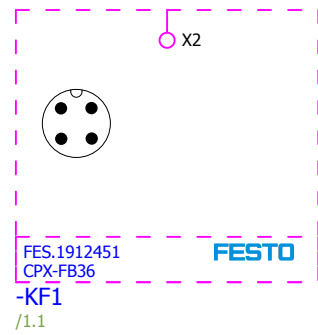
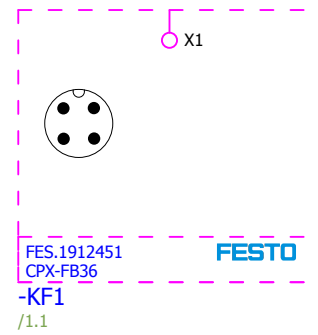


CPX_Module 1
--------------

	DE	&EFA	
Project no.:	Project Number	= A1	
		+ V1	
Productionorder:	SAP PRODUCTION_ORDER / NETWORK	Pg	1
		Pg	3

DIN A3 10.08.2020





© Copyright by Festo AG & Co. KG. All rights reserved. Referred to protection notice ISO 16016

1

3

Project status		xxx	
Date	10.08.2020	Technical designer	
Edit by	10.08.2020	DE9U4115	
Approved			
Modification	Date	Name	Standard
			EN60204-1/2006-06

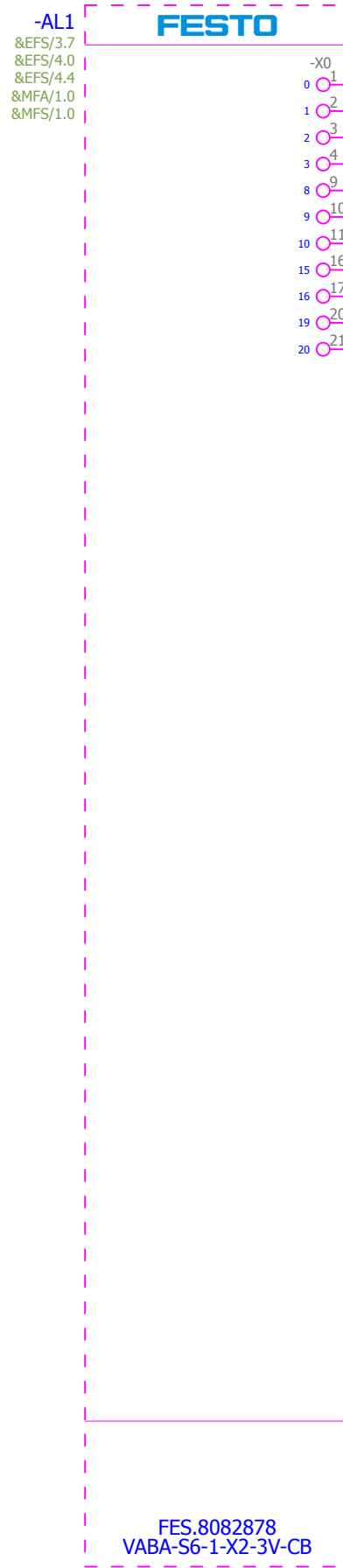
Customer name  
FESTO template IEC 81346 / EN61355



Bus port 1

		DE	&EFA
Project no.:	Project Number	=	A1
		+	V1
Productionorder:	SAP PRODUCTION_ORDER / NETWORK	Pg	2
		Pg	3

DIN A3 10.08.2020



-X0					
0	1	&EFS/1.1	100	-FN1-MB1:x1	Valve coil 1
1	2	&EFS/1.2	101	-QM1-MB1:x1	Valve coil 2
2	3	&EFS/1.3	102	-QM2-MB1:x1	Valve coil 3
3	4	&EFS/1.4	103	-QM2-MB2:x1	Valve coil 4
8	9	&EFS/1.5	108	-QM3-MB1:x1	Valve coil 5
9	10	&EFS/1.6	109	-QM4-MB1:x1	Valve coil 6
10	11	&EFS/1.7	110	-QM4-MB2:x1	Valve coil 7
15	16	&EFS/1.9	115	-QM5-MB1:x1	Valve coil 8
16	17	&EFS/2.1	116	-QM5-MB2:x1	Valve coil 9
19	20	&EFS/2.2	119	-GQ1-MB1:x1	Valve coil 10
20	21	&EFS/2.3	120	-GQ1-MB2:x1	Valve coil 11

© Copyright by Festo AG & Co. KG. All rights reserved. Referred to protection notice ISO 16016

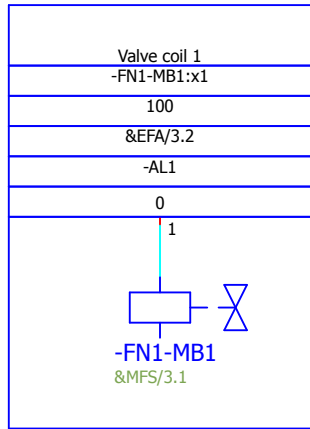
Project status		xxx	
Date	10.08.2020	Technical designer	
Edit by	10.08.2020	DE9U4115	
Approved			
Modification	Date	Name	Standard
			EN60204-1/2006-06

Customer name  
FESTO template IEC 81346 / EN61355

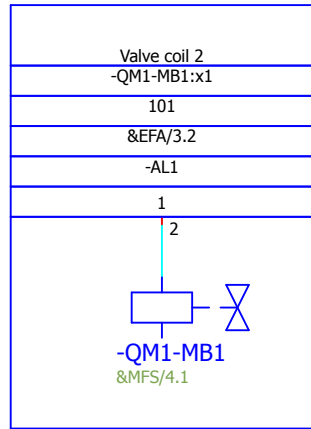


Interface 1

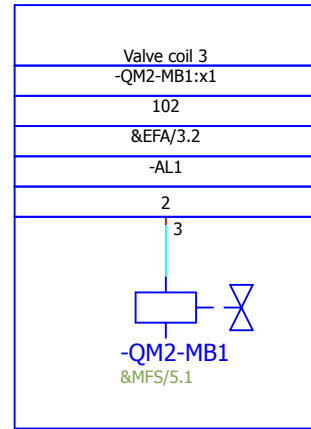
		DE	&EFA
		=	A1
		+	V1
Project no.:	Project Number		
Productionorder:	SAP PRODUCTION_ORDER / NETWORK	Pg	3
		Pg	3



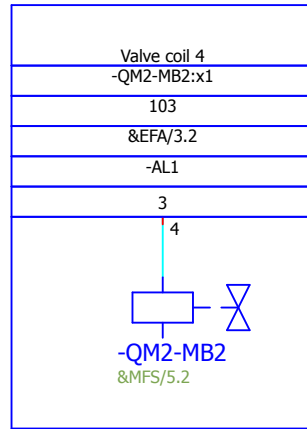
Valve coil 1



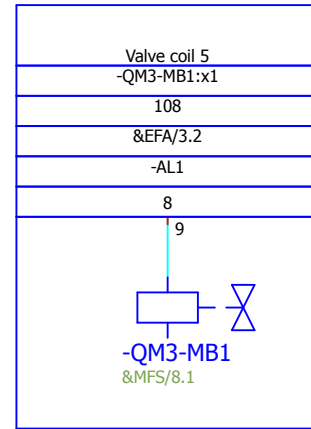
Valve coil 2



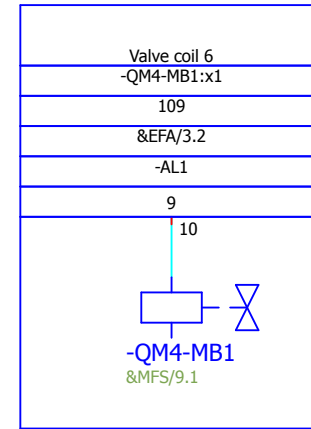
Valve coil 3



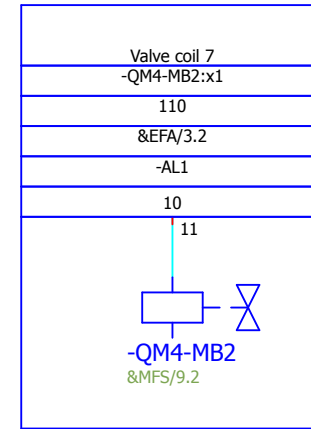
Valve coil 4



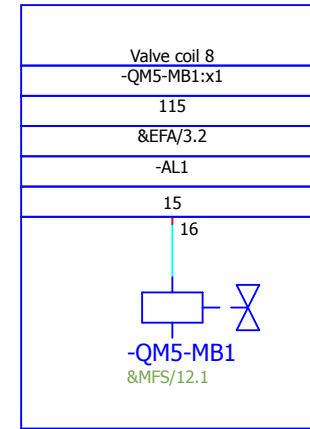
Valve coil 5



Valve coil 6



Valve coil 7



Valve coil 8

© Copyright by Festo AG & Co. KG. All rights reserved. Referred to protection notice ISO 16016

Project status		xxx	
Date	10.08.2020	Technical designer	
Edit by	10.08.2020	DE9U4115	
Approved			
Modification	Date	Name	Standard EN60204-1/2006-06

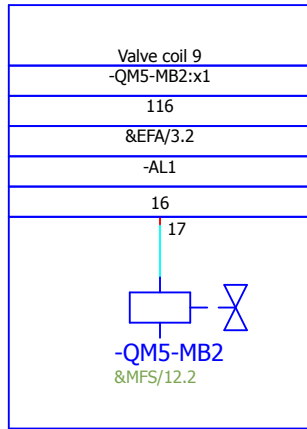
Customer name  
FESTO template IEC 81346 / EN61355



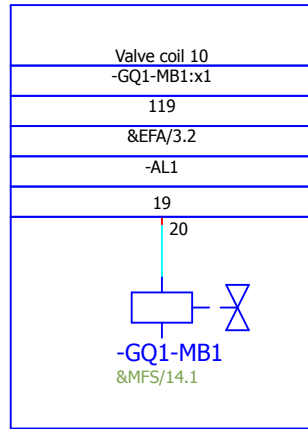
Valve coils 1 - 8

		DE	&EFS
		=	A1
		+	V1
Project no.:	Project Number		
Productionorder:	SAP PRODUCTION_ORDER / NETWORK	Pg	1
		Pg	4

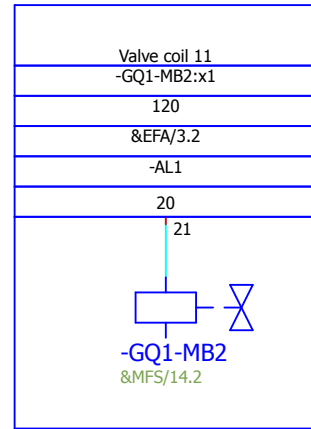
2  
DIN A3 10.08.2020



Valve coil 9



Valve coil 10



Valve coil 11

© Copyright by Festo AG & Co. KG. All rights reserved. Referred to protection notice ISO 16016

1

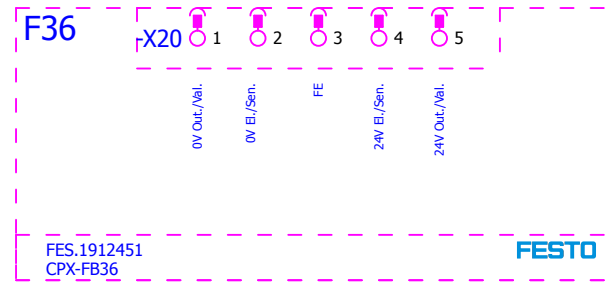
3

Project status		xxx		Customer name			Valve coils 9 - 11		DE &EFS			
	Date	10.08.2020	Technical designer	FESTO template IEC 81346 / EN61355							= A1	
	Edit by	10.08.2020	DE9U4115								+ V1	
	Approved										Pg 2	
Modification	Date	Name	Standard	EN60204-1/2006-06				SAP PRODUCTION_ORDER / NETWORK		Pg 4		

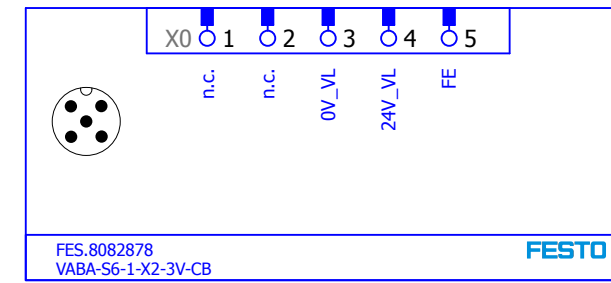
DIN A3 10.08.2020



-XD1  
&ELU/1.0



-KF1  
&EFA/1.1



-AL1  
&EFA/3.1

© Copyright by Festo AG & Co. KG. All rights reserved. Referred to protection notice ISO 16016

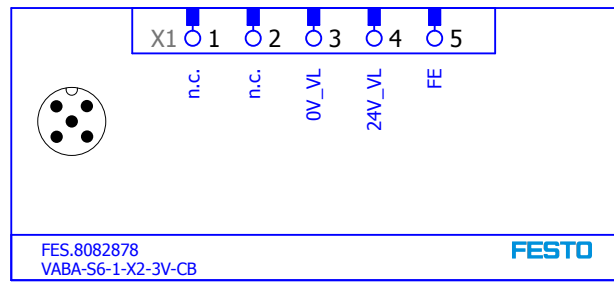
Project status		xxx	
Date	10.08.2020	Technical designer	
Edit by	10.08.2020	DE9U4115	
Approved			
Modification	Date	Name	Standard
			EN60204-1/2006-06

Customer name  
FESTO template IEC 81346 / EN61355

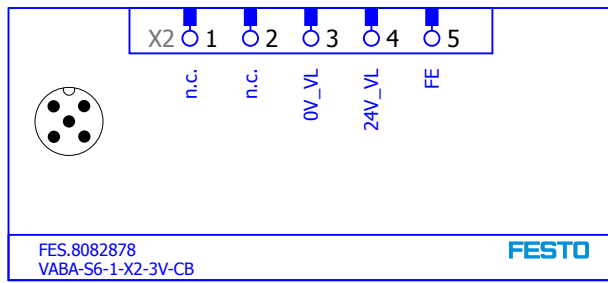


electrical Supply 3

		DE	&EFS
Project no.:	Project Number	=	A1
		+	V1
Productionorder:	SAP PRODUCTION_ORDER / NETWORK	Pg	3
		Pg	4



-AL1  
&EFA/3.1



-AL1  
&EFA/3.1

© Copyright by Festo AG & Co. KG. All rights reserved. Referred to protection notice ISO 16016

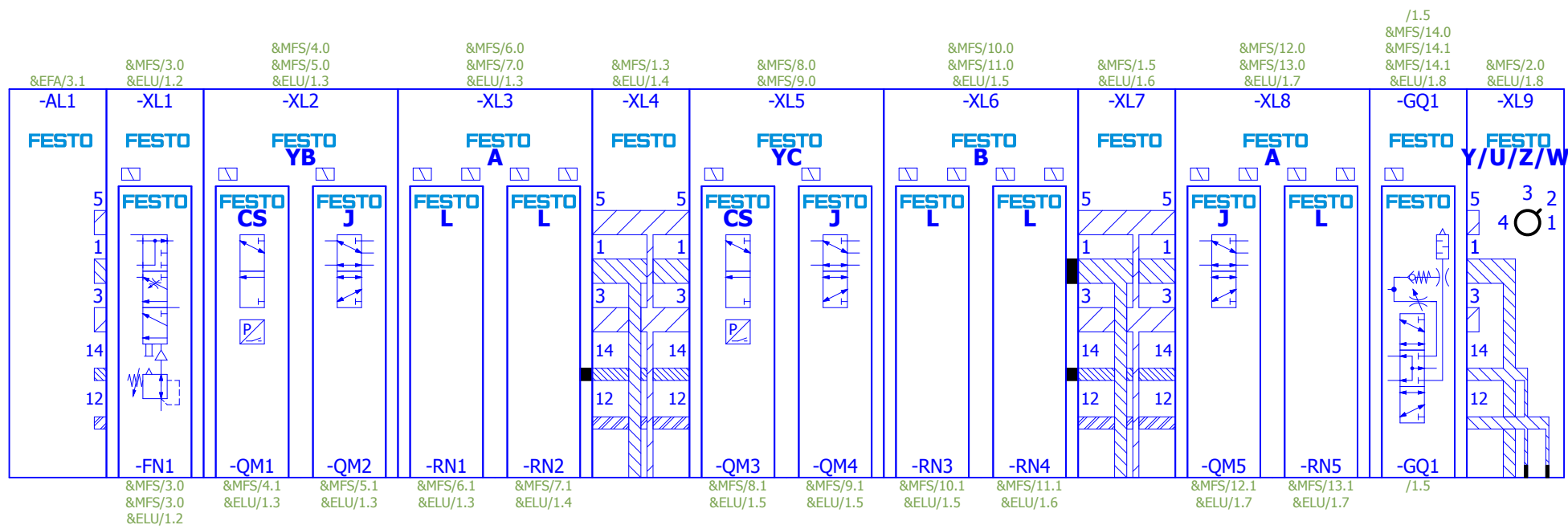
Project status	xxx		
Date	10.08.2020	Technical designer	
Edit by	10.08.2020	DE9U4115	
Approved			
Modification	Date	Name	Standard
			EN60204-1/2006-06

Customer name  
FESTO template IEC 81346 / EN61355



electrical Supply 4

		DE	&EFS
Project no.:	Project Number	=	A1
		+	V1
Productionorder:	SAP PRODUCTION_ORDER / NETWORK	Pg	4
		Pg	4



© Copyright by Festo AG & Co. KG. All rights reserved. Referred to protection notice ISO 16016

&EFS/4 &MFS/1

Project status	xxx		
Date	10.08.2020	Technical designer	
Edit by	10.08.2020	DE9U4115	
Approved			
Modification	Date	Name	Standard
			EN60204-1/2006-06

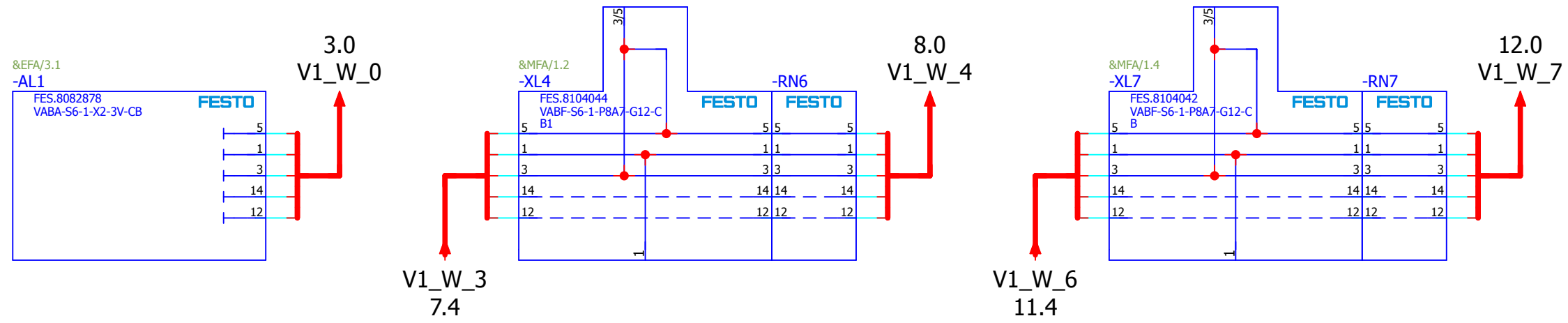
Customer name  
FESTO template IEC 81346 / EN61355



Fluid power Overview 1

Project no.:	Project Number	DE &MFA = A1 + v1
Productionorder:	SAP PRODUCTION_ORDER / NETWORK	Pg 1 Pg 1

DIN A3 10.08.2020



© Copyright by Festo AG & Co. KG. All rights reserved. Referred to protection notice ISO 16016

&MFA/1

2

Project status	xxx		
Date	10.08.2020	Technical designer	
Edit by	10.08.2020	DE9U4115	
Approved			
Modification	Date	Name	Standard
			EN60204-1/2006-06

Customer name  
FESTO template IEC 81346 / EN61355

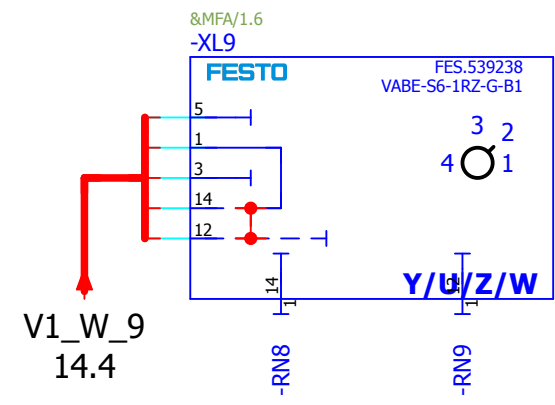


Fluid power supply overview 1

		DE	&MFS
Project no.:	Project Number	= A1	
		+ V1	
Productionorder:	SAP PRODUCTION_ORDER / NETWORK	Pg	1
		Pg	14

DIN A3 10.08.2020





© Copyright by Festo AG & Co. KG. All rights reserved. Referred to protection notice ISO 16016

1

3

Project status	xxx		
	Date	10.08.2020	Technical designer
	Edit by	10.08.2020	DE9U4115
	Approved		
Modification	Date	Name	Standard
			EN60204-1/2006-06

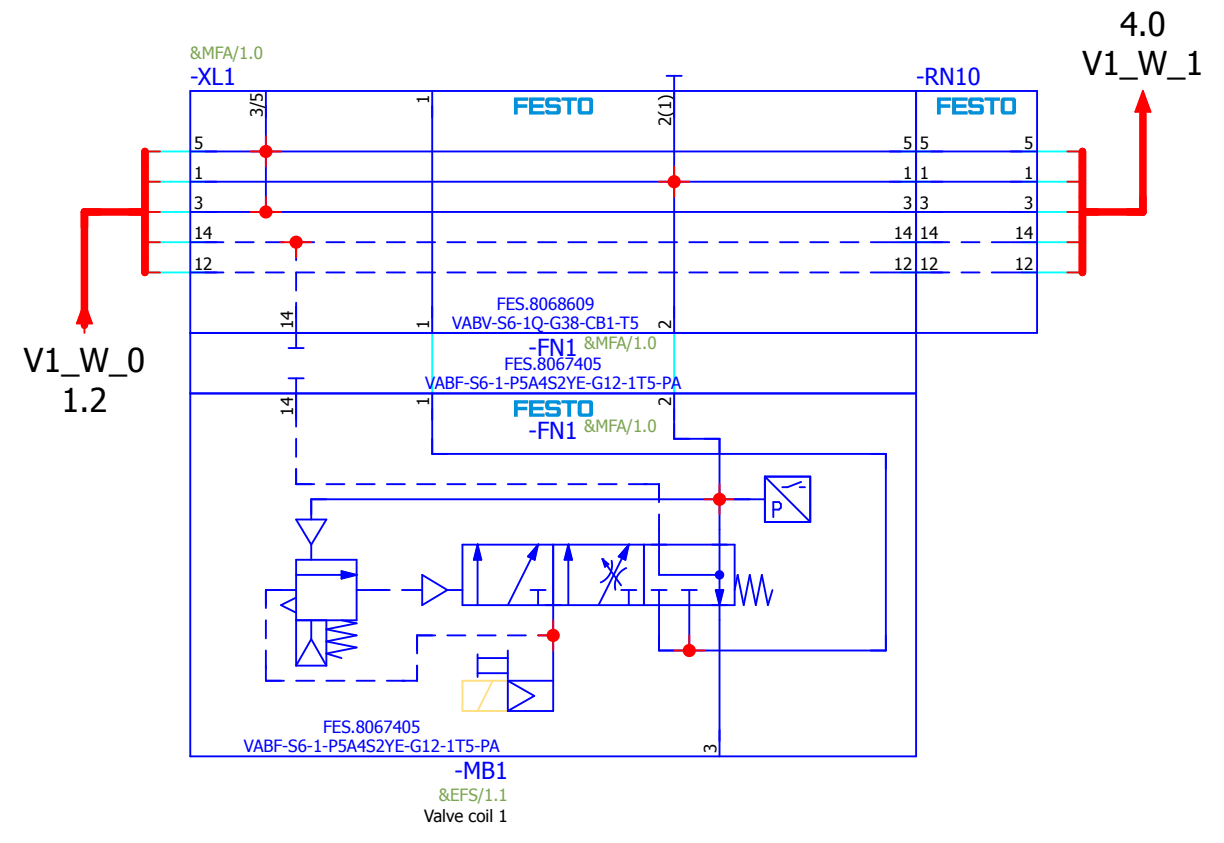
Customer name  
FESTO template IEC 81346 / EN61355



Fluid power supply overview 2

	DE &MFS	
Project no.:	Project Number	= A1
		+ V1
Productionorder:	SAP PRODUCTION_ORDER / NETWORK	Pg 2
		Pg 14

DIN A3 10.08.2020



© Copyright by Festo AG & Co. KG. All rights reserved. Referred to protection notice ISO 16016

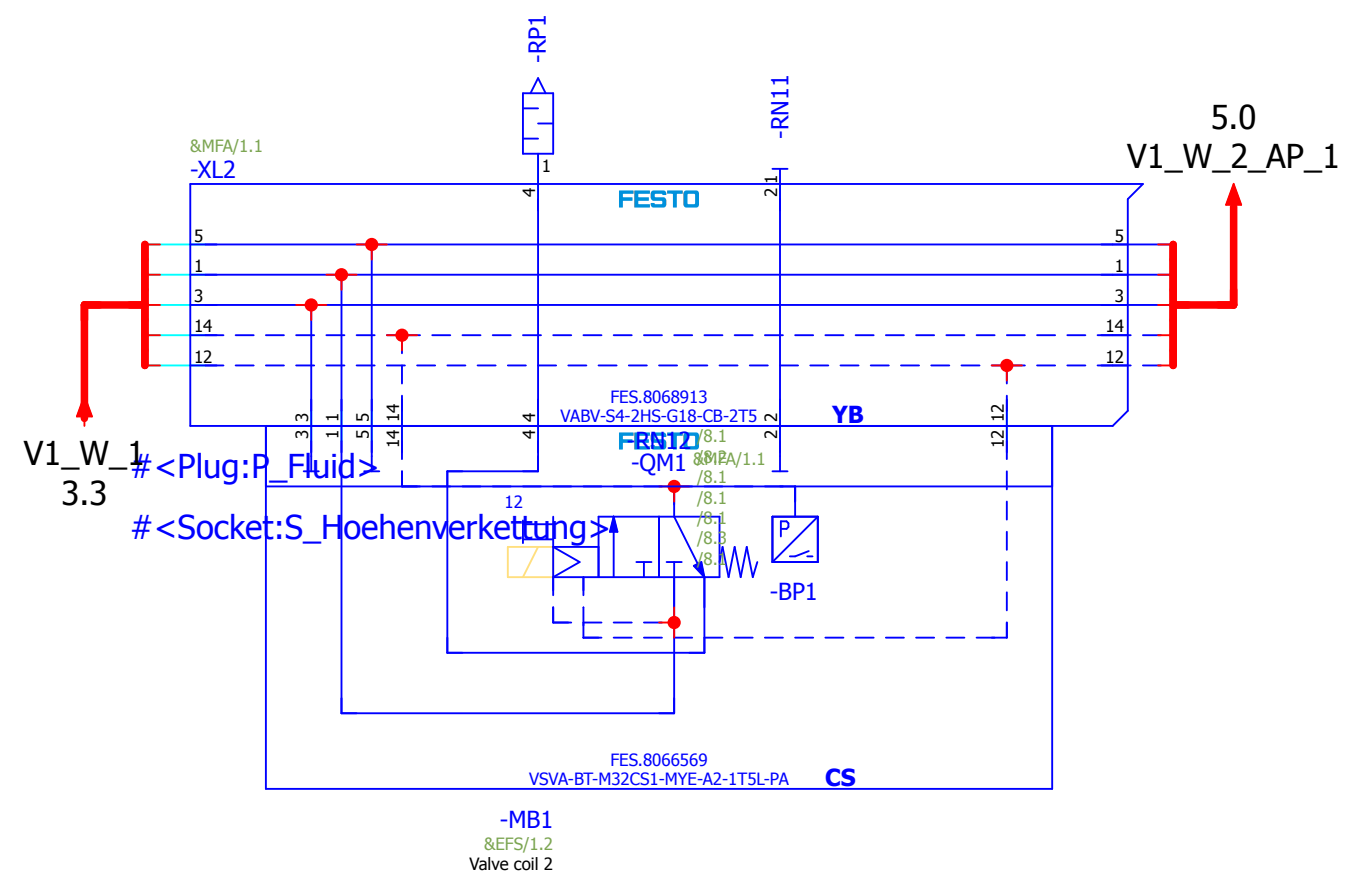
Project status	xxx		
Date	10.08.2020	Technical designer	
Edit by	10.08.2020	DE9U4115	
Approved			
Modification	Date	Name	Standard EN60204-1/2006-06

Customer name  
FESTO template IEC 81346 / EN61355



Sub-base module block 1.0

		DE &MFS	
Project no.:	Project Number	= A1	
		+ V1	
Productionorder:	SAP PRODUCTION_ORDER / NETWORK	Pg	3
		Pg	14



© Copyright by Festo AG & Co. KG. All rights reserved. Referred to protection notice ISO 16016

3

5

Project status	xxx		
Date	10.08.2020	Technical designer	
Edit by	10.08.2020	DE9U4115	
Approved			
Modification	Date	Name	Standard
			EN60204-1/2006-06

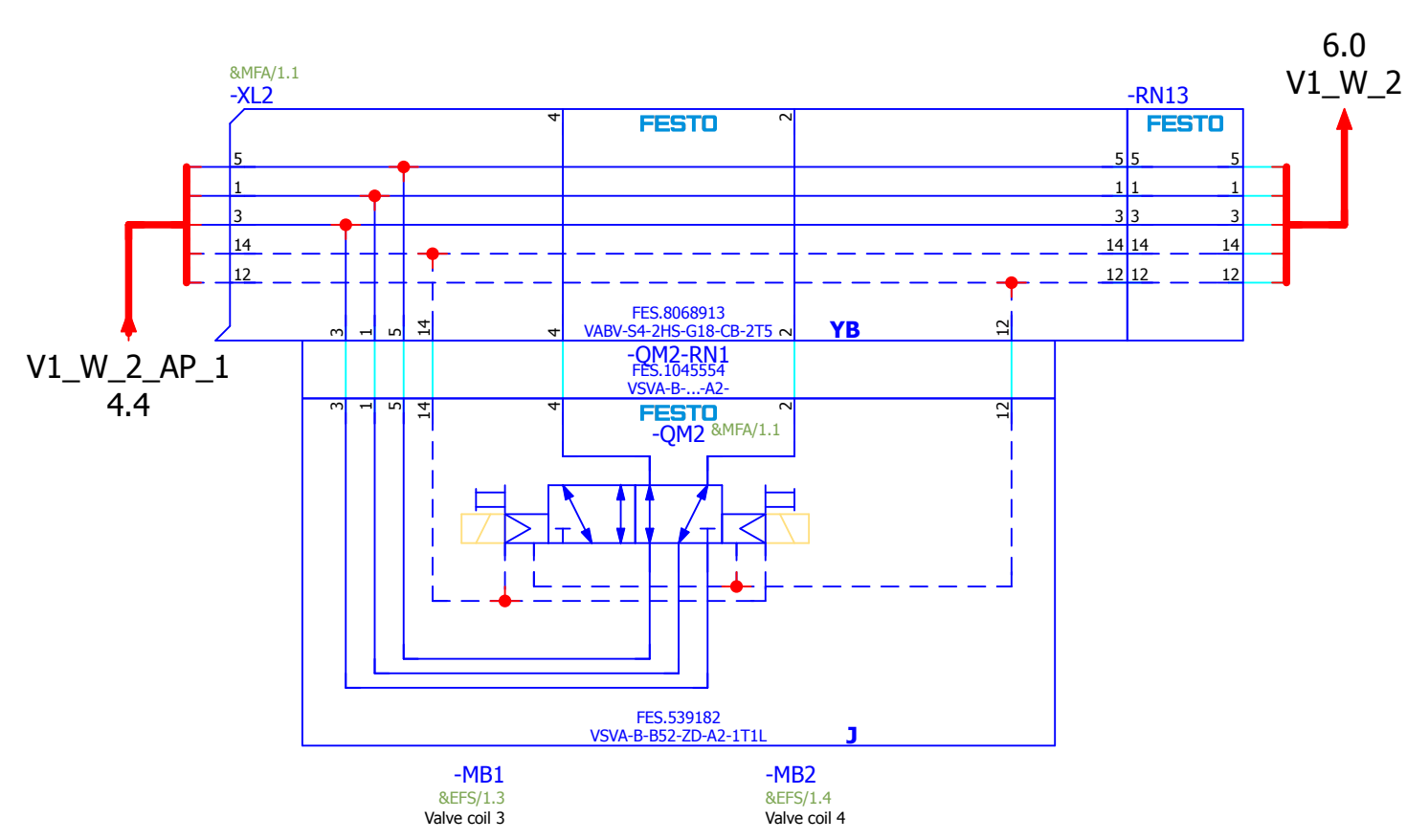
Customer name  
FESTO template IEC 81346 / EN61355



Sub-base module block 2.0

Project no.:	Project Number	DE &MFS = A1 + V1
Productionorder:	SAP PRODUCTION_ORDER / NETWORK	Pg 4 Pg 14

DIN A3 10.08.2020



© Copyright by Festo AG & Co. KG. All rights reserved. Referred to protection notice ISO 16016

4

6

Project status		xxx	
Date	10.08.2020	Technical designer	
Edit by	10.08.2020	DE9U4115	
Approved			
Modification	Date	Name	Standard
			EN60204-1/2006-06

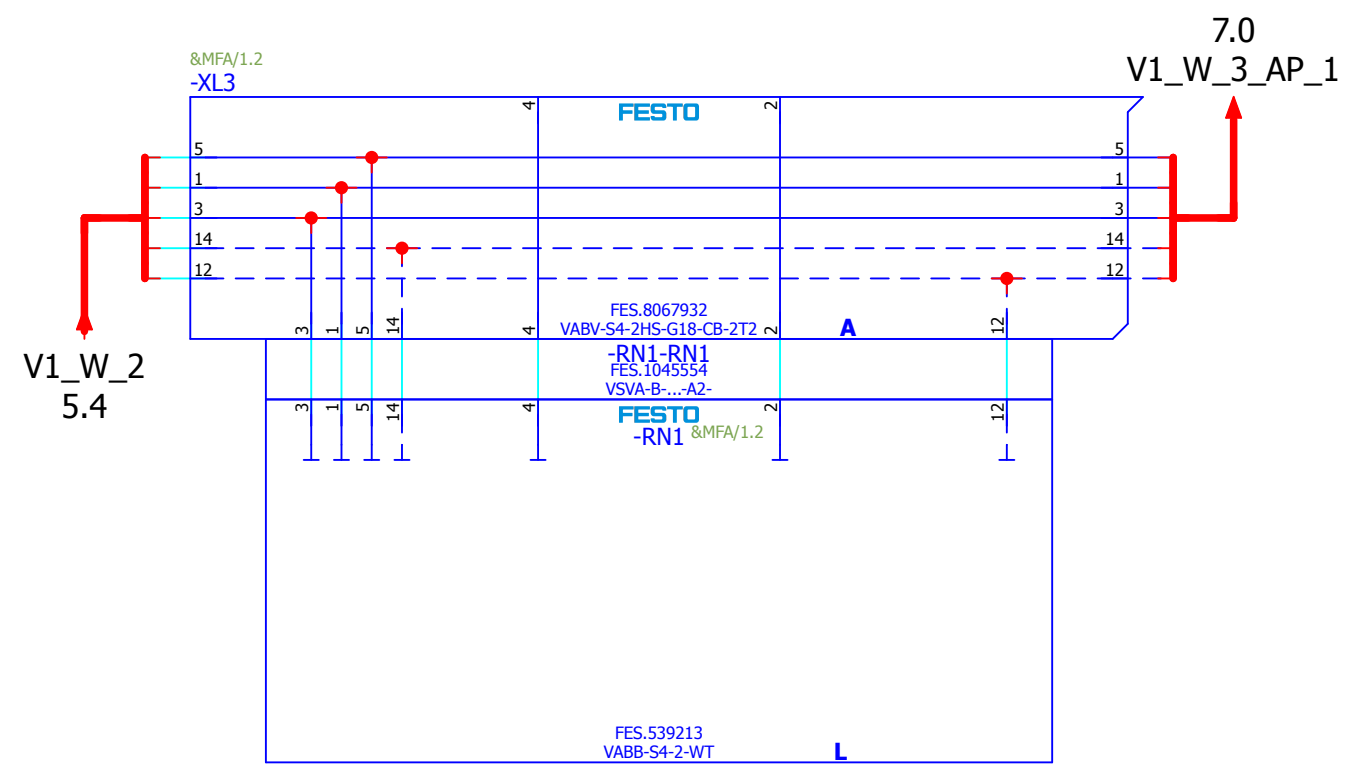
Customer name  
FESTO template IEC 81346 / EN61355



Sub-base module block 2.1

		DE &MFS
Project no.:	Project Number	= A1
		+ V1
Productionorder:	SAP PRODUCTION_ORDER / NETWORK	Pg 5
		Pg 14

DIN A3 10.08.2020



© Copyright by Festo AG & Co. KG. All rights reserved. Referred to protection notice ISO 16016

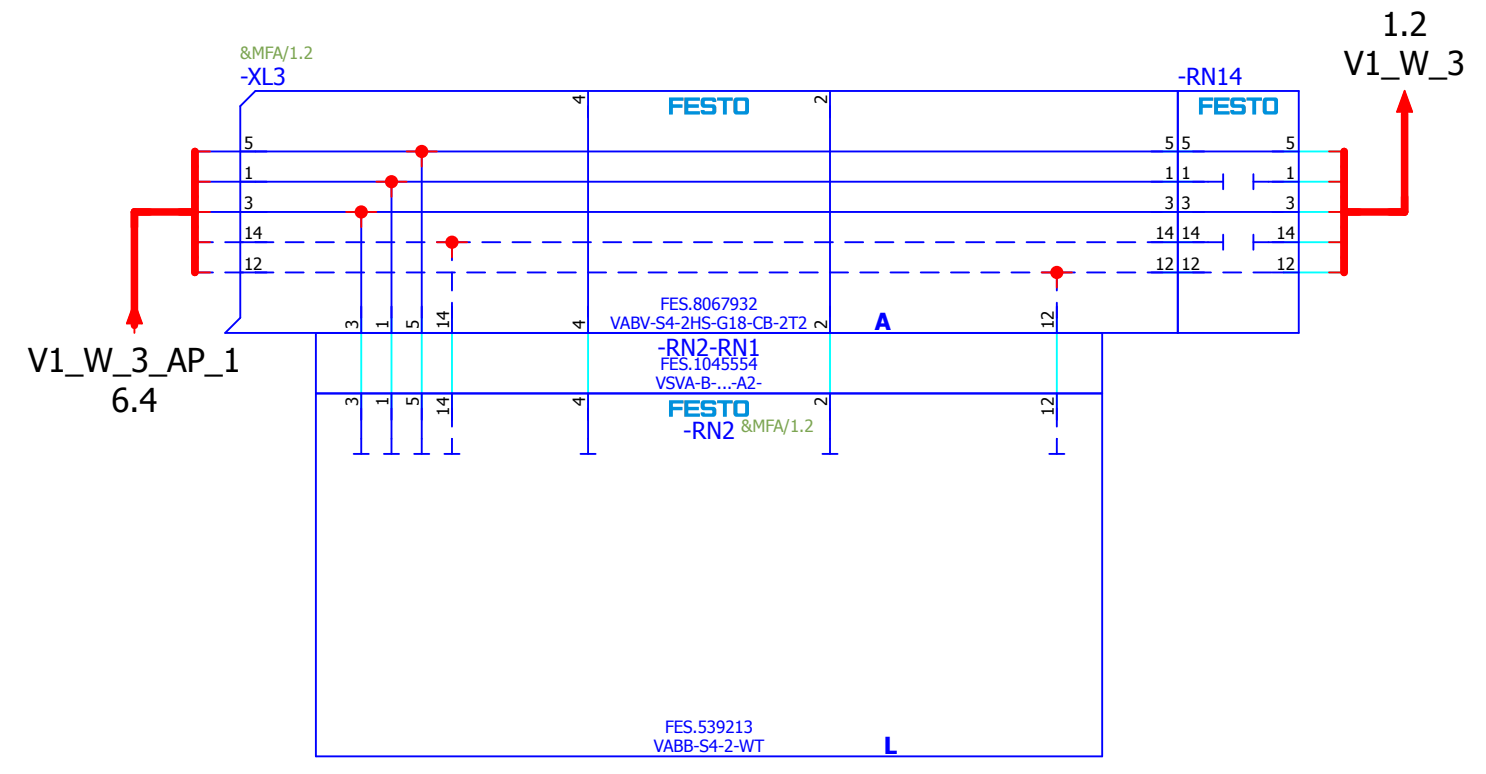
Project status	xxx		
Date	10.08.2020	Technical designer	
Edit by	10.08.2020	DE9U4115	
Approved			
Modification	Date	Name	Standard
			EN60204-1/2006-06

Customer name  
FESTO template IEC 81346 / EN61355



Sub-base module block 3.0

		DE &MFS	
Project no.:	Project Number	= A1	
		+ V1	
Productionorder:	SAP PRODUCTION_ORDER / NETWORK	Pg	6
		Pg	14



© Copyright by Festo AG & Co. KG. All rights reserved. Referred to protection notice ISO 16016

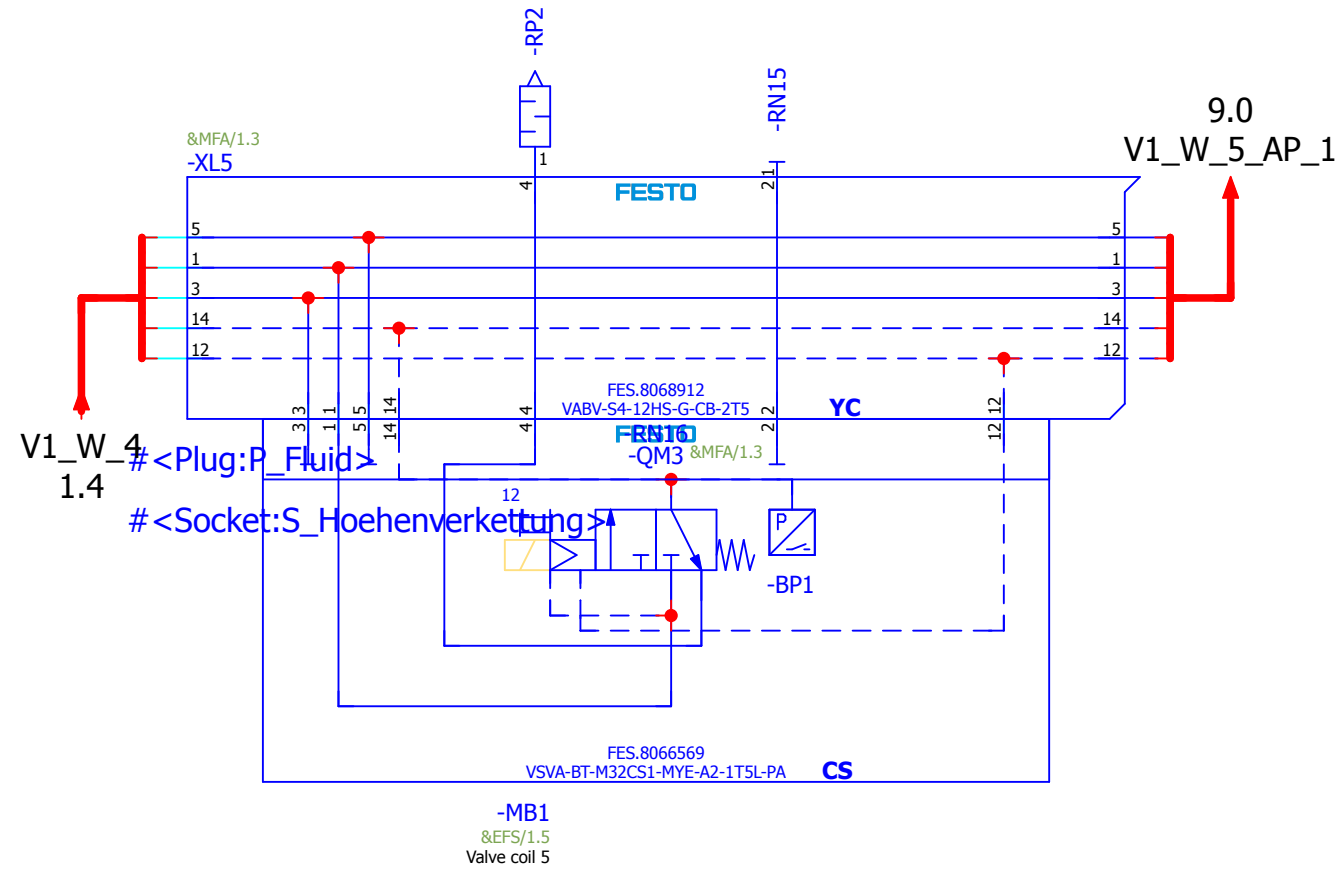
Project status	xxx		
Date	10.08.2020	Technical designer	
Edit by	10.08.2020	DE9U4115	
Approved			
Modification	Date	Name	Standard
			EN60204-1/2006-06

Customer name  
FESTO template IEC 81346 / EN61355



Sub-base module block 3.1

		DE &MFS	
Project no.:	Project Number	= A1	
		+ V1	
Productionorder:	SAP PRODUCTION_ORDER / NETWORK	Pg	7
		Pg	14



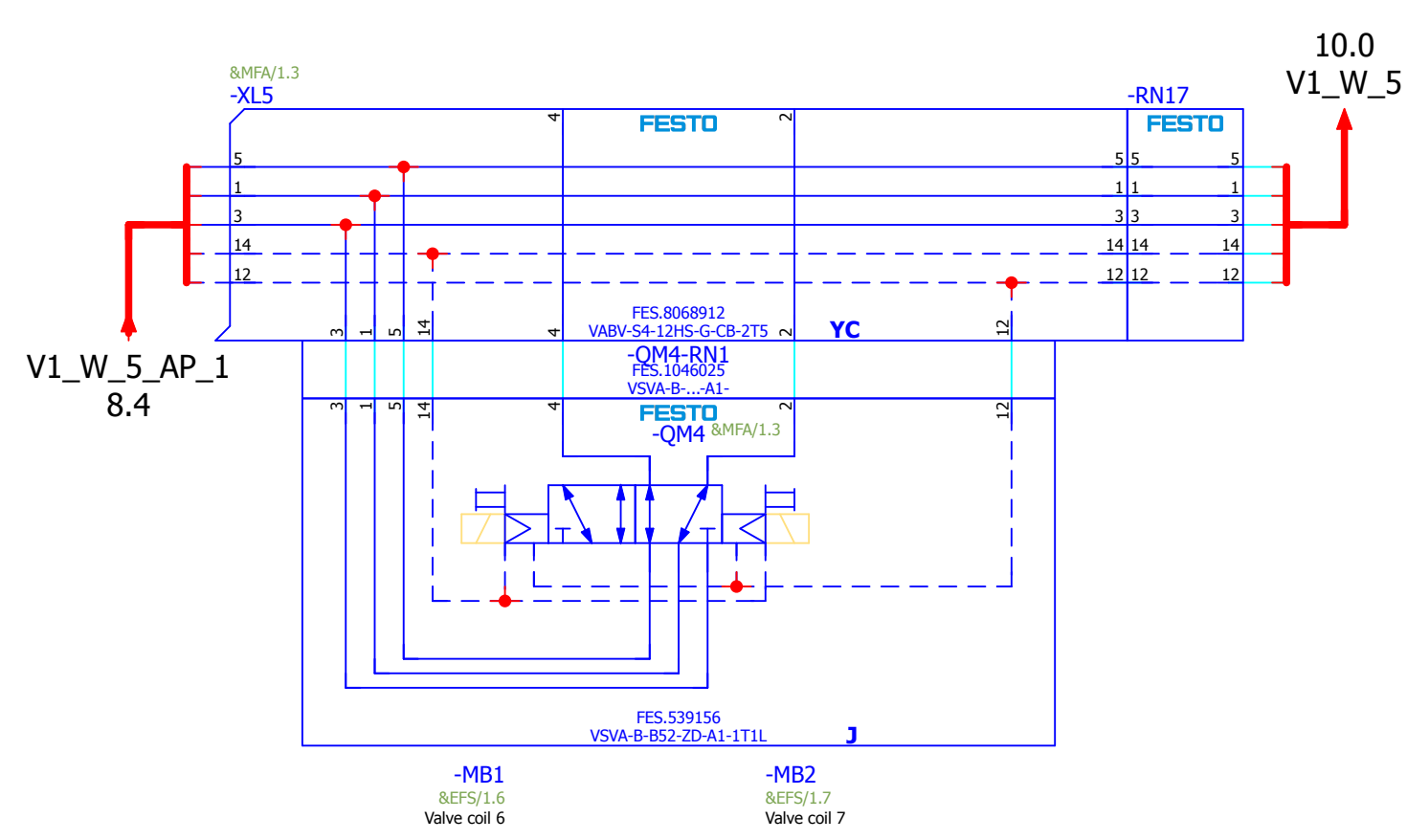
Project status	xxx		
Date	10.08.2020	Technical designer	
Edit by	10.08.2020	DE9U4115	
Approved			
Modification	Date	Name	Standard
			EN60204-1/2006-06

Customer name	FESTO template IEC 81346 / EN61355
---------------	------------------------------------



Sub-base module block 5.0
---------------------------

Project no.:	Project Number	DE &MFS	= A1
Productionorder:	SAP PRODUCTION_ORDER / NETWORK	+ V1	
		Pg	8
		Pg	14



© Copyright by Festo AG & Co. KG. All rights reserved. Referred to protection notice ISO 16016

Project status	xxx		
Date	10.08.2020	Technical designer	
Edit by	10.08.2020	DE9U4115	
Approved			
Modification	Date	Name	Standard
			EN60204-1/2006-06

Customer name  
FESTO template IEC 81346 / EN61355

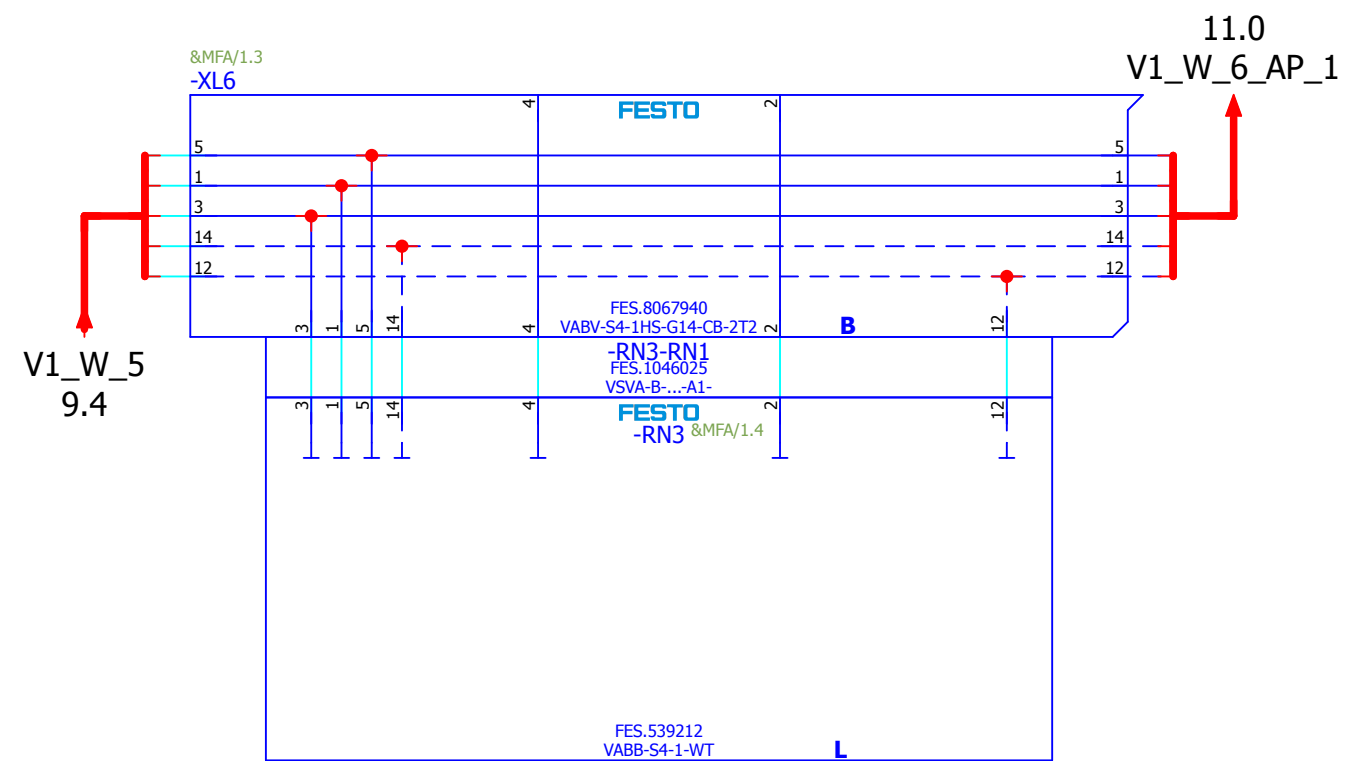


Sub-base module block 5.1

		DE &MFS
Project no.:	Project Number	= A1
		+ V1
Productionorder:	SAP PRODUCTION_ORDER / NETWORK	Pg 9
		Pg 14

DIN A3 10.08.2020





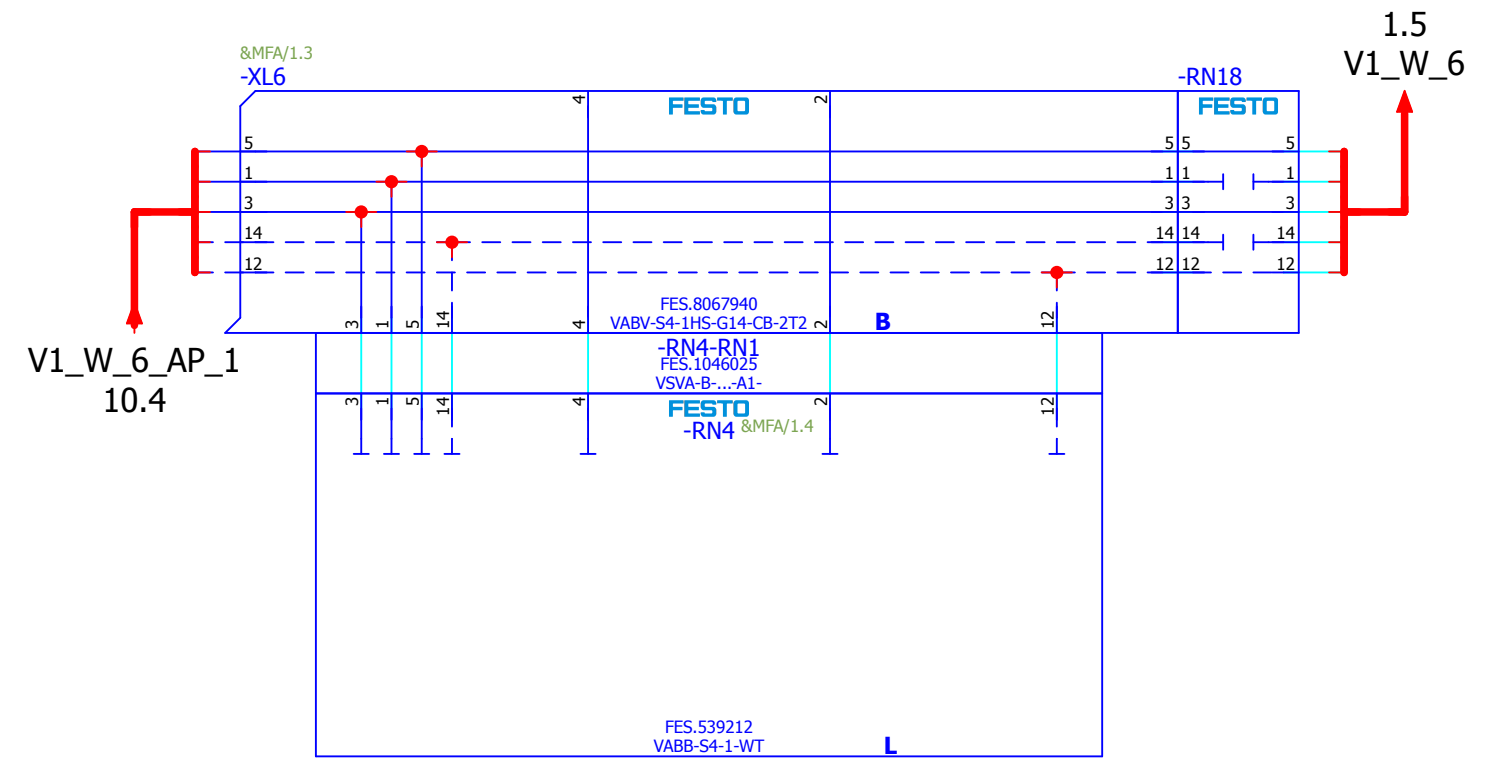
Project status	xxx		
Date	10.08.2020	Technical designer	
Edit by	10.08.2020	DE9U4115	
Approved			
Modification	Date	Name	Standard
			EN60204-1/2006-06

Customer name	FESTO template IEC 81346 / EN61355
---------------	------------------------------------



Sub-base module block 6.0
---------------------------

Project no.:	Project Number	DE &MFS = A1 + V1	Pg	10
Productionorder:	SAP PRODUCTION_ORDER / NETWORK		Pg	14



© Copyright by Festo AG & Co. KG. All rights reserved. Referred to protection notice ISO 16016

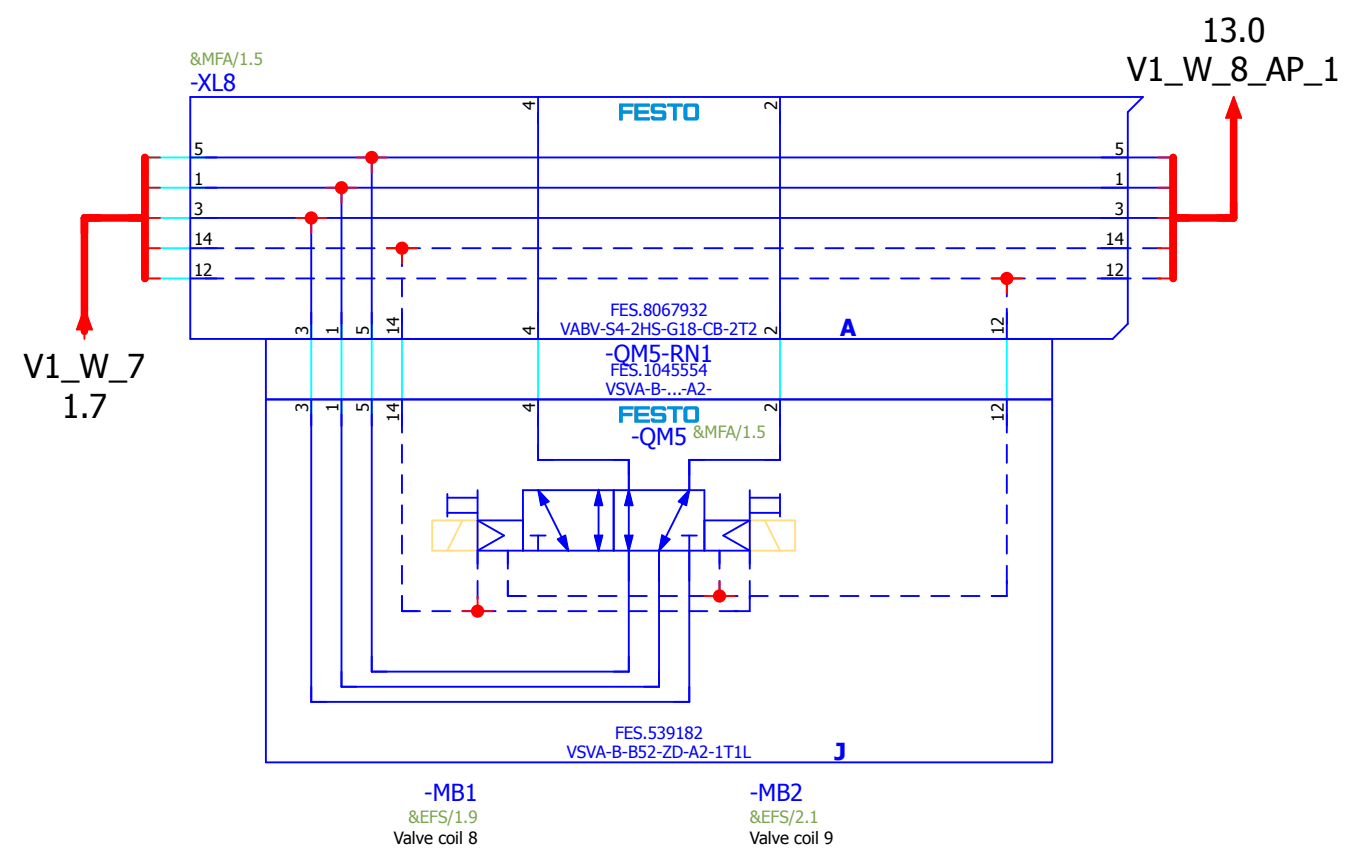
Project status	xxx		
Date	10.08.2020	Technical designer	
Edit by	10.08.2020	DE9U4115	
Approved			
Modification	Date	Name	Standard
			EN60204-1/2006-06

Customer name	FESTO template IEC 81346 / EN61355
---------------	------------------------------------



Sub-base module block 6.1

Project no.:	Project Number	DE &MFS = A1 + V1	Pg 11
Productionorder:	SAP PRODUCTION_ORDER / NETWORK		Pg 14



© Copyright by Festo AG & Co. KG. All rights reserved. Referred to protection notice ISO 16016

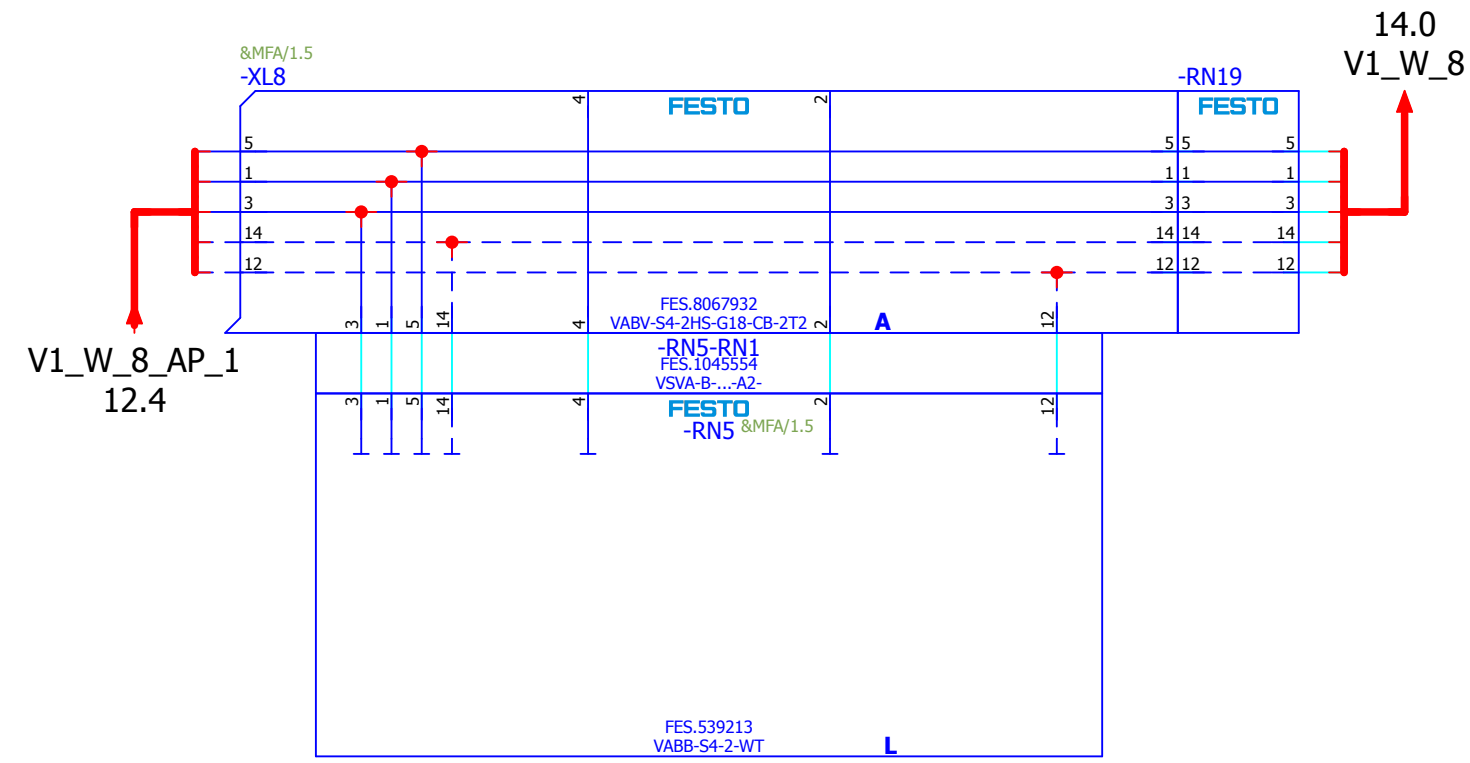
Project status	xxx		
Date	10.08.2020	Technical designer	
Edit by	10.08.2020	DE9U4115	
Approved			
Modification	Date	Name	Standard
			EN60204-1/2006-06

Customer name  
 FESTO template IEC 81346 / EN61355



Sub-base module block 8.0

		DE &MFS
Project no.:	Project Number	= A1
		+ V1
Productionorder:	SAP PRODUCTION_ORDER / NETWORK	Pg 12
		Pg 14



© Copyright by Festo AG & Co. KG. All rights reserved. Referred to protection notice ISO 16016

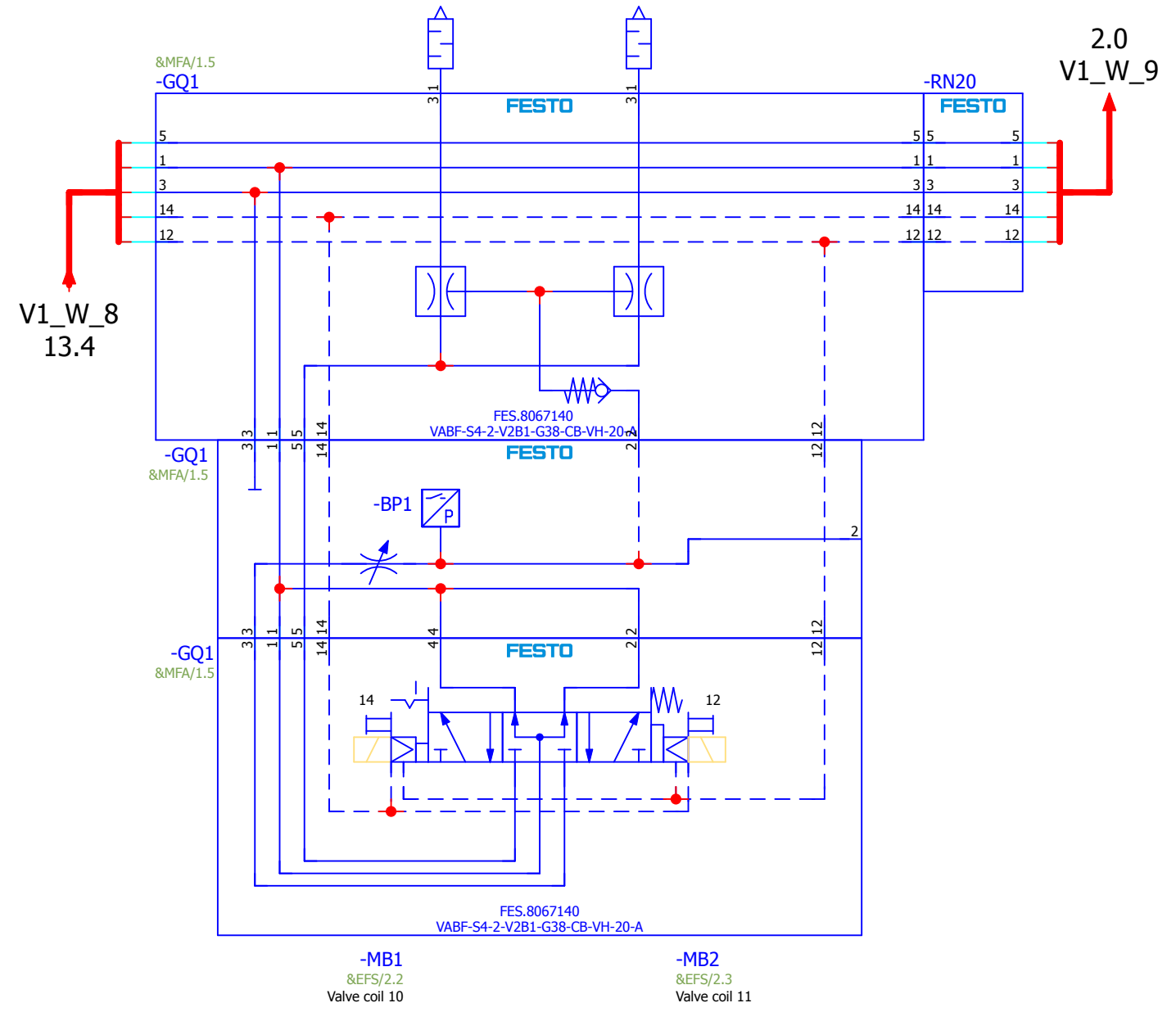
Project status		xxx	
Date	10.08.2020	Technical designer	
Edit by	10.08.2020	DE9U4115	
Approved			
Modification	Date	Name	Standard
			EN60204-1/2006-06

Customer name	FESTO template IEC 81346 / EN61355
---------------	------------------------------------



Sub-base module block 8.1

		DE &MFS	
Project no.:	Project Number	= A1	
		+ V1	
Productionorder:	SAP PRODUCTION_ORDER / NETWORK	Pg	13
		Pg	14



© Copyright by Festo AG & Co. KG. All rights reserved. Referred to protection notice ISO 16016

13

Project status	xxx		
Date	10.08.2020	Technical designer	
Edit by	10.08.2020	DE9U4115	
Approved			
Modification	Date	Name	Standard EN60204-1/2006-06

Customer name  
FESTO template IEC 81346 / EN61355



Sub-base module block 9.0

		DE &MFS	
Project no.:	Project Number	= A1	
		+ V1	
Productionorder:	SAP PRODUCTION_ORDER / NETWORK	Pg	14
		Pg	14

DIN A3 10.08.2020