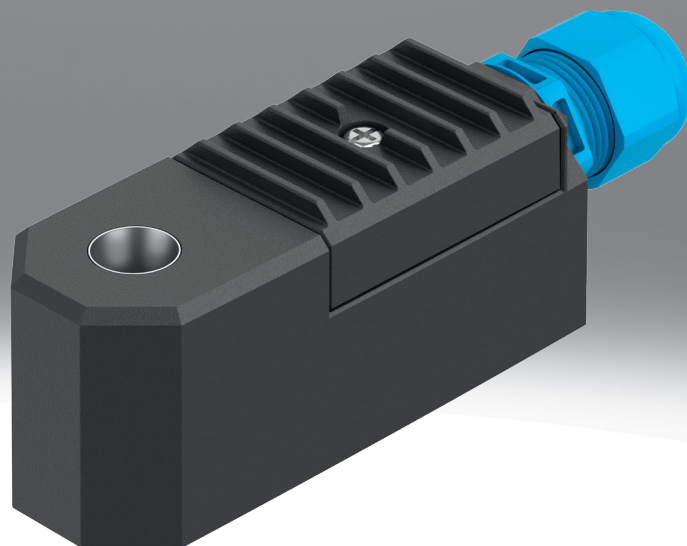


Solenoid coil VACC

FESTO



Type code

001	Series	
VACC	Solenoid coil VACC	

002	Solenoid coil type	
P2	Interface for pilot valve size 30 mm, according to ISO 15218 (CNOMO)	
S13	Solenoid coil, shaft 13 mm	
S18	Solenoid valve, shaft 18 mm	

003	Power consumption	
0.12	12mW	
0.4	40 mW	
11	1.1 W	
18	1.8 W	
25	2.5 W	
35	3.5 W	
70	7 W	
120	12 W	

004	Electrical connection	
A1	Plug pattern type A, to EN 175301-803	
K4	Cable connector metric	
K5	Cable connector NPT	

005	Nominal operating voltage	
1	24 V DC	
1A	24 V AC/50-60 Hz	
1U	24 V DC and AC	
2A	110 V AC/50-60 Hz	
2U	110 V DC and AC	
3	230 V DC	
3A	230 V AC/50-60 Hz	
3U	230 V DC and AC	
5	12 V DC	
7	48 V DC	
7U	48 V DC and AC	
16	120 V DC	
16U	120 V DC and AC	
27	60 V DC	
27U	60 V DC and AC	

006	Circuitry	
	None	
F	Fuse	

007	EU certification	
	None	
EX4	II 2GD	

008	Certification	
	None	
U2	cULus, hazardous environment, USA and Canada (NEC 500, Class 1 Div 2)	
NE4	CCC-Ex (Ex certification China, EPL Gb and Db)	
KS4	KOSHA (Ex certification Korea, EPL Gb and Db)	
NM4	INMETRO (Ex certification Brazil, EPL Gb and Db)	

009	Type of ignition protection	
	None	
A	Intrinsically safe	
D	Flameproof encapsulation	
ME	Encapsulation, enhanced security	

Datasheet

General technical data - Solenoid coils S for Armature tube 13 mm, power consumption 1.1 W

Electrical connection	Terminal box, cable entry thread M20x1.5
Type of actuation	Electric
Mounting position	optional
Switching position indicator	no
Product weight	330 g

Electrical data - Solenoid coils S for Armature tube 13 mm, power consumption 1.1 W

Certification	None	KOSHA (Ex certification Korea, EPL Gb and Db)	CCC-Ex (Ex certification China, EPL Gb and Db)	INMETRO (Ex certification Brazil, EPL Gb and Db)
Characteristic coil data	14 - 32 V DC: 0.22 - 1.1 W			
Max. input voltage U_i	32 V			
Max. input current I_i	0.2 A			
Max. input power P_i	1.2 W			
Effective internal capacitance C_i	Negligibly low		0 μ F	Negligibly low
Required current consumption	16 mA			
Power consumption	1.1 W			
Permissible voltage fluctuations	-15%/+10%			
Duty cycle	100%			
Insulation material class	H			
Degree of protection	IP65			

ATEX - Solenoid coils S for Armature tube 13 mm, power consumption 1.1 W

Certification	None	KOSHA (Ex certification Korea, EPL Gb and Db)	CCC-Ex (Ex certification China, EPL Gb and Db)	INMETRO (Ex certification Brazil, EPL Gb and Db)
ATEX category gas	II 2G		-	
Explosion ignition protection type for gas	Ex ia IIC T5/T6 Gb	Ex ia IIC T5, T6	Ex ia IIC T5/T6 Gb	Ex i IIC T6, T5 Gb
ATEX category dust	II 2D		-	
Explosion ignition protection type for dust	Ex ia IIIC T95°C/T80°C IP65 Db	Ex ia D 21 T80/T95°C	Ex ia IIIC T95°C/T80°C Db	Ex i IIIC T80°C, T95°C IP65 Db
Explosion ambient temperature	T5/T95°C: -30°C ≤ Ta ≤ +65°C, T6/T80°C: -30°C ≤ Ta ≤ +50°C		T5, T95°C: -30°C ≤ Ta ≤ +65°C, T6, T80°C: -30°C ≤ Ta ≤ +50°C	
Explosion protection certification outside the EU	EPL Db (GB); EPL Db (IEC-EX); EPL Gb (GB); EPL Gb (IECEX)	EPL Db (KR); EPL Gb (KR)	EPL Db (CN); EPL Gb (CN)	EPL Db (BR); EPL Gb (BR)
Certificate issuing authority	BVS 15 ATEX E 030 X IECEX BVS 15.0020 X German Technical Control Board (TÜV) 21 UKEX 7016 X	21-AV4BO-0280X 22-AV4BO-0052X	GYJ20.1094X	DNV 17.0043X

Materials - Solenoid coils S for Armature tube 13 mm, power consumption 1.1 W

Certification	None	KOSHA (Ex certification Korea, EPL Gb and Db)	CCC-Ex (Ex certification China, EPL Gb and Db)	INMETRO (Ex certification Brazil, EPL Gb and Db)
Material solenoid coil	-		-	
Note on materials	RoHS-compliant			
LABS (PWIS) conformity	VDMA24364 zone III			

Datasheet

Operating and environmental conditions - Solenoid coils S for Armature tube 13 mm, power consumption 1.1 W

Certification	None	KOSHA (Ex certification Korea, EPL Gb and Db)	CCC-Ex (Ex certification China, EPL Gb and Db)	INMETRO (Ex certification Brazil, EPL Gb and Db)
Corrosion resistance class CRC ¹⁾	–	4 - Very high corrosion stress	–	–
CE mark (see declaration of conformity) ²⁾	To EU EMC Directive, To EU Explosion Protection Directive (ATEX), In accordance with EU RoHS Directive	To EU EMC Directive, To EU Explosion Protection Directive (ATEX)	–	–
UKCA marking (see declaration of conformity)	To UK instructions for EMC, To UK EX instructions, To UK RoHS instructions	–	–	–
Certificate issuing authority	BVS 15 ATEX E 030 X; IECEx BVS 15.0020 X; German Technical Control Board (TÜV) 21 UKEX 7016 X	21-AV4BO-0280X; 22-AV4BO-0052X	GYJ20.1094X	DNV 17.0043X

1) More information www.festo.com/x/topic/kbk

2) More information www.festo.com/catalogue/... Support/Downloads.

General technical data - Solenoid coils S for Armature tube 13 mm, power consumption 1.8 W

Electrical connection	Type A, Plugs, To EN 175301-803	Terminal box, cable entry thread M20x1.5
Type of actuation	Electric	
Mounting position	optional	
Switching position indicator	no	
Product weight	210 g	330 g

Electrical data - Solenoid coils S for Armature tube 13 mm, power consumption 1.8 W

Certification	None	
Electrical connection	Type A, Plugs, To EN 175301-803	Terminal box, cable entry thread M20x1.5
Characteristic coil data	110 V DC: 1.8 W 110 V AC: 50/60 Hz, power 1.8 VA 230 V DC: 1.8 W 230 V AC: 50/60 Hz, power 1.8 VA 24 V DC: 2.1 W 24 V AC: 50/60 Hz, Power 2.1 VA	110 V DC: 1.8 W 110 V AC: 40/65 Hz, power 1.8 VA 230 V DC: 1.8 W 230 V AC: 40/65 Hz, power 1.8 VA 24 V DC: 1.8 W 24 V AC: 40/65 Hz, power 1.8 VA 60 V AC: 40/65 Hz, power 1.8 VA 60 V DC: 1.8 W
Power consumption	1.8 W	
Permissible voltage fluctuations	-15%/+10%	
Duty cycle	100%	
Insulation material class	H	
Degree of protection	IP65	

Electrical data - Solenoid coils S for Armature tube 13 mm, power consumption 1.8 W

Certification	KOSHA (Ex certification Korea, EPL Gb and Db)	CCC-Ex (Ex certification China, EPL Gb and Db)	INMETRO (Ex certification Brazil, EPL Gb and Db)
Electrical connection	Terminal box, cable entry thread M20x1.5		
Characteristic coil data	110 V DC: 1.8 W 110 V AC: 40/65 Hz, power 1.8 VA 230 V DC: 1.8 W 230 V AC: 40/65 Hz, power 1.8 VA 24 V DC: 1.8 W 24 V AC: 40/65 Hz, power 1.8 VA 60 V AC: 40/65 Hz, power 1.8 VA 60 V DC: 1.8 W		
Power consumption	1.8 W		
Permissible voltage fluctuations	-15%/+10%		
Duty cycle	100%		
Insulation material class	H		
Degree of protection	IP65		

Datasheet

ATEX - Solenoid coils S for Armature tube 13 mm, power consumption 1.8 W

Certification	None			
Electrical connection	Type A, Plugs, To EN 175301-803			
Characteristic coil data	110 V DC: 1.8 W, 110 V AC: 50/60 Hz, power 1.8 VA	230 V DC: 1.8 W, 230 V AC: 50/60 Hz, power 1.8 VA	24 V DC: 2.1 W	24 V DC: 2.1 W, 24 V AC: 50/60 Hz, Power 2.1 VA
ATEX category gas	–			
Explosion ignition protection type for gas	–			
ATEX category dust	–			
Explosion ignition protection type for dust	–			
Explosion ambient temperature	–			
Explosion protection certification outside the EU	–			
Certificate issuing authority	–			

ATEX - Solenoid coils S for Armature tube 13 mm, power consumption 1.8 W

Certification	None			
Electrical connection	Terminal box, cable entry thread M20x1.5			
Characteristic coil data	110 V DC: 1.8 W, 110 V AC: 40/65 Hz, power 1.8 VA	230 V DC: 1.8 W, 230 V AC: 40/65 Hz, power 1.8 VA	24 V DC: 1.8 W, 24 V AC: 40/65 Hz, power 1.8 VA	60 V AC: 40/65 Hz, power 1.8 VA, 60 V DC: 1.8 W
ATEX category gas	II 2G			
Explosion ignition protection type for gas	Ex eb mb IIC T* Gb			
ATEX category dust	II 2D			
Explosion ignition protection type for dust	Ex tb IIIC T*°C Db			
Explosion ambient temperature	T4/T130°C: -30°C ≤ Ta ≤ +60°C, T5/T95°C: -30°C ≤ Ta ≤ +60°C, T6/T85°C: -30°C ≤ Ta ≤ +50°C			
Explosion protection certification outside the EU	EPL Db (GB); EPL Db (IEC-EX); EPL Gb (GB); EPL Gb (IECEX)			
Certificate issuing authority	IECEX BVS 15.0075X German Technical Control Board (TÜV) 21 UKEX 7015 X		BVS 15ATEXE029X IECEX BVS 15.0075X German Technical Control Board (TÜV) 21 UKEX 7015 X	

ATEX - Solenoid coils S for Armature tube 13 mm, power consumption 1.8 W

Certification	KOSHA (Ex certification Korea, EPL Gb and Db)	CCC-Ex (Ex certification China, EPL Gb and Db)	INMETRO (Ex certification Brazil, EPL Gb and Db)
ATEX category gas	–		
Explosion ignition protection type for gas	Ex e mb IIC T4, T5, T6	Ex eb mb IIC T6... T4 Gb	Ex eb mb IIC T6, T5, T4 Gb
ATEX category dust	–		
Explosion ignition protection type for dust	Ex tD A21 IP65 T85/T95/T130°C	Ex tb IIIC T85°C... T130°C Db	Ex tb IIIC T85°C, T95°C, T130°C Db
Explosion ambient temperature	T4, T130°C: -30°C ≤ Ta ≤ +60°C, T5, T95°C: -30°C ≤ Ta ≤ +60°C, T6, T85°C: -30°C ≤ Ta ≤ +50°C		
Explosion protection certification outside the EU	EPL Db (KR); EPL Gb (KR)	EPL Db (CN); EPL Gb (CN)	EPL Db (BR); EPL Gb (BR)
Certificate issuing authority	21-AV4BO-0279X 22-AV4BO-0051X	GYJ23.1170X	INMETRO DNV 17.0042X

Materials - Solenoid coils S for Armature tube 13 mm, power consumption 1.8 W

Certification	None	KOSHA (Ex certification Korea, EPL Gb and Db)	CCC-Ex (Ex certification China, EPL Gb and Db)	INMETRO (Ex certification Brazil, EPL Gb and Db)
Material solenoid coil	PA; UP	–		
Note on materials	RoHS-compliant			
LABS (PWIS) conformity	VDMA24364 zone III			

Datasheet

Operating and environmental conditions - Solenoid coils S for Armature tube 13 mm, power consumption 1.8 W

Certification	None							
Electrical connection	Type A, Plugs, To EN 175301-803				Terminal box, cable entry thread M20x1.5			
Characteristic coil data	110 V DC: 1.8 W, 110 V AC: 50/60 Hz, power 1.8 VA	230 V DC: 1.8 W, 230 V AC: 50/60 Hz, power 1.8 VA	24 V DC: 2.1 W	24 V DC: 2.1 W, 24 V AC: 50/60 Hz, Power 2.1 VA	110 V DC: 1.8 W, 110 V AC: 40/65 Hz, power 1.8 VA	230 V DC: 1.8 W, 230 V AC: 40/65 Hz, power 1.8 VA	24 V DC: 1.8 W, 24 V AC: 40/65 Hz, power 1.8 VA	60 V AC: 40/65 Hz, power 1.8 VA, 60 V DC: 1.8 W
Ambient temperature	-20 ... 60°C							
Corrosion resistance class CRC ¹⁾	4 - Very high corrosion stress							
CE mark (see declaration of conformity) ²⁾	To EU Low Voltage Directive			–	To EU Explosion Protection Directive (ATEX) In accordance with EU RoHS Directive			
UKCA marking (see declaration of conformity)	To UK regulations for electrical equipment			–	To UK EX instructions To UK RoHS instructions			

1) More information www.festo.com/x/topic/kbk

2) More information www.festo.com/catalogue/... Support/Downloads.

Operating and environmental conditions - Solenoid coils S for Armature tube 13 mm, power consumption 1.8 W

Certification	KOSHA (Ex certification Korea, EPL Gb and Db)	CCC-Ex (Ex certification China, EPL Gb and Db)	INMETRO (Ex certification Brazil, EPL Gb and Db)
Ambient temperature	–		
Corrosion resistance class CRC ¹⁾	–		
CE mark (see declaration of conformity) ²⁾	–		
UKCA marking (see declaration of conformity)	–		

1) More information www.festo.com/x/topic/kbk

2) More information www.festo.com/catalogue/... Support/Downloads.

General technical data - Solenoid coils S for Armature tube 18 mm, power consumption 1.8 W

Electrical connection	Terminal box, cable entry thread M20x1.5 Terminal box, cable entry thread NPT1/2
Type of actuation	Electric
Mounting position	optional
Switching position indicator	no
Product weight	1,700 g

Electrical data - Solenoid coils S for Armature tube 18 mm, power consumption 1.8 W

Characteristic coil data	230 V AC: 50/60 Hz, power 1.8 VA
Power consumption	1.8 W
Permissible voltage fluctua- tions	-15%/+10%
Duty cycle	100%
Insulation material class	H
Degree of protection	IP65

ATEX - Solenoid coils S for Armature tube 18 mm, power consumption 1.8 W

ATEX category gas	II 2G
Explosion ignition protection type for gas	Ex db IIC T6, T5, T4 Gb
ATEX category dust	II 2D
Explosion ignition protection type for dust	Ex tb IIIC T80°C, 95°C, 130°C Db
Explosion ambient tempera- ture	T4, T130°C: -50°C ≤ Ta ≤ +90°C, T5, T95°C: -50°C ≤ Ta ≤ +55°C, T6, T80°C: -50°C ≤ Ta ≤ +40°C
Explosion protection certifica- tion outside the EU	EPL Db (GB); EPL Db (IEC-EX); EPL Gb (GB); EPL Gb (IECEx)
Certificate issuing authority	BVS15ATEXE135 IECExBVS.15.0116

Datasheet

Materials - Solenoid coils S for Armature tube 18 mm, power consumption 1.8 W

Material solenoid coil	Wrought aluminium alloy; Grey cast iron
Note on materials	RoHS-compliant
LABS (PWIS) conformity	VDMA24364 zone III

Operating and environmental conditions - Solenoid coils S for Armature tube 18 mm, power consumption 1.8 W

Ambient temperature	–
Corrosion resistance class CRC ¹⁾	4 - Very high corrosion stress
CE mark (see declaration of conformity) ²⁾	To EU Explosion Protection Directive (ATEX) In accordance with EU RoHS Directive
UKCA marking (see declaration of conformity)	To UK EX instructions To UK RoHS instructions

1) More information www.festo.com/x/topic/kbk

2) More information www.festo.com/catalogue/... Support/Downloads.

General technical data - Solenoid coils S for Armature tube 18 mm, power consumption 2.5 W

Electrical connection	Terminal box, cable entry thread M20x1.5 Terminal box, cable entry thread NPT1/2
Type of actuation	Electric
Mounting position	optional
Switching position indicator	no
Product weight	1,700 g

Electrical data - Solenoid coils S for Armature tube 18 mm, power consumption 2.5 W

Characteristic coil data	110 V AC: 50/60 Hz, power 2.5 VA 110 V DC: 2.5 W 230 V AC: 50/60 Hz, power 2.5 VA 230 V DC: 2.5 W 24 V DC: 2.5 W 24 V AC: 50/60 Hz, power 2.5 VA
Power consumption	2.5 W
Permissible voltage fluctuations	-15%/+10%
Duty cycle	100%
Insulation material class	H
Degree of protection	IP65

ATEX - Solenoid coils S for Armature tube 18 mm, power consumption 2.5 W

ATEX category gas	II 2G
Explosion ignition protection type for gas	Ex db IIC T6, T5, T4 Gb
ATEX category dust	II 2D
Explosion ignition protection type for dust	Ex tb IIIC T80°C, 95°C, 130°C Db
Explosion ambient temperature	T4, T130°C: -50°C ≤ Ta ≤ +90°C, T5, T95°C: -50°C ≤ Ta ≤ +55°C, T6, T80°C: -50°C ≤ Ta ≤ +40°C
Explosion protection certification outside the EU	EPL Db (GB); EPL Db (IEC-EX); EPL Gb (GB); EPL Gb (IECEx)
Certificate issuing authority	BVS15ATEXE135 IECExBVS.15.0116

Materials - Solenoid coils S for Armature tube 18 mm, power consumption 2.5 W

Material solenoid coil	Wrought aluminium alloy; Grey cast iron
Note on materials	RoHS-compliant
LABS (PWIS) conformity	VDMA24364 zone III

Datasheet

Operating and environmental conditions - Solenoid coils S for Armature tube 18 mm, power consumption 2.5 W

Ambient temperature	–
Corrosion resistance class CRC ¹⁾	4 - Very high corrosion stress
CE mark (see declaration of conformity) ²⁾	To EU Explosion Protection Directive (ATEX) In accordance with EU RoHS Directive
UKCA marking (see declaration of conformity)	To UK EX instructions To UK RoHS instructions

1) More information www.festo.com/x/topic/kbk

2) More information www.festo.com/catalogue/... Support/Downloads.

General technical data - Solenoid coils S for Armature tube 18 mm, power consumption 3.5 W

Electrical connection	Type A, Plugs, To EN 175301-803				Terminal box, cable entry thread M20x1.5		
Characteristic coil data	110 V AC: 50/60 Hz, power 3.5 VA	230 V AC: 50/60 Hz, power 3.5 VA	24 V DC: 3.5 W	24 V AC: 50/60 Hz, power 3.5 VA	110 V AC: 50/60 Hz, power 3.5 VA, 110 V DC: 3.5 W	230 V AC: 50/60 Hz, power 3.5 VA, 230 V DC: 3.5 W	24 V DC: 3.5 W, 24 V AC: 50/60 Hz, power 3.5 VA
Type of actuation	Electric						
Mounting position	optional						
Switching position indicator	no						
Product weight	530 g	580 g	530 g	580 g			

Electrical data - Solenoid coils S for Armature tube 18 mm, power consumption 3.5 W

Certification	None
Electrical connection	Type A, Plugs, To EN 175301-803
Characteristic coil data	110 V AC: 50/60 Hz, power 3.5 VA 230 V AC: 50/60 Hz, power 3.5 VA 24 V DC: 3.5 W 24 V AC: 50/60 Hz, power 3.5 VA
Power consumption	3.5 W
Permissible voltage fluctuations	-15%/+10%
Duty cycle	100%
Insulation material class	H
Degree of protection	IP65

Electrical data - Solenoid coils S for Armature tube 18 mm, power consumption 3.5 W

Certification	None
Electrical connection	Terminal box, cable entry thread M20x1.5
Characteristic coil data	110 V AC: 50/60 Hz, power 3.5 VA 110 V DC: 3.5 W 230 V AC: 50/60 Hz, power 3.5 VA 230 V DC: 3.5 W 24 V DC: 3.5 W 24 V AC: 50/60 Hz, power 3.5 VA
Power consumption	3.5 W
Permissible voltage fluctuations	-15%/+10%
Duty cycle	100%
Insulation material class	H
Degree of protection	IP66

Datasheet

Electrical data - Solenoid coils S for Armature tube 18 mm, power consumption 3.5 W

Certification	KOSHA (Ex certification Korea, EPL Gb and Db)	CCC-Ex (Ex certification China, EPL Gb and Db)	INMETRO (Ex certification Brazil, EPL Gb and Db)
Electrical connection	Terminal box, cable entry thread M20x1.5		
Characteristic coil data	110 V AC: 50/60 Hz, power 3.5 VA 110 V DC: 3.5 W 230 V AC: 50/60 Hz, power 3.5 VA 230 V DC: 3.5 W 24 V DC: 3.5 W 24 V AC: 50/60 Hz, power 3.5 VA		
Power consumption	3.5 W		
Permissible voltage fluctuations	-15%/+10%		
Duty cycle	100%		
Insulation material class	H		
Degree of protection	IP66		

ATEX - Solenoid coils S for Armature tube 18 mm, power consumption 3.5 W

Certification	None
Electrical connection	Type A, Plugs, To EN 175301-803
ATEX category gas	–
Explosion ignition protection type for gas	–
ATEX category dust	–
Explosion ignition protection type for dust	–
Explosion ambient temperature	–
Explosion protection certification outside the EU	–
Certificate issuing authority	–

ATEX - Solenoid coils S for Armature tube 18 mm, power consumption 3.5 W

Certification	None		
Electrical connection	Terminal box, cable entry thread M20x1.5		
Characteristic coil data	110 V AC: 50/60 Hz, power 3.5 VA, 110 V DC: 3.5 W	230 V AC: 50/60 Hz, power 3.5 VA, 230 V DC: 3.5 W	24 V DC: 3.5 W, 24 V AC: 50/60 Hz, power 3.5 VA
ATEX category gas	II 2G		
Explosion ignition protection type for gas	Ex eb mb IIC T* Gb		
ATEX category dust	II 2D		
Explosion ignition protection type for dust	Ex tb IIIC T* C Db		
Explosion ambient temperature	T5/T95°C: -25°C ≤ Ta ≤ +60°C, T6/T80°C: -25°C ≤ Ta ≤ +50°C		
Explosion protection certification outside the EU	EPL Db (GB); EPL Db (IEC-EX); EPL Gb (GB); EPL Gb (IECEX)		
Certificate issuing authority	German Technical Control Board (TÜV) 21 UKEX 7017 X	BVS 16ATEXE036X IECEX BVS16.0028X German Technical Control Board (TÜV) 21 UKEX 7017 X	German Technical Control Board (TÜV) 21 UKEX 7017 X

Datasheet

ATEX - Solenoid coils S for Armature tube 18 mm, power consumption 3.5 W

Certification	KOSHA (Ex certification Korea, EPL Gb and Db)	CCC-Ex (Ex certification China, EPL Gb and Db)	INMETRO (Ex certification Brazil, EPL Gb and Db)
ATEX category gas	–		
Explosion ignition protection type for gas	Ex e mb IIC T5, T6	Ex eb mb IIC T5/T6 Gb	Ex eb mb IIC T6, T5 Gb
ATEX category dust	–		
Explosion ignition protection type for dust	Ex tD A21 IP66 T85/T95°C	Ex tb IIIC T95°C/T80°C Db	Ex tb IIIC T80°C, T95°C Db
Explosion ambient temperature	T5, T95°C: -25°C ≤ Ta ≤ +60°C, T6, T80°C: -25°C ≤ Ta ≤ +50°C		
Explosion protection certification outside the EU	EPL Db (KR); EPL Gb (KR)	EPL Db (CN); EPL Gb (CN)	EPL Db (BR); EPL Gb (BR)
Certificate issuing authority	22-AV4BO-0256X 22-AV4BO-0257X	GYJ23.1169X	INMETRO DNV 19.0135X

Materials - Solenoid coils S for Armature tube 18 mm, power consumption 3.5 W

Certification	None	KOSHA (Ex certification Korea, EPL Gb and Db)	CCC-Ex (Ex certification China, EPL Gb and Db)	INMETRO (Ex certification Brazil, EPL Gb and Db)
Material solenoid coil	PA; Steel	–		
Note on materials	RoHS-compliant			
LABS (PWIS) conformity	VDMA24364 zone III			

Operating and environmental conditions - Solenoid coils S for Armature tube 18 mm, power consumption 3.5 W

Certification	None			
Electrical connection	Type A, Plugs, To EN 175301-803			
Characteristic coil data	110 V AC: 50/60 Hz, power 3.5 VA	230 V AC: 50/60 Hz, power 3.5 VA	24 V DC: 3.5 W	24 V AC: 50/60 Hz, power 3.5 VA
Ambient temperature	-20 ... 60°C			
Corrosion resistance class CRC ¹⁾	4 - Very high corrosion stress			
CE mark (see declaration of conformity) ²⁾	To EU Low Voltage Directive	–		
UKCA marking (see declaration of conformity)	To UK regulations for electrical equipment	–		

1) More information www.festo.com/x/topic/kbk

2) More information www.festo.com/catalogue/... Support/Downloads.

Operating and environmental conditions - Solenoid coils S for Armature tube 18 mm, power consumption 3.5 W

Certification	None			
Electrical connection	Terminal box, cable entry thread M20x1.5			
Characteristic coil data	110 V AC: 50/60 Hz, power 3.5 VA, 110 V DC: 3.5 W	230 V AC: 50/60 Hz, power 3.5 VA, 230 V DC: 3.5 W	24 V DC: 3.5 W, 24 V AC: 50/60 Hz, power 3.5 VA	
Ambient temperature	–			
Corrosion resistance class CRC ¹⁾	–			
CE mark (see declaration of conformity) ²⁾	In accordance with EU RoHS Directive	To EU Explosion Protection Directive (ATEX) In accordance with EU RoHS Directive	In accordance with EU RoHS Directive	
UKCA marking (see declaration of conformity)	To UK EX instructions To UK RoHS instructions			

1) More information www.festo.com/x/topic/kbk

2) More information www.festo.com/catalogue/... Support/Downloads.

Datasheet

Operating and environmental conditions - Solenoid coils S for Armature tube 18 mm, power consumption 3.5 W

Certification	KOSHA (Ex certification Korea, EPL Gb and Db)	CCC-Ex (Ex certification China, EPL Gb and Db)	INMETRO (Ex certification Brazil, EPL Gb and Db)
Ambient temperature	-		
Corrosion resistance class CRC ¹⁾	-		
CE mark (see declaration of conformity) ²⁾	-		
UKCA marking (see declaration of conformity)	-		

1) More information www.festo.com/x/topic/kbk

2) More information www.festo.com/catalogue/... Support/Downloads.

General technical data - Solenoid coils S for Armature tube 18 mm, power consumption 7 W

Type of actuation	Electric
Mounting position	optional
Switching position indicator	no
Product weight	1,700 g

Electrical data - Solenoid coils S for Armature tube 18 mm, power consumption 7 W

Certification	None
Characteristic coil data	110 V AC: 50/60 Hz, power 7.0 VA 110 V DC: 7.0 W 120 V AC: 50/60 Hz, power 7.0 VA 120 V DC: 7.0 W 230 V AC: 50/60 Hz, power 7.0 VA 230 V DC: 7.0 W 24 V AC: 50/60 Hz, power 7.0 VA 24 V DC: 7.0 W 48 V AC: 50/60 Hz, power 7.0 VA 48 V DC: 7.0 W
Power consumption	7 W
Permissible voltage fluctuations	-15%/+10%
Duty cycle	100%
Insulation material class	H
Degree of protection	IP65

Electrical data - Solenoid coils S for Armature tube 18 mm, power consumption 7 W

Certification	cULus, hazardous environment, USA and Canada (NEC 500, Class 1 Div 2)
Characteristic coil data	125 V DC: 7.0 W 220 V DC: 7.0 W 24 V DC: 7.0 W 48 V DC: 7.0 W
Power consumption	7 W
Permissible voltage fluctuations	-15%/+10%
Duty cycle	100%
Insulation material class	H
Degree of protection	IP65

Datasheet

ATEX - Solenoid coils S for Armature tube 18 mm, power consumption 7 W

Certification	None
ATEX category gas	II 2G
Explosion ignition protection type for gas	Ex db IIC T6, T5, T4 Gb
ATEX category dust	II 2D
Explosion ignition protection type for dust	Ex tb IIIC T80°C, 95°C, 130°C Db
Explosion ambient temperature	T4, T130°C: -50°C ≤ Ta ≤ +90°C, T5, T95°C: -50°C ≤ Ta ≤ +55°C, T6, T80°C: -50°C ≤ Ta ≤ +40°C
Explosion protection certification outside the EU	EPL Db (GB); EPL Db (IEC-EX); EPL Gb (GB); EPL Gb (IECEX)
Certificate issuing authority	BVS15ATEXE135 IECEXBVS.15.0116

ATEX - Solenoid coils S for Armature tube 18 mm, power consumption 7 W

Certification	cULus, hazardous environment, USA and Canada (NEC 500, Class 1 Div 2)
ATEX category gas	–
Explosion ignition protection type for gas	–
ATEX category dust	–
Explosion ignition protection type for dust	–
Explosion ambient temperature	T4A, 120°C: -25°C ≤ Ta ≤ +80°C
Explosion protection certification outside the EU	Class I, Div. 2 (CA); Class I, Div. 2 (US)
Certificate issuing authority	–

Materials - Solenoid coils S for Armature tube 18 mm, power consumption 7 W

Material solenoid coil	Wrought aluminium alloy; Grey cast iron
Note on materials	RoHS-compliant
LABS (PWIS) conformity	VDMA24364 zone III

Operating and environmental conditions - Solenoid coils S for Armature tube 18 mm, power consumption 7 W

Certification	None
Ambient temperature	–
Corrosion resistance class CRC ¹⁾	4 - Very high corrosion stress
CE mark (see declaration of conformity) ²⁾	To EU Explosion Protection Directive (ATEX) In accordance with EU RoHS Directive
UKCA marking (see declaration of conformity)	To UK EX instructions To UK RoHS instructions

1) More information www.festo.com/x/topic/kbk

2) More information www.festo.com/catalogue/... Support/Downloads.

Operating and environmental conditions - Solenoid coils S for Armature tube 18 mm, power consumption 7 W

Certification	cULus, hazardous environment, USA and Canada (NEC 500, Class 1 Div 2)			
Characteristic coil data	125 V DC: 7.0 W	220 V DC: 7.0 W	24 V DC: 7.0 W	48 V DC: 7.0 W
Ambient temperature	–			
Corrosion resistance class CRC ¹⁾	4 - Very high corrosion stress			
CE mark (see declaration of conformity) ²⁾	To EU Low Voltage Directive		–	
UKCA marking (see declaration of conformity)	–			

1) More information www.festo.com/x/topic/kbk

2) More information www.festo.com/catalogue/... Support/Downloads.

Datasheet

General technical data - Solenoid coils S for Armature tube 18 mm, power consumption 12 W

Electrical connection	Terminal box, cable entry thread M20x1.5	Type A, Plugs, To EN 175301-803
Type of actuation	Electric	
Mounting position	optional	
Switching position indicator	no	
Product weight	580 g	530 g

Electrical data - Solenoid coils S for Armature tube 18 mm, power consumption 12 W

Certification	None		
Characteristic coil data	24 V DC: 12.0 W	48 V DC: 12.0 W	60 V DC: 12.0 W
Power consumption	12 W		
Permissible voltage fluctuations	-15%/+10%		
Duty cycle	100%		
Insulation material class	H		
Degree of protection	IP65	IP66	

Electrical data - Solenoid coils S for Armature tube 18 mm, power consumption 12 W

Certification	None		
Characteristic coil data	110 V AC: 50/60 Hz, power 12.0 VA 230 V AC: 50/60 Hz, power 12.0 VA 24 V AC: 50/60 Hz, power 12.0 VA		
Power consumption	12 W		
Permissible voltage fluctuations	-15%/+10%		
Duty cycle	100%		
Insulation material class	H		
Degree of protection	IP65		

Electrical data - Solenoid coils S for Armature tube 18 mm, power consumption 12 W

Certification	None		
Characteristic coil data	110 V AC: 50/60 Hz, power 12.0 VA 110 V DC: 12.0 W 230 V AC: 50/60 Hz, power 12.0 VA 230 V DC: 12.0 W 24 V AC: 50/60 Hz, power 12.0 VA 24 V DC: 12.0 W		
Power consumption	12 W		
Permissible voltage fluctuations	-15%/+10%		
Duty cycle	100%		
Insulation material class	H		
Degree of protection	IP66		

Electrical data - Solenoid coils S for Armature tube 18 mm, power consumption 12 W

Certification	KOSHA (Ex certification Korea, EPL Gb and Db)	CCC-Ex (Ex certification China, EPL Gb and Db)	INMETRO (Ex certification Brazil, EPL Gb and Db)
Characteristic coil data	110 V AC: 50/60 Hz, power 12.0 VA 110 V DC: 12.0 W 230 V AC: 50/60 Hz, power 12.0 VA 230 V DC: 12.0 W 24 V AC: 50/60 Hz, power 12.0 VA 24 V DC: 12.0 W 48 V DC: 12.0 W 60 V DC: 12.0 W		
Power consumption	12 W		
Permissible voltage fluctuations	-15%/+10%		
Duty cycle	100%		
Insulation material class	H		
Degree of protection	IP66		

Datasheet

ATEX - Solenoid coils S for Armature tube 18 mm, power consumption 12 W

Certification	None		
Characteristic coil data	24 V DC: 12.0 W	48 V DC: 12.0 W	60 V DC: 12.0 W
ATEX category gas	–		
Explosion ignition protection type for gas	–		
ATEX category dust	II 2G		
Explosion ignition protection type for dust	Ex eb mb IICT* Gb		
ATEX category dust	–		
Explosion ignition protection type for dust	–		
Explosion ambient temperature	T4/T120°C: -25°C ≤ Ta ≤ +40°C		
Explosion protection certification outside the EU	EPL Db (GB); EPL Db (IEC-EX); EPL Gb (GB); EPL Gb (IECEX)		
Certificate issuing authority	German Technical Control Board (TÜV) 21 UKEX 7017 X		

ATEX - Solenoid coils S for Armature tube 18 mm, power consumption 12 W

Certification	None		
Characteristic coil data	110 V AC: 50/60 Hz, power 12.0 VA	230 V AC: 50/60 Hz, power 12.0 VA	24 V AC: 50/60 Hz, power 12.0 VA
ATEX category gas	–		
Explosion ignition protection type for gas	–		
ATEX category dust	–		
Explosion ignition protection type for dust	–		
Explosion ambient temperature	–		
Explosion protection certification outside the EU	–		
Certificate issuing authority	–		

ATEX - Solenoid coils S for Armature tube 18 mm, power consumption 12 W

Certification	None		
Characteristic coil data	110 V AC: 50/60 Hz, power 12.0 VA, 110 V DC: 12.0 W	230 V AC: 50/60 Hz, power 12.0 VA, 230 V DC: 12.0 W	24 V AC: 50/60 Hz, power 12.0 VA, 24 V DC: 12.0 W
ATEX category gas	II 2G		
Explosion ignition protection type for gas	Ex eb mb IICT* Gb		
ATEX category dust	II 2D		
Explosion ignition protection type for dust	Ex tb IICT*°C Db		
Explosion ambient temperature	T4/T120°C: -25°C ≤ Ta ≤ +40°C		
Explosion protection certification outside the EU	EPL Db (GB); EPL Db (IEC-EX); EPL Gb (GB); EPL Gb (IECEX)		
Certificate issuing authority	BVS 16ATEXE036X IECEX BVS16.0028X German Technical Control Board (TÜV) 21 UKEX 7017 X	German Technical Control Board (TÜV) 21 UKEX 7017 X	BVS 16ATEXE036X IECEX BVS16.0028X German Technical Control Board (TÜV) 21 UKEX 7017 X

Datasheet

ATEX - Solenoid coils S for Armature tube 18 mm, power consumption 12 W

Certification	KOSHA (Ex certification Korea, EPL Gb and Db)	CCC-Ex (Ex certification China, EPL Gb and Db)	INMETRO (Ex certification Brazil, EPL Gb and Db)
ATEX category gas	–		
Explosion ignition protection type for gas	Ex e mb IICT4	Ex eb mb IICT4 Gb	
ATEX category dust	–		
Explosion ignition protection type for dust	Ex tD A21 IP66 T120°C	Ex tb IICT120°C Db	
Explosion ambient temperature	T4, T120°C: -25°C ≤ Ta ≤ +40°C		
Explosion protection certification outside the EU	EPL Db (KR); EPL Gb (KR)	EPL Db (CN); EPL Gb (CN)	EPL Db (BR); EPL Gb (BR)
Certificate issuing authority	22-AV4BO-0256X 22-AV4BO-0257X	GYJ23.1169X	INMETRO DNV 19.0135X

Materials - Solenoid coils S for Armature tube 18 mm, power consumption 12 W

Certification	None	KOSHA (Ex certification Korea, EPL Gb and Db)	CCC-Ex (Ex certification China, EPL Gb and Db)	INMETRO (Ex certification Brazil, EPL Gb and Db)
Material solenoid coil	PA; Steel	–		
Note on materials	RoHS-compliant			
LABS (PWIS) conformity	VDMA24364 zone III			

Operating and environmental conditions - Solenoid coils S for Armature tube 18 mm, power consumption 12 W

Certification	None		
Electrical connection	Terminal box, cable entry thread M20x1.5		Type A, Plugs, To EN 175301-803
Characteristic coil data	48 V DC: 12.0 W	60 V DC: 12.0 W	24 V DC: 12.0 W
Ambient temperature	–		-20 ... 60°C
Corrosion resistance class CRC ¹⁾	–		4 - Very high corrosion stress
CE mark (see declaration of conformity) ²⁾	In accordance with EU RoHS Directive		–
UKCA marking (see declaration of conformity)	To UK EX instructions To UK RoHS instructions		–

1) More information www.festo.com/x/topic/kbk

2) More information www.festo.com/catalogue/... Support/Downloads.

Operating and environmental conditions - Solenoid coils S for Armature tube 18 mm, power consumption 12 W

Certification	None		
Characteristic coil data	110 V AC: 50/60 Hz, power 12.0 VA	230 V AC: 50/60 Hz, power 12.0 VA	24 V AC: 50/60 Hz, power 12.0 VA
Ambient temperature	-20 ... 60°C		
Corrosion resistance class CRC ¹⁾	4 - Very high corrosion stress		
CE mark (see declaration of conformity) ²⁾	To EU Low Voltage Directive		–
UKCA marking (see declaration of conformity)	To UK regulations for electrical equipment		–

1) More information www.festo.com/x/topic/kbk

2) More information www.festo.com/catalogue/... Support/Downloads.

Datasheet

Operating and environmental conditions - Solenoid coils S for Armature tube 18 mm, power consumption 12 W

Certification	None		
Characteristic coil data	110 V AC: 50/60 Hz, power 12.0 VA, 110 V DC: 12.0 W	230 V AC: 50/60 Hz, power 12.0 VA, 230 V DC: 12.0 W	24 V AC: 50/60 Hz, power 12.0 VA, 24 V DC: 12.0 W
Ambient temperature	–		
Corrosion resistance class CRC ¹⁾	–		
CE mark (see declaration of conformity) ²⁾	To EU Explosion Protection Directive (ATEX) In accordance with EU RoHS Directive	In accordance with EU RoHS Directive	To EU Explosion Protection Directive (ATEX) In accordance with EU RoHS Directive
UKCA marking (see declaration of conformity)	To UK EX instructions To UK RoHS instructions		

1) More information www.festo.com/x/topic/kbk

2) More information www.festo.com/catalogue/... Support/Downloads.

Operating and environmental conditions - Solenoid coils S for Armature tube 18 mm, power consumption 12 W

Certification	KOSHA (Ex certification Korea, EPL Gb and Db)	CCC-Ex (Ex certification China, EPL Gb and Db)	INMETRO (Ex certification Brazil, EPL Gb and Db)
Ambient temperature	–		
Corrosion resistance class CRC ¹⁾	–		
CE mark (see declaration of conformity) ²⁾	–		
UKCA marking (see declaration of conformity)	–		

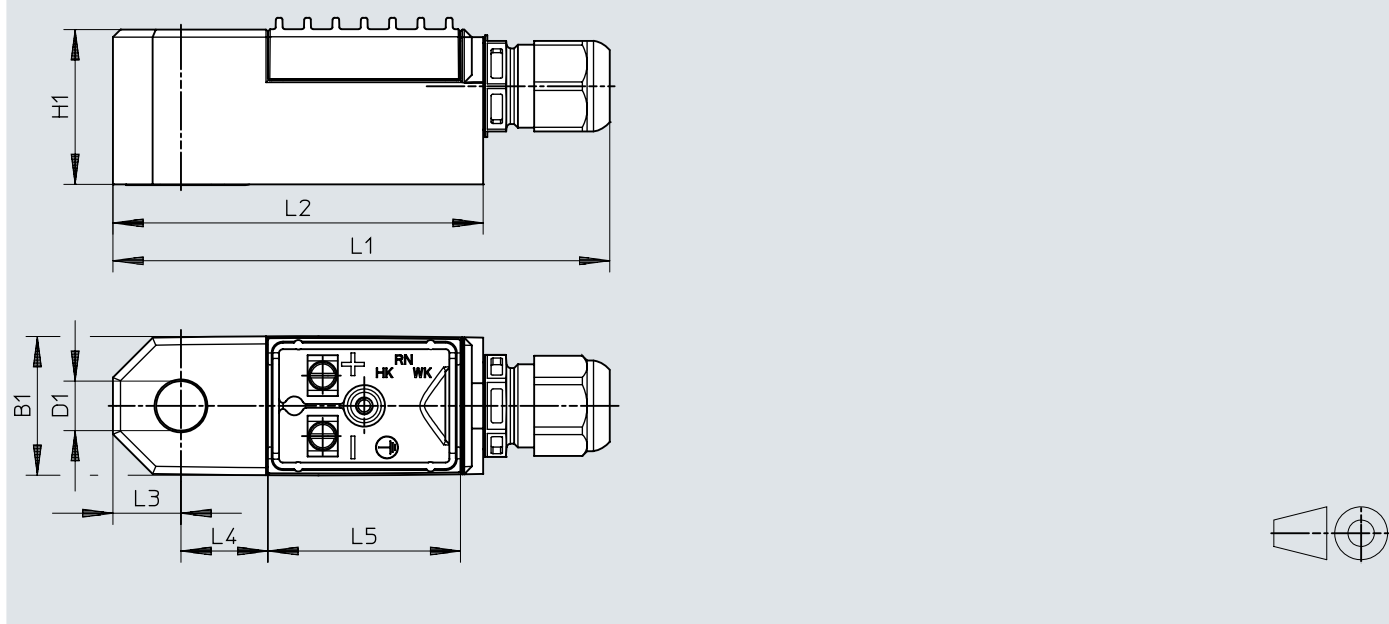
1) More information www.festo.com/x/topic/kbk

2) More information www.festo.com/catalogue/... Support/Downloads.

Dimensions

Dimensions – Solenoid coils S for Armature tube 13 mm, power consumption
1.1 W

Download CAD data www.festo.com

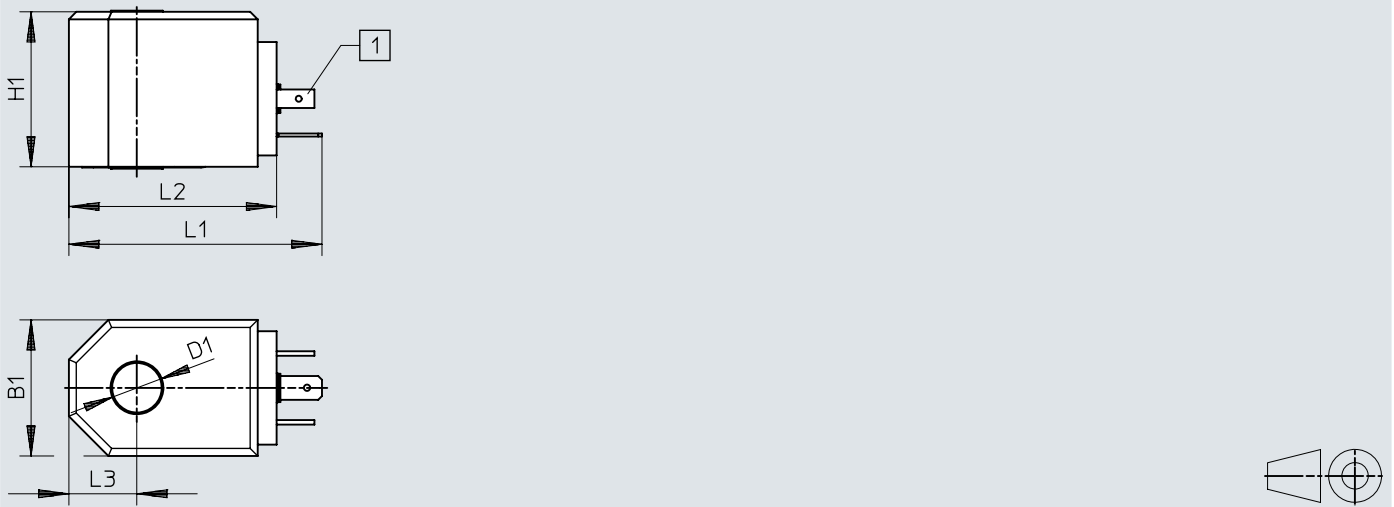


	B1	D1	H1	L1	L2	L3	L4	L5
VACC-S13-11-K4-1	37	13,1	41	131	98	18	23	51

Dimensions

Dimensions – Solenoid coils S for Armature tube 13 mm, power consumption 1.8 W, with electrical connection form A

Download CAD data www.festo.com



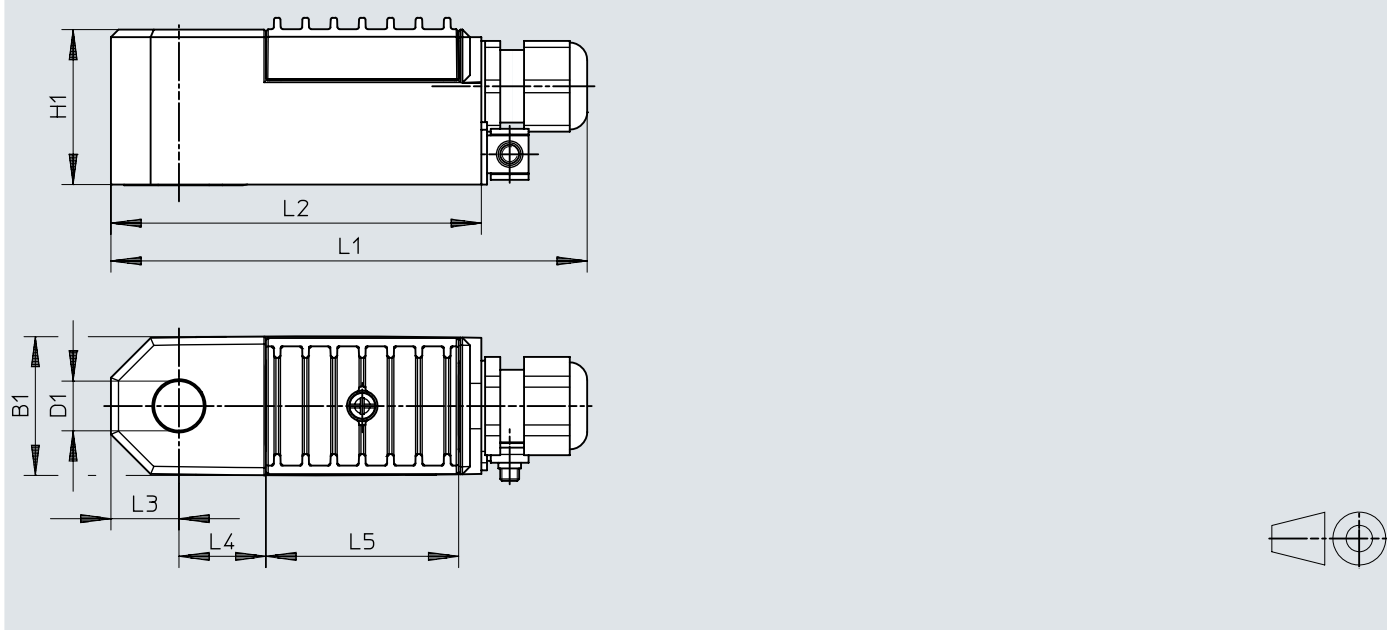
[1] Plug pattern type A, according to EN 175301-803

	B1	D1	H1	L1	L2	L3
VACC-S13-18-A1-...	36	13,1	41	67	55	18

Dimensions

Dimensions – Solenoid coils S for Armature tube 13 mm, power consumption 1.8 W, with electrical connection terminal box

Download CAD data www.festo.com

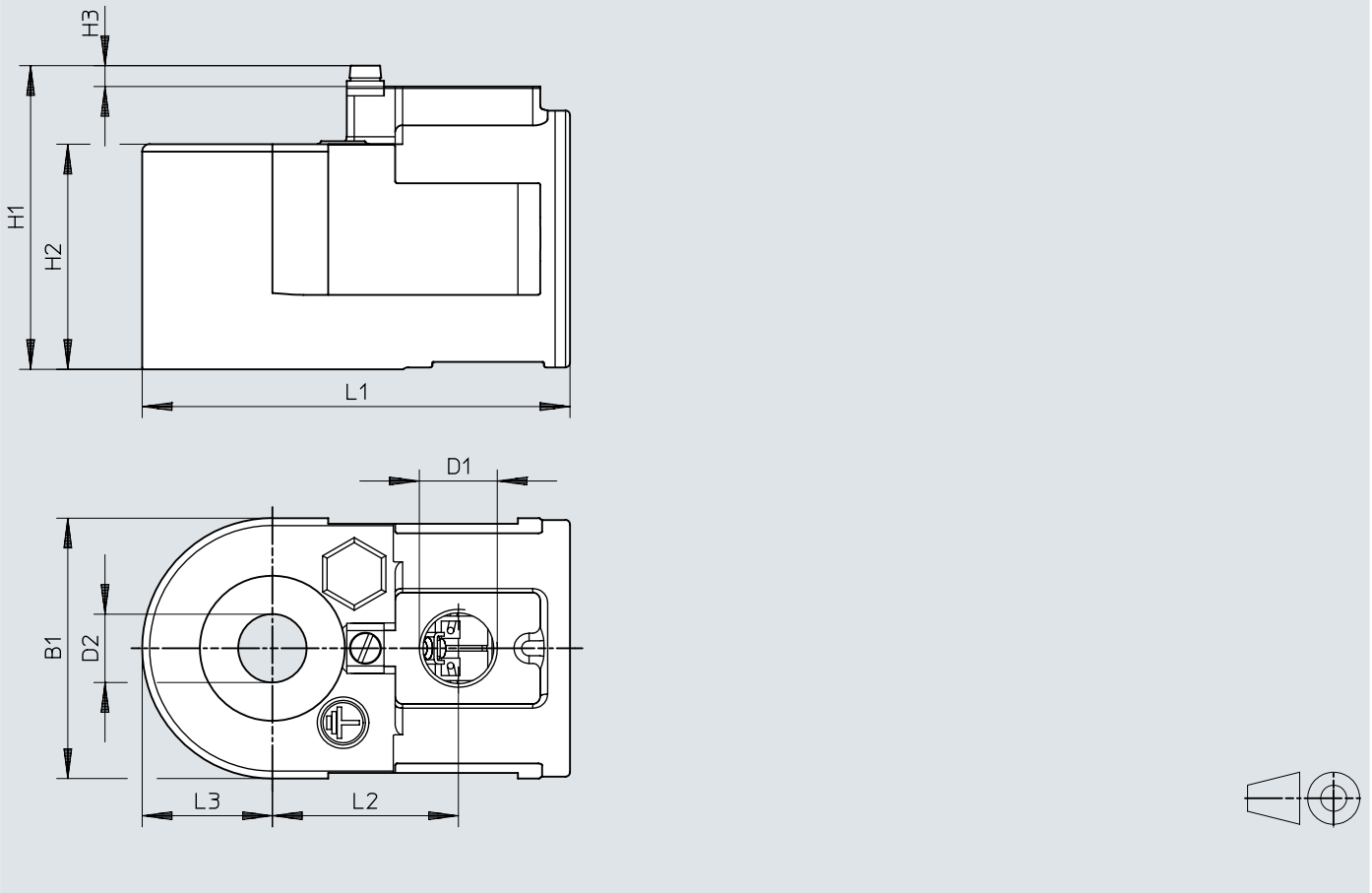


	B1	D1	H1	L1	L2	L3	L4	L5
VACC-S13-18-K4	37	13,1	41	126	98	18	23	51

Dimensions

Dimensions – Solenoid coils S for Armature tube 18 mm, power consumption 1.8 W

Download CAD data www.festo.com

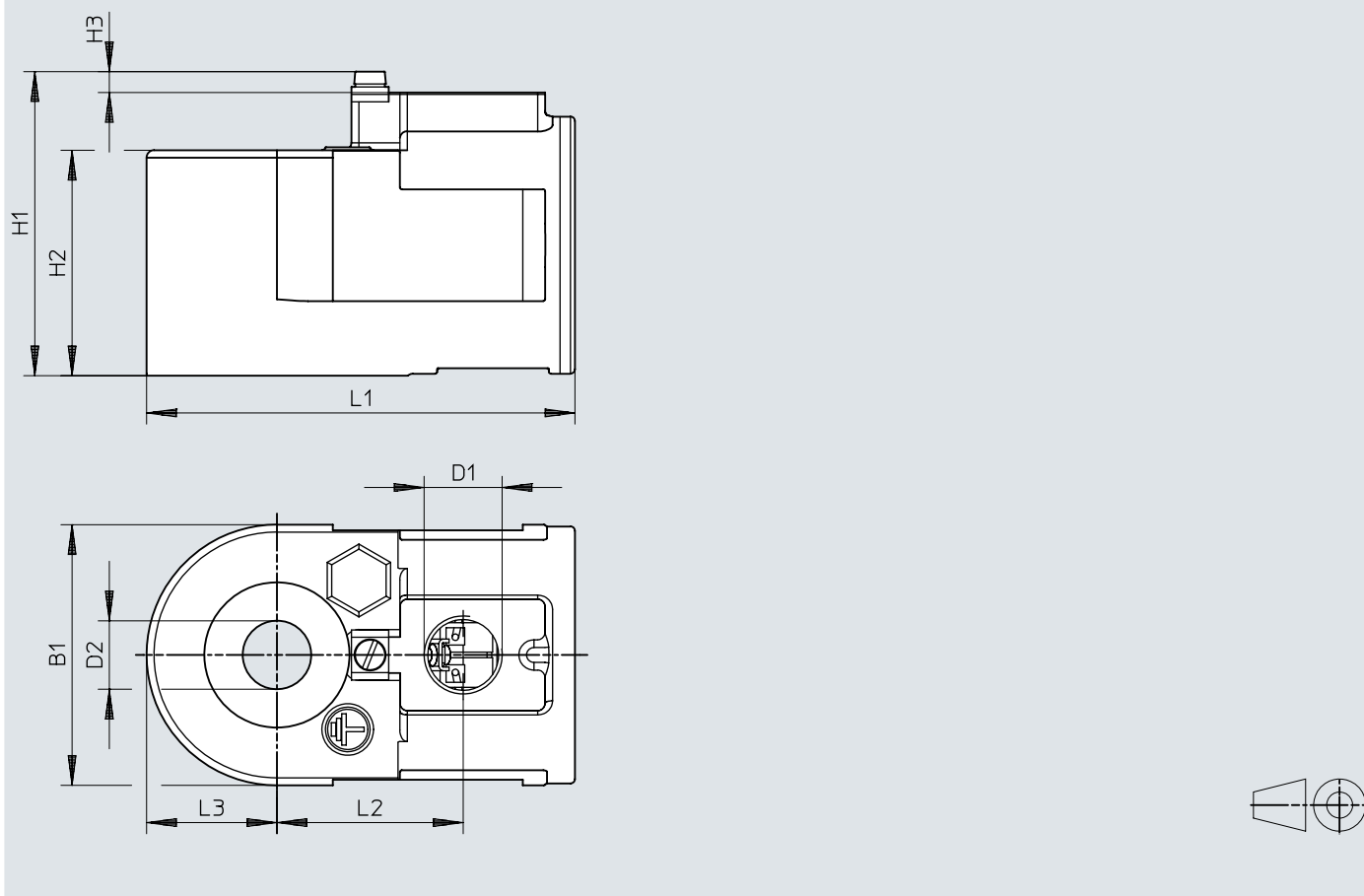


	B1	D1	D2 ∅	H1	H2	H3	L1	L2	L3
VACC-S18-18-K4-3A-EX4D	70	M20x1,5	18,2	82	60,5	6	115	50	35
VACC-S18-18-K5-3A-EX4D		1/2 NPT							

Dimensions

Dimensions – Solenoid coils S for Armature tube 18 mm, power consumption 2.5 W

Download CAD data www.festo.com

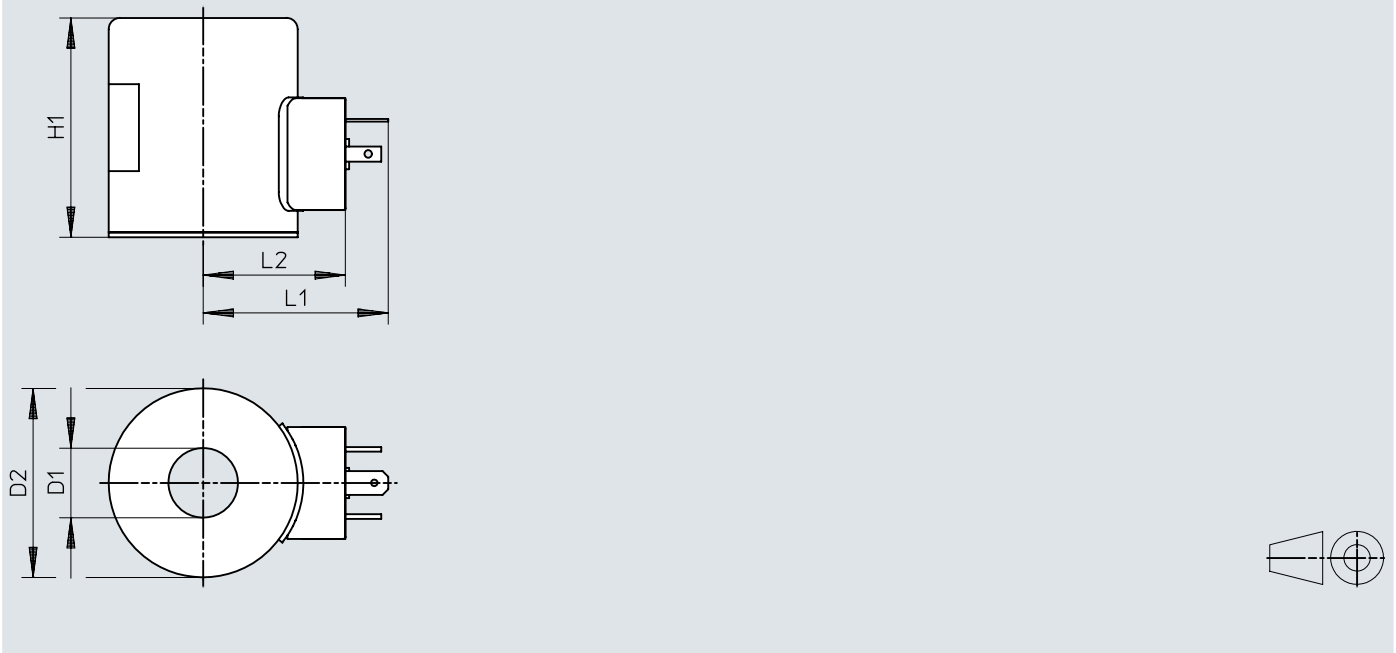


	B1	D1	D2 ∅	H1	H2	H3	L1	L2	L3
VACC-S18-25-K4-...U-EX4D	70	M20x1,5	18,2	82	60,5	6	115	50	35
VACC-S18-25-K5-...U-EX4D		1/2 NPT							

Dimensions

Dimensions – Solenoid coils S for Armature tube 18 mm, power consumption 3.5 W, with electrical connection form A

Download CAD data www.festo.com

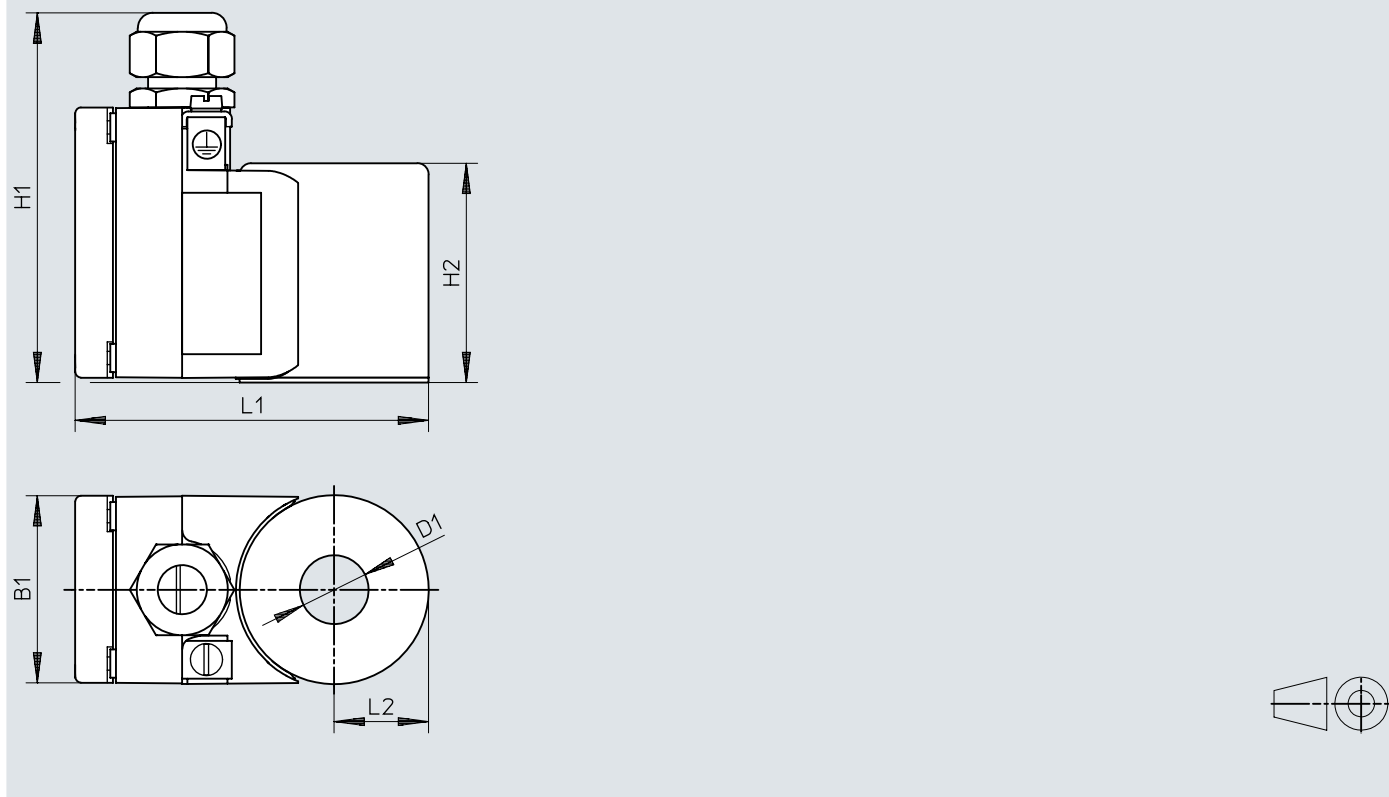


	D1 ∅	D2 ∅	H1	L1	L2
VACC-S18-35A1-1	18,2	50	58	50	38
VACC-S18-35A1-1A					
VACC-S18-35A1-2A					
VACC-S18-35A1-3A					

Dimensions

Dimensions – Solenoid coils S for Armature tube 18 mm, power consumption 3.5 W, with electrical connection terminal box

Download CAD data www.festo.com

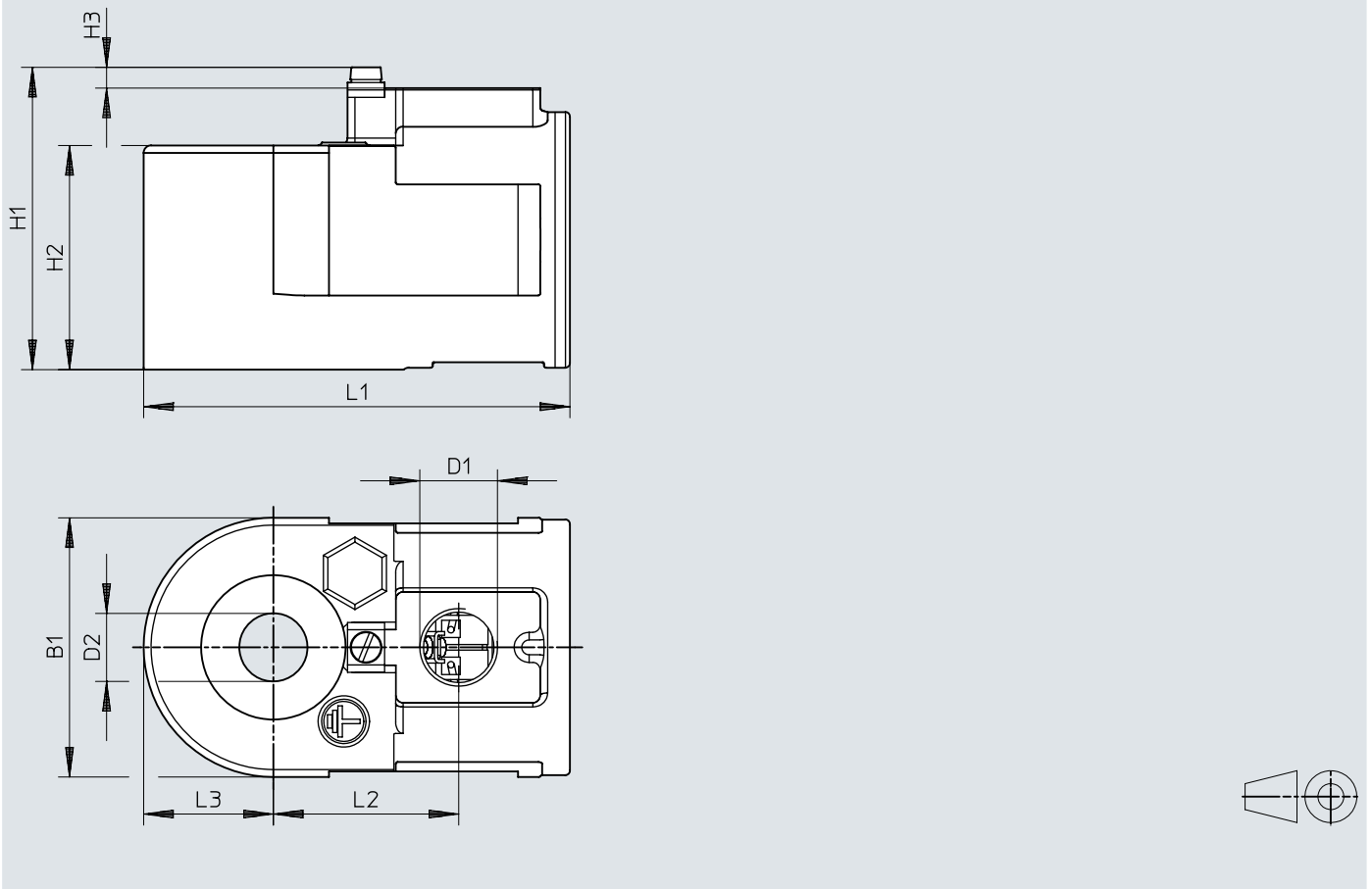


	B1	D1 ∅	H1	H2	L1	L2
VACC-S18-35-K4	50	18,2	100	58	95	25

Dimensions

Dimensions – Solenoid coils S for Armature tube 18 mm, power consumption 7 W

Download CAD data www.festo.com

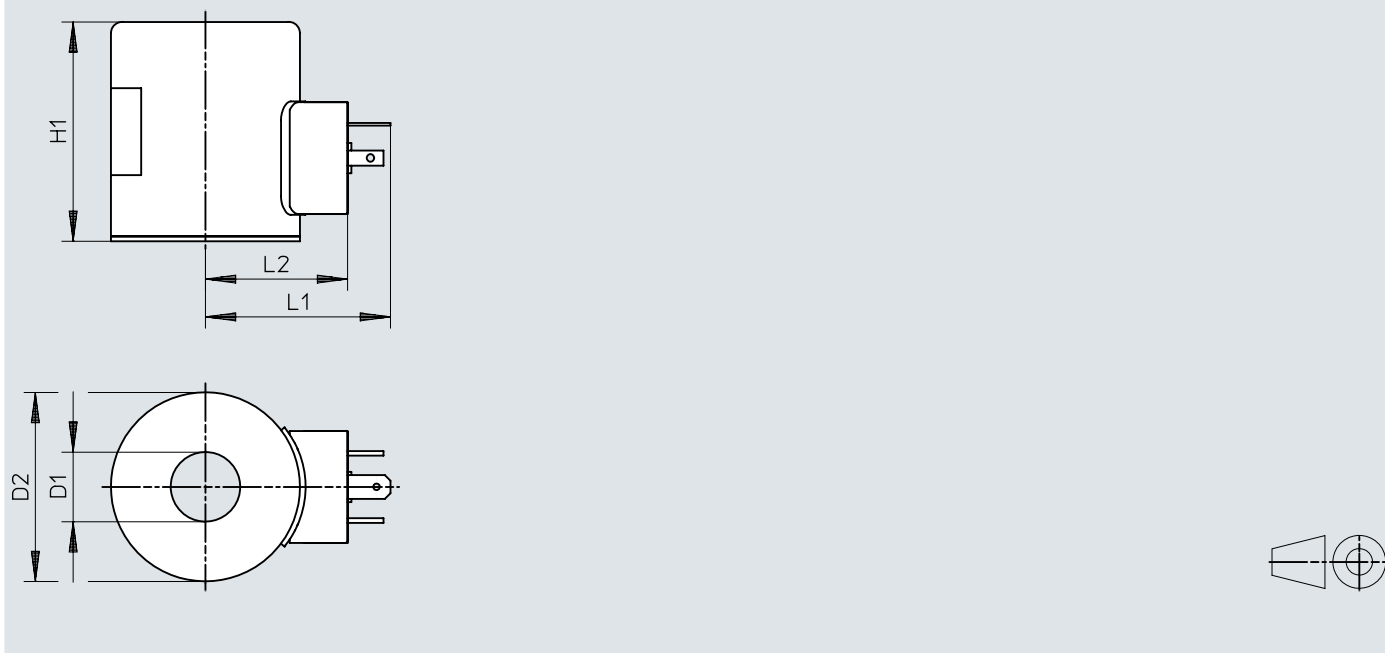


	B1	D1	D2 ∅	H1	H2	H3	L1	L2	L3
VACC-S18-70-K4-...	70	M20x1,5	18,2	82	60,5	6	115	50	35
VACC-S18-70-K5-...	70	1/2 NPT	18,2	82	60,5	6	115	50	35

Dimensions

Dimensions – Solenoid coils S for Armature tube 18 mm, power consumption
12 W, with electrical connection form A

Download CAD data www.festo.com

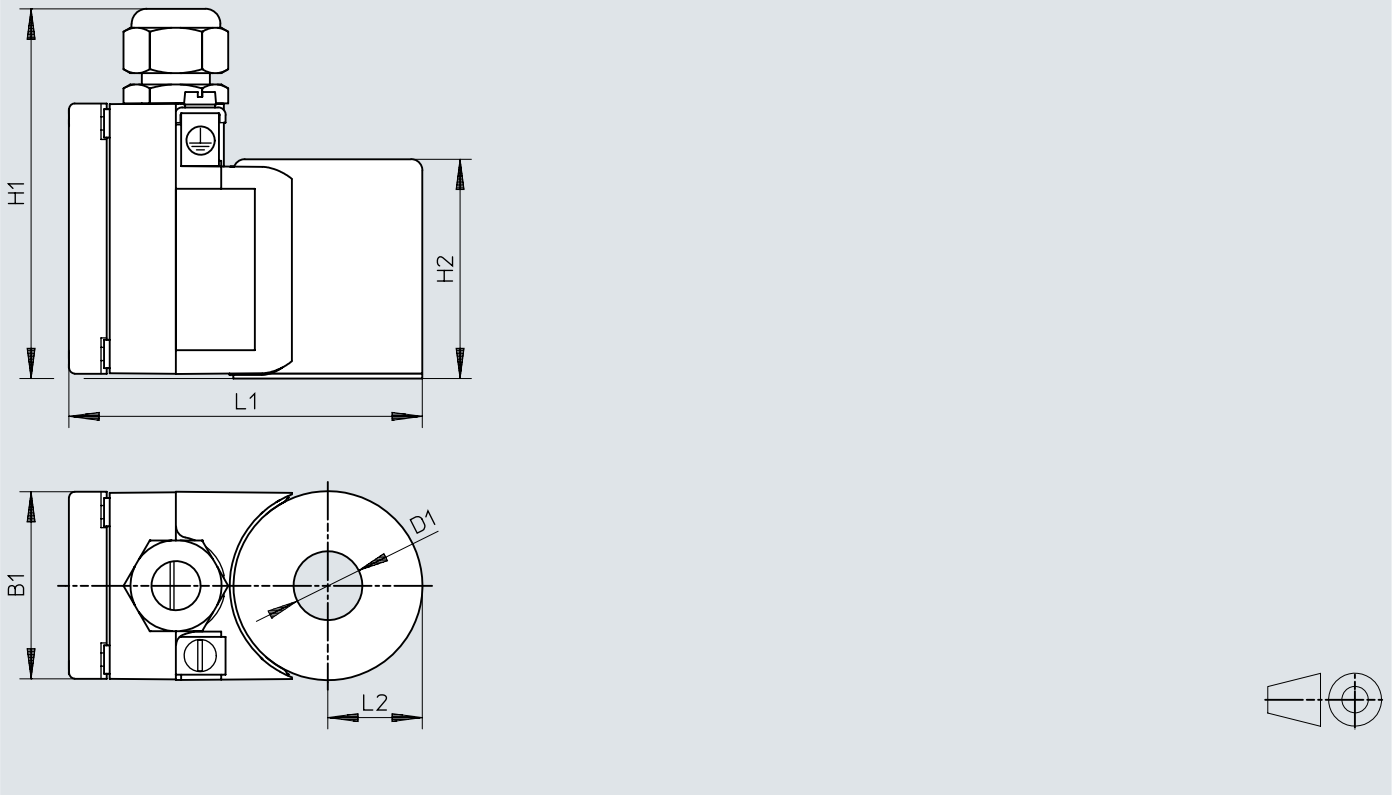


	D1 ∅	D2 ∅	H1	L1	L2
VACC-S18-120-A1-1	18,2	50	58	50	38
VACC-S18-120-A1-1A					
VACC-S18-120-A1-2A					
VACC-S18-120-A1-3A					

Dimensions

Dimensions – Solenoid coils S for Armature tube 18 mm, power consumption 12 W, with electrical connection terminal box

Download CAD data www.festo.com



	B1	D1 ∅	H1	H2	L1	L2
VACC-S18-120-K4	50	18,2	100	58	95	25

Ordering data

Ordering data - Solenoid coils S for Armature tube 13 mm, power consumption 1.1 W				
Certification	Electrical connection	Characteristic coil data	Part no.	Type
None	Terminal box, cable entry thread M20x1.5	14 - 32 V DC: 0.22 - 1.1 W	8109401	VACC-S13-11-K4-1-EX4A
KOSHA (Ex certification Korea, EPL Gb and Db)			8114136	VACC-S13-11-K4-1-KS4A
CCC-Ex (Ex certification China, EPL Gb and Db)			8114135	VACC-S13-11-K4-1-NE4A
INMETRO (Ex certification Brazil, EPL Gb and Db)			8114078	VACC-S13-11-K4-1-NM4A

Ordering data - Solenoid coils S for Armature tube 13 mm, power consumption 1.8 W					
Certification	Electrical connection	Characteristic coil data	Part no.	Type	
None	Type A, Plugs, To EN 175301-803	110 V DC: 1.8 W, 110 V AC: 50/60 Hz, power 1.8 VA	562891	VACC-S13-18-A1-2U	
		230 V DC: 1.8 W, 230 V AC: 50/60 Hz, power 1.8 VA	562892	VACC-S13-18-A1-3U	
		24 V DC: 2.1 W, 24 V AC: 50/60 Hz, Power 2.1 VA	562890	VACC-S13-18-A1-1U	
		24 V DC: 2.1 W	562889	VACC-S13-18-A1-1	
	Terminal box, cable entry thread M20x1.5	110 V DC: 1.8 W, 110 V AC: 40/65 Hz, power 1.8 VA	8109397	VACC-S13-18-K4-2U-EX4ME	
		230 V DC: 1.8 W, 230 V AC: 40/65 Hz, power 1.8 VA	8109398	VACC-S13-18-K4-3U-EX4ME	
		24 V DC: 1.8 W, 24 V AC: 40/65 Hz, power 1.8 VA	8109396	VACC-S13-18-K4-1U-EX4ME	
			8109399	VACC-S13-18-K4-1UF-EX4ME	
		60 V AC: 40/65 Hz, power 1.8 VA, 60 V DC: 1.8 W	8109400	VACC-S13-18-K4-27U-EX4ME	
		KOSHA (Ex certification Korea, EPL Gb and Db)	110 V DC: 1.8 W, 110 V AC: 40/65 Hz, power 1.8 VA	8156760	VACC-S13-18-K4-2U-KS4ME
			230 V DC: 1.8 W, 230 V AC: 40/65 Hz, power 1.8 VA	8156761	VACC-S13-18-K4-3U-KS4ME
			24 V DC: 1.8 W, 24 V AC: 40/65 Hz, power 1.8 VA	8156762	VACC-S13-18-K4-1UF-KS4ME
8156759	VACC-S13-18-K4-1U-KS4ME				
60 V AC: 40/65 Hz, power 1.8 VA, 60 V DC: 1.8 W	8156763	VACC-S13-18-K4-27U-KS4ME			
CCC-Ex (Ex certification China, EPL Gb and Db)	110 V DC: 1.8 W, 110 V AC: 40/65 Hz, power 1.8 VA	8118330	VACC-S13-18-K4-2U-NE4ME		
	230 V DC: 1.8 W, 230 V AC: 40/65 Hz, power 1.8 VA	8118331	VACC-S13-18-K4-3U-NE4ME		
	24 V DC: 1.8 W, 24 V AC: 40/65 Hz, power 1.8 VA	8118332	VACC-S13-18-K4-1UF-NE4ME		
		8118329	VACC-S13-18-K4-1U-NE4ME		
	60 V AC: 40/65 Hz, power 1.8 VA, 60 V DC: 1.8 W	8118333	VACC-S13-18-K4-27U-NE4ME		
INMETRO (Ex certification Brazil, EPL Gb and Db)	110 V DC: 1.8 W, 110 V AC: 40/65 Hz, power 1.8 VA	8118325	VACC-S13-18-K4-2U-NM4ME		
	230 V DC: 1.8 W, 230 V AC: 40/65 Hz, power 1.8 VA	8118326	VACC-S13-18-K4-3U-NM4ME		
	24 V DC: 1.8 W, 24 V AC: 40/65 Hz, power 1.8 VA	8118324	VACC-S13-18-K4-1U-NM4ME		
		8118327	VACC-S13-18-K4-1UF-NM4ME		
	60 V AC: 40/65 Hz, power 1.8 VA, 60 V DC: 1.8 W	8118328	VACC-S13-18-K4-27U-NM4ME		

Ordering data - Solenoid coils S for Armature tube 18 mm, power consumption 1.8 W				
Certification	Electrical connection	Characteristic coil data	Part no.	Type
None	Terminal box, cable entry thread M20x1.5	230 V AC: 50/60 Hz, power 1.8 VA	3504741	VACC-S18-18-K4-3A-EX4D
	Terminal box, cable entry thread NPT1/2		3546734	VACC-S18-18-K5-3A-EX4D

Ordering data

Ordering data - Solenoid coils S for Armature tube 18 mm, power consumption 2.5 W

Certification	Electrical connection	Characteristic coil data	Part no.	Type
None	Terminal box, cable entry thread M20x1.5	110 V AC: 50/60 Hz, power 2.5 VA, 110 V DC: 2.5 W	562904	VACC-S18-25-K4-2U-EX4D
		230 V AC: 50/60 Hz, power 2.5 VA, 230 V DC: 2.5 W	562905	VACC-S18-25-K4-3U-EX4D
		24 V DC: 2.5 W, 24 V AC: 50/60 Hz, power 2.5 VA	562903	VACC-S18-25-K4-1U-EX4D
	Terminal box, cable entry thread NPT1/2	110 V AC: 50/60 Hz, power 2.5 VA, 110 V DC: 2.5 W	562901	VACC-S18-25-K5-2U-EX4D
		230 V AC: 50/60 Hz, power 2.5 VA, 230 V DC: 2.5 W	562902	VACC-S18-25-K5-3U-EX4D
		24 V DC: 2.5 W, 24 V AC: 50/60 Hz, power 2.5 VA	562900	VACC-S18-25-K5-1U-EX4D

Ordering data - Solenoid coils S for Armature tube 18 mm, power consumption 3.5 W

Certification	Electrical connection	Characteristic coil data	Part no.	Type
None	Type A, Plugs, To EN 175301-803	110 V AC: 50/60 Hz, power 3.5 VA	562908	VACC-S18-35-A1-2A
		230 V AC: 50/60 Hz, power 3.5 VA	562909	VACC-S18-35-A1-3A
		24 V DC: 3.5 W	562906	VACC-S18-35-A1-1
		24 V AC: 50/60 Hz, power 3.5 VA	562907	VACC-S18-35-A1-1A
None	Terminal box, cable entry thread M20x1.5	110 V AC: 50/60 Hz, power 3.5 VA, 110 V DC: 3.5 W	8109387	VACC-S18-35-K4-2U-EX4ME
		230 V AC: 50/60 Hz, power 3.5 VA, 230 V DC: 3.5 W	8109386	VACC-S18-35-K4-3U-EX4ME
		24 V DC: 3.5 W, 24 V AC: 50/60 Hz, power 3.5 VA	8109388	VACC-S18-35-K4-1UF-EX4ME
			8109389	VACC-S18-35-K4-1U-EX4ME
KOSHA (Ex certification Korea, EPL Gb and Db)		110 V AC: 50/60 Hz, power 3.5 VA, 110 V DC: 3.5 W	8118315	VACC-S18-35-K4-2U-KS4ME
		230 V AC: 50/60 Hz, power 3.5 VA, 230 V DC: 3.5 W	8118314	VACC-S18-35-K4-3U-KS4ME
		24 V DC: 3.5 W, 24 V AC: 50/60 Hz, power 3.5 VA	8118316	VACC-S18-35-K4-1UF-KS4ME
			8118317	VACC-S18-35-K4-1U-KS4ME
CCC-Ex (Ex certification China, EPL Gb and Db)		110 V AC: 50/60 Hz, power 3.5 VA, 110 V DC: 3.5 W	8118255	VACC-S18-35-K4-2U-NE4ME
		230 V AC: 50/60 Hz, power 3.5 VA, 230 V DC: 3.5 W	8118254	VACC-S18-35-K4-3U-NE4ME
		24 V DC: 3.5 W, 24 V AC: 50/60 Hz, power 3.5 VA	8118256	VACC-S18-35-K4-1UF-NE4ME
			8118257	VACC-S18-35-K4-1U-NE4ME
INMETRO (Ex certification Brazil, EPL Gb and Db)		110 V AC: 50/60 Hz, power 3.5 VA, 110 V DC: 3.5 W	8118174	VACC-S18-35-K4-2U-NM4ME
		230 V AC: 50/60 Hz, power 3.5 VA, 230 V DC: 3.5 W	8118180	VACC-S18-35-K4-3U-NM4ME
		24 V DC: 3.5 W, 24 V AC: 50/60 Hz, power 3.5 VA	8118182	VACC-S18-35-K4-1U-NM4ME
			8118179	VACC-S18-35-K4-1UF-NM4ME

Ordering data - Solenoid coils S for Armature tube 18 mm, power consumption 7 W

Certification	Electrical connection	Characteristic coil data	Part no.	Type
None	Terminal box, cable entry thread M20x1.5	120 V AC: 50/60 Hz, power 7.0 VA, 120 V DC: 7.0 W	3504609	VACC-S18-70-K4-16U-EX4D
		230 V AC: 50/60 Hz, power 7.0 VA, 230 V DC: 7.0 W	3504639	VACC-S18-70-K4-3U-EX4D
		24 V AC: 50/60 Hz, power 7.0 VA, 24 V DC: 7.0 W	3504563	VACC-S18-70-K4-1U-EX4D
		48 V AC: 50/60 Hz, power 7.0 VA, 48 V DC: 7.0 W	3504574	VACC-S18-70-K4-7U-EX4D
	Terminal box, cable entry thread NPT1/2	110 V AC: 50/60 Hz, power 7.0 VA, 110 V DC: 7.0 W	3546625	VACC-S18-70-K5-2U-EX4D
		230 V AC: 50/60 Hz, power 7.0 VA, 230 V DC: 7.0 W	3546662	VACC-S18-70-K5-3U-EX4D
	24 V AC: 50/60 Hz, power 7.0 VA, 24 V DC: 7.0 W	3546549	VACC-S18-70-K5-1U-EX4D	

Ordering data

Ordering data - Solenoid coils S for Armature tube 18 mm, power consumption 7 W				
Certification	Electrical connection	Characteristic coil data	Part no.	Type
None cULus, hazardous environment, USA and Canada (NEC 500, Class 1 Div 2)	Terminal box, cable entry thread NPT1/2	48 V AC: 50/60 Hz, power 7.0 VA, 48 V DC: 7.0 W	3546588	VACC-S18-70-K5-7U-EX4D
		125 V DC: 7.0 W	3546913	VACC-S18-70-K5-16-U2D
		220 V DC: 7.0 W	3546949	VACC-S18-70-K5-3-U2D
		24 V DC: 7.0 W	3546816	VACC-S18-70-K5-1-U2D
		48 V DC: 7.0 W	3546876	VACC-S18-70-K5-7-U2D

Ordering data - Solenoid coils S for Armature tube 18 mm, power consumption 12 W				
Certification	Electrical connection	Characteristic coil data	Part no.	Type
None	Type A, Plugs, To EN 175301-803	110 V AC: 50/60 Hz, power 12.0 VA	8040582	VACC-S18-120-A1-2A
		230 V AC: 50/60 Hz, power 12.0 VA	8040584	VACC-S18-120-A1-3A
		24 V AC: 50/60 Hz, power 12.0 VA	8040890	VACC-S18-120-A1-1A
		24 V DC: 12.0 W	8040580	VACC-S18-120-A1-1
	Terminal box, cable entry thread M20x1.5	110 V AC: 50/60 Hz, power 12.0 VA, 110 V DC: 12.0 W	8109392	VACC-S18-120-K4-2U-EX4ME
		230 V AC: 50/60 Hz, power 12.0 VA, 230 V DC: 12.0 W	8109391	VACC-S18-120-K4-3U-EX4ME
		24 V AC: 50/60 Hz, power 12.0 VA, 24 V DC: 12.0 W	8109395	VACC-S18-120-K4-1U-EX4ME
			8109394	VACC-S18-120-K4-1UF-EX4ME
		48 V DC: 12.0 W	8109390	VACC-S18-120-K4-7-EX4ME
		60 V DC: 12.0 W	8109393	VACC-S18-120-K4-27-EX4ME
KOSHA (Ex certification Korea, EPL Gb and Db)	110 V AC: 50/60 Hz, power 12.0 VA, 110 V DC: 12.0 W	8118320	VACC-S18-120-K4-2U-KS4ME	
	230 V AC: 50/60 Hz, power 12.0 VA, 230 V DC: 12.0 W	8118319	VACC-S18-120-K4-3U-KS4ME	
	24 V AC: 50/60 Hz, power 12.0 VA, 24 V DC: 12.0 W	8118323	VACC-S18-120-K4-1U-KS4ME	
		8118322	VACC-S18-120-K4-1UF-KS4ME	
	48 V DC: 12.0 W	8118318	VACC-S18-120-K4-7-KS4ME	
	60 V DC: 12.0 W	8118321	VACC-S18-120-K4-27-KS4ME	
CCC-Ex (Ex certification China, EPL Gb and Db)	110 V AC: 50/60 Hz, power 12.0 VA, 110 V DC: 12.0 W	8118260	VACC-S18-120-K4-2U-NE4ME	
	230 V AC: 50/60 Hz, power 12.0 VA, 230 V DC: 12.0 W	8118259	VACC-S18-120-K4-3U-NE4ME	
	24 V AC: 50/60 Hz, power 12.0 VA, 24 V DC: 12.0 W	8118262	VACC-S18-120-K4-1UF-NE4ME	
		8118263	VACC-S18-120-K4-1U-NE4ME	
	48 V DC: 12.0 W	8118258	VACC-S18-120-K4-7-NE4ME	
	60 V DC: 12.0 W	8118261	VACC-S18-120-K4-27-NE4ME	
INMETRO (Ex certification Brazil, EPL Gb and Db)	110 V AC: 50/60 Hz, power 12.0 VA, 110 V DC: 12.0 W	8118178	VACC-S18-120-K4-2U-NM4ME	
	230 V AC: 50/60 Hz, power 12.0 VA, 230 V DC: 12.0 W	8118173	VACC-S18-120-K4-3U-NM4ME	
	24 V AC: 50/60 Hz, power 12.0 VA, 24 V DC: 12.0 W	8118181	VACC-S18-120-K4-1U-NM4ME	
		8118177	VACC-S18-120-K4-1UF-NM4ME	
	48 V DC: 12.0 W	8118175	VACC-S18-120-K4-7-NM4ME	
	60 V DC: 12.0 W	8118176	VACC-S18-120-K4-27-NM4ME	