

Push-in fitting push-in cartridge, grey polymer QSPKG

FESTO



Characteristics

At a glance

Plug-in cartridges, polymer, grey

- Compact installation space
- Threadless mounting

Type code

001	Series
QSPKG10	Cartridge
QSPKG14	Cartridge
QSPKG18	Cartridge
QSPKG20	Cartridge
QSPLKG10	Cartridge
QSPLKG14	Cartridge
QSPLKG18	Cartridge
QSPLKG20	Cartridge
QSPLLKG10	Cartridge
QSPLLKG14	Cartridge
QSPLLKG18	Cartridge
QSPLLKG20	Cartridge

002	Pneumatic connection 1
10	Cartridge 10 mm
14	Cartridge 14 mm
18	Cartridge 18 mm
20	Cartridge 20 mm

003	Pneumatic connection 2
3	For tubing O.D. 3 mm
4	For tubing O.D. 4 mm
6	For tubing O.D. 6 mm
8	For tubing O.D. 8 mm
10	For tubing O.D. 10 mm
12	For tubing O.D. 12 mm

Datasheet

General technical data – Metric and G male thread

Pneumatic connection, port 1	Cartridge 10 mm Cartridge 14 mm Cartridge 18 mm Cartridge 20 mm
Size	Mini Standard
Design	Push-pull principle
Mounting position	optional
Type of seal on screwed plug	O-ring
Size of pack	10
Colour of release ring	Blue

Operating and environmental conditions

Operating pressure complete temperature range ¹⁾	-0.95 ... 10 bar
Operating medium	Compressed air to ISO 8573-1:2010 [7:-:]
Note on operating and pilot medium	Lubricated operation possible
Ambient temperature ²⁾	-5 ... 60°C
Corrosion resistance class CRC ³⁾	1 - Low corrosion stress
Maritime classification ⁴⁾	–

1) More information www.festo.com/x/topic/crc

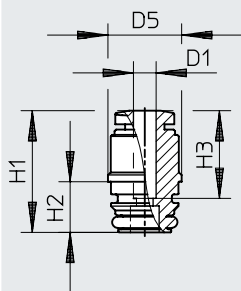
2) More information www.festo.com/catalogue/osp → Support/Downloads

Materials

Material housing	PA-reinforced
Material release ring	POM
Colour of release ring	Blue
Material tubing seal	NBR
Material tubing clamp component	High-alloy stainless steel
Note on materials	RoHS-compliant
LABS (PWIS) conformity	VDMA24364-B1/B2-L

Dimensions

Dimensions – Cartridge QSPKG10

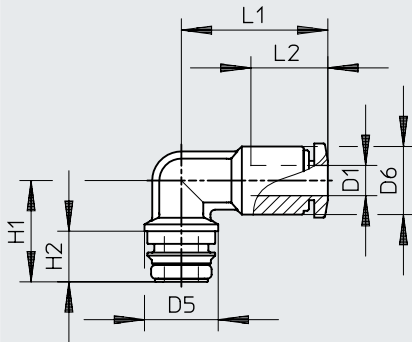
Download CAD data www.festo.com

	D1	D5 ∅	H1	H2	H3
QSPKG10-3	3	9,75	16,1	6,7	11,6
QSPKG10-4	4	9,75	16,1	6,7	11,6
QSPKG10-6	6	10,55	18,1	6,7	11,9

Dimensions

Dimensions – Cartridge QSPLKG10

Download CAD data www.festo.com

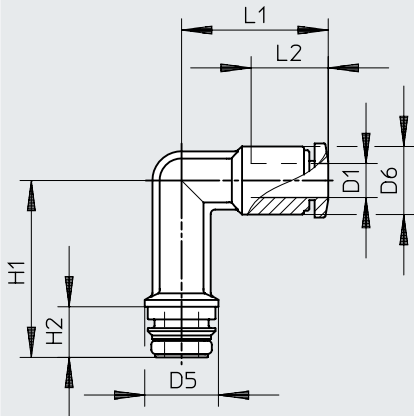


	D1	D5 ø	D6 ø	H1	H2	L1	L2
QSPLKG10-3	3	9,75	9,4	13,4	6,7	18,2	11,6
QSPLKG10-4	4	9,75	9,4	13,4	6,7	18,2	11,6
QSPLKG10-6	6	9,75	10,55	14,4	6,7	19,8	11,9

Dimensions

Dimensions – Cartridge QSPLLKG10

Download CAD data www.festo.com

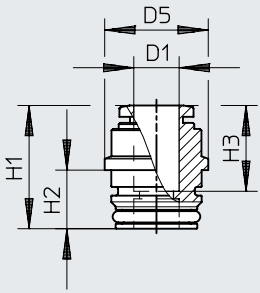


	D1	D5 ∅	D6 ∅	H1	H2	L1	L2
QSPLLKG10-3	3	9,75	9,4	23,4	6,7	18,2	11,6
QSPLLKG10-4	4	9,75	9,4	23,4	6,7	18,2	11,6
QSPLLKG10-6	6	9,75	10,55	26,4	6,7	19,8	11,9

Dimensions

Dimensions – Cartridge QSPKG14

Download CAD data www.festo.com

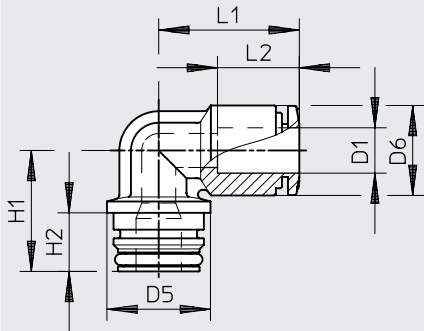


	D1	D5 ∅	H1	H2	H3
QSPKG14-6	6	13,7	16,5	7,75	11,9
QSPKG14-8	8	14,6	25,2	7,75	18,1

Dimensions

Dimensions – Cartridge QSPLKG14

Download CAD data www.festo.com

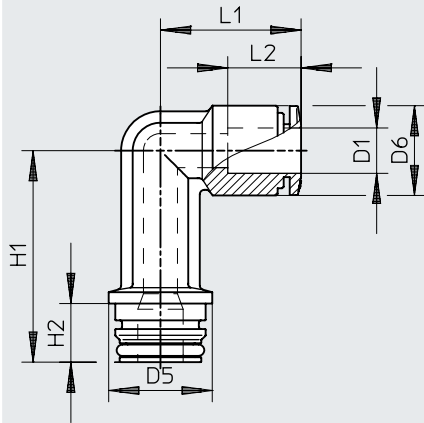


	D1	D5 ∅	D6 ∅	H1	H2	L1	L2
QSPLKG14-6	6	13,7	11,9	16	7,75	18,8	11,9
QSPLKG14-8	8	13,7	14,6	17,8	7,75	28,2	18,1

Dimensions

Dimensions – Cartridge QSPLLKG14

Download CAD data www.festo.com

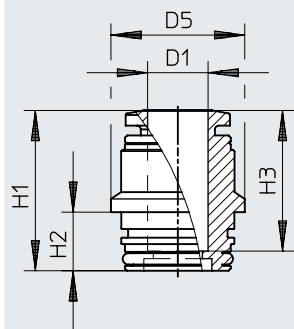


	D1	D5 ∅	D6 ∅	H1	H2	L1	L2
QSPLLKG14-6	6	13,7	11,9	28,0	7,75	18,8	11,9
QSPLLKG14-8	8	13,7	14,6	33,3	7,75	28,2	18,1

Dimensions

Dimensions – Cartridge QSPKG18

Download CAD data www.festo.com

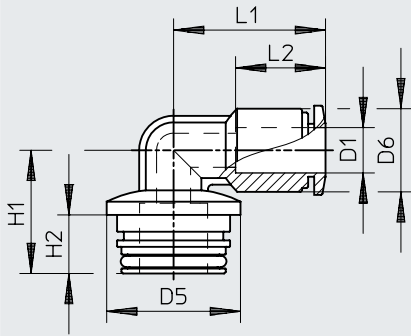


	D1	D5 ø	H1	H2	H3
QSPKG18-8	8	17,7	20,7	7,75	18,2
QSPKG18-10	10	17,7	24,5	7,75	20,2

Dimensions

Dimensions – Cartridge QSPLKG18

Download CAD data www.festo.com

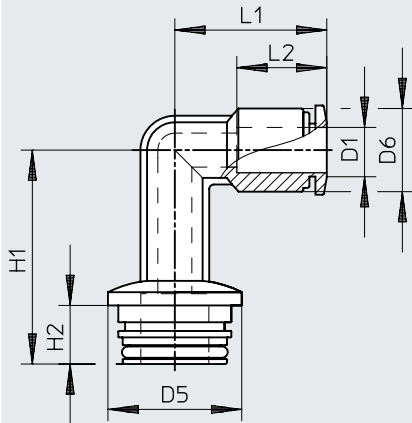


	D1	D5 ∅	D6 ∅	H1	H2	L1	L2
QSPLKG18-8	8	17,7	15	18,3	7,75	27,2	18,2
QSPLKG18-10	10	17,7	17,7	19,6	7,75	29,5	20,2

Dimensions

Dimensions – Cartridge QSPLLKG18

Download CAD data www.festo.com

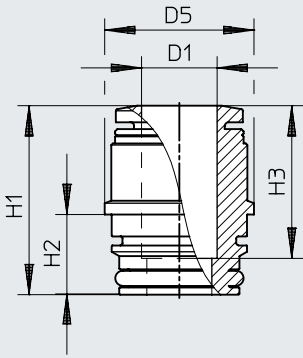


	D1	D5 ∅	D6 ∅	H1	H2	L1	L2
QSPLLKG18-8	8	17,7	15	18,3	7,75	27,2	18,2
QSPLLKG18-10	10	17,7	17,7	19,6	7,75	29,5	20,2

Dimensions

Dimensions – Cartridge QSPKG20

Download CAD data www.festo.com

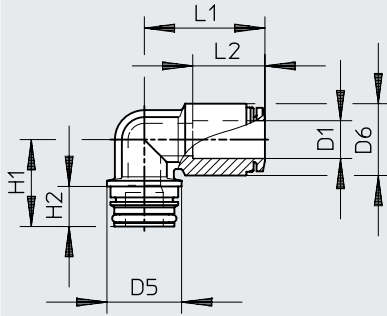


	D1	D5 ∅	H1	H2	H3
QSPKG20-8	8	19,75	19,1	10,6	18,1
QSPKG20-10	10	19,75	25	10,6	20,2
QSPKG20-12	12	21,1	32,7	10,6	23,4

Dimensions

Dimensions – Cartridge QSPLKG20

Download CAD data www.festo.com

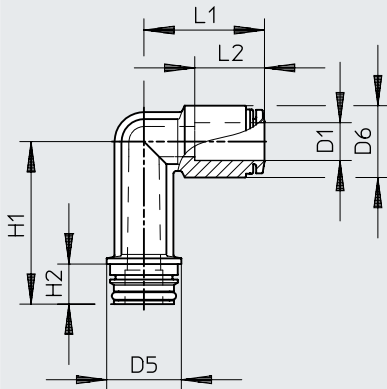


	D1	D5 ø	D6 ø	H1	H2	L1	L2
QSPLKG20-8	8	19,75	16,0	21,5	10,6	29,7	18,1
QSPLKG20-10	10	19,75	19,0	23,0	10,6	32,0	20,2
QSPLKG20-12	12	19,75	21,1	24,0	10,6	36,2	23,4

Dimensions


Dimensions – Cartridge QSPLLKG20


Download CAD data www.festo.com




	D1	D5 ø	D6 ø	H1	H2	L1	L2
QSPLLKG20-8	8	19,75	16,0	38,5	10,6	29,7	18,1
QSPLLKG20-10	10	19,75	19,0	43,0	10,6	32,0	20,2
QSPLLKG20-12	12	19,75	21,1	45,9	10,6	36,2	23,4


Ordering data

Ordering data – Straight form						
	Size	Pneumatic connection, port 2	Nominal size	Product weight	Part no.	Type
	Mini	For tubing outer diameter of 3 mm	1.6 mm	1.5 g	132621	QSPKG10-3
		For tubing outside diameter of 4 mm	2.3 mm	1.4 g	132622	QSPKG10-4
		For tubing outside diameter of 6 mm	3.5 mm	2.4 g	132930	QSPKG14-6
	3.7 mm		1.8 g	132623	QSPKG10-6	
	Standard	For tubing outside diameter of 8 mm	5.2 mm	5.3 g	132931	QSPKG14-8
			5.4 mm	6 g	132633	QSPKG20-8
			5.5 mm	5.4 g	132649	QSPKG18-8
		For tubing outside diameter of 10 mm	6.4 mm	9 g	132634	QSPKG20-10
			6.7 mm	8.1 g	132650	QSPKG18-10
	For tubing outer diameter of 12 mm	8.3 mm	13 g	132635	QSPKG20-12	

Ordering data – L-shape						
	Size	Pneumatic connection, port 2	Nominal size	Product weight	Part no.	Type
	Mini	For tubing outer diameter of 3 mm	1.8 mm	2.1 g	132853	QSPLKG10-3
		For tubing outside diameter of 4 mm	2.3 mm	2 g	132920	QSPLKG10-4
		For tubing outside diameter of 6 mm	3.3 mm	2.7 g	132921	QSPLKG10-6
	3.5 mm		3.5 g	132938	QSPLKG14-6	
	Standard	For tubing outside diameter of 8 mm	4.8 mm	7.1 g	132939	QSPLKG14-8
			10 g	132855	QSPLKG20-8	
			5.2 mm	7.5 g	132946	QSPLKG18-8
		For tubing outside diameter of 10 mm	6.1 mm	14 g	132856	QSPLKG20-10
			6.7 mm	10.8 g	132947	QSPLKG18-10
	For tubing outer diameter of 12 mm	7.7 mm	17 g	132857	QSPLKG20-12	

Ordering data – L-shape, long						
	Size	Pneumatic connection, port 2	Nominal size	Product weight	Part no.	Type
	Mini	For tubing outer diameter of 3 mm	1.8 mm	2.5 g	132861	QSPLLKG10-3
		For tubing outside diameter of 4 mm	2.3 mm	2.4 g	132925	QSPLLKG10-4
		For tubing outside diameter of 6 mm	3.3 mm	3.2 g	132926	QSPLLKG10-6
	3.4 mm		4 g	132942	QSPLLKG14-6	
	Standard	For tubing outside diameter of 8 mm	4.7 mm	8.1 g	132943	QSPLLKG14-8

Ordering data

Ordering data – L-shape, long						
	Size	Pneumatic connection, port 2	Nominal size	Product weight	Part no.	Type
	Standard	For tubing outside diameter of 8 mm	4.8 mm	11 g	132863	QSPLLKG20-8
			5.2 mm	8.1 g	132950	QSPLLKG18-8
		For tubing outside diameter of 10 mm	6 mm	15 g	132864	QSPLLKG20-10
			6.4 mm	12 g	132951	QSPLLKG18-10
		For tubing outer diameter of 12 mm	7.3 mm	20 g	132865	QSPLLKG20-12