

Plastic tubing PAN

FESTO



Characteristics

At a glance

Meets all requirements even for standard applications in extended pressure and temperature ranges.

- Polyamide
- High thermal and mechanical load capacities
- Highly resistant to microbes
- Operating medium: compressed air, vacuum

Additional documents

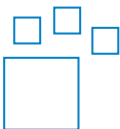
[Link](#) [pan](#)



The additional document OD-TUBING-ADD contains further information on tubing/fitting combinations, assembly instructions and measuring procedures.

Ordering data - modular system

[Link](#) [pan](#)



Configurable product

This product and all its product options can be ordered online via the configurator.

Engineering tools

[Link](#) [engineering tools](#)



Save time with engineering tools: Smart engineering for the optimal solution. Our goal is to increase your productivity. Our engineering tools play an integral part in achieving this goal. They help you size your system correctly, tap into unimagined productivity reserves and generate additional productivity along the entire value chain. In every phase of your project, from the initial contact to the modernisation of your machine, you will come across a number of different tools that will be of use to you.

- Flow rate calculation: Determine the nominal flow rate by entering parameters such as input pressure, output pressure, tube length and inside diameter.
- Media resistance: Evaluate the resistance of different material types and tubing from Festo to different chemicals and media.

Diagrams

[Link](#) [pan](#)



The diagrams shown in this document are also available online. These can be used to display precise values.

Pipe/tubing O.D. x wall thickness

For standard O.D. tubing, the outside diameter of the tube and the wall thickness are given as the tube size.

Packaging unit [m]

- Standard: 50 m
- In some cases, available in longer lengths on a reel.

Type code

001	Series
PAN	Standard O.D. tubing

002	Pipe/tubing O.D. x wall thickness
4x0,75	4x0.75 mm
6x1	6x1 mm
8x1,25	8x1.25 mm
10x1,5	10x1.5 mm
12x1,75	12x1.75 mm
14x2	14x2 mm
16x2	16x2 mm

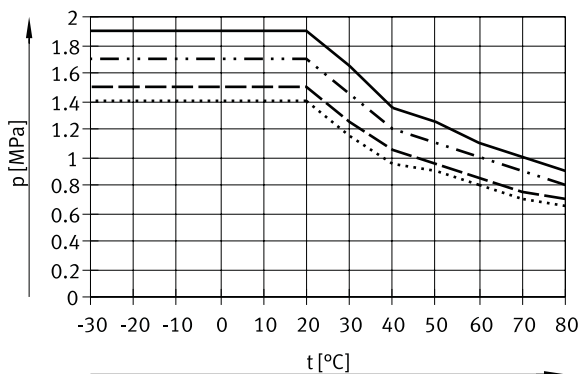
003	Colour
BL	Blue
GE	Yellow
GN	Green
NT	Natural
RT	Red
SI	Silver
SW	Black

004	Packaging unit [m]
	Standard
100	100 m
200	200 m
300	300 m
400	400 m
500	500 m

Datasheet

Operating and environmental conditions							
Outside diameter	4 mm	6 mm	8 mm	10 mm	12 mm	14 mm	16 mm
Inside diameter	2.9 mm	4 mm	5.9 mm	7 mm	8.4 mm	10 mm	12 mm
Pneumatic connection	For push-in connector O.D. 4 mm, For barbed fitting I.D. 3 mm with union nut, For barbed fitting I.D. 3 mm	For push-in connector O.D. 6 mm, For barbed fitting I.D. 4 mm with union nut, For barbed fitting I.D. 4 mm	For push-in connector O.D. 8 mm, For barbed fitting inside diameter of 6 mm with union nut, For barbed fitting inside diameter of 6 mm	For push-in connector O.D. 10 mm	For push-in connector outside diameter of 12 mm	For push-in connector outer diameter of 14 mm	For push-in connector O.D. 16 mm
Flow-relevant bending radius	18 mm	32 mm	43 mm	58 mm	64 mm	80 mm	94 mm
Min. bending radius	12 mm	14 mm	22 mm	27 mm	29 mm	50 mm	67 mm
Temperature-dependent operating pressure	-0.095 ... 1.5 MPa	-0.095 ... 1.9 MPa	-0.095 ... 1.5 MPa	-0.095 ... 1.7 MPa			-0.095 ... 1.4 MPa
Temperature-dependent operating pressure	-0.95 ... 15 bar	-0.95 ... 19 bar	-0.95 ... 15 bar	-0.95 ... 17 bar			-0.95 ... 14 bar
Temperature-dependent operating pressure	-13.775 ... 217.5 psi	-13.775 ... 275.5 psi	-13.775 ... 217.5 psi	-13.775 ... 246.5 psi			-13.775 ... 203 psi
Operating medium	Compressed air to ISO 8573-1:2010 [7:-:]						
Ambient temperature	-30 ... 80°C						
Approval	German Technical Control Board (TÜV)						
Certificate issuing authority	B 013277 0527 00						
Maritime classification	See certificate						
Tubing characteristics	Suitable for energy chains						

Operating pressure p as a function of temperature t



- PAN-6
- - - PAN-4/8
- PAN-10/12/14
- PAN-16

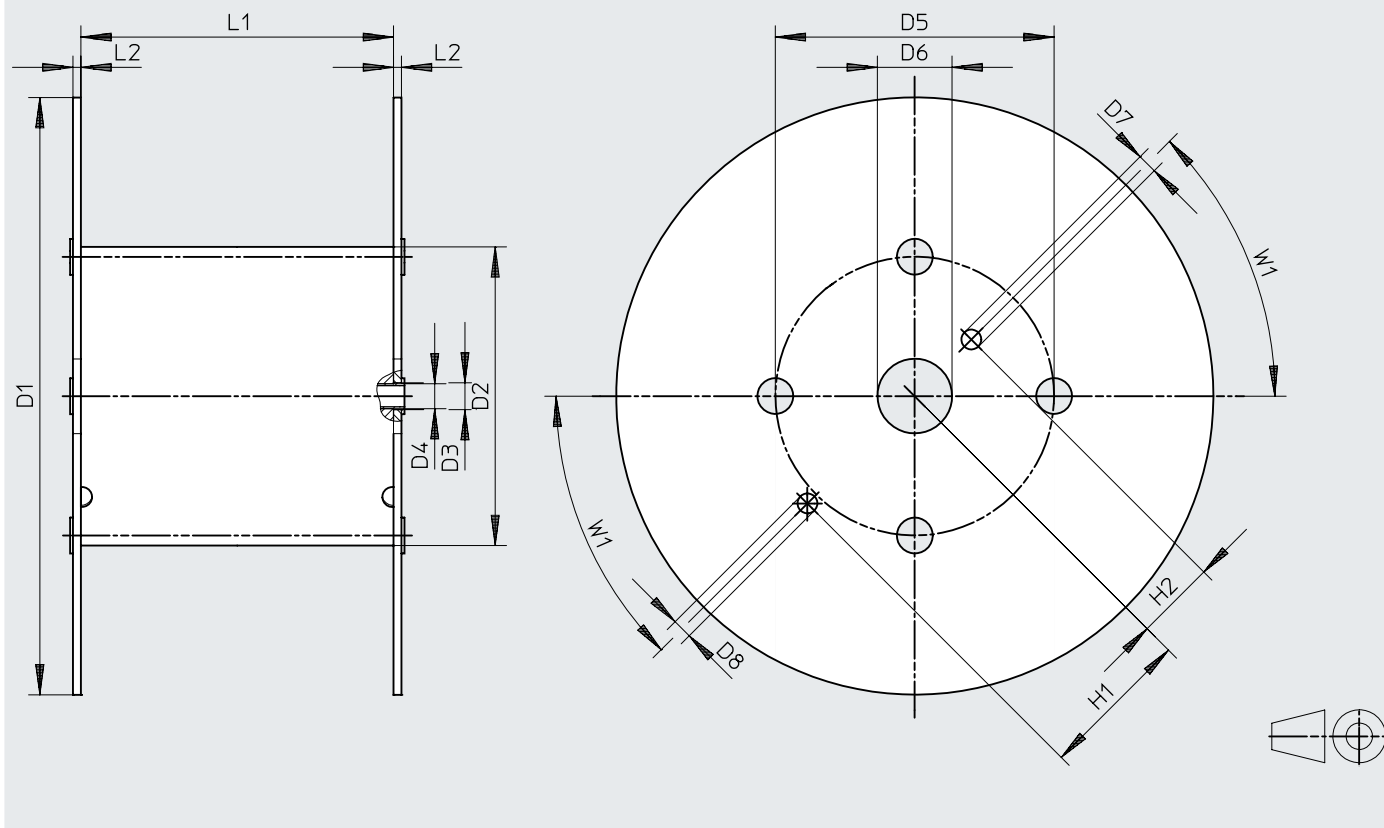
Materials

Shore hardness	D 55 +/-3
Material tubing	TPE-A
Note on materials	RoHS-compliant
LABS (PWIS) conformity	VDMA24364-B2-L

Dimensions


Dimensions – Reel

Download CAD data www.festo.com




	D1 ∅	D2 ∅	D3 ∅	D4 ∅	D5 ∅	D6 ∅	D7 ∅	D8 ∅	H1	H2	L1	L2	W1
PAN-4x0,75-...-500	545	246	21	20	216	75	20	20	152,5	80,5	128	8	45°
PAN-6x1-...-500	545	246	21	20	216	75	20	20	152,5	80,5	128	8	45°
PAN-8x1,25-...-400	545	310	21	20	280	75	20	20	152,5	80,5	254	8	45°
PAN-10x1,5-...-300	600	310	21	20	280	75	20	20	152,5	80,5	254	8	45°
PAN-12x1,75-...-200	600	310	21	20	280	75	20	20	152,5	80,5	254	8	45°
PAN-16x2-...-100	545	310	21	20	280	75	20	20	152,5	80,5	254	8	45°

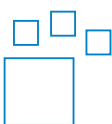
Ordering data

Ordering data						
	Outside diameter	Packaging unit [m] ¹⁾	Product weight according to length	Colour	Part no.	Type
	4 mm	Standard	0.006 kg/m	Blue	553906	PAN-4X0,75-BL
				Yellow	553930	PAN-4X0,75-GE
				Green	553918	PAN-4X0,75-GN
				Natural	546284	PAN-4X0,75-NT
				Red	553924	PAN-4X0,75-RT
				Black	553912	PAN-4X0,75-SW
				Silver	152697	PAN-4X0,75-SI
				Blue	553894	PAN-4X0,75-BL-500
				Black	553900	PAN-4X0,75-SW-500
				Silver	553888	PAN-4X0,75-SI-500
	6 mm	Standard	0.016 kg/m	Blue	553907	PAN-6X1-BL
				Yellow	553931	PAN-6X1-GE
				Green	553919	PAN-6X1-GN
				Natural	546285	PAN-6X1-NT
				Red	553925	PAN-6X1-RT
				Black	553913	PAN-6X1-SW
				Silver	152699	PAN-6X1-SI
				Blue	553895	PAN-6X1-BL-500
				Black	553901	PAN-6X1-SW-500
				Silver	553889	PAN-6X1-SI-500
	8 mm	Standard	0.024 kg/m	Blue	553908	PAN-8X1,25-BL
				Yellow	553932	PAN-8X1,25-GE
				Green	553920	PAN-8X1,25-GN
				Natural	546286	PAN-8X1,25-NT
				Red	553926	PAN-8X1,25-RT
				Black	553914	PAN-8X1,25-SW
				Silver	152700	PAN-8X1,25-SI
				Blue	553896	PAN-8X1,25-BL-400
				Black	553902	PAN-8X1,25-SW-400
				Silver	553890	PAN-8X1,25-SI-400
	10 mm	Standard	0.042 kg/m	Blue	553909	PAN-10X1,5-BL
				Yellow	553933	PAN-10X1,5-GE
				Green	553921	PAN-10X1,5-GN
				Natural	546287	PAN-10X1,5-NT
				Red	553927	PAN-10X1,5-RT
				Black	553915	PAN-10X1,5-SW
Silver				152701	PAN-10X1,5-SI	
Blue				553897	PAN-10X1,5-BL-300	
Black				553903	PAN-10X1,5-SW-300	
Silver				553891	PAN-10X1,5-SI-300	
12 mm	Standard	0.06 kg/m	Blue	553910	PAN-12X1,75-BL	
			Yellow	553934	PAN-12X1,75-GE	
			Green	553922	PAN-12X1,75-GN	
			Natural	546288	PAN-12X1,75-NT	
			Red	553928	PAN-12X1,75-RT	
			Black	553916	PAN-12X1,75-SW	
			Silver	152702	PAN-12X1,75-SI	
			Blue	553898	PAN-12X1,75-BL-200	
			Black	553904	PAN-12X1,75-SW-200	
			Silver	553892	PAN-12X1,75-SI-200	
14 mm	Standard	0.077 kg/m	Blue	570392	PAN-14X2-SI	
16 mm		0.092 kg/m	Blue	553911	PAN-16X2-BL	

Ordering data

Ordering data						
	Outside diameter	Packaging unit [m] ¹⁾	Product weight according to length	Colour	Part no.	Type
	16 mm	Standard	0.092 kg/m	Yellow	553935	PAN-16X2-GE
				Green	553923	PAN-16X2-GN
				Natural	546289	PAN-16X2-NT
				Red	553929	PAN-16X2-RT
				Black	553917	PAN-16X2-SW
				Silver	152703	PAN-16X2-SI
				Blue	553899	PAN-16X2-BL-100
		Black		553905	PAN-16X2-SW-100	
		Silver		553893	PAN-16X2-SI-100	
					100 m	

1) Standard: 50 m

Ordering information – Modular product system			
	Short type code	Part no.	Type
	PAN PAN-MF PAN-R	553610	PAN