

Type codes

001	Series
NEBV	Connecting cable for valves

002	Product version
	Standard
C	Easy-to-clean design

003	Connection technology left, field device side
A1	Socket type A, EN 175301-803
B2	Socket type B, industry standard, 11 mm
C1S	Socket type C, narrow design
H1	Socket connection pattern H
M8	Socket M8x1 A-coded, EN 61076-2-104
M12	Socket M12x1 A-coded, EN 61076-2-101
Z3	Socket connection pattern ZC, self-tapping screw
Z4	Socket connection pattern ZC, metric screw
S1	Sub-D socket
S7	Sub-D HD socket
Q7	Port pattern Q7 socket
HS	Socket connection pattern S
HP	Socket connection pattern HP

004	Cable outlet left
	None
G	Straight
W	Angled
WA	Angled 45°

005	Number of pins/wires on the left
2	2
3	3
4	4
8	8
9	9
15	15
25	25
37	37
44	44

006	Display
	None
F	LED signal status, AC
L	LED signal status, DC
N	LED switching state, NPN
P	LED switching state, PNP
U	LED, UC

007	Additional socket functions
	None
HL	Hood for MPA-L
HM	Hood for MPA-S
HS	With seal

008	Circuitry
	None
P	Protective circuit
R	Holding current reduction with integrated protective circuit

009	Cable characteristic
P	Basic
K	Standard
E	Suitable for energy chains
F	Food-safe to standard

010	Cable design
	Standard
D	Double cable
M	Alternative material
N	Leads

011	Cable length [m]
0.1	0.1
0.2	0.2
0.3	0.3
0.5	0.5
0.6	0.6
1	1
2	2
2.5	2.5
3	3
5	5
10	10

012	Cable identification
	With label holder
N	Without label holder

013	Connection technology right, controller side
LE	Open end
M8	Plug M8x1 A-coded, EN 61076-2-104
M12	Plug M12x1 A-coded, EN 61076-2-101
Z1	Port pattern ZB plug, self-tapping screw

014	Plug
	None
G	Straight
W	Angled

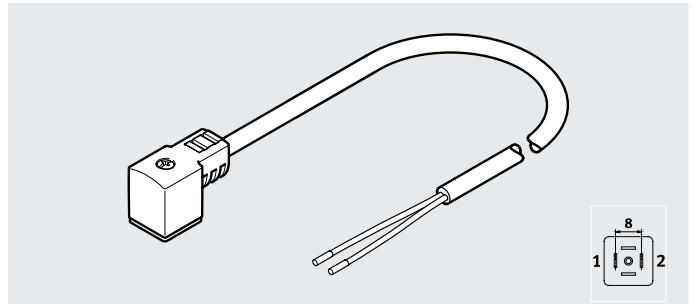
015	Number of pins/wires on the right
2	2
3	3
4	4
5	5
10	10
15	15
25	25
26	26
27	27
36	36
37	37
39	39
44	44

016	Degree of protection, electrical system
	Standard
S6	IP40
S1	IP65
S9	IP65/IP67
S10	IP65/IP67/IP69K

Datasheet

Connecting cable NEBV-C1SW2

- Connecting cable
- Pre-assembled at one end
- For connecting valves
- Cable lengths 0.5 ... 30 m



General technical data

Cable designation	Without inscription label holder
-------------------	----------------------------------

Technical data – Electrical connection 1

Function	Field device side
Connection type	Socket, narrow
Cable outlet	Angled
Note on cable outlet	Can be rotated 180°
Design	Rectangular
Connection technology	Plug pattern type C to EN 175301 803
Number of pins/cores	4
Assigned pins/cores	2
Type of mounting	On solenoid valve with M2.5 central screw
Signal status indication	Yellow LED
Additional functions	Protective circuit

Technical data – Electrical connection 2

Function	Control side
Connection type	Cable
Connection technology	Open end
Number of pins/cores	2
Assigned pins/cores	2

Technical data – Electrics

Nominal operating voltage	[V DC]	24
Operating voltage range	[V DC]	20.4 ... 26.4
Surge resistance	[kV]	2.4
Current rating at 40 °C	[A]	6
Contamination level		3
Note on the pollution degree		In mounted state
Contact durability		50
Reverse polarity protection		Bipolar
Protective earth connection		Not provided

Datasheet

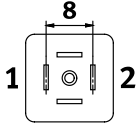
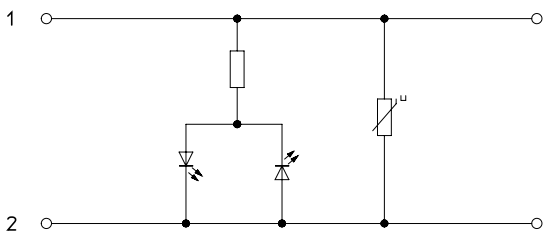
Technical data – Cable		
Cable diameter	[mm]	5.2
Cable diameter tolerance	[mm]	±0.1
Cable structure	[mm ²]	2x0.75
Nominal conductor cross-section	[mm ²]	0.75
Cable characteristic		Standard
Bending radius, flexible cable installation	[mm]	≥52
Test conditions, cable		Test conditions on request

Materials	
Housing	TPE-U(PU)
Housing colour	Black
Screws	Stainless steel
Seals	HNBR
Pin contacts	Tin-plated copper alloy
Cable sheath	PVC
Cable sheath colour	Grey
Insulating sheath	PVC
Note on materials	RoHS-compliant
LABS (PWIS) conformity	VDMA24364-B2-L

Operating and environmental conditions		
Ambient temperature	[°C]	-20 ... +70
Ambient temperature with flexible cable installation	[°C]	-5 ... +70
Degree of protection		IP65
		IP67
Note on degree of protection		In mounted state
Corrosion resistance class CRC ¹⁾		3
CE marking (see declaration of conformity) ²⁾		To EU RoHS Directive
UKCA marking (see declaration of conformity) ¹⁾		To UK RoHS regulations

1) More information www.festo.com/x/topic/crc2) More information www.festo.com/catalogue/... → Support/Downloads.

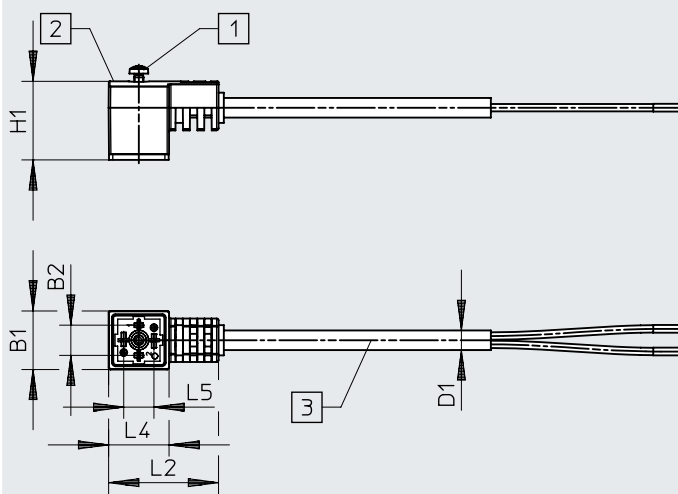
Datasheet

Wiring (socket/plug view)		Wiring	Wire colour ¹⁾	Electrical connection 2
Electrical connection 1	Pin			
	1		BK	Open end
	2		BK	Open end

1) According to IEC 757

Dimensions

Download CAD data → www.festo.com



[1] Retaining screw M3

[2] Signal status indication

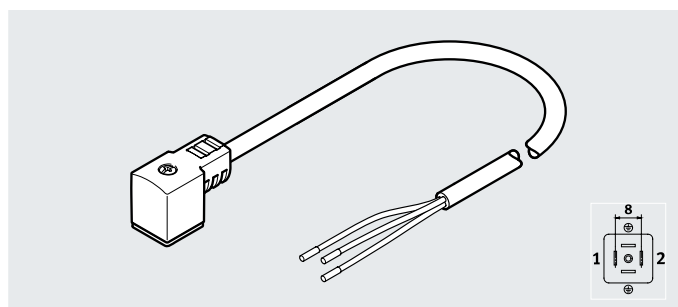
[3] Cable, length 0.5 ... 30 m depending on the order

Type	B1	B2	D1	H1	L2	L4	L5
NEBV-C1SW2L...S9	15.5	8	5.2	20.8	29	16	8

Datasheet

Connecting cable NEBV-C1SW3

- Connecting cable
- Pre-assembled at one end
- For connecting valves
- Cable lengths 0.5 ... 30 m



General technical data		
Cable designation	Without inscription label holder	
Technical data – Electrical connection 1		
Function	Field device side	
Connection type	Socket, narrow	
Cable outlet	Angled	
Note on cable outlet	Can be rotated 180°	
Design	Rectangular	
Connection technology	Plug pattern type C to EN 175301 803	
Number of pins/cores	4	
Assigned pins/cores	4	
Type of mounting	On solenoid valve with M2.5 central screw	
Technical data – Electrical connection 2		
Function	Control side	
Connection type	Cable	
Connection technology	Open end	
Number of pins/cores	3	
Assigned pins/cores	3	
Technical data – Electrics		
Operating voltage range	[V DC]	0 ... 230
	[V AC]	0 ... 230
Surge resistance	[kV]	4
Current rating at 40 °C	[A]	6
Contamination level		3
Note on the pollution degree		In mounted state
Contact durability		50
Reverse polarity protection		Bipolar
Protective earth connection		Available

Datasheet

Technical data – Cable		
Cable diameter	[mm]	5.2
Cable diameter tolerance	[mm]	±0.1
Cable structure	[mm ²]	3x0.5
Nominal conductor cross-section	[mm ²]	0.5
Cable characteristic		Standard
Bending radius, flexible cable installation	[mm]	≥52
Test conditions, cable		Test conditions on request

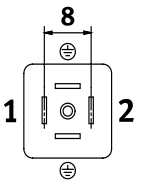
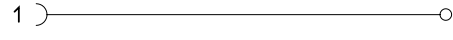

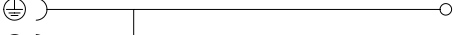
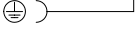
Materials	
Housing	TPE-U(PU)
Housing colour	Black
Screws	Stainless steel
Seals	HNBR
Pin contacts	Tin-plated copper alloy
Cable sheath	PVC
Cable sheath colour	Grey
Insulating sheath	PVC
Note on materials	RoHS-compliant
LABS (PWIS) conformity	VDMA24364-B2-L

Operating and environmental conditions		
Ambient temperature	[°C]	–20 ... +70
Ambient temperature with flexible cable installation	[°C]	–5 ... +70
Degree of protection		IP65
		IP67
Note on degree of protection		In mounted state
Corrosion resistance class CRC ¹⁾		3
CE marking (see declaration of conformity) ²⁾		To EU Low Voltage Directive
		To EU RoHS Directive
UKCA marking (see declaration of conformity) ¹⁾		To UK regulations for electrical equipment
		To UK RoHS regulations

1) More information www.festo.com/x/topic/crc

2) More information www.festo.com/catalogue/... → Support/Downloads.

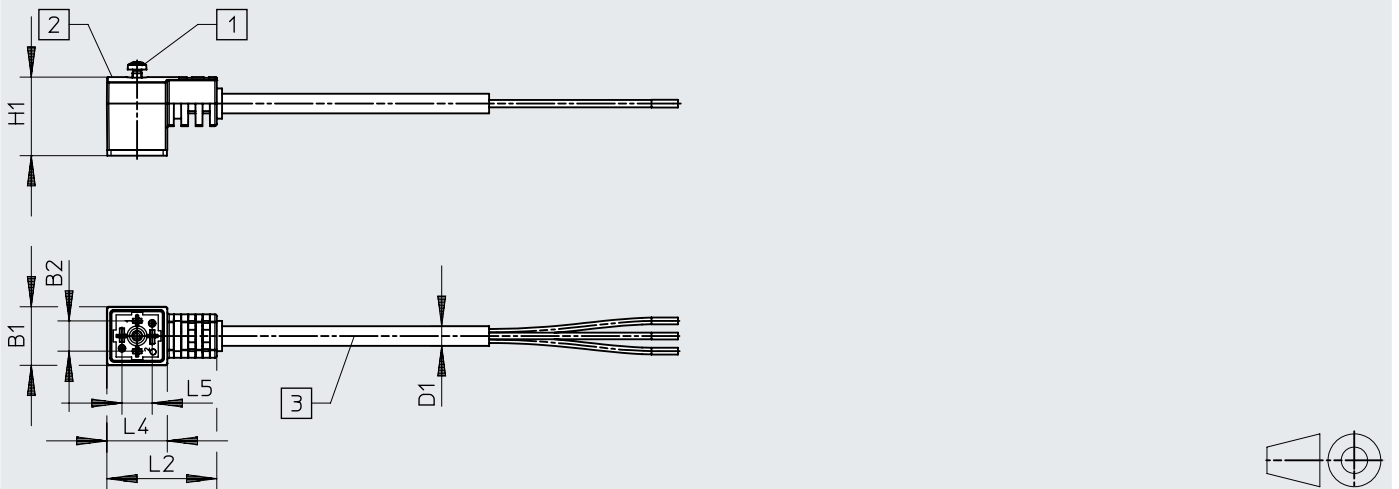
Datasheet

Wiring (socket/plug view)		Wiring	Wire colour ¹⁾	Electrical connection 2
Electrical connection 1	Pin			
	1		BK	Open end
	2		BK	Open end
	GND		PE	Open end
	GND			

1) According to IEC 757

Dimensions

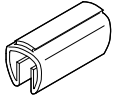
Download CAD data → www.festo.com



[1] Retaining screw M2.5 [2] LED display field depending on order [3] Cable, length 0.5 ... 30 m depending on the order

Type	B1	B2	D1	H1	L2	L4	L5
NEBV-C1SW3-...S9	15.5	8	5.2	20.8	29	16	8

Ordering data

Ordering data		Cable length	Weight	Part no.	Type
Operating voltage		[m]	[g]		
Socket type C, narrow, 2-pin – open cable end, 2-wire					
24 V DC	<ul style="list-style-type: none"> • Signal status indication • Protective circuit 	2.5	120	8032623	NEBV-C1SW2L-P-K-2.5-N-LE2-S9
		5	230	8032626	NEBV-C1SW2L-P-K-5-N-LE2-S9
		10	440	8032627	NEBV-C1SW2L-P-K-10-N-LE2-S9
Socket type C, narrow, 4-pin – open cable end, 3-wire					
0 ... 230 V AC/DC	–	2.5	125	8032628	NEBV-C1SW3-K-2.5-N-LE3-S9
		5	235	8032629	NEBV-C1SW3-K-5-N-LE3-S9
Ordering data – Accessories					
	Inscription labels for attaching to a cable with diameter 5 ... 8 mm	11x20 mm		33361	KM-BZ

Ordering data – Modular product system

Ordering table		Conditions	Code	Enter code
Module no.	8003577			
Connecting cable	Connecting cables for valves		NEBV	NEBV
Connection technology left, field device side	Socket type C, narrow design		-C1S	-C1S
Cable outlet left	Angled		W	W
Number of pins/cores on the left	2-pin		2	
	3-pin		3	
Display	None	[2]		
	Signal status LED	[1]	L	
Wiring	None	[2]		
	Integrated protective circuit	[1]	-P	
Cable characteristic	Standard		-K	-K
Cable length [m]	0.5 ... 30		-...	
Cable designation	Without inscription label holder		-N	-N
	Open end		-LE	-LE
Number of pins/cores on the right	2-pin	[1]	2	
	3-pin	[2]	3	
Degree of protection for electrics	IP65/IP67		-S9	-S9

[1] L, -P, 2 Only with number of pins/cores left 2-pin
 [2] 3 Only with number of pins/cores left 3-pin