

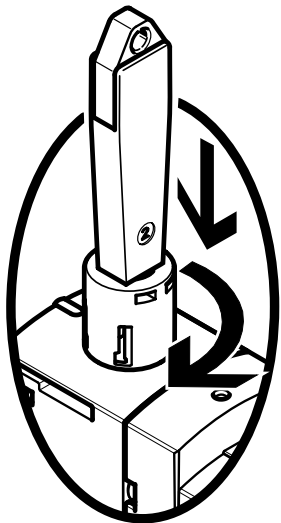
## Manual override AHB

**FESTO**



## Datasheet

## General technical data



Manual override attachments can be used to lock an existing, automatically resetting manual override in the actuated position.

Mounting position	optional
Type of mounting	Snapping in

## Materials

Size	Size 2	Size 3	Size 4	Size 5
Material housing	PA6 reinforced			
LABS (PWIS) conformity	VDMA24364-B2-L			

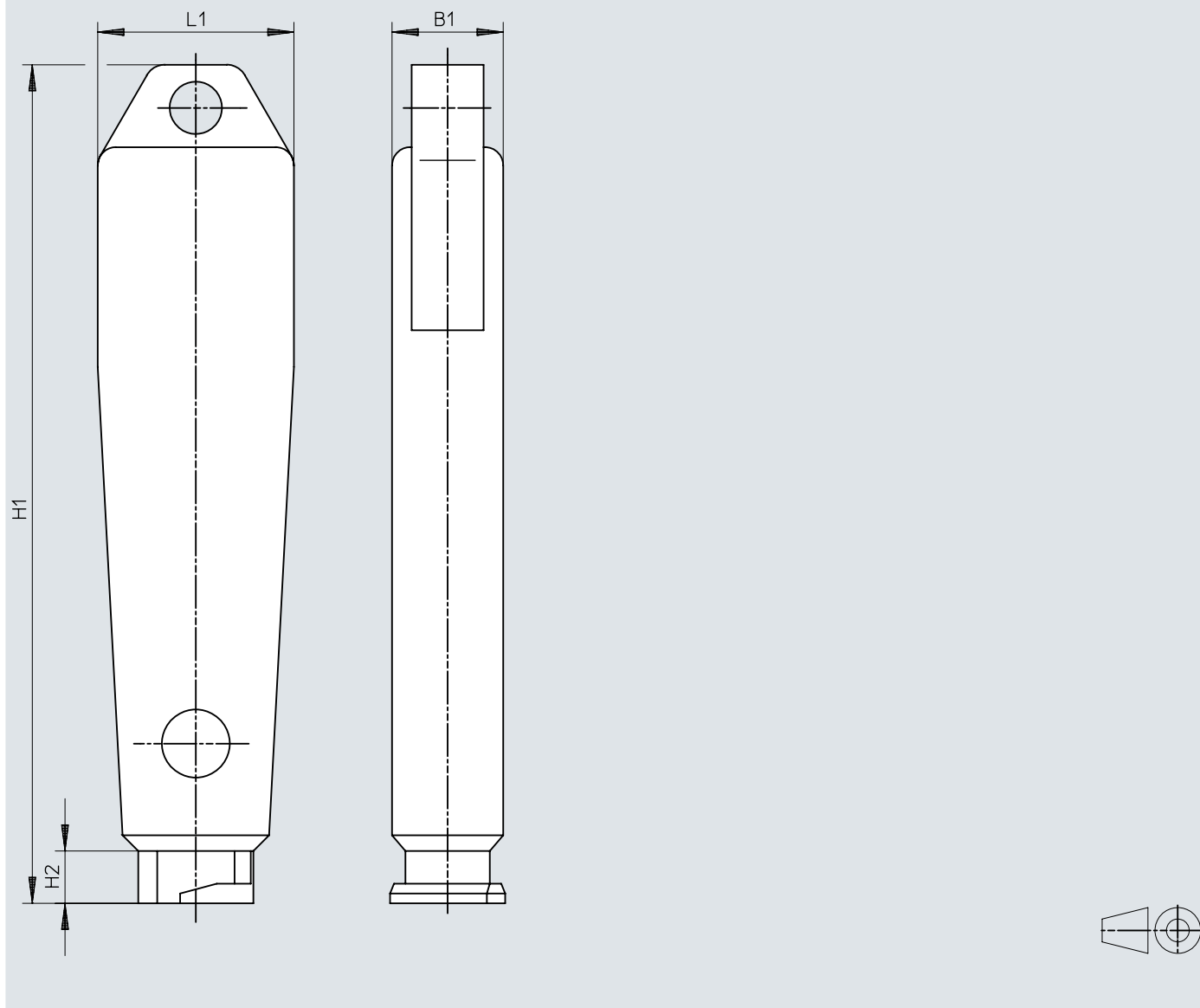
## Operating and environmental conditions

Ambient temperature	-5 ... 60°C
Corrosion resistance class CRC <sup>1)</sup>	2 - Moderate corrosion stress

1) More information [www.festo.com/x/topic/crc](http://www.festo.com/x/topic/crc)


## Dimensions

Dimensions – AHB-MZB, AHB-MEB, AHB-MD/MF/MV

Download CAD data [www.festo.com](http://www.festo.com)

	B1	H1	H2	L1
AHB-MZB	5,5	36,9	2,2	8,8
AHB-MEB	6,6	48,4	3,3	11
AHB-MD/MF/MV	8,5	64,1	4	14

## Ordering data

Ordering data – Actuator attachments			
	Size	Part no.	Type
	Size 2	157600	AHB-MZB
	Size 3	157601	AHB-MEB
	Size 4	157651	AHB-MD/MF/MV
	Size 5	1662543	AHB-MEB-B