

Angled plug socket PEV

FESTO



Characteristics

At a glance

Angled plug socket PEV-1/4-WD-LED-...

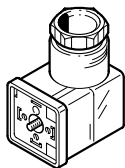
- For pressure switch PEV-1/4-B-(OD), PEV-1/4-SC-OD and PEV-1/4-A-SW27-B-OD
- With integrated LEDs for switching status indication

Angled plug socket PEV-1/4-A-WD

- For pressure switch PEV-1/4-A-SW27

Datasheet

General technical data PEV-1/4-WD-LED



Type of mounting	Screw-clamped
Cable outlet	Angled
Switching status indication	Yellow LED, Green LED

Electronics PEV-1/4-WD-LED-24

Operational voltage range DC	15 ... 30 V
------------------------------	-------------

Electronics PEV-1/4-WD-LED-230

Operational voltage range DC	140 ... 180 V
Operational voltage range AC	150 ... 230 V

Electromechanics PEV-1/4-WD-LED

Electrical connection	4-pin Angled socket
Electrical connection 1, design	Angular
Electrical connection 1, function	Field device side
Electrical connection 1, number of connections/cores	4
Electrical connection 1, used connections/cores	4
Electrical connection 1, tightening torque	0.5
Electrical connection 1, type of mounting	Central screw M3
Electrical connection 2, function	Controller side
Electrical connection 2, connector system	Screw terminal
Electrical connection 2, number of connections/cores	5
Electrical connection 2, used connections/cores	5
Cable fitting	Pg11
Current rating at 40° C ¹⁾	8 A
Permissible cable diameter	4.5 ... 11 mm
Connection cross section	0.25 ... 1.5 mm ²

1) Applies to PEV-1/4-WD-LED-24

Datasheet

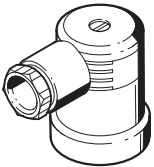
Operating and environmental conditions PEV-1/4-WD-LED

Ambient temperature	-40 ... 90°C
Note on ambient temperature	Note derating
CE mark (see declaration of conformity)	To EU Low Voltage Directive, In accordance with EU RoHS Directive
UKCA marking (see declaration of conformity)	To UK RoHS instructions, To UK regulations for electrical equipment
Based on standard	EN 175301-803
Degree of protection	IP65
Note on degree of protection	In assembled state

Materials PEV-1/4-WD-LED

Material housing	PA6 reinforced
Housing colour	Transparent
Material electrical contact	Brass, Nickel-plated, Tin-plated
Note on materials	RoHS-compliant
LABS (PWIS) conformity	VDMA24364-B2-L

General technical data PEV-1/4-A-WD



Type of mounting	With through-hole
------------------	-------------------

Operating and environmental conditions PEV-1/4-A-WD

Ambient temperature	–
CE mark (see declaration of conformity)	–
UKCA marking (see declaration of conformity)	–
Degree of protection	–

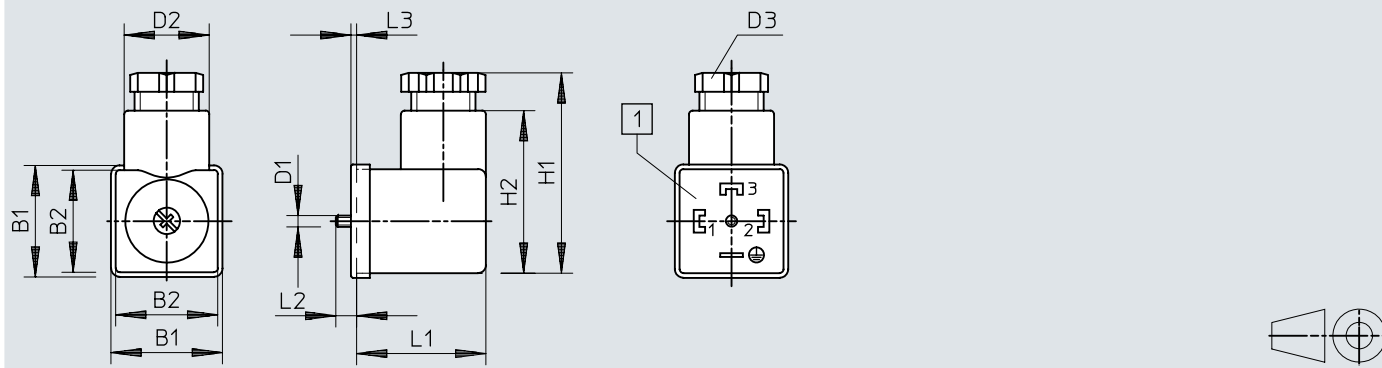
Materials PEV-1/4-A-WD

Note on materials	RoHS-compliant
LABS (PWIS) conformity	VDMA24364-B1/B2-L

Dimensions

Dimensions – Angled plug socket PEV-1/4-WD-LED

Download CAD data www.festo.com



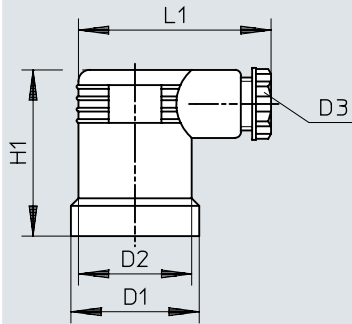
[1] Inserts can be rotated 90°

		B1	B2	D1	D2 ∅	D3	H1	H2	L1	L2	L3
PEV-1/4-WD-LED-24	PEV-...-24	30	27,5	M3	22,5	Pg11	53	43	34,2	5,5	1,5
PEV-1/4-WD-LED-230	PEV-...-230										

Dimensions


Dimensions – Angled plug socket PEV-1/4-A-WD

Download CAD data www.festo.com



	D1	D2	D3	H1	L1
	∅	∅			
PEV-1/4-A-WD	34	30	Pg9	44	51

Ordering data

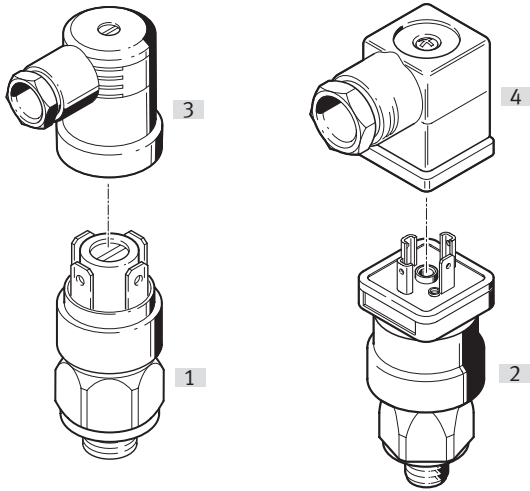
Angled plug socket PEV-1/4-WD-LED ¹⁾			
	Electrical connection 1, type of mounting	Part no.	Type
	Central screw M3	164275	PEV-1/4-WD-LED-230
		164274	PEV-1/4-WD-LED-24

1) Inserts can be rotated 90°

Angled plug socket PEV-1/4-A-WD			
	Electrical connection	Part no.	Type
	4-pin, Angled socket	161209	PEV-1/4-A-WD

Peripherals

Peripherals overview



Accessories		→ Link
Type/order code	Description	
[1] Pressure switch PEV-1/4-A-SW27		pev
[2] Pressure switch PEV-1/4-A-SW27-B-OD		pev
[3] Angled plug socket PEV-1/4-A-WD		pev_wd
[4] Angled plug socket PEV-1/4-WD-LED- ...		pev_wd