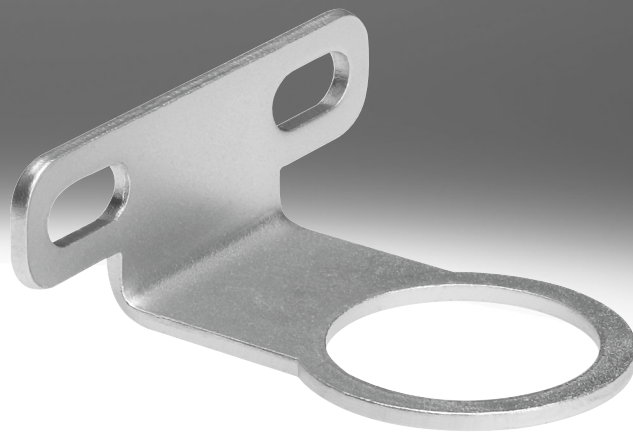

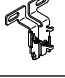




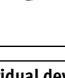
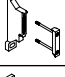

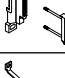

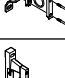



Accessories, MS series



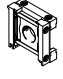


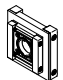

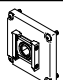




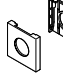
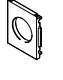
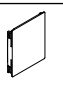
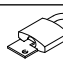
**FESTO**



Product range overview

Type	Accessories for size					
	MS2	MS4	MS6	MS9	MS12	
<b>Mounting components for individual devices</b>						
Mounting bracket MS-WB		-	■ → 6	■ → 6	-	-
Mounting bracket MS-WBM		-	■ → 7	-	-	-
Mounting bracket MS-WR		■ → 4	■ → 8	■ → 8	-	-
Mounting bracket Basic MS-WR-B		-	■ → 8	■ → 8	-	-
Nut MS-WRS		■ → 4	-	-	-	-
Plug screw MS-G18S		■ → 5	-	-	-	-
Hex nut MS-WRS		-	■ → 9	■ → 9	-	-
<b>Mounting components for individual devices/combinations</b>						
Mounting bracket MS-WP		-	■ → 11	■ → 11	■ → 20	■ → 24
Mounting bracket MS-WPB		-	■ → 12	■ → 12	■ → 21	-
Mounting bracket MS-WPM		-	■ → 13	■ → 14	■ → 22	-
Mounting bracket MS-WPE		-	■ → 15	■ → 15	-	-
Mounting bracket Basic MS-WPE-B		-	■ → 15	■ → 15	-	-
Wall mounting-SET MS-WPG		-	-	■ → 16	-	-

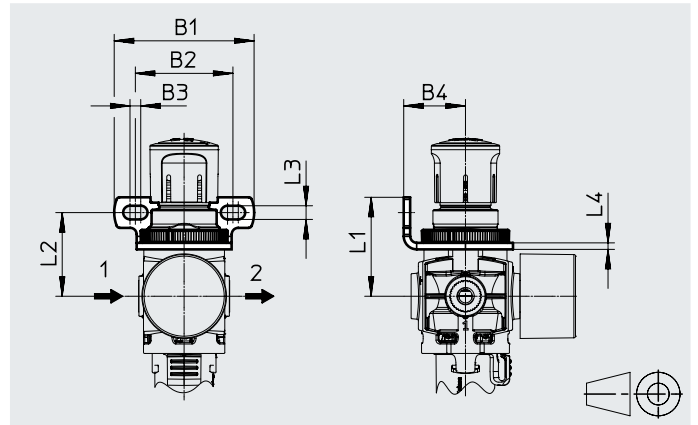
## Product range overview

Type		Accessories for size				
		MS2	MS4	MS6	MS9	MS12
<b>Connector</b>						
Module connector MS-MV		-	■ → 17	■ → 17	■ → 23	■ → 25
Module connector MS-MVM		-	■ → 18	■ → 18	-	-
Module connector MS-RMV		-	■ → 27	■ → 27	■ → 33	-
Module connector MS-AMV		-	■ → 28	■ → 28	-	-
		-	-	■ → 30	■ → 30	-
Module connector MS-ARMV		-	-	■ → 31	■ → 31, 34	■ → 34
<b>Adapter for mounting on profiles</b>						
Power supply modules MS-E-IPM-40-80		-	■ → 36	■ → 36	-	-
Power supply modules MS-E-IPM-80-80		-	■ → 37	■ → 37	-	-
Branching modules MS-A-IPM-80		-	■ → 38	■ → 38	-	-
Branching modules MS-A-RMV-IPM-80		-	■ → 39	■ → 39	-	-
Sealing rings MS-NNR		-	■ → 40	■ → 40	-	-
<b>Blanking plates</b>						
Connecting plate-SET MS-AG.../MS-AQ..		-	■ → 41	■ → 41	■ → 43	■ → 44
Cover cap MS-END		-	■ → 42	■ → 42	-	-
Mounting plate MS-AEND		-	■ → 42	■ → 42	-	-
<b>Covering kits</b>						
Covering kit MS...-RB-10		-	■ → 45	■ → 45	■ → 45	■ → 45
<b>Safety components</b>						
Padlock LRVS-D		-	■ → 46	■ → 46	■ → 46	■ → 46

## Mounting components MS2

### Mounting bracket MS2-WR-B

- For wall mounting
- For filter regulator, pressure regulator
- Knurled nut included in the scope of delivery



Dimensions							
B1 ±0.2	B2	B3	B4	L1	L2	L3 ±0.1	L4
43	30	3.3	19	30.4	25.7	4.2	2

Materials	
Mounting bracket	Steel Stainless steel (MS2-WR-F1A-B)
Note on materials:	RoHS-compliant

Ordering data							
Size	LABS (PWIS) conformity	Suitable for the production of lithium-ion batteries	Cleanroom class	CRC <sup>1)</sup>	Weight [g]	Part no.	Type
MS2	VDMA24364-B2-L	–	–	1	13.8	<b>8087978</b>	<b>MS2-WR-B</b>
	VDMA24364-B1/B2-L	Metals with more than 1% by mass of copper, zinc or nickel are excluded from use. Exceptions are nickel in steel, chemically nickel-plated surfaces, printed circuit boards, cables, electrical plug connectors and coils.	Class 1 to ISO 14644-1	4	14.6	<b>8167322</b>	<b>MS2-WR-F1A-B<sup>2)</sup></b>

1) More information [www.festo.com/x/topic/crc](http://www.festo.com/x/topic/crc)

2) Recommended for production plants for manufacturing lithium-ion batteries

### Nut MS2-WRS

- For front panel mounting



Materials	
Note on materials:	RoHS-compliant

Ordering data							
Size	LABS (PWIS) conformity	CRC <sup>1)</sup>	Weight [g]	Part no.	Type		
MS2	VDMA24364-B1/B2-L	1	0.7	<b>8098037</b>	<b>MS2-WRS</b>		

1) More information [www.festo.com/x/topic/crc](http://www.festo.com/x/topic/crc)

## Mounting components MS2

### Plug screw MS2-G18S



Materials						
Note on materials:		RoHS-compliant				
Ordering data						
Size	LABS (PWIS) conformity	CRC <sup>1)</sup>	Weight [g]	Part no.	Type	
MS2	VDMA24364-B1/B2-L	1	4.6	<b>8095766</b>	<b>MS2-G18S</b>	

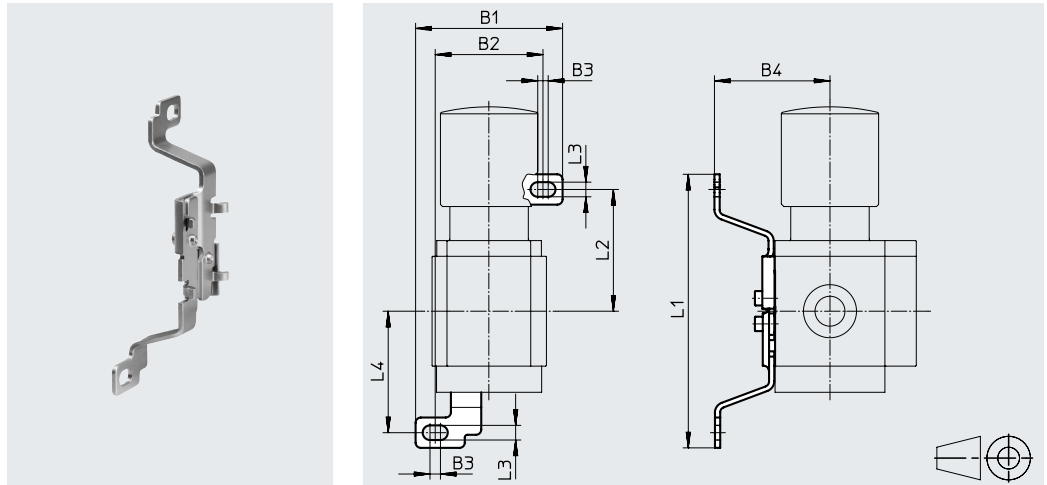
1) More information [www.festo.com/x/topic/crc](http://www.festo.com/x/topic/crc)

## Mounting components MS4, MS6

### Mounting bracket MS4/6-WB

(order code: WB)

- For wall mounting



#### Operating and environmental conditions

Temperature of medium	[°C]	-10 ... +60
Corrosion resistance class CRC <sup>1)</sup>		2

1) More information [www.festo.com/x/topic/crc](http://www.festo.com/x/topic/crc)

#### Materials

Bracket	Steel
Screws	Steel
Note on materials:	RoHS-compliant
LABS (PWIS) conformity	VDMA24364-B1/B2-L

#### Dimensions and ordering data

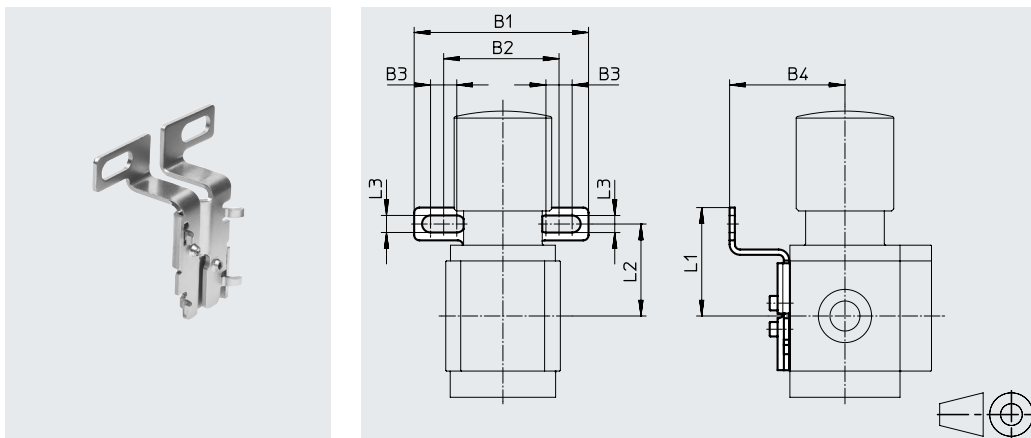
Size	B1	B2	B3	B4	L1	L2	L3	L4	Weight [g]	Part no.	Type
MS4	56.2	41.2	4	44.2	104.6	46.6	5.6	46.5	46	532185	MS4-WB
MS6	79.4	61.9	4.5	55	157.6	71	6.6	71	121	532196	MS6-WB

## Mounting components MS4, MS6

### Mounting bracket MS4-WBM

(order code: WBM)

- For wall mounting



#### Operating and environmental conditions

Temperature of medium [°C]	-10 ... +60
Corrosion resistance class CRC <sup>1)</sup>	2

1) More information [www.festo.com/x/topic/crc](http://www.festo.com/x/topic/crc)

#### Materials

Bracket	Steel
Screws	Steel
Note on materials:	RoHS-compliant
LABS (PWIS) conformity	VDMA24364-B1/B2-L

#### Dimensions and ordering data

Size	B1	B2	B3	B4	L1	L2	L3	Weight [g]	Part no.	Type
MS4	66.5	44	10	44	41.3	35	6.5	48	526062	MS4-WBM

## Mounting components MS4, MS6

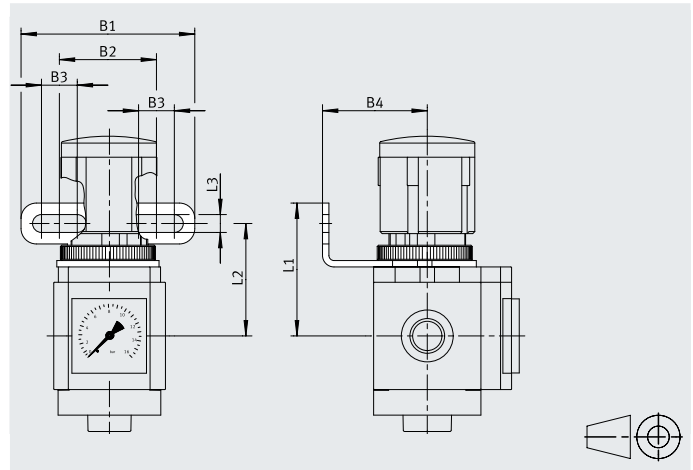
### Mounting bracket MS4/6-WR

(order code: WR)

- For wall mounting
- For filter regulator, pressure regulator



MS4/6-WR



**Note**

If a knurled nut is not included with the service unit component, a hex nut for mounting this bracket will need to be ordered separately.

### Mounting bracket MS4/6-WR-B

(2nd generation)

- For wall mounting
- For filter regulator, pressure regulator
- Knurled nut included in the scope of delivery



MS4/6-WR-B

### Dimensions

Size	B1	B2	B3	B4	L1	L2	L3
MS4	68	38	14	40	52	44	7
MS6	70	38.2	14.2	40	67	57	7.1

### Operating and environmental conditions

Temperature of medium [°C]	-10 ... +60
Corrosion resistance class CRC <sup>1)</sup>	2

1) More information [www.festo.com/x/topic/crc](http://www.festo.com/x/topic/crc)

### Materials

Special material properties	-	Recommended for production facilities for the manufacture of lithium-ion batteries
Bracket	Steel	High alloy stainless steel
Nut	Wrought aluminium alloy (MS4/6-WR-B)	
Note on materials:	RoHS-compliant	

### Materials – special material properties: F1A

Suitability for the production of Li-ion batteries	Metals with more than 1% by mass of copper, zinc or nickel are excluded from use. Exceptions are nickel in steel, chemically nickel-plated surfaces, printed circuit boards, cables, electrical plug connectors and coils
--	---

### Ordering data

Size	LABS (PWIS) conformity	Suitability for the production of Li-ion batteries	Weight [g]	Part no.	Type
MS4	VDMA24364-B1/B2-L	-	49	526064	MS4-WR
	VDMA24364-B2-L	-		8149680	MS4-WR-B
	VDMA24364-B1/B2-L	F1A <sup>1)</sup>		8176693	MS4-WR-F1A-B
MS6	VDMA24364-B1/B2-L	-	90	526075	MS6-WR
	VDMA24364-B2-L	-		8149681	MS6-WR-B
	VDMA24364-B1/B2-L	F1A <sup>1)</sup>		8176696	MS6-WR-F1A-B

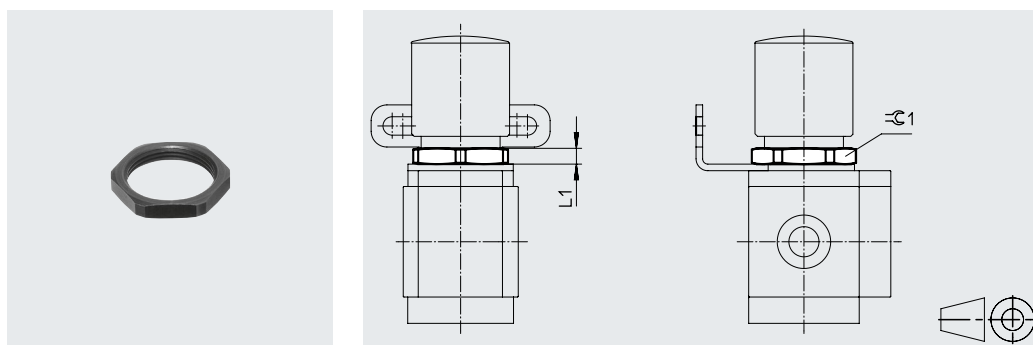
1) Recommended for production plants for manufacturing lithium-ion batteries. More information [www.festo.com/x/topic/bat](http://www.festo.com/x/topic/bat).



## Mounting components MS4, MS6

### Hex nut MS4/6-WRS

- For front panel mounting
- For attaching the mounting bracket MS...-WR



### Operating and environmental conditions

Temperature of medium	[°C]	-10 ... +60
Corrosion resistance class CRC <sup>1)</sup>		2

1) More information [www.festo.com/x/topic/crc](http://www.festo.com/x/topic/crc)

### Materials

Nut	Wrought aluminium alloy
Note on materials:	RoHS-compliant
LABS (PWIS) conformity	VDMA24364-B1/B2-L

### Dimensions and ordering data

Size	L1	≈ 1	Weight [g]	Part no.	Type
MS4	6	36	6.9	532187	MS4-WRS
MS6	7	55	20.9	532188	MS6-WRS

## Mounting components MS4, MS6

### Mounting bracket MS4/6-WP...

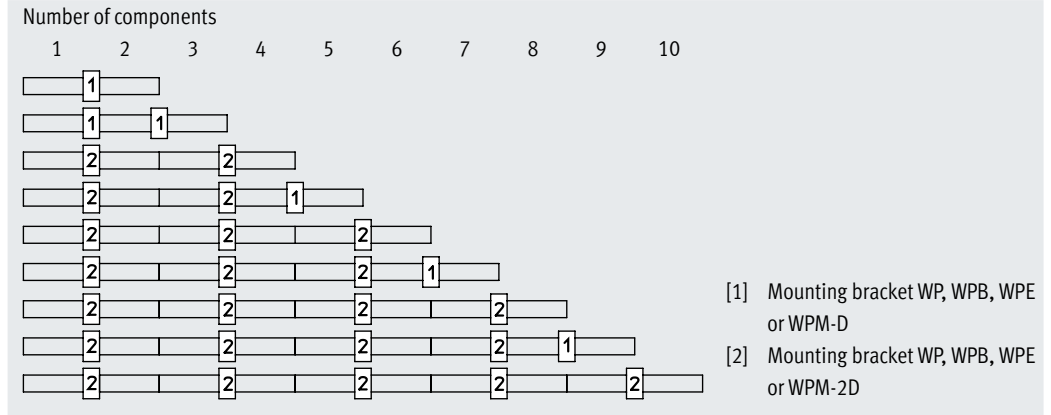
Mounting spacing for mounting service unit combinations

#### Size MS4

- 1 service unit component with MS4-WP... : 40.2 mm (20.1 mm)<sup>1)</sup>
- 2 service unit components with MS4-WP... : 80.4 mm (40.2 mm)<sup>1)</sup>

#### Size MS6

- 1 service unit component with
  - MS6-WP/WPB/WPE: 62 mm (31 mm)<sup>1)</sup>
  - MS6-WPM-D: 69 mm (38 mm)<sup>1)</sup>
- 2 service unit components with
  - MS6-WP/WPB/WPE: 124 mm (62 mm)<sup>1)</sup>
  - MS6-WPM-2D: 138 mm (76 mm)<sup>1)</sup>

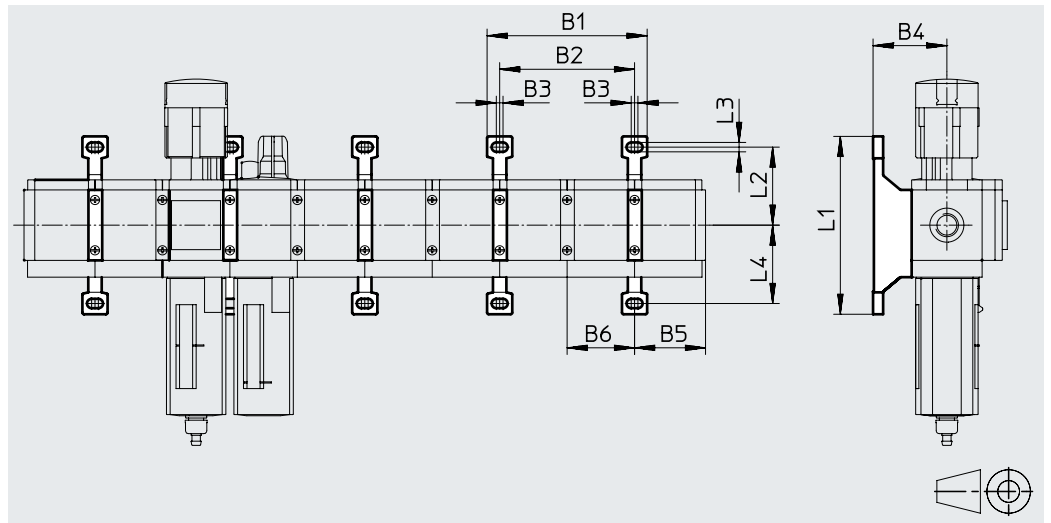


- [1] Mounting bracket WP, WPB, WPE or WPM-D
- [2] Mounting bracket WP, WPB, WPE or WPM-2D

1) With distributor block MS-FRM-FRZ

### Mounting dimensions

**Note**  
The distributor block MS4/6-FRM-FRZ has half the normal grid dimension.



Type	2 service unit components with grid dimension		1 service unit component with grid dimension and 1 distributor block MS-FRM-FRZ		2 distributor blocks MS-FRM-FRZ		B3	B4	Service unit component with grid dimension		Distributor block MS-FRM-FRZ		L1	L2	L3	L4
	B1	B2	B1	B2	B1	B2			B5 <sup>1)</sup>	B6	B5 <sup>1)</sup>	B6				
MS4-WP	95.4	80.4	75.3	60.3	55.2	40.2	4	44	41.9	40.2	21.8	20.1	106	46.5	5.6	46.7
MS4-WPB/WPE								66								45.2
MS4-WPM-...D								44								45.2
MS6-WP	141	124	110	93	79	62	4.5	54.1	64.5	62	33.5	31	158	71	6.6	71
MS6-WPB/WPE								90.5								71
MS6-WPM-...D								168								138

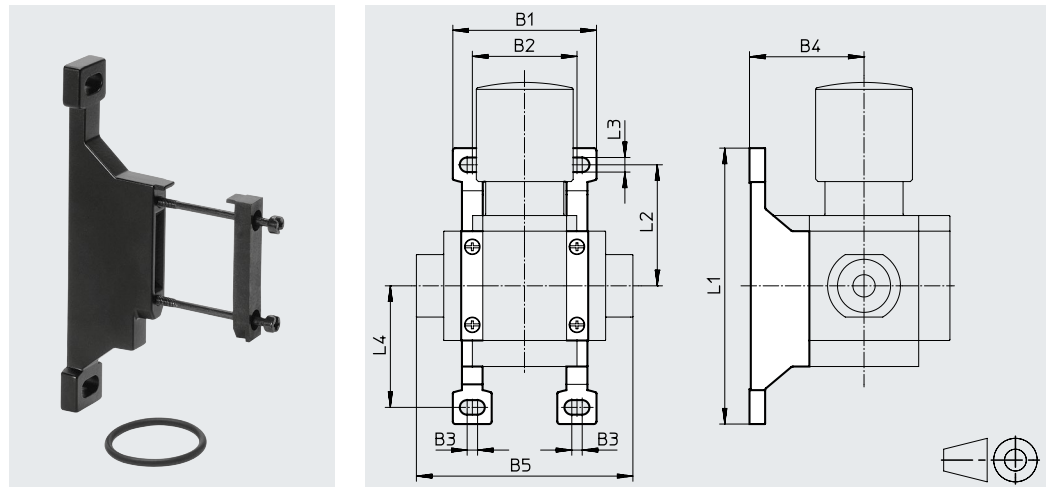
1) With cover cap MS-END as accessory

## Mounting components MS4, MS6

### Mounting bracket MS4/6-WP

(order code: WP)

- For connecting the modules for wall mounting
- In combination with connecting plate MS4/6-AG... for wall mounting an individual component
- In combination with mounting plate MS4/6-AEND for wall mounting an individual component
- For pressure regulator LRB with angled outlet block B... at the rear
- Same wall gap for combinations of series MS4 and MS6



### Operating and environmental conditions

Temperature of medium	[°C]	-10 ... +60
Corrosion resistance class CRC <sup>1)</sup>		2

1) More information [www.festo.com/x/topic/crc](http://www.festo.com/x/topic/crc)

### Materials

Special material properties	-	Recommended for production facilities for the manufacture of lithium-ion batteries
Module connector	POM, steel	POM, High alloy stainless steel
Screws	Steel	High alloy stainless steel
Bracket	Die-cast aluminium	
Seals	NBR	
Note on materials:	RoHS-compliant	
LABS (PWIS) conformity	VDMA24364-B1/B2-L	

### Materials – special material properties: F1A

Suitability for the production of Li-ion batteries	Metals with more than 1% by mass of copper, zinc or nickel are excluded from use. Exceptions are nickel in steel, chemically nickel-plated surfaces, printed circuit boards, cables, electrical plug connectors and coils
--	---

### Dimensions and ordering data

Size	B1	B2	B3	B4	B5	L1	L2	L3	L4	Suitability for the production of Li-ion batteries	Weight [g]	Part no.	Type
MS4	55,2	40,2	4	44	83,4	106	46,5	5,6	46,7	-	39	532184	MS4-WP
MS6	79	62	4,5	54,1	115	158	71	6,6	71		76	532195	MS6-WP

### Products for battery production

MS4	55,2	40,2	4	44	83,4	106	46,5	5,6	46,7	F1A <sup>1)</sup>	39	8176694	MS4-WP-F1A
MS6	79	62	4,5	54,1	115	158	71	6,6	71		76	8176698	MS6-WP-F1A

### For use in potentially explosive areas in zones 2 and 22

MS4	55,2	40,2	4	44	83,4	106	46,5	5,6	46,7	-	39	541554	MS4-WP-EX
MS6	79	62	4,5	54,1	115	158	71	6,6	71		76	541544	MS6-WP-EX

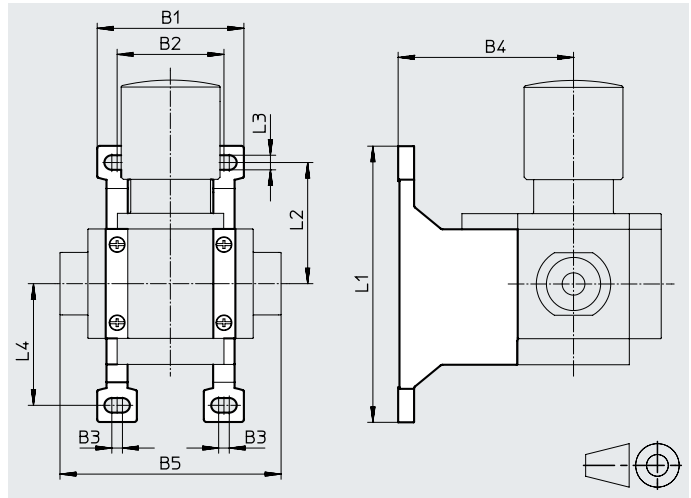
1) Recommended for production plants for manufacturing lithium-ion batteries. More information [www.festo.com/x/topic/bat](http://www.festo.com/x/topic/bat).

## Mounting components MS4, MS6

### Mounting bracket MS4/6-WPB

(order code: WPB)

- For connecting the modules for wall mounting
- In combination with connecting plate MS4/6-AG... for wall mounting an individual component
- In combination with mounting plate MS4/6-AEND for wall mounting an individual component
- Provides large wall gap for pressure regulator



### Operating and environmental conditions

Temperature of medium [°C]	-10 ... +60
Corrosion resistance class CRC <sup>1)</sup>	2

1) More information [www.festo.com/x/topic/crc](http://www.festo.com/x/topic/crc)

### Materials

Bracket	Die-cast aluminium
Module connector	POM, steel
Screws	Steel
Seals	NBR
Note on materials:	RoHS-compliant
LABS (PWIS) conformity	VDMA24364-B1/B2-L

### Dimensions and ordering data

Size	B1	B2	B3	B4	B5	L1	L2	L3	L4	Weight [g]	Part no.	Type
MS4	55.2	40.2	4	66	83.4	106	46.5	5.6	46.7	55	526063	MS4-WPB
MS6	79	62	4.5	90.5	115	158	71	6.6	71	115	526074	MS6-WPB

### For use in potentially explosive areas in zones 2 and 22

MS4	55.2	40.2	4	66	83.4	106	46.5	5.6	46.7	55	541552	MS4-WPB-EX
MS6	79	62	4.5	90.5	115	158	71	6.6	71	115	541542	MS6-WPB-EX

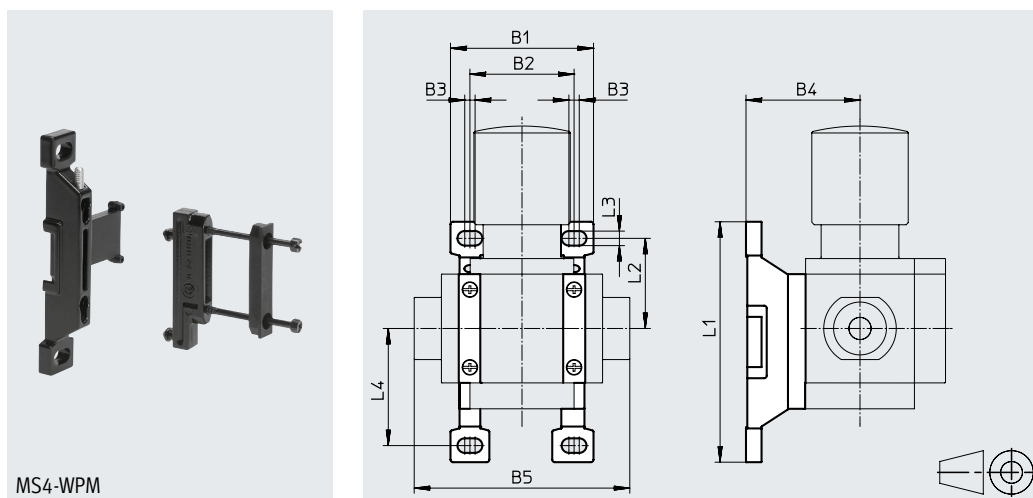
## Mounting components MS4, MS6

### Mounting bracket MS4-WPM

(order code: WPM)

- For connecting the modules for wall mounting
- In combination with connecting plate MS4-AG... for wall mounting an individual component
- Fast hooking and unhooking
- For installing modules with control knob pointing downwards

The distance piece D or 2D included in the scope of delivery ensures the mounting clearance is maintained



MS4-WPM

### Operating and environmental conditions

Temperature of medium [°C]	-10 ... +60
Corrosion resistance class CRC <sup>1)</sup>	2

1) More information [www.festo.com/x/topic/crc](http://www.festo.com/x/topic/crc)

### Materials

Bracket	Die-cast aluminium
Module connector	POM, steel
Screws	Steel
Seals	NBR
Note on materials:	RoHS-compliant
LABS (PWIS) conformity	VDMA24364-B1/B2-L

### Dimensions and ordering data

Size	B1	B2	B3	B4	B5	L1	L2	L3	L4	Mounting spacing	Weight [g]	Part no.	Type
MS4	55.2	40.2	4	44	83.4	92.8	34.8	5.6	45.2	40.2	45	526060	MS4-WPM-D
	95.4	80.4			123.4					80.4	55	526061	MS4-WPM-2D

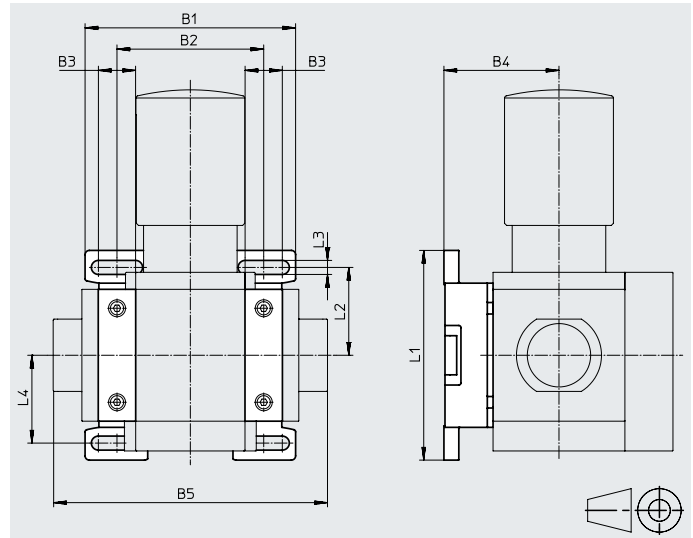
## Mounting components MS4, MS6

### Mounting bracket MS6-WPM

(order code: WPM)

- For connecting the modules for wall mounting
- In combination with connecting plate MS6-AG... for wall mounting an individual component
- Fast hooking and unhooking
- For installing modules with control knob pointing downwards

The distance piece D or 2D included in the scope of delivery ensures the mounting clearance is maintained



### Operating and environmental conditions

Temperature of medium	[°C]	-10 ... +60
Corrosion resistance class CRC <sup>1)</sup>		2

1) More information [www.festo.com/x/topic/crc](http://www.festo.com/x/topic/crc)

### Materials

Bracket	Die-cast aluminium
Module connector	Die-cast aluminium
Screws	Steel
Seals	NBR
Note on materials:	RoHS-compliant
LABS (PWIS) conformity	VDMA24364-B1/B2-L

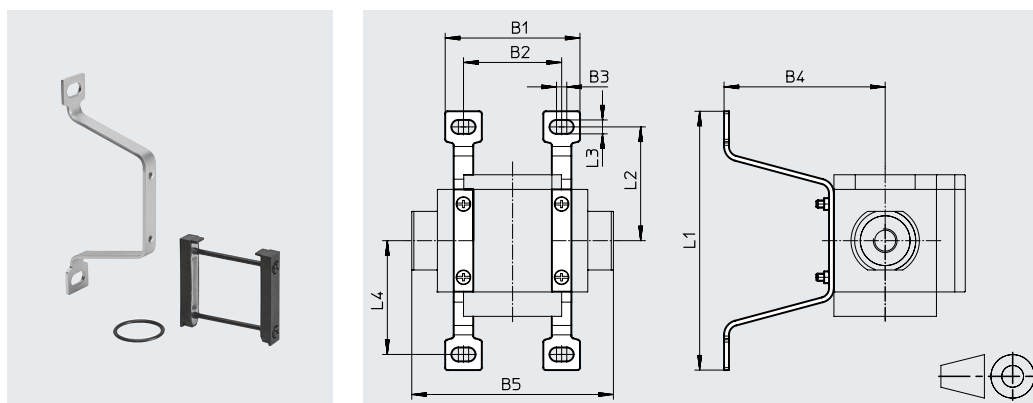
### Dimensions and ordering data

Size	B1	B2	B3	B4	B5	L1	L2	L3	L4	Mounting spacing	Weight [g]	Part no.	Type
MS6	99	69	17.5	54.1	129	98.6	41.3	6.6	41.3	69	144	526073	MS6-WPM-D
	168	138			198					138	154	532186	MS6-WPM-2D

## Mounting components MS4, MS6

### Mounting bracket MS4/6-WPE

- Inexpensive alternative to mounting bracket MS4/6-WP/-WPB



#### Materials

Mounting bracket	Steel
Note on materials	RoHS-compliant
LABS (PWIS) conformity	VDMA24364-B1/B2-L

#### Dimensions and ordering data

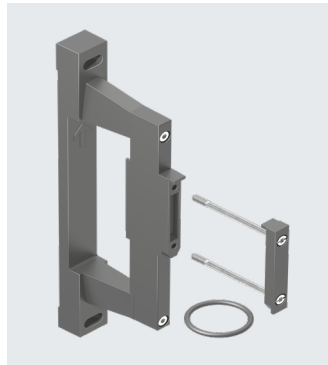
	B1	B2	B3	B4	B5	L1	L2	L3	L4	CRC <sup>1)</sup>	Weight [g]	Part no.	Type
<b>Size 4</b>													
For MS series	55.2	40.2	4.2	66	83.4	106	46.6	5.7	46.6	2	42	558869	MS4-WPE
For MS series, Basic version	55.2	40.2	5	44.4	83.3	106	46.6	5.7	46.6	2	30	8118600	MS4-WPE-B
<b>Size: 6</b>													
For MS series	79	62	4.3	90.5	115	158	71	6.5	71	2	78	1025936	MS6-WPE
For MS series, Basic version	79	62	4.3	53.9	114.9	158	71	6.5	71	2	58	8118599	MS6-WPE-B

1) More information [www.festo.com/x/topic/crc](http://www.festo.com/x/topic/crc)

## Mounting components MS4, MS6

### Wall mounting-SET MS6-WPG

- For connecting the modules for wall mounting
- Same wall gap for combinations of series MS6 and MSE6



### Operating and environmental conditions

Temperature of medium [°C]	-10 ... +60
Corrosion resistance class CRC <sup>1)</sup>	2

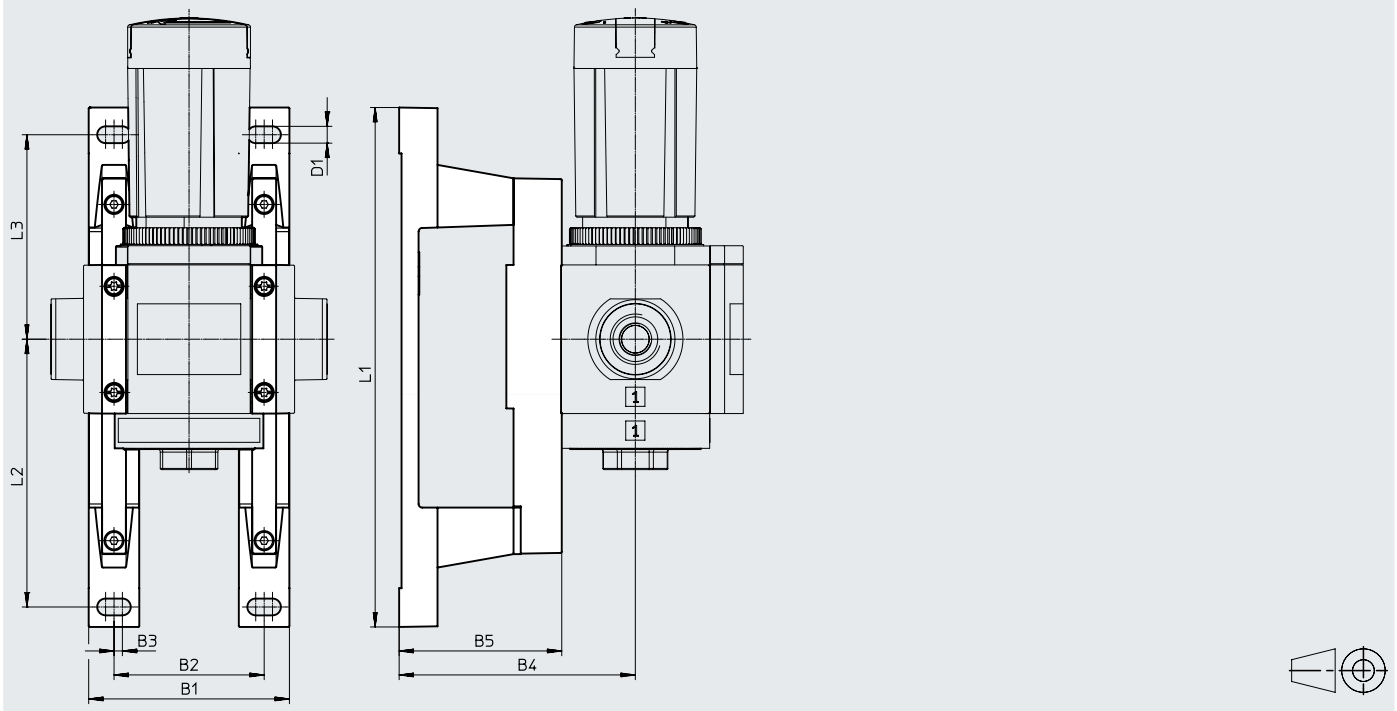
1) More information [www.festo.com/x/topic/crc](http://www.festo.com/x/topic/crc)

### Materials

Bracket	Die-cast aluminium
Module connector	POM, steel
Screws	Steel
Seals	NBR
Note on materials	RoHS-compliant
LABS (PWIS) conformity	VDMA24364-B1/B2-L

### Dimensions

Download CAD data → [www.festo.com](http://www.festo.com)



### Dimensions and ordering data

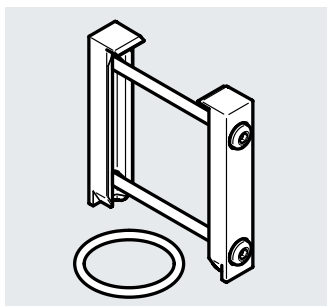
Size	B1	B2	B3	B4	B5	D1	L1	L2	L3	Weight [g]	Part no.	Type
MS6	84	62	3.5	99	68	7	217	111	86	245	8072794	MS6-WPG



## Mounting components MS4, MS6

### Module connector MS4/6-MV

- For connecting the modules



#### Operating and environmental conditions

Temperature of medium [°C]	-10 ... +60
Corrosion resistance class CRC <sup>1)</sup>	2

1) More information [www.festo.com/x/topic/crc](http://www.festo.com/x/topic/crc)

#### Materials

Special material properties	-	Recommended for production facilities for the manufacture of lithium-ion batteries
Module connector	POM, steel	POM, high-alloy stainless steel
Screws	Steel	High-alloy stainless steel
Seals	NBR	
Note on materials:	RoHS-compliant	
LABS (PWIS) conformity	VDMA24364-B1/B2-L	

#### Materials – special material properties: F1A

Suitability for the production of Li-ion batteries	Metals with more than 1% by mass of copper, zinc or nickel are excluded from use. Exceptions are nickel in steel, chemically nickel-plated surfaces, printed circuit boards, cables, electrical plug connectors and coils
--	---

#### Ordering data

Size	Corrosion resistance class CRC <sup>1)</sup>	Suitability for the production of Li-ion batteries	Weight [g]	Part no.	Type
MS4	4	-	13	8119201	MS4-MV1
MS6			33	8119204	MS6-MV1

#### Products for battery production

MS4	4	F1A <sup>2)</sup>	13	8176695	MS4-MV1-F1A
MS6			33	8176697	MS6-MV1-F1A

#### For use in potentially explosive areas in zones 2 and 22

MS4	2	-	36	541553	MS4-MV-EX
MS6			54	541543	MS6-MV-EX

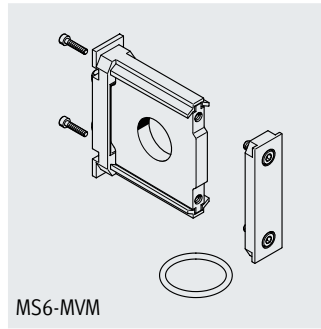
1) More information [www.festo.com/x/topic/crc](http://www.festo.com/x/topic/crc)

2) Recommended for production plants for manufacturing lithium-ion batteries. More information [www.festo.com/x/topic/bat](http://www.festo.com/x/topic/bat).

## Mounting components MS4, MS6

### Module connector MS4/6-MVM

- For installing modules with control knob pointing downwards



### Operating and environmental conditions

Temperature of medium [°C]	-10 ... +60
Corrosion resistance class CRC <sup>1)</sup>	2

1) More information [www.festo.com/x/topic/crc](http://www.festo.com/x/topic/crc)

### Materials

Size	MS4	MS6
Module connector	POM, steel	Die-cast aluminium
Plate	Die-cast aluminium	
Screws	Steel	
Seals	NBR	
Note on materials:	RoHS-compliant	
LABS (PWIS) conformity	VDMA24364-B1/B2-L	

### Ordering data

Size	Weight [g]	Part no.	Type
MS4	19	532800	MS4-MVM
MS6	89	532801	MS6-MVM

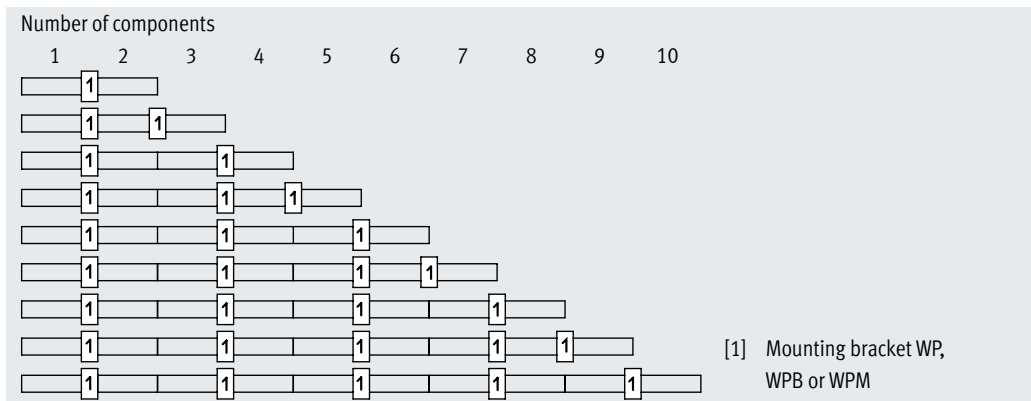
## Mounting components MS9

### Mounting bracket MS9-WP..

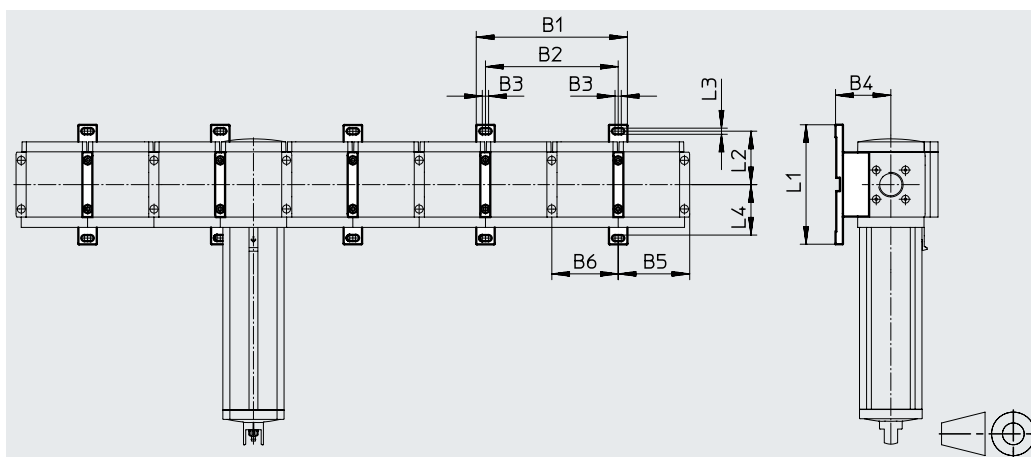
Mounting spacing for mounting service unit combinations

1 service unit component: 90 mm

2 service unit components: 180 mm



### Mounting dimensions



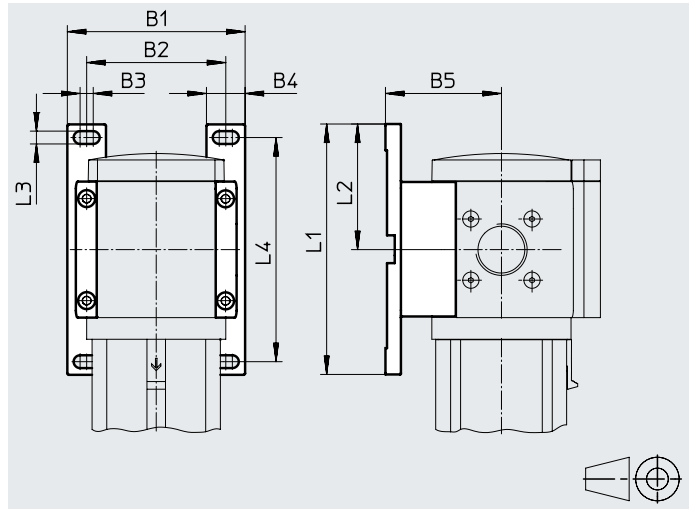
Type	B1	B2	B3	B4	B5	B6	L1	L2	L3	L4
MS9-WP	205	180	8.5	75	97	90	162	72.75	8.3	72.25
MS9-WPB				99						
MS9-WPM				90.5						

## Mounting components MS9

### Mounting bracket MS9-WP

(order code: WP)

- For connecting the modules for wall mounting
- In combination with connecting plate MS9-AG... for wall mounting an individual component



### Operating and environmental conditions

Temperature of medium [°C]	-10 ... +60
Corrosion resistance class CRC <sup>1)</sup>	2

1) More information [www.festo.com/x/topic/crc](http://www.festo.com/x/topic/crc)

### Materials

Bracket	Die-cast aluminium
Module connector	Die-cast aluminium
Hollow bolt	Die-cast aluminium
Screws	Steel
Seals	NBR
Note on materials:	RoHS-compliant
LABS (PWIS) conformity	VDMA24364-B1/B2-L

### Dimensions and ordering data

Size	B1	B2	B3	B4	B5	L1	L2	L3	L4	Weight [g]	Part no.	Type
MS9	115	90	8.5	25	75	162	81.25	8.3	145	180	552947	MS9-WP

### - Note

The screws for the wall bracket are partially covered on the rear by the housing of the on/off valves MS9-EM or MS9-EE.

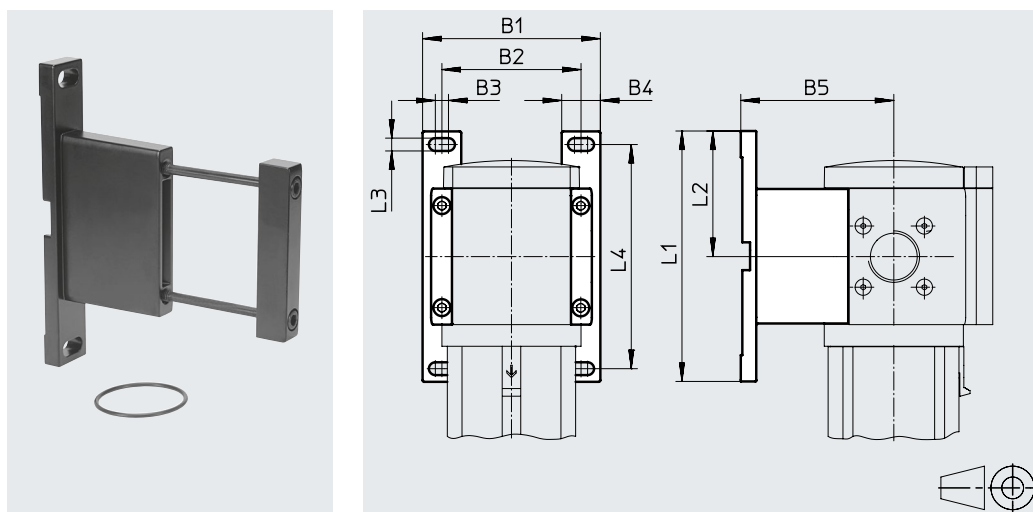
Depending on the configuration of a service unit combination, the screws will no longer be accessible. The mounting bracket MS9-WPM is therefore recommended for wall mounting.

## Mounting components MS9

### Mounting bracket MS9-WPB

(order code: WPB)

- For connecting the modules for wall mounting
- In combination with connecting plate MS9-AG... for wall mounting an individual component
- Same wall gap for combination with MS12 series using the mounting bracket MS12-WP



#### Operating and environmental conditions

Temperature of medium [°C]	-10 ... +60
Corrosion resistance class CRC <sup>1)</sup>	2

1) More information [www.festo.com/x/topic/crc](http://www.festo.com/x/topic/crc)

#### Materials

Bracket	Die-cast aluminium
Module connector	Die-cast aluminium
Hollow bolt	Die-cast aluminium
Screws	Steel
Seals	NBR
Note on materials:	RoHS-compliant
LABS (PWIS) conformity	VDMA24364-B1/B2-L

#### Dimensions and ordering data

Size	B1	B2	B3	B4	B5	L1	L2	L3	L4	Weight [g]	Part no.	Type
MS9	115	90	8.5	25	99	162	81.25	8.3	145	210	552949	MS9-WPB

**Note**

The screws for the wall bracket are partially covered on the rear by the housing of the on/off valves MS9-EM or MS9-EE.

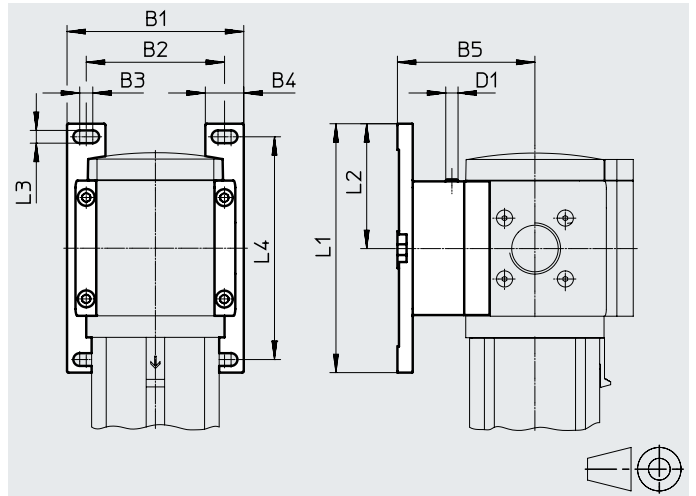
Depending on the configuration of a service unit combination, the screws will no longer be accessible. The mounting bracket MS9-WPB is therefore recommended for wall mounting.

## Mounting components MS9

### Mounting bracket MS9-WPM

(order code: WPM)

- For connecting the modules for wall mounting
- In combination with connecting plate MS9-AG... for wall mounting an individual component
- Fast hooking and unhooking
- Same wall gap for combination with MS6 series using the mounting bracket MS6-WPB



The distance pieces included in the scope of delivery ensure the mounting spacing is maintained.

### Operating and environmental conditions

Temperature of medium [°C]	-10 ... +60
Corrosion resistance class CRC <sup>1)</sup>	2

1) More information [www.festo.com/x/topic/crc](http://www.festo.com/x/topic/crc)

### Materials

Bracket	Die-cast aluminium
Module connector	Die-cast aluminium
Hollow bolt	Die-cast aluminium
Screws	Steel
Seals	NBR
Note on materials:	RoHS-compliant
LABS (PWIS) conformity	VDMA24364-B1/B2-L

### Dimensions and ordering data

Size	B1	B2	B3	B4	B5	D1	L1	L2	L3	L4	Weight [g]	Part no.	Type
MS9	115	90	8.5	25	90.5	M8	162	81.3	8.3	145	220	552948	MS9-WPM

## Mounting components MS9

### Module connector MS9-MV

- For connecting the modules



#### Operating and environmental conditions

Temperature of medium	[°C]	-10 ... +60
Corrosion resistance class CRC <sup>1)</sup>		2

1) More information [www.festo.com/x/topic/crc](http://www.festo.com/x/topic/crc)

#### Materials

Module connector	Die-cast aluminium
Hollow bolt	Die-cast aluminium
Screws	Steel
Seals	NBR
Note on materials:	RoHS-compliant
LABS (PWIS) conformity	VDMA24364-B1/B2-L

#### Ordering data

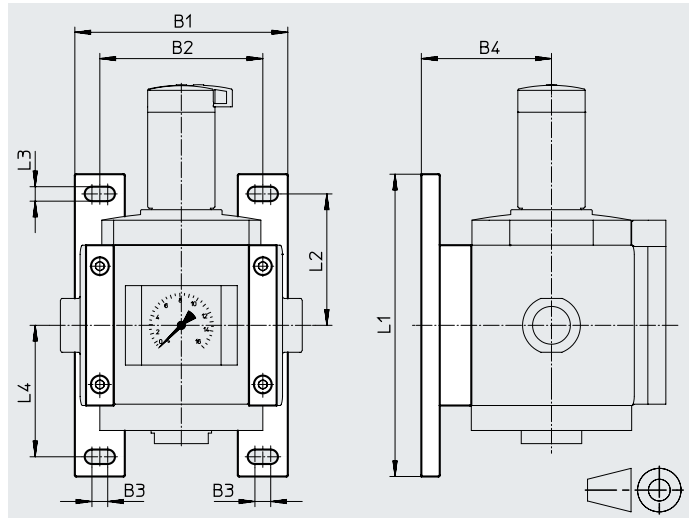
Size	Weight [g]	Part no.	Type
MS9	110	552950	MS9-MV

## Mounting components MS12

### Mounting bracket MS12-WP

(order code: WP)

- For connecting the modules for wall mounting
- In combination with connecting plate for wall mounting an individual component



### Operating and environmental conditions

Temperature of medium	[°C]	-10 ... +60
Storage temperature	[°C]	-10 ... +60
Corrosion resistance class CRC <sup>1)</sup>		2

1) More information [www.festo.com/x/topic/crc](http://www.festo.com/x/topic/crc)

### Materials

Bracket	Die-cast aluminium
Plate	Die-cast aluminium
Screws	Steel
Seals	NBR
Note on materials:	RoHS-compliant
LABS (PWIS) conformity	VDMA24364-B1/B2-L

### Dimensions and ordering data

Size	B1	B2	B3	B4	L1	L2	L3	L4	Weight [g]	Part no.	Type
MS12	162	124	12	99	230	100	11	100	700	537133	MS12-WP



## Mounting components MS12

### Module connector MS12-MV

- For connecting the modules



#### Operating and environmental conditions

Temperature of medium	[°C]	-10 ... +60
Storage temperature	[°C]	-10 ... +60
Corrosion resistance class CRC <sup>1)</sup>		2

1) More information [www.festo.com/x/topic/crc](http://www.festo.com/x/topic/crc)

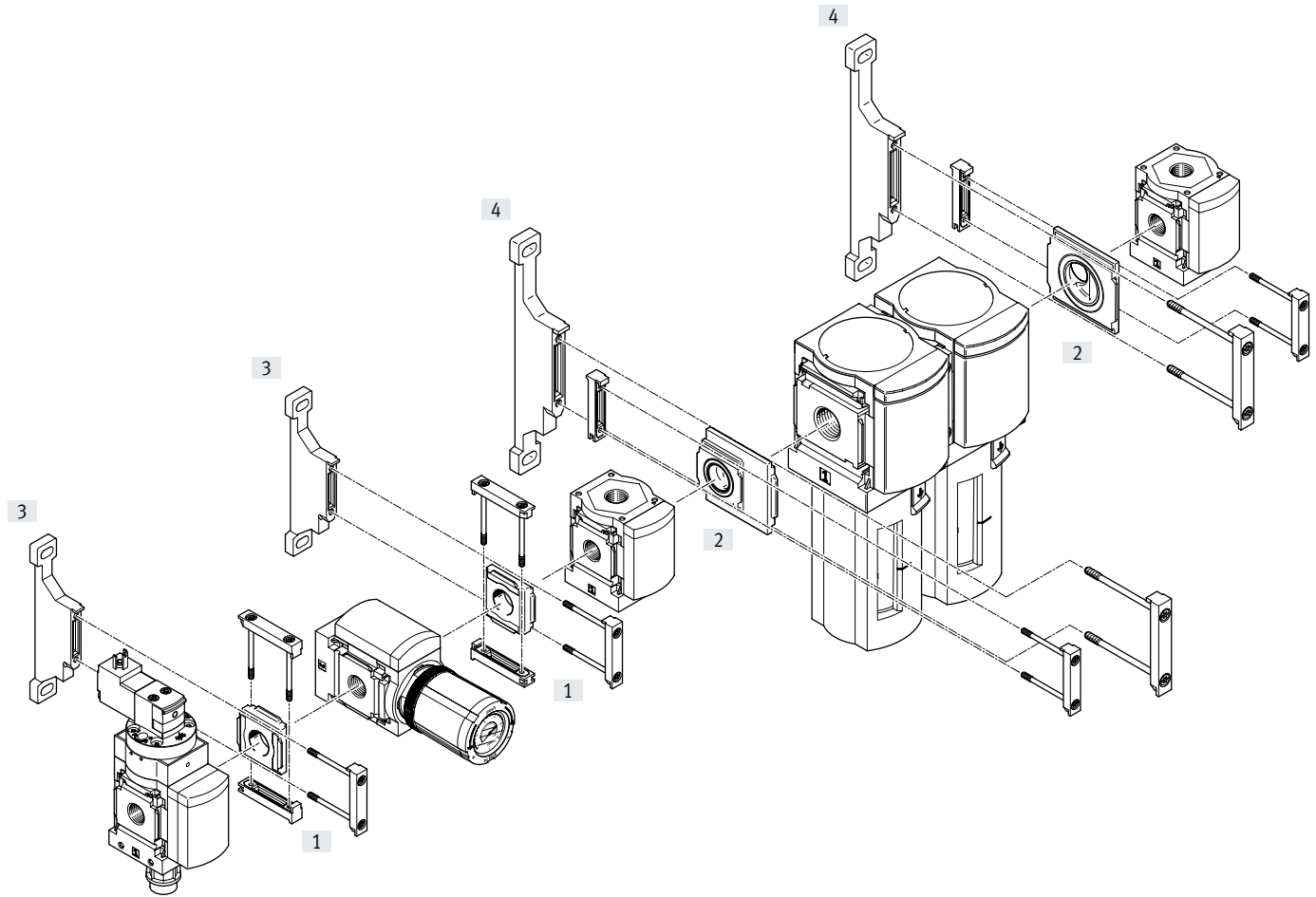
#### Materials

Plate	Die-cast aluminium
Screws	Steel
Seals	NBR
Note on materials:	RoHS-compliant
LABS (PWIS) conformity	VDMA24364-B1/B2-L

#### Ordering data


Size	Weight [g]	Part no.	Type
MS12	500	<b>537134</b>	<b>MS12-MV</b>

Mounting components MS4, MS6



Mounting components

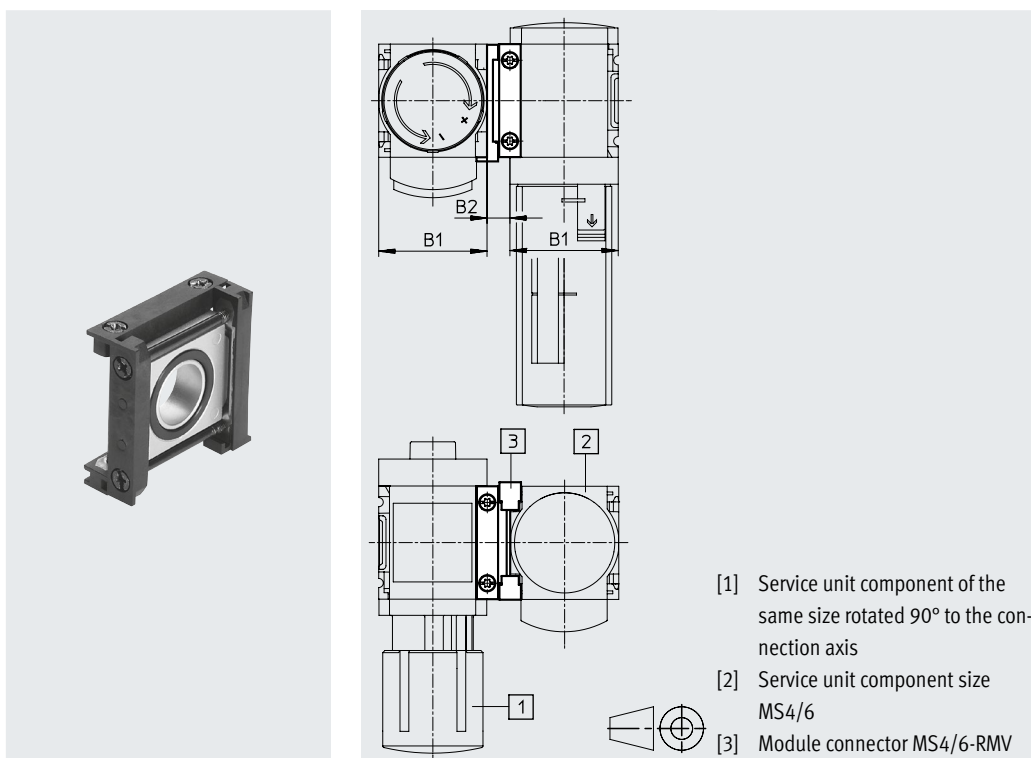
		→ Page/Internet
[1]	Module connector MS4/6-RMV	27
[2]	Module connector MS4-6-AMV	28
[3]	Mounting bracket MS4-WP	11
[4]	Mounting bracket MS6-WP	11

 **Note**  
Mounting components for wall  
mounting → page 10

## Mounting components MS4, MS6

### Module connector MS4/6-RMV

- For connecting service unit components rotated 90° to the connection axis



- [1] Service unit component of the same size rotated 90° to the connection axis  
 [2] Service unit component size MS4/6  
 [3] Module connector MS4/6-RMV

### Operating and environmental conditions

Temperature of medium	[°C]	-10 ... +60
Corrosion resistance class CRC <sup>1)</sup>		2

1) More information [www.festo.com/x/topic/crc](http://www.festo.com/x/topic/crc)

### Materials

Connecting plate	Die-cast aluminium
Module connector	Die-cast aluminium
Sealing ring	NBR
Note on materials:	RoHS-compliant
LABS (PWIS) conformity	VDMA24364-B1/B2-L


### Dimensions and ordering data

Size	B1	B2	Weight [g]	Part no.	Type
MS4	40.2	8.5	42	543490	MS4-RMV
MS6	62	11	112	543491	MS6-RMV
<b>For use in potentially explosive areas in zones 2 and 22</b>					
MS4	40.2	8.5	42	563393	MS4-RMV-EX
MS6	62	11	112	563394	MS6-RMV-EX

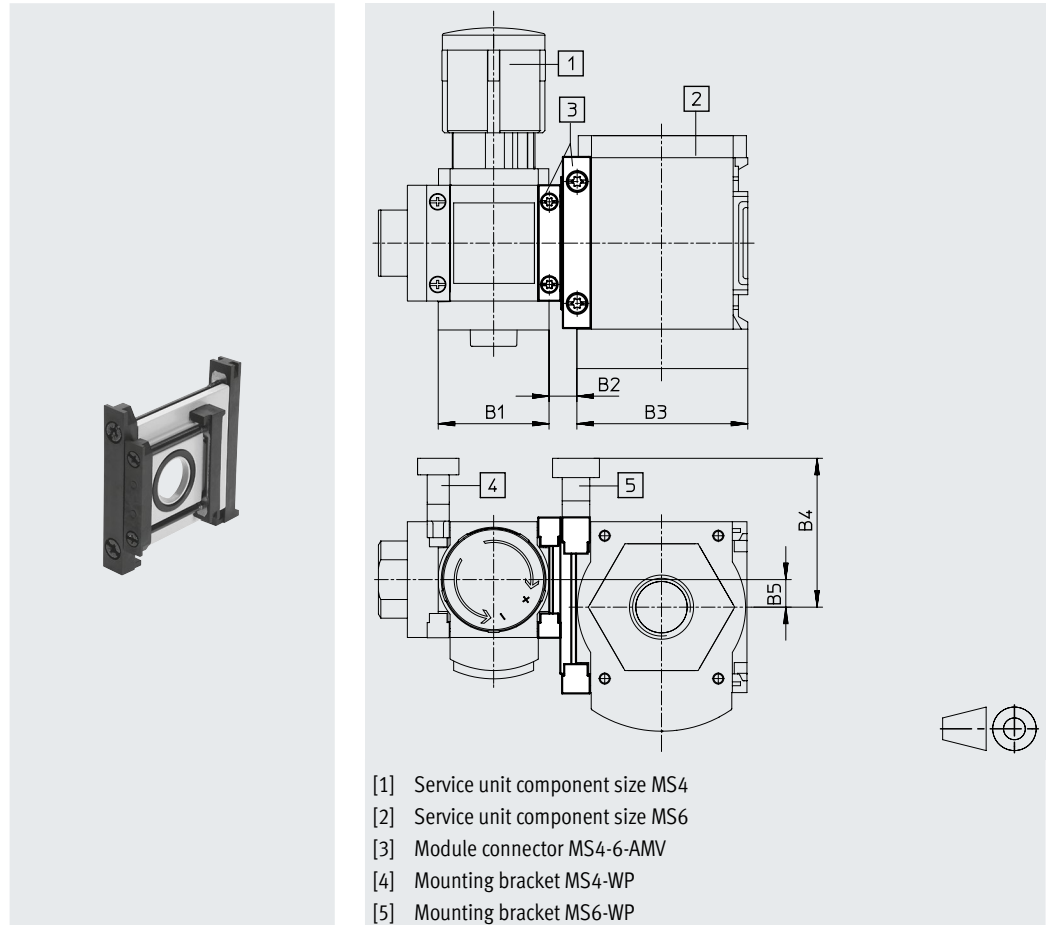
## Mounting components MS4, MS6

### Module connector MS4-6-AMV

- For connecting MS4 and MS6 components into one unit

 **Note**

The larger mounting bracket should always be used on the module connector. The mounting bracket must be ordered separately.



- [1] Service unit component size MS4
- [2] Service unit component size MS6
- [3] Module connector MS4-6-AMV
- [4] Mounting bracket MS4-WP
- [5] Mounting bracket MS6-WP

### Operating and environmental conditions

Temperature of medium [°C]	-10 ... +60
Corrosion resistance class CRC <sup>1)</sup>	2

1) More information [www.festo.com/x/topic/crc](http://www.festo.com/x/topic/crc)

### Materials

Connecting plate	Die-cast aluminium
Module connector	Die-cast aluminium
Sealing ring	NBR
Note on materials:	RoHS-compliant
LABS (PWIS) conformity	VDMA24364-B1/B2-L

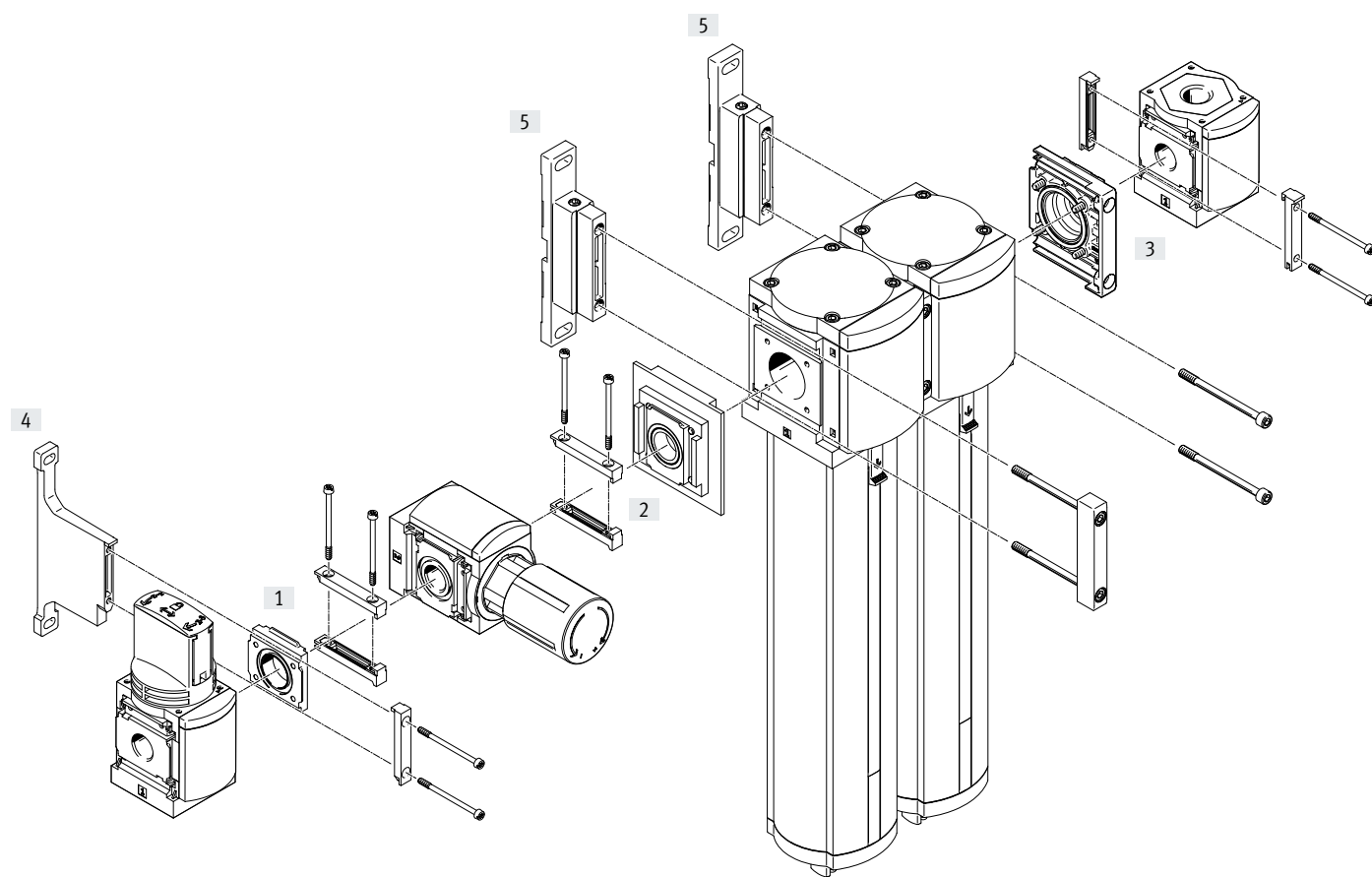
### Dimensions and ordering data

Size	B1	B2	B3	B4	B5	Weight [g]	Part no.	Type
MS4/6	40.2	10	62	54.1	10	77	543489	MS4-6-AMV


### For use in potentially explosive areas in zones 2 and 22

MS4/6	40.2	10	62	54.1	10	77	563392	MS4-6-AMV-EX
-------	------	----	----	------	----	----	--------	--------------

## Mounting components MS6/MS9




Mounting components		→ Page/Internet
[1]	Module connector MS6-RMV	27
[2]	Module connector MS6-9-ARMV	31
[3]	Module connector MS6-9-AMV	30
[4]	Mounting bracket MS6-WPB	12
[5]	Mounting bracket MS9-WPM	22

 **Note**  
Same wall gap when using mounting brackets MS6-WPB and MS9-WPM within an MS6/9 combination.

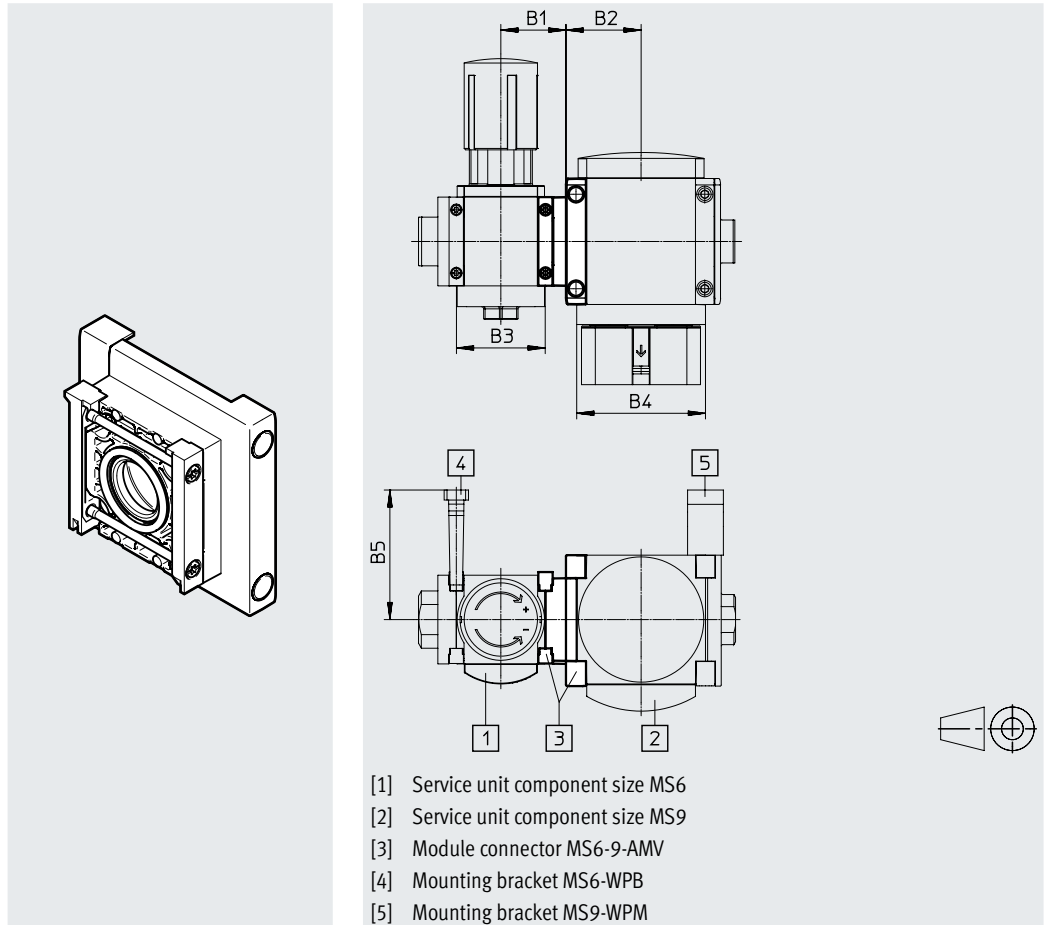
## Module connector MS6/MS9

### Module connector MS6-9-AMV

- For connecting MS6 and MS9 components into one unit
- Mounting with mounting bracket possible

 **Note**

The larger mounting bracket should always be used on the module connector. The mounting bracket must be ordered separately.



- [1] Service unit component size MS6
- [2] Service unit component size MS9
- [3] Module connector MS6-9-AMV
- [4] Mounting bracket MS6-WPB
- [5] Mounting bracket MS9-WPM

### Operating and environmental conditions

Temperature of medium [°C]	-10 ... +60
Corrosion resistance class CRC <sup>1)</sup>	2

1) More information [www.festo.com/x/topic/crc](http://www.festo.com/x/topic/crc)

### Materials

Connecting plate	Die-cast aluminium
Module connector	Die-cast aluminium
Screws	Steel
Seals	NBR
Note on materials:	RoHS-compliant
LABS (PWIS) conformity	VDMA24364-B1/B2-L


### Dimensions and ordering data

Size	B1	B2	B3	B4	B5	Weight [g]	Part no.	Type
MS6/9	45.5	52.5	62	90	90.5	220	3426895	MS6-9-AMV
<b>For use in potentially explosive areas in zones 1, 2, 21 and 22</b>								
MS6/9	45.5	52.5	62	90	90.5	220	3433264	MS6-9-AMV-EX

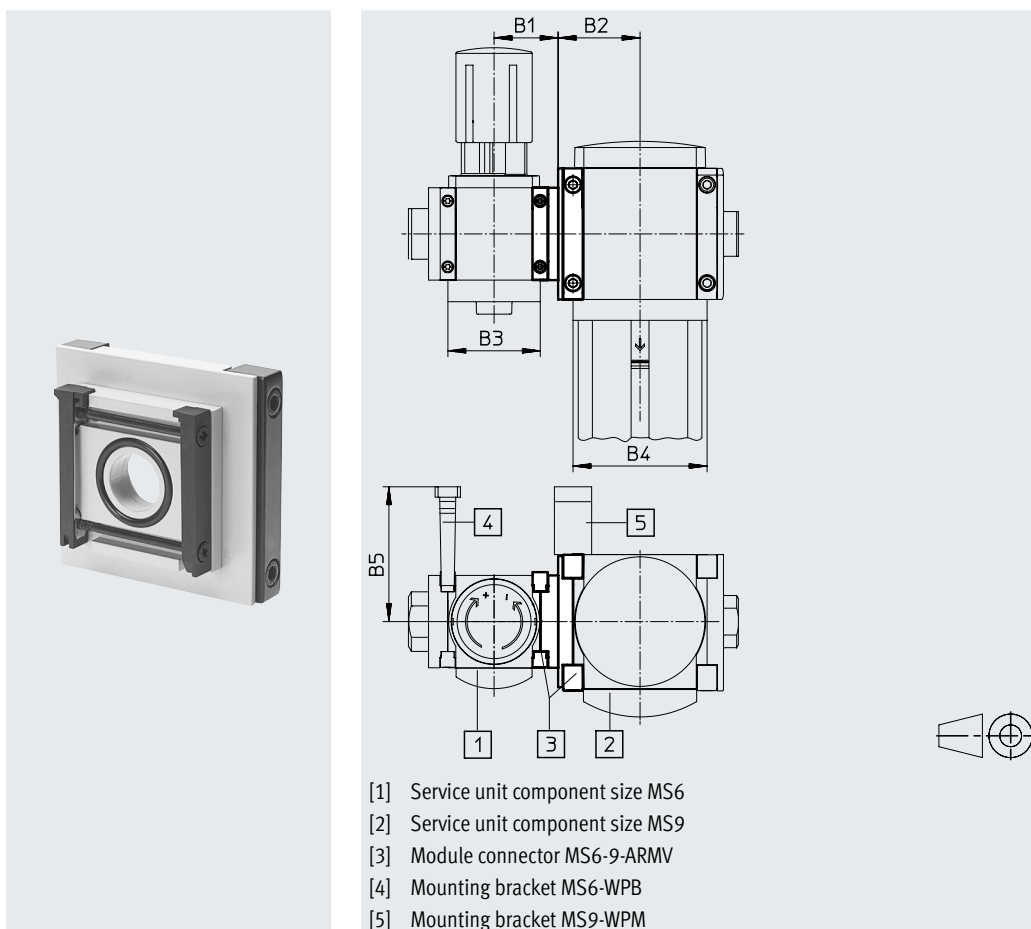
## Module connector MS6/MS9

### Module connector MS6-9-ARMV

- For connecting MS6 and MS9 components into one unit
- Possible to rotate a service unit component 90° to the connection axis

 **Note**

The larger mounting bracket should always be used on the module connector. The mounting bracket must be ordered separately.



### Operating and environmental conditions

Temperature of medium [°C]	-10 ... +60
Corrosion resistance class CRC <sup>1)</sup>	2

1) More information [www.festo.com/x/topic/crc](http://www.festo.com/x/topic/crc)

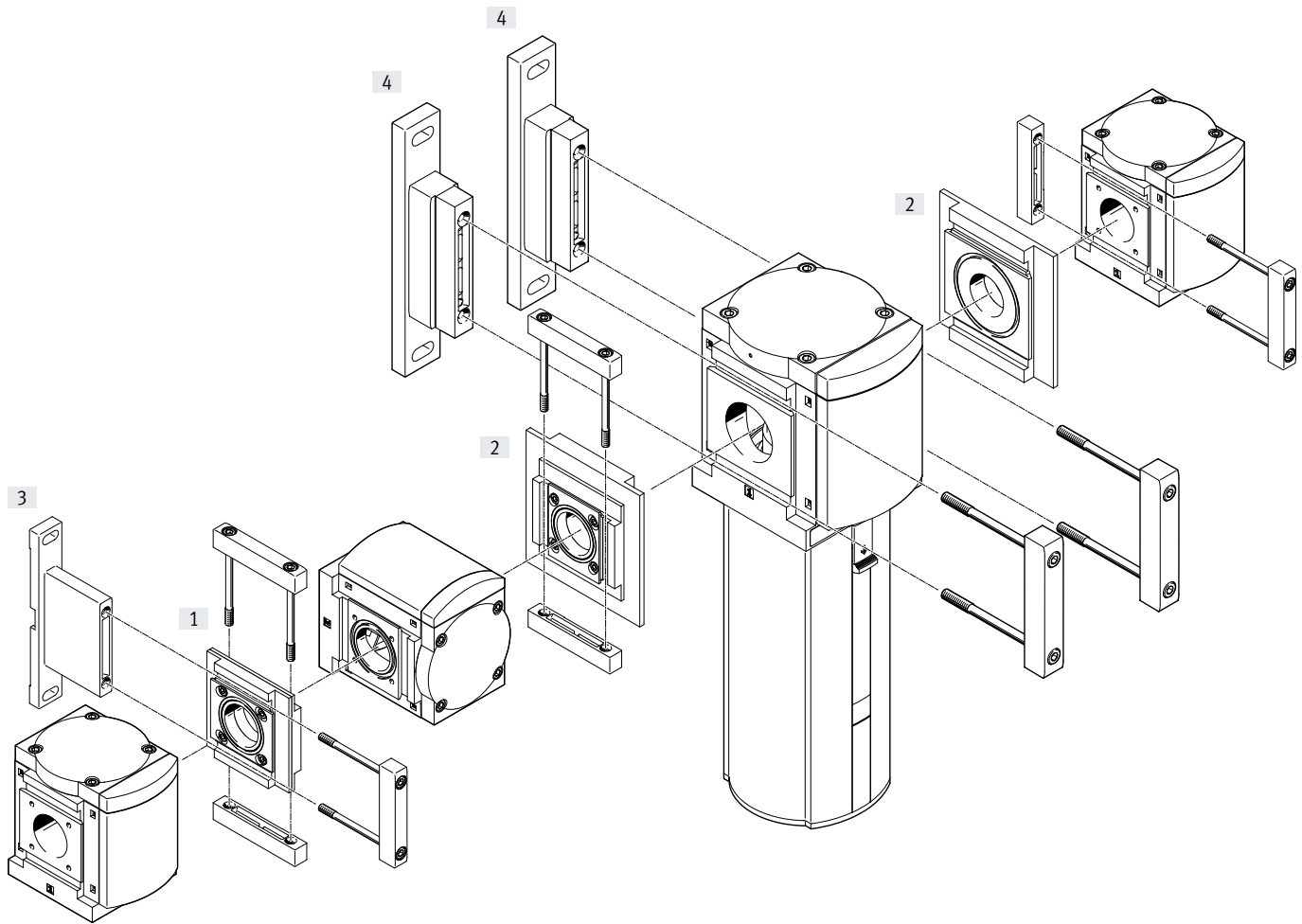
### Materials

Connecting plate	Die-cast aluminium
Module connector	Die-cast aluminium
Screws	Steel
Seals	NBR
Note on materials:	RoHS-compliant
LABS (PWIS) conformity	VDMA24364-B1/B2-L

### Dimensions and ordering data

Size	B1	B2	B3	B4	B5	Weight [g]	Part no.	Type
MS6/9	43	55	62	90	90.5	350	552951	MS6-9-ARMV
<b>For use in potentially explosive areas in zones 1, 2, 21 and 22</b>								
MS6/9	43	55	62	90	90.5	350	1758175	MS6-9-ARMV-EX

## Mounting components MS9/MS12



### Mounting components

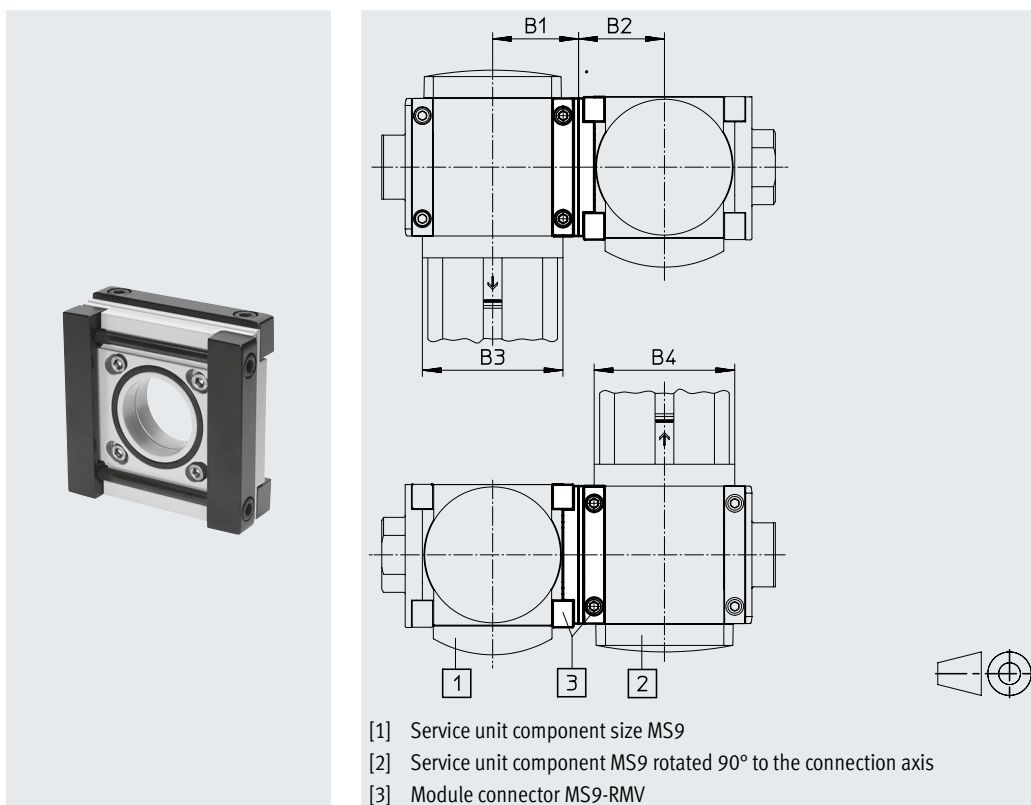
		→ Page/Internet
[1]	Module connector MS9-RMV	33
[2]	Module connector MS9-12-ARMV	34
[3]	Mounting bracket MS9-WPB	21
[4]	Mounting bracket MS12-WP	24



## Mounting components MS9/MS12

### Module connector MS9-RMV

- For connecting service unit components rotated 90° to the connection axis



- [1] Service unit component size MS9
- [2] Service unit component MS9 rotated 90° to the connection axis
- [3] Module connector MS9-RMV

### Operating and environmental conditions

Temperature of medium	[°C]	-10 ... +60
Corrosion resistance class CRC <sup>1)</sup>		2

1) More information [www.festo.com/x/topic/crc](http://www.festo.com/x/topic/crc)

### Materials

Connecting plate	Die-cast aluminium
Module connector	Die-cast aluminium
Screws	Steel
Seals	NBR
Note on materials:	RoHS-compliant
LABS (PWIS) conformity	VDMA24364-B1/B2-L


### Dimensions and ordering data

Size	B1	B2	B3	B4	Weight [g]	Part no.	Type
MS9	55	55	90	90	920	552952	MS9-RMV

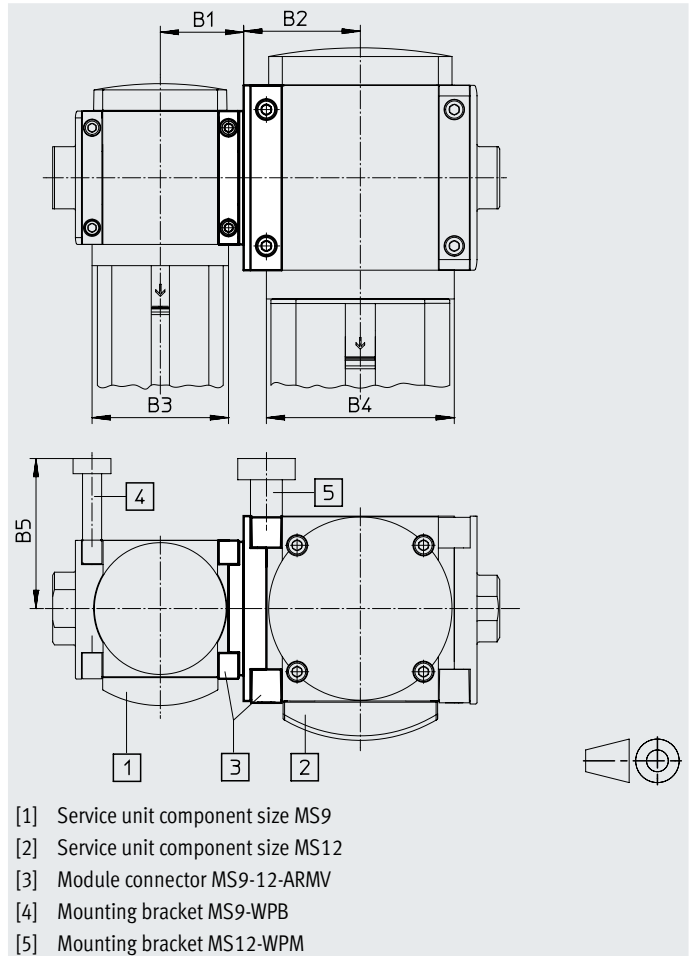
## Mounting components MS9/MS12

### Module connector MS9-12-ARMV

- For connecting MS9 and MS12 components into one unit
- Possible to rotate a service unit component 90° to the connection axis

 **Note**

The larger mounting bracket should always be used on the module connector. The mounting bracket must be ordered separately.



### Operating and environmental conditions

Temperature of medium [°C]	-10 ... +60
Corrosion resistance class CRC <sup>1)</sup>	2

1) More information [www.festo.com/x/topic/crc](http://www.festo.com/x/topic/crc)

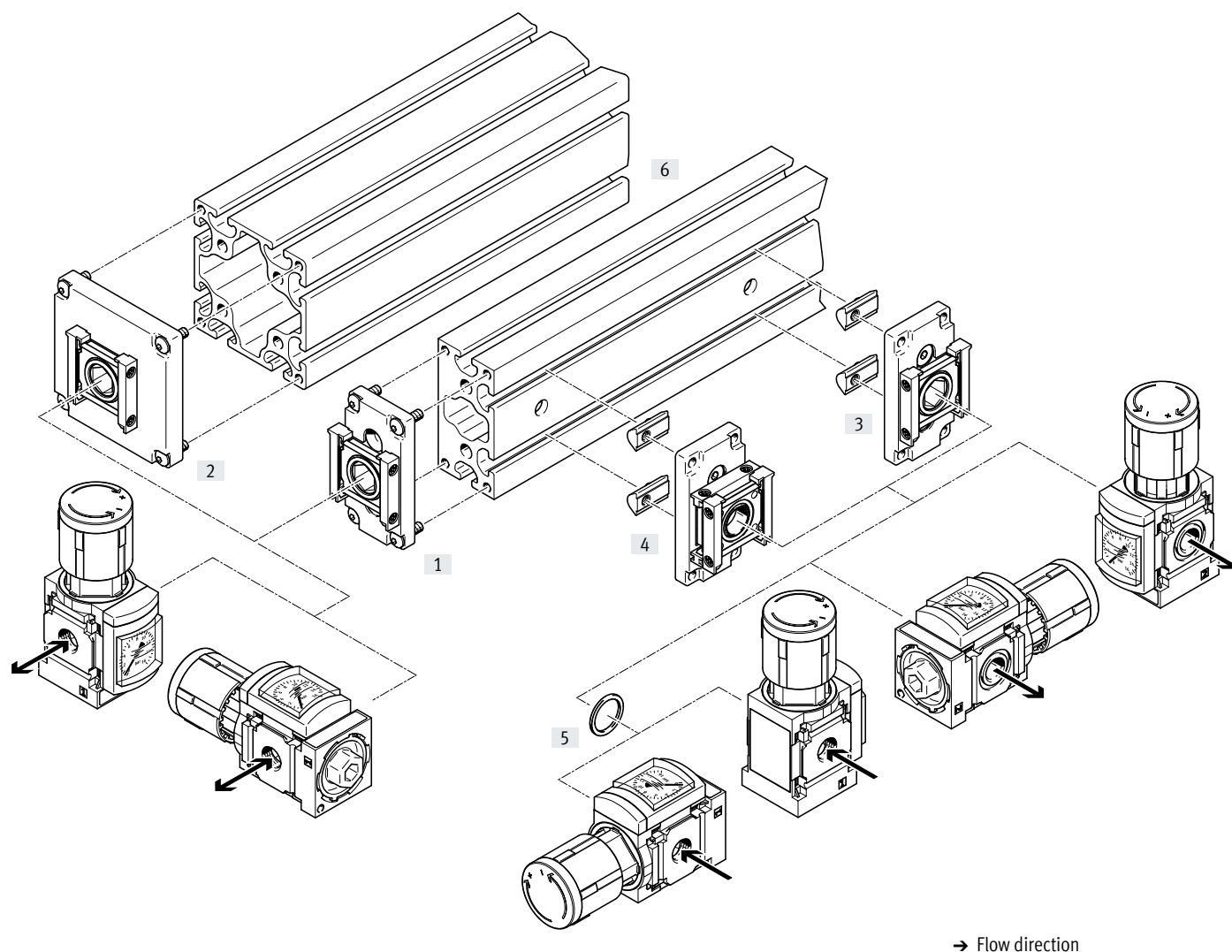
### Materials

Connecting plate	Die-cast aluminium
Module connector	Die-cast aluminium
Screws	Steel
Seals	NBR
Note on materials:	RoHS-compliant
LABS (PWIS) conformity	VDMA24364-B1/B2-L

### Dimensions and ordering data

Size	B1	B2	B3	B4	B5	Weight [g]	Part no.	Type
MS9/12	55	77	90	124	99	990	552953	MS9-12-ARMV

## Mounting components MS4, MS6



→ Flow direction

Mounting components		→ Page/Internet
[1]	Power supply module MS4/6-E-IPM-40-80	36
[2]	Power supply module MS4/6-E-IPM-80-80	37
[3]	Branching module MS4/6-A-IPM-80	38
[4]	Branching module MS4/6-A-RMV-IPM-80	39
[5]	Sealing ring MS4/6-NNR	40
[6]	Profile 40x80/80x80, closing plate, supply plate	On request

**Note**

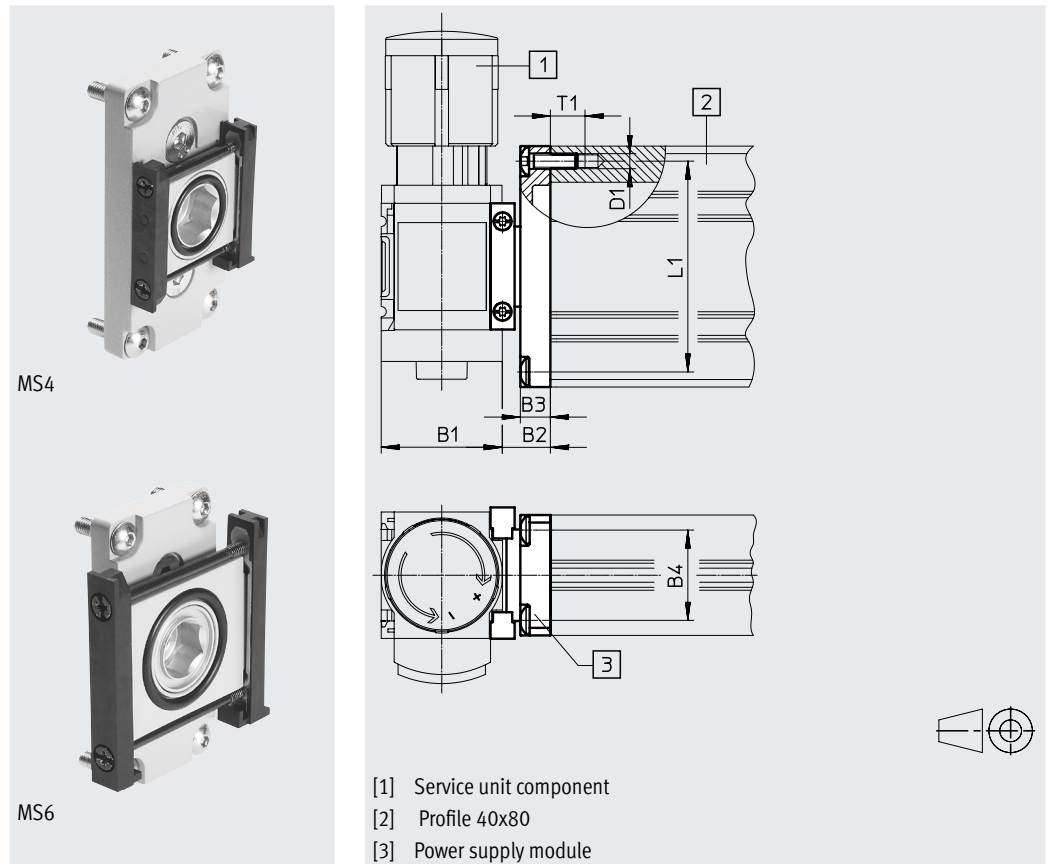
Additional mounting components are required for mounting a service unit combination → page 10

## Mounting components MS4, MS6

### Power supply module

#### MS4/6-E-IPM-40-80

- For mounting a service unit component on the end face of a profile of size 40x80
- Module connector can be rotated 90° for horizontal mounting of the service unit component



- [1] Service unit component  
 [2] Profile 40x80  
 [3] Power supply module

### Operating and environmental conditions

Temperature of medium [°C]	-10 ... +60
Corrosion resistance class CRC <sup>1)</sup>	2

1) More information [www.festo.com/x/topic/crc](http://www.festo.com/x/topic/crc)

### Materials

Connecting plate	Die-cast aluminium
Module connector	Die-cast aluminium
Hollow bolt	Die-cast aluminium
Screws	Steel
Seals	NBR
Note on materials:	RoHS-compliant
LABS (PWS) conformity	VDMA24364-B1/B2-L

### Dimensions and ordering data

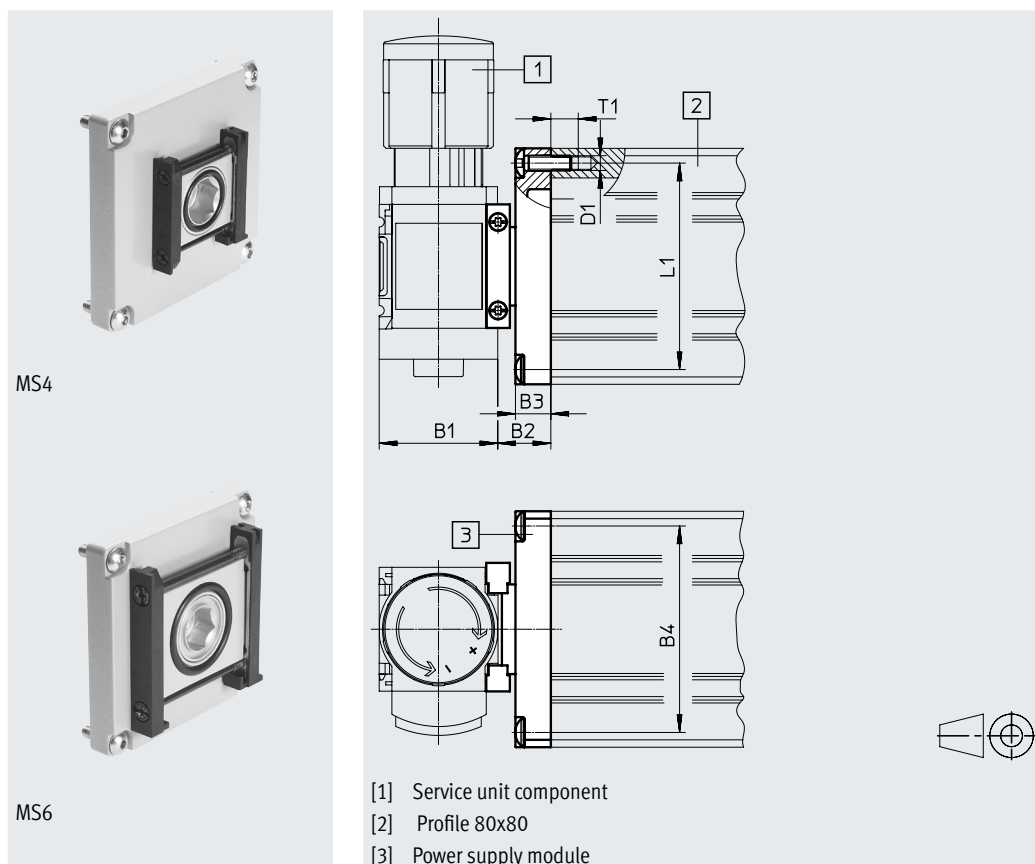
Size	B1	B2	B3	B4	D1	L1	T1	Weight [g]	Part no.	Type
MS4	40.2	16	10	30 ±0.2	M5	70 ±0.2	11.5	109	543494	MS4-E-IPM-40-80
MS6	62	16	10	30 ±0.2	M5	70 ±0.2	11.5	141	543496	MS6-E-IPM-40-80

## Mounting components MS4, MS6

### Power supply module

#### MS4/6-E-IPM-80-80

- For mounting a service unit component on the end face of a profile of size 80x80
- Module connector can be rotated 90° for horizontal mounting of the service unit component



### Operating and environmental conditions

Temperature of medium [°C]	-10 ... +60
Corrosion resistance class CRC <sup>1)</sup>	2

1) More information [www.festo.com/x/topic/crc](http://www.festo.com/x/topic/crc)

### Materials

Connecting plate	Die-cast aluminium
Module connector	Die-cast aluminium
Hollow bolt	Die-cast aluminium
Screws	Steel
Seals	NBR
Note on materials:	RoHS-compliant
LABS (PWIS) conformity	VDMA24364-B1/B2-L

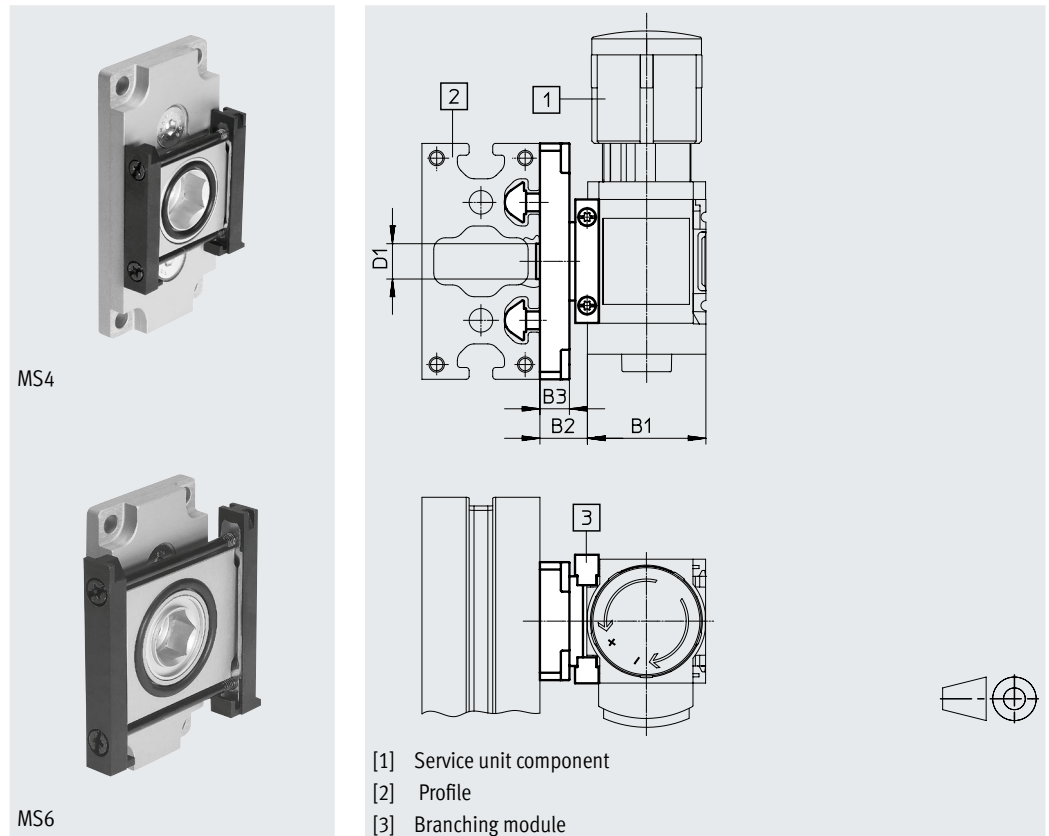
### Dimensions and ordering data

Size	B1	B2	B3	B4	D1	L1	T1	Weight [g]	Part no.	Type
MS4	40.2	18	12	70 ±0.2	M5	70 ±0.2	9.3	186	543495	MS4-E-IPM-80-80
MS6	62	18	12	70 ±0.2	M5	70 ±0.2	9.3	218	543497	MS6-E-IPM-80-80

## Mounting components MS4, MS6

### Branching module MS4/6-A-IPM-80

- For mounting a service unit component on the longitudinal side of a profile
- Module connector can be rotated 90° for horizontal mounting of the service unit component



### Operating and environmental conditions

Temperature of medium [°C]	-10 ... +60
Corrosion resistance class CRC <sup>1)</sup>	2

1) More information [www.festo.com/x/topic/crc](http://www.festo.com/x/topic/crc)

### Materials

Connecting plate	Die-cast aluminium
Module connector	Die-cast aluminium
Hollow bolt	Die-cast aluminium
Screws	Steel
Seals	NBR
Note on materials:	RoHS-compliant
LABS (PWIS) conformity	VDMA24364-B1/B2-L

### Dimensions and ordering data

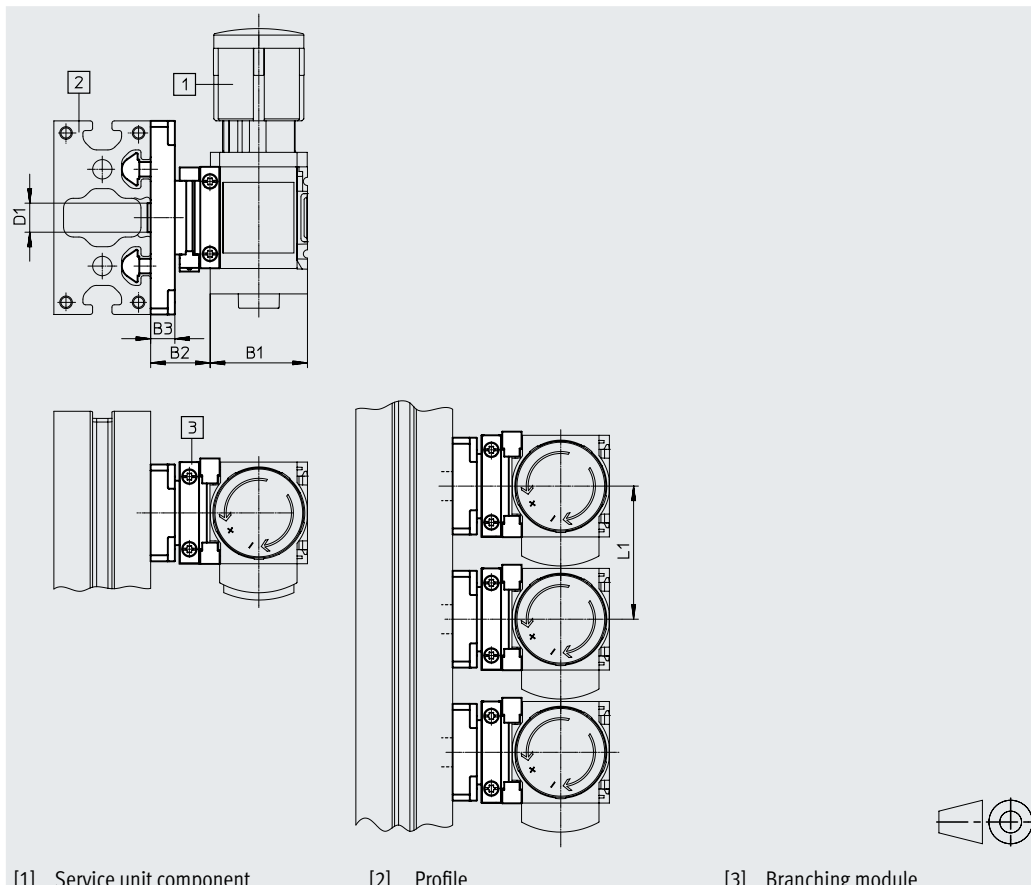
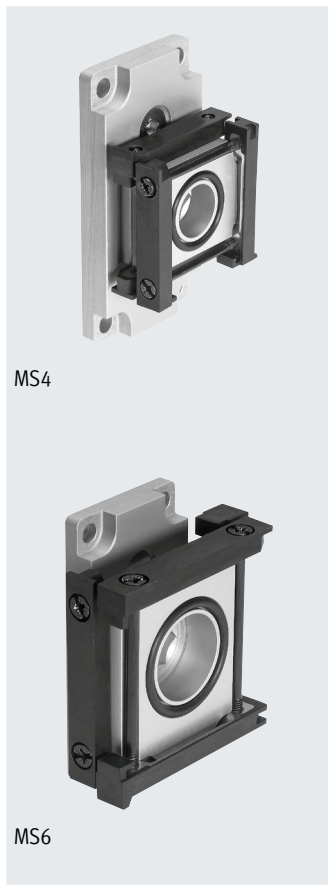
Size	B1	B2	B3	D1 ∅	Weight [g]	Part no.	Type
MS4	40.2	16	10	11.8 ±0.1	124	543498	MS4-A-IPM-80
MS6	62	16	10	11.8 ±0.1	156	543499	MS6-A-IPM-80

## Mounting components MS4, MS6

### Branching module

#### MS4/6-A-RMV-IPM-80

- For mounting a service unit component on the longitudinal side of a profile
- Suitable for block mounting (module connector fittings are accessible from above, allowing quick replacement of an individual component)
- Module connector can be rotated 90° for horizontal mounting of the service unit component



[1] Service unit component

[2] Profile

[3] Branching module

### Operating and environmental conditions

Temperature of medium	[°C]	-10 ... +60
Corrosion resistance class CRC <sup>1)</sup>		2

1) More information [www.festo.com/x/topic/crc](http://www.festo.com/x/topic/crc)

### Materials

Connecting plate	Die-cast aluminium
Module connector	Die-cast aluminium
Hollow bolt	Die-cast aluminium
Screws	Steel
Seals	NBR
Note on materials:	RoHS-compliant
LABS (PWIS) conformity	VDMA24364-B1/B2-L

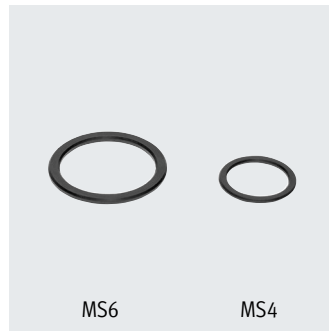
### Dimensions and ordering data

Size	B1	B2	B3	D1 ∅	L1 min.	Weight [g]	Part no.	Type
MS4	40.2	24.5	10	11.8 ±0.1	55	150	543500	MS4-A-RMV-IPM-80
MS6	62	27	10	11.8 ±0.1	77	236	543501	MS6-A-RMV-IPM-80

## Mounting components MS4, MS6

### Sealing ring MS4/6-NNR

- For sealing a branching module  
MS-A-IPM when used as a power supply module



### Operating and environmental conditions

Temperature of medium [°C]	-10 ... +60
Corrosion resistance class CRC <sup>1)</sup>	2

1) More information [www.festo.com/x/topic/crc](http://www.festo.com/x/topic/crc)

### Materials

Sealing ring	NBR
Note on materials:	RoHS-compliant
LABS (PWIS) conformity	VDMA24364-B1/B2-L

### Ordering data

Size	Part no.	Type
MS4	543492	MS4-NNR
MS6	543493	MS6-NNR

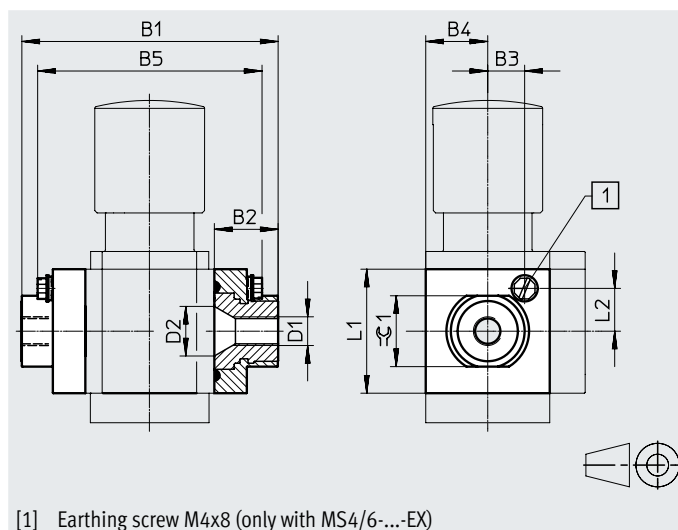


## Connecting plates MS4, MS6

### Connecting plate-SET MS4/6-AG...

(order code: AG...)

- Adapter for pneumatic connection
- MS6-AGE for implementing threaded connection G3/4



[1] Earthing screw M4x8 (only with MS4/6-...-EX)

Operating and environmental conditions		
Temperature of medium	[°C]	-10 ... +60
Corrosion resistance class CRC <sup>1)</sup>		2

1) More information [www.festo.com/x/topic/crc](http://www.festo.com/x/topic/crc)

Materials	
Connecting plate	Die-cast aluminium
Seals	NBR
Note on materials:	RoHS-compliant
LABS (PWIS) conformity	VDMA24364-B1/B2-L

Dimensions and ordering data													
Size	B1	B2	B3	B4	B5	D1	D2	L1	L2	±0.1	Weight [g]	Part no.	Type
MS4	83.4	21.5	12.5	21	72.5	G1/8	16.8	42	14.5	24	128	526068	MS4-AGA
						G1/4					21	526069	MS4-AGB
						G3/8					24	526070	MS4-AGC
MS6	115	26.5	20.5	31	98.3	G1/4	24	62	15.5	34	300	526080	MS6-AGB
						G3/8					34	526081	MS6-AGC
						G1/2					26	526082	MS6-AGD
						G3/4					34	526083	MS6-AGE
						G1					33.4	41	300

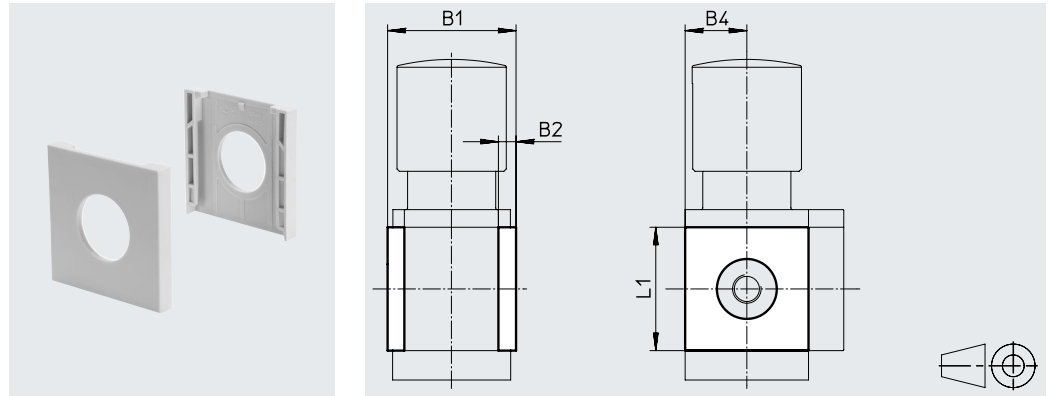
For use in potentially explosive areas in zones 2 and 22													
MS4	83.5	21.5	12.5	21	72.5	G1/8	16.8	42	14.5	24	128	541549	MS4-AGA-EX
						G1/4					21	541550	MS4-AGB-EX
						G3/8					24	541551	MS4-AGC-EX
MS6	115	26.5	20.5	31	98.3	G1/4	24	62	15.5	34	300	541538	MS6-AGB-EX
						G3/8					34	541539	MS6-AGC-EX
						G1/2					26	541540	MS6-AGD-EX
						G3/4					34	541541	MS6-AGE-EX

† Note: This product conforms to ISO 1179-1 and ISO 228-1.

## Connecting plates MS4, MS6

### Cover cap MS4/6-END

- Can be used to cover the sides of the housing for the first and last module if no connecting plates are used.



#### Materials

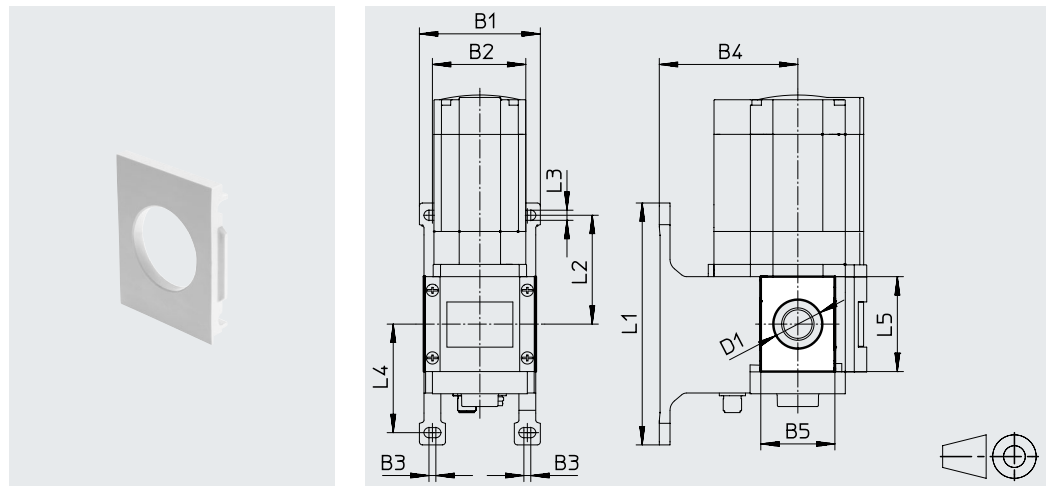
Housing	Reinforced PA
LABS (PWIS) conformity	VDMA24364-B1/B2-L

#### Dimensions and ordering data

Size	B1	B2	B4	L1	Part no.	Type
MS4	43.6	6	21	42	538779	MS4-END
MS6	67	8	31	62	538780	MS6-END

### Mounting plate MS4/6-AEND

- In combination with mounting bracket MS-WP or MS-WPB for wall mounting an individual component



#### Materials

Plate	Reinforced PA
Note on materials:	RoHS-compliant
LABS (PWIS) conformity	VDMA24364-B1/B2-L

#### Dimensions and ordering data

Size	B1	B2	B3	B4		B5	D1 ∅	L1	L2	L3	L4	L5	CRC <sup>1)</sup>	Weight [g]	Part no.	Type
				WP	WPB											
MS4	55.2	40.2	4	44	66	30.4	20.3	106	46.5	5.6	46.7	42	2	4	542966	MS4-AEND
MS6	79	62	4.5	54	90.5	48.4	32	158	71	6.6	71	62	2	17	535408	MS6-AEND1

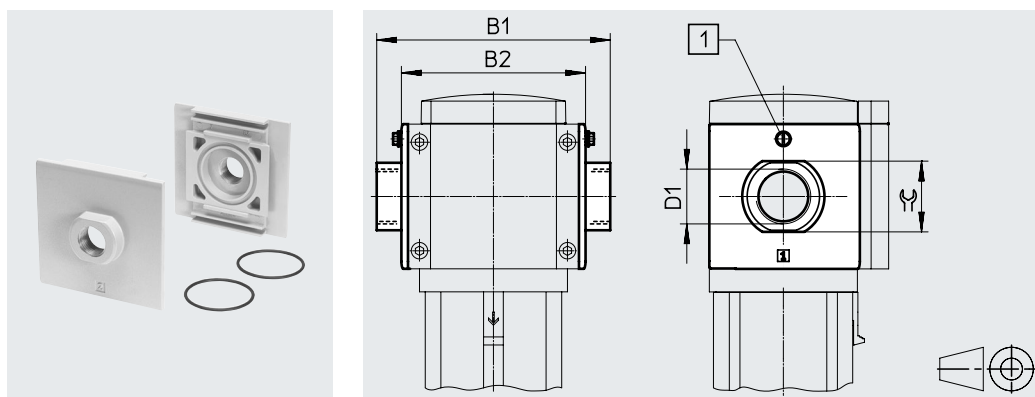
1) More information [www.festo.com/x/topic/crc](http://www.festo.com/x/topic/crc)

## Connecting plates MS9

### Connecting plate-SET MS9-AG.../ MS9-AQ...

(order code: AG.../AQ...)

- Adapter for pneumatic connection



#### Operating and environmental conditions

Temperature of medium	[°C]	-10 ... +60
Corrosion resistance class CRC <sup>1)</sup>		2

1) More information [www.festo.com/x/topic/crc](http://www.festo.com/x/topic/crc)

#### Materials

Connecting plate	Die-cast aluminium
Hollow bolt	Die-cast aluminium
Seals	NBR
Note on materials:	RoHS-compliant
LABS (PWIS) conformity	VDMA24364-B1/B2-L

#### Dimensions and ordering data

Size	B1	B2	D1	±G	Weight [g]	Part no.	Type
<b>G thread</b>							
MS9	132	112	G1/2	30	300	552954	MS9-AGD
	132	112	G3/4	36	300	552955	MS9-AGE
	142	112	G1	41	300	552956	MS9-AGF
	162	112	G1 1/4	50	400	552957	MS9-AGG
	176	112	G1 1/2	55	400	552958	MS9-AGH
<b>NPT thread</b>							
MS9	132	112	1/2 NPT	30	300	552959	MS9-AQR
	132	112	3/4 NPT	36	300	552960	MS9-AQS
	142	112	1 NPT	41	300	552961	MS9-AQT
	162	112	1 1/4 NPT	50	400	552962	MS9-AQU
	176	112	1 1/2 NPT	55	400	552963	MS9-AQV

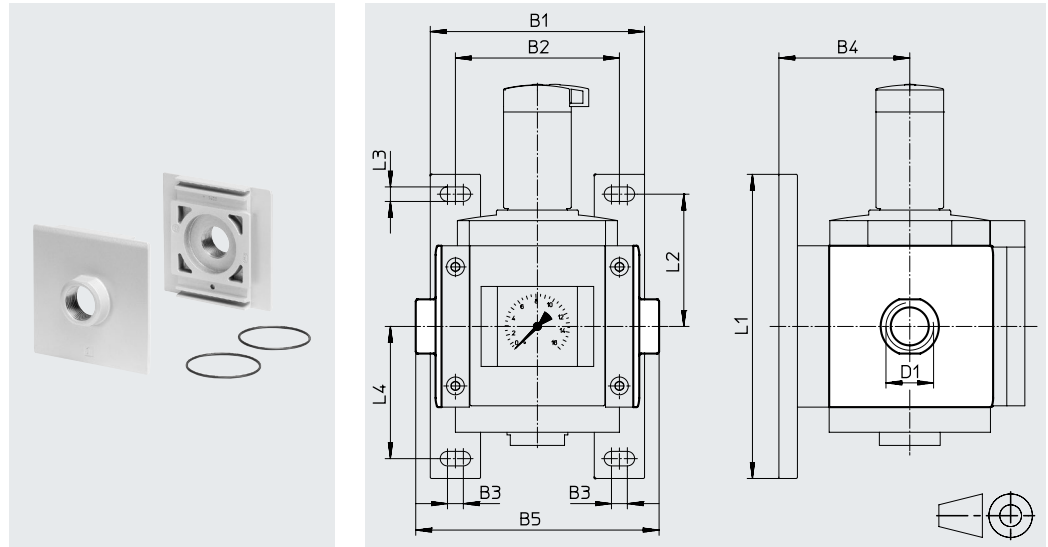
• Note: This product conforms to ISO 1179-1 and ISO 228-1.

## Connecting plates MS12

### Connecting plate-SET MS12-AG...

(order code: AG...)

- Adapter for pneumatic connection



#### Operating and environmental conditions

Operating medium	Compressed air to ISO 8573-1:2010 [7:4:4]
Temperature of medium [°C]	-10 ... +60
Storage temperature [°C]	-10 ... +60
Corrosion resistance class CRC <sup>1)</sup>	2

1) More information [www.festo.com/x/topic/crc](http://www.festo.com/x/topic/crc)

#### Materials

Connecting plate	Die-cast aluminium
Seals	NBR
Note on materials:	RoHS-compliant
LABS (PWIS) conformity	VDMA24364-B1/B2-L

#### Dimensions and ordering data

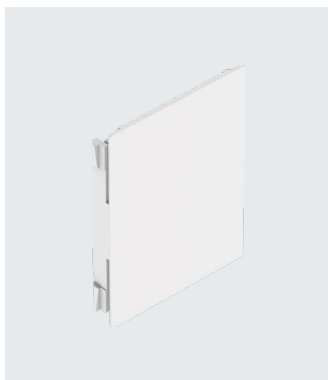
Size	B1	B2	B3	B4	B5	D1	L1	L2	L3	L4	Weight [g]	Part no.	Type
MS12	162	124	12	99	184	G1	230	100	11	100	1300	537135	MS12-AGF
					184	G1 1/4						537136	MS12-AGG
					184	G1 1/2						537137	MS12-AGH
					196	G2						537138	MS12-AGI

† Note: This product conforms to ISO 1179-1 and ISO 228-1.

## Covering kits MS4, MS6/MS9/MS12

### Covering kit MS...-RB-10

- For covering the rear of the housing



#### Operating and environmental conditions

Temperature of medium	[°C]	-10 ... +60
Storage temperature	[°C]	-10 ... +60
Corrosion resistance class CRC <sup>1)</sup>		2

1) More information [www.festo.com/x/topic/crc](http://www.festo.com/x/topic/crc)

#### Materials

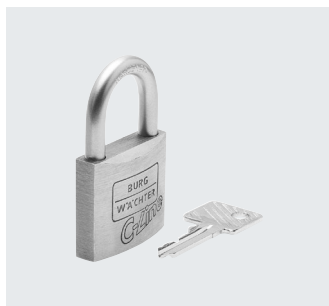
Covering	PA
Note on materials:	RoHS-compliant
LABS (PWIS) conformity	VDMA24364-B1/B2-L

#### Ordering data

Size	Weight [g]	Part no.	Type
MS4	60	<b>8147574</b>	<b>MS4-RB-10</b>
MS6	72	<b>8147575</b>	<b>MS6-RB-10</b>
MS9	170	<b>8147576</b>	<b>MS9-RB-10</b>
MS12	300	<b>8147577</b>	<b>MS12-RB-10</b>

## Safety components MS4, MS6/MS9/MS12

### Padlock LRVS-D



#### Operating and environmental conditions

Ambient temperature	[°C]	-20 ... +60
Temperature of medium	[°C]	-20 ... +60
Corrosion resistance class CRC <sup>1)</sup>		2

1) More information [www.festo.com/x/topic/crc](http://www.festo.com/x/topic/crc)

#### Materials

Note on materials:	RoHS-compliant
LABS (PWIS) conformity	VDMA24364-B1/B2-L

#### Ordering data

Size	Weight [g]	Part no.	Type
MS4, MS6, MS9, MS12	120	<b>193786</b>	<b>LRVS-D</b>