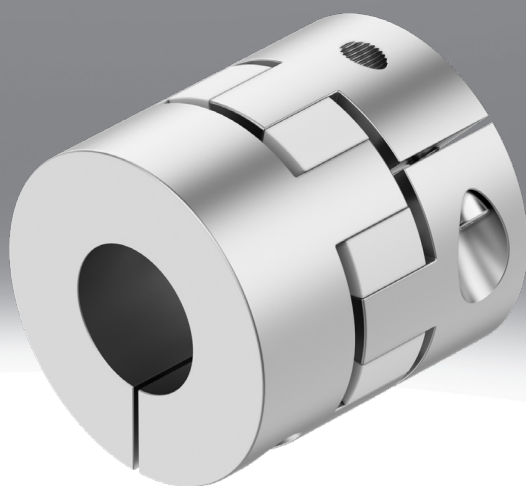


Clutch EAMC

FESTO



Characteristics

Coupling type

[L] Annular gear coupling



Three-piece coupling with clamping hub, suitable for force-locked and backlash-free transmission of medium and high torques between electric motors and axes.

[H] Coupling hub



Coupling hub and elastomer spider are suitable for the force-locked and backlash-free transmission of small and medium torques between electric motors and axes with a coupling cam interface.

Type code

001	Series
EAMC	Coupling

002	Coupling type
	Annular gear coupling
H	Coupling hub

003	Collar diameter [mm]
10	10
15	15
16	16
19	19
20	20
25	25
30	30
35	35
40	40
42	42
56	56
65	65
67	67

004	Length
5	5 mm
7	7 mm
10	10 mm
13	13 mm
20	20 mm
30	30 mm
32	32 mm
35	35 mm
50	50 mm
58	58 mm
62	62 mm
66	66 mm
90	90 mm

005	Interface elastomer spider
	Not relevant
GB5	GB5
GB8	GB8
GB16	GB16

006	Inside diameter 1
3	3 mm
4	4 mm
5	5 mm
6	6 mm
6.35	6.35 mm
8	8 mm
9	9 mm
10	10 mm
11	11 mm
12	12 mm
14	14 mm
15	15 mm
16	16 mm
19	19 mm
20	20 mm
22	22 mm
24	24 mm
25	25 mm
XX	Closing

007	Inside diameter 2
	Not relevant
5	5 mm
6	6 mm
6.35	6.35 mm
8	8 mm
9	9 mm
10	10 mm
11	11 mm
12	12 mm
14	14 mm
15	15 mm
16	16 mm
19	19 mm
20	20 mm
22	22 mm
24	24 mm
25	25 mm
32	32 mm

008	Hardness of elastomer insert
	Standard
U	64 Sh D

Datasheet

General technical data EAMC-16 ...20

Size	16				19			20		
Nominal length	20						30			
Inside diameter 1	3 mm	4 mm	5 mm	6 mm	5 mm			6 mm		
Mass moment of inertia	0.28 kgmm ²				0.38 kgmm ²			1.06 kgmm ²		
Transmittable torque	0.2 Nm	0.7 Nm	1.1 Nm	1.6 Nm	1.1 Nm			2.2 Nm	2.3 Nm	
Max. rotational speed	10,000 rpm						9,000 rpm			
Mounting position	optional									
Product weight	8 g				9 g			20 g		

General technical data – EAMC-30

Size	30						35			
Nominal length	32						35			
Inside diameter 1	5 mm	6 mm	6.35 mm	8 mm	9 mm	10 mm	6 mm	6.35 mm	8 mm	12 mm
Mass moment of inertia	5.87 kgmm ²						6.1 kgmm ²			
Transmittable torque	3.5 Nm	6.5 Nm		12.5 Nm			7.5 Nm		8.2 Nm	9.5 Nm
Max. rotational speed	8,000 rpm									
Mounting position	optional									
Product weight	48 g	45 g, 48 g		48 g			45 g			

General technical data EAMC-40

Size	40									
Nominal length	66									
Inside diameter 1	10 mm		11 mm		12 mm		15 mm		20 mm	
Mass moment of inertia	42.3 kgmm ²									
Transmittable torque	21 Nm									
Max. rotational speed	6,500 rpm									
Mounting position	optional									
Product weight	139 g									

General technical data EAMC-42

Size	42											
Nominal length	50											
Inside diameter 1	8 mm		9 mm	10 mm		11 mm		12 mm				
Inside diameter 2	16 mm	19 mm	12 mm		19 mm	12 mm	16 mm	12 mm	14 mm	16 mm	19 mm	20 mm
Mass moment of inertia	34.8 kgmm ²											
Transmittable torque ¹⁾	17 Nm				17 Nm; 21 Nm	21 Nm	17 Nm	17 Nm; 21 Nm				
Max. rotational speed	6,000 rpm											
Mounting position	optional											
Product weight	148 g	140 g	146 g	145 g	147 g	138 g, 146 g	150 g	138 g	142 g, 143 g	140 g, 141 g	138 g	135 g, 136 g

1) The values apply to: EAMC-...; EAMC-...-U

General technical data EAMC-42

Size	42										
Nominal length	50										66
Inside diameter 1	12 mm		14 mm	16 mm				19 mm	11 mm		
Inside diameter 2	22 mm	24 mm	16 mm			19 mm	20 mm	19 mm	12 mm		
Mass moment of inertia	34.8 kgmm ²										45.5 kgmm ²
Transmittable torque ¹⁾	21 Nm	17 Nm	21 Nm								17 Nm
Max. rotational speed	6,000 rpm										
Mounting position	optional										
Product weight	133 g	130 g	147 g	145 g	141 g	140 g	137 g	166 g			

1) The values apply to: EAMC-...; EAMC-...-U

Datasheet

General technical data EAMC-56

Size	56														
Nominal length	58														
Inside diameter 1	16 mm			19 mm					20 mm			22 mm		24 mm	25 mm
Inside diameter 2	22 mm	24 mm	19 mm	20 mm	22 mm	24 mm	25 mm	32 mm	22 mm	25 mm	24 mm	25 mm			
Mass moment of inertia	128 kgmm ²														
Transmittable torque	60 Nm							72 Nm	60 Nm	75 Nm	60 Nm			75 Nm	
Max. rotational speed	5,500 rpm														
Mounting position	optional														
Product weight	298 g	294 g	285 g	284 g	283 g	277 g	275 g	271 g	281 g	275 g	274 g	272 g	265 g	266 g	

General technical data EAMC-65... 67

Size	65			67		
Nominal length	90			62		
Inside diameter 1	15 mm		25 mm		24 mm	
Inside diameter 2	24 mm		32 mm		24 mm	
Mass moment of inertia	417 kgmm ²			280 kgmm ²		
Transmittable torque	80 Nm		92 Nm		143 Nm	
Max. rotational speed	4,500 rpm					
Mounting position	optional					
Product weight	535 g			436 g		435 g
						428 g

General technical data EAMC-H-10... 25

Size	10	15			15/25		
Nominal length	9.5	12.4			15.4		
Inside diameter 1	5 mm		6 mm	6.35 mm	8 mm	9 mm	11 mm
Mass moment of inertia	0.022 kgmm ²		0.191 kgmm ²		1.04 kgmm ²		
Transmittable torque	0.6 Nm		1.5 Nm		2 Nm		
Max. rotational speed	10,000 rpm						
Mounting position	optional						
Product weight	2 g	5 g			4 g	13 g	12 g
						11 g	

General technical data EAMC-H-30... 35

Size	30							30/35
Nominal length	20.7							23.4
Inside diameter 1	6.35 mm	8 mm	9 mm	10 mm	11 mm	12 mm	14 mm	
Mass moment of inertia	3.2 kgmm ²							5.8 kgmm ²
Transmittable torque	6 Nm	7.5 Nm	8.5 Nm	9.5 Nm	10.5 Nm	11.5 Nm	13.5 Nm	
Max. rotational speed	8,000 rpm							
Mounting position	optional							
Product weight	26 g		25 g			24 g	23 g	
						31 g		

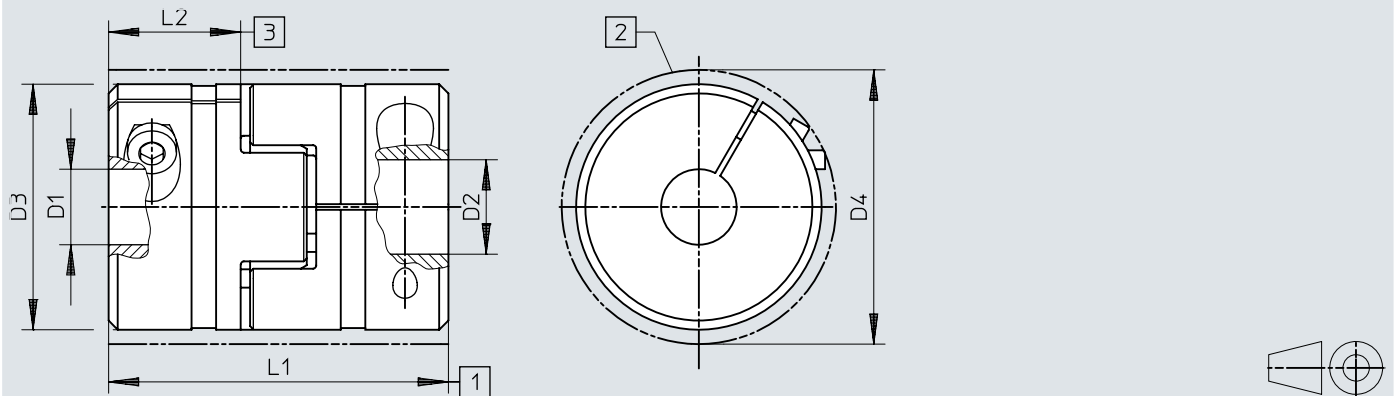
Operating and environmental conditions

Ambient temperature	-25 ... 60°C
Storage temperature	-25 ... 60°C
Relative air humidity	0 - 95%
LABS (PWIS) conformity	VDMA24364-B2-L
Note on materials	RoHS-compliant

Dimensions

Dimensions – Gear coupling EAMC-16 ... 30

Download CAD data www.festo.com



- [1] Nominal length with axial offset compensation
- [2] Min. installation \varnothing (interfering contour of the clamping screw)
- [3] Insertion depth

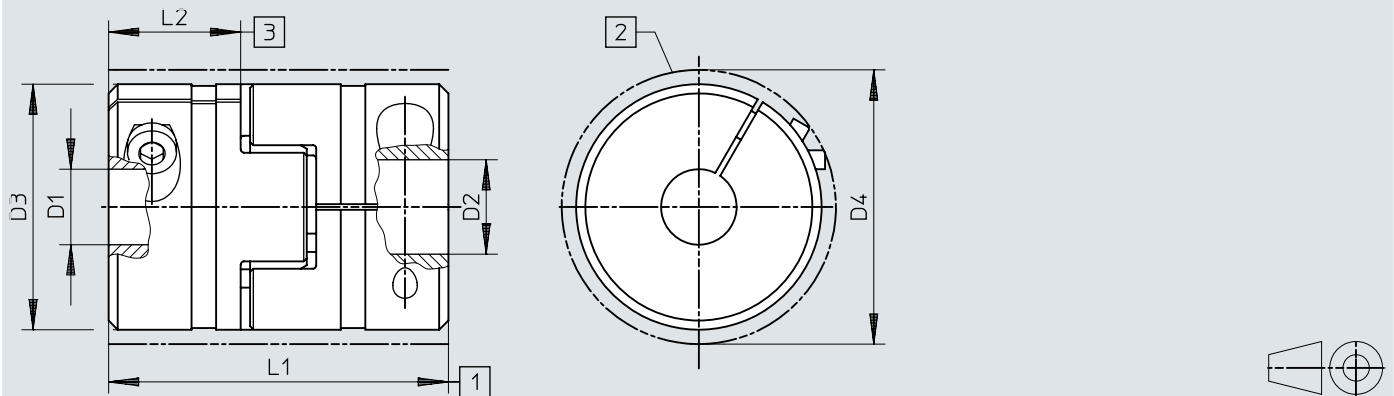
Dimensions

	D1 ∅ H7	D2 ∅ H7	D3 ∅	D4 ∅	L1	L2
EAMC-16-20-3-5	3	5	16	17	20±1	6,5
EAMC-16-20-3-6	3	6	16	17	20±1	6,5
EAMC-16-20-3-8	3	8	16	17	20±1	6,5
EAMC-16-20-4-5	4	5	16	17	20±1	6,5
EAMC-16-20-4-6	4	6	16	17	20±1	6,5
EAMC-16-20-4-8	4	8	16	17	20±1	6,5
EAMC-16-20-5-5	5	5	16	17	20±1	6,5
EAMC-16-20-5-6	5	6	16	17	20±1	6,5
EAMC-16-20-5-8	5	8	16	17	20±1	6,5
EAMC-16-20-6-6	6	6	16	17	20±1	6,5
EAMC-16-20-6-8	6	8	16	17	20±1	6,5
EAMC-19-20-5-9	5	9	19	19	20±1	6,5
EAMC-20-30-5-6	5	6	20	24	30	10
EAMC-20-30-6-6	6	6	20	24	30	10
EAMC-20-30-6-10	6	10	20	24	30	10
EAMC-30-32-5-6	5	6	30	30	32±1	10,3
EAMC-30-32-5-8	5	8	30	30	32±1	10,3
EAMC-30-32-6-6	6	6	30	30	32±1	10,3
EAMC-30-32-6-6.35	6	6,35	30	30	32±1	10,3
EAMC-30-32-6-8	6	8	30	30	32±1	10,3
EAMC-30-32-6-9	6	9	30	30	32±1	10,3
EAMC-30-32-6-10	6	10	30	30	32±1	10,3
EAMC-30-32-6-11	6	11	30	30	32±1	10,3
EAMC-30-32-6-12	6	12	30	30	32±1	10,3
EAMC-30-32-6-14	6	14	30	31,4	32±1	10,3
EAMC-30-32-6.35-8	6,35	8	30	30	32±1	10,3
EAMC-30-32-6.35-10	6,35	10	30	30	32±1	10,3
EAMC-30-32-8-8	8	8	30	30	32±1	10,3
EAMC-30-32-8-9	8	9	30	30	32±1	10,3
EAMC-30-32-8-10	8	10	30	30	32±1	10,3
EAMC-30-32-8-11	8	11	30	30	32±1	10,3
EAMC-30-32-8-12	8	12	30	30	32±1	10,3
EAMC-30-32-8-14	8	14	30	31,4	32±1	10,3
EAMC-30-32-9-10	9	10	30	30	32±1	10,3
EAMC-30-32-10-10	10	10	30	30	32±1	10,3
EAMC-30-32-10-11	10	11	30	30	32±1	10,3
EAMC-30-32-10-14	10	14	30	31,4	32±1	10,3
EAMC-30-35-6-8	6	8	30	31,4	35±0,7	11
EAMC-30-35-6-10	6	10	30	31,4	35±0,7	11
EAMC-30-35-6-11	6	11	30	31,4	35±0,7	11
EAMC-30-35-6.35-8	6,35	8	30	31,4	35±0,7	11
EAMC-30-35-6.35-12	6,35	12	30	31,4	35±0,7	11
EAMC-30-35-8-8	8	8	30	31,4	35±0,7	11
EAMC-30-35-8-9	8	9	30	31,4	35±0,7	11
EAMC-30-35-8-10	8	10	30	31,4	35±0,7	11
EAMC-30-35-8-11	8	11	30	31,4	35±0,7	11
EAMC-30-35-8-12	8	12	30	31,4	35±0,7	11
EAMC-30-35-8-14	8	14	30	31,4	35±0,7	11
EAMC-30-35-12-12	12	12	30	31,4	35±0,7	11

Dimensions

Dimensions – Gear coupling EAMC-40 ... 67

Download CAD data www.festo.com



- [1] Nominal length with axial offset compensation
- [2] Min. installation \varnothing (interfering contour of the clamping screw)
- [3] Insertion depth

Dimensions

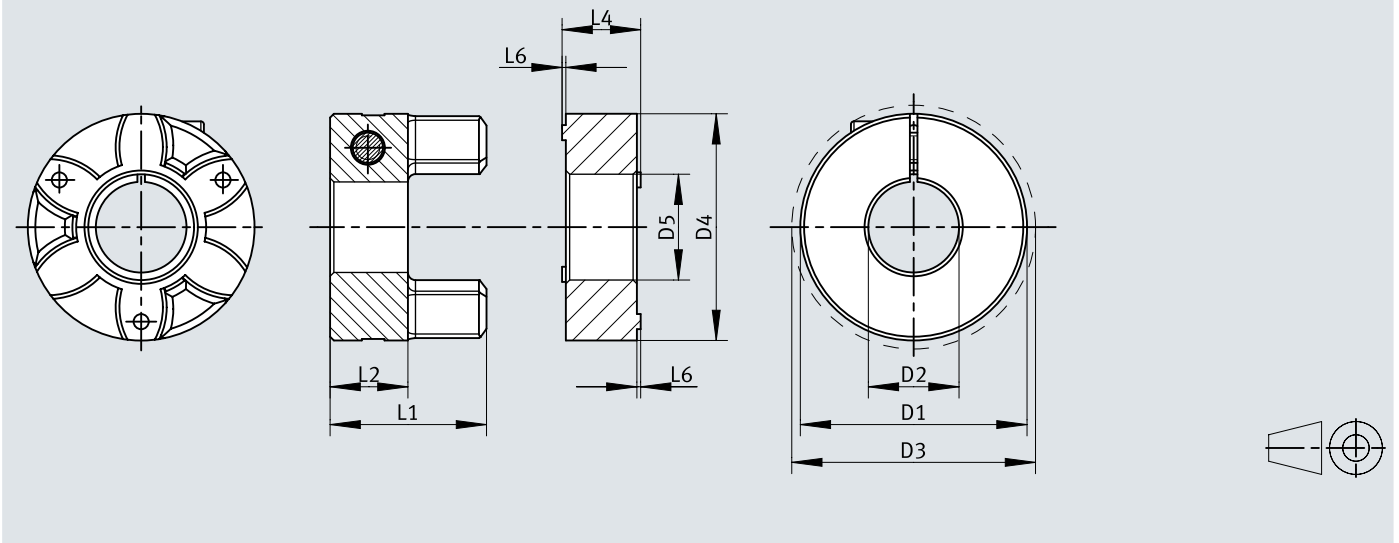
	D1 ∅ H7	D2 ∅ H7	D3 ∅	D4 ∅	L1	L2
EAMC-40-66-10-12	10	12	40	45,8	66±0,85	25
EAMC-40-66-11-11	11	11	40	45,8	66±0,85	25
EAMC-40-66-11-12	11	12	40	45,8	66±0,85	25
EAMC-40-66-11-14	11	14	40	45,8	66±0,85	25
EAMC-40-66-11-15	11	15	40	45,8	66±0,85	25
EAMC-40-66-12-14	12	14	40	45,8	66±0,85	25
EAMC-40-66-12-15	12	15	40	45,8	66±0,85	25
EAMC-40-66-12-20	12	20	40	45,8	66±0,85	25
EAMC-40-66-15-16	15	16	40	45,8	66±0,85	25
EAMC-40-66-15-19	15	19	40	45,8	66±0,85	25
EAMC-40-66-15-20	15	20	40	45,8	66±0,85	25
EAMC-40-66-15-22	15	22	40	45,8	66±0,85	25
EAMC-40-66-20-24	20	24	40	45,8	66±0,85	25
EAMC-40-66-XX-15	XX ¹⁾	15	40	45,8	66±0,85	25
EAMC-40-66-XX-20	XX ¹⁾	20	40	45,8	66±0,85	25
EAMC-42-50-8-16	8	16	42	44,5	50±2	17
EAMC-42-50-8-19	8	19	42	44,5	50±2	17
EAMC-42-50-9-12	9	12	42	44,5	50±2	17
EAMC-42-50-10-12	10	12	42	44,5	50±2	17
EAMC-42-50-10-19	10	19	42	44,5	50±2	17
EAMC-42-50-11-12	11	12	42	44,5	50±2	17
EAMC-42-50-11-16-U	11	16	42	44,5	50±2	17
EAMC-42-50-12-12	12	12	42	44,5	50±2	17
EAMC-42-50-12-14	12	14	42	44,5	50±2	17
EAMC-42-50-12-14-U	12	14	42	44,5	50±2	17
EAMC-42-50-12-16	12	16	42	44,5	50±2	17
EAMC-42-50-12-16-U	12	16	42	44,5	50±2	17
EAMC-42-50-12-19	12	19	42	44,5	50±2	17
EAMC-42-50-12-20	12	20	42	44,5	50±2	17
EAMC-42-50-12-24	12	24	42	44,5	50±2	17
EAMC-42-50-14-16-U	14	16	42	44,5	50±2	17
EAMC-42-50-16-16-U	16	16	42	44,5	50±2	17
EAMC-42-50-16-19-U	16	19	42	44,5	50±2	17
EAMC-42-50-16-20-U	16	20	42	44,5	50±2	17
EAMC-42-50-19-19-U	19	19	42	44,5	50±2	17
EAMC-42-66-11-12	11	12	42	44,5	66±2	25
EAMC-56-58-16-22	16	22	56	57	58±2	19,9
EAMC-56-58-16-24	16	24	56	57	58±2	19,9
EAMC-56-58-19-19	19	19	56	57	58±2	19,9
EAMC-56-58-19-20	19	20	56	57	58±2	19,9
EAMC-56-58-19-22	19	22	56	57	58±2	19,9
EAMC-56-58-19-24	19	24	56	57	58±2	19,9
EAMC-56-58-19-25	19	25	56	57	58±2	19,9
EAMC-56-58-19-32-U	19	32	56	57	58±2	19,9
EAMC-56-58-20-22	20	22	56	57	58±2	19,9
EAMC-56-58-20-25-U	20	25	56	57	58±2	19,9
EAMC-56-58-22-24	22	24	56	57	58±2	19,9
EAMC-56-58-22-25	22	25	56	57	58±2	19,9
EAMC-56-58-24-25	24	25	56	57	58±2	19,9
EAMC-56-58-25-25-U	25	25	56	57	58±2	19,9
EAMC-65-90-15-24	15	24	65	72,6	90±1,1	35
EAMC-65-90-25-32	25	32	65	72,6	90±1,1	35
EAMC-65-90-XX-25	XX ²⁾	25	65	72,6	90±1,1	35
EAMC-67-62-24-24	24	24	66,5	68	62±2	21,25
EAMC-67-62-24-25	24	25	66,5	68	62±2	21,25
EAMC-67-62-24-32	24	32	66,5	68	62±2	21,25

1) Hub pre-drilled to ∅ 5 mm. Drilled hole max. 20 mm

2) Hub pre-drilled to ∅ 9,5 mm. Drilled hole max. 38 mm

Dimensions

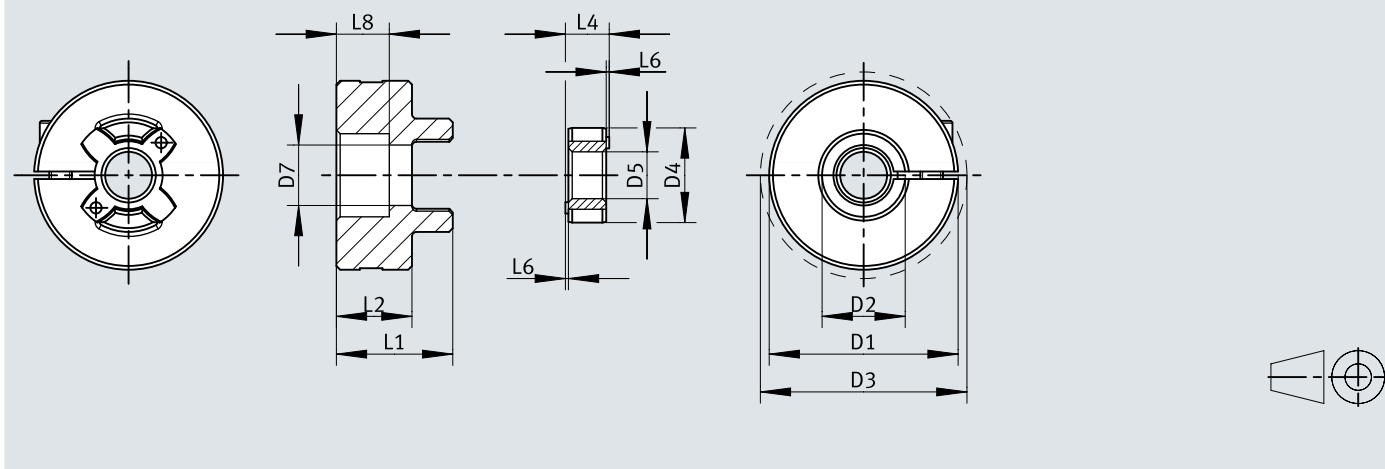
Dimensions – Coupling hub EAMC-H-10/-15/-30

Download CAD data www.festo.com

	D1 ∅ h9	D2 ∅ H7	D3 ∅	D4 ∅	D5	L1	L2	L4	L6
EAMC-H-10-5-GB5-5	10,8	5	12,5	10	–	9,5	5	4,6	0,3
EAMC-H-15-7-GB8-5	17	5	19,4	15	6,2	12,4	7	5,8	0,4
EAMC-H-15-7-GB8-6	17	6	19,4	15	6,2	12,4	7	5,8	0,4
EAMC-H-15-7-GB8-6.35	17	6,35	19,4	15	6,2	12,4	7	5,8	0,4
EAMC-H-15-7-GB8-8	17	8	19,4	15	6,2	12,4	7	5,8	0,4
EAMC-H-30-10-GB16-6.35	30	6,35	32,9	30	14	20,7	10,3	10,4	0,5
EAMC-H-30-10-GB16-8	30	8	32,9	30	14	20,7	10,3	10,4	0,5
EAMC-H-30-10-GB16-9	30	9	32,9	30	14	20,7	10,3	10,4	0,5
EAMC-H-30-10-GB16-10	30	10	32,9	30	14	20,7	10,3	10,4	0,5
EAMC-H-30-10-GB16-11	30	11	32,9	30	14	20,7	10,3	10,4	0,5
EAMC-H-30-10-GB16-12	30	12	32,9	30	14	20,7	10,3	10,4	0,5
EAMC-H-30-10-GB16-14	30	14	32,9	30	14	20,7	10,3	10,4	0,5


Dimensions

Dimensions – Coupling hub EAMC-H-25/-35


Download CAD data www.festo.com

	D1 ∅ h9	D2 ∅ H7	D3 ∅	D4 ∅	D5	D7	L1	L2	L4	L6	L8
EAMC-H-25-10-GB8-9	25	9	27,6	25	6,2	–	15,4	10	5,8	0,4	–
EAMC-H-25-10-GB8-11	25	11	27,6	25	6,2	8	15,4	10	5,8	0,4	7
EAMC-H-25-10-GB8-14	25	14	27,6	25	6,2	8	15,4	10	5,8	0,4	7
EAMC-H-35-13-GB16-19	35	19	37,1	35	14	13	23,4	13	10,4	0,5	12


Ordering data

Gear coupling EAMC								
	Size	Nominal length	Inside diameter 1	Part no.	Type			
	16	20 mm	3 mm	562672	EAMC-16-20-3-5			
				2310368	EAMC-16-20-3-8			
				562671	EAMC-16-20-3-6			
			4 mm	562674	EAMC-16-20-4-5			
				562675	EAMC-16-20-4-8			
				562673	EAMC-16-20-4-6			
			5 mm	562677	EAMC-16-20-5-8			
				543419	EAMC-16-20-5-6			
				562676	EAMC-16-20-5-5			
			6 mm	543420	EAMC-16-20-6-6			
				1232854	EAMC-16-20-6-8			
			19	30 mm	5 mm	8126386	EAMC-19-20-5-9	
			20		6 mm	558902	EAMC-20-30-5-6	
			30	30	32 mm	5 mm	1451964	EAMC-20-30-6-10
							558901	EAMC-20-30-6-6
						6 mm	561333	EAMC-30-32-5-6
							562678	EAMC-30-32-5-8
							551003	EAMC-30-32-6-9
	551002	EAMC-30-32-6-6.35						
	533708	EAMC-30-32-6-8						
	1233256	EAMC-30-32-6-14						
	8099435	EAMC-30-32-6-12						
	558312	EAMC-30-32-6-6						
	562681	EAMC-30-32-6-10						
	3187577	EAMC-30-32-6-11						
	6.35 mm	562679				EAMC-30-32-6.35-10		
		543421				EAMC-30-32-6.35-8		
	8 mm	551004				EAMC-30-32-8-11		
		8115760				EAMC-30-32-8-12		
		543422				EAMC-30-32-8-8		
		562682				EAMC-30-32-8-14		
		543423				EAMC-30-32-8-9		
		558029				EAMC-30-32-8-10		
	9 mm	562680				EAMC-30-32-9-10		
	10 mm	562683				EAMC-30-32-10-14		
		2310372				EAMC-30-32-10-10		
		565008				EAMC-30-32-10-11		
	35 mm	35 mm				6 mm	123041	EAMC-30-35-6-8
							1453062	EAMC-30-35-6-10
							123843	EAMC-30-35-6-11
						6.35 mm	530088	EAMC-30-35-6.35-8
							550995	EAMC-30-35-6.35-12
8 mm						123043	EAMC-30-35-8-12	
						123044	EAMC-30-35-8-8	
						557390	EAMC-30-35-8-9	
						123050	EAMC-30-35-8-10	
						123042	EAMC-30-35-8-11	
						1453063	EAMC-30-35-8-14	
12 mm						123052	EAMC-30-35-12-12	
40	40	66 mm	10 mm	1452794	EAMC-40-66-10-12			
			11 mm	530090	EAMC-40-66-11-11			
				1452798	EAMC-40-66-11-14			
				525864	EAMC-40-66-11-12			
			550998	EAMC-40-66-11-15				
			12 mm	123851	EAMC-40-66-12-20			

Ordering data

Gear coupling EAMC							
	Size	Nominal length	Inside diameter 1	Part no.	Type		
	40	66 mm	12 mm	1452803	EAMC-40-66-12-14		
				123850	EAMC-40-66-12-15		
				123845	EAMC-40-66-15-20		
			15 mm	3307627	EAMC-40-66-15-22		
				123846	EAMC-40-66-15-16		
				123844	EAMC-40-66-15-19		
				20 mm	176034	EAMC-40-66-20-24	
				Closing	176037	EAMC-40-66-XX-20	
			176036		EAMC-40-66-XX-15		
			42	50 mm	8 mm	2310376	EAMC-42-50-8-19
						8186207	EAMC-42-50-8-16
					9 mm	1732001	EAMC-42-50-9-12
						2733794	EAMC-42-50-10-19
	10 mm	1455666			EAMC-42-50-10-12		
		8086048			EAMC-42-50-11-12-U		
		543424			EAMC-42-50-11-12		
		8228281			EAMC-42-50-11-16-U		
	11 mm	8099432			EAMC-42-50-12-14-U		
		8099434			EAMC-42-50-12-22-U		
		8101555			EAMC-42-50-12-19-U		
		558314			EAMC-42-50-12-24		
		551005			EAMC-42-50-12-19		
		533709			EAMC-42-50-12-12		
		1232880			EAMC-42-50-12-16		
		2138701			EAMC-42-50-12-20		
		8086049			EAMC-42-50-12-20-U		
		1455671			EAMC-42-50-12-14		
		8099433			EAMC-42-50-12-16-U		
		14 mm			8228280	EAMC-42-50-14-16-U	
	16 mm	8225422			EAMC-42-50-16-19-U		
		8230707			EAMC-42-50-16-20-U		
		8230706			EAMC-42-50-16-16-U		
	19 mm	8225423			EAMC-42-50-19-19-U		
	66 mm	11 mm			558313	EAMC-42-66-11-12	
	56	58 mm			16 mm	8224386	EAMC-56-58-16-22
						8228283	EAMC-56-58-16-24
					19 mm	1485673	EAMC-56-58-19-19
						8099430	EAMC-56-58-19-22
						3181801	EAMC-56-58-19-20
			558315	EAMC-56-58-19-25			
			1485674	EAMC-56-58-19-24			
			8228600	EAMC-56-58-19-32-U			
			20 mm	8203734	EAMC-56-58-20-25-U		
				8134825	EAMC-56-58-20-22		
			22 mm	8134826	EAMC-56-58-22-24		
				8099431	EAMC-56-58-22-25		
			24 mm	558316	EAMC-56-58-24-25		
25 mm			8203733	EAMC-56-58-25-25-U			
65			90 mm	15 mm	530940	EAMC-65-90-15-24	
	25 mm	1745817		EAMC-65-90-25-32			
	Closing	176038		EAMC-65-90-XX-25			
67	62 mm	24 mm	1485796	EAMC-67-62-24-32			
			3187895	EAMC-67-62-24-25			
			1451407	EAMC-67-62-24-24			

Ordering data

Coupling hub EAMC-H					
	Size	Nominal length	Inside diameter 1	Part no.	Type
	10	9.5 mm	5 mm	8228646	EAMC-H-10-5-GB5-5
	15	12.4 mm	6 mm	8228647	EAMC-H-15-7-GB8-5
			6.35 mm	8228648	EAMC-H-15-7-GB8-6
			8 mm	8228649	EAMC-H-15-7-GB8-6.35
			8 mm	8228650	EAMC-H-15-7-GB8-8
	30	20.7 mm	6.35 mm	8228654	EAMC-H-30-10-GB16-6.35
			8 mm	8228655	EAMC-H-30-10-GB16-8
			9 mm	8228656	EAMC-H-30-10-GB16-9
			10 mm	8228657	EAMC-H-30-10-GB16-10
			11 mm	8228658	EAMC-H-30-10-GB16-11
			12 mm	8228659	EAMC-H-30-10-GB16-12
	15/25	15.4 mm	14 mm	8228660	EAMC-H-30-10-GB16-14
			9 mm	8228651	EAMC-H-25-10-GB8-9
			11 mm	8228652	EAMC-H-25-10-GB8-11
	30/35	23.4 mm	14 mm	8228653	EAMC-H-25-10-GB8-14
			19 mm	8228661	EAMC-H-35-13-GB16-19