

## Manually actuated valve, Inch VHEF

**FESTO**



## Characteristics

### At a glance

#### Innovative:

- Small and compact for a wide range of pneumatic applications
- Numerous valve functions can be selected: 3/2-way and 5/2-way functions
- With a flow rate of up to 1200 l/min, the valves offer high pneumatic performance for a wide range of tasks
- Lightweight
- Minimal actuating forces

#### Versatile:

- The flexibility of pneumatic working ports provides a practical way of solving individual requirements
- The 3/2-way valve can be used in normally closed (NC) or in normally open (NO) position
- Circular silencer or ducted exhaust air
- Suitable for vacuum
- Reverse operation possible
- Pressure range from vacuum to 10 bar possible
- Design as pushbutton valve, toggle lever valve, finger lever valve, hand lever valve, hand lever valve sideways, selector valve, selector valve sideways

#### Operationally safe:

- Durable due to proven piston slide and disc seat valves
- Sturdy design: basic valve made of metal, cover made of polymer

#### Easy to assemble:

- Can be mounted using mounting holes
- Almost all valves can be mounted on a front panel (not possible with finger lever valve)

#### Common features:

- Mechanical spring
- Vacuum operation possible
- Reversible
- Directly actuated
- Ducted exhaust air

### Product segmentation

#### Festo Core Range

Solves the majority of your automation tasks

With the Festo Core Range, we have selected the most important products and functions from our broad product catalogue, and added the quickest delivery. The Core Range offers you the best value with the expected high Festo quality.

- Quickest delivery, worldwide – wherever, whenever
- Expected high Festo quality
- Easy and fast to select

### Valve function

[M32]	3/2-way valve, normally closed or open	[B32]	3/2-way valve, double solenoid/bistable
	Normally open/closed		Normally open/closed
	Non-detenting (monostable) bistable		Detenting (bistable)
[M52]	5/2-way valve, single solenoid/monostable	[B52]	5/2-way valve, double solenoid/bistable
	Resetting		Resetting
	Non-detenting (monostable) bistable		Detenting (bistable)
[B53C]	5/3-way valve, detenting, mid-position closed	[B53E]	5/3-way valve, detenting, mid-position exhausted
	Detenting (bistable)		Mid-position closed detenting
			Mid-position exhausted

## Characteristics

[P53C] 5/3-way valve, mid-position closed

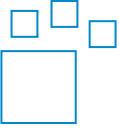
Non-detenting (monostable) bistable

[P53E] 5/3-way valve, mid-position exhausted

Mid-position closed not detenting

Mid-position exhausted

### Product version



You can order mechanical and manually operated directional control valves using the valve ordering system. Internet: vhef

## Type code

001	Series
VHEF	Manually actuated valve

002	Actuation type
E	Selector switch
ES	Selector switch, on the side
H	Hand lever, top
HS	Hand lever, on the side
L	Finger lever
P	Pushbutton
V	Toggle lever, top

003	Design principle
	Piston spool
T	Poppet valve

004	Type of control
	Directly actuated
C	Indirectly actuated

005	Pilot air
	Internal
Z	External

006	Valve function
B32	3/2-way valve, double solenoid/bistable
B52	5/2-way valve, double solenoid/bistable
B53C	5/3-way valve, detenting, mid-position closed
B53E	5/3-way valve, detenting, mid-position exhausted
M32	3/2-way valve, normally closed or open
M52	5/2-way valve, single solenoid/monostable
P53C	5/3-way valve, mid-position closed
P53E	5/3-way valve, mid-position exhausted

007	Reset method for monostable/single solenoid valves
	None
E	Pneumatic spring, external
M	Mechanical spring

008	Pneumatic connection
N18	1/8 NPT
N14	1/4 NPT

## Datasheet

**General technical data Pushbutton valve**

Design	Piston gate valve, Poppet seat
Construction width	20 mm
Instructions on use	Actuate manually only
Type of actuation	Manual
Type of mounting	Front panel mounting, With through-hole, Either:
Sealing principle	Soft
Flow direction	Reversible
Exhaust-air function	With flow control option
Mounting position	optional
Max. switching frequency	0.5 Hz

**General technical data toggle lever valve**

Design	Piston gate valve, Poppet seat
Construction width	20 mm
Instructions on use	Actuate manually only
Type of actuation	Manual
Type of mounting	Front panel mounting, With through-hole, Either:
Sealing principle	Soft
Flow direction	Reversible
Exhaust-air function	With flow control option
Mounting position	optional
Max. switching frequency	–

**General technical data Finger lever valve**

Design	Piston gate valve, Poppet seat
Construction width	20 mm
Type of piloting	Direct
Instructions on use	Actuate manually only
Type of actuation	Manual
Type of mounting	With through-hole
Sealing principle	Soft
Flow direction	Reversible
Exhaust-air function	With flow control option
Mounting position	optional
Max. switching frequency	0.5 Hz

**General technical data Hand lever valve, lateral**

Design	Piston gate valve, Poppet seat
Construction width	20 mm
Type of piloting	Direct
Instructions on use	Actuate manually only
Type of actuation	Manual
Type of mounting	Front panel mounting, With through-hole, Either:
Sealing principle	Soft
Flow direction	Reversible
Exhaust-air function	With flow control option
Mounting position	optional
Max. force on actuation	200 N
Max. lateral force on actuation	200 N
Max. switching frequency	0.5 Hz

## Datasheet

### General technical data Hand lever valve

Design	Piston gate valve, Poppet seat
Construction width	20 mm
Type of piloting	Direct
Instructions on use	Actuate manually only
Type of actuation	Manual
Type of mounting	Front panel mounting, With through-hole, Either:
Sealing principle	Soft
Flow direction	Reversible
Exhaust-air function	With flow control option
Mounting position	optional
Max. force on actuation	200 N
Max. lateral force on actuation	200 N
Max. switching frequency	0.5 Hz

### General technical data Selector valve, sideways

Design	Piston gate valve, Poppet seat
Construction width	20
Type of piloting	Direct
Instructions on use	Actuate manually only
Type of actuation	Manual
Type of mounting	Front panel mounting, With through-hole, Either:
Sealing principle	Soft
Flow direction	Reversible
Exhaust-air function	With flow control option
Mounting position	optional
Max. force on actuation	200 N
Max. lateral force on actuation	200 N
Max. switching frequency	0.5 Hz

### General technical data Selector valve

Design	Piston gate valve, Poppet seat
Construction width	20
Type of piloting	Direct
Instructions on use	Actuate manually only
Type of actuation	Manual
Type of mounting	Front panel mounting, With through-hole, Either:
Sealing principle	Soft
Flow direction	Reversible
Exhaust-air function	With flow control option
Mounting position	optional
Max. force on actuation	200 N
Max. lateral force on actuation	200 N
Max. switching frequency	0.5 Hz

### Technical data Pushbutton valve, 3/2-way valves, pneumatic connection N1/4

Valve function	3/2 double solenoid	3/2-way, monostable, open/closed
Standard nominal flow rate (standardised to DIN 1343)	870 l/min	
lap	Zero overlap	
Type of reset	–	Mechanical spring
Type of piloting	Pilot actuated	
Pilot air supply	External, Internal	
Manual override	Detenting	–
Actuating force	20	24.5
Unlocking force	25 N	–
Pilot air port 12	M5	
Nominal size	6 mm	

## Datasheet

Technical data Pushbutton valve, 3/2-way valves, pneumatic connection N1/8		
Valve function	3/2 double solenoid	3/2-way, monostable, open/closed
Standard nominal flow rate (standardised to DIN 1343)	750 l/min	
lap	Zero overlap	
Type of reset	–	Mechanical spring
Type of piloting	Pilot actuated	
Pilot air supply	External, Internal	
Manual override	Detenting	–
Actuating force	20	24.5
Unlocking force	25 N	–
Pilot air port 12	M5	
Nominal size	5.6 mm	

Technical data Pushbutton valve, 5/2-way valves, pneumatic connection N1/4		
Valve function	5/2 double solenoid	5/2-way, monostable
Standard nominal flow rate (standardised to DIN 1343)	1,200 l/min	
lap	Overlap	
Type of reset	–	Mechanical spring
Type of piloting	Direct	
Pilot air supply	–	
Manual override	Detenting	–
Actuating force	20	42
Unlocking force	35 N	–
Pilot air port 12	–	
Nominal size	7 mm	

Technical data Pushbutton valve, 5/2-way valves, pneumatic connection N1/8		
Valve function	5/2 double solenoid	5/2-way, monostable
Standard nominal flow rate (standardised to DIN 1343)	750 l/min	
lap	Overlap	
Type of reset	–	Mechanical spring
Type of piloting	Direct	
Pilot air supply	–	
Manual override	Detenting	–
Actuating force	20	42
Unlocking force	35 N	–
Pilot air port 12	–	
Nominal size	5.2 mm	

Technical data Toggle lever valve, 3/2-way valves, pneumatic connection N1/4		
Valve function	3/2 double solenoid	3/2-way, monostable, open/closed
Standard nominal flow rate (standardised to DIN 1343)	870 l/min	
lap	Zero overlap	
Type of reset	–	Mechanical spring
Type of piloting	Direct	
Pilot air supply	–	
Manual override	Detenting	–
Actuating torque	1.9 Nm	0.6 Nm
Unlocking torque	1 Nm	–
Max. force on actuation	200 N	
Max. lateral force on actuation	140 N	
Nominal size	6 mm	

## Datasheet

### Technical data Toggle lever valve, 3/2-way valves, pneumatic connection N1/8

Valve function	3/2 double solenoid	3/2-way, monostable, open/closed
Standard nominal flow rate (standardised to DIN 1343)	750 l/min	
lap	Zero overlap	
Type of reset	–	Mechanical spring
Type of piloting	Direct	
Pilot air supply	–	
Manual override	Detenting	–
Actuating torque	1.9 Nm	0.6 Nm
Unlocking torque	1 Nm	–
Max. force on actuation	200 N	
Max. lateral force on actuation	140 N	
Nominal size	5.6 mm	

### Technical data Toggle lever valve, 5/2-way valves, pneumatic connection N1/4

Valve function	5/2 double solenoid	5/2-way, monostable
Standard nominal flow rate (standardised to DIN 1343)	1,200 l/min	
lap	Overlap	
Type of reset	–	Mechanical spring
Type of piloting	Direct	
Pilot air supply	–	
Manual override	Detenting	–
Actuating torque	1.1 Nm	0.6 Nm
Unlocking torque	0.6 Nm	–
Max. force on actuation	200 N	
Max. lateral force on actuation	140 N	
Nominal size	7 mm	

### Technical data Toggle lever valve, 5/2-way valves, pneumatic connection N1/8

Valve function	5/2 double solenoid	5/2-way, monostable
Standard nominal flow rate (standardised to DIN 1343)	750 l/min	
lap	Overlap	
Type of reset	–	Mechanical spring
Type of piloting	Direct	
Pilot air supply	–	
Manual override	Detenting	–
Actuating torque	1.1 Nm	0.6 Nm
Unlocking torque	0.6 Nm	–
Max. force on actuation	200 N	
Max. lateral force on actuation	140 N	
Nominal size	5.2 mm	

### Technical data Finger lever valve, 3/2-way valves, pneumatic connection N1/4

Valve function	3/2-way, monostable, open/closed	
Standard nominal flow rate (standardised to DIN 1343)	870 l/min	
lap	Zero overlap	
Type of reset	Mechanical spring	
Nominal size	6 mm	
Actuating force	14 N	



## Datasheet

**Technical data Finger lever valve, 3/2-way valves, pneumatic connection N1/8**

Valve function	3/2-way, monostable, open/closed	
Standard nominal flow rate (standardised to DIN 1343)	750 l/min	
lap	Zero overlap	
Type of reset	Mechanical spring	
Actuating force	14 N	
Nominal size	5.6 mm	

**Technical data Finger lever valve, 5/2-way valves, pneumatic connection N1/4**

Type of reset	Mechanical spring	Pneumatic spring
Valve function	5/2-way, monostable	
lap	Overlap	
Standard nominal flow rate (standardised to DIN 1343)	1,200 l/min	
Actuating force	12 N	14 N
Nominal size	7 mm	

**Technical data Finger lever valve, 5/2-way valves, pneumatic connection N1/8**

Type of reset	Mechanical spring	Pneumatic spring
Valve function	5/2-way, monostable	
Standard nominal flow rate (standardised to DIN 1343)	750 l/min	
lap	Overlap	
Actuating force	10 N	8 N
Nominal size	5.2 mm	

**Technical data Hand lever valve, sideways, 3/2-way valves, pneumatic connection N1/4**

Valve function	3/2 double solenoid	3/2-way, monostable, open/closed
Standard nominal flow rate (standardised to DIN 1343)	870 l/min	
lap	Zero overlap	
Type of reset	–	Mechanical spring
Manual override	Detenting	–
Actuating torque	0.7 Nm	0.6 Nm
Nominal size	6 mm	

**Technical data Hand lever valve, sideways, 3/2-way valves, pneumatic connection N1/8**

Valve function	3/2 double solenoid	3/2-way, monostable, open/closed
Standard nominal flow rate (standardised to DIN 1343)	750 l/min	
lap	Zero overlap	
Type of reset	–	Mechanical spring
Manual override	Detenting	–
Actuating torque	0.7 Nm	0.6 Nm
Nominal size	5.6 mm	

**Technical data Hand lever valve, sideways, 5/2-way valves, pneumatic connection N1/4**

Valve function	5/2 double solenoid	5/2-way, monostable
Standard nominal flow rate (standardised to DIN 1343)	1,200 l/min	
lap	Overlap	
Type of reset	–	Mechanical spring
Manual override	Detenting	–
Actuating torque	0.6 Nm	
Nominal size	7 mm	

## Datasheet

### Technical data Hand lever valve, sideways, 5/2-way valves, pneumatic connection N1/8

Valve function	5/2 double solenoid	5/2-way, monostable
Standard nominal flow rate (standardised to DIN 1343)	750 l/min	
lap	Overlap	
Type of reset	–	Mechanical spring
Manual override	Detenting	–
Actuating torque	0.6 Nm	
Nominal size	5.2 mm	

### Technical data Hand lever valve, sideways, 5/3-way valves, pneumatic connection N1/4

Valve function	5/3 exhausted	5/3 closed
Standard nominal flow rate (standardised to DIN 1343)	900 l/min	1,200 l/min
lap	Overlap	
Type of reset	Mechanical spring	
Manual override	Detenting	
Actuating torque	0.7 Nm	
Nominal size	7 mm	

### Technical data Hand lever valve, sideways, 5/3-way valves, pneumatic connection N1/8

Valve function	5/3 exhausted	5/3 closed
Standard nominal flow rate (standardised to DIN 1343)	530 l/min	700 l/min
lap	Overlap	
Type of reset	Mechanical spring	
Manual override	Detenting	
Actuating torque	0.7 Nm	
Nominal size	5.2 mm	

### Technical data Hand lever valve, 3/2-way valves, pneumatic connection N1/4

Valve function	3/2 double solenoid	3/2-way, monostable, open/closed
Standard nominal flow rate (standardised to DIN 1343)	870 l/min	
lap	Zero overlap	
Type of reset	–	Mechanical spring
Manual override	Detenting	–
Actuating torque	0.7 Nm	0.6 Nm
Nominal size	6 mm	

### Technical data Hand lever valve, 3/2-way valves, pneumatic connection N1/8

Valve function	3/2 double solenoid	3/2-way, monostable, open/closed
Standard nominal flow rate (standardised to DIN 1343)	750 l/min	
lap	Zero overlap	
Type of reset	–	Mechanical spring
Manual override	Detenting	–
Actuating torque	0.7 Nm	0.6 Nm
Nominal size	5.6 mm	

### Technical data Hand lever valve, 5/2-way valves, pneumatic connection N1/4

Valve function	5/2 double solenoid	5/2-way, monostable
Standard nominal flow rate (standardised to DIN 1343)	1,200 l/min	
lap	Overlap	
Type of reset	–	Mechanical spring
Manual override	Detenting	–
Actuating torque	0.6 Nm	
Nominal size	7 mm	

## Datasheet

**Technical data Hand lever valve, 5/2-way valves, pneumatic connection N1/8**

Valve function	5/2 double solenoid	5/2-way, monostable
Standard nominal flow rate (standardised to DIN 1343)	750 l/min	
lap	Overlap	
Type of reset	–	Mechanical spring
Manual override	Detenting	–
Actuating torque	0.6 Nm	
Nominal size	5.2 mm	

**Technical data Hand lever valve, 5/3-way valves, pneumatic connection N1/4**

Valve function	5/3 exhausted	5/3 closed
Standard nominal flow rate (standardised to DIN 1343)	750 l/min	1,200 l/min
lap	Overlap	
Type of reset	Mechanical spring	
Manual override	Detenting	
Actuating torque	0.7 Nm	
Nominal size	7 mm	

**Technical data Hand lever valve, 5/3-way valves, pneumatic connection N1/8**

Valve function	5/3 exhausted	5/3 closed
Standard nominal flow rate (standardised to DIN 1343)	530 l/min	700 l/min
lap	Overlap	
Type of reset	Mechanical spring	
Manual override	Detenting	
Actuating torque	0.7 Nm	
Nominal size	5.2 mm	

**Technical data Selector valve, sideways, 3/2-way valves, pneumatic connection N1/4**

Valve function	3/2 double solenoid	3/2-way, monostable, open/closed
Standard nominal flow rate (standardised to DIN 1343)	870 l/min	
lap	Zero overlap	
Type of reset	–	Mechanical spring
Manual override	Detenting	–
Actuating torque	0.4 Nm	
Nominal size	6 mm	

**Technical data Selector valve, sideways, 3/2-way valves, pneumatic connection N1/8**

Valve function	3/2 double solenoid	3/2-way, monostable, open/closed
Standard nominal flow rate (standardised to DIN 1343)	750 l/min	
lap	Zero overlap	
Type of reset	–	Mechanical spring
Manual override	Detenting	–
Actuating torque	0.4 Nm	
Nominal size	5.6 mm	

**Technical data Selector valve, sideways, 5/2-way valves, pneumatic connection N1/4**

Valve function	5/2 double solenoid	5/2-way, monostable
Standard nominal flow rate (standardised to DIN 1343)	1,200 l/min	
lap	Overlap	
Type of reset	–	Mechanical spring
Manual override	Detenting	–
Actuating torque	0.2 Nm	0.3 Nm
Nominal size	7 mm	

## Datasheet

### Technical data Selector valve, sideways, 5/2-way valves, pneumatic connection N1/8

Valve function	5/2 double solenoid	5/2-way, monostable
Standard nominal flow rate (standardised to DIN 1343)	750 l/min	
lap	Overlap	
Type of reset	–	Mechanical spring
Manual override	Detenting	–
Actuating torque	0.2 Nm	0.3 Nm
Nominal size	5.2 mm	

### Technical data Selector valve, sideways, 5/3-way valves, pneumatic connection N1/4

Valve function	5/3 exhausted	5/3 closed
Actuating torque	0.3 Nm	0.7 Nm
Standard nominal flow rate (standardised to DIN 1343)	900 l/min	1,200 l/min
lap	Overlap	
Type of reset	–	Mechanical spring
Manual override	Detenting	–
Nominal size	7 mm	

### Technical data Selector valve, sideways, 5/3-way valves, pneumatic connection N1/8

Valve function	5/3 exhausted	5/3 closed
Actuating torque	0.3 Nm	0.7 Nm
Standard nominal flow rate (standardised to DIN 1343)	530 l/min	700 l/min
lap	Overlap	
Type of reset	–	Mechanical spring
Manual override	Detenting	–
Nominal size	5.2 mm	

### Technical data Selector valve, 3/2-way valves, pneumatic connection N1/4

Valve function	3/2 double solenoid	3/2-way, monostable, open/closed
Standard nominal flow rate (standardised to DIN 1343)	870 l/min	
lap	Zero overlap	
Type of reset	–	Mechanical spring
Manual override	Detenting	–
Actuating torque	0.7 Nm	0.4 Nm
Nominal size	6 mm	

### Technical data Selector valve, 3/2-way valves, pneumatic connection N1/8

Valve function	3/2 double solenoid	3/2-way, monostable, open/closed
Standard nominal flow rate (standardised to DIN 1343)	750 l/min	
lap	Zero overlap	
Type of reset	–	Mechanical spring
Manual override	Detenting	–
Actuating torque	0.7 Nm	0.4 Nm
Nominal size	5.6 mm	

### Technical data Selector valve, 5/2-way valves, pneumatic connection N1/4

Valve function	5/2 double solenoid	5/2-way, monostable
Standard nominal flow rate (standardised to DIN 1343)	1,200 l/min	
lap	Overlap	
Type of reset	–	Mechanical spring
Manual override	Detenting	–
Actuating torque	0.3 Nm	
Nominal size	7 mm	

## Datasheet

**Technical data Selector valve, 5/2-way valves, pneumatic connection N1/8**

Valve function	5/2 double solenoid	5/2-way, monostable
Standard nominal flow rate (standardised to DIN 1343)	750 l/min	
lap	Overlap	
Type of reset	–	Mechanical spring
Manual override	Detenting	–
Actuating torque	0.3 Nm	
Nominal size	5.2 mm	

**Technical data Selector valve, 5/3-way valves, pneumatic connection N1/4**

Valve function	5/3 exhausted	5/3 closed		
Actuating torque	0.4 Nm	0.7 Nm	0.4 Nm	0.7 Nm
Standard nominal flow rate (standardised to DIN 1343)	750 l/min		1,200 l/min	
lap	Overlap			
Type of reset	–	Mechanical spring	–	Mechanical spring
Manual override	Detenting	–	Detenting	–
Nominal size	7 mm			

**Technical data Selector valve, 5/3-way valves, pneumatic connection N1/8**

Valve function	5/3 exhausted	5/3 closed		
Actuating torque	0.4 Nm	0.7 Nm	0.4 Nm	0.7 Nm
Standard nominal flow rate (standardised to DIN 1343)	530 l/min		700 l/min	
lap	Overlap			
Type of reset	–	Mechanical spring	–	Mechanical spring
Manual override	Detenting	–	Detenting	–
Nominal size	5.2 mm			

**Operating and ambient conditions, pushbutton valve**

Operating medium	Compressed air to ISO 8573-1:2010 [7:-:]
Note on operating and pilot medium	Lubricated operation possible (in which case lubricated operation will always be required)
Operating pressure	-0.95 ... 10 bar
Operating pressure	-0.095 ... 1 MPa
Pilot pressure	3 ... 10 bar
Media temperature	-10 ... 60°C
Ambient temperature	-10 ... 60°C
Corrosion resistance class CRC <sup>1)</sup>	1 - Low corrosion stress

1) More information [www.festo.com/x/topic/crc](http://www.festo.com/x/topic/crc)**Operating and ambient conditions, toggle lever valve**

Operating medium	Compressed air to ISO 8573-1:2010 [7:-:]
Note on operating and pilot medium	Lubricated operation possible (in which case lubricated operation will always be required)
Operating pressure	-0.95 ... 10 bar
Operating pressure	-0.095 ... 1 MPa
Pilot pressure	–
Media temperature	-10 ... 60°C
Ambient temperature	-10 ... 60°C
Corrosion resistance class CRC <sup>1)</sup>	1 - Low corrosion stress

1) More information [www.festo.com/x/topic/crc](http://www.festo.com/x/topic/crc)

## Datasheet

### Operating and ambient conditions, finger lever valve

Operating medium	Compressed air to ISO 8573-1:2010 [7:-:-]
Note on operating and pilot medium	Lubricated operation possible (in which case lubricated operation will always be required)
Operating pressure	-0.95 ... 10 bar
Operating pressure	-0.095 ... 1 MPa
Pilot pressure	–
Media temperature	-10 ... 60°C
Ambient temperature	-10 ... 60°C
Corrosion resistance class CRC <sup>1)</sup>	1 - Low corrosion stress

1) More information [www.festo.com/x/topic/crc](http://www.festo.com/x/topic/crc)

### Operating and ambient conditions, hand lever valve

Operating medium	Compressed air to ISO 8573-1:2010 [7:-:-]
Note on operating and pilot medium	Lubricated operation possible (in which case lubricated operation will always be required)
Operating pressure	-0.95 ... 10 bar
Operating pressure	-0.095 ... 1 MPa
Pilot pressure	–
Media temperature	-10 ... 60°C
Ambient temperature	-10 ... 60°C
Corrosion resistance class CRC <sup>1)</sup>	1 - Low corrosion stress

1) More information [www.festo.com/x/topic/crc](http://www.festo.com/x/topic/crc)

### Operating and ambient conditions, selector valve

Operating medium	Compressed air to ISO 8573-1:2010 [7:-:-]
Note on operating and pilot medium	Lubricated operation possible (in which case lubricated operation will always be required)
Operating pressure	-0.95 ... 10 bar
Operating pressure	-0.095 ... 1 MPa
Pilot pressure	–
Media temperature	-10 ... 60°C
Ambient temperature	-10 ... 60°C
Corrosion resistance class CRC <sup>1)</sup>	1 - Low corrosion stress

1) More information [www.festo.com/x/topic/crc](http://www.festo.com/x/topic/crc)

### Materials, pushbutton valve

Material housing	Anodised wrought aluminium alloy
Material cover	PA-reinforced
Material lever	–
Material seals	NBR
Note on materials	RoHS-compliant

### Materials, toggle lever valve

Material housing	Anodised wrought aluminium alloy
Material cover	PA-reinforced
Material lever	PA-reinforced
Material seals	NBR
Note on materials	RoHS-compliant

### Materials, finger lever valve

Material housing	Anodised wrought aluminium alloy
Material cover	PA-reinforced
Material lever	PA-reinforced
Material seals	NBR
Note on materials	RoHS-compliant

## Datasheet

## Materials, hand lever valve

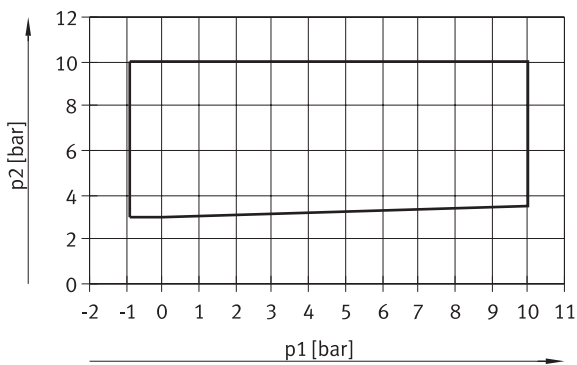
Material housing	Anodised wrought aluminium alloy
Material cover	PA-reinforced
Material lever	PA-reinforced
Material seals	NBR
Note on materials	RoHS-compliant

## Materials, selector valve

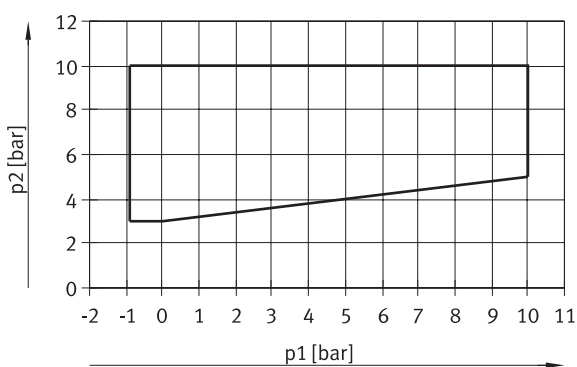
Material housing	Anodised wrought aluminium alloy
Material cover	PA-reinforced
Material lever	PA-reinforced
Material seals	NBR
Note on materials	RoHS-compliant

Pilot pressure  $p_2$  as a function of working pressure  $p_1$ , for poppet seat valves VMEF-...-M32... (normally closed, NC)

VMEF

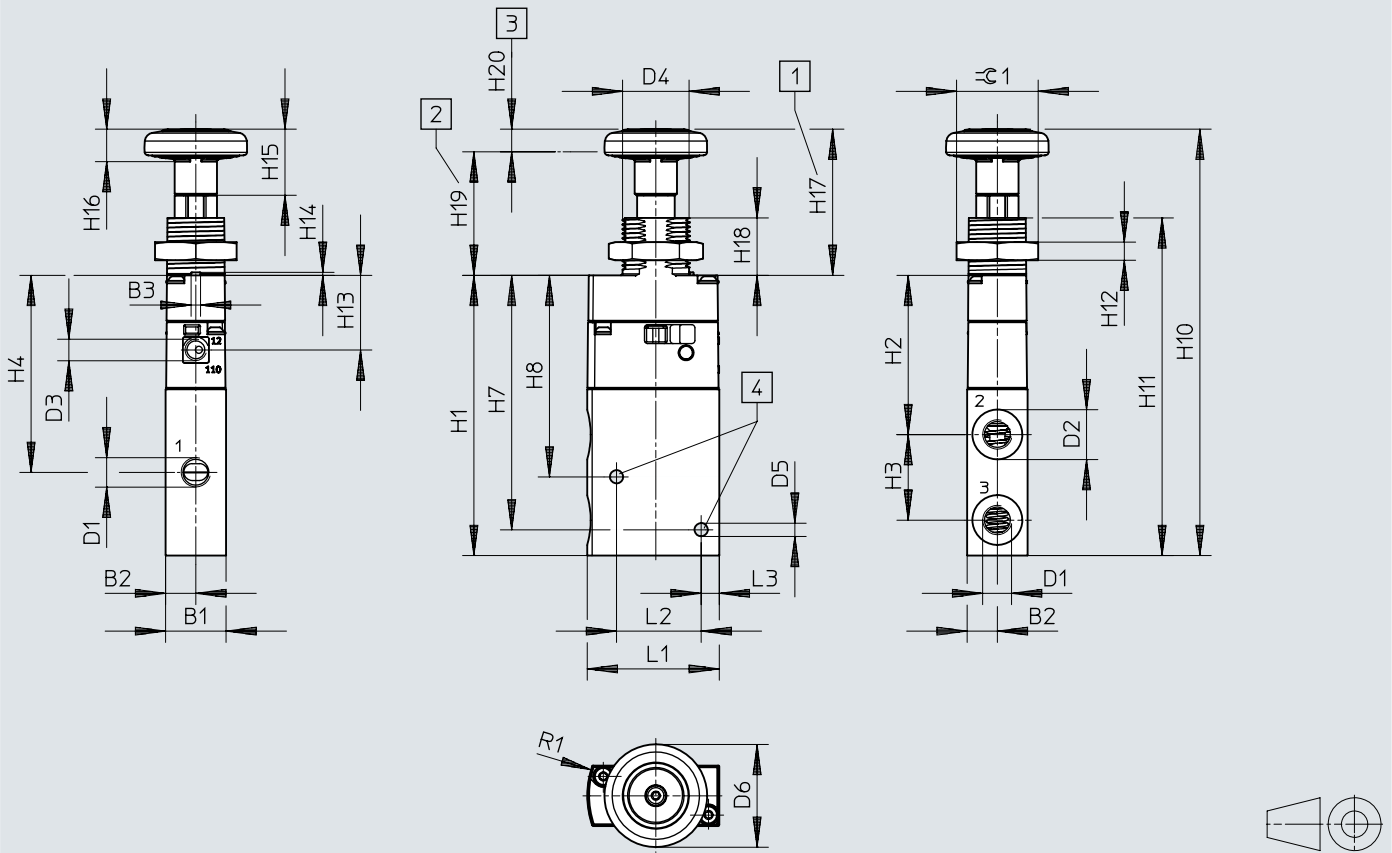
Pilot pressure  $p_2$  as a function of working pressure  $p_1$ , for poppet seat valves VMEF-...-M32... (normally open, NO)

VMEF-G18/G14



Dimensions

Download CAD data [www.festo.com](http://www.festo.com)



- [1] Rest position
- [2] Actuated position
- [3] Valve stroke
- [4] Mounting holes for M4 screws

	B1	B2	B3	D1	D2 ∅	D3 ∅	D4	D5 ∅	D6 ∅	H1	H2	H3	H4	H7	H8	H10
VHEF-PTC-...32-...-N18	20	10	3,1	1/8 NPT	16,5	-	M22x1,5	4,4	34	92,7	52,7	28,3	65,2	84,2	66,7	141,1
VHEF-PTCZ-...32-...-N18				M5												
VHEF-PTC-...32-...-N14				1/4 NPT	22	-										
VHEF-PTCZ-...32-...-N14				M5												

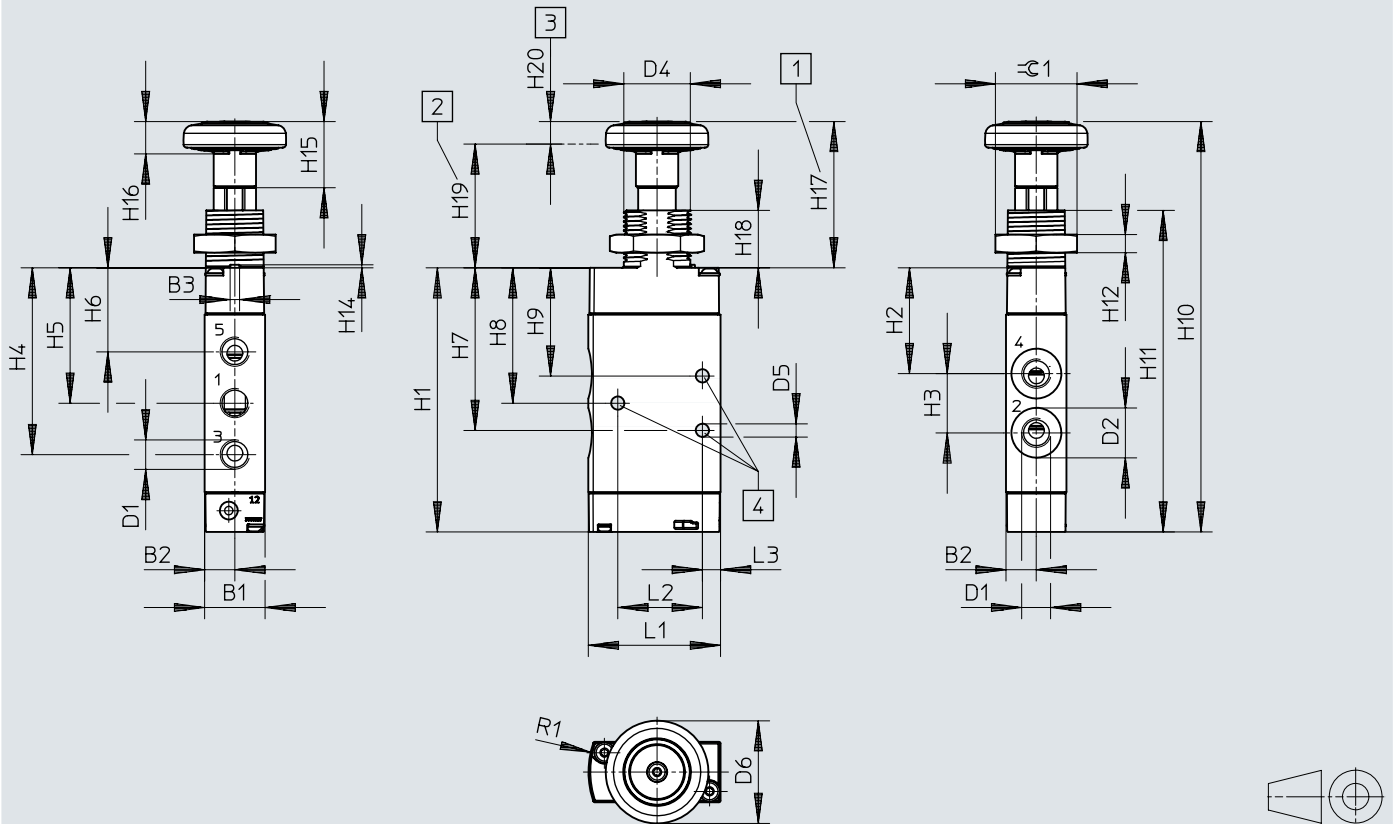
	H11	H12	H13	H14	H15	H16	H17	H18	H19	H20	L1	L2	L3	R1	≈∅ 1
VHEF-PTC-...32-...-N18	111,7	6	24,7	1	21,9	10,7	48,4	19	40,9	7,5	43,7	28	6	30	27
VHEF-PTCZ-...32-...-N18															
VHEF-PTC-...32-...-N14															
VHEF-PTCZ-...32-...-N14															



## Dimensions

Dimensions – 5/2-way valve, pushbutton valve, pneumatic connection G1/8

Download CAD data [www.festo.com](http://www.festo.com)



- [1] Rest position
- [2] Actuated position
- [3] Valve stroke
- [4] Mounting holes for M4 screws

	B1	B2	B3	D1	D2 ∅	D4	D5 ∅	D6 ∅	H1	H2	H3	H4	H5	H6	H7	H8
VHEF-P-M52-M-N18	20	10	3,1	1/8 NPT	16,5	M22x1,5	4,4	34	87,4	35,1	19,6	61,9	44,9	27,9	53,9	44,9
VHEF-P-B52-N18																

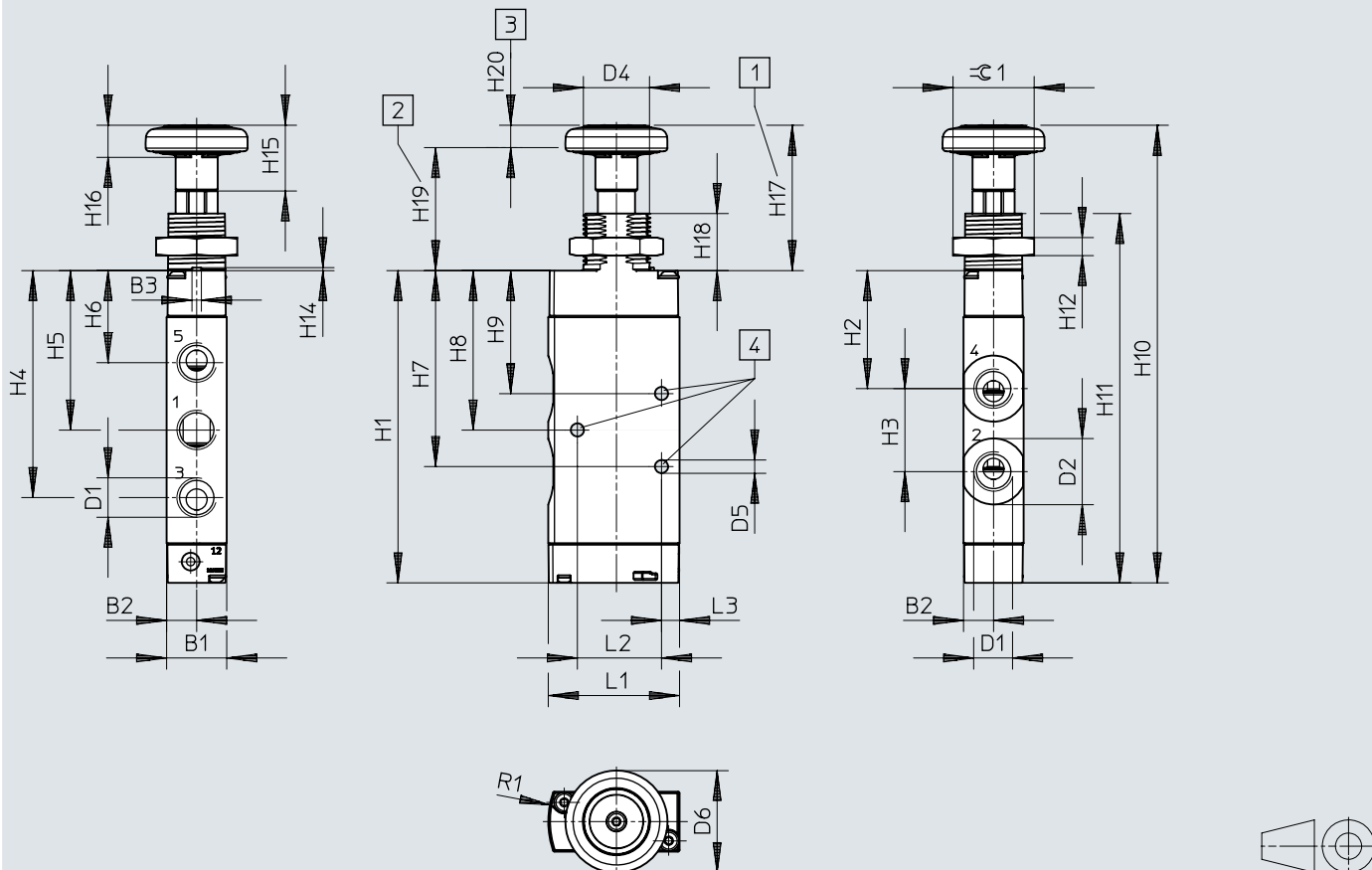
  

	H9	H10	H11	H12	H14	H15	H16	H17	H18	H19	H20	L1	L2	L3	R1	$\varnothing 1$
VHEF-P-M52-M-N18	35,9	135,8	106,4	6	1	21,9	10,7	48,4	19	40,9	7,5	43,7	28	6	30	27
VHEF-P-B52-N18																

## Dimensions

Dimensions – 5/2-way valve, pushbutton valve, pneumatic connection G1/4

Download CAD data [www.festo.com](http://www.festo.com)



- [1] Rest position
- [2] Actuated position
- [3] Valve stroke
- [4] Mounting holes for M4 screws

	B1	B2	B3	D1	D2 ∅	D4	D5 ∅	D6 ∅	H1	H2	H3	H4	H5	H6	H7	H8
VHEF-P-M52-M-N14	20	10	3,1	1/4 NPT	22	M22x1,5	4,4	34	103,9	39,3	27,6	75,6	53,1	30,7	65,3	53,1
VHEF-P-B52-N14																

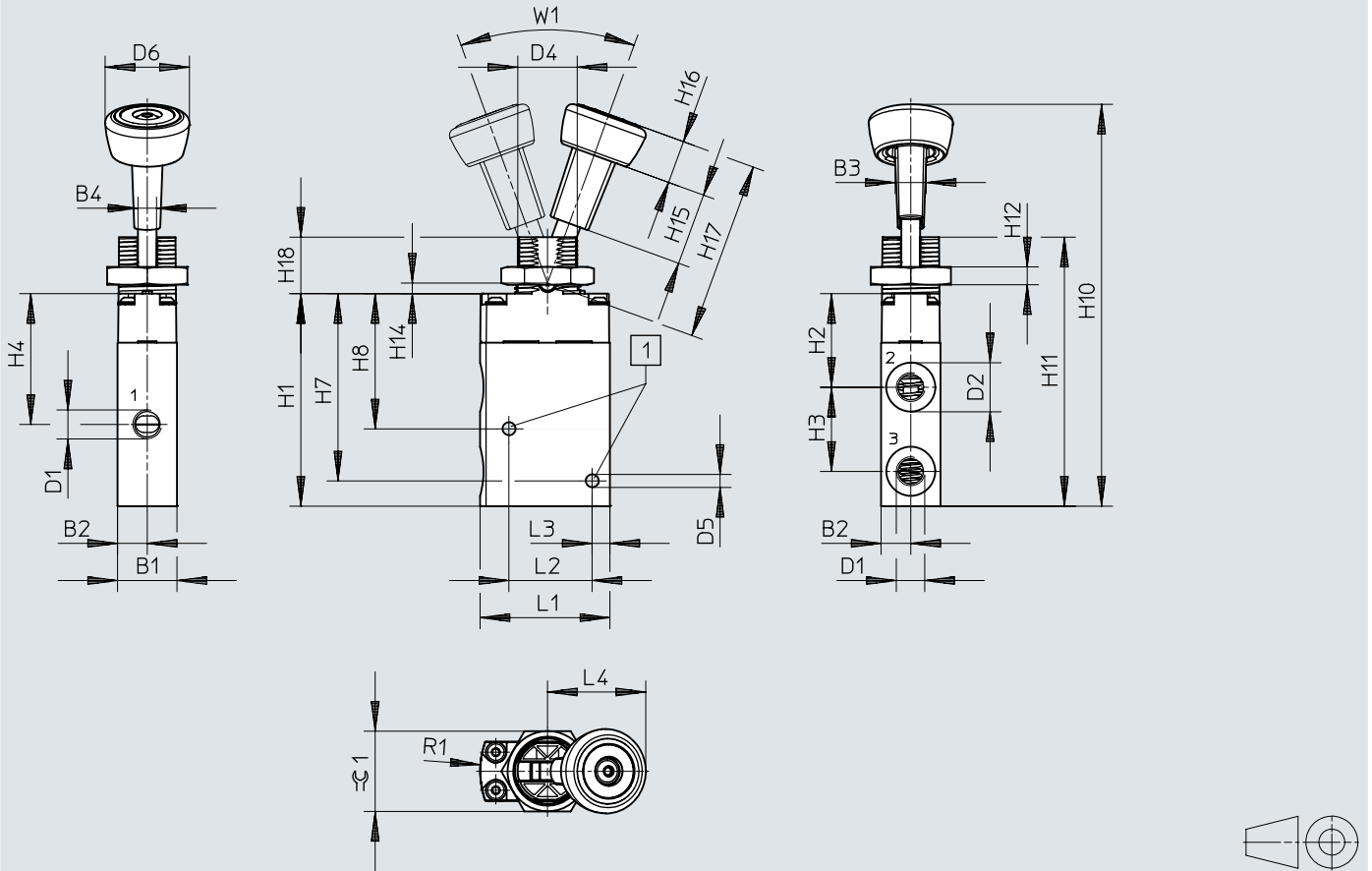
  

	H9	H10	H11	H12	H14	H15	H16	H17	H18	H19	H20	L1	L2	L3	R1	≈ 1
VHEF-P-M52-M-N14	41	152,3	122,9	6	1	21,9	10,7	48,4	19	40,9	7,5	43,7	28	6	30	27
VHEF-P-B52-N14																

## Dimensions

Dimensions – 3/2-way valve, toggle lever valve

Download CAD data [www.festo.com](http://www.festo.com)



[1] Mounting holes for M4 screws

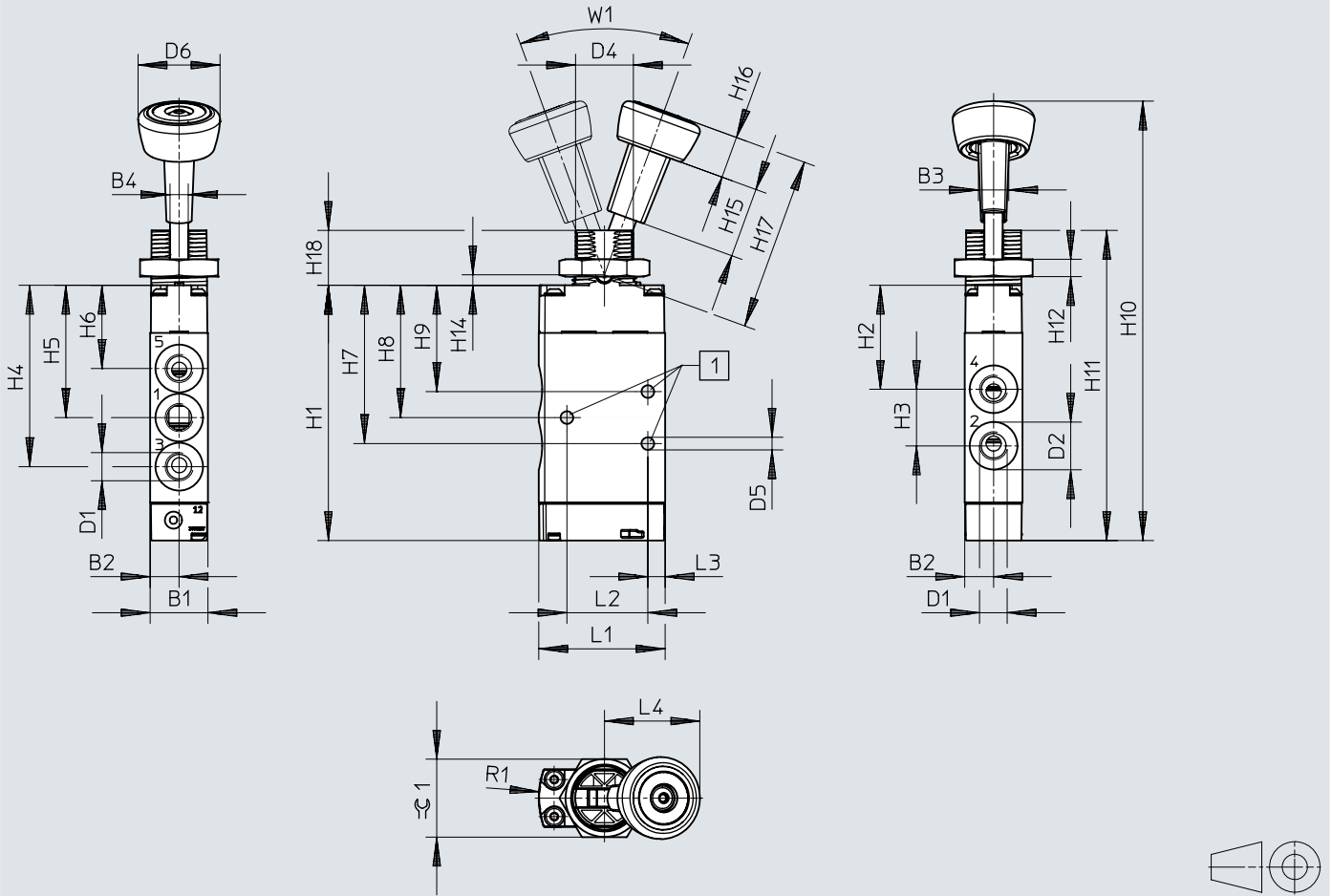
	B1	B2	B3	B4	D1	D2 ø	D4	D5 ø	D6 ø	H1	H2	H3	H4	H7	H8	H10
VHEF-VT...M32...-N18	20	10	10,5	6,3	1/8 NPT	16,5	M22x1,5	4,4	28,4	71,4	31,5	28,3	44	63	45,5	135,2
VHEF-VT...M32...-N14					1/4 NPT	22										
VHEF-VT...B32...-N18					1/8 NPT	16,5										
VHEF-VT...B32...-N14					1/4 NPT	22										

	H11	H12	H14	H15	H16	H17	H18	L1	L2	L3	L4	R1	W1	≈ 1
VHEF-VT...M32...-N18	90,5	6	3,6	24,4	14,6	60	19	43,7	28	6	33	30	40°	27
VHEF-VT...M32...-N14														
VHEF-VT...B32...-N18														
VHEF-VT...B32...-N14														

## Dimensions

Dimensions – 5/2-way valve, toggle lever valve, pneumatic connection G1/8

Download CAD data [www.festo.com](http://www.festo.com)



[1] Mounting holes for M4 screws

	B1	B2	B3	B4	D1	D2 ∅	D4	D5 ∅	D6 ∅	H1	H2	H3	H4	H5	H6	H7
VHEF-V-M52-M-N18	20	10	10,5	6,3	1/8 NPT	16,5	M22x1,5	4,4	28,4	88,4	36,1	19,6	62,9	45,9	28,9	54,9
VHEF-V-B52-N18																

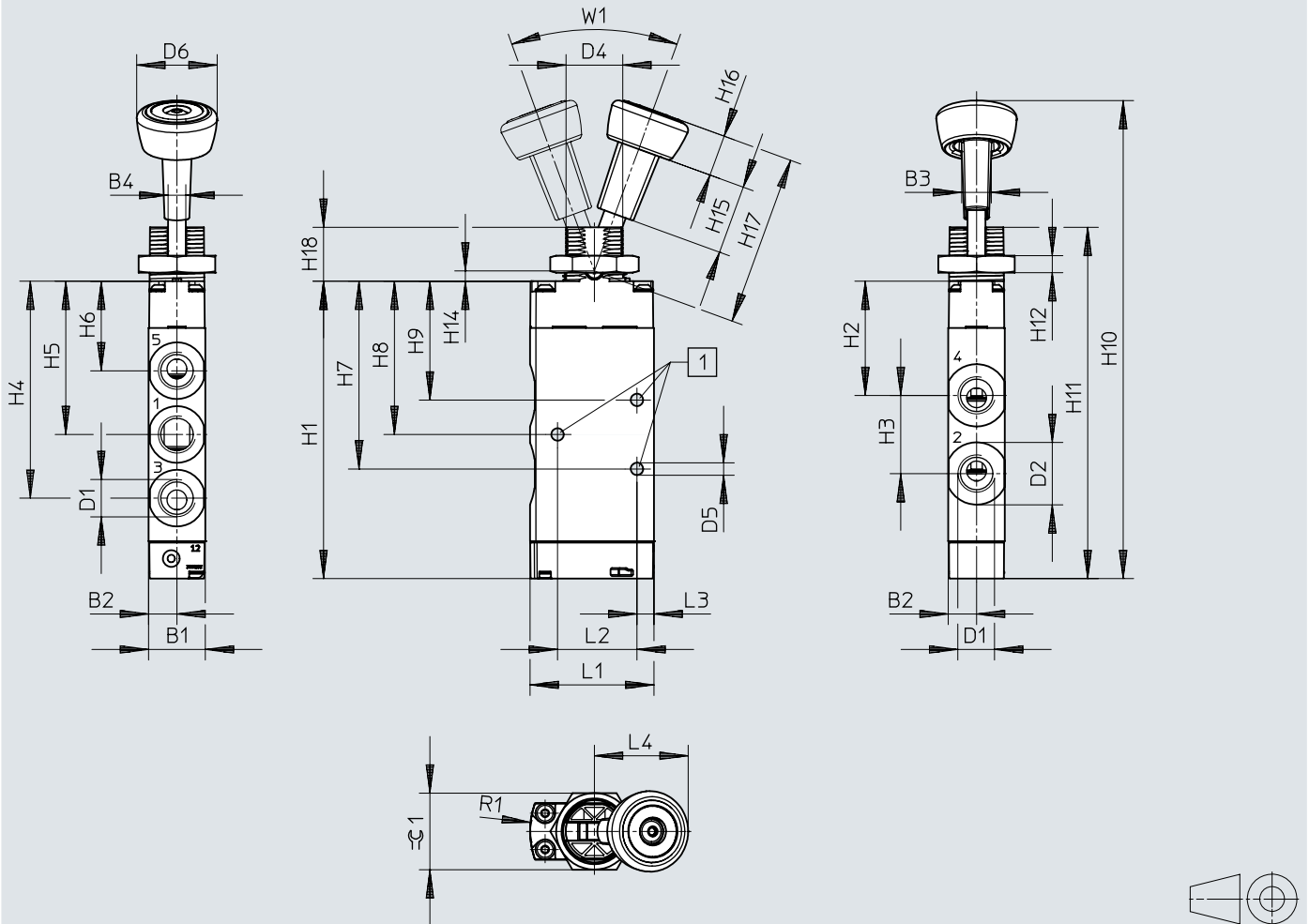
  

	H8	H9	H10	H11	H12	H14	H15	H16	H17	H18	L1	L2	L3	L4	R1	W1	≈ 1
VHEF-V-M52-M-N18	45,9	36,9	152,1	107,4	6	3,6	24,4	14,6	60	19	43,7	28	6	33	30	40°	27
VHEF-V-B52-N18																	

## Dimensions

Dimensions – 5/2-way valve, toggle lever valve, pneumatic connection G1/4

Download CAD data [www.festo.com](http://www.festo.com)



[1] Mounting holes for M4 screws

	B1	B2	B3	D1	D2 ∅	D4	D5 ∅	D6 ∅	H1	H2	H3	H4	H5	H6	H7	H8
VHEF-V-M52-M-N14	20	10	10,5	1/4 NPT	22	M22x1,5	4,4	28,4	104,9	40,3	27,6	76,6	54,1	31,7	66,3	54,1
VHEF-V-B52-N14																

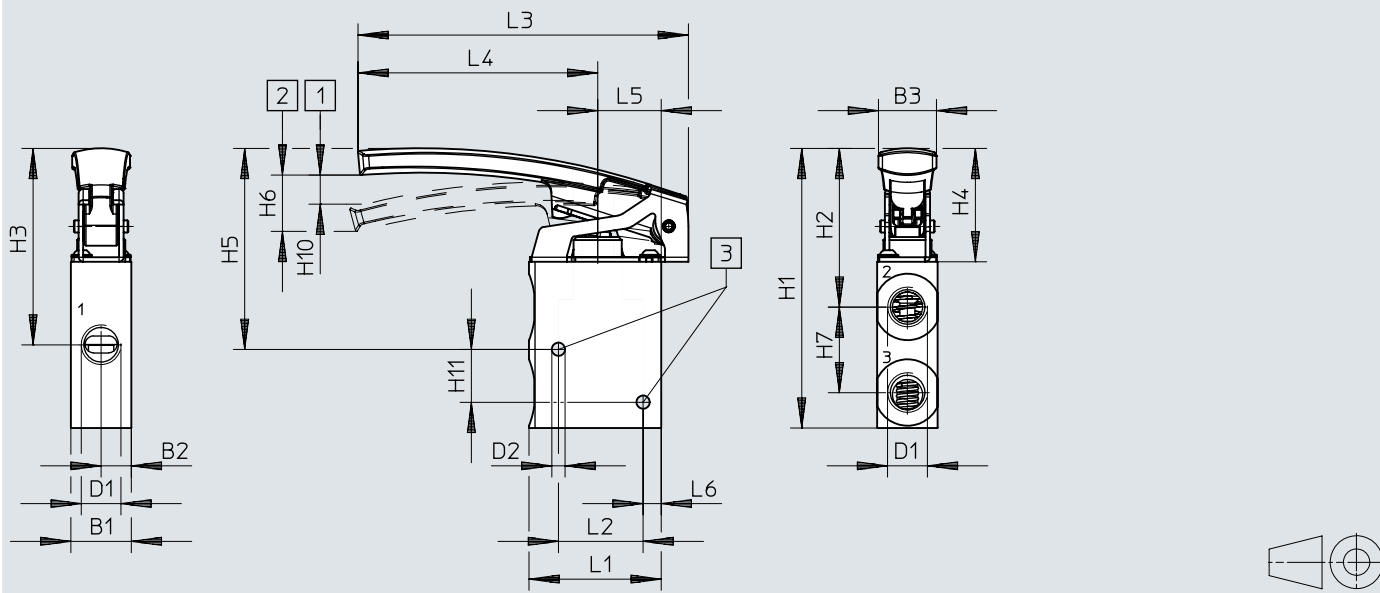
  

	H9	H10	H11	H12	H14	H15	H16	H17	H18	L1	L2	L3	L4	R1	W1	≈ 1
VHEF-V-M52-M-N14	42	168,6	123,9	6	3,6	24,4	14,6	60	19	43,7	28	6	33	30	40°	27
VHEF-V-B52-N14																

## Dimensions

Dimensions – 3/2-way valve, finger lever valve

Download CAD data [www.festo.com](http://www.festo.com)



- [1] Start of opening
- [2] Maximum stroke
- [3] Mounting holes for M4 screws

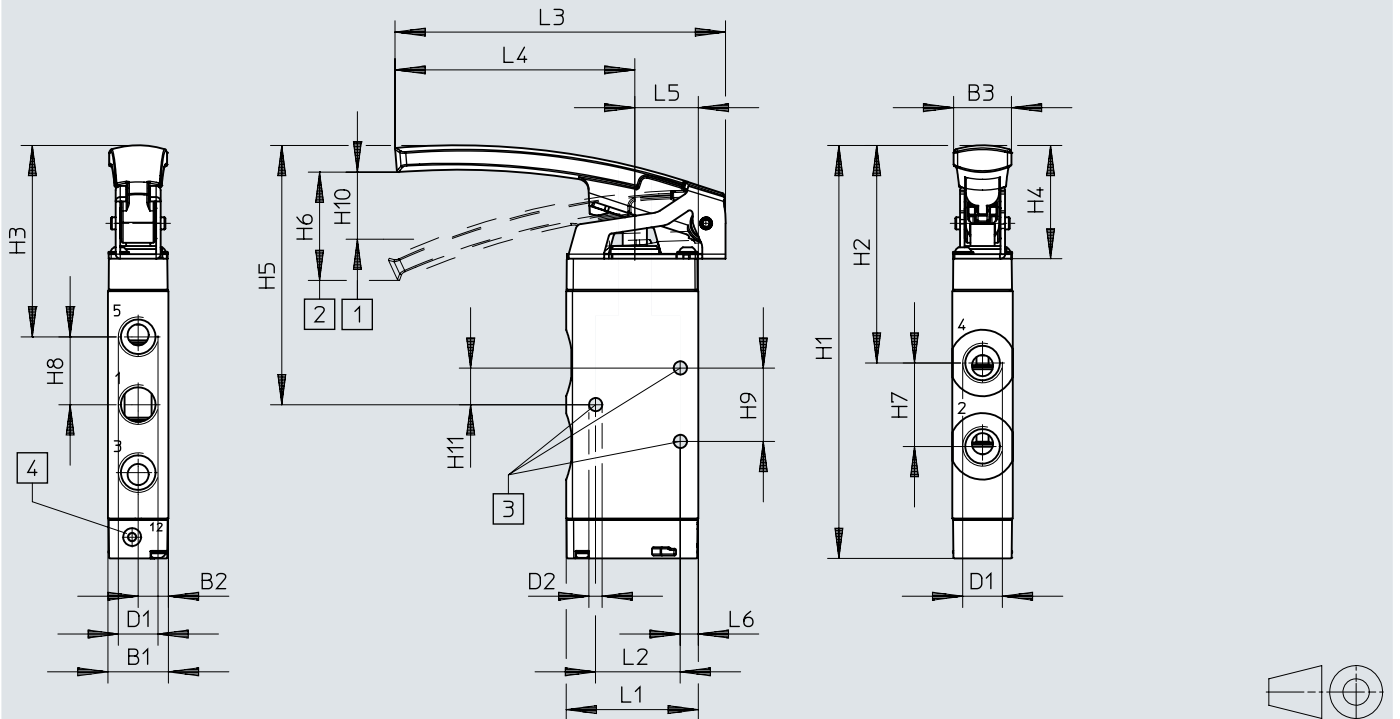
	B1	B2	B3	D1	D2 ∅	L1	L2	L3	L4	L5
VHEF-LT-M32-M-N14	20	10	19,1	1/4 NPT	4,4	43,7	28	109,3	79,3	21
VHEF-LT-M32-M-N18				1/8 NPT						

	L6	H1	H2	H3	H4	H5	H6	H7	H10	H11
VHEF-LT-M32-M-N14	6	92,5	52,5	65	37,5	66,5	18,6	28,3	6,3	17,5
VHEF-LT-M32-M-N18										

## Dimensions

Dimensions – 5/2-way valve, finger lever valve

Download CAD data [www.festo.com](http://www.festo.com)



- [1] Start of opening
- [2] Maximum stroke
- [3] Mounting holes for M4 screws
- [4] Port 12: pneumatic spring, M5 (for VHEF-L-M52-E-...)

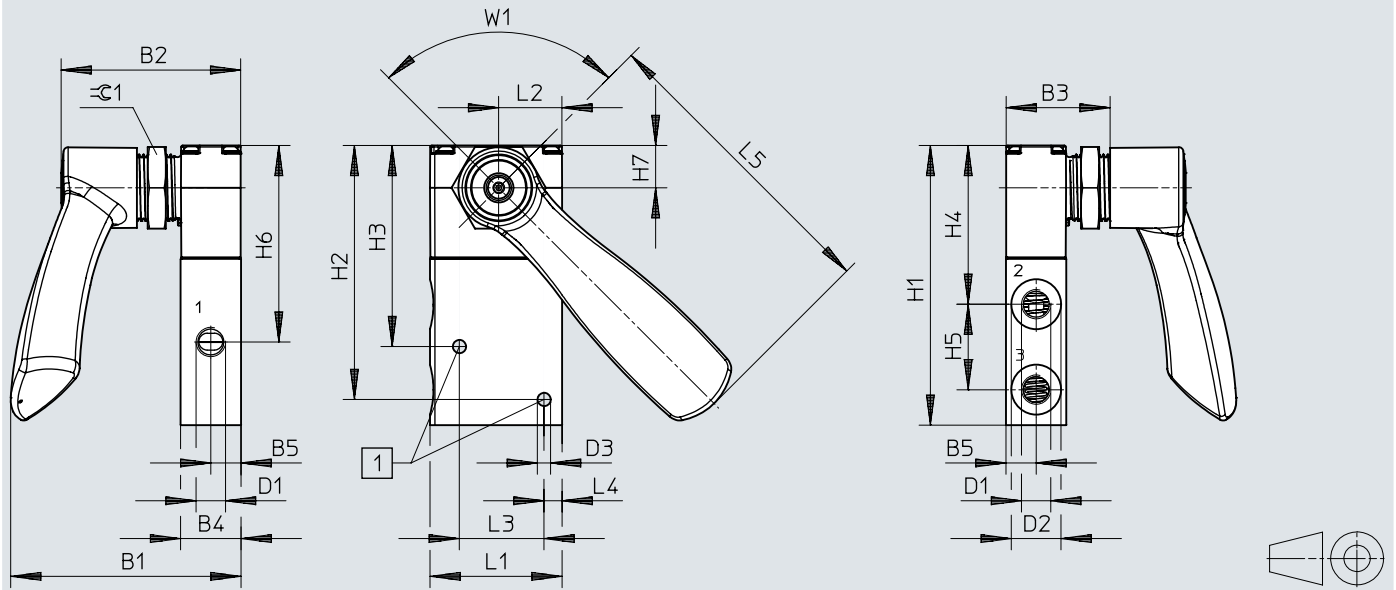
	B1	B2	B3	D1	D2 ø	L1	L2	L3	L4	L5	L6
VHEF-L-M52-M-N18	20	10	19,1	1/8 NPT	4,4	43,7	28	109,3	79,3	21	6
VHEF-L-M52-E-N18				1/8 NPT							
VHEF-L-M52-M-N14				1/4 NPT							
VHEF-L-M52-E-N14				1/4 NPT							

	H1	H2	H3	H4	H5	H6	H7	H8	H9	H10	H11
VHEF-L-M52-M-N18	120	67,7	60,5	37,5	77,5	35,8	19,6	17	18	13,2	9
VHEF-L-M52-E-N18					85,8						
VHEF-L-M52-M-N14	136,6	72	63,3	37,5	85,8	35,8	27,6	22,5	24,3	22,2	12,2
VHEF-L-M52-E-N14					85,8						

## Dimensions

Dimensions – 3/2-way valve, hand lever valve, sideways

Download CAD data [www.festo.com](http://www.festo.com)



[1] Mounting holes for M4 screws

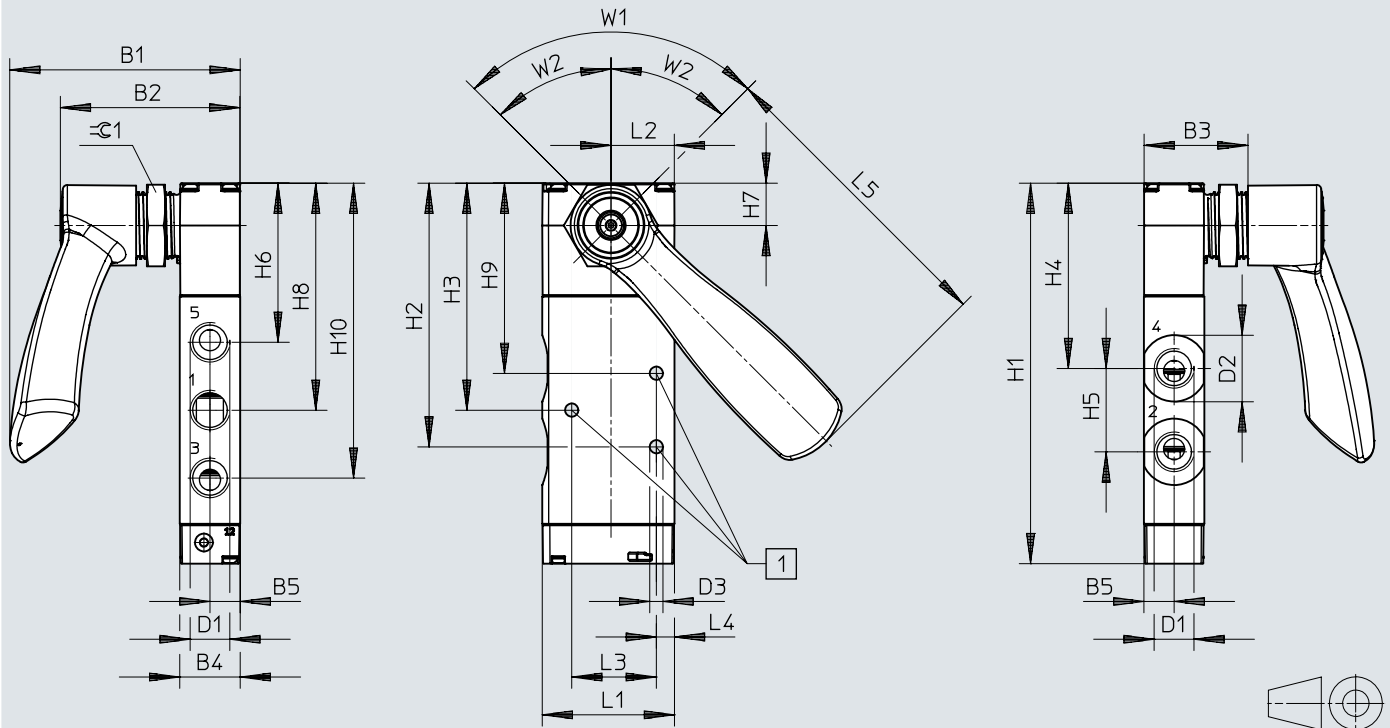
	B1	B2	B3	B4	B5	D1	D2 ∅	D3 ∅	H1	H2	H3
VHEF-HST...32...-N18	76,2	59,5	34,5	20	10	1/8 NPT	16,5	4,4	92,5	84	66,5
VHEF-HST...32...-N14						1/4 NPT	22				
	H4	H5	H6	H7	L1	L2	L3	L4	L5	W1	∠ 1
VHEF-HST...32...-N18	52,5	28,3	65	14	43,7	20,9	28	6	100,8	90°	SW27
VHEF-HST...32...-N14											



## Dimensions

Dimensions – 5/2- and 5/3-way valve, hand lever valve, sideways

Download CAD data [www.festo.com](http://www.festo.com)



- [1] Mounting holes for M4 screws
- [2] W1 angle 90° for 5/2-way valves (2 switching positions)
- [3] W2 angle 2x45° for 5/3-way valves (3 switching positions)

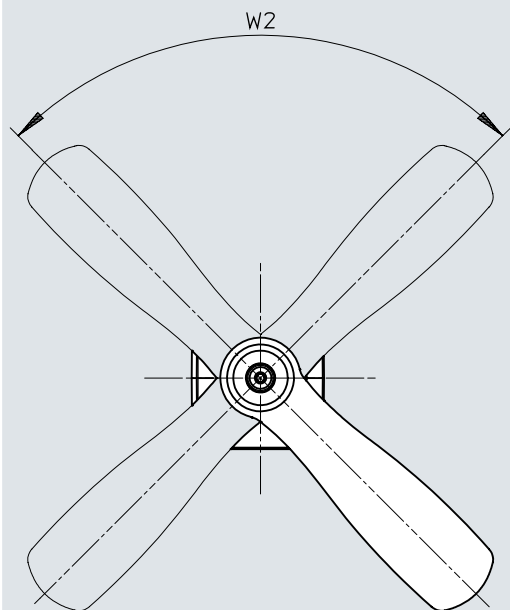
	B1	B2	B3	B4	B5	D1	D2 ∅	D3 ∅	H1	H2	H3	H4
VHEF-HS...52...-N18	76,2	59,5	34,5	20	10	1/8 NPT	16,5	4,4	109,4	75,9	66,9	57,1
VHEF-HS...53...-N18						1/8 NPT						
VHEF-HS...52...-N14						1/4 NPT	22	125,9	87,3	75,1	61,3	
VHEF-HS...53...-N14						1/4 NPT						

	H5	H6	H7	H8	H9	H10	L1	L2	L3	L4	W1	W2	≙ 1
VHEF-HS...52...-N18	19,6	49,9	14	66,9	57,9	83,9	43,7	20,9	28	6	90°	–	SW27
VHEF-HS...53...-N18				–	45°								
VHEF-HS...52...-N14	26,7	52,7	14	75,1	63	97,6	43,7	20,9	28	6	90°	–	
VHEF-HS...53...-N14				–	45°								

## Dimensions

Dimensions – VHEF-HST.../VHEF-HS...

Download CAD data [www.festo.com](http://www.festo.com)

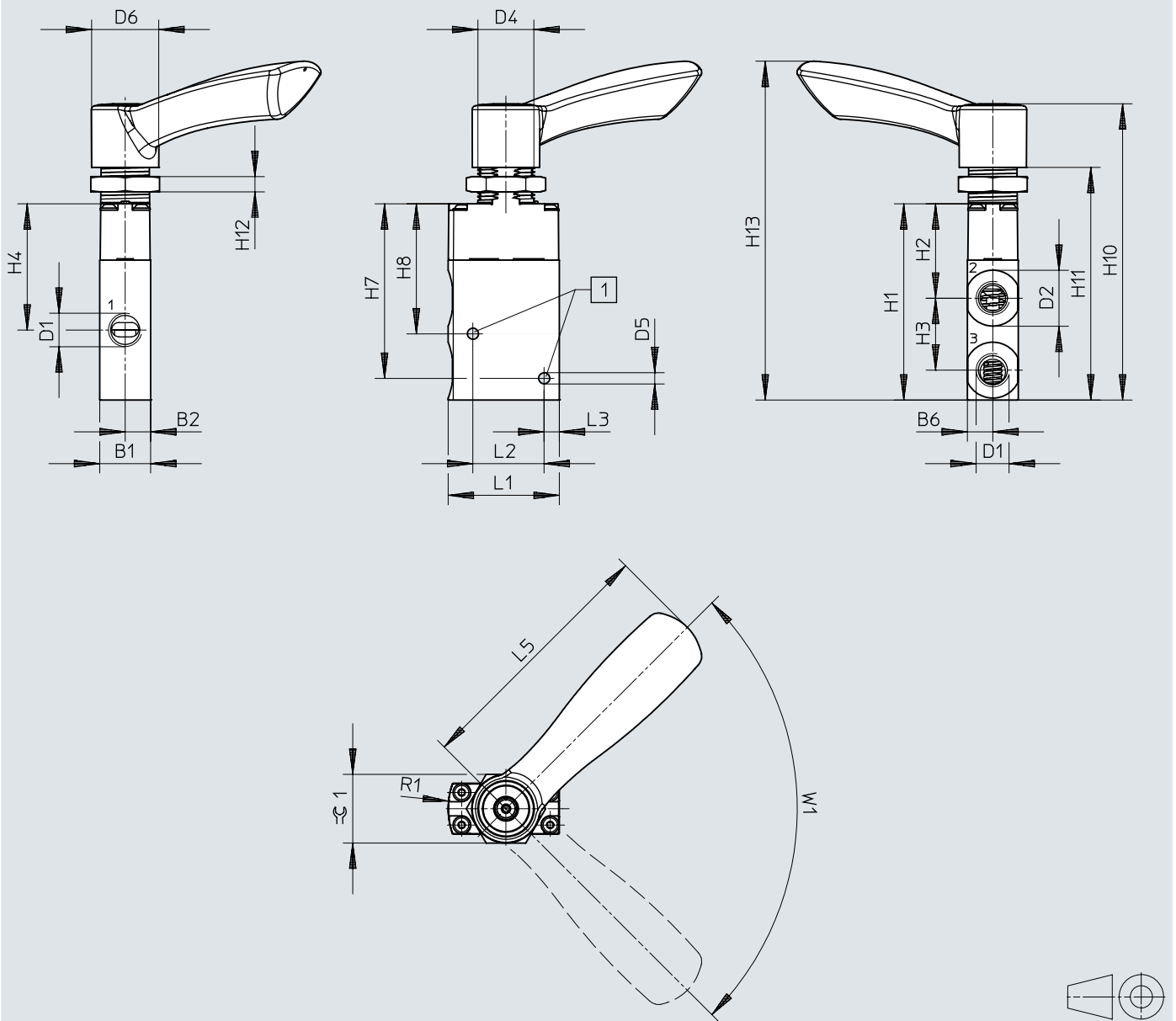


	W2
VHEF-HST...	90°
VHEF-HS...	

## Dimensions

Dimensions – 3/2-way valve, hand lever valve

Download CAD data [www.festo.com](http://www.festo.com)



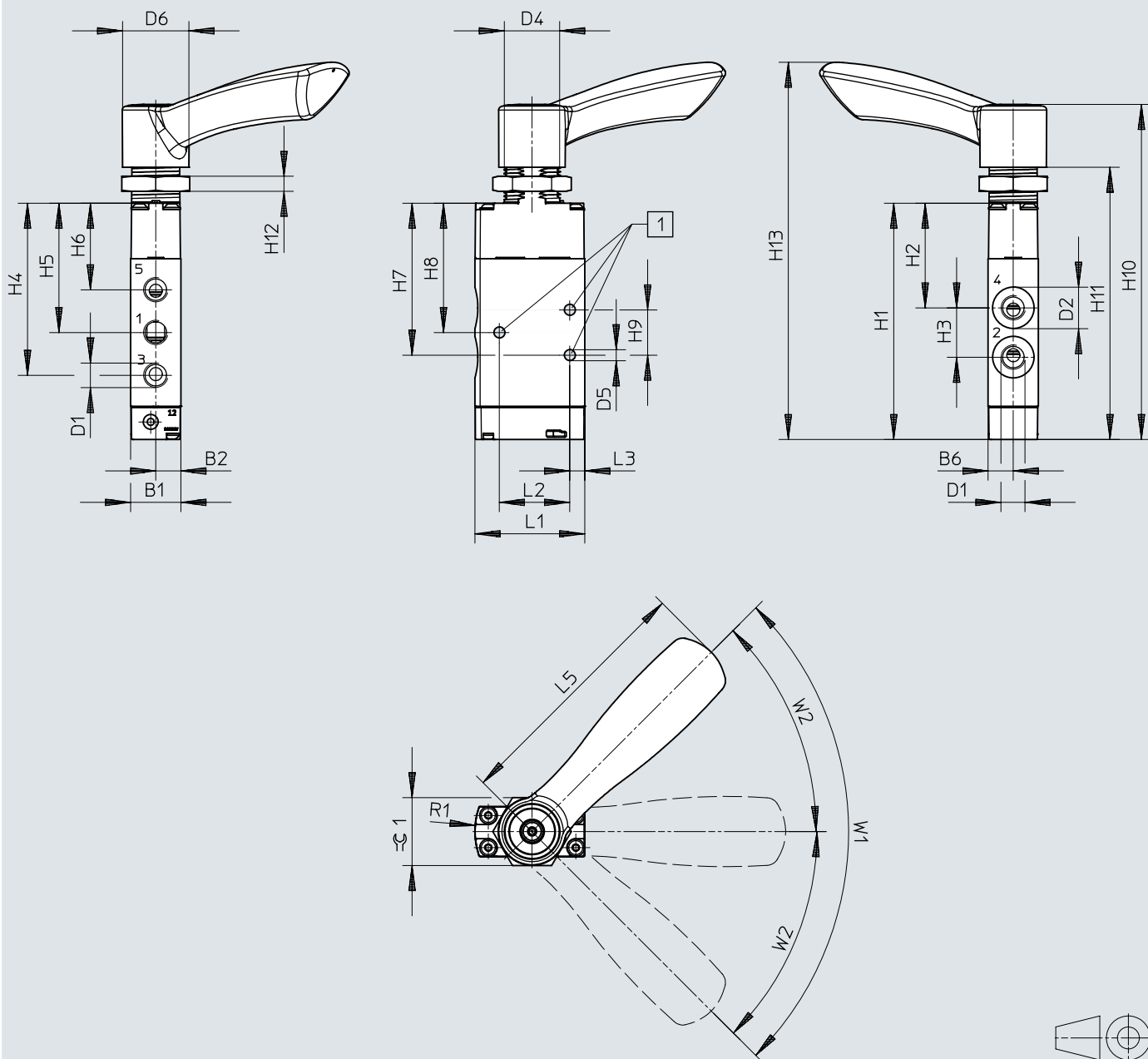
[1] Mounting holes for M4 screws

	B1	B2	B6	D1	D2 ∅	D4	D5 ∅	D6 ∅	H1	H2	H3	H4	H7
VHEF-HT...32...-N18	20	10	10	1/8 NPT	16,5	M22x1,5	4,4	26,4	77,1	37,1	28,3	49,6	68,6
VHEF-HT...32...-N14				1/4 NPT	22								
	H8	H10	H11	H12	H13	L1	L2	L3	L5	R1	W1	∅ 1	
VHEF-HT...32...-N18	51,1	116,4	91,4	6	133,1	43,7	28	6	100,9	30	90°	SW27	
VHEF-HT...32...-N14													

## Dimensions

Dimensions – 5/2- and 5/3-way valve, hand lever valve

Download CAD data [www.festo.com](http://www.festo.com)



- [1] Mounting holes for M4 screws
- [2] W1 angle 90° for 5/2-way valves (2 switching positions)
- [3] W2 angle 2x45° for 5/3-way valves (3 switching positions)

## Dimensions

	B1	B2	B6	D1	D2 ∅	D4	D5 ∅	D6 ∅	H1	H2	H3	H4	H5	H6
VHEF-H...52...-N18	20	10	10	1/8 NPT	16,5	M22x1,5	4,4	26,4	94	41,7	19,6	68,5	51,5	34,5
VHEF-H...53...-N18				1/8 NPT										
VHEF-H...52...-N14				1/4 NPT	22				110,5	45,9	27,6	82,2	59,7	37,3
VHEF-H...53...-N14				1/4 NPT										

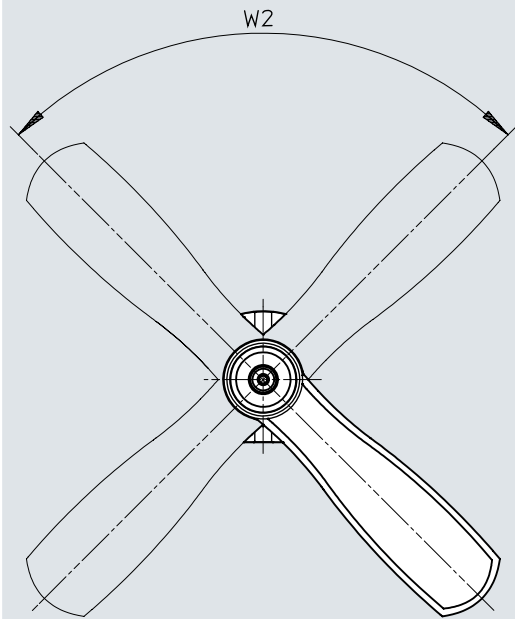
  

	H7	H8	H9	H10	H11	H12	H13	L1	L2	L3	L5	R1	W1	W2	≈G 1
VHEF-HS...52...-N18	60,5	51,5	18	133,3	108,3	6	150	43,7	28	6	100,9	30	90°	-	SW27
VHEF-HS...53...-N18													-	45°	
VHEF-HS...52...-N14	71,9	59,7	24,3	149,8	124,8	6	166,5						90°	-	
VHEF-HS...53...-N14													-	45°	

## Dimensions

Dimensions – VHEF-HT.../VHEF-HS...

Download CAD data [www.festo.com](http://www.festo.com)

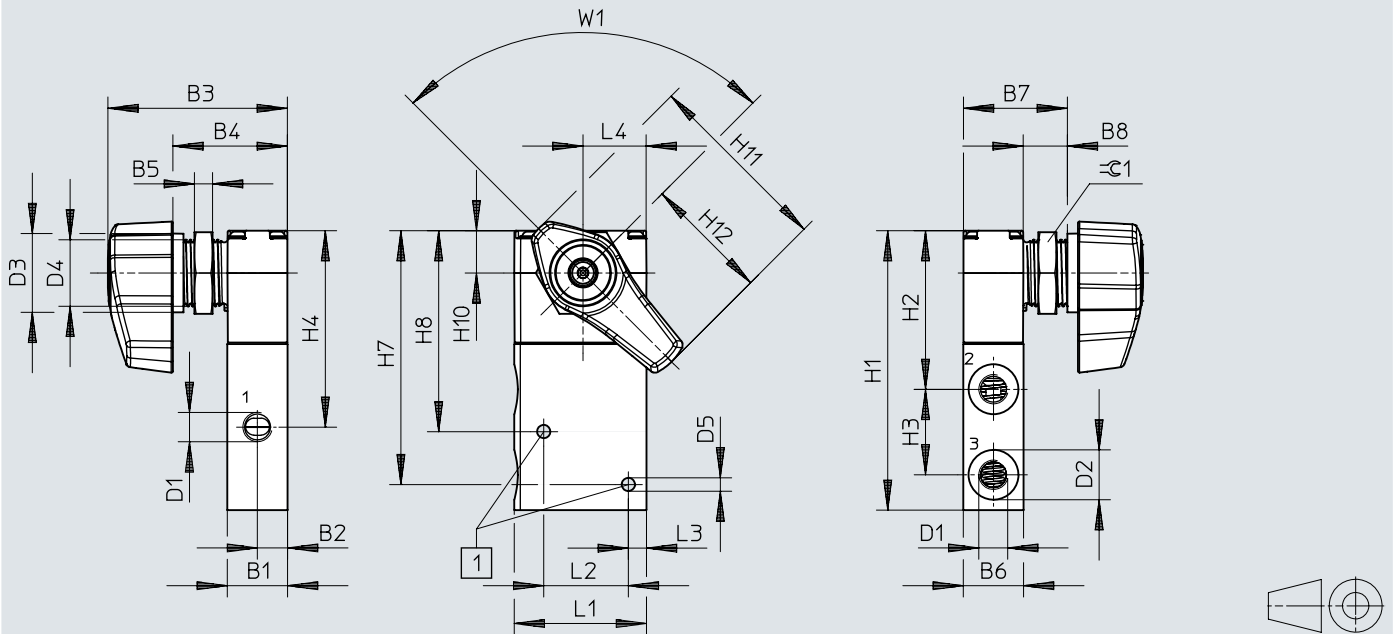


	W2
VHEF-HT...	
VHEF-HS...	90°

## Dimensions

Dimensions – 3/2-way valve, selector valve, sideways

Download CAD data [www.festo.com](http://www.festo.com)



[1] Mounting holes for M4 screws

	B1	B2	B3	B4	B5	B6	B7	B8	D1	D2 ∅	D3 ∅	D4	D5 ∅	H1
VHEF-EST...32...N18	20	10	59,4	38	6	10	34,5	14,6	1/8 NPT	16,5	26	M22x1,5	4,4	92,5
VHEF-EST...32...N14									1/4 NPT	22				

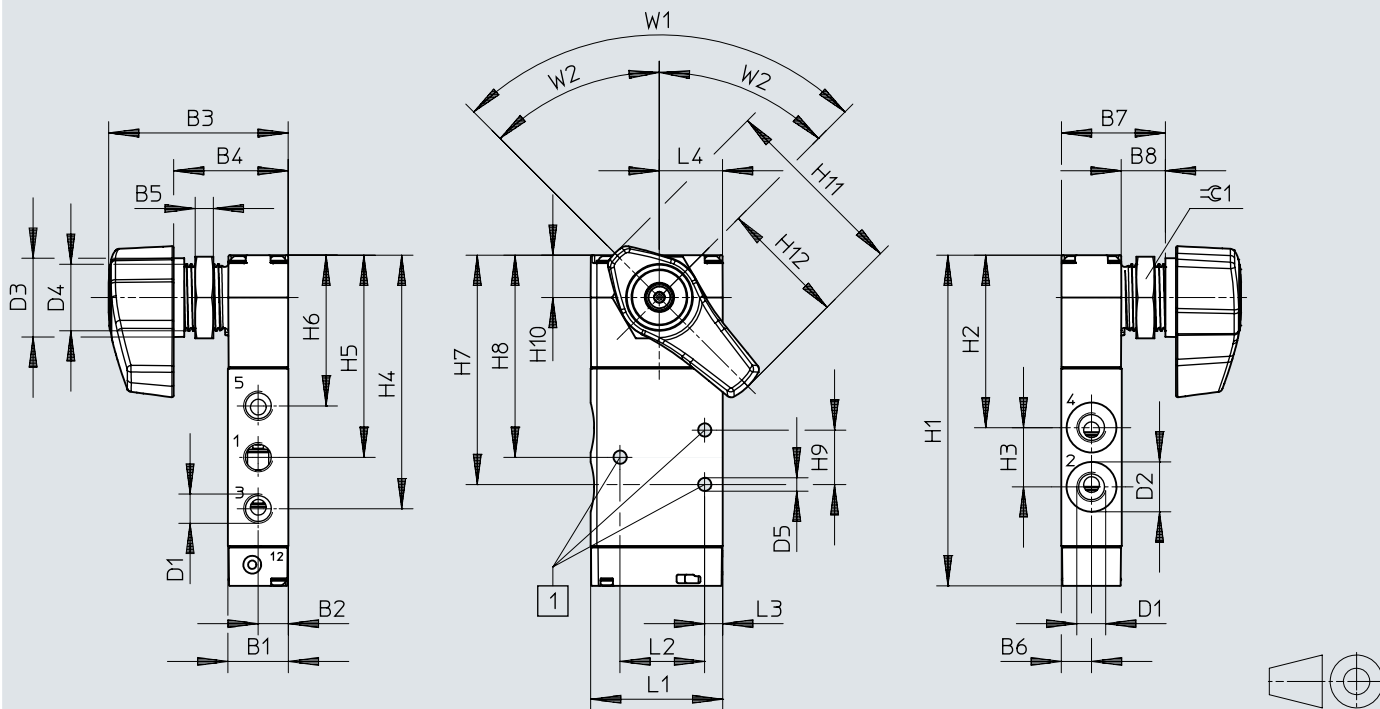
  

	H2	H3	H4	H7	H8	H10	H11	H12	L1	L2	L3	L4	W1	⊕1
VHEF-EST...32...N18	52,5	28,3	65	84	66,5	14	62,2	41,5	43,7	28	6	20,9	90°	SW27
VHEF-EST...32...N14														

## Dimensions

Dimensions – 5/2- and 5/3-way valve, selector valve, sideways

Download CAD data [www.festo.com](http://www.festo.com)



- [1] Mounting holes for M4 screws
- [2] W1 angle 90° for 5/2-way valves (2 switching positions)
- [3] W2 angle 2x45° for 5/3-way valves (3 switching positions)

	B1	B2	B3	B4	B5	B6	B7	B8	D1	D2	D3	D4	D5	H1	H2	H3
VHEF-ES...52...-N18	20	10	59,4	38	6	10	34,5	14,6	1/8 NPT	16,5	26	M22x1,5	4,4	109,4	57,1	19,6
VHEF-ES...53...-N18									1/8 NPT							
VHEF-ES...52...-N14									1/4 NPT	22						
VHEF-ES...53...-N14									1/4 NPT							

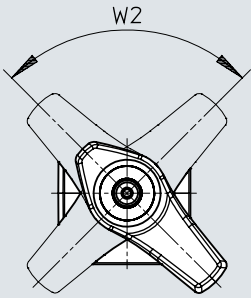
	H4	H5	H6	H7	H8	H9	H10	H11	H12	L1	L2	L3	L4	W1	W2	≅ 1
VHEF-ES...52...-N18	83,9	66,9	49,9	75,9	66,9	18	14	62,2	41,5	43,7	28	6	20,9	90°	-	SW27
VHEF-ES...53...-N18														-	45°	
VHEF-ES...52...-N14	97,6	75,1	52,7	87,3	75,1	24,3								90°	-	
VHEF-ES...53...-N14														-	45°	



## Dimensions

Dimensions – VHEF-EST.../VHEF-ES...

Download CAD data [www.festo.com](http://www.festo.com)

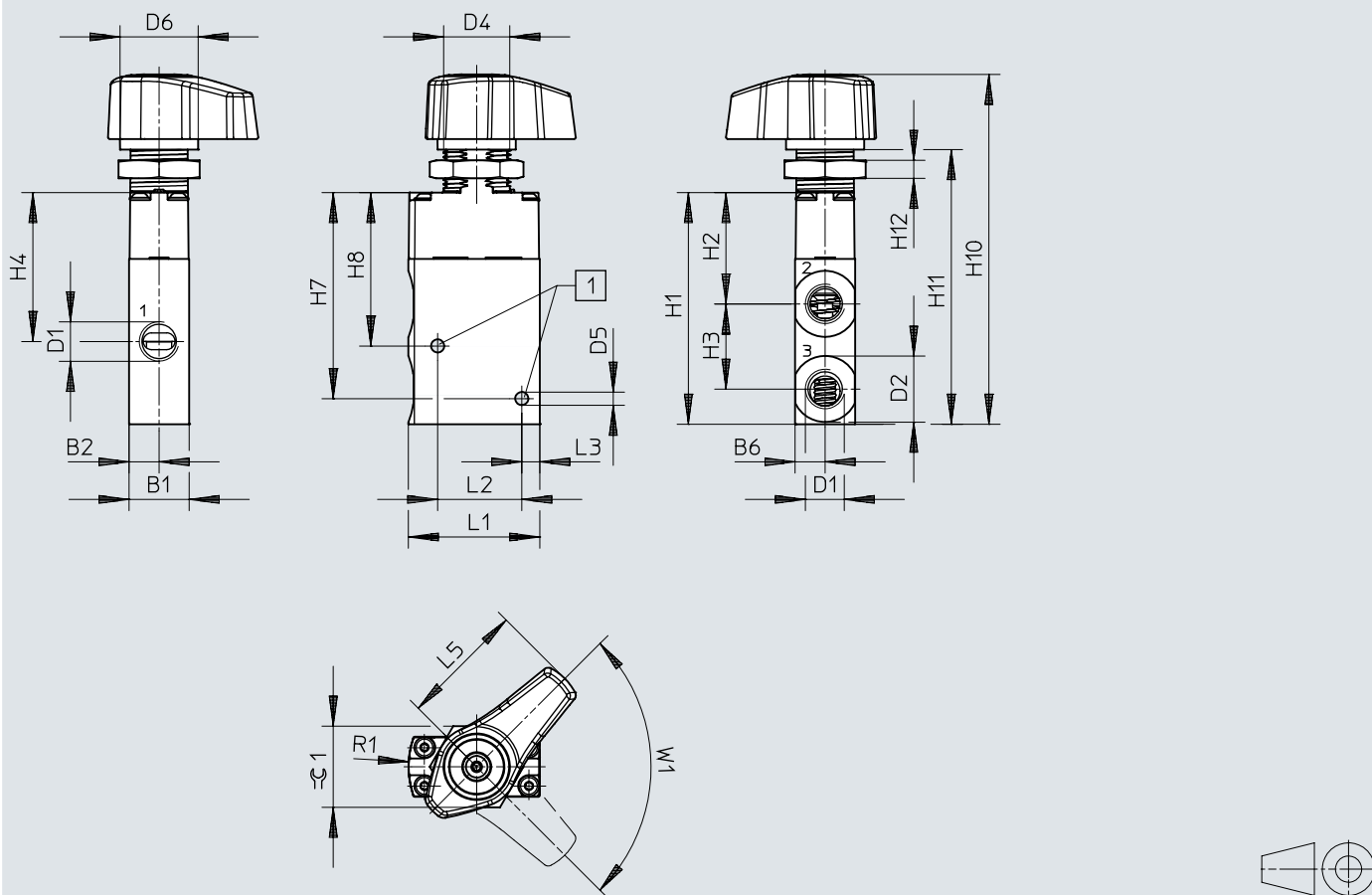


	W2
VHEF-EST...	90°

## Dimensions

Dimensions – 3/2-way valve, selector valve

Download CAD data [www.festo.com](http://www.festo.com)



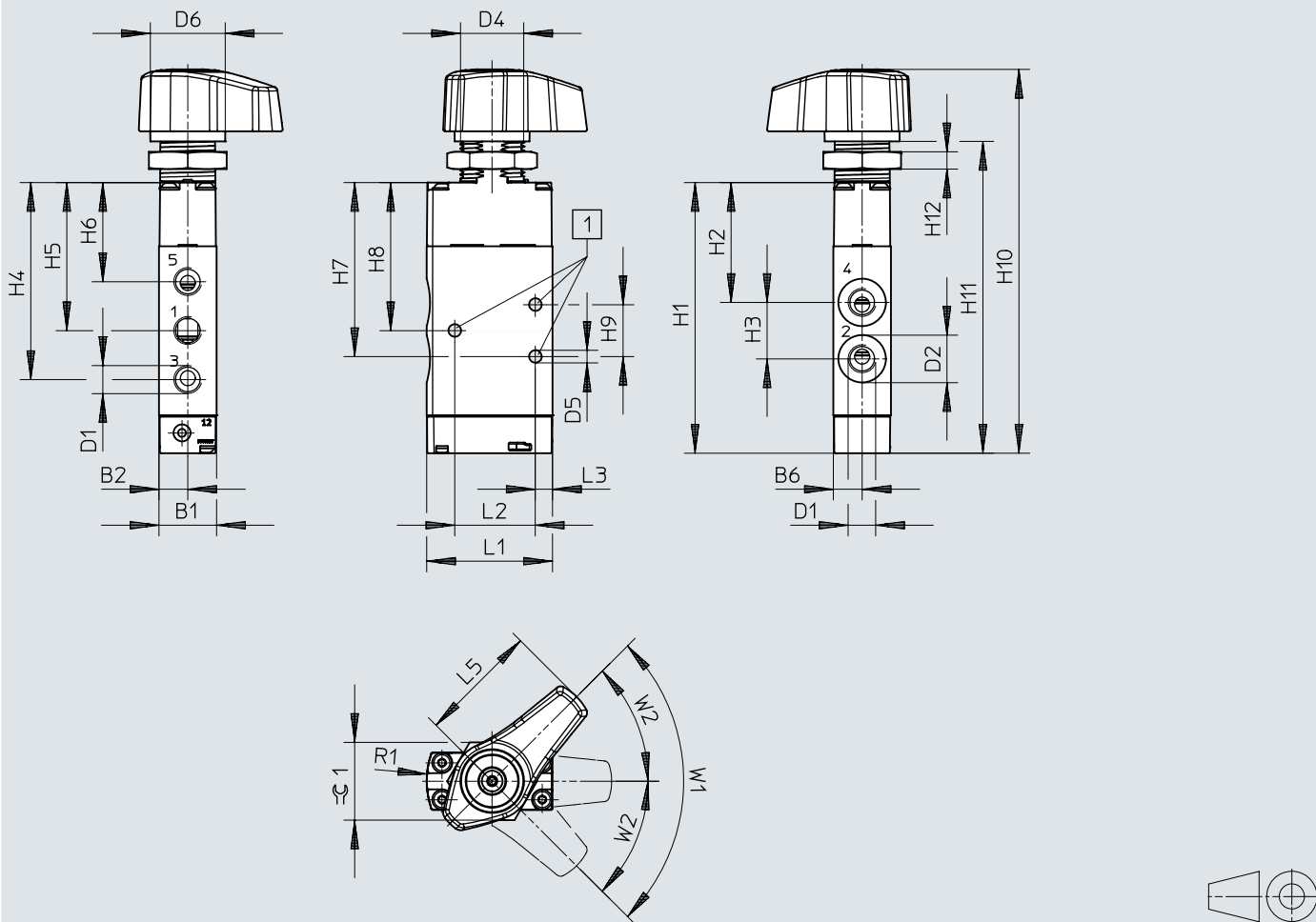
[1] Mounting holes for M4 screws

	B1	B2	B6	D1	D2 ∅	D4	D5 ∅	D6 ∅	H1	H2	H3	H4
VHEF-ET...32...N18	20	10	10	1/8 NPT	16,5	M22x1,5	4,4	26	77,1	37,1	28,3	49,6
VHEF-ET...32...N14				1/4 NPT	22							
	H7	H8	H10	H11	H12	L1	L2	L3	L5	R1	W1	≈ 1
VHEF-ET...32...N18	68,6	51,1	116,5	91,5	6	43,7	28	6	41,5	30	90°	SW27
VHEF-ET...32...N14												

## Dimensions

Dimensions – 5/2- and 5/3-way valve, selector valve

Download CAD data [www.festo.com](http://www.festo.com)



- [1] Mounting holes for M4 screws
- [2] W1 angle 90° for 5/2-way valves (2 switching positions)
- [3] W2 angle 2x45° for 5/3-way valves (3 switching positions)

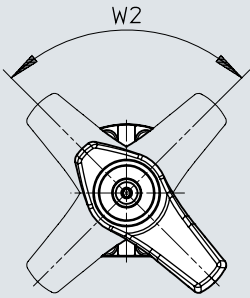
	B1	B2	B6	D1	D2 ∅	D4	D5 ∅	D6 ∅	H1	H2	H3	H4	H5	H6						
VHEF-E...52...-N18	20	10	10	1/8 NPT	16,5	M22x1,5	4,4	26	94	41,7	19,6	68,5	51,5	34,5						
VHEF-E...53...-N18				1/8 NPT																
VHEF-E...52...-N14				1/4 NPT	22										110,5	45,9	27,6	82,2	59,7	37,3
VHEF-E...53...-N14				1/4 NPT																

	H7	H8	H9	H10	H11	H12	L1	L2	L3	L5	R1	W1	W2	≅ 1
VHEF-E...52...-N18	60,5	51,5	18	133,3	108,3	6	43,7	28	6	41,5	30	90°	-	SW27
VHEF-E...53...-N18												-	45°	
VHEF-E...52...-N14	71,9	59,7	24,3	149,8	124,8							90°	-	
VHEF-E...53...-N14												-	45°	

## Dimensions

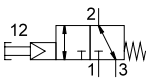
Dimensions – VHEF-ET.../VHEF-E..

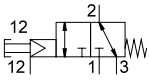
Download CAD data [www.festo.com](http://www.festo.com)

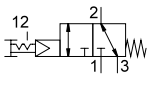


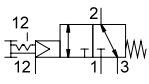
	W2
VHEF-ET...	90°
VHEF-E...	

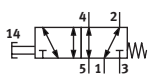
## Ordering data

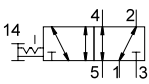
Pushbutton valve, 3/2-way valve, monostable, normally closed or open, reset via mechanical spring, pneumatically pilot controlled, internal pilot air						
	Valve function	Standard nominal flow rate (standardised to DIN 1343)	Pilot air	Product weight	Part no.	Type
	5/3 exhausted	530 l/min	Internal	235 g	8080990	VHEF-E-P53E-M-N18
		750 l/min		268 g	8080989	VHEF-E-P53E-M-N14

Pushbutton valve, 3/2-way valve, monostable, normally closed or open, reset via mechanical spring, vacuum compatible, pneumatically pilot controlled, external pilot air						
	Valve function	Standard nominal flow rate (standardised to DIN 1343)	Pilot air	Product weight	Part no.	Type
	3/2-way, monostable, open/closed	750 l/min	External	168 g	5299718	VHEF-PTCZ-M32-M-N18
		870 l/min		161 g	5299724	VHEF-PTCZ-M32-M-N14

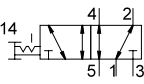
Pushbutton valve, 3/2-way valve, bistable, normally closed or open, reset via mechanical spring, pneumatically pilot controlled, internal pilot air						
	Valve function	Standard nominal flow rate (standardised to DIN 1343)	Pilot air	Product weight	Part no.	Type
	3/2 double solenoid	750 l/min	Internal	168 g	5299719	VHEF-PTC-B32-N18
		870 l/min		161 g	5299725	VHEF-PTC-B32-N14

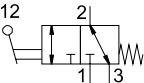
Pushbutton valve, 3/2-way valve, bistable, normally closed or open, reset via mechanical spring, vacuum compatible, pneumatically pilot operated, external pilot air						
	Valve function	Standard nominal flow rate (standardised to DIN 1343)	Pilot air	Product weight	Part no.	Type
	3/2 double solenoid	750 l/min	External	168 g	5299720	VHEF-PTCZ-B32-N18
		870 l/min		161 g	5299726	VHEF-PTCZ-B32-N14

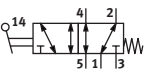
Pushbutton valve, 5/2-way valve, monostable, reset via mechanical spring, vacuum compatible						
	Valve function	Standard nominal flow rate (standardised to DIN 1343)	Pilot air	Product weight	Part no.	Type
	5/2-way, monostable	750 l/min	Internal	182 g	5299721	VHEF-P-M52-M-N18
		1,200 l/min		215 g	5299727	VHEF-P-M52-M-N14

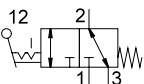
Pushbutton valve, 5/2-way valve, bistable, vacuum compatible						
	Valve function	Standard nominal flow rate (standardised to DIN 1343)	Pilot air	Product weight	Part no.	Type
	5/2 double solenoid	750 l/min	Internal	182 g	5299722	VHEF-P-B52-N18

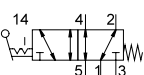
## Ordering data

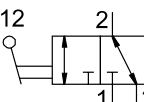
Pushbutton valve, 5/2-way valve, bistable, vacuum compatible						
	Valve function	Standard nominal flow rate (standardised to DIN 1343)	Pilot air	Product weight	Part no.	Type
	5/2 double solenoid	1,200 l/min	Internal	215 g	<b>5299728</b>	<b>VHEF-P-B52-N14</b>

Toggle lever valve, 3/2-way valve, monostable, normally closed or open, reset via mechanical spring, vacuum compatible, pneumatically pilot controlled, internal pilot air						
	Valve function	Standard nominal flow rate (standardised to DIN 1343)	Pilot air	Product weight	Part no.	Type
	3/2-way, monostable, open/closed	750 l/min	Internal	174 g	<b>5300044</b>	<b>VHEF-VT-M32-M-N18</b>
		870 l/min		181 g	<b>5300046</b>	<b>VHEF-VT-M32-M-N14</b>

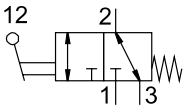
Toggle lever valve, 5/2-way valve, monostable, reset via mechanical spring, vacuum compatible						
	Valve function	Standard nominal flow rate (standardised to DIN 1343)	Pilot air	Product weight	Part no.	Type
	5/2-way, monostable	750 l/min	Internal	208 g	<b>5300040</b>	<b>VHEF-V-M52-M-N18</b>
		1,200 l/min		240 g	<b>5300042</b>	<b>VHEF-V-M52-M-N14</b>

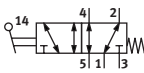
Toggle lever valve, 3/2-way valve, bistable, normally closed or open, reset via mechanical spring, vacuum compatible, pneumatically pilot controlled, internal pilot air						
	Valve function	Standard nominal flow rate (standardised to DIN 1343)	Pilot air	Product weight	Part no.	Type
	3/2 double solenoid	750 l/min	Internal	174 g	<b>5300045</b>	<b>VHEF-VT-B32-N18</b>
		870 l/min		181 g	<b>5300047</b>	<b>VHEF-VT-B32-N14</b>

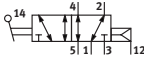
Toggle lever valve, 5/2-way valve, bistable, reset via mechanical spring, vacuum compatible						
	Valve function	Standard nominal flow rate (standardised to DIN 1343)	Pilot air	Product weight	Part no.	Type
	5/2 double solenoid	750 l/min	Internal	208 g	<b>5300041</b>	<b>VHEF-V-B52-N18</b>
		1,200 l/min		240 g	<b>5300043</b>	<b>VHEF-V-B52-N14</b>

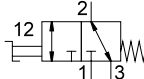
Finger lever valve, 3/2-way valve, monostable, normally closed or open, reset via mechanical spring, vacuum compatible, pneumatically pilot controlled, internal pilot air						
	Valve function	Standard nominal flow rate (standardised to DIN 1343)	Pilot air	Product weight	Part no.	Type
	3/2-way, monostable, open/closed	750 l/min	Internal	156 g	<b>4500011</b>	<b>VHEF-LT-M32-M-N18</b>

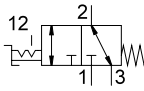
## Ordering data

Finger lever valve, 3/2-way valve, monostable, normally closed or open, reset via mechanical spring, vacuum compatible, pneumatically pilot controlled, internal pilot air						
	Valve function	Standard nominal flow rate (standardised to DIN 1343)	Pilot air	Product weight	Part no.	Type
	3/2-way, monostable, open/closed	870 l/min	Internal	150 g	<b>4500010</b>	<b>VHEF-LT-M32-M-N14</b>

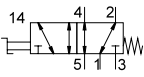
Finger lever valve, 5/2-way valve, monostable, reset via mechanical spring, vacuum compatible						
	Valve function	Standard nominal flow rate (standardised to DIN 1343)	Pilot air	Product weight	Part no.	Type
	5/2-way, monostable	750 l/min	Internal	185 g	<b>4500003</b>	<b>VHEF-L-M52-M-N18</b>
1,200 l/min		218 g		<b>4500002</b>	<b>VHEF-L-M52-M-N14</b>	

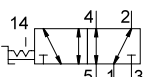
Finger lever valve, 5/2-way valve, monostable, reset via pneumatic spring, vacuum compatible						
	Valve function	Standard nominal flow rate (standardised to DIN 1343)	Pilot air	Product weight	Part no.	Type
	5/2-way, monostable	750 l/min	Internal	184 g	<b>4500007</b>	<b>VHEF-L-M52-E-N18</b>
1,200 l/min		217 g		<b>4500006</b>	<b>VHEF-L-M52-E-N14</b>	

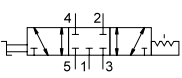
Hand lever valve, selector valve, 3/2-way valve, monostable, normally closed or open, reset via mechanical spring, vacuum compatible						
	Valve function	Standard nominal flow rate (standardised to DIN 1343)	Pilot air	Product weight	Part no.	Type
	3/2-way, monostable, open/closed	750 l/min	Internal	206 g	<b>4414806</b>	<b>VHEF-EST-M32-M-N18</b>
					<b>8080970</b>	<b>VHEF-ET-M32-M-N18</b>
		236 g		<b>8080938</b>	<b>VHEF-HT-M32-M-N18</b>	
				<b>4414853</b>	<b>VHEF-HST-M32-M-N18</b>	
		200 g		<b>8080969</b>	<b>VHEF-ET-M32-M-N14</b>	
				<b>4414807</b>	<b>VHEF-EST-M32-M-N14</b>	
		230 g		<b>8080937</b>	<b>VHEF-HT-M32-M-N14</b>	
	<b>4414854</b>	<b>VHEF-HST-M32-M-N14</b>				
		870 l/min				

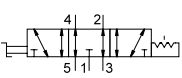
Hand lever valve, selector valve, 3/2-way valve, bistable, normally closed or open, reset via mechanical spring, vacuum compatible									
	Valve function	Standard nominal flow rate (standardised to DIN 1343)	Pilot air	Product weight	Part no.	Type			
	3/2 double solenoid	750 l/min	Internal	206 g	<b>4414814</b>	<b>VHEF-EST-B32-N18</b>			
					<b>8080966</b>	<b>VHEF-ET-B32-N18</b>			
		236 g		<b>8080942</b>	<b>VHEF-HT-B32-N18</b>				
				<b>4414861</b>	<b>VHEF-HST-B32-N18</b>				
		200 g		<b>8080965</b>	<b>VHEF-ET-B32-N14</b>				
				<b>4414815</b>	<b>VHEF-EST-B32-N14</b>				
		230 g		<b>8080941</b>	<b>VHEF-HT-B32-N14</b>				
				<b>4414862</b>	<b>VHEF-HST-B32-N14</b>				
					870 l/min				

## Ordering data

Hand lever valve, selector valve, 5/2-way valve, monostable, reset via mechanical spring, vacuum compatible						
	Valve function	Standard nominal flow rate (standardised to DIN 1343)	Pilot air	Product weight	Part no.	Type
	5/2-way, monostable	750 l/min	Internal	235 g	4414808	VHEF-ES-M52-M-N18
					8080974	VHEF-E-M52-M-N18
		1,200 l/min		265 g	4414855	VHEF-HS-M52-M-N18
					8080935	VHEF-H-M52-M-N18
				268 g	4414809	VHEF-ES-M52-M-N14
					8080973	VHEF-E-M52-M-N14
298 g	4414856	VHEF-HS-M52-M-N14				
	8081005	VHEF-H-M52-M-N14				

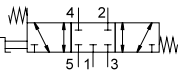
Hand lever valve, selector valve, 5/2-way valve, bistable, vacuum compatible						
	Valve function	Standard nominal flow rate (standardised to DIN 1343)	Pilot air	Product weight	Part no.	Type
	5/2 double solenoid	750 l/min	Internal	235 g	4414816	VHEF-ES-B52-N18
					8080962	VHEF-E-B52-N18
		1,200 l/min		265 g	8080933	VHEF-H-B52-N18
					4414863	VHEF-HS-B52-N18
				268 g	4414817	VHEF-ES-B52-N14
					8080961	VHEF-E-B52-N14
298 g	8080934	VHEF-H-B52-N14				
	4414864	VHEF-HS-B52-N14				

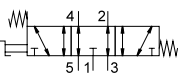
Hand lever valve, selector valve, 5/3-way valve, mid-position closed, vacuum compatible						
	Valve function	Standard nominal flow rate (standardised to DIN 1343)	Pilot air	Product weight	Part no.	Type
	5/3 closed	700 l/min	Internal	235 g	8080978	VHEF-E-B53C-N18
					4414818	VHEF-ES-B53C-N18
		1,200 l/min		265 g	4414865	VHEF-HS-B53C-N18
					8080946	VHEF-H-B53C-N18
				268 g	8080977	VHEF-E-B53C-N14
					4414819	VHEF-ES-B53C-N14
298 g	8080944	VHEF-H-B53C-N14				
	4414866	VHEF-HS-B53C-N14				

Hand lever valve, selector valve, 5/3-way valve, mid-position pressurised (exhausted), vacuum compatible						
	Valve function	Standard nominal flow rate (standardised to DIN 1343)	Pilot air	Product weight	Part no.	Type
	5/3 exhausted	530 l/min	Internal	235 g	4414820	VHEF-ES-B53E-N18
					8080982	VHEF-E-B53E-N18
		750 l/min		265 g	8080950	VHEF-H-B53E-N18
					4414867	VHEF-HS-B53E-N18
				268 g	8080981	VHEF-E-B53E-N14
				298 g	8080949	VHEF-H-B53E-N14
900 l/min	268 g	4414821	VHEF-ES-B53E-N14			
	298 g	4414868	VHEF-HS-B53E-N14			



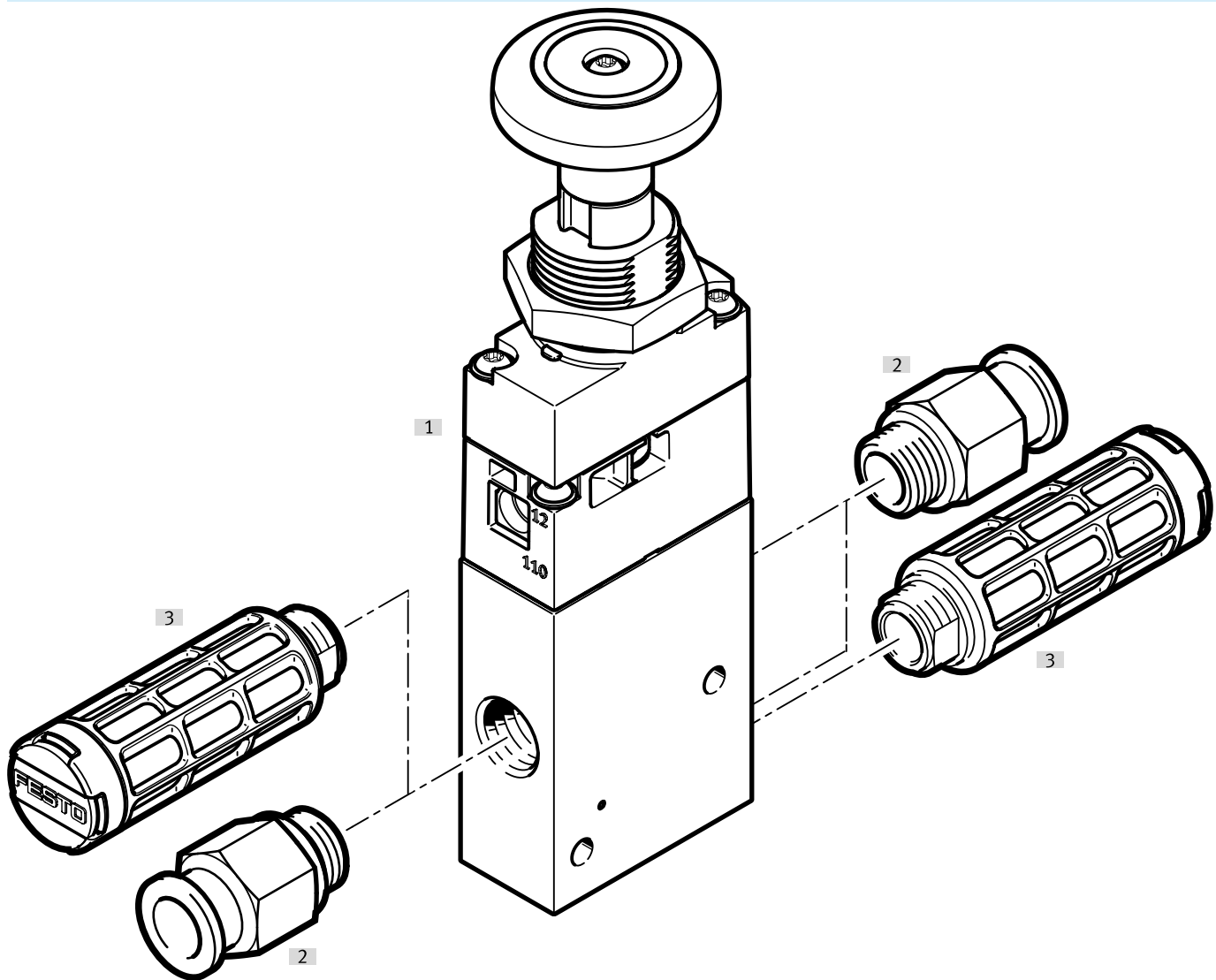
## Ordering data

Hand lever valve, selector valve, 5/3-way valve, mid-position closed, reset via mechanical spring, vacuum compatible							
	Valve function	Standard nominal flow rate (standardised to DIN 1343)	Pilot air	Product weight	Part no.	Type	
	5/3 closed	700 l/min	Internal	235 g	4414810	VHEF-ES-P53C-M-N18	
					8080986	VHEF-E-P53C-M-N18	
				265 g	8080954	VHEF-H-P53C-M-N18	
					4414857	VHEF-HS-P53C-M-N18	
				1,200 l/min	268 g	4414811	VHEF-ES-P53C-M-N14
					8080985	VHEF-E-P53C-M-N14	
					298 g	4414858	VHEF-HS-P53C-M-N14
						8080953	VHEF-H-P53C-M-N14

Hand lever valve, selector valve, 5/3-way valve, mid-position pressurised (exhausted), reset via mechanical spring, vacuum compatible							
	Valve function	Standard nominal flow rate (standardised to DIN 1343)	Pilot air	Product weight	Part no.	Type	
	5/3 exhausted	530 l/min	Internal	235 g	4414812	VHEF-ES-P53E-M-N18	
					8080990	VHEF-E-P53E-M-N18	
				265 g	4414859	VHEF-HS-P53E-M-N18	
					8080958	VHEF-H-P53E-M-N18	
				750 l/min	268 g	8080989	VHEF-E-P53E-M-N14
					298 g	8080957	VHEF-H-P53E-M-N14
				900 l/min	268 g	4414813	VHEF-ES-P53E-M-N14
					298 g	4414860	VHEF-HS-P53E-M-N14

## Peripherals

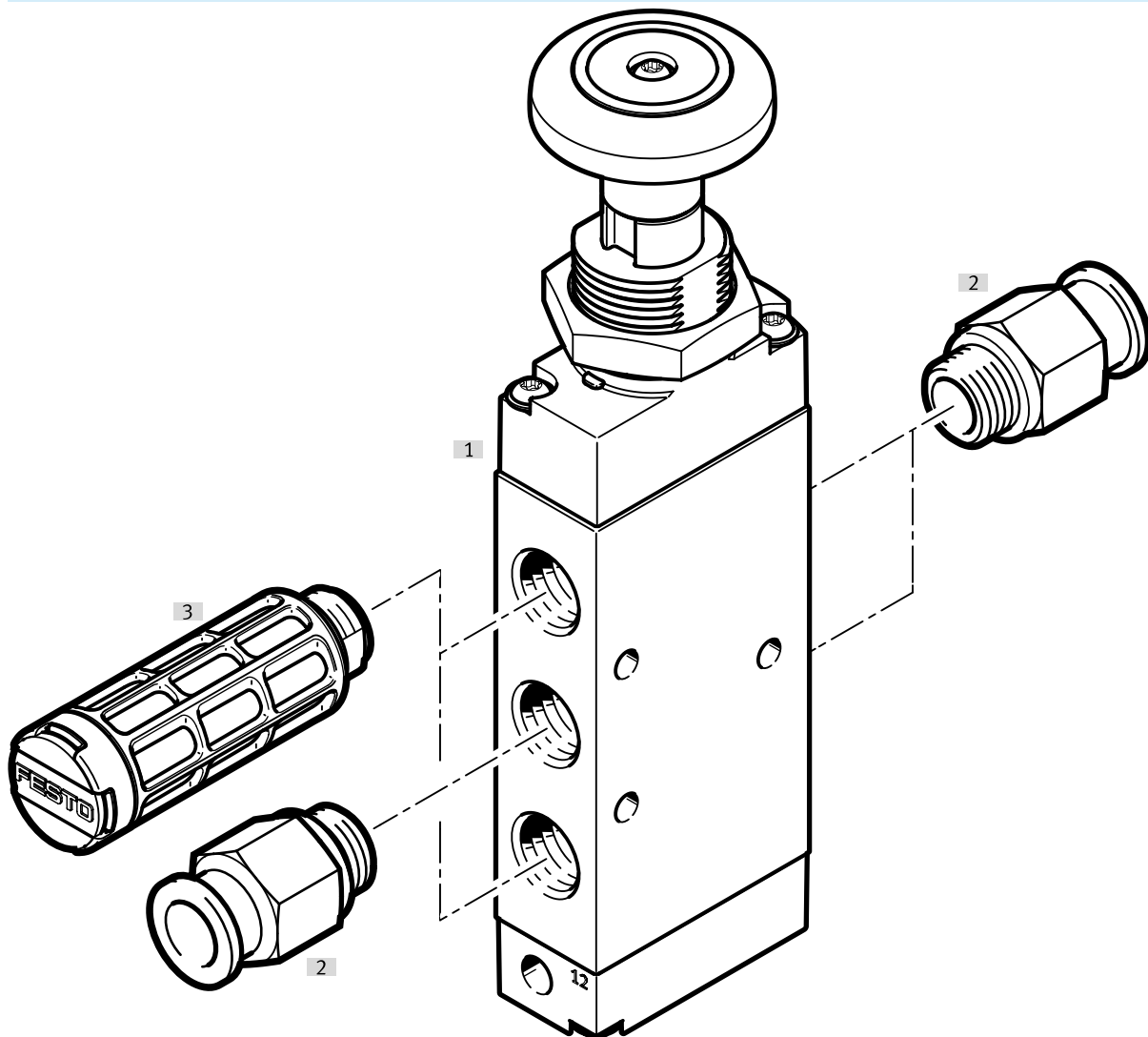
### Peripherals overview for pushbutton valve, manually operated 3/2



Accessories			→ Link
Type/order code	Description		
[1] 3/2-way valve	VHEF-PTC-M32..., VHEF-PTCZ-M32...		<a href="#">vhef</a>
[2] Fitting	For working air/exhaust air connections (1, 3, 5) and working connections (2, 4)		
[3] Silencer	For exhaust air connections (3, 5)		

## Peripherals

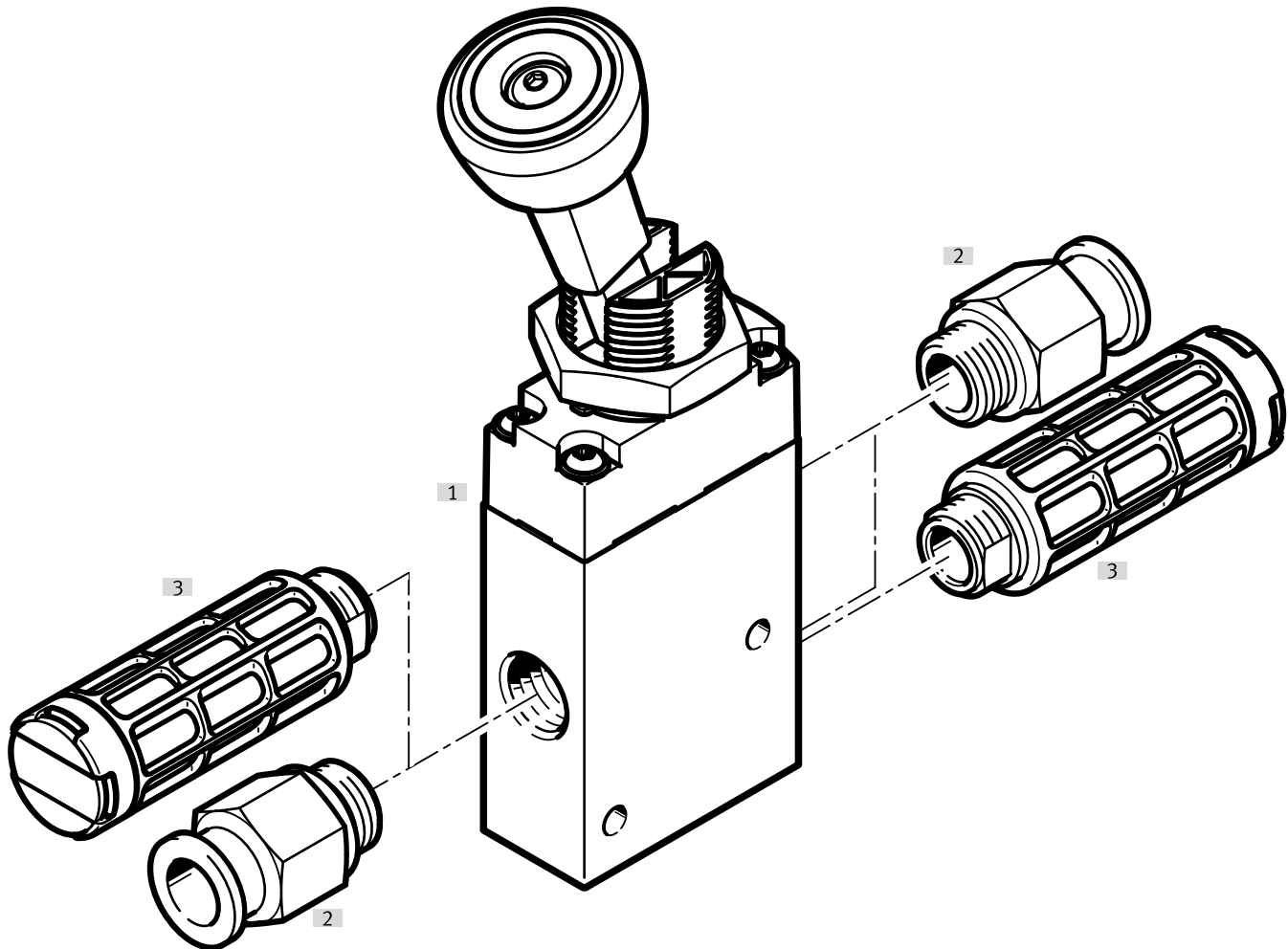
## Peripherals overview for pushbutton valve, manually operated 5/2



Accessories		→ Link
Type/order code	Description	
[1] 5/2-way valve	VHEF-P-M52...	<a href="#">vhef</a>
[2] Fitting	For working air/exhaust air connections (1, 3, 5) and working connections (2, 4)	
[3] Silencer	For exhaust air connections (3, 5)	

## Peripherals

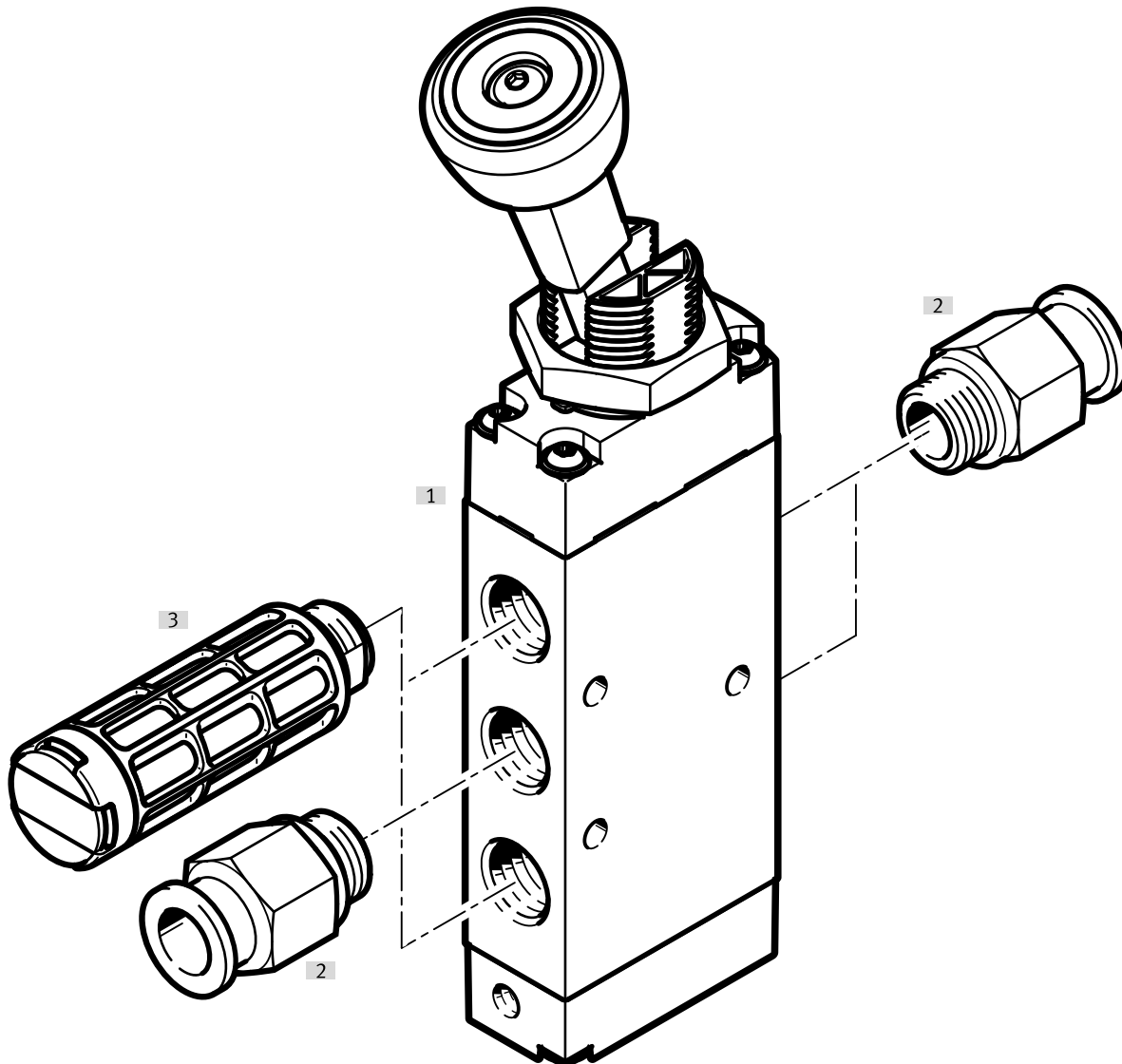
### Peripherals overview for toggle lever valve, manually operated 3/2



Accessories		→ Link
Type/order code	Description	
[1] 3/2-way valve	VHEF-VT-M32... , VHEF-VT-B32...	<a href="#">vhef</a>
[2] Fitting	For working air/exhaust air connections (1, 3, 5) and working connections (2, 4)	
[3] Silencer	For exhaust air connections (3, 5)	

## Peripherals

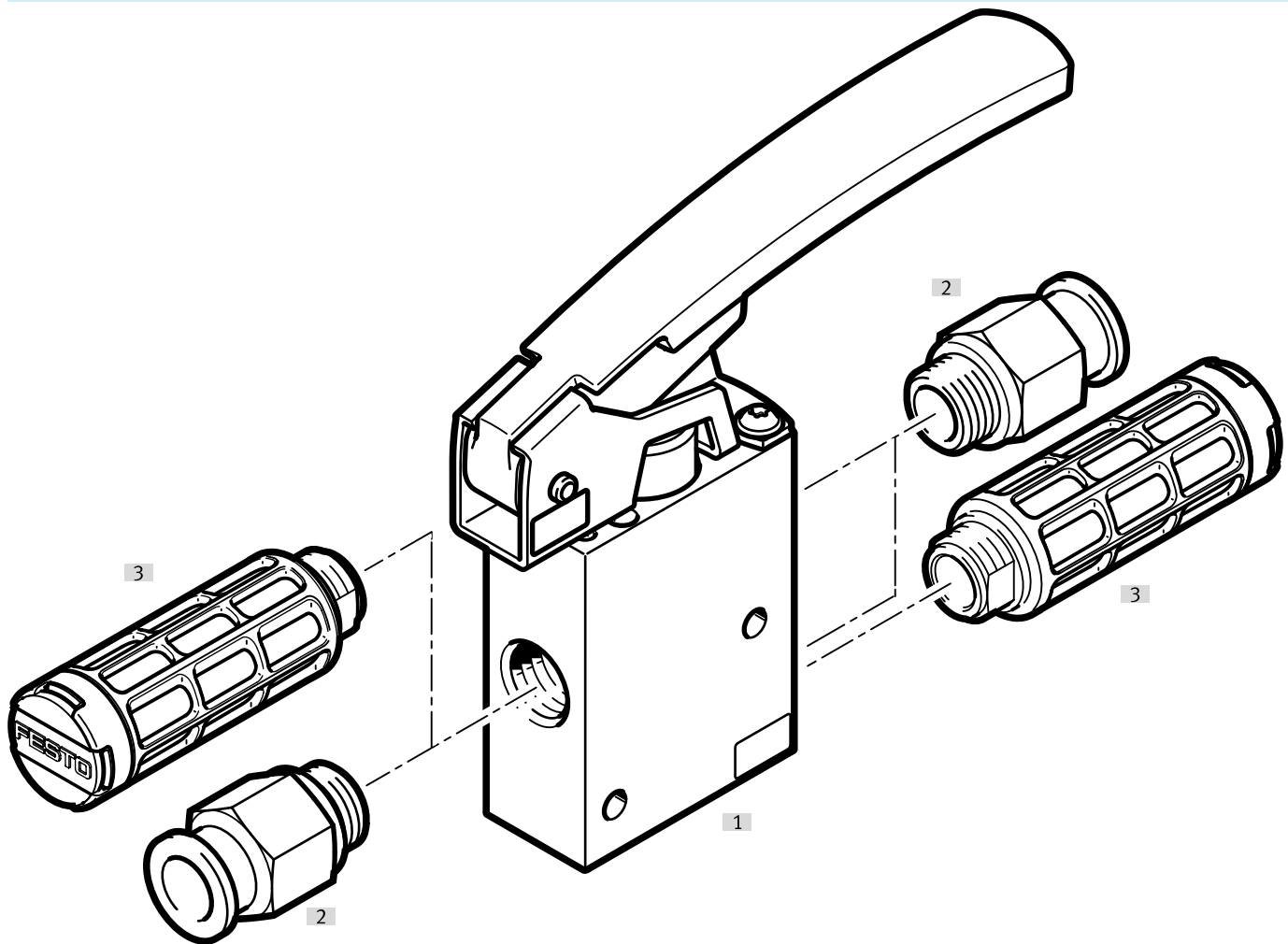
## Peripherals overview for toggle lever valve, manually operated 5/2



Accessories		→ Link
Type/order code	Description	
[1] 5/2-way valve	VHEF-V-M52... , VHEF-V-B52...	<a href="#">vhef</a>
[2] Fitting	For working air/exhaust air connections (1, 3, 5) and working connections (2, 4)	
[3] Silencer	For exhaust air connections (3, 5)	

## Peripherals

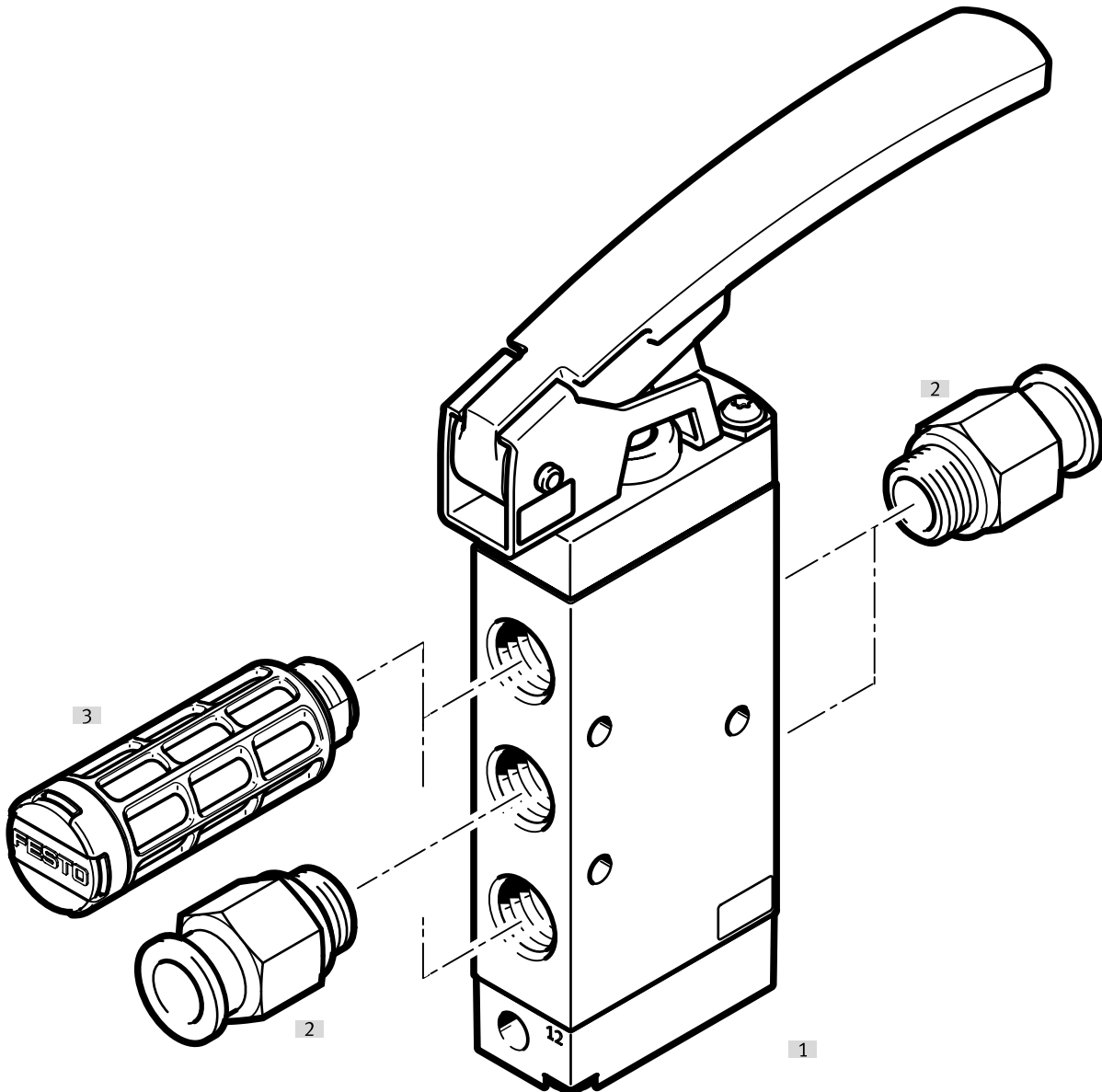
### Peripherals overview for finger lever valve, manually operated 3/2



Accessories			→ Link
Type/order code	Description		
[1] 3/2-way valve	VHEF-LT-M32...		<a href="#">vhef</a>
[2] Fitting	For working air/exhaust air connections (1, 3, 5) and working connections (2, 4)		
[3] Silencer	For exhaust air connections (3, 5)		

## Peripherals

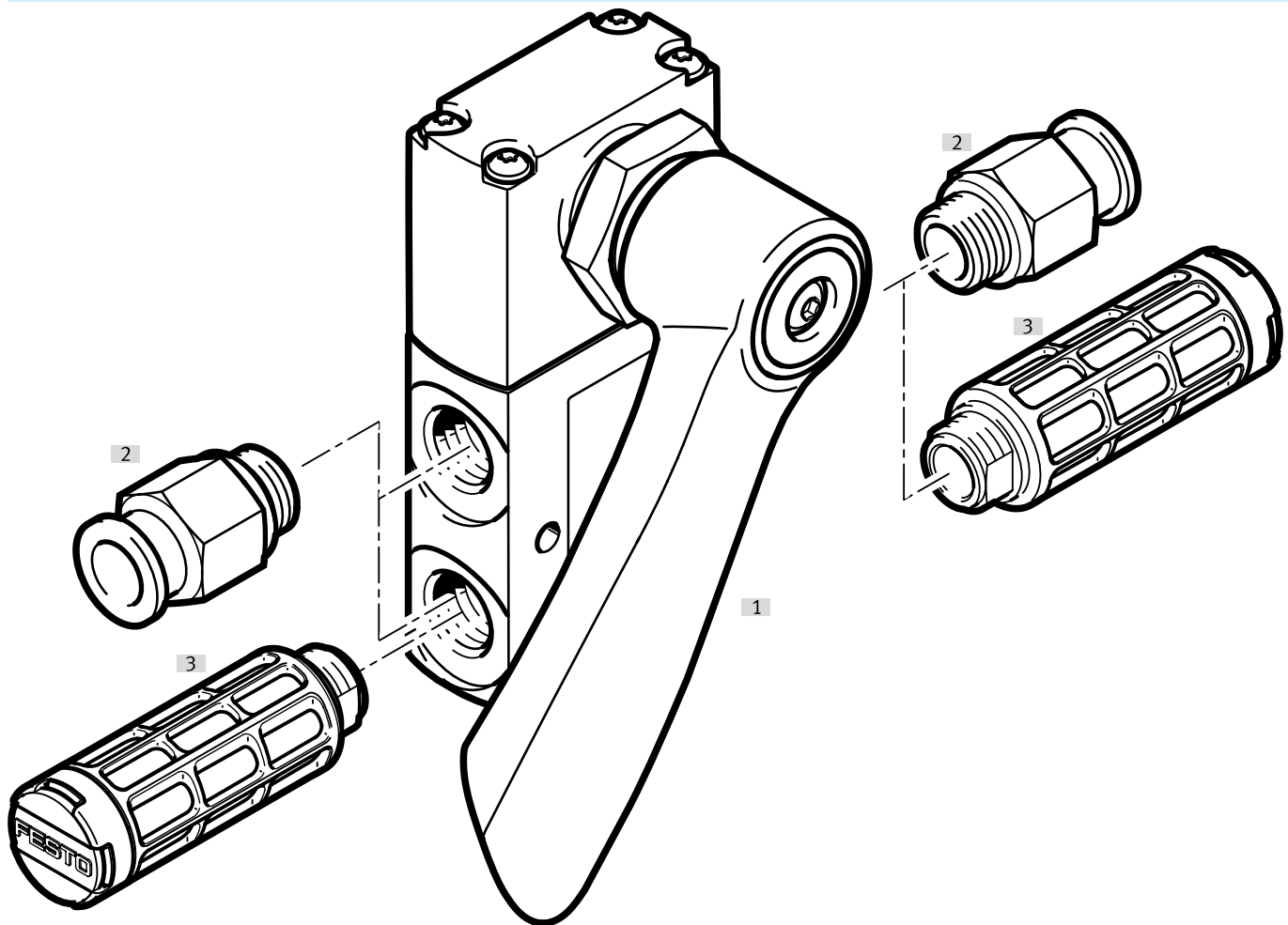
## Peripherals overview for finger lever valve, manually operated 5/2



Accessories		→ Link
Type/order code	Description	
[1] 5/2-way valve	VHEF-L-M52...	<a href="#">vhef</a>
[2] Fitting	For working air/exhaust air connections (1, 3, 5) and working connections (2, 4)	
[3] Silencer	For exhaust air connections (3, 5)	

## Peripherals

### Peripherals overview for hand lever valve, sideways, manually operated 3/2

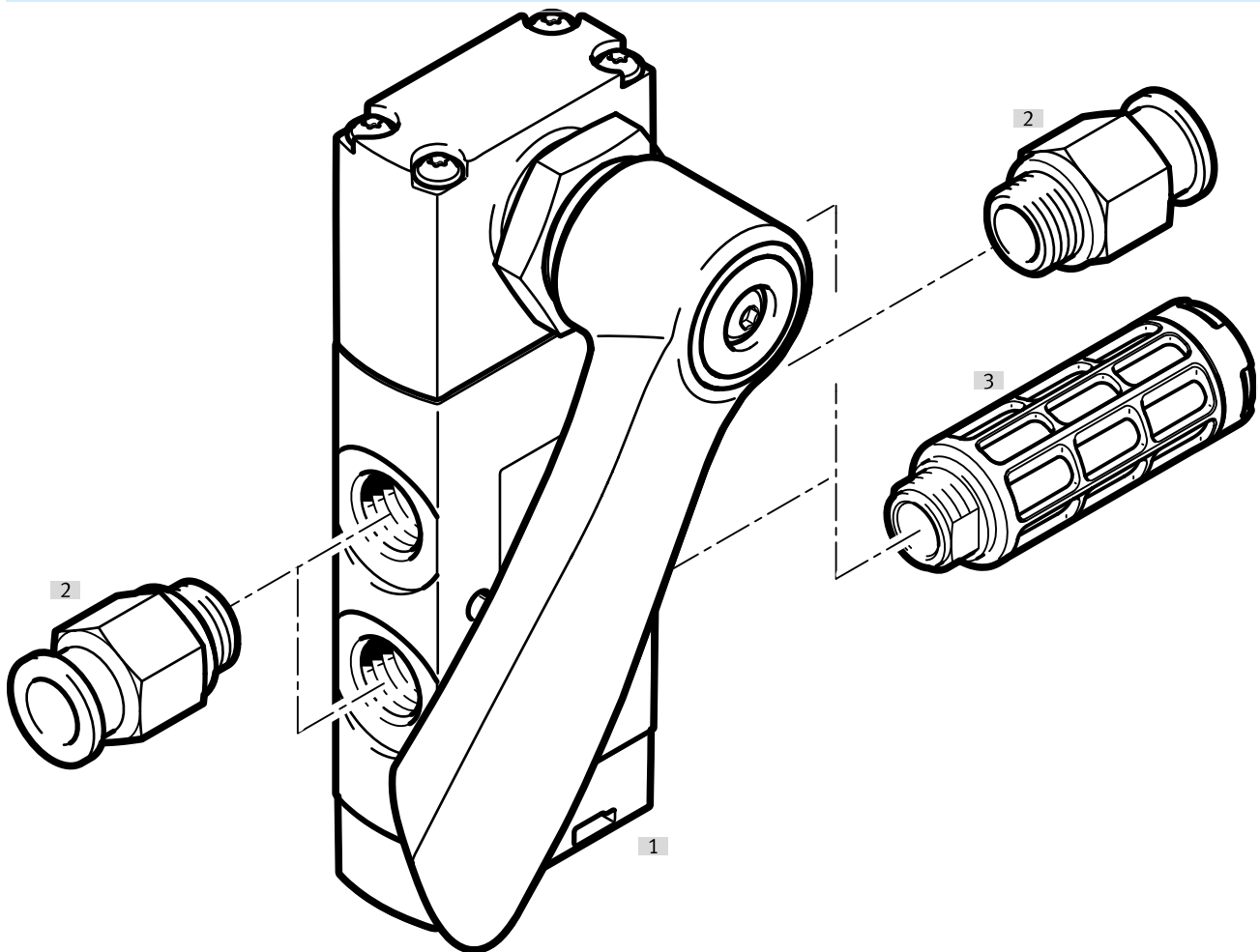


Accessories			→ Link
Type/order code	Description		
[1] 3/2-way valve	VHEF-HST...32		<a href="#">vhef</a>
[2] Fitting	For working air/exhaust air connections (1, 3, 5) and working connections (2, 4)		
[3] Silencer	For exhaust air connections (3, 5)		



## Peripherals

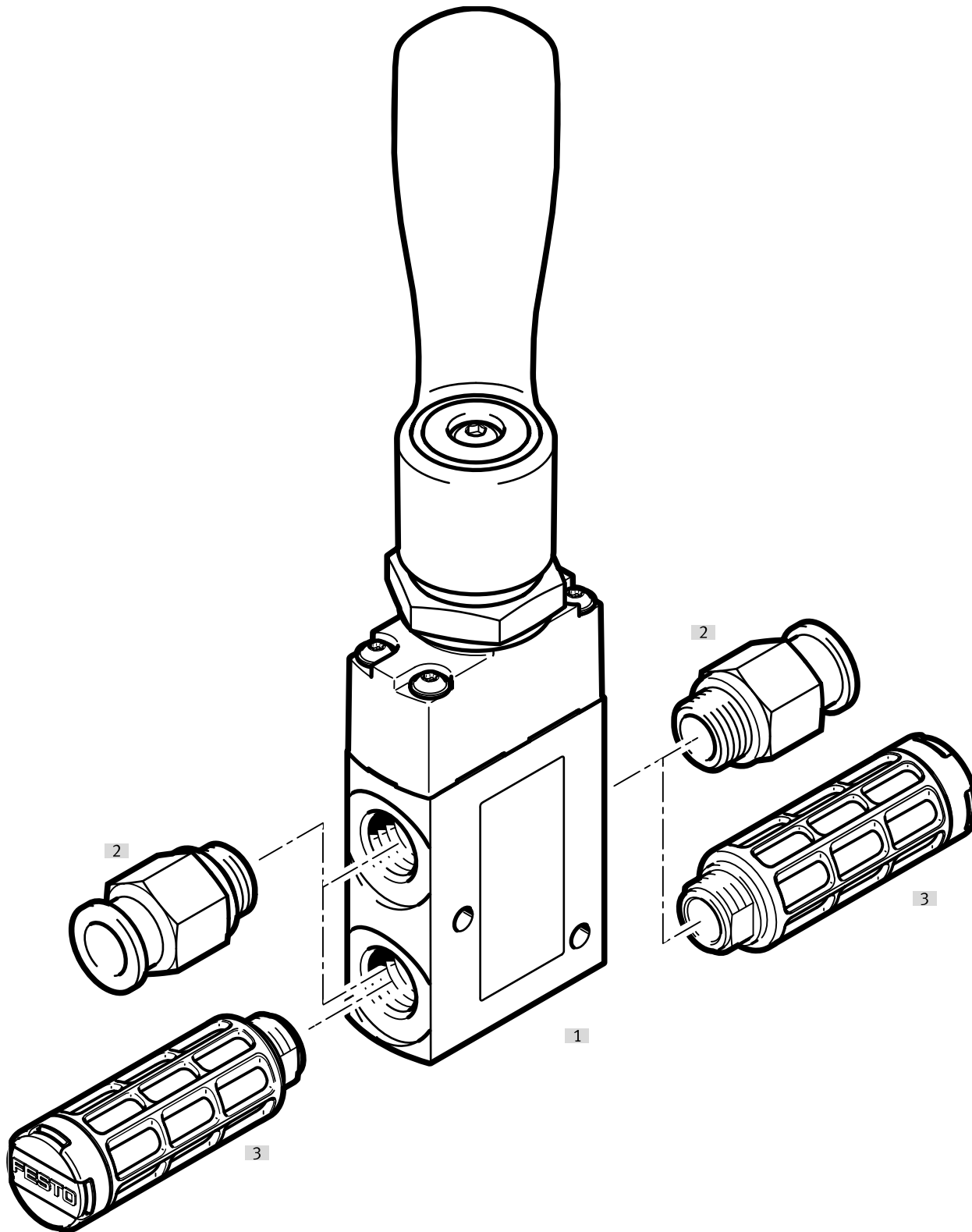
## Peripherals overview for hand lever valve, sideways, manually operated 5/2



Accessories			→ Link
Type/order code	Description		
[1] 5/2- or 5/3-way valve	VHEF-HS...52... , VHEF-HS...53...		<a href="#">vhef</a>
[2] Fitting	For working air/exhaust air connections (1, 3, 5) and working connections (2, 4)		
[3] Silencer	For exhaust air connections (3, 5)		

## Peripherals

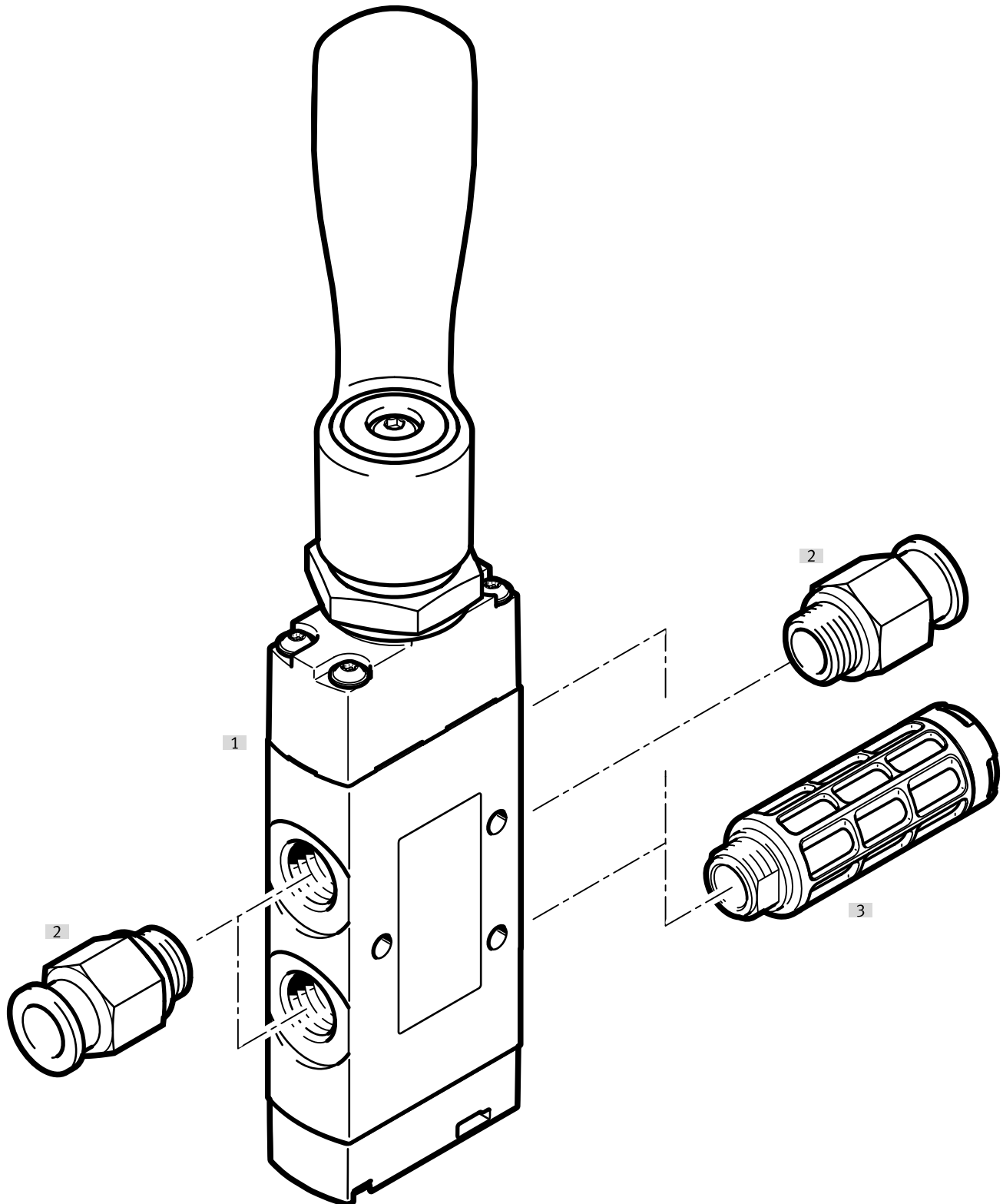
### Peripherals overview for hand lever valve, manually operated 3/2



Accessories		→ Link
Type/order code	Description	
[1] 3/2-way valve	VHEF-HT...32...	<a href="#">vhef</a>
[2] Fitting	For working air/exhaust air connections (1, 3, 5) and working connections (2, 4)	
[3] Silencer	For exhaust air connections (3, 5)	

## Peripherals

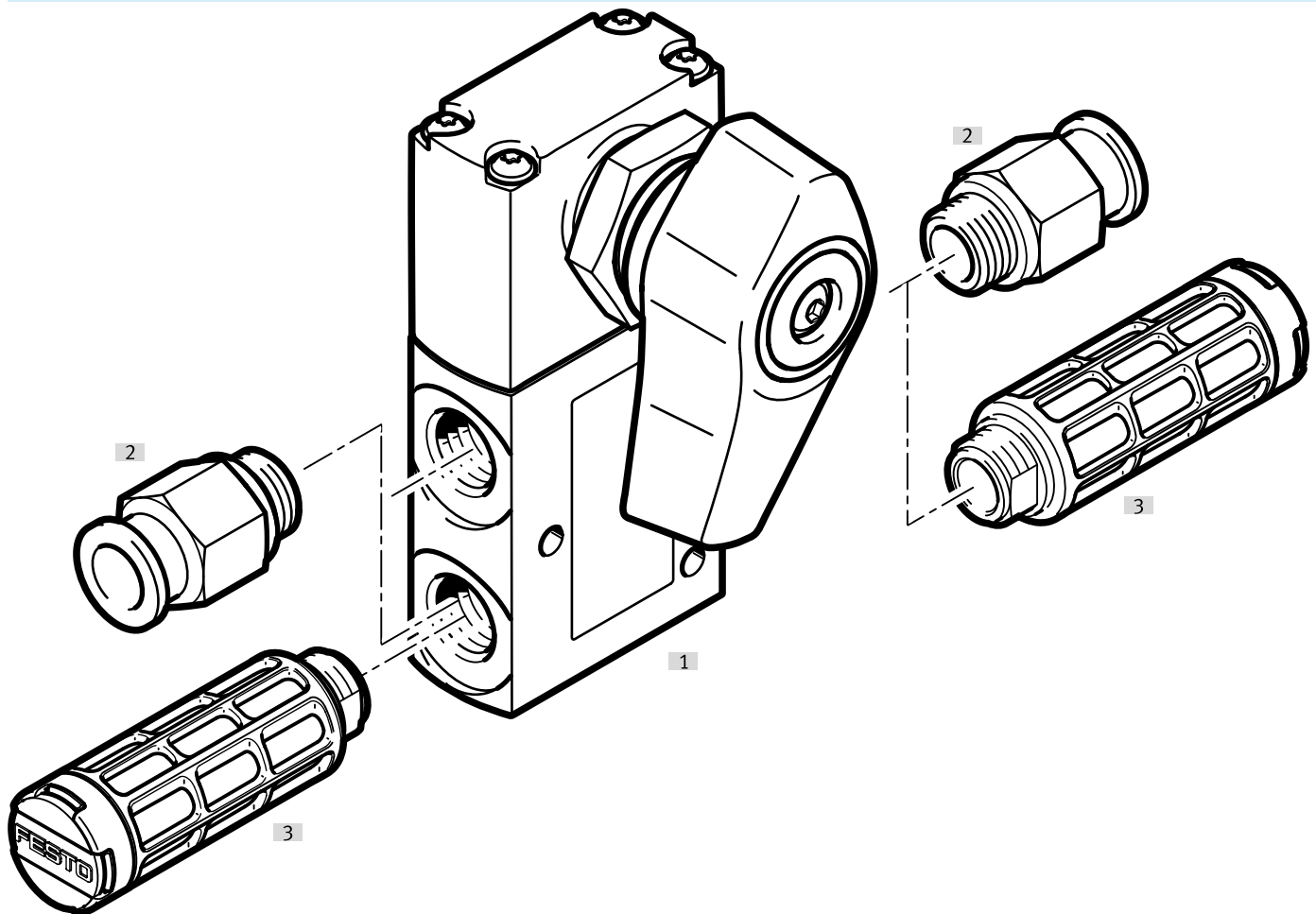
## Peripherals overview for hand lever valve, manually operated 5/2



Accessories		→ Link
Type/order code	Description	
[1] 5/2- or 5/3-way valve	VHEF-H...52... , VHEF-H...53...	<a href="#">vhef</a>
[2] Fitting	For working air/exhaust air connections (1, 3, 5) and working connections (2, 4)	
[3] Silencer	For exhaust air connections (3, 5)	

## Peripherals

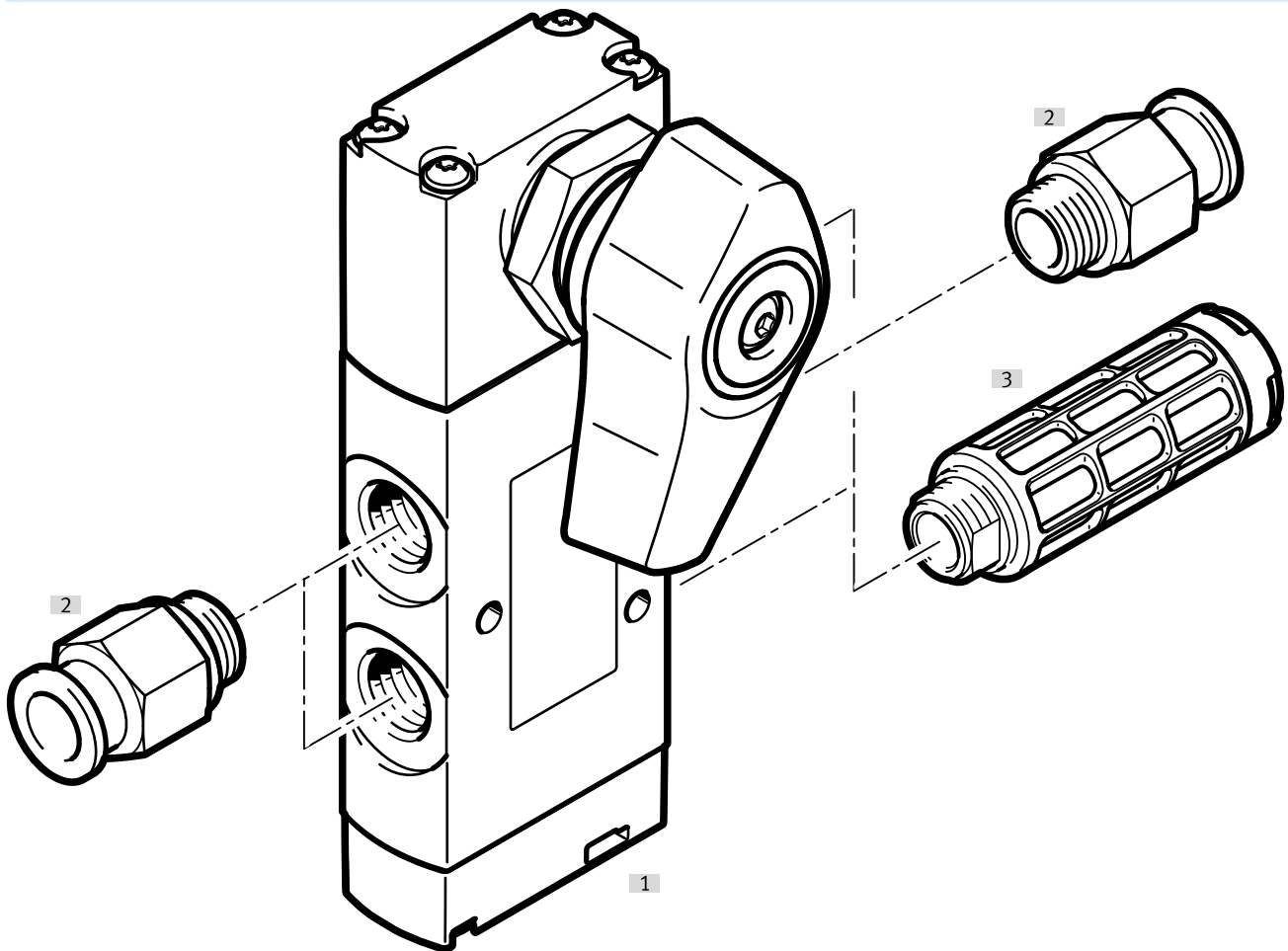
### Peripherals overview for selector valve, sideways, manually operated 3/2



Accessories		→ Link
Type/order code	Description	
[1] 3/2-way valve	VHEF-EST...32...	<a href="#">vhef</a>
[2] Fitting	For working air/exhaust air connections (1, 3, 5) and working connections (2, 4)	
[3] Silencer	For exhaust air connections (3, 5)	

## Peripherals

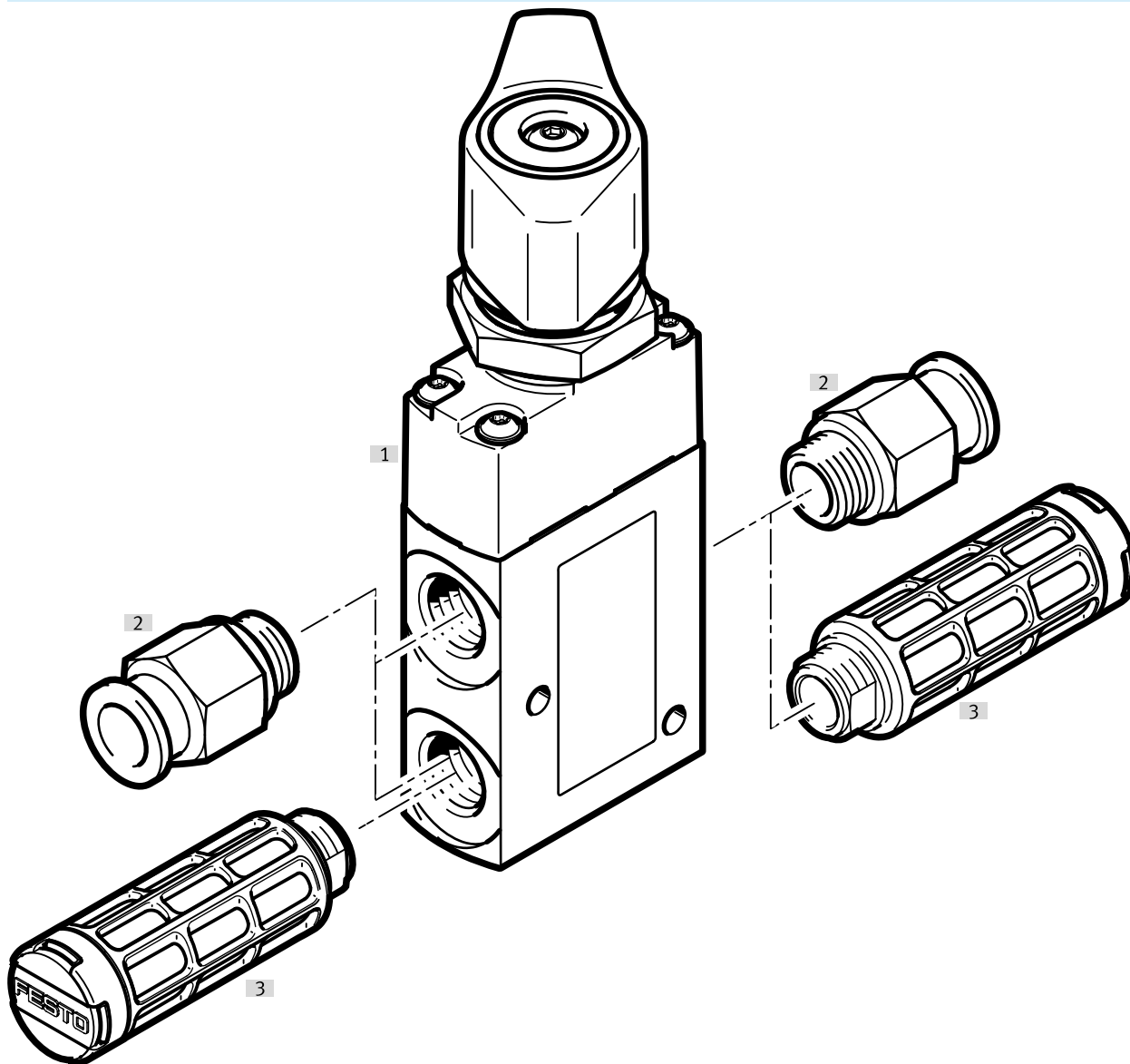
## Peripherals overview for selector valve, sideways, manually operated 5/2



Accessories			→ Link
Type/order code	Description		
[1] 5/2- or 5/3-way valve	VHEF-ES...52..., VHEF-ES...53...		<a href="#">vhef</a>
[2] Fitting	For working air/exhaust air connections (1, 3, 5) and working connections (2, 4)		
[3] Silencer	For exhaust air connections (3, 5)		

## Peripherals

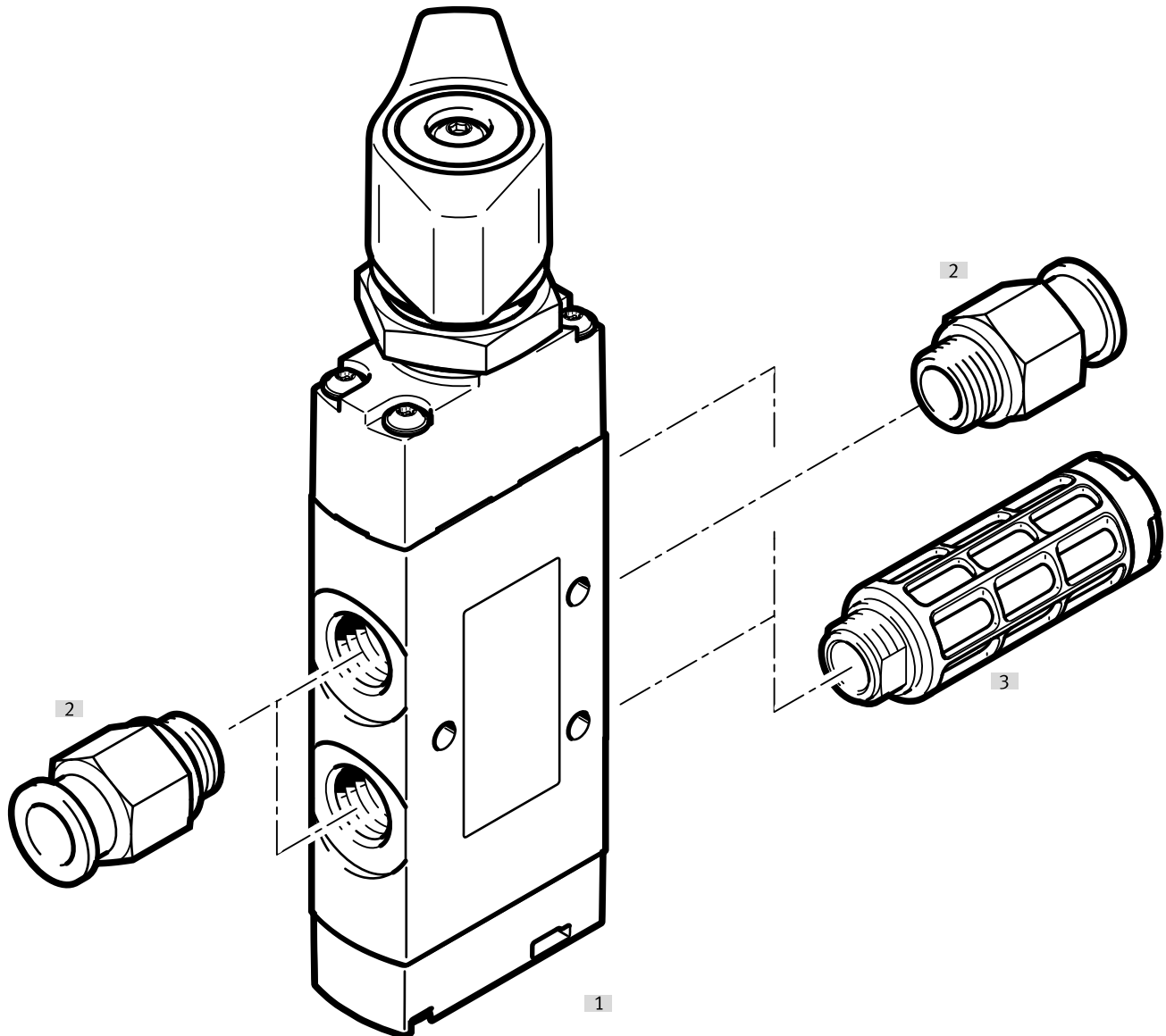
### Peripherals overview for selector valve, manually operated 3/2



Accessories			→ Link
Type/order code	Description		
[1] 3/2-way valve	VHEF-ET...32...		<a href="#">vhef</a>
[2] Fitting	For working air/exhaust air connections (1, 3, 5) and working connections (2, 4)		
[3] Silencer	For exhaust air connections (3, 5)		


## Peripherals

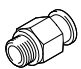
## Peripherals overview for selector valve, manually operated 5/2





Accessories			→ Link
Type/order code	Description		
[1]	5/2- or 5/3-way valve	VHEF-E...52..., VHEF-E...53...	<a href="#">vhef</a>
[2]	Fitting	For working air/exhaust air connections (1, 3, 5) and working connections (2, 4)	
[3]	Silencer	For exhaust air connections (3, 5)	

## Accessories

Push-in fitting, straight, with internal hex					
	Pneumatic connection, port 1	Pneumatic connection, port 2	Packaging unit [units]	Part no.	Type
	Male thread 10-32 UNF-2A	For tubing outside diameter of 5/32"	10	★ 572312	QBM-10-32-UNF-5/32-I-U
	Male thread 1/8 NPT	For tubing outside diameter of 1/4"		★ 572317	QB-1/8-5/32-I-U
		For tubing outside diameter of 5/16"		★ 572318	QB-1/8-1/4-I-U
	Male thread 1/4 NPT	For tubing outside diameter of 3/8"		572319	QB-1/8-5/16-I-U
		For tubing outside diameter of 1/2"		572321	QB-1/4-5/16-I-U
		572322		QB-1/4-3/8-I-U	
			★ 567771	QB-1/4-1/2-U	

Push-in fitting, angled, with external hex					
	Pneumatic connection, port 1	Pneumatic connection, port 2	Packaging unit [units]	Part no.	Type
	Male thread 1/8 NPT	For tubing outside diameter of 1/4"	10	★ 533292	QBL-1/8-1/4-U
		For tubing outside diameter of 5/16"		★ 533293	QBL-1/8-5/16-U
	Male thread 1/4 NPT	For tubing outside diameter of 3/8"		★ 533296	QBL-1/4-5/16-U
		For tubing outside diameter of 1/2"	5	★ 533297	QBL-1/4-3/8-U
		★ 567775	QBL-1/4-1/2-U		

Push-in fitting, angled, long, with external hex, connection thread G1/8					
	Pneumatic connection, port 1	Pneumatic connection, port 2	Packaging unit [units]	Part no.	Type
	Male thread 1/8 NPT	For tubing outside diameter of 5/32"	10	564668	QBLL-1/8-5/32-U
		For tubing outside diameter of 1/4"		564670	QBLL-1/8-1/4-U
		For tubing outside diameter of 5/16"		564671	QBLL-1/8-5/16-U

Silencer, metal					
	Pneumatic connection	Product weight	Part no.	Type	
	1/8 NPT	8 g	12638	U-1/8-B-NPT	
	1/4 NPT	17 g	12639	U-1/4-B-NPT	