

## Ball valve VZBM

**FESTO**



## Characteristics

### At a glance

2- or 3-way ball valve VZBM made of brass with L- and T-bore.VZBM can be operated automatically or with a hand lever.

- Brass version
- Pipe thread to EN 10226-1

## Type code

001	Series
VZBM	Ball valve

002	Nominal diameter DN
1/4	1/4"
3/8	3/8"
1/2	1/2"
3/4	3/4"
1	1"
1 1/4	1 1/4"
1 1/2	1 1/2"
2	2"

003	Process valve connection
RP	Rp thread

004	Nominal pressure [bar]
25	25
40	40
50	50

005	Design type
D	Two-part
F	Four-part

006	Valve function
2	2/2-way
3L	3/2-way, L-bore
3T	3/2-way, T-bore

007	Flanged connection
	Standard
F03	Hole pattern 03
F0304	Hole pattern 03 and 04
F0305	Hole pattern 03 and 05
F0405	Hole pattern 04 and 05
F05	Hole pattern 05

008	Actuation type
	Via drive
M	With hand lever

009	Housing material
B2	Brass, nickel-plated

010	Shut-off element material
B3	Brass, chrome-plated

## Datasheet

## General technical data, 2-way

Connection Process valve	Rp1/4	Rp3/8	Rp1/2	Rp3/4	Rp1	Rp1 1/2	Rp1 1/4	Rp2
Nominal size DN	8	10	15	20	25	40	32	50
Valve function	2/2							
Design	2-way ball valve							
Sealing principle	Soft							
Type of actuation	Mechanical							
Switching position indicator	Slot direction = flow direction							
Flow direction	Reversible							
Type of mounting	In-line installation							
Mounting position	optional							
Based on standard	EN 10226-1, ISO 5211							
Breakaway torque at differential pressure, nominal pressure, process valve PN	3.2		4.3	5	5.5	9.5	7.5	14.5
Inside diameter	10 mm		15 mm	20 mm	25 mm	40 mm	32 mm	50 mm
Flow rate Kv	5.9 m <sup>3</sup> /h	9.4 m <sup>3</sup> /h	15 m <sup>3</sup> /h	28 m <sup>3</sup> /h	39 m <sup>3</sup> /h	156 m <sup>3</sup> /h	84 m <sup>3</sup> /h	243 m <sup>3</sup> /h

## Operating and environmental conditions, 2-way

Connection Process valve	Rp1/4	Rp3/8	Rp1/2	Rp3/4	Rp1	Rp1 1/2	Rp1 1/4	Rp2
Nominal pressure PN	40		25					
Media temperature	-20 ... 130°C		-15 ... 90°C					
Medium	Compressed air to ISO 8573-1:2010 [:-:-], Inert gases, Water – no water vapour, Neutral fluids							
CE mark (see declaration of conformity) <sup>1)</sup>	In accordance with EU Pressure Equipment Directive							

1) More information [www.festo.com/sp](http://www.festo.com/sp) see Certificates.

## General technical data, 3-way

Connection Process valve	Rp1/4	Rp3/8	Rp1/2	Rp3/4	Rp1	Rp1 1/2	Rp1 1/4	Rp2
Nominal size DN	8	10	15	20	25	40	32	50
Valve function	3/2							
Design	3-way ball valve, L-hole, T-hole							
Sealing principle	Soft							
Type of actuation	Mechanical							
Switching position indicator	Slot direction = flow direction							
Flow direction	Reversible							
Type of mounting	In-line installation							
Mounting position	optional							
Based on standard	EN 10226-1, ISO 5211							
Breakaway torque at differential pressure, nominal pressure, process valve PN	6		6.9	8	11	26.7	16.7	36
Inside diameter	8 mm	10 mm	14.1 mm	17.6 mm	25 mm	38 mm	32 mm	45 mm
Flow rate Kv	–							

## Operating and environmental conditions, 3-way

Connection Process valve	Rp1/4	Rp3/8	Rp1/2	Rp3/4	Rp1	Rp1 1/2	Rp1 1/4	Rp2
Nominal pressure PN	40					25	40	25
Media temperature	-20 ... 130°C							
Medium	Compressed air to ISO 8573-1:2010 [:-:-], Inert gases, Water – no water vapour, Neutral fluids							
CE mark (see declaration of conformity) <sup>1)</sup>	In accordance with EU Pressure Equipment Directive							

1) More information [www.festo.com/sp](http://www.festo.com/sp) see Certificates.

## Datasheet

**Materials, 2/3-way**

Material housing	Brass, Nickel-plated
Material ball	Brass, Chrome-plated
Material shaft	Brass
Material seals	FPM, HNBR, PTFE
Note on materials	RoHS-compliant

**General technical data, manual**

Connection Process valve	Rp1/4	Rp3/8	Rp1/2	Rp3/4	Rp1	Rp1 1/2	Rp1 1/4
Nominal size DN	8	10	15	20	25	40	32
Valve function	2/2						
Design	2-way ball valve						
Sealing principle	Soft						
Type of actuation	Mechanical						
Switching position indicator	Slot direction = flow direction						
Flow direction	Reversible						
Type of mounting	In-line installation						
Mounting position	optional						
Based on standard	EN 10226-1						
Actuating torque with pressure difference relative to nominal valve pressure	7.5		9	20	25	50	37
Inside diameter	10 mm		15 mm	20 mm	25 mm	40 mm	32 mm
Flow rate Kv	6 m <sup>3</sup> /h	8 m <sup>3</sup> /h	15 m <sup>3</sup> /h	28 m <sup>3</sup> /h	39 m <sup>3</sup> /h	156 m <sup>3</sup> /h	84 m <sup>3</sup> /h

**Operating and environmental conditions, manual**

Connection Process valve	Rp1/4	Rp3/8	Rp1/2	Rp3/4	Rp1	Rp1 1/2	Rp1 1/4
Nominal pressure PN	50				40		
Media temperature	-15 ... 120°C						
Medium	Compressed air to ISO 8573-1:2010 [-::-], Inert gases, Water – no water vapour, Neutral fluids						
CE mark (see declaration of conformity) <sup>1)</sup>	In accordance with EU Pressure Equipment Directive						

1) More information [www.festo.com/sp](http://www.festo.com/sp) see Certificates.

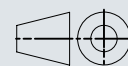
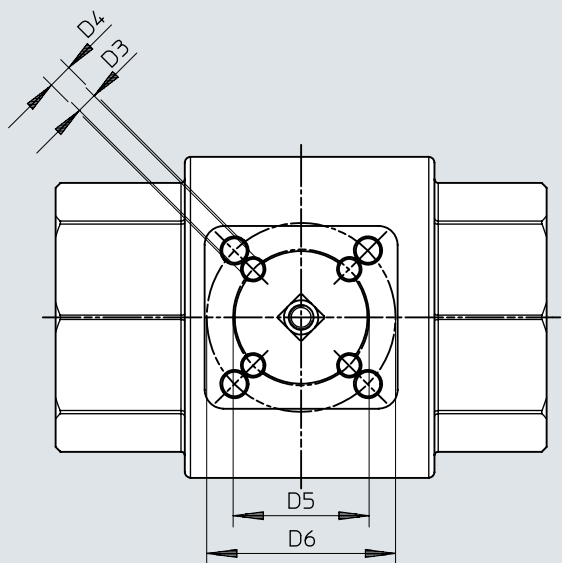
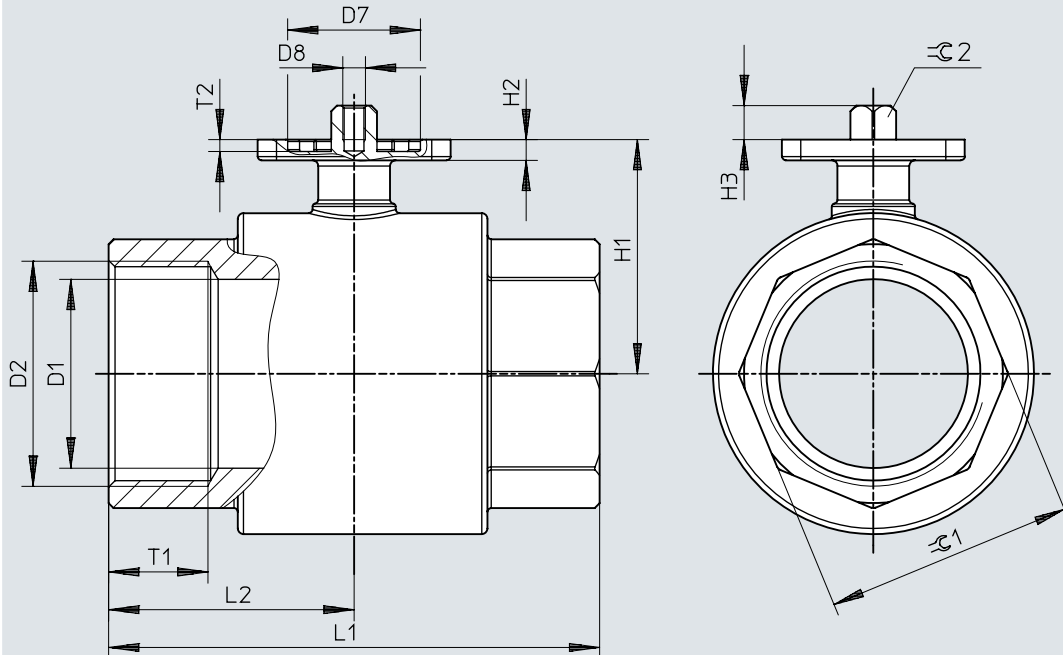
**Materials manual**

Material housing	Brass, Nickel-plated
Material number housing	CW617N
Material ball	Brass, Chrome-plated
Material number ball	CW617N
Material shaft	Brass
Material number shaft	CW617N
Material seals	NBR, PTFE
Note on materials	RoHS-compliant

## Dimensions

Dimensions – Ball valves VZBM, 2-way

Download CAD data [www.festo.com](http://www.festo.com)



## Dimensions

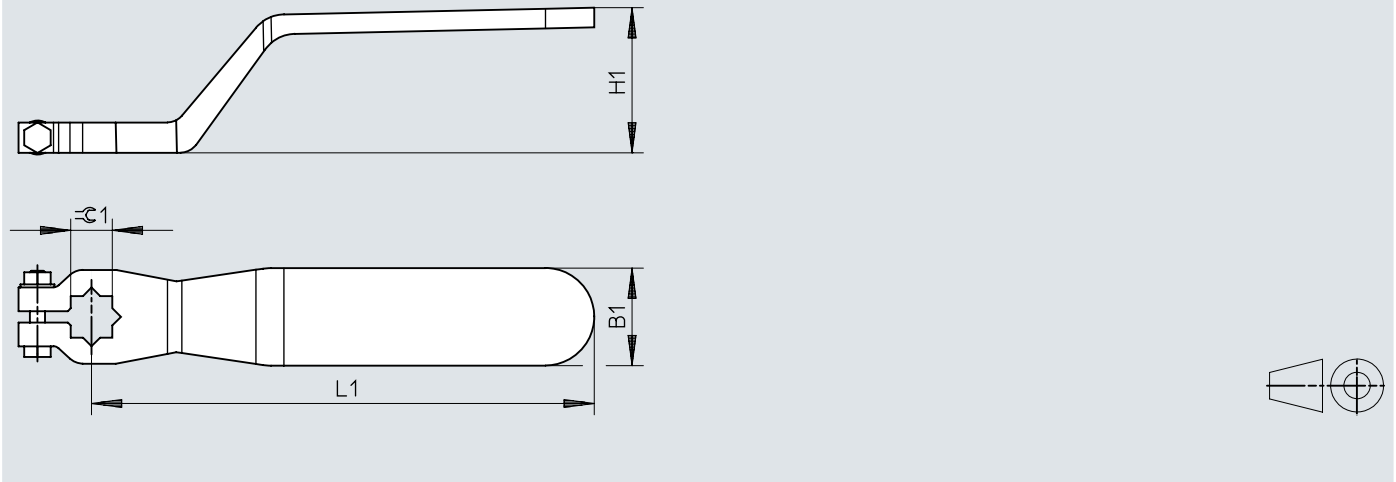
	D1 ∅ ±0,15	D2	D3 ∅ +0,2	D4 ∅ +0,2	D5 ∅ ±0,15	D6 ∅ ±0,15	D7 ∅	D8
VZBM-1/4-RP-40-D-2-F03-B2B3	10	Rp1/4	5,5	-	36	-	25 <sup>H8</sup>	M4
VZBM-3/8-RP-40-D-2-F03-B2B3	10	Rp3/8					25 <sup>H8</sup>	M4
VZBM-1/2-RP-25-D-2-F03-B2B3	15	Rp1/2					25,2±0,1	M6
VZBM-3/4-RP-25-D-2-F03-B2B3	20	Rp3/4					25,2±0,1	
VZBM-1-RP-25-D-2-F03-B2B3	25	Rp1					25,2±0,1	
VZBM-1 1/4-RP-25-D-2-F03-B2B3	32	Rp1 1/4					25,2±0,1	
VZBM-1 1/2-RP-25-D-2-F0305-B2B3	40	Rp1 1/2					35,2±0,1	
VZBM-2-RP-25-D-2-F0305-B2B3	50	Rp2		6,5	50	35,2±0,1		

	H1	H2	H3	L1 ±2	L2	T1 min.	T2 ±0,1	≈C1 ±1	≈C2 h11
VZBM-1/4-RP-40-D-2-F03-B2B3	38	9	9	75	32,5	15	3,2	26	9
VZBM-3/8-RP-40-D-2-F03-B2B3	38	9		75	32,5				
VZBM-1/2-RP-25-D-2-F03-B2B3	32	5,5		61	30,5				
VZBM-3/4-RP-25-D-2-F03-B2B3	36			70	35	16,3			
VZBM-1-RP-25-D-2-F03-B2B3	44			84	42	19,1			
VZBM-1 1/4-RP-25-D-2-F03-B2B3	49			97	48,5	21,4			
VZBM-1 1/2-RP-25-D-2-F0305-B2B3	54			108	54	22			
VZBM-2-RP-25-D-2-F0305-B2B3	62	130		65	26,3	66			

## Dimensions

Dimensions – Hand lever VAOH, 2-way

Download CAD data [www.festo.com](http://www.festo.com)

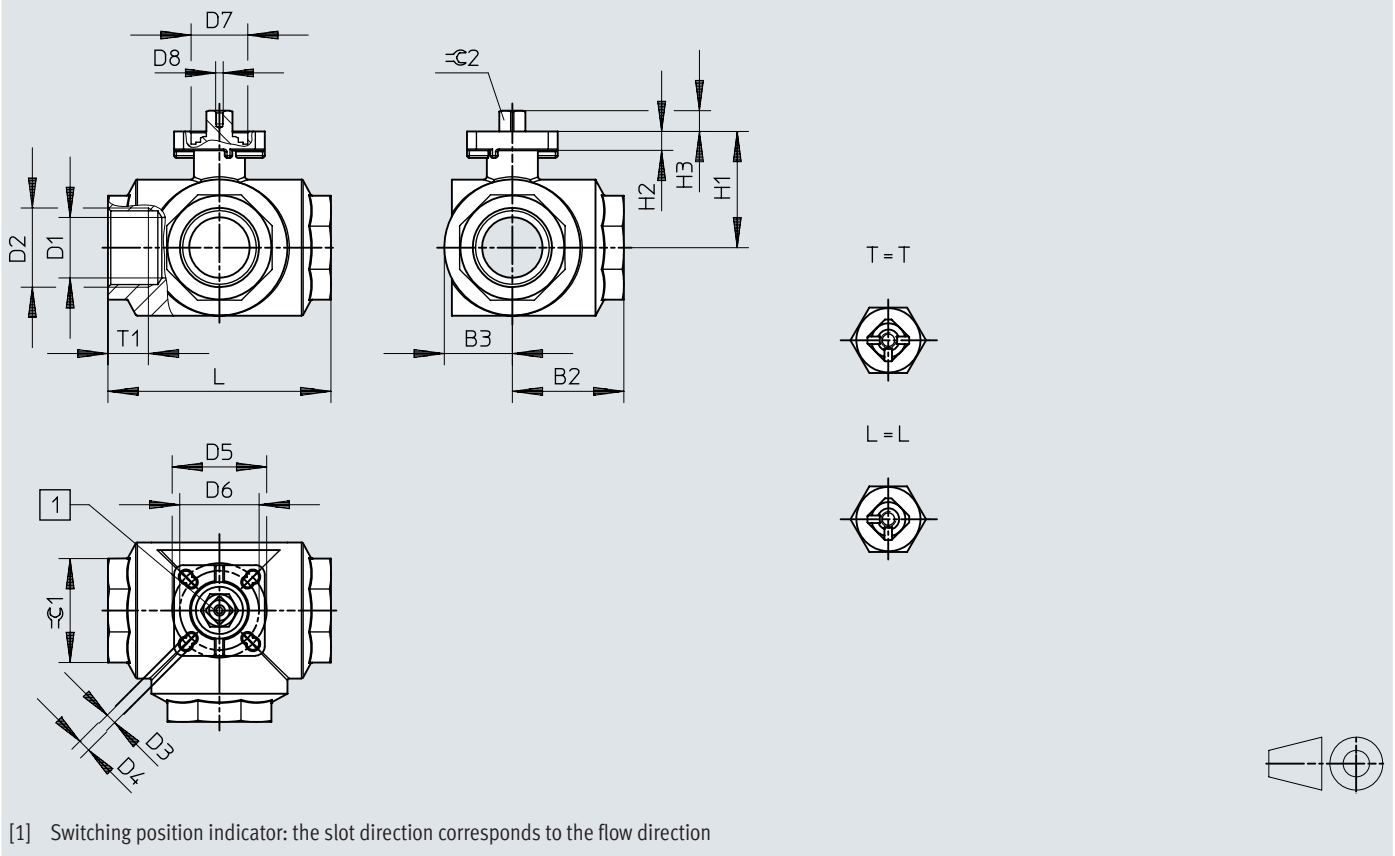


		B1	H1	L1	$\varnothing 1$
		$\pm 5$	$\pm 5$	$\pm 10$	$\pm 0,5$
VAOH-9-H9	Rp1/4 ... Rp2	21	36	120	9



## Dimensions

## Dimensions – Ball valves VZBM, 3-way

Download CAD data [www.festo.com](http://www.festo.com)

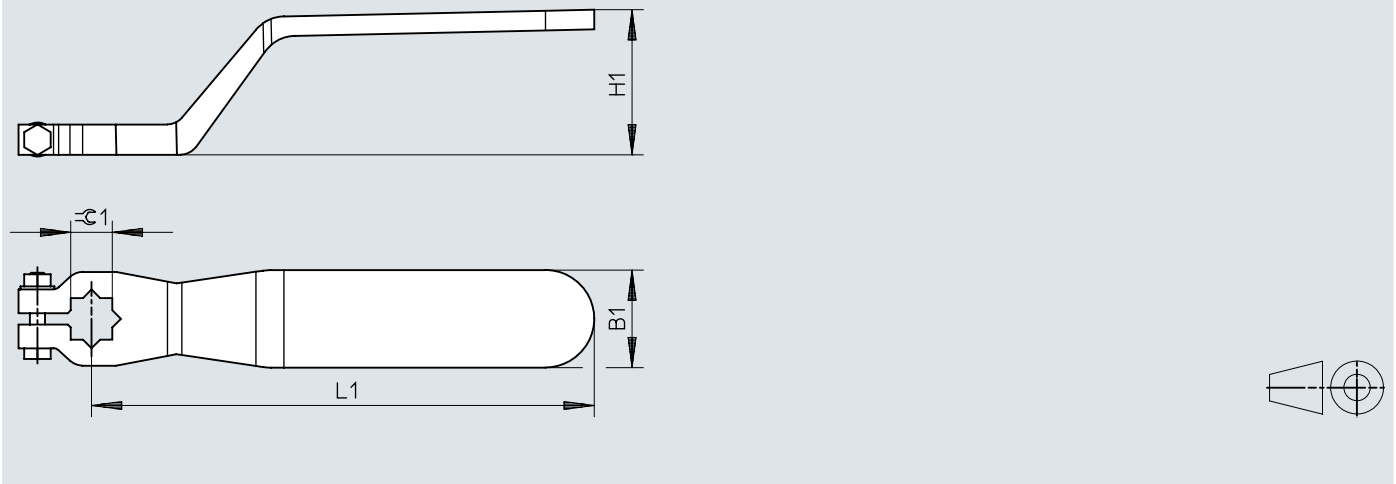
	B2	B3	D1 ø	D2	D3 ø	D4 ø	D5 ø	D6 ø	D7 ø H8	D8	
VZBM-1/4-RP-40-F-3...-F03-B2B3	32,5	17	8	Rp1/4	5,5	-	36	-	25	M4	
VZBM-3/8-RP-40-F-3...-F03-B2B3			10	Rp3/8							
VZBM-1/2-RP-40-F-3...-F03-B2B3			14,1	Rp1/2							
VZBM-3/4-RP-40-F-3...-F03-B2B3	38	21,5	17,6	Rp3/4							
VZBM-1-RP-40-F-3...-F0304-B2B3	48,5	26	25	Rp1				42			
VZBM-1 1/4-RP-40-F-3...-F0405-B2B3	59	36,5	32	Rp1 1/4			5,5	42	50		30
VZBM-1 1/2-RP-25-F-3...-F0405-B2B3	67,5	38	38	Rp1 1/2			6,5	50	-		35
VZBM-2-RP-25-F-3...-F05-B2B3	78,5	43	45	Rp2	6,5		50	-	35	M5	

	H1	H2	H3	L1	T1	≅C1	≅C2
				±2	min.		-0,1
VZBM-1/4-RP-40-F-3...-F03-B2B3	38	9	9	64,5	15	25	9
VZBM-3/8-RP-40-F-3...-F03-B2B3							
VZBM-1/2-RP-40-F-3...-F03-B2B3							
VZBM-3/4-RP-40-F-3...-F03-B2B3	42			76	16,3	31	
VZBM-1-RP-40-F-3...-F0304-B2B3	46,5			97	19,1	41	
VZBM-1 1/4-RP-40-F-3...-F0405-B2B3	61,3	10	11	118	21,4	55	11
VZBM-1 1/2-RP-25-F-3...-F0405-B2B3	63,5			134,5			
VZBM-2-RP-25-F-3...-F05-B2B3	74	12	14	157	25,7	67	14

## Dimensions

### Dimensions – Hand lever VAOH, 3-way

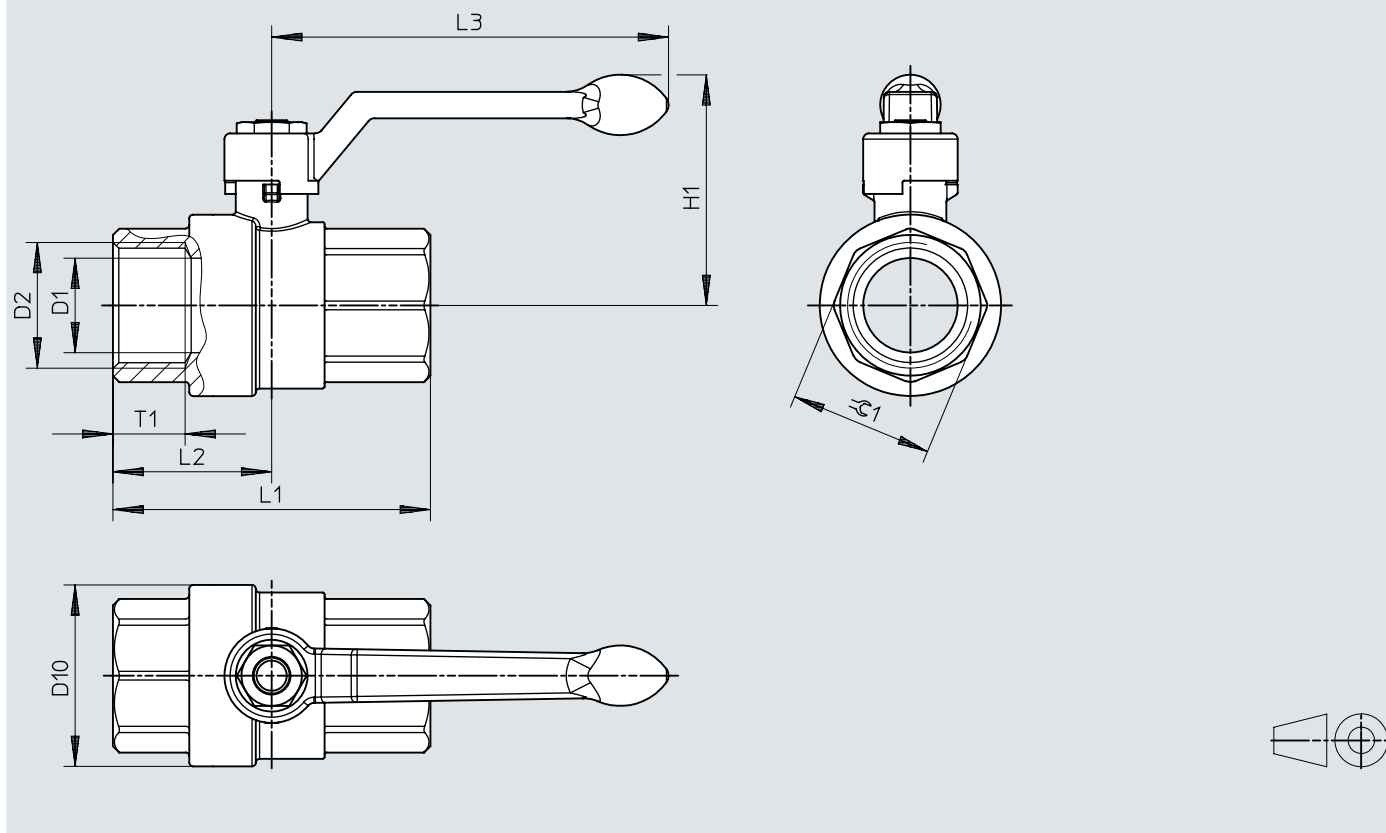
Download CAD data [www.festo.com](http://www.festo.com)



		B1 ±5	H1 ±5	L1 ±10	$\varnothing 1$ ±0,5
VAOH-9-H9	Rp1/4 ... Rp1	21	36	120	9
VAOH-11-H9	Rp1 1/4 ... Rp1 1/2	26	40	140	11
VAOH-14-H9	Rp2	31	46	180	14

## Dimensions

Dimensions – Ball valves VZBM, manual

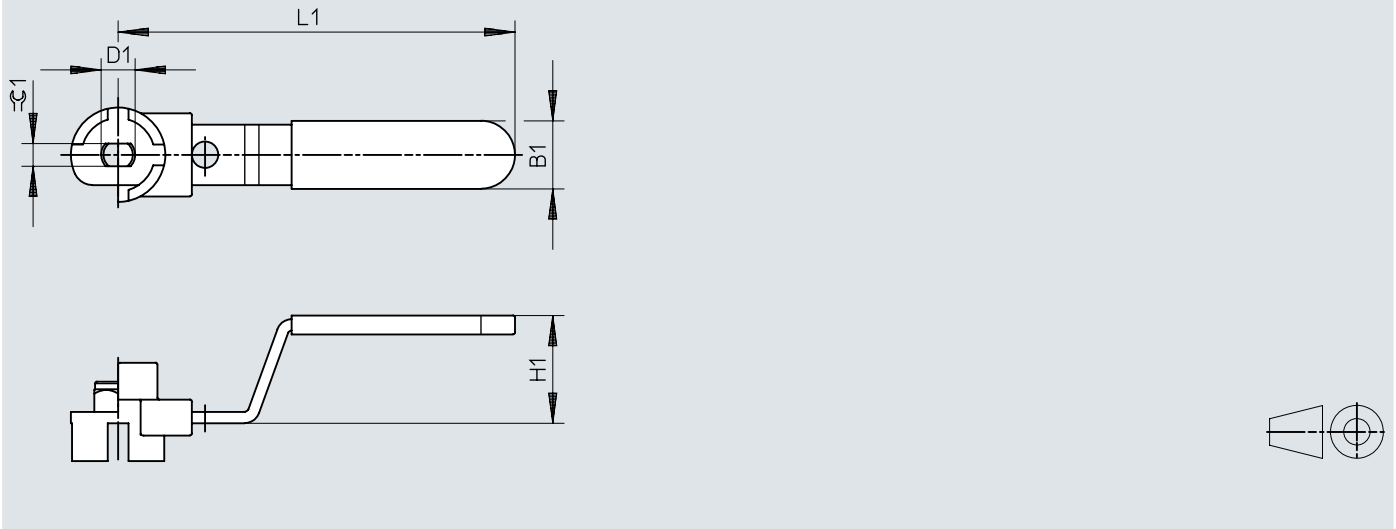
Download CAD data [www.festo.com](http://www.festo.com)

	D1 ø	D2	D10 ø	H1	L1	L2	L3	T1 min.	⊖C1
VZBM-1/4-RP-50-D-2-M-B2B3	10	Rp1/4	23	41	49	23	85	12	18
VZBM-3/8-RP-50-D-2-M-B2B3	10	Rp3/8	24	41	50,5	23,5	85	12	21
VZBM-1/2-RP-50-D-2-M-B2B3	15	Rp1/2	32	49	61	30,5	85	15	26
VZBM-3/4-RP-50-D-2-M-B2B3	20	Rp3/4	40	57	69,5	35	105	16,3	32
VZBM-1-RP-40-D-2-M-B2B3	25	Rp1	48	61	84	42	105	19,1	38
VZBM-1 1/4-RP-40-D-2-M-B2B3	32	Rp1 1/4	60	75	98	49	130	21,4	47
VZBM-1 1/2-RP-40-D-2-M-B2B3	40	Rp1 1/2	72,5	81	108	54	130	22	54

## Dimensions


Dimensions – Hand lever VAOH, manual


Download CAD data [www.festo.com](http://www.festo.com)




		B1	D1 ∅	H1	L1	≈ 1
VAOH-F10-D7-H9-A	Rp1/4 ... Rp1/2	16	7	24,5	89	5
VAOH-F10-D9-H9-A	Rp3/4 ... Rp1	18	9	28,5	105	6
VAOH-F10-D12-H9-A	Rp1 1/4 ... Rp1 1/2	22	12	32	130	8

## Ordering data

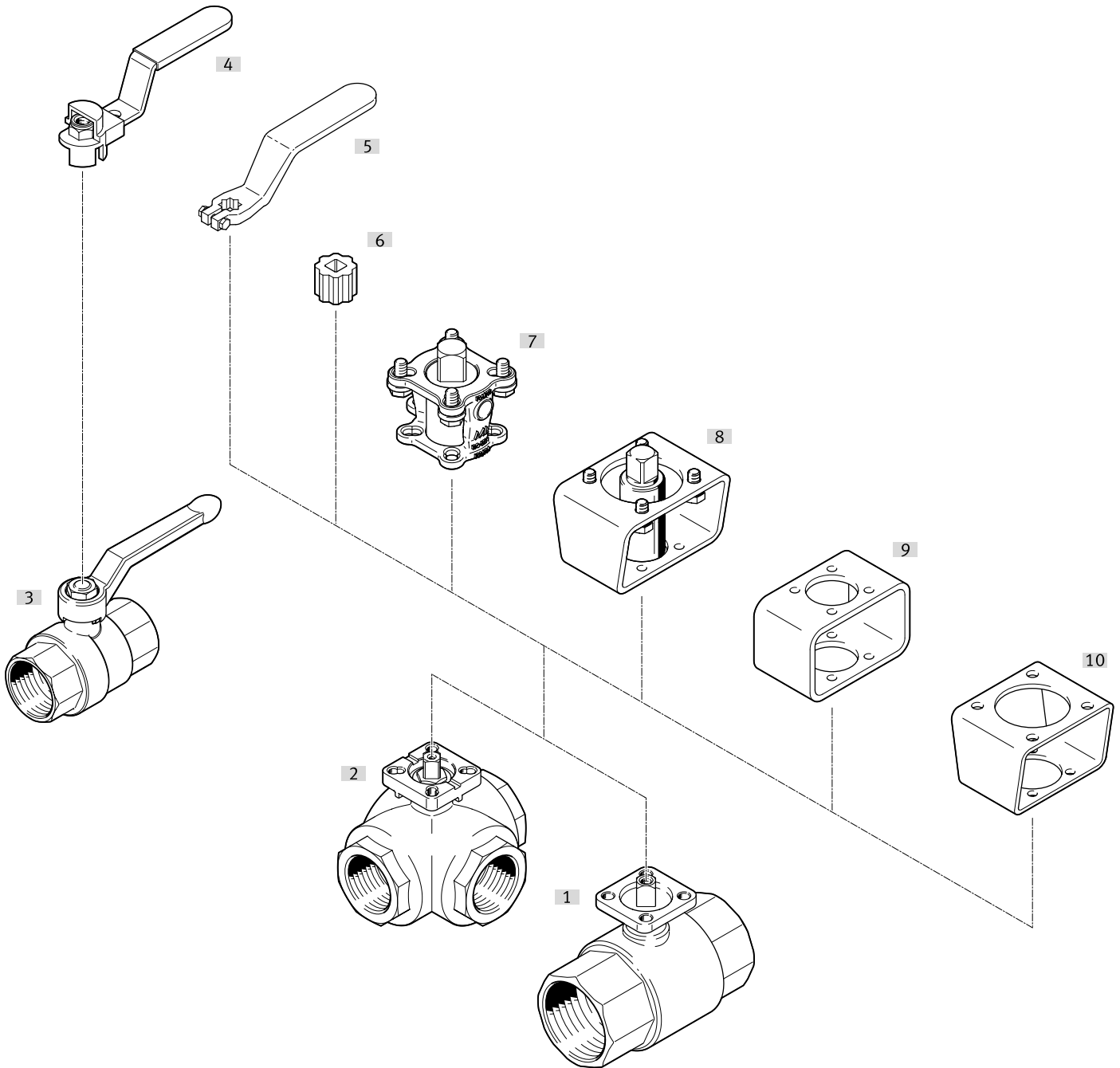
Ball valves VZBM, 2-way				
	Connection Process valve	Product weight	Part no.	Type
	Rp1/4	412 g	4405646	VZBM-1/4-RP-40-D-2-F03-B2B3
	Rp3/8	390 g	4405647	VZBM-3/8-RP-40-D-2-F03-B2B3
	Rp1/2	206 g	4405648	VZBM-1/2-RP-25-D-2-F03-B2B3
	Rp3/4	306 g	4405649	VZBM-3/4-RP-25-D-2-F03-B2B3
	Rp1	473 g	4405650	VZBM-1-RP-25-D-2-F03-B2B3
	Rp1 1/2	1,135 g	4405652	VZBM-11/2-RP-25-D-2-F0305-B2B3
	Rp1 1/4	730 g	4405651	VZBM-11/4-RP-25-D-2-F03-B2B3
	Rp2	1,770 g	4405653	VZBM-2-RP-25-D-2-F0305-B2B3

Ball valves VZBM, 3-way				
	Connection Process valve	Product weight	Part no.	Type
	Rp1/4	530 g	4451869	VZBM-1/4-RP-40-F-3L-F03-B2B3
			4451861	VZBM-1/4-RP-40-F-3T-F03-B2B3
	Rp3/8	460 g	4451854	VZBM-3/8-RP-40-F-3T-F03-B2B3
		500 g	4451868	VZBM-3/8-RP-40-F-3L-F03-B2B3
	Rp1/2	460 g	4451855	VZBM-1/2-RP-40-F-3T-F03-B2B3
			4451867	VZBM-1/2-RP-40-F-3L-F03-B2B3
	Rp3/4	710 g	4451856	VZBM-3/4-RP-40-F-3T-F03-B2B3
		720 g	4451866	VZBM-3/4-RP-40-F-3L-F03-B2B3
	Rp1	1,250 g	4451857	VZBM-1-RP-40-F-3T-F0304-B2B3
		1,280 g	4451862	VZBM-1-RP-40-F-3L-F0304-B2B3
	Rp1 1/2	3,190 g	4451859	VZBM-11/2-RP-25-F-3T-F0405-B2B3
		3,260 g	4451864	VZBM-11/2-RP-25-F-3L-F0405-B2B3
	Rp1 1/4	2,930 g	4451858	VZBM-11/4-RP-40-F-3T-F0405-B2B3
		3,000 g	4451863	VZBM-11/4-RP-40-F-3L-F0405-B2B3
Rp2	4,320 g	4451860	VZBM-2-RP-25-F-3T-F05-B2B3	
	4,470 g	4451865	VZBM-2-RP-25-F-3L-F05-B2B3	

Ball valves VZBM, manual				
	Connection Process valve	Product weight	Part no.	Type
	Rp1/4	130 g	4405684	VZBM-1/4-RP-50-D-2-M-B2B3
	Rp3/8	120 g	4405685	VZBM-3/8-RP-50-D-2-M-B2B3
	Rp1/2	200 g	4405686	VZBM-1/2-RP-50-D-2-M-B2B3
	Rp3/4	335 g	4405687	VZBM-3/4-RP-50-D-2-M-B2B3
	Rp1	480 g	4405689	VZBM-1-RP-40-D-2-M-B2B3
	Rp1 1/2	1,116 g	4405691	VZBM-11/2-RP-40-D-2-M-B2B3
	Rp1 1/4	770 g	4405690	VZBM-11/4-RP-40-D-2-M-B2B3

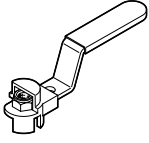
## Peripherals

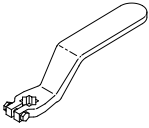
### Peripherals overview

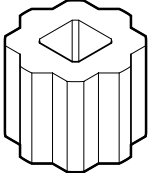


Accessories		→ Link
Type/order code	Description	
[1] Ball valve VAPB	Ball valves VAPB, 2-way	<a href="#">vapb</a>
[2]		<a href="#">vzba</a>
[3] Ball valve VZBM	With hand lever	<a href="#">vzbm</a>
[4] Hand lever VAOH	Lockable for VZBM, manual	<a href="#">15</a>
[5] Hand lever VAOH	High-alloy stainless steel	<a href="#">15</a>
[6] Reducing sleeve DARQ	<ul style="list-style-type: none"> <li>• Connection 1, drive outlet function</li> <li>• Connection 2, reducing outlet function</li> </ul>	<a href="#">16</a>
[7] Mounting kit DARQ	<ul style="list-style-type: none"> <li>• Connection 1, drive outlet function</li> <li>• Connection 2, reducing outlet function</li> </ul>	<a href="#">16</a>
[8] Mounting kit DARQ-K...R13	<ul style="list-style-type: none"> <li>• DARQ-K-V... (female square and male square)</li> <li>• DARQ-K-V... (two-flats and male square)</li> </ul>	<a href="#">17</a>
[9] Mounting flange adapter DARQ	Drive outlet function	<a href="#">17</a>
[10] Mounting flange adapter DARQ	Reducing outletfunction	<a href="#">17</a>

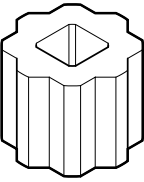
## Accessories

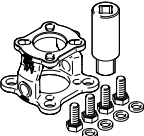
Hand lever VAOH				
	Description	Product weight	Part no.	Type
	For connection Rp1/4 ... Rp1/2	50 g	4650069	VAOH-F10-D7-H9-A
	For connection Rp3/4 ... Rp1	75 g	4650070	VAOH-F10-D9-H9-A
	For connection Rp1 1/4 ... Rp1 1/2	145 g	4650071	VAOH-F10-D12-H9-A

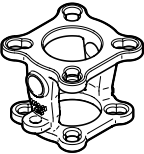
Hand lever VAOH				
	Description	Product weight	Part no.	Type
	For connection Rp1/4 ... Rp2	100 g	542702	VAOH-9-H9
	For connection Rp1 1/4 ... Rp1 1/2	200 g	542703	VAOH-11-H9
	For connection Rp2	300 g	542704	VAOH-14-H9

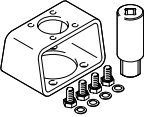
Reducing sleeve DARQ				
	Length	Part no.	Type	
	11 mm	8082140	DARQ-R-A-S11-S9-11-P10	
		8082131	DARQ-R-A-S11-S9-11-P5	
		8082117	DARQ-R-A-S11-S9-11	
		8082145	DARQ-R-A-S11-S9-11-P50	
	12 mm	8082130	DARQ-R-A-S11-S8-12-P5	
		8082116	DARQ-R-A-S11-S8-12	
		16 mm	8086383	DARQ-R-A-S14-S8-16
			8082120	DARQ-R-A-S14-S11-16
			8082121	DARQ-R-A-S14-S12-16
			8082147	DARQ-R-A-S14-S11-16-P50
			8082142	DARQ-R-A-S14-S11-16-P10
			8082132	DARQ-R-A-S14-S9-16-P5
	8082133		DARQ-R-A-S14-S11-16-P5	
	8086388		DARQ-R-A-S14-S8-16-P5	
	17 mm	8082118	DARQ-R-A-S14-S9-16	
		8082146	DARQ-R-A-S14-S9-16-P50	
		8082141	DARQ-R-A-S14-S9-16-P10	
		8082119	DARQ-R-A-S14-S10-16	
		8086384	DARQ-R-A-S17-S8-17	
		8086385	DARQ-R-A-S17-S12-17	
		8082122	DARQ-R-A-S17-S11-17	
		8082148	DARQ-R-A-S17-S11-17-P50	
		8096914	DARQ-R-A-S17-S9-17	
		8082134	DARQ-R-A-S17-S11-17-P5	
		8082135	DARQ-R-A-S17-S14-17-P5	
		8082143	DARQ-R-A-S17-S14-17-P10	
	22 mm	8086389	DARQ-R-A-S17-S12-17-P5	
		8082123	DARQ-R-A-S17-S14-17	
		8086386	DARQ-R-A-S22-S11-22	
		8082149	DARQ-R-A-S22-S17-22-P50	
		8082144	DARQ-R-A-S22-S17-22-P10	
		8082126	DARQ-R-A-S22-S17-22	
8082125		DARQ-R-A-S22-S16-22		
8082136		DARQ-R-A-S22-S14-22-P5		
8082137	DARQ-R-A-S22-S17-22-P5			
8082124	DARQ-R-A-S22-S14-22			

## Accessories

Reducing sleeve DARQ			
	Length	Part no.	Type
	27 mm	8082127	DARQ-R-A-S27-S22-27
		8082138	DARQ-R-A-S27-S22-27-P5
		8086387	DARQ-R-A-S27-S17-27
	36 mm	8082139	DARQ-R-A-S36-S27-36-P5
		8082128	DARQ-R-A-S36-S27-36
		8096913	DARQ-R-A-S27-S14-27
		8096915	DARQ-R-A-S36-S22-36
		8082129	DARQ-R-A-S46-S36-46
	46 mm		

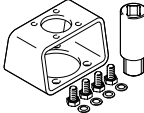
Mounting kit DARQ			
	Product weight	Part no.	Type
	232 g	8088299	DARQ-K-V-F04S11-F03S9-R1
	255 g	8088301	DARQ-K-V-F05S14-F03S9-R1
	342 g	8088297	DARQ-K-V-F05S14-F04S11-R1
	563 g	8088302	DARQ-K-V-F07S17-F04S11-R1
	771 g	8088303	DARQ-K-V-F07S17-F05S14-R1
	1,515 g	8088300	DARQ-K-V-F10S22-F05S14-R1
	2,010 g	8088298	DARQ-K-V-F10S22-F07S17-R1

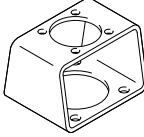
Mounting flange adapter DARQ			
	Product weight	Part no.	Type
	120 g	8087462	DARQ-B-F0405-F0304-R1
	300 g	8087463	DARQ-B-F0507-F0405-R1
	950 g	8087464	DARQ-B-F1012-F10-R1
	1,610 g	8087465	DARQ-B-F0710-F0507-R1

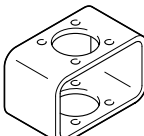
Mounting kit DARQ-K-V-...R13			
	Product weight	Part no.	Type
	392 g	8084186	DARQ-K-V-F03S9-F03S9-R13
	410 g	8084187	DARQ-K-V-F04S11-F03S9-R13
	480 g	8084188	DARQ-K-V-F04S11-F04S11-R13
	630 g	8084189	DARQ-K-V-F05S14-F03S9-R13
	725 g	8084190	DARQ-K-V-F05S14-F04S11-R13
	823 g	8084192	DARQ-K-V-F07S17-F04S11-R13
	830 g	8084191	DARQ-K-V-F05S14-F05S14-R13
	866 g	8132814	DARQ-K-V-F07S17-F03S9-R13
	926 g	8084193	DARQ-K-V-F07S17-F05S14-R13
	980 g	8084194	DARQ-K-V-F07S17-F07S14-R13
	986 g	8084195	DARQ-K-V-F07S22-F05S11-R13
	1,410 g	8133487	DARQ-K-V-F10S22-F04S11-R13
	1,432 g	8084196	DARQ-K-V-F10S22-F05S14-R13
	1,935 g	8084199	DARQ-K-V-F10S27-F05S14-R13
	2,045 g	8084197	DARQ-K-V-F10S22-F07S17-R13
	2,113 g	8084198	DARQ-K-V-F10S22-F10S22-R13
	2,116 g	8084200	DARQ-K-V-F10S27-F07S17-R13
	2,134 g	8086439	DARQ-K-V-F10S27-F07S14-R13
	2,615 g	8084201	DARQ-K-V-F12S27-F07S17-R13
	2,655 g	8131545	DARQ-K-V-F12S27-F07S14-R13
	2,728 g	8133486	DARQ-K-V-F12S27-F05S14-R13
	2,753 g	8084202	DARQ-K-V-F12S27-F10S22-R13
	3,552 g	8084203	DARQ-K-V-F12S27-F12S27-R13



## Accessories

Mounting kit DARQ-K-Z-...R13			
	Product weight	Part no.	Type
	385 g	8085017	DARQ-K-Z-F03S9-F03S9-R13
	400 g	8085016	DARQ-K-Z-F04S11-F03S9-R13
	465 g	8085018	DARQ-K-Z-F04S11-F04S11-R13
	620 g	8085019	DARQ-K-Z-F05S14-F03S9-R13
	710 g	8085020	DARQ-K-Z-F05S14-F04S11-R13
	795 g	8085021	DARQ-K-Z-F05S14-F05S14-R13
	810 g	8085022	DARQ-K-Z-F07S17-F04S11-R13
	890 g	8085023	DARQ-K-Z-F07S17-F05S14-R13
	945 g	8085024	DARQ-K-Z-F07S17-F07S14-R13
	1,396 g	8085026	DARQ-K-Z-F10S22-F05S14-R13
	1,970 g	8085027	DARQ-K-Z-F10S22-F07S17-R13
	1,980 g	8085025	DARQ-K-Z-F10S22-F10S22-R13

Mounting flange adapter DARQ, function drive outlet			
	Product weight	Part no.	Type
	270 g	8082978	DARQ-B-F04-F03-R13
	442 g	8082980	DARQ-B-F05-F03-R13
	461 g	8082981	DARQ-B-F05-F04-R13
	514 g	8082983	DARQ-B-F07-F04-R13
	530 g	8082984	DARQ-B-F07-F05-R13
	836 g	8082986	DARQ-B-F10-F05-R13
	920 g	8082987	DARQ-B-F10-F07-R13
	1,504 g	8082989	DARQ-B-F12-F07-R13
	1,688 g	8082990	DARQ-B-F12-F10-R13
	1,775 g	8082992	DARQ-B-F14-F10-R13
	1,889 g	8082993	DARQ-B-F14-F12-R13
	2,305 g	8083005	DARQ-B-F05-F04-R13-P5
	2,648 g	8082995	DARQ-B-F16-F12-R13
	2,650 g	8083007	DARQ-B-F07-F05-R13-P5
	2,792 g	8082996	DARQ-B-F16-F14-R13
	4,600 g	8083009	DARQ-B-F10-F07-R13-P5
	14,734 g	8082998	DARQ-B-F25-F14-R13
	15,384 g	8082999	DARQ-B-F25-F16-R13
	16,740 g	8083001	DARQ-B-F30-F16-R13
	20,250 g	8083002	DARQ-B-F30-F25-R13

Mounting flange adapter DARQ, function reducing outlet			
	Product weight	Part no.	Type
	260 g	8082977	DARQ-B-F03-F03-R13
	275 g	8082979	DARQ-B-F04-F04-R13
	478 g	8082982	DARQ-B-F05-F05-R13
	583 g	8082985	DARQ-B-F07-F07-R13
	1,037 g	8082988	DARQ-B-F10-F10-R13
	1,375 g	8083004	DARQ-B-F04-F04-R13-P5
	1,802 g	8082991	DARQ-B-F12-F12-R13
	1,976 g	8082994	DARQ-B-F14-F14-R13
	2,390 g	8083006	DARQ-B-F05-F05-R13-P5
	2,844 g	8082997	DARQ-B-F16-F16-R13
	2,915 g	8083008	DARQ-B-F07-F07-R13-P5
	5,185 g	8083010	DARQ-B-F10-F10-R13-P5
	18,895 g	8083000	DARQ-B-F25-F25-R13
	21,644 g	8083003	DARQ-B-F30-F30-R13