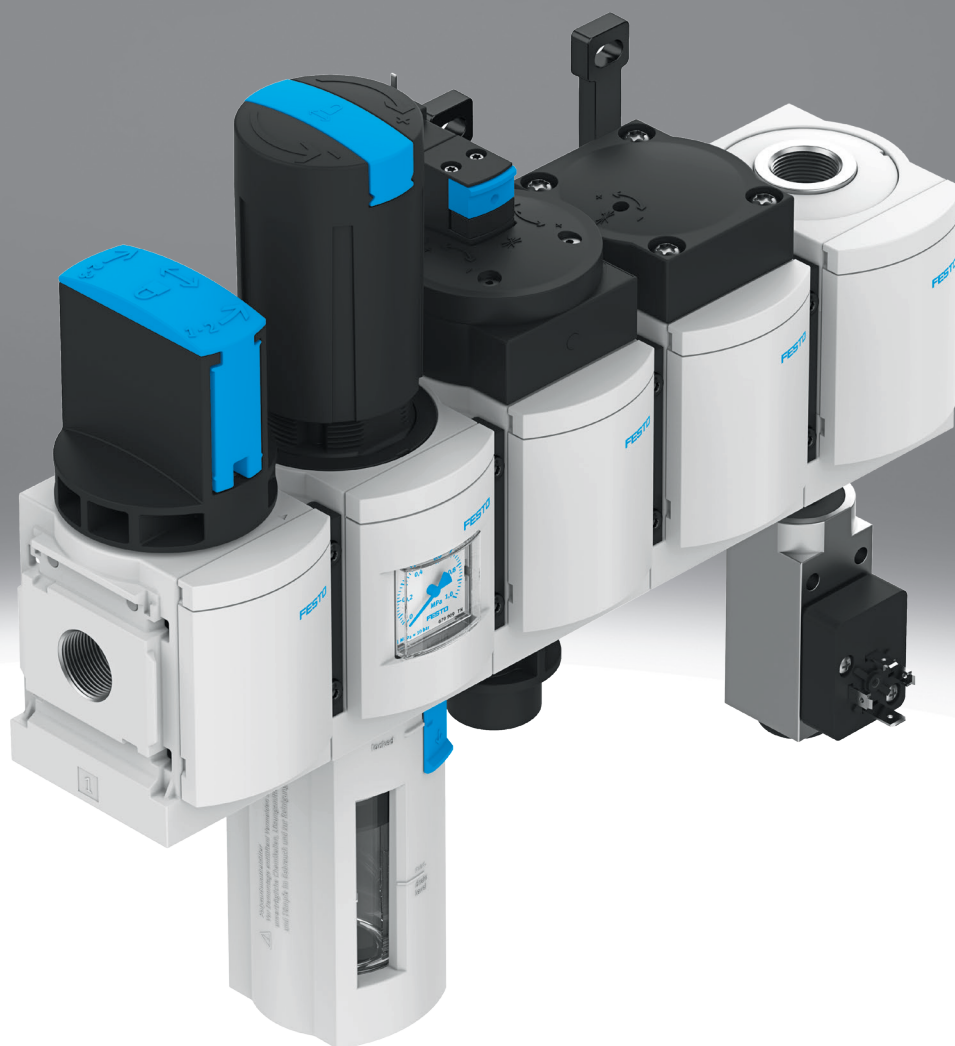


Service unit combination MSB6

FESTO



Characteristics

At a glance

Predefined or freely configurable service unit combinations.

- Grid dimension: 62 mm
- Depending on the application, consisting of filter regulator, filter, lubricator, on/off valve, soft-start valve, branching module

Product segmentation



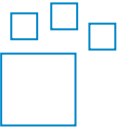
Festo Core Range

Solves the majority of your automation tasks

With the Festo Core Range, we have selected the most important products and functions from our broad product catalogue, and added the quickest delivery. the Core Range offers you the best value with the expected high Festo quality.

- Quickest delivery, worldwide – wherever, whenever
- Expected high Festo quality
- Easy and fast to select

Ordering data - modular system



Configurable product

This product and all its product options can be ordered online via the configurator.

Engineering tools

[Link](#)  [engineering tools](#)



A selection tool for sizing a suitable service unit component and the correct air purity class can be found under Engineering Tools.

Pneumatic connection

Individual fittings can be connected via connecting plates with female threads.

EU certification

Selected types in accordance with the ATEX directive for potentially explosive atmospheres can be ordered via the configurator.

Flow direction

Available with flow in the opposite direction.

Type code

001	Series	
MSB	Service unit component MS series	

002	Size	
6	Grid dimension 62 mm	

003	Pneumatic connection	
1/4	Female thread G1/4	
3/8	Female thread G3/8	
1/2	Female thread G1/2	
AGB	Sub-base G1/4	
AGC	Sub-base G3/8	
AGD	Sub-base G1/2	
AGE	Sub-base G3/4	
AQN	Sub-base 1/4 NPT	
AQP	Sub-base 3/8 NPT	
AQR	Sub-base 1/2 NPT	
AQS	Sub-base 3/4 NPT	

004	Service unit component equipment	
...	For selection, see overview list	

005	Type of mounting	
	Without mounting bracket	
WP	Mounting bracket basic design	
WPB	Mounting bracket for large wall gap	
WPM	Mounting bracket for hooking in service unit components	

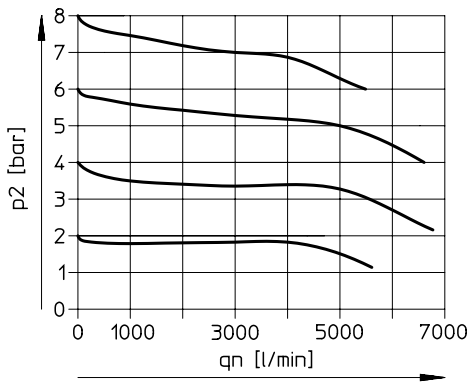
006	EU certification	
	None	
EX2	II 3GD to EU Explosion Protection Directive (ATEX)	
EX4	II 2GD	

007	UL certification	
	None	
UL1	cULus ordinary location for Canada and USA	

008	Flow direction	
	Flow direction from left to right	
Z	Flow direction from right to left	

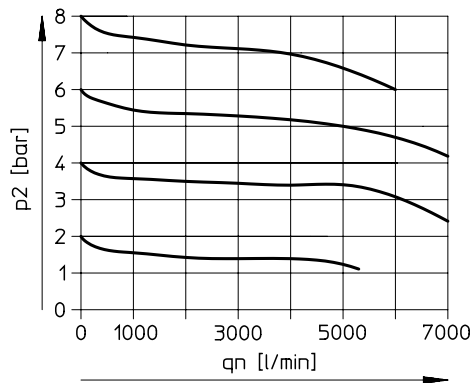
Datasheet

Standard flow rate q_n as a function of output pressure p_2 (combination 1)



Grade of filtration 5 μm
Pressure regulation range 0.5 ... 12 bar
Primary pressure $p_1 = 10$ bar

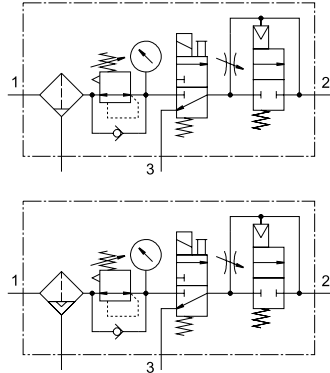
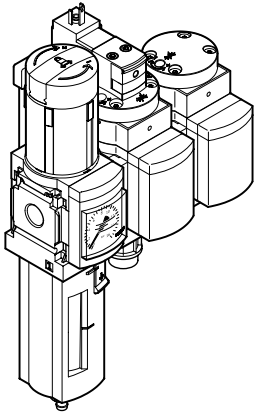
Standard flow rate q_n as a function of output pressure p_2 (combination 1)



Grade of filtration 40 μm
Pressure regulation range 0.5 ... 12 bar
Primary pressure $p_1 = 10$ bar

Datasheet

Technical data – Combination 2



- For filtered and unlubricated compressed air supply.
- Output pressure is infinitely adjustable within the pressure regulation range
- Gradual pressure build-up prevents sudden, unpredictable movements.
- When the unit is switched off, quick exhausting ensures rapid pressure reduction.

Setup:

- Filter regulator MS6-LFR-D7 with pressure gauge
- On/off valve MS6-EE-V24, electrically actuated
- Soft-start valve MS6-DL, pneumatically actuated
- Mounting bracket MS6-WP

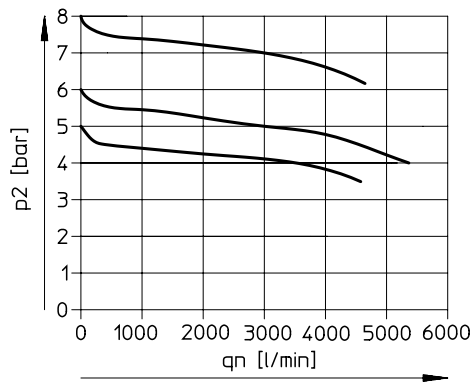
Size	6	
Condensate drain	Fully automatic	Manually rotating
Grade of filtration	40 µm	
Condensate drain	Automatic	Manually
Pneumatic connection, port 1	G1/2	
Pneumatic connection, port 2	G1/2	
Controller function	Output pressure constant Via primary pressure compensation With secondary venting With return flow function	
Type of mounting	With accessories	
Mounting position	Vertical +/-5°	
Air purity class at output	Compressed air to ISO 8573-1:2010 [7:4:4]	
Bowl guard	Plastic bowl guard	
Actuator lock	Rotary knob with detent can be closed with accessories	
Pressure gauge (ANALOG) or Pressure display (DIGITAL)	With pressure gauge	
Pressure regulation range	4 ... 12 bar	
Operating pressure	4.5 ... 12 bar	4.5 ... 18 bar
Operating medium	Compressed air to ISO 8573-1:2010 [7:4:-], Inert gases	Compressed air to ISO 8573-1:2010 [-:4:-], Inert gases
Note on operating and pilot medium	Lubricated operation possible (in which case lubricated operation will always be required)	
Ambient temperature	5 ... 60°C	-10 ... 60°C
Media temperature	5 ... 60°C	-10 ... 60°C
Storage temperature	-10 ... 60°C	
Corrosion resistance class CRC ¹⁾	2 - Moderate corrosion stress	
Suitable for use with food ²⁾	See supplementary material information	
Material housing	Die-cast aluminium	
Material bowl	PC	
LABS (PWIS) conformity	VDMA24364-B1/B2-L	

1) More information www.festo.com/x/topic/kbk

2) More information www.festo.com/catalogue/msb6 → Support/Downloads.

Datasheet

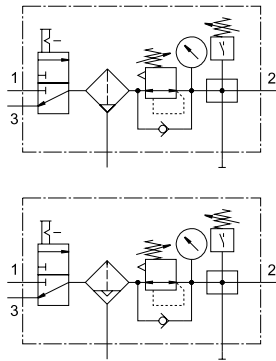
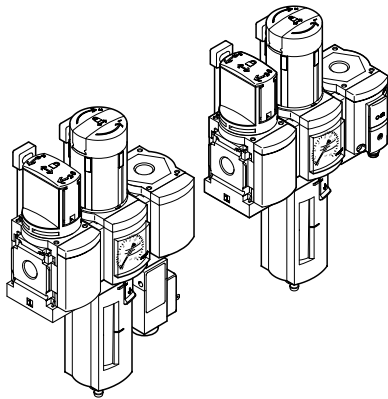
Standard flow rate q_n as a function of output pressure p_2 (combination 2)



Grade of filtration 40 μm
Pressure regulation range 4 ... 12 bar
Primary pressure $p_1 = 10$ bar

Datasheet

Technical data – Combination 3



- For filtered and unlubricated compressed air supply.
- Supply pressure can be switched on or off
- Output pressure is infinitely adjustable within the pressure regulation range
- Electrical pressure monitoring with adjustable switching pressure.

Setup:

- On/off valve MS6-EM1, manually operated
- Filter control valve MS6-LFR with pressure gauge
- Branching module MS6-FRM-Y with pressure switch or MS6-FRM-AD7 with pressure sensor for switching indicator
- Mounting bracket MS6-WP

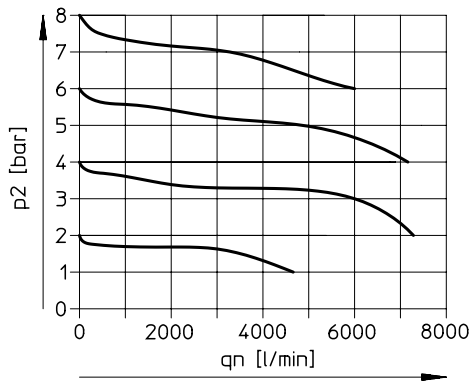
Size	6	
Condensate drain	Fully automatic	Manually rotating
Grade of filtration	40 µm	
Pneumatic connection, port 1	G1/2	
Pneumatic connection, port 2	G1/2	
Controller function	Output pressure constant Via primary pressure compensation With secondary venting With return flow function	
Type of mounting	With accessories	
Mounting position	Vertical +/-5°	
Air purity class at output	Compressed air to ISO 8573-1:2010 [7:4:4]	
Bowl guard	Plastic bowl guard	
Actuator lock	Rotary knob with detent can be closed with accessories	
Pressure gauge (ANALOG) or Pressure display (DIGITAL)	With pressure gauge	
Pressure regulation range	0.5 ... 12 bar	
Operating pressure	2 ... 12 bar	0.8 ... 18 bar
Operating medium	Compressed air to ISO 8573-1:2010 [7:4:4], Inert gases	
Note on operating and pilot medium	Lubricated operation possible (in which case lubricated operation will always be required)	
Ambient temperature	5 ... 60°C	-10 ... 60°C
Media temperature	5 ... 60°C	-10 ... 60°C
Storage temperature	-10 ... 60°C	
Corrosion resistance class CRC ¹⁾	2 - Moderate corrosion stress	
Suitable for use with food ²⁾	See supplementary material information	
Material housing	Die-cast aluminium	
Material bowl	PC	
LABS (PWIS) conformity	VDMA24364-B1/B2-L	

1) More information www.festo.com/x/topic/kbk

2) More information www.festo.com/catalogue/msb6 → Support/Downloads.

Datasheet

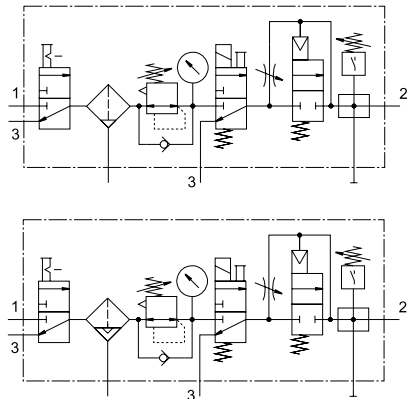
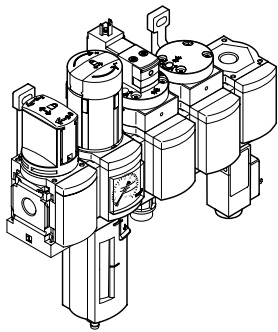
Standard flow rate q_n as a function of output pressure p_2 (combination 3)



Grade of filtration 40 μm
Pressure regulation range 0.5 ... 12 bar
Primary pressure $p_1 = 10$ bar

Datasheet

Technical data – Combination 4



- For filtered and unlubricated compressed air supply.
- Supply pressure can be switched on or off
- Output pressure is infinitely adjustable within the pressure regulation range
- Gradual pressure build-up prevents sudden, unpredictable movements.
- To shut off and exhaust the downstream device or the system
- Electrical pressure monitoring with adjustable switching pressure.

Setup:

- On/off valve MS6-EM1, manually operated
- Filter regulator MS6-LFR-D7 with pressure gauge
- On/off valve MS6-EE-V24, electrically actuated
- Soft-start valve MS6-DL, pneumatically actuated
- Branching module MS6-FRM-Y with pressure switch without display
- Mounting bracket MS6-WP

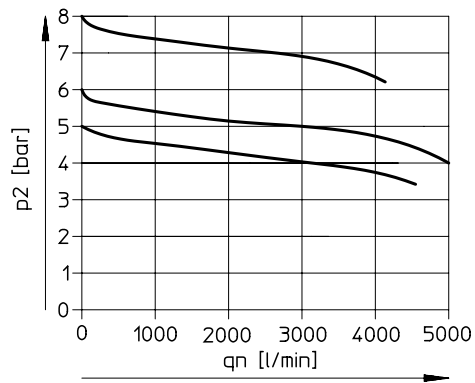
Size	6			
Condensate drain	Fully automatic		Manually rotating	
Grade of filtration	5 µm	40 µm	5 µm	40 µm
Pneumatic connection, port 1	G1/2			
Pneumatic connection, port 2	G1/2			
Controller function	Output pressure constant Via primary pressure compensation With secondary venting With return flow function			
Type of mounting	With accessories			
Mounting position	Vertical +/-5°			
Air purity class at output	Compressed air to ISO 8573-1:2010 [6:4:4]	Compressed air to ISO 8573-1:2010 [7:4:4]	Compressed air to ISO 8573-1:2010 [6:4:4]	Compressed air to ISO 8573-1:2010 [7:4:4]
Bowl guard	Plastic bowl guard			
Actuator lock	Rotary knob with detent can be closed with accessories			
Pressure gauge (ANALOG) or Pressure display (DIGITAL)	With pressure gauge			
Pressure regulation range	4 ... 12 bar			
Operating pressure	4.5 ... 12 bar		4.5 ... 18 bar	
Operating medium	Compressed air to ISO 8573-1:2010 [7:4:4], Inert gases			
Note on operating and pilot medium	Lubricated operation possible (in which case lubricated operation will always be required)			
Ambient temperature	5 ... 60°C		-10 ... 60°C	
Media temperature	5 ... 60°C		-10 ... 60°C	
Storage temperature	-10 ... 60°C			
Corrosion resistance class CRC ¹⁾	2 - Moderate corrosion stress			
Suitable for use with food ²⁾	See supplementary material information			
Material housing	Die-cast aluminium			
Material bowl	PC			
LABS (PWIS) conformity	VDMA24364-B1/B2-L			

1) More information www.festo.com/x/topic/kbk

2) More information www.festo.com/catalogue/msb6 → Support/Downloads.

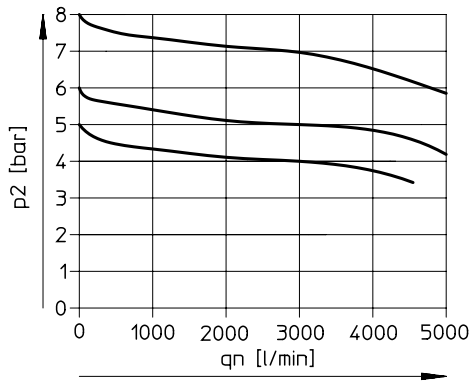
Datasheet

Standard flow rate q_n as a function of output pressure p_2 (Combination 4)



Grade of filtration 5 μm
Pressure regulation range 4 ... 12 bar
Primary pressure $p_1 = 10$ bar

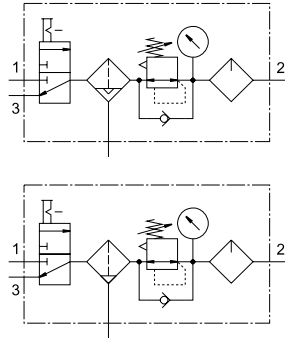
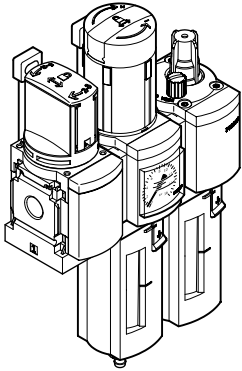
Standard flow rate q_n as a function of output pressure p_2 (Combination 4)



Grade of filtration 40 μm
Pressure regulation range 4 ... 12 bar
Primary pressure $p_1 = 10$ bar

Datasheet

Technical data – Combination 5



- For filtered and lubricated compressed air supply.
- Supply pressure can be switched on or off
- Output pressure is infinitely adjustable within the pressure regulation range

Setup:

- On/off valve MS6-EM1, manually operated
- Filter regulator MS6-LFR-D7 with pressure gauge
- Lubricator MS6-LOE-R
- Mounting bracket MS6-WP

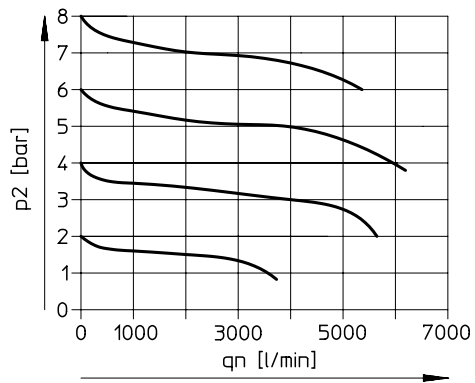
Size	6	
Condensate drain	Fully automatic	Manually rotating
Grade of filtration	40 µm	
Pneumatic connection, port 1	G1/2	
Pneumatic connection, port 2	G1/2	
Controller function	Output pressure constant Via primary pressure compensation With secondary venting With return flow function	
Type of mounting	With accessories	
Mounting position	Vertical +/-5°	
Air purity class at output	Compressed air to ISO 8573-1:2010 [7:4:-]	
Bowl guard	Plastic bowl guard	
Actuator lock	Rotary knob with detent can be closed with accessories	
Pressure gauge (ANALOG) or Pressure display (DIGITAL)	With pressure gauge	
Pressure regulation range	1 ... 12 bar	
Operating pressure	2 ... 12 bar	1.5 ... 18 bar
Operating medium	Compressed air to ISO 8573-1:2010 [7:4:4], Inert gases	
Note on operating and pilot medium	Lubricated operation possible (in which case lubricated operation will always be required)	
Ambient temperature	5 ... 60°C	-10 ... 60°C
Media temperature	5 ... 60°C	-10 ... 60°C
Storage temperature	-10 ... 60°C	
Corrosion resistance class CRC ¹⁾	2 - Moderate corrosion stress	
Suitable for use with food ²⁾	See supplementary material information	
Material housing	Die-cast aluminium	
Material bowl	PC	
LABS (PWIS) conformity	VDMA24364-B1/B2-L	

1) More information www.festo.com/x/topic/kbk

2) More information www.festo.com/catalogue/msb6 → Support/Downloads.

Datasheet

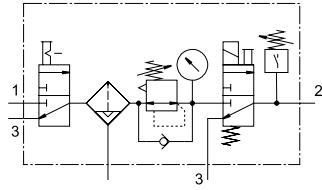
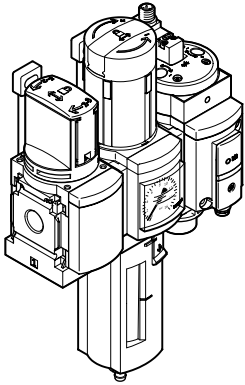
Standard flow rate q_n as a function of output pressure p_2 (combination 5)



Grade of filtration 40 μm
Pressure regulation range 1 ... 12 bar
Primary pressure $p_1 = 10$ bar

Datasheet

Technical data – Combination 6



- For filtered and unlubricated compressed air supply.
- Supply pressure can be switched on or off
- Output pressure is infinitely adjustable within the pressure regulation range
- When the unit is switched off, quick exhausting ensures rapid pressure reduction.
- Electrical pressure monitoring with adjustable switching pressure.

Setup:

- On/off valve MS6-EM1, manually operated
- Filter control valve MS6-LFR with pressure gauge
- On/off valve MS6-EE-10V24P-AD7, electrically operated, with pressure sensor for switching indicator
- Mounting bracket MS6-WP

Size	6
Condensate drain	Manually rotating
Grade of filtration	40 µm
Pneumatic connection, port 1	G1/2
Pneumatic connection, port 2	G1/2
Controller function	Output pressure constant Via primary pressure compensation With secondary venting With return flow function
Type of mounting	With accessories
Mounting position	Vertical +/-5°
Air purity class at output	Compressed air to ISO 8573-1:2010 [7:4:4]
Bowl guard	Plastic bowl guard
Actuator lock	Rotary knob with detent can be closed with accessories
Pressure gauge (ANALOG) or Pressure display (DIGITAL)	With pressure gauge
Pressure regulation range	4 ... 10 bar
Operating pressure	4 ... 18 bar
Operating medium	Compressed air to ISO 8573-1:2010 [7:4:4], Inert gases
Note on operating and pilot medium	Lubricated operation possible (in which case lubricated operation will always be required)
Ambient temperature	0 ... 50°C
Media temperature	0 ... 50°C
Storage temperature	-10 ... 60°C
Corrosion resistance class CRC ¹⁾	2 - Moderate corrosion stress
Suitable for use with food ²⁾	See supplementary material information
Material housing	Die-cast aluminium
Material bowl	PC
LABS (PWIS) conformity	VDMA24364-B1/B2-L

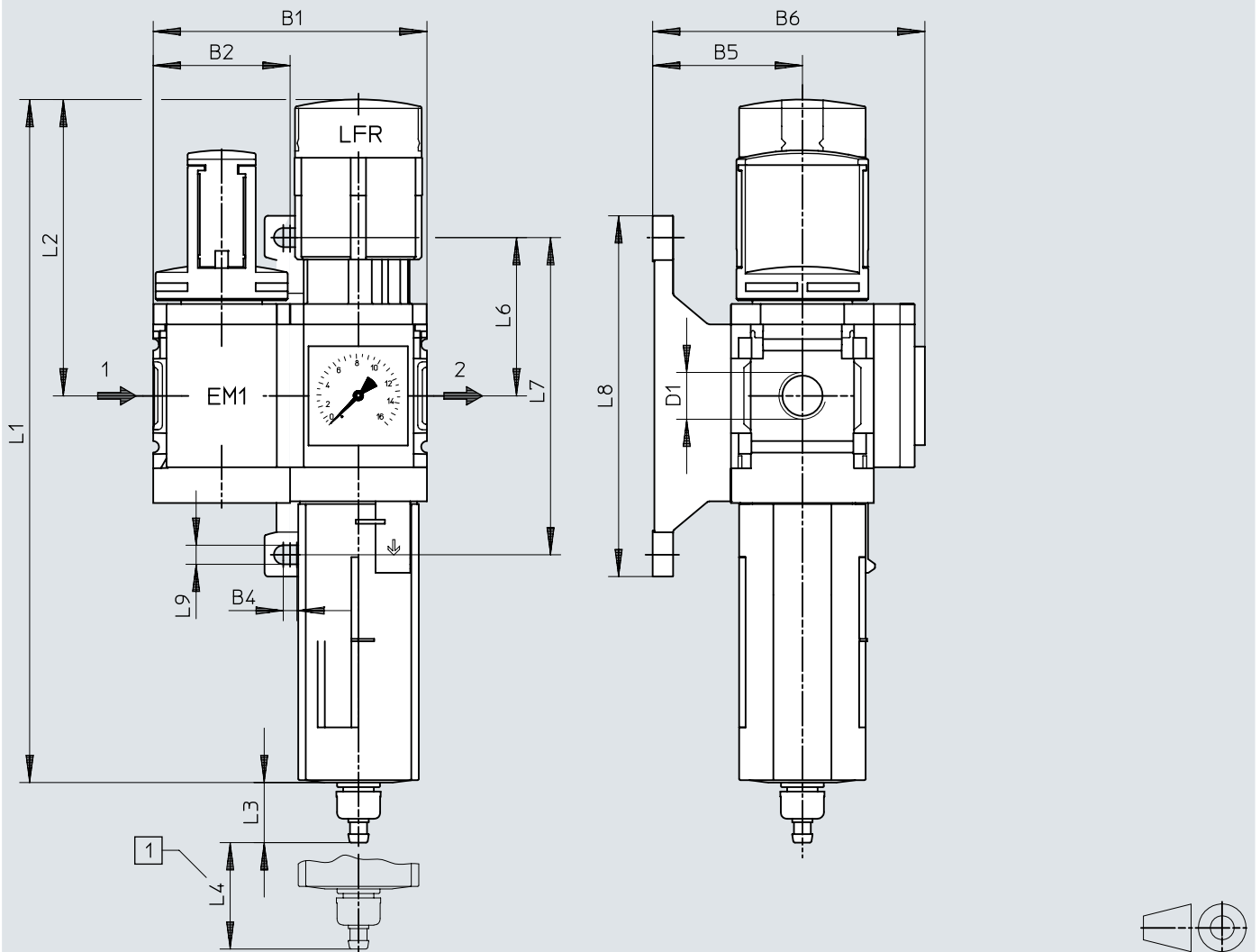
1) More information www.festo.com/x/topic/kbk

2) More information www.festo.com/catalogue/msb6 → Support/Downloads.

Dimensions

Dimensions – Combination 1 – Manually operated on/off valve, filter regulator with pressure gauge

Download CAD data www.festo.com



[1] Installation dimension

	B1	B2	B4	B5	B6	D1	L1	L2
MSB6	124	62	4,5	54	100	G1/2	285	134,5

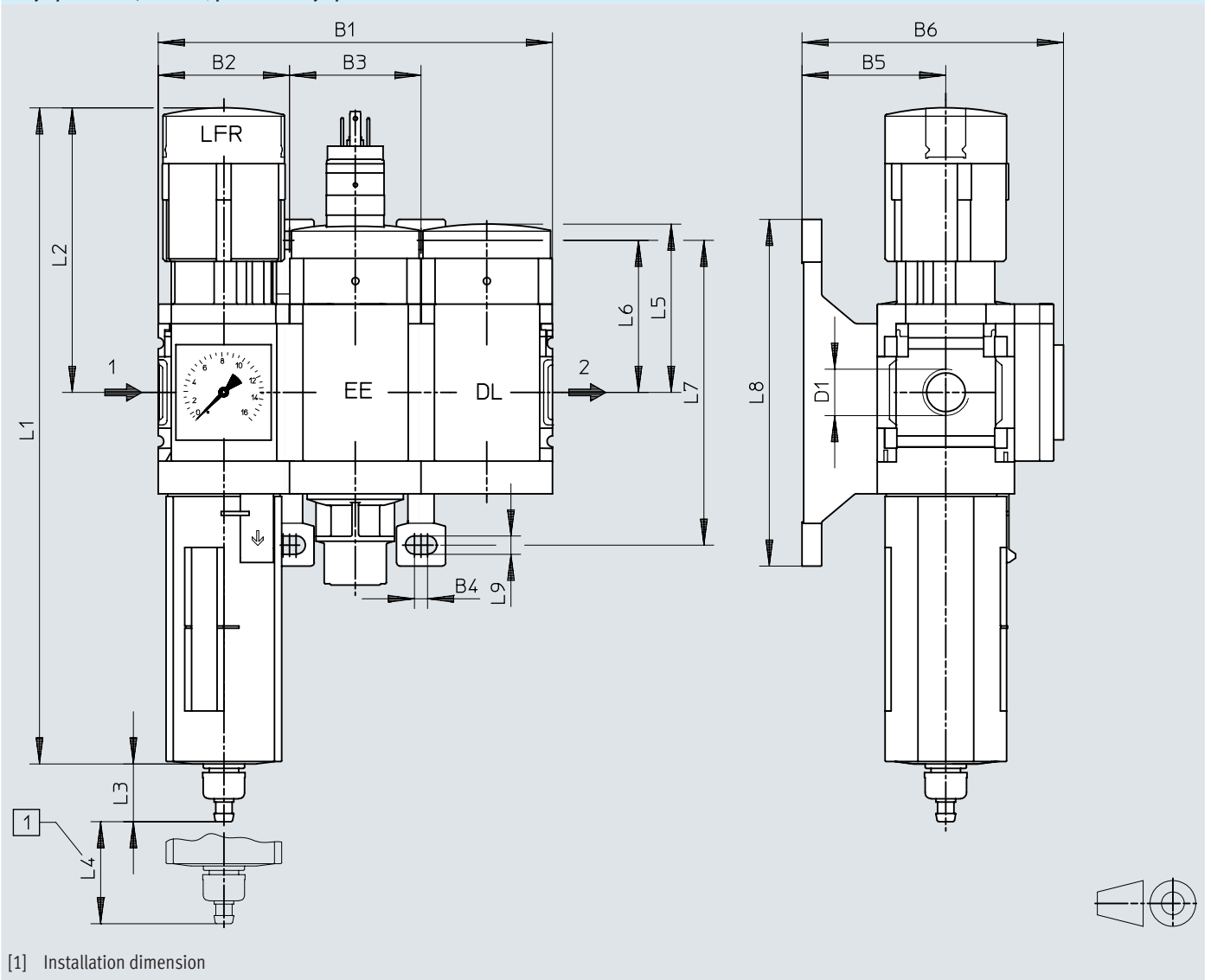
	L3		L4	L6	L7	L8	L9
	1)	2)					
MSB6	15,8	18,5	68	71	142	158	6,6

- 1) Manual condensate drain
- 2) Fully automatic condensate drain

Dimensions

Dimensions – Combination 2 – Filter regulator with pressure gauge, electrically operated on/off valve, pneumatically operated soft-start valve

Download CAD data www.festo.com



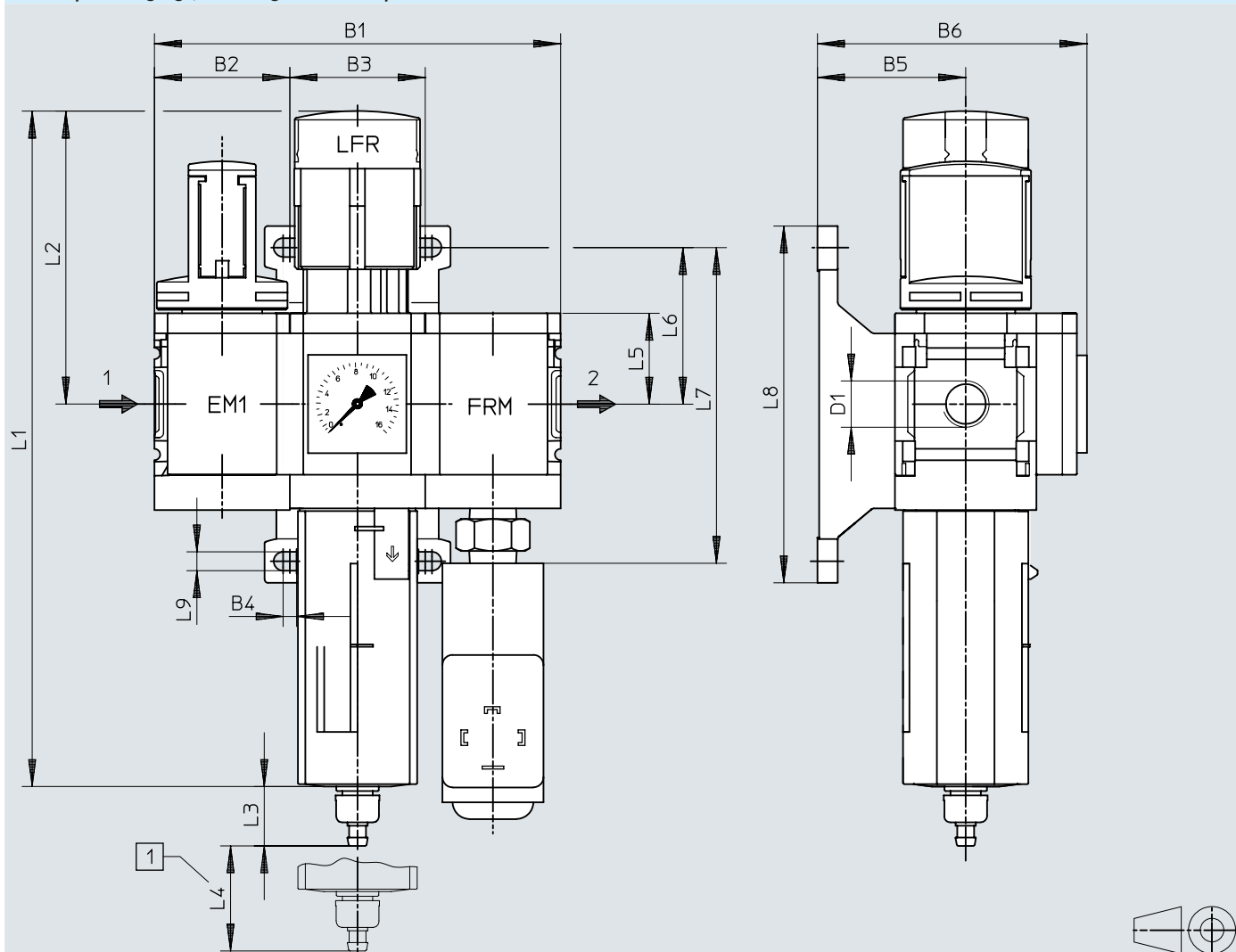
	B1	B2	B3	B4	B5	B6	D1	L1	L2
MSB6	186	62	62	4,5	54	100	G1/2	285	134,5
	L3		L4	L5	L6	L7	L8	L9	
	1)	2)							
MSB6	15,8	18,5	68	71	71	142	158	6,6	

- 1) Manual condensate drain
- 2) Fully automatic condensate drain

Dimensions

Dimensions – Combination 3 – Manually operated on/off valve, filter regulator with pressure gauge, branching module with pressure switch

Download CAD data www.festo.com



[1] Installation dimension

	B1	B2	B3	B4	B5	B6	D1	L1	L2
MSB6	186	62	62	4,5	54	100	G1/2	285	134,5

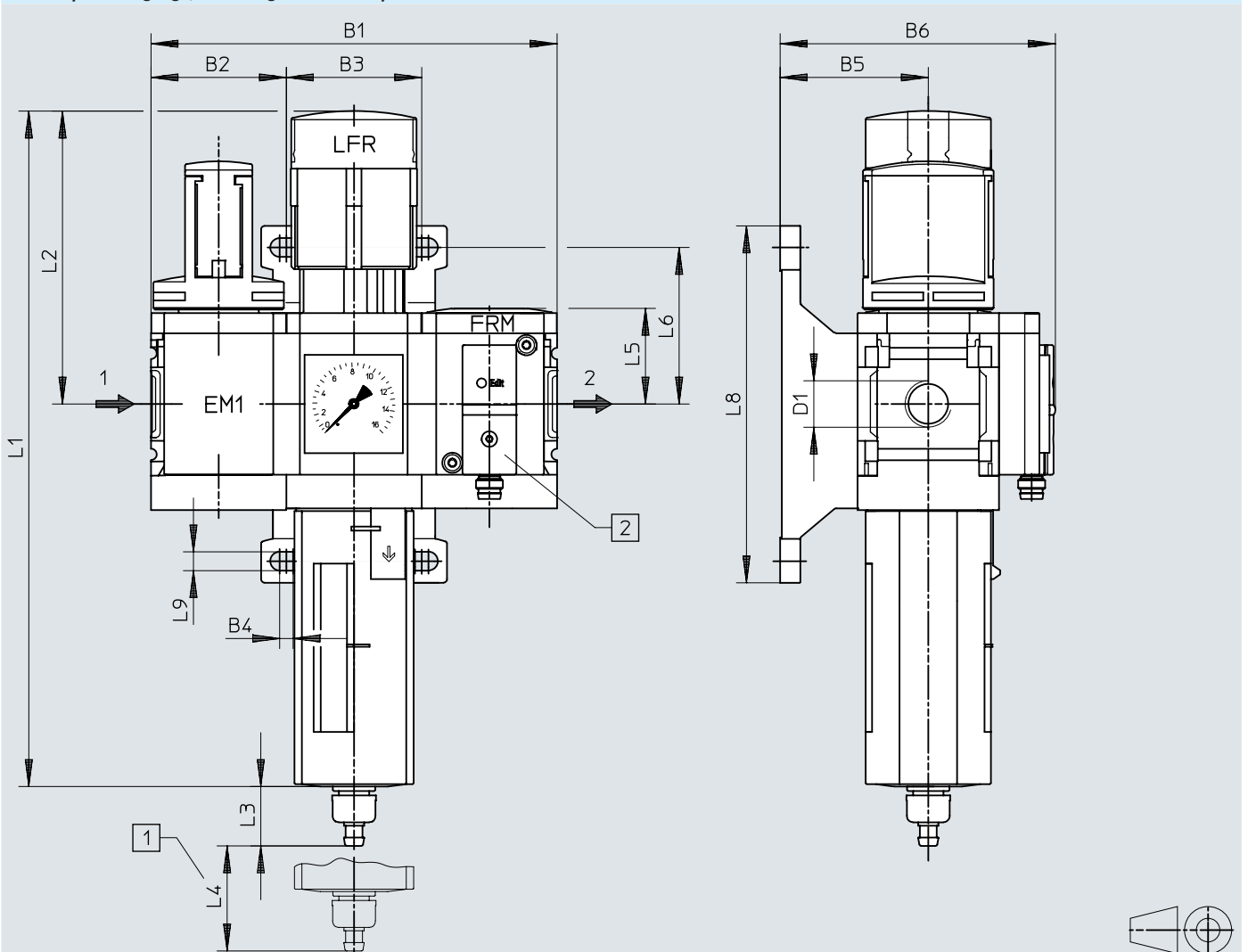
	L3		L4	L5	L6	L7	L8	L9
	1)	2)						
MSB6	15,8	18,5	68	39	71	142	158	6,6

- 1) Manual condensate drain
- 2) Fully automatic condensate drain

Dimensions

Dimensions – Combination 3 – Manually operated on/off valve, filter regulator with pressure gauge, branching module with pressure sensor

Download CAD data www.festo.com



[1] Installation dimension

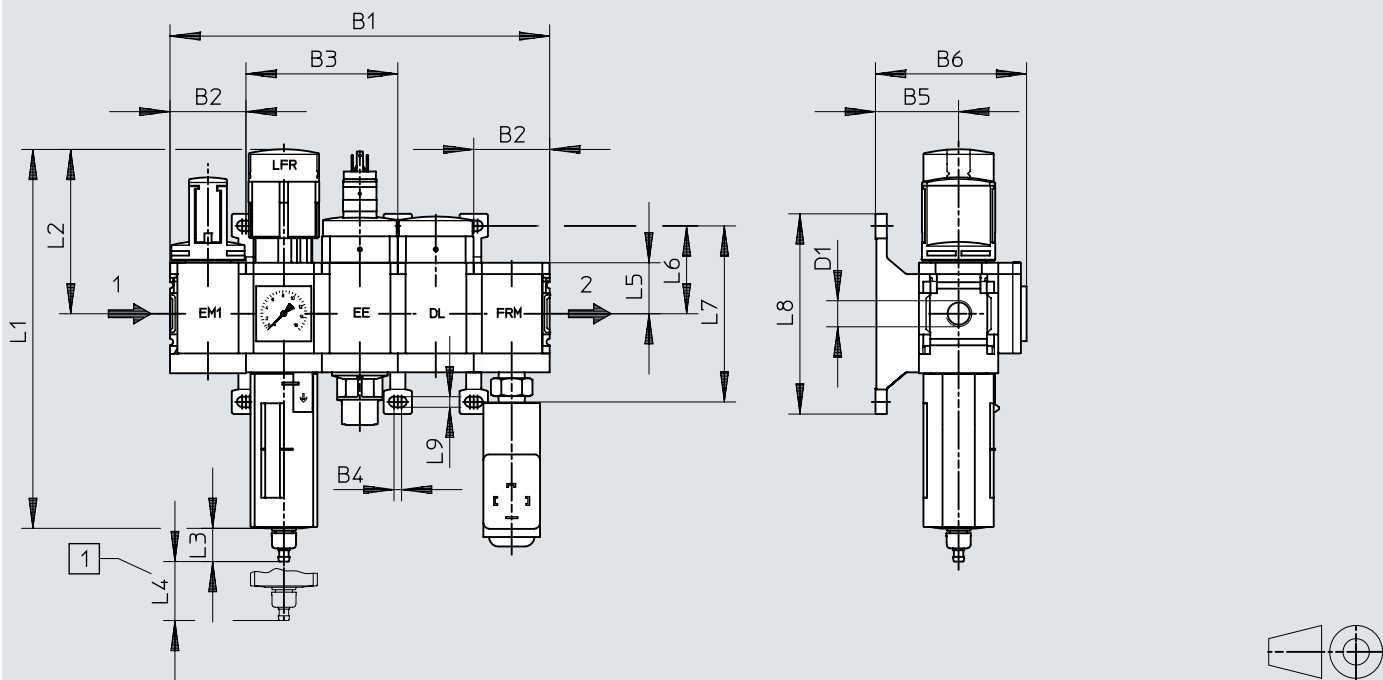
[2] Pressure sensor SDE5-D10-O-...-P-M8 with 3-pin plug M8x1, threshold value comparator, 1 switching output PNP, N/O contact

	B1	B2	B3	B4	B5	B6	D1	L1	L2	L3	L4	L5	L6	L8	L9
MSB6	186	62	62	4,5	54	102	G1/2	285	134,5	15,8	68	41,7	71	158	6,6

Dimensions

Dimensions – Combination 4 – Manually operated on/off valve, filter regulator with pressure gauge, electrically operated on/off valve, pneumatically operated soft-start valve, branching module with pressure switch

Download CAD data www.festo.com



[1] Installation dimension

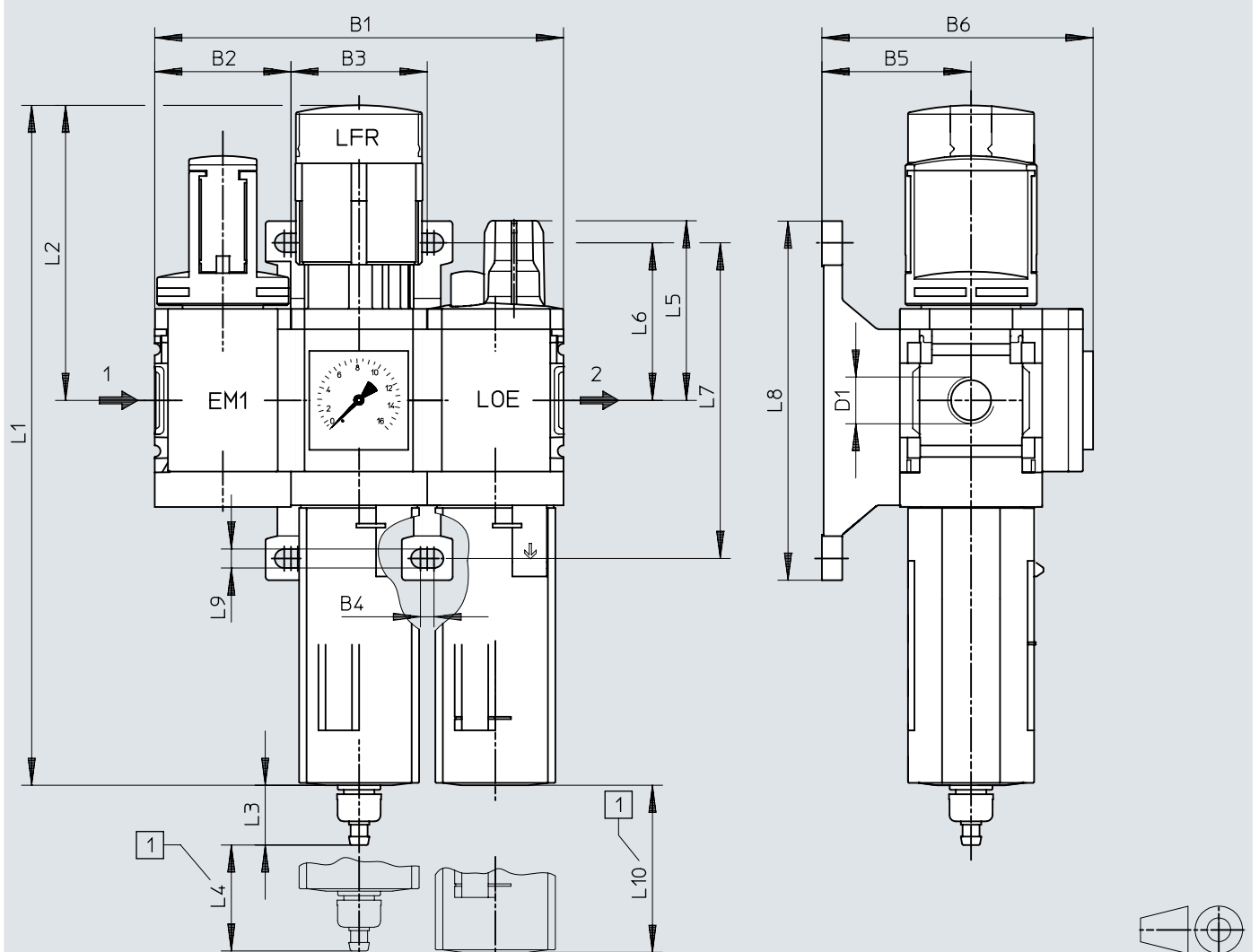
	B1	B2	B3	B4	B5	B6	D1	L1	L2
MSB6	310	62	124	4,5	54	100	G1/2	285	134,5
	L3		L4	L5	L6	L7	L8	L9	
	1))	2))							
MSB6	15,8	18,5	68	39	71	142	158	6,6	

- 1) Manual condensate drain
- 2) Fully automatic condensate drain

Dimensions

Dimensions – Combination 5 – Manually operated on/off valve, filter regulator with pressure gauge, lubricator

Download CAD data www.festo.com



[1] Installation dimension

	B1	B2	B3	B4	B5	B6	D1	L1	L2
MSB6	186	62	62	4,5	54	100	G1/2	285	134,5

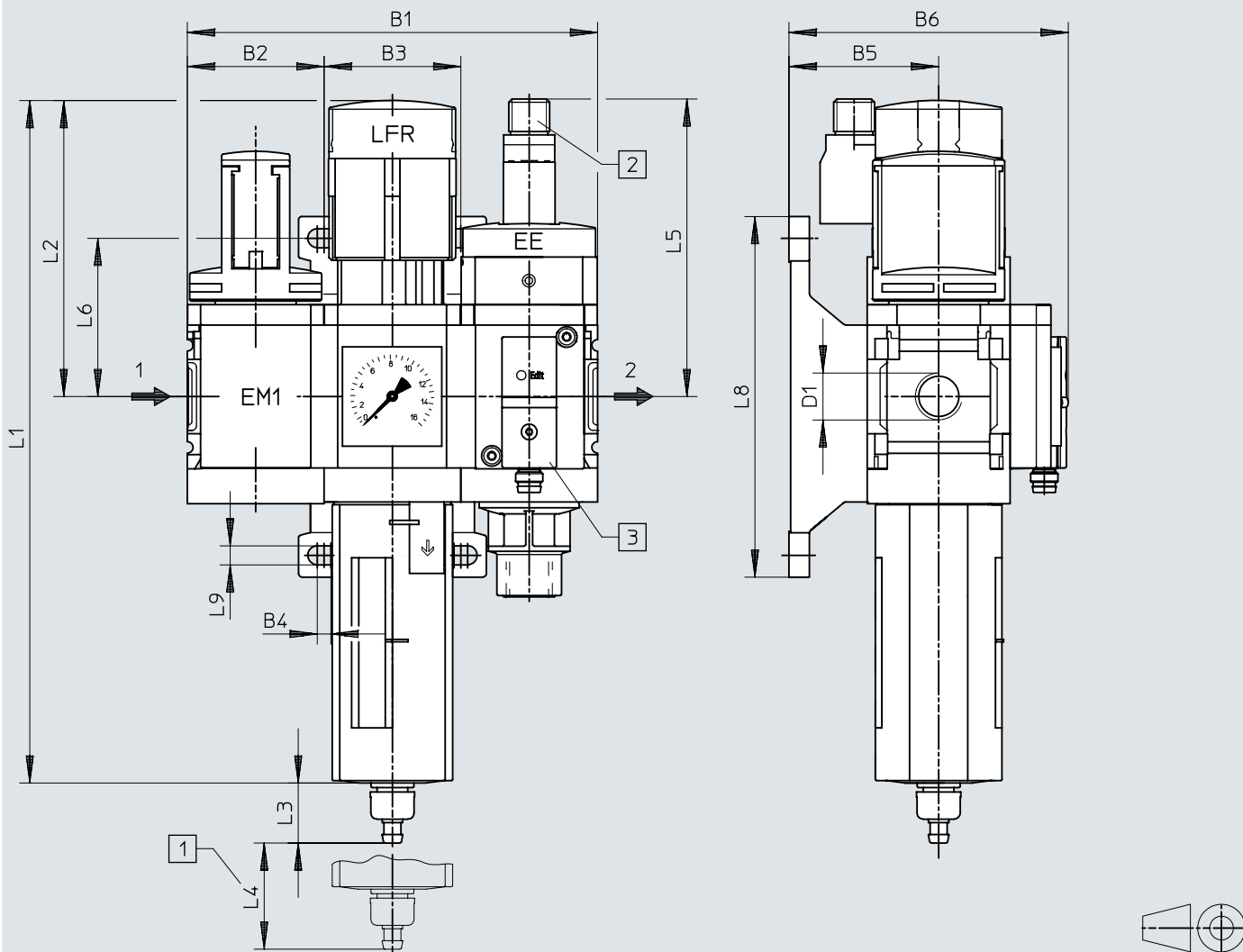
	L3		L4	L5	L6	L7	L8	L9	L10
	1)	2)							
MSB6	15,8	18,5	68	66	71	142	158	6,6	130

- 1) Manual condensate drain
- 2) Fully automatic condensate drain

Dimensions

Dimensions – Combination 6 – Manually operated on/off valve, filter regulator with pressure gauge, electrically operated on/off valve with pressure sensor


Download CAD data www.festo.com





- [1] Installation dimension
- [2] Electrical connection according to IEC 61076-2-101, plug M12x1, 2-pin for NEBA-M12
- [3] Pressure sensor SDE5-D10-O-...-P-M8 with 3-pin plug M8x1, threshold value comparator, 1 switching output PNP, N/O contact


	B1	B2	B3	B4	B5	B6	D1	L1	L2	L3	L4	L5	L6	L8	L9
MSB6	186	62	62	4,5	54	102	G1/2	285	134,5	15,8	68	104	71	158	6,6

Ordering data


Ordering data – Combination 1						
	Pressure regulation range	Condensate drain	Grade of filtration	Product weight	Part no.	Type
	0.5 ... 7 bar	Manually rotating	40 µm	1,100 g	8042672	MSB6-1/2:C3:J120-WP
	0.5 ... 12 bar	Fully automatic	5 µm		542286	MSB6-1/2:C3J4-WP
			40 µm		542274	MSB6-1/2:C3J2-WP
		Manually rotating	5 µm		542280	MSB6-1/2:C3J3-WP
			40 µm		8025355	MSB6-1/2:C3:J1-WP


Ordering data – Combination 2						
	Pressure regulation range	Condensate drain	Grade of filtration	Product weight	Part no.	Type
	4 ... 12 bar	Fully automatic	40 µm	2,400 g	530224	MSB6-1/2:J2D1A1-WP
		Manually rotating			530222	MSB6-1/2:J1D1A1-WP

Ordering data – Combination 3						
	Pressure regulation range	Condensate drain	Grade of filtration	Product weight	Part no.	Type
	0.5 ... 7 bar	Manually rotating	40 µm	2,000 g	8042671	MSB6-1/2:C3:J120:F12-WP
	0.5 ... 10 bar				8025357	MSB6-1/2:C3:J1:F12-WP
	0.5 ... 12 bar	Fully automatic			542276	MSB6-1/2:C3J2F3-WP
		Manually rotating			542270	MSB6-1/2:C3J1F3-WP

Ordering data – Combination 4						
	Pressure regulation range	Condensate drain	Grade of filtration	Product weight	Part no.	Type
	4 ... 12 bar	Fully automatic	5 µm	3,500 g	542287	MSB6-1/2:C3J4D1A1F3-WP
			40 µm		542275	MSB6-1/2:C3J2D1A1F3-WP
		Manually rotating	5 µm		542281	MSB6-1/2:C3J3D1A1F3-WP
			40 µm		542269	MSB6-1/2:C3J1D1A1F3-WP

Ordering data

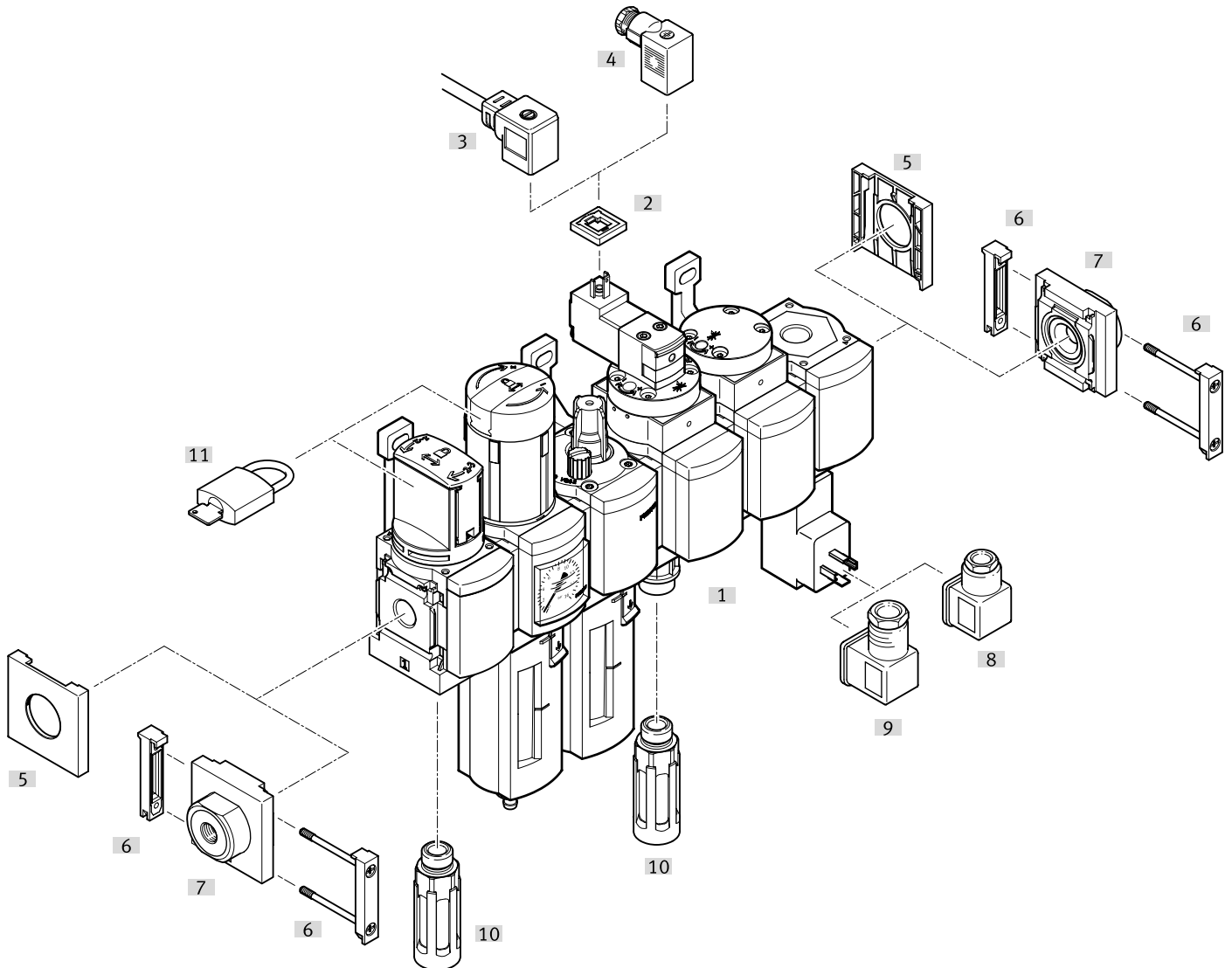
Ordering data – Combination 5						
	Pressure regulation range	Condensate drain	Grade of filtration	Product weight	Part no.	Type
	1 ... 12 bar	Fully automatic	40 µm	1,750 g	542278	MSB6-1/2:C3J2M1-WP
		Manually rotating			542272	MSB6-1/2:C3J1M1-WP

Ordering data – Combination 6						
	Pressure regulation range	Condensate drain	Grade of filtration	Product weight	Part no.	Type
	4 ... 7 bar	Manually rotating	40 µm	2,000 g	8042670	MSB6-1/2:C3J120:D14-WP
	4 ... 10 bar				8025359	MSB6-1/2:C3J1:D14-WP

Ordering data – Modular product system			
	Short type code	Part no.	Type
	MSB6	531030	MSB6

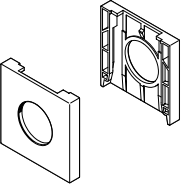
Peripherals

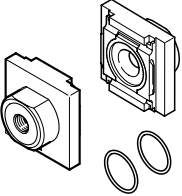
Peripherals overview

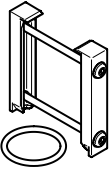


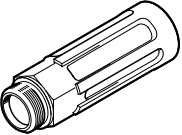
Accessories			→ Link
Type/order code	Description		
[1] Service unit combination MSB6	Illustration using MSB4 as an example		msb6
[2] Illuminating seal MEB-LD			25
[3] Plug socket with cable KMEB			25
[4] Plug socket MSSD-EB			25
[5] Cover cap MS6-END			24
[6] Module connector MS6-MV1			24
[7] Connecting plate SET MS6-AG...	Order code [AG...]		24
[8] Plug socket MSSD-C-4P			25
[9] Angled plug socket PEV-1/4-WD-LED			24
[10] Silencer U			24
[11] Padlock LRVS-D			25
[12] Mounting bracket MS6-WP...	Order code [WP...] (not shown)		26

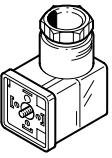
Accessories

Cover cap MS6-END				
	Size		Part no.	Type
	6		538780	MS6-END

Connecting plate-SET MS6-AG...				
	Size	Pneumatic connection, port 1	Part no.	Type
	6	G1/4	526080	MS6-AGB
			541538	MS6-AGB-EX
		G3/8	526081	MS6-AGC
			541539	MS6-AGC-EX
		G1/2	★ 526082	MS6-AGD
			541540	MS6-AGD-EX
		G3/4	526083	MS6-AGE
			541541	MS6-AGE-EX

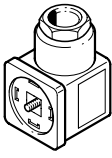
Module connector MS6-MV1				
	Size	Product weight	Part no.	Type
	6	33 g	★ 8119204	MS6-MV1

Silencer U				
	Pneumatic connection	Product weight	Part no.	Type
	G1/2	58.2 g	★ 2310	U-1/2
		75 g	6844	U-1/2-B

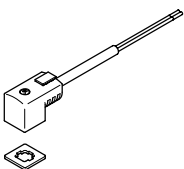
Angled plug socket PEV-1/4-WD-LED- ...						
	Electrical connection 1, used connections/cores	Switching status indication	Operational voltage range AC	Operational voltage range DC	Part no.	Type
	4	Yellow LED, Green LED		15 ... 30 V	164274	PEV-1/4-WD-LED-24
			150 ... 230 V	140 ... 180 V	164275	PEV-1/4-WD-LED-230

Accessories

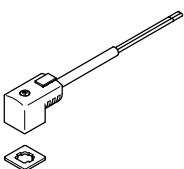
Plug socket MSSD-C-4P

	Electrical connection	Cable fitting	Cable diameter	Product weight	Part no.	Type
	3-pin, Angled socket, Type A, To DIN EN 175301-803, Square design MSC, Square design MSN1	Pg 9	6 ... 8 mm	22 g	171157	MSSD-C-4P

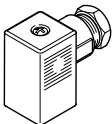
Plug socket with cable KMEB 230V AC

	Nominal operating voltage AC	Electrical connection 2, number of connections/cores	Cable length	Part no.	Type
	230 V	3	2.5 m	151690	KMEB-1-230AC-2.5
			5 m	151691	KMEB-1-230AC-5


Plug socket with cable KMEB 24V DC

	Nominal operating voltage DC	Electrical connection 2, number of connections/cores	Signal status display	Cable length	Part no.	Type
	24 V	2	Yellow LED	2.5 m	547270	KMEB-3-24-2.5
				5 m	547271	KMEB-3-24-5
				2.5 m	547268	KMEB-3-24-2.5-LED
				5 m	547269	KMEB-3-24-5-LED
		3		2.5 m	★ 151688	KMEB-1-24-2.5-LED
				5 m	151689	KMEB-1-24-5-LED
				10 m	193457	KMEB-1-24-10-LED

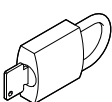
Plug socket MSSD-EB

	Electrical connection	Part no.	Type
	3-pin, Socket, Angled socket, Type C, To DIN EN 175301-803, To DIN EN 61984, Square design MSEB, Square design MSN2	★ 151687	MSSD-EB
	4-pin, Socket, Type C	192745	MSSD-EB-S-M14

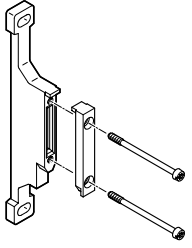
Illuminating seal MEB-LD

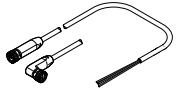
	Operational voltage range DC	Nominal operating voltage AC	Part no.	Type
		230 V	151718	MEB-LD-230AC
	12 ... 24 V		151717	MEB-LD-12-24DC

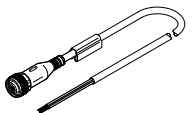
Padlock LRVS-D

	Short type code	Product weight	Part no.	Type
	LRVS-D	120 g	193786	LRVS-D

Accessories

Mounting bracket MS6-WP...						
	Size	Part no.	Type			
	6	★ 532195	MS6-WP			
		532186	MS6-WPM-2D			
		526073	MS6-WPM-D			
		★ 526074	MS6-WPB			
		541542	MS6-WPB-EX			
		541544	MS6-WP-EX			

Connecting cable NEBA-M8						
	Electrical connection 1, connector system	Electrical connection 1, number of connections/cores	Electrical connection 1, cable outlet	Cable length	Part no.	Type
	M8x1, A-coded, to EN 61076-2-104	3	Straight	2.5 m	★ 8078223	NEBA-M8G3-U-2.5-N-LE3
				5 m	★ 8078224	NEBA-M8G3-U-5-N-LE3
			Angled	2.5 m	★ 8078230	NEBA-M8W3-U-2.5-N-LE3
				5 m	★ 8078231	NEBA-M8W3-U-5-N-LE3

Connecting cable NEBA-M12						
	Electrical connection 1, connector system	Electrical connection 1, number of connections/cores	Electrical connection 1, cable outlet	Cable length	Part no.	Type
	M12x1, A-coded to EN 61076-2-101	5	Straight	2.5 m	★ 8078239	NEBA-M12G5-U-2.5-N-LE4
				5 m	★ 8078240	NEBA-M12G5-U-5-N-LE4
			Angled	2.5 m	★ 8078248	NEBA-M12W5-U-2.5-N-LE4
				5 m	★ 8078249	NEBA-M12W5-U-5-N-LE4