

Power supply unit CACN

FESTO



Type code

001	Series	
CACN	Power supply unit	
002	Nominal input voltage	
3A	230 V AC/50-60Hz	
11A	400 V AC/50-60Hz	
003	Nominal output voltage	
1	24 V DC	
7	48 V DC	

004	Nominal output current	
5	5 amperes	
10	10 amperes	
20	20 amperes	
005	Generation	
G2	2nd generation	

Datasheet

General technical data for power supply units with 24 VDC

Nominal output current	5 A	10 A	20 A
Nominal output voltage DC	24 V		
Input voltage range AC	100 ... 240 V		
Input current	1.1 - 2.2 A	1.3 - 3.1 A	2.4 - 5.6 A
Mains frequency	45 ... 65 Hz		
Power failure bridging	100 ms	20 ms	15 ms
Primary supply	Single-phase		
Type of mounting	With H-rail		
Mounting position	Free convection		
Product weight	450 g	1,168 g	1,669 g

General technical data for power supply units with 48 VDC

Nominal output current	5 A	10 A	20 A
Nominal output voltage DC	48 V		
Input voltage range AC	100 ... 240 V		400 ... 500 V
Input current	1.2 - 2.9 A	2.4 - 5.6 A	1.7 - 2.1 A
Mains frequency	45 ... 65 Hz		
Power failure bridging	15 ms	25 ms	
Primary supply	Single-phase		3-phase
Type of mounting	With H-rail		
Mounting position	Free convection		
Product weight	1,120 g	1,603 g	2,500 g

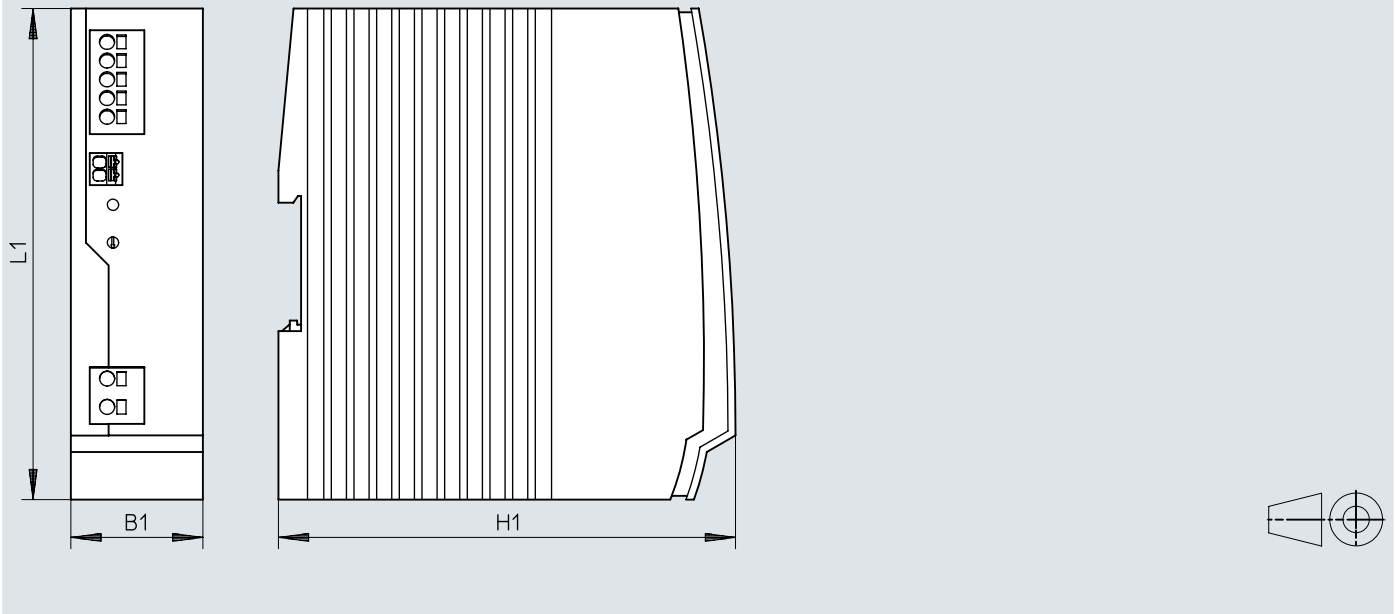
Operating and environmental conditions

Ambient temperature	-25 ... 70°C
Storage temperature	-40 ... 85°C
Degree of protection	IP20
Relative air humidity	95%
CE mark (see declaration of conformity)	To EU EMC Directive; To EU Low Voltage Directive
Approval	c UL us listed (OL)
Note on materials	RoHS-compliant

Dimensions

Dimensions – CACN-3A-1-5

Download CAD data → www.festo.com

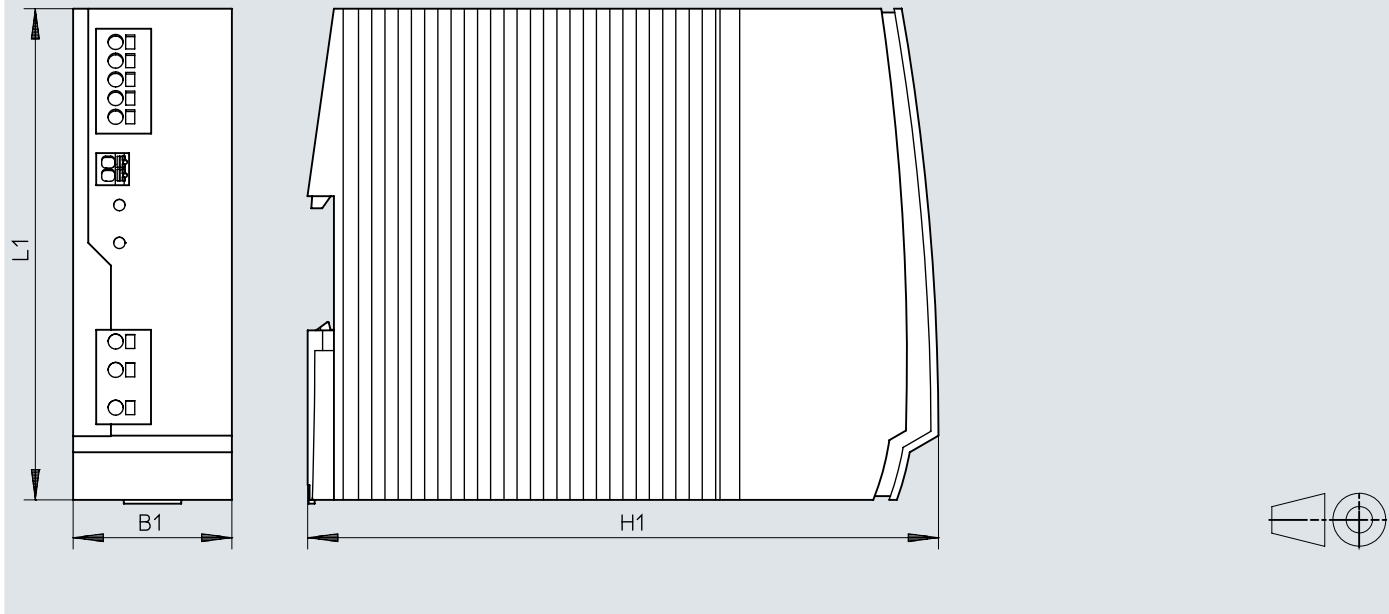


	B1	H1	L1
CACN-3A-1-5	35	121	130

Dimensions

Dimensions – CACN-3A-1-10 /CACN-3A-7-5

Download CAD data → www.festo.com

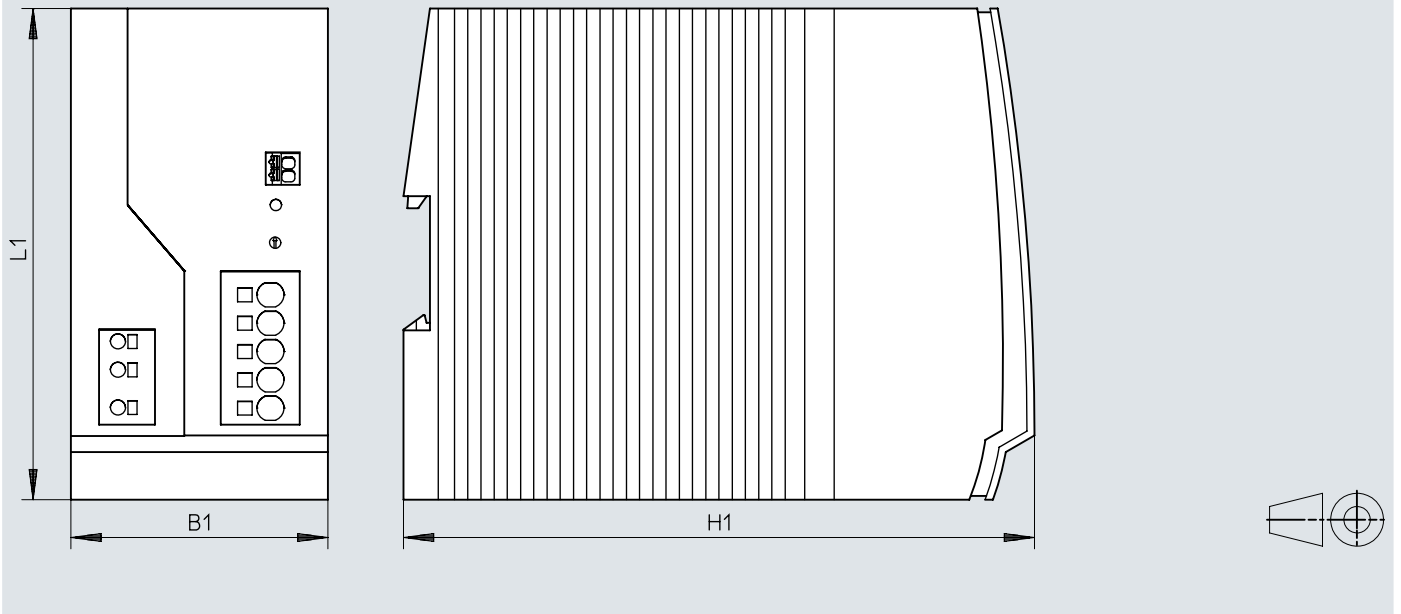


	B1	H1	L1
CACN-3A-1-10	42	167	130
CACN-3A-7-5			

Dimensions

Dimensions – CACN-3A-1-20/CACN-3A-7-10

Download CAD data → www.festo.com

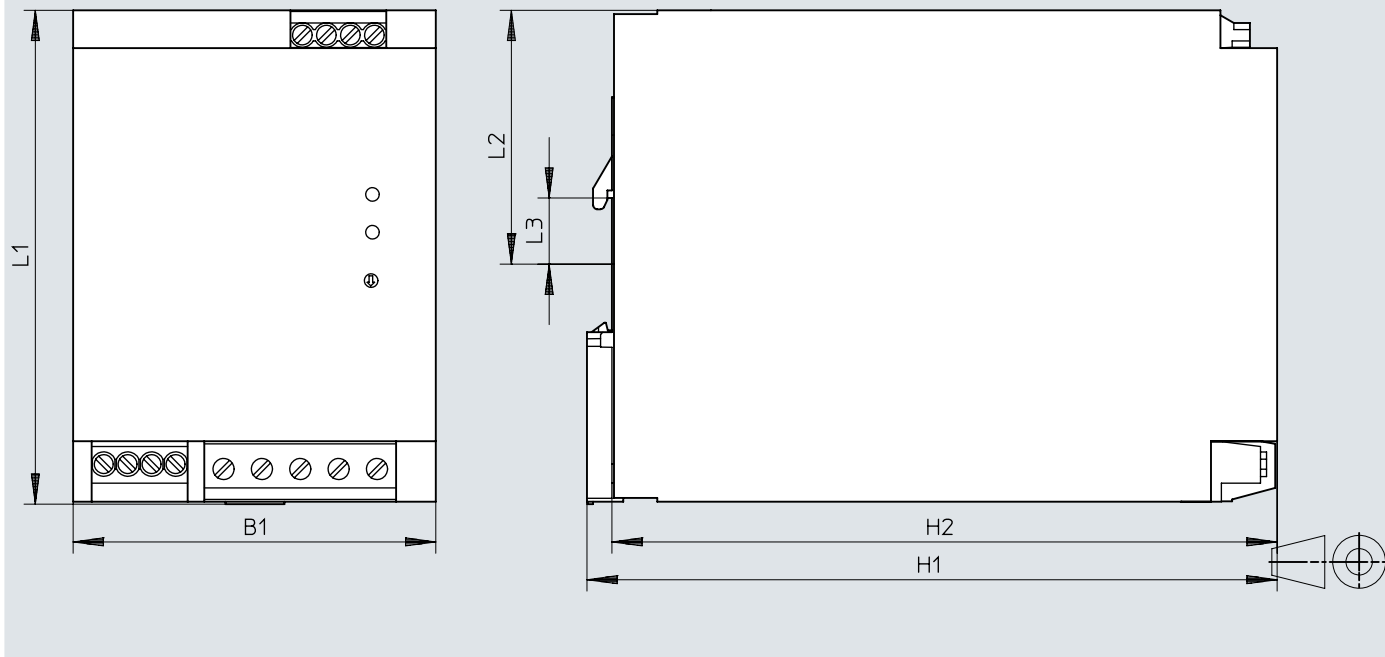


	B1	H1	L1
CACN-3A-1-20	68	167	130
CACN-3A-7-10			

Dimensions


Dimensions – CACN-11A-7-20

Download CAD data → www.festo.com



	B1	H1	H2	L1	L2	L3
CACN-11A-7-20	96	182,6	176	130,7	67,2	17,5

Ordering data

Ordering data				
	Nominal output voltage DC	Nominal output current	Part no.	Type
	24 V	5 A	8149580	CACN-3A-1-5-G2
		10 A	8149581	CACN-3A-1-10-G2
		20 A	8149582	CACN-3A-1-20-G2
	48 V	5 A	8149583	CACN-3A-7-5-G2
		10 A	8149584	CACN-3A-7-10-G2
		20 A	8149585	CACN-11A-7-20-G2