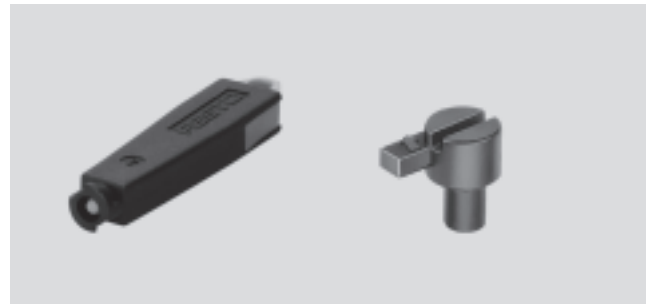


Manual override tools AHB

Technical data

Temperature range
-5 ... +60°C

- Manual override tools can be used to lock a detenting manual override in the actuated position.



General technical data	
Type of mounting	Push into existing manual override until it engages
Mounting position	Any
Ambient temperature [°C]	-5 ... +60
Corrosion resistance class CRC ¹⁾	2

1) Corrosion resistance class 2 according to Festo standard 940 070
Components requiring moderate corrosion resistance. Externally visible parts with primarily decorative surface requirements which are in direct contact with a surrounding industrial atmosphere or media such as cooling or lubricating agents.

Dimensions Download CAD data → www.festo.com

AHB-MZB, AHB-MEB, AHB-MD/MF/MV AHB-ME-1/8

Type	B1	H1	H2	L1
AHB-MZB	5.5	36.9	2.2	8.8
AHB-MEB	6.6	48.4	3.3	11
AHB-MD/MF/MV	8.5	64.1	4	14

Ordering data				
	Materials	Function	Part No.	Type
	Housing: Polyamide Spring: High-alloy stainless steel	Turn 90° to actuate and lock manual override	157 600	AHB-MZB
			157 601	AHB-MEB
			157 651	AHB-MD/MF/MV
	Polyamide	Turn approx. 90 to 180° to actuate and lock manual override	152 797	AHB-ME-1/8