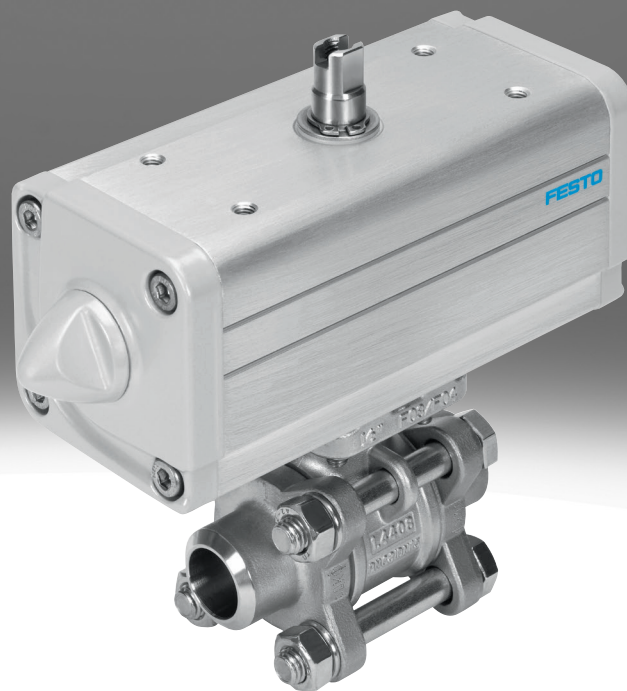


Ball valve actuator unit VZBA

FESTO



Characteristics

At a glance

- Electric or pneumatic actuation
- Flange hole pattern according to ISO 5211
- Connection pattern to NAMUR VDI/VDE 3845
- Corrosion-resistant and acid-resistant versions
- Versions with ATEX certification
- Combination of a pneumatic quarter-turn actuator and a ball valve
- The flow is fully opened or closed in both directions
- Sensor boxes or limit switches for sensing the end positions can be mounted directly on the actuator unit

Design type

- 2-way ball valve actuator units made of stainless steel or brass with pipe thread or with weld ends
- 2-way ball valve actuator units made of stainless steel in compact design
- 3-way ball valve actuator units made of stainless steel or brass

Type code

001	Series	
VZBA	Ball valve	
002	Nominal diameter DN	
1/4	1/4"	
3/8	3/8"	
1/2	1/2"	
3/4	3/4"	
1	1"	
1 1/4	1 1/4"	
1 1/2	1 1/2"	
2	2"	
2 1/2	2 1/2"	
3	3"	
4	4"	
003	Process valve connection type 1	
G	Rp female thread	
W	Suitable for welding	
004	Process valve connection type 2	
G	G female thread	
W	Suitable for welding	
005	Process valve connection type 3	
	None	
G	G female thread	
006	Nominal pressure [bar]	
63	63	
007	Design type	
	Standard	
T	Three-part	
008	Valve function	
22	2/2-way	
32L	3/2-way, L-bore	
32T	3/2-way, T-bore	

009	Flanged connection	
F0304	Hole pattern 03 and 04	
F0405	Hole pattern 04 and 05	
F0507	Hole pattern 05 and 07	
F0710	Hole pattern 07 and 10	
F10	Hole pattern 10	
010	Housing material	
V4	Stainless steel (chrome-nickel-molybdenum, austenitic/1.4401, 1.4404 (AISI 316L), 1.4408)	
011	Shut-off element material	
V4	Stainless steel (chrome-nickel-molybdenum, austenitic/1.4401, 1.4404 (AISI 316L), 1.4408)	
012	Sealant	
T	PTFE	
013	Drive	
PP	DAPS, double-acting	
PS	DAPS, single-acting	
014	Torque [Nm]	
15	15	
30	30	
53	53	
60	60	
90	90	
106	106	
120	120	
180	180	
240	240	
015	Swivel direction	
R	Right	
016	Nominal swivel angle [°]	
90	90	
017	Spring ID	
	None	
4	4	
018	End-position adjustment	
C	Closed	

Datasheet

General technical data, 2-way

Nominal size DN	8	10	15	20	25	32	40	50	65	80	100
Type of mounting	In-line installation										
Mounting position	optional										
Design	2-way ball valve, Semi-rotary drive										
Type of actuation	Pneumatic										
Switching position indicator	Slot direction = flow direction										
Nominal pressure PN	63										
Flow rate Kv	7 m ³ /h	10 m ³ /h	19.4 m ³ /h	45.6 m ³ /h	71.5 m ³ /h	105 m ³ /h	170 m ³ /h	275 m ³ /h	507 m ³ /h	905 m ³ /h	1,414 m ³ /h

Operating and environmental conditions, 2-way

Operating medium	Compressed air to ISO 8573-1:2010 [7:4:4]
Operating pressure	6 ... 8.4 bar
Ambient temperature	-10 ... 80°C
Media temperature ¹⁾	-10 ... 200°C
Medium	Compressed air to ISO 8573-1:2010 [:-:-], Inert gases, Water – no water vapour, Neutral fluids
Note on operating and pilot medium	Lubricated operation possible (in which case lubricated operation will always be required)
Corrosion resistance class CRC ²⁾	3 - High corrosion stress, 3 - high corrosion stress

1) As a function of operating pressure

2) Corrosion resistance class CRC 3 to Festo standard FN 940070 High corrosion stress. Outdoor exposure under moderate corrosive conditions. External visible parts with primarily functional surface requirements that are in direct contact with a normal industrial atmosphere.

ATEX, 2-way

Max. surface temperature assembly	TX
explosion group assembly	IIC, IIIC
Explosion ambient temperature	-10°C ≤ Ta ≤ +60°C

Materials, 2-way

Material housing	High-alloy stainless steel
Material ball	High-alloy stainless steel
Material shaft	High-alloy stainless steel
Material seals	PTFE, PTFE reinforced
Note on materials	RoHS-compliant

General technical data, 3-way

Nominal size DN	8	10	15	20	25	32	40	50
Type of mounting	In-line installation							
Mounting position	optional							
Design	3-way ball valve, L-hole, T-hole							
Type of actuation	Pneumatic							
Switching position indicator	Slot direction = flow direction							
Nominal pressure PN	63							

Datasheet

Operating and environmental conditions, 3-way

Operating medium	Compressed air to ISO 8573-1:2010 [7:4:4]
Operating pressure	6 ... 8.4 bar
Ambient temperature	-10 ... 80°C
Media temperature ¹⁾	-10 ... 200°C
Medium	Compressed air to ISO 8573-1:2010 [:-:-], Inert gases, Water – no water vapour, Neutral fluids
Note on operating and pilot medium	Lubricated operation possible (in which case lubricated operation will always be required)
Corrosion resistance class CRC ²⁾	3 - High corrosion stress, 3 - high corrosion stress

1) As a function of operating pressure

2) Corrosion resistance class CRC 3 to Festo standard FN 940070 High corrosion stress. Outdoor exposure under moderate corrosive conditions. External visible parts with primarily functional surface requirements that are in direct contact with a normal industrial atmosphere.

ATEX, 3-way

Max. surface temperature assembly	TX
explosion group assembly	IIC, IIIC
Explosion ambient temperature	-10°C ≤ Ta ≤ +60°C

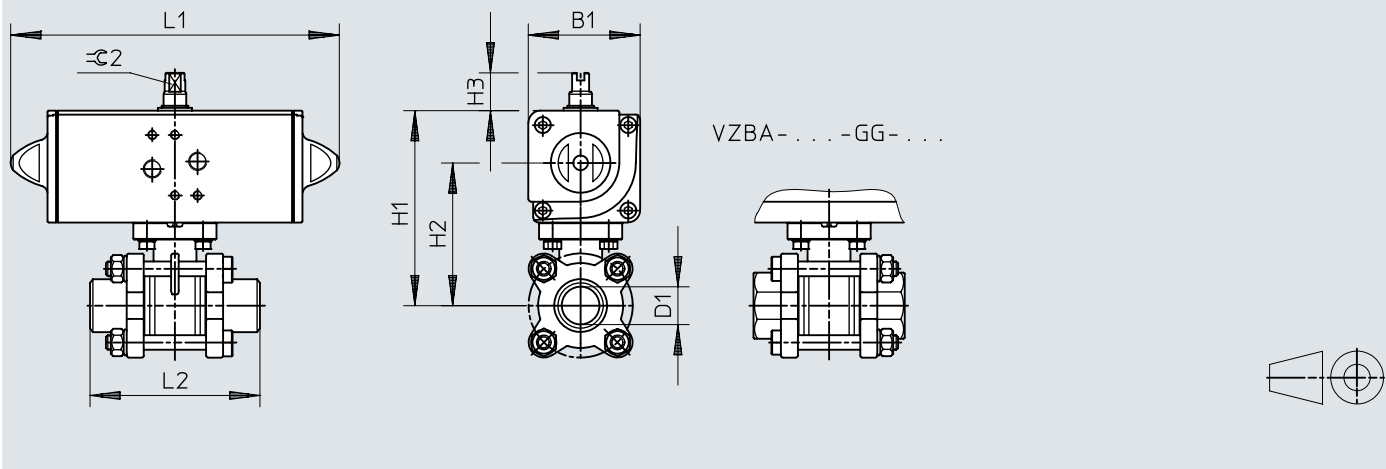
Materials, 3-way

Material housing	High-alloy stainless steel
Material number housing	1.4408
Material ball	High-alloy stainless steel
Material shaft	High-alloy stainless steel
Material number shaft	1.4401
Material seals	PTFE, PTFE reinforced
Note on materials	RoHS-compliant

Dimensions

Dimensions – 2-way, stainless steel, DAPS, double-acting

Download CAD data www.festo.com

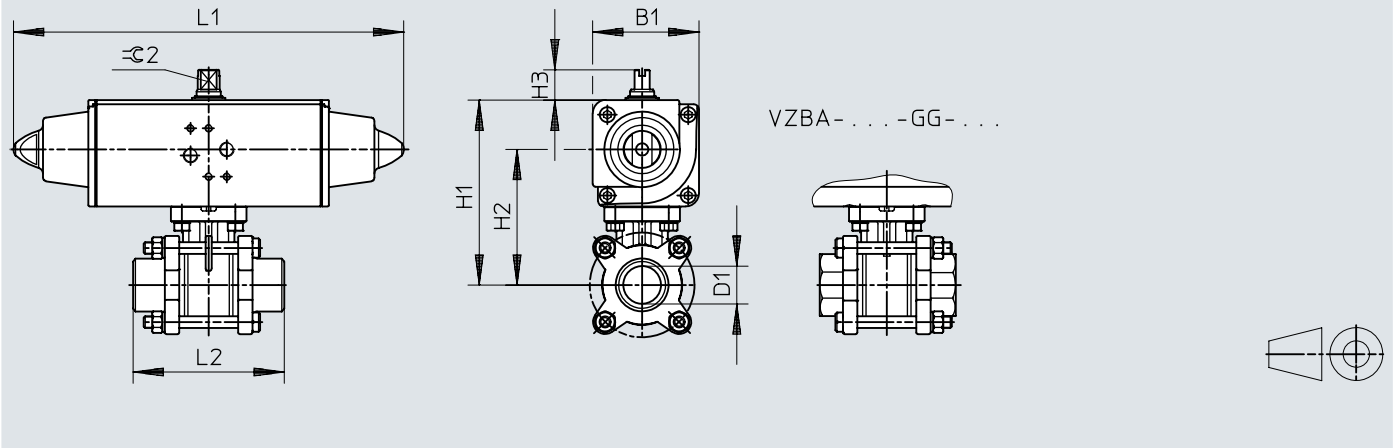


	B1	D1 ∅	H1	H2	H3	L1	L2	≈ 2
VZBA-1/4"-WW-63-T-22-F0304-V4V4T-PP15-R-90-C	52,2	10	92,2	68	20	159	70	8
VZBA-3/8"-WW-63-T-22-F0304-V4V4T-PP15-R-90-C	52,2	12	92,2	68	20	159	70	8
VZBA-1/2"-WW-63-T-22-F0304-V4V4T-PP15-R-90-C	52,2	16	92,2	68	20	159	75	8
VZBA-3/4"-WW-63-T-22-F0304-V4V4T-PP30-R-90-C	59,2	20	103,2	75,5	20	174	90	9
VZBA-1"-WW-63-T-22-F0405-V4V4T-PP30-R-90-C	59,2	25	111,2	83,5	20	174	100	9
VZBA-1 1/4"-WW-63-T-22-F0405-V4V4T-PP60-R-90-C	70,4	32	128,4	95,7	20	198	110	10
VZBA-1 1/2"-WW-63-T-22-F0507-V4V4T-PP60-R-90-C	70,4	38	138,4	105,7	20	198	125	10
VZBA-2"-WW-63-T-22-F0507-V4V4T-PP60-R-90-C	70,4	50	147,7	114,7	20	198	150	10
VZBA-2 1/2"-WW-63-T-22-F0710-V4V4T-PP106-R-90-C	83,3	65	181,3	142,8	20	237,1	190	12
VZBA-3"-WW-63-T-22-F0710-V4V4T-PP180-R-90-C	107,5	80	217,5	166,5	30	289,9	220	15
VZBA-4"-WW-63-T-22-F10-V4V4T-PP240-R-90-C	111,1	100	249,1	198,1	30	313,6	270	15

	B1	D1 ∅	H1	H2	H3	L1	L2	≈ 2
VZBA-1/4"-GG-63-T-22-F0304-V4V4T-PP15-R-90-C	52,2	10	99,2	68	20	159	65	8
VZBA-3/8"-GG-63-T-22-F0304-V4V4T-PP15-R-90-C	52,2	12	99,2	68	20	159	65	8
VZBA-1/2"-GG-63-T-22-F0304-V4V4T-PP15-R-90-C	52,2	16	99,2	68	20	159	75	8
VZBA-3/4"-GG-63-T-22-F0304-V4V4T-PP30-R-90-C	59,2	20	103,2	75,5	20	174	80	9
VZBA-1"-GG-63-T-22-F0405-V4V4T-PP30-R-90-C	59,2	25	111,2	83,5	20	174	90	9
VZBA-1 1/4"-GG-63-T-22-F0405-V4V4T-PP60-R-90-C	70,4	32	128,4	95,7	20	198	110	10
VZBA-1 1/2"-GG-63-T-22-F0507-V4V4T-PP60-R-90-C	70,4	38	138,4	105,7	20	198	120	10
VZBA-2"-GG-63-T-22-F0507-V4V4T-PP60-R-90-C	70,4	50	147,7	114,7	20	198	140	10
VZBA-2 1/2"-GG-63-T-22-F0710-V4V4T-PP106-R-90-C	83,3	65	181,3	142,8	20	237,1	185	12
VZBA-3"-GG-63-T-22-F0710-V4V4T-PP180-R-90-C	107,5	80	217,5	166,5	30	289,9	205	15
VZBA-4"-GG-63-T-22-F10-V4V4T-PP240-R-90-C	111,1	100	249,1	198,1	30	313,6	240	15

Dimensions

Dimensions – 2-way, stainless steel, DAPS, single-acting

Download CAD data www.festo.com

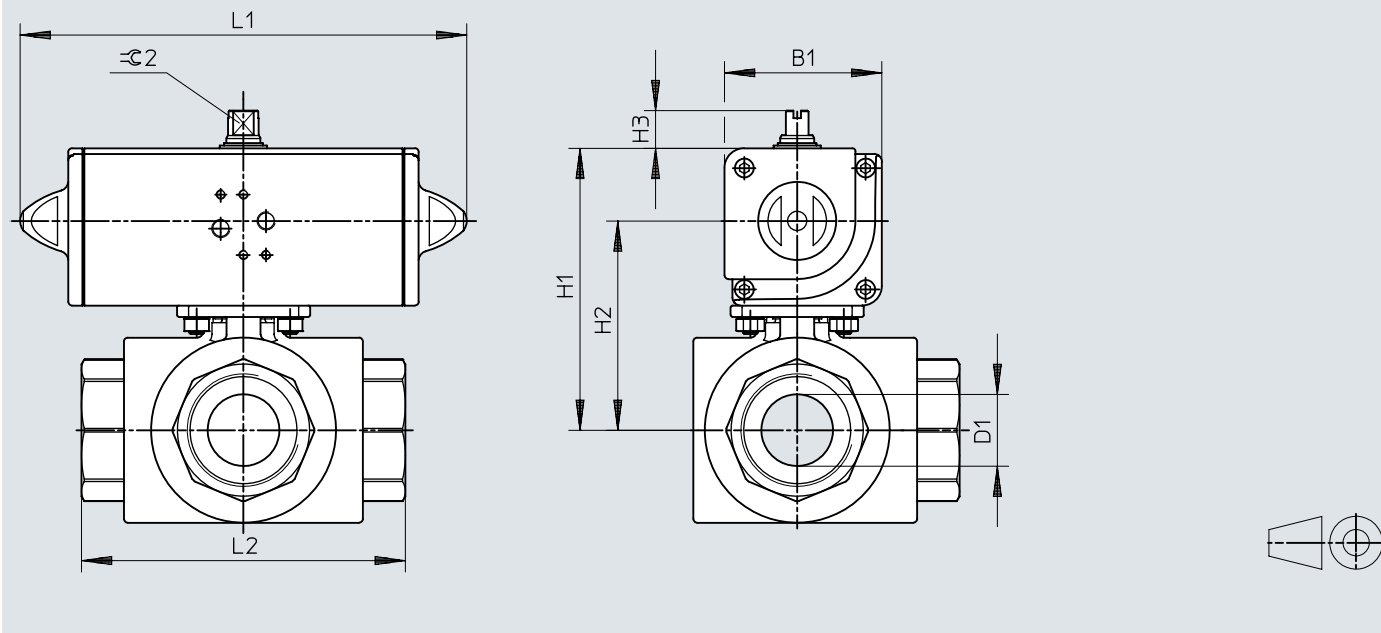
	B1	D1 ø	H1	H2	H3	L1	L2	≈ 2
VZBA-1/4"-WW-63-T-22-F0304-V4V4T-PS15-R-90-4-C	59,2	10	99,2	71,5	20	233,3	70	9
VZBA-3/8"-WW-63-T-22-F0304-V4V4T-PS15-R-90-4-C	59,2	12	99,2	71,5	20	233,3	70	9
VZBA-1/2"-WW-63-T-22-F0304-V4V4T-PS15-R-90-4-C	59,2	16	99,2	71,5	20	233,3	75	9
VZBA-3/4"-WW-63-T-22-F0304-V4V4T-PS30-R-90-4-C	70,4	20	114,4	81,7	20	259	90	10
VZBA-1"-WW-63-T-22-F0405-V4V4T-PS30-R-90-4-C	70,4	25	122,4	89,7	20	259	100	10
VZBA-1 1/4"-WW-63-T-22-F0405-V4V4T-PS53-R-90-4-C	83,3	32	141,3	102,8	20	304,3	110	12
VZBA-1 1/2"-WW-63-T-22-F0507-V4V4T-PS53-R-90-4-C	83,3	38	151,3	112,8	20	304,3	125	12
VZBA-2"-WW-63-T-22-F0507-V4V4T-PS90-R-90-4-C	107,5	50	184,5	133,5	30	393,7	150	15
VZBA-2 1/2"-WW-63-T-22-F0710-V4V4T-PS120-R-90-4-C	111,1	65	209,1	158,1	30	409,6	190	15
VZBA-3"-WW-63-T-22-F0710-V4V4T-PS180-R-90-4-C	118	80	228	172	30	474	220	19
VZBA-4"-WW-63-T-22-F10-V4V4T-PS240-R-90-4-C	134,9	100	272,9	210,9	30	520,5	270	19

	B1	D1 ø	H1	H2	H3	L1	L2	≈ 2
VZBA-1/4"-GG-63-T-22-F0304-V4V4T-PS15-R-90-4-C	59,2	10	99,2	71,5	20	233,3	65	9
VZBA-3/8"-GG-63-T-22-F0304-V4V4T-PS15-R-90-4-C	59,2	12	99,2	71,5	20	233,3	65	9
VZBA-1/2"-GG-63-T-22-F0304-V4V4T-PS15-R-90-4-C	59,2	16	99,2	71,5	20	233,3	75	9
VZBA-3/4"-GG-63-T-22-F0304-V4V4T-PS30-R-90-4-C	70,4	20	114,4	81,7	20	259	80	10
VZBA-1"-GG-63-T-22-F0405-V4V4T-PS30-R-90-4-C	70,4	25	122,4	89,7	20	259	90	10
VZBA-1 1/4"-GG-63-T-22-F0405-V4V4T-PS53-R-90-4-C	83,3	32	141,3	102,8	20	304,3	110	12
VZBA-1 1/2"-GG-63-T-22-F0507-V4V4T-PS53-R-90-4-C	83,3	38	151,3	112,8	20	304,3	120	12
VZBA-2"-GG-63-T-22-F0507-V4V4T-PS90-R-90-4-C	107,5	50	184,5	133,5	30	393,7	140	15
VZBA-2 1/2"-GG-63-T-22-F0710-V4V4T-PS120-R-90-4-C	111,1	65	209,1	158,1	30	409,6	185	15
VZBA-3"-GG-63-T-22-F0710-V4V4T-PS180-R-90-4-C	118	80	228	172	30	474	205	19
VZBA-4"-GG-63-T-22-F10-V4V4T-PS240-R-90-4-C	134,9	100	272,9	210,9	30	520,5	240	19

Dimensions

Dimensions – 3-way, stainless steel, DAPS, double-acting

Download CAD data www.festo.com



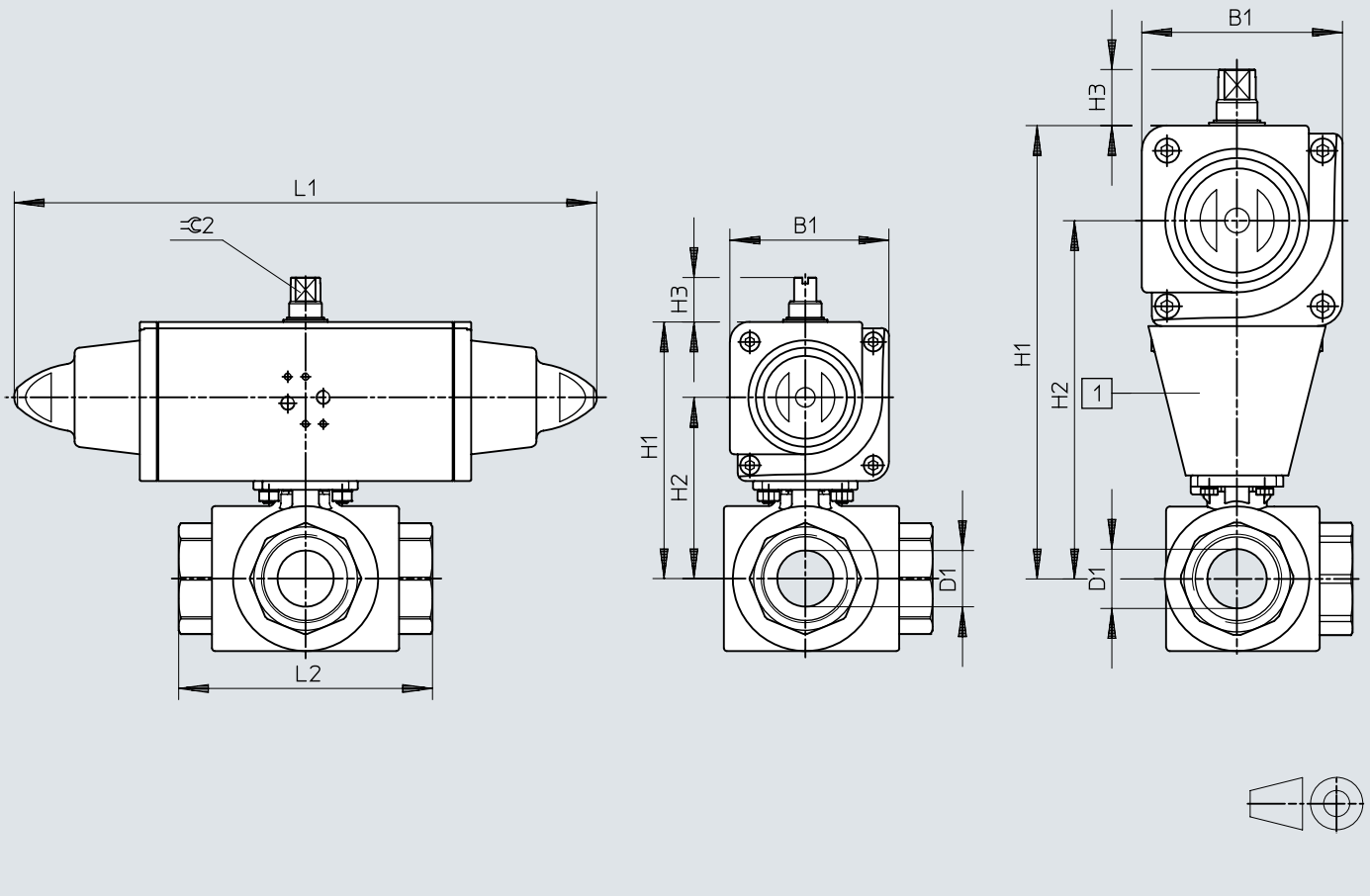
	B1	D1 ∅	H1	H2	H3	L1	L2	±0.2
VZBA-1/4"-GGG-63-32L-F0304-V4V4T-PP30-R-90-C	59,2	11,6	95,1	67,4	20	174	80	9
VZBA-1/4"-GGG-63-32T-F0304-V4V4T-PP30-R-90-C	59,2	12,7	95,1	67,4	20	174	80	9
VZBA-3/8"-GGG-63-32L-F0304-V4V4T-PP30-R-90-C	59,2	12,7	95,1	67,4	20	174	80	9
VZBA-3/8"-GGG-63-32T-F0304-V4V4T-PP30-R-90-C	59,2	12,7	95,1	67,4	20	174	80	9
VZBA-1/2"-GGG-63-32L-F0304-V4V4T-PP30-R-90-C	59,2	12,7	95,1	67,4	20	174	80	9
VZBA-1/2"-GGG-63-32T-F0304-V4V4T-PP30-R-90-C	59,2	12,7	95,1	67,4	20	174	80	9
VZBA-3/4"-GGG-63-32L-F0405-V4V4T-PP30-R-90-C	59,2	16	100,1	72,4	20	174	87,5	9
VZBA-3/4"-GGG-63-32T-F0405-V4V4T-PP30-R-90-C	59,2	16	100,1	72,4	20	174	87,5	9
VZBA-1"-GGG-63-32L-F0405-V4V4T-PP30-R-90-C	59,2	20	104,35	76,65	20	174	100	9
VZBA-1"-GGG-63-32T-F0405-V4V4T-PP30-R-90-C	59,2	20	104,35	76,65	20	174	100	9
VZBA-1 1/4"-GGG-63-32L-F0405-V4V4T-PP60-R-90-C	70,4	25,4	121,4	88,7	20	198	123	10
VZBA-1 1/4"-GGG-63-32T-F0405-V4V4T-PP60-R-90-C	70,4	25,4	121,4	88,7	20	198	123	10
VZBA-1 1/2"-GGG-63-32L-F0405-V4V4T-PP60-R-90-C	70,4	31,8	125,9	93,2	20	198	142,2	10
VZBA-1 1/2"-GGG-63-32T-F0405-V4V4T-PP60-R-90-C	70,4	31,8	125,9	93,2	20	198	142,2	10
VZBA-2"-GGG-63-32L-F0507-V4V4T-PP106-R-90-C	83,3	38,1	149,3	110,8	20	237,1	170,6	12
VZBA-2"-GGG-63-32T-F0507-V4V4T-PP106-R-90-C	83,3	38,1	149,3	110,8	20	237,1	170,6	12

Dimensions

Dimensions – 3-way, stainless steel, DAPS, single-acting

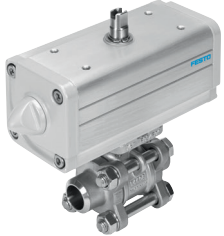
Download CAD data www.festo.com

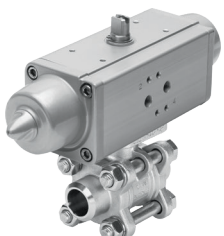
VZBA - 1 1/2" - . . .



	B1	D1 ø	H1	H2	H3	L1	L2	⊖ 2
VZBA-1/4"-GGG-63-32L-F0304-V4V4T-PS30-R-90-4-C	70,4	11,6	106,3	73,6	20	259	80	10
VZBA-1/4"-GGG-63-32T-F0304-V4V4T-PS30-R-90-4-C	70,4	12,7	106,3	73,6	20	259	80	10
VZBA-3/8"-GGG-63-32L-F0304-V4V4T-PS30-R-90-4-C	70,4	12,7	106,3	73,6	20	259	80	10
VZBA-3/8"-GGG-63-32T-F0304-V4V4T-PS30-R-90-4-C	70,4	16	111,3	78,6	20	259	87,5	10
VZBA-1/2"-GGG-63-32L-F0304-V4V4T-PS30-R-90-4-C	70,4	20	115,55	82,85	20	259	100	10
VZBA-1/2"-GGG-63-32T-F0304-V4V4T-PS30-R-90-4-C	70,4	25,4	134,3	95,8	20	304,3	123	12
VZBA-3/4"-GGG-63-32L-F0405-V4V4T-PS30-R-90-4-C	83,3	31,8	243	192	30	393,7	142,2	15
VZBA-3/4"-GGG-63-32T-F0405-V4V4T-PS30-R-90-4-C	107,5	38,1	173,5	122,5	30	393,7	170,6	15
VZBA-1 1/4"-GGG-63-32L-F0405-V4V4T-PS53-R-90-4-C	107,5							
VZBA-1 1/4"-GGG-63-32T-F0405-V4V4T-PS53-R-90-4-C								
VZBA-1 1/2"-GGG-63-32L-F0405-V4V4T-PS90-R-90-4-C								
VZBA-1 1/2"-GGG-63-32T-F0405-V4V4T-PS90-R-90-4-C								
VZBA-2"-GGG-63-32L-F0507-V4V4T-PS90-R-90-4-C								
VZBA-2"-GGG-63-32T-F0507-V4V4T-PS90-R-90-4-C								


Ordering data

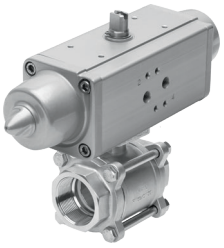
DAPS double-acting with welded ends, 2-way			
	Nominal size DN	Part no.	Type
	8	1810730	VZBA-1/4"-WW-63-T-22-F0304-V4V4T-PP15-R-90-C
	10	1810731	VZBA-3/8"-WW-63-T-22-F0304-V4V4T-PP15-R-90-C
	15	1810732	VZBA-1/2"-WW-63-T-22-F0304-V4V4T-PP15-R-90-C
	20	1810733	VZBA-3/4"-WW-63-T-22-F0304-V4V4T-PP30-R-90-C
	25	1810734	VZBA-1"-WW-63-T-22-F0405-V4V4T-PP30-R-90-C
	32	1810735	VZBA-1 1/4"-WW-63-T-22-F0405-V4V4T-PP60-R-90-C
	40	1810736	VZBA-1 1/2"-WW-63-T-22-F0507-V4V4T-PP60-R-90-C
	50	1810737	VZBA-2"-WW-63-T-22-F0507-V4V4T-PP60-R-90-C
	65	1810738	VZBA-2 1/2"-WW-63-T-22-F0710-V4V4T-PP106-R-90-C
	80	1810739	VZBA-3"-WW-63-T-22-F0710-V4V4T-PP180-R-90-C
	100	1810740	VZBA-4"-WW-63-T-22-F10-V4V4T-PP240-R-90-C


	Nominal size DN	Part no.	Type
	8	1774103	VZBA-1/4"-WW-63-T-22-F0304-V4V4T-PS15-R-90-4-C
	10	1774104	VZBA-3/8"-WW-63-T-22-F0304-V4V4T-PS15-R-90-4-C
	15	1774105	VZBA-1/2"-WW-63-T-22-F0304-V4V4T-PS15-R-90-4-C
	20	1774106	VZBA-3/4"-WW-63-T-22-F0304-V4V4T-PS30-R-90-4-C
	25	1774107	VZBA-1"-WW-63-T-22-F0405-V4V4T-PS30-R-90-4-C
	32	1774108	VZBA-1 1/4"-WW-63-T-22-F0405-V4V4T-PS53-R-90-4-C
	40	1774109	VZBA-1 1/2"-WW-63-T-22-F0507-V4V4T-PS53-R-90-4-C
	50	1774110	VZBA-2"-WW-63-T-22-F0507-V4V4T-PS90-R-90-4-C
	65	1774111	VZBA-2 1/2"-WW-63-T-22-F0710-V4V4T-PS120-R-90-4-C
	80	1774112	VZBA-3"-WW-63-T-22-F0710-V4V4T-PS180-R-90-4-C
	100	1774113	VZBA-4"-WW-63-T-22-F10-V4V4T-PS240-R-90-4-C

DAPS double-acting, 2-way			
	Connection Process valve	Part no.	Type
	Rp1	1809655	VZBA-1"-GG-63-T-22-F0405-V4V4T-PP30-R-90-C

Ordering data


DAPS double-acting, 2-way				
	Connection Process valve	Part no.	Type	
	Rp1 1/2	1809657	VZBA-11/2"-GG-63-T-22-F0507-V4V4T-PP60-R-90-C	
	Rp1 1/4	1809656	VZBA-11/4"-GG-63-T-22-F0405-V4V4T-PP60-R-90-C	
	Rp1/2	1809653	VZBA-1/2"-GG-63-T-22-F0304-V4V4T-PP15-R-90-C	
	Rp1/4	1809651	VZBA-1/4"-GG-63-T-22-F0304-V4V4T-PP15-R-90-C	
	Rp2	1809658	VZBA-2"-GG-63-T-22-F0507-V4V4T-PP60-R-90-C	
	Rp2 1/2	1809659	VZBA-21/2"-GG-63-T-22-F0710-V4V4T-PP106-R-90-C	
	Rp3	1809660	VZBA-3"-GG-63-T-22-F0710-V4V4T-PP180-R-90-C	
	Rp3/4	1809654	VZBA-3/4"-GG-63-T-22-F0304-V4V4T-PP30-R-90-C	
	Rp3/8	1809652	VZBA-3/8"-GG-63-T-22-F0304-V4V4T-PP15-R-90-C	
	Rp4	1809661	VZBA-4"-GG-63-T-22-F10-V4V4T-PP240-R-90-C	

	Connection Process valve	Part no.	Type	
	Rp1	1758073	VZBA-1"-GG-63-T-22-F0405-V4V4T-PS30-R-90-4-C	
	Rp1 1/2	1758075	VZBA-11/2"-GG-63-T-22-F0507-V4V4T-PS53-R-90-4-C	
	Rp1 1/4	1758074	VZBA-11/4"-GG-63-T-22-F0405-V4V4T-PS53-R-90-4-C	
	Rp1/2	1758071	VZBA-1/2"-GG-63-T-22-F0304-V4V4T-PS15-R-90-4-C	
	Rp1/4	1758069	VZBA-1/4"-GG-63-T-22-F0304-V4V4T-PS15-R-90-4-C	
	Rp2	1758076	VZBA-2"-GG-63-T-22-F0507-V4V4T-PS90-R-90-4-C	
	Rp2 1/2	1758077	VZBA-21/2"-GG-63-T-22-F0710-V4V4T-PS120-R-90-4-C	
	Rp3	1758078	VZBA-3"-GG-63-T-22-F0710-V4V4T-PS180-R-90-4-C	
	Rp3/4	1758072	VZBA-3/4"-GG-63-T-22-F0304-V4V4T-PS30-R-90-4-C	
	Rp3/8	1758070	VZBA-3/8"-GG-63-T-22-F0304-V4V4T-PS15-R-90-4-C	
Rp4	1758079	VZBA-4"-GG-63-T-22-F10-V4V4T-PS240-R-90-4-C		

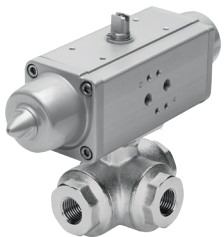
DAPS double-acting, 3-way				
	Connection Process valve	Flow rate Kv L hole	Part no.	Type
	Rp1		1915076	VZBA-1"-GGG-63-32T-F0405-V4V4T-PP30-R-90-C

Ordering data

DAPS double-acting, 3-way

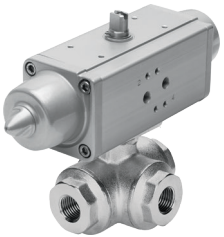


Connection Process valve	Flow rate Kv L hole	Part no.	Type
Rp1 1/2		1915078	VZBA-11/2"-GGG-63-32T-F0405-V4V4T-PP60-R-90-C
	33.2 m³/h	1914791	VZBA-11/2"-GGG-63-32L-F0405-V4V4T-PP60-R-90-C
Rp1 1/4		1915077	VZBA-11/4"-GGG-63-32T-F0405-V4V4T-PP60-R-90-C
Rp3/4	5.1 m³/h	1914788	VZBA-3/4"-GGG-63-32L-F0405-V4V4T-PP30-R-90-C
Rp1 1/4	19.6 m³/h	1914790	VZBA-11/4"-GGG-63-32L-F0405-V4V4T-PP60-R-90-C
Rp1/2		1915074	VZBA-1/2"-GGG-63-32T-F0304-V4V4T-PP30-R-90-C
	4.7 m³/h	1914787	VZBA-1/2"-GGG-63-32L-F0304-V4V4T-PP30-R-90-C
Rp1	11.8 m³/h	1914789	VZBA-1"-GGG-63-32L-F0405-V4V4T-PP30-R-90-C
Rp1/4		1915072	VZBA-1/4"-GGG-63-32T-F0304-V4V4T-PP30-R-90-C
	4.5 m³/h	1914785	VZBA-1/4"-GGG-63-32L-F0304-V4V4T-PP30-R-90-C
Rp2		1915079	VZBA-2"-GGG-63-32T-F0507-V4V4T-PP106-R-90-C
	53.7 m³/h	1914792	VZBA-2"-GGG-63-32L-F0507-V4V4T-PP106-R-90-C
Rp3/4		1915075	VZBA-3/4"-GGG-63-32T-F0405-V4V4T-PP30-R-90-C
Rp3/8		1915073	VZBA-3/8"-GGG-63-32T-F0304-V4V4T-PP30-R-90-C
	4.5 m³/h	1914786	VZBA-3/8"-GGG-63-32L-F0304-V4V4T-PP30-R-90-C

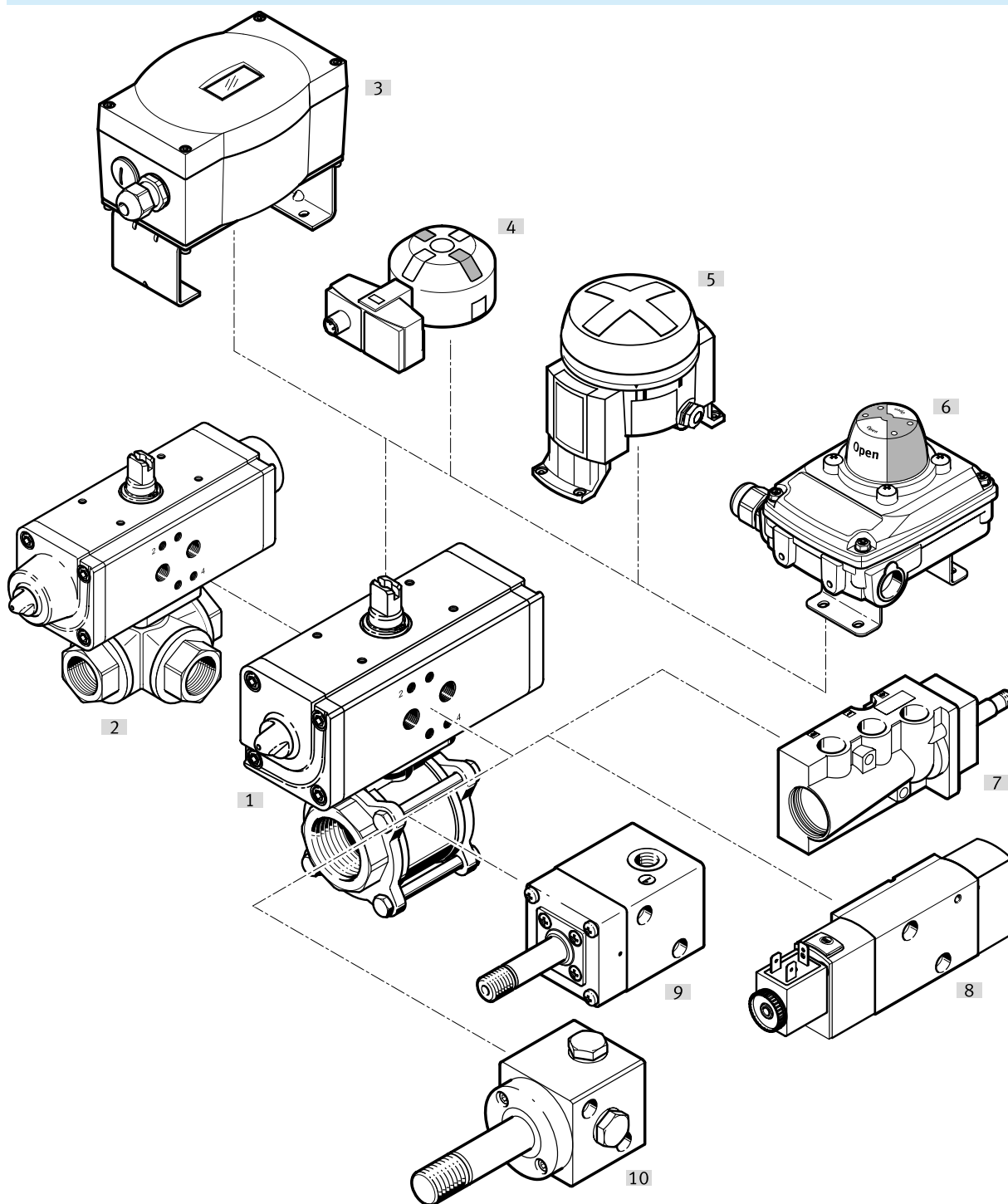


Connection Process valve	Flow rate Kv L hole	Flow rate Kv T hole angled	Flow rate Kv T hole straight	Part no.	Type
Rp1		10.9 m³/h	22.4 m³/h	1915748	VZBA-1"-GGG-63-32T-F0405-V4V4T-PS30-R-90-4-C
	11.8 m³/h			1915547	VZBA-1"-GGG-63-32L-F0405-V4V4T-PS30-R-90-4-C
Rp1 1/2		30 m³/h	62 m³/h	1915750	VZBA-11/2"-GGG-63-32T-F0405-V4V4T-PS90-R-90-4-C
	33.2 m³/h			1915549	VZBA-11/2"-GGG-63-32L-F0405-V4V4T-PS90-R-90-4-C
Rp1 1/4		18 m³/h	36.5 m³/h	1915749	VZBA-11/4"-GGG-63-32T-F0405-V4V4T-PS53-R-90-4-C
	19.6 m³/h			1915548	VZBA-11/4"-GGG-63-32L-F0405-V4V4T-PS53-R-90-4-C
Rp1/2		4.8 m³/h	8.3 m³/h	1915746	VZBA-1/2"-GGG-63-32T-F0304-V4V4T-PS30-R-90-4-C
	4.7 m³/h			1915545	VZBA-1/2"-GGG-63-32L-F0304-V4V4T-PS30-R-90-4-C
Rp1/4		4.5 m³/h	8 m³/h	1915744	VZBA-1/4"-GGG-63-32T-F0304-V4V4T-PS30-R-90-4-C
	4.5 m³/h			1915543	VZBA-1/4"-GGG-63-32L-F0304-V4V4T-PS30-R-90-4-C

Ordering data

	Connection Process valve	Flow rate Kv L hole	Flow rate Kv T hole angled	Flow rate Kv T hole straight	Part no.	Type
	Rp2		48.8 m ³ /h	100 m ³ /h	1915751	VZBA-2"-GGG-63-32T-F0507-V4V4T-PS90-R-90-4-C
		53.7 m ³ /h			1915550	VZBA-2"-GGG-63-32L-F0507-V4V4T-PS90-R-90-4-C
	Rp3/4		4.8 m ³ /h	8.3 m ³ /h	1915747	VZBA-3/4"-GGG-63-32T-F0405-V4V4T-PS30-R-90-4-C
		5.1 m ³ /h			1915546	VZBA-3/4"-GGG-63-32L-F0405-V4V4T-PS30-R-90-4-C
	Rp3/8		4.5 m ³ /h	8 m ³ /h	1915745	VZBA-3/8"-GGG-63-32T-F0304-V4V4T-PS30-R-90-4-C
		4.5 m ³ /h			1915544	VZBA-3/8"-GGG-63-32L-F0304-V4V4T-PS30-R-90-4-C

Peripherals



Accessories			→ Link
Type/order code	Description		
[1] Ball valve actuator unit VZBA	Combination of double-acting or single-acting quarter-turn actuator DAPS and 2-way ball valve, brass		vzba
[2] Ball valve actuator unit VZBA	Combination of double-acting or single-acting quarter-turn actuator DAPS and 3-way ball valve, brass		vzba
[3] Positioner CMSX	For controlling the position of quarter-turn actuators in process automation systems		cmsx
[4] Sensor boxes SRBG	For electrical feedback and control of the position of process valves actuated by quarter-turn actuators		srbg
[5] Limit switch attachments DAPZ	Round design, variant AR, electrical sensing, inductive or inductive explosion-proof		dapz
[6] Sensor boxes SRBC	For electrical feedback and control of the position of process valves operated by quarter-turn actuators		srbc
[7] Solenoid valve NVF3	For F solenoid coil and explosion-proof F solenoid coil		nvf3
[8] Solenoid valves VSNC	For single-acting and double-acting quarter-turn actuators with a connection pattern VDI/VDE 3845		vsnc
[9] Solenoid valves VOFC	Solenoid valve with solenoid coil, NAMUR connection pattern		vofc

Peripherals

Accessories		→ Link
Type/order code	Description	
[10] Solenoid valves VOFD	Solenoid valve with solenoid coil, NAMUR connection pattern	vofd