

Ball valve QH-QS, QHS-QS

FESTO



Type code

001	Series	
QH	Ball valve	
002	Design type	
	Standard	
S	Short	

003	Pneumatic connection 1	
QS-4	Push-in connector 4 mm	
QS-6	Push-in connector 6 mm	
004	Pneumatic connection 2	
	Same size push-in connector as pneumatic connection 1	
1/8	Male thread R1/8	

Datasheet

Datasheet



Short type code	QH				QHS	
Pneumatic connection, port 1	R1/8		QS-4	QS-6		
Pneumatic connection, port 2	QS-4	QS-6	QS-4	QS-6		
Nominal size	2.5 mm			4 mm		
Design	Ball valve					
Type of mounting	Screw-in		In-line installation		Via lock nut	
Valve function	2/2 double solenoid					
Type of actuation	Manual					
Sealing principle	Soft					
Standard nominal flow rate (standardised to DIN 1343)	235 l/min	560 l/min	148 l/min	533 l/min	528 l/min	

Operating and environmental conditions

Operating medium	Compressed air to ISO 8573-1:2010 [7:-:-]
Note on operating and pilot medium	Lubricated operation possible (in which case lubricated operation will always be required)
Operating pressure	-0.1 ... 1 MPa
Operating pressure	-1 ... 10 bar
Ambient temperature	0 ... 60°C

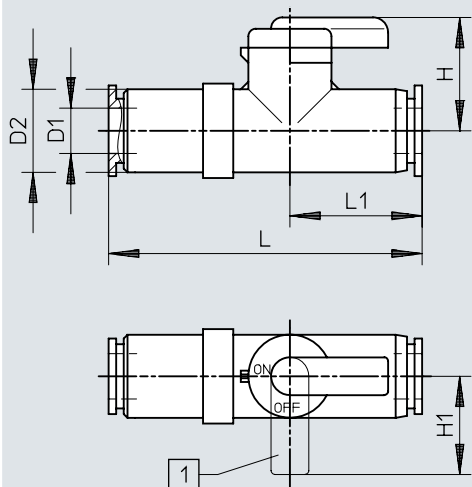
Materials

Note on materials	RoHS-compliant
LABS (PWIS) conformity	VDMA24364-B1/B2-L

Dimensions

Dimensions – Push-in connector at both ends

Download CAD data www.festo.com

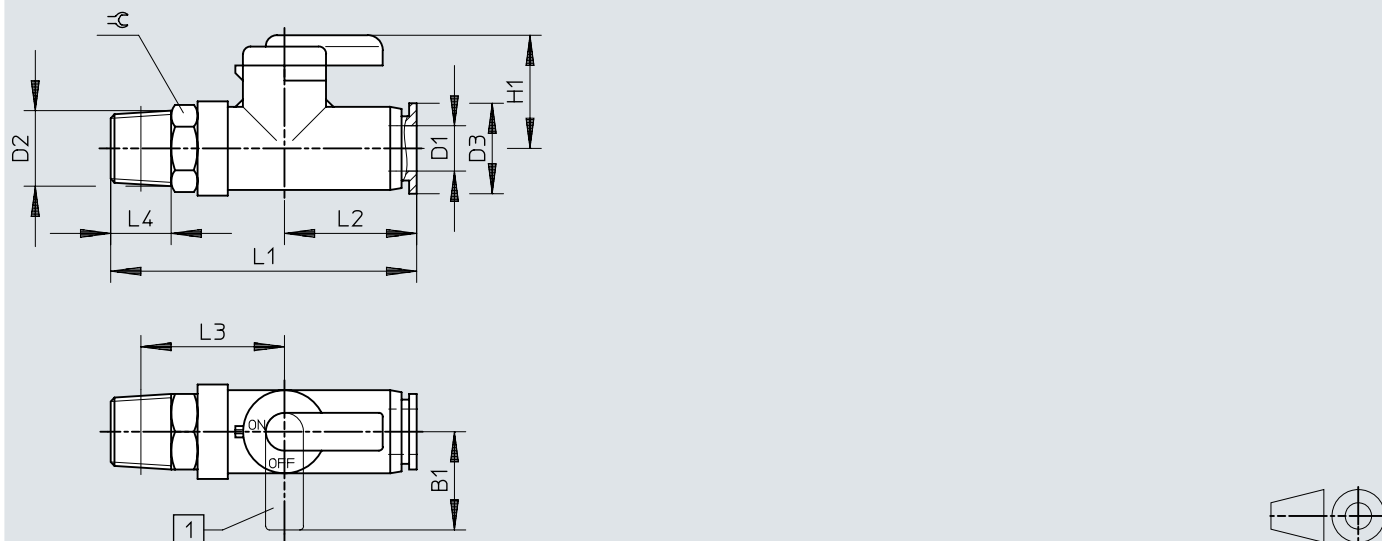


[1] Closed position

	D1 ∅	D2 ∅	H	H1	L	L1
QH-QS-4	4	11	15	13	38	17
QH-QS-6	6				41,5	17,5

Dimensions

Dimensions – Male thread/push-in connector

Download CAD data www.festo.com

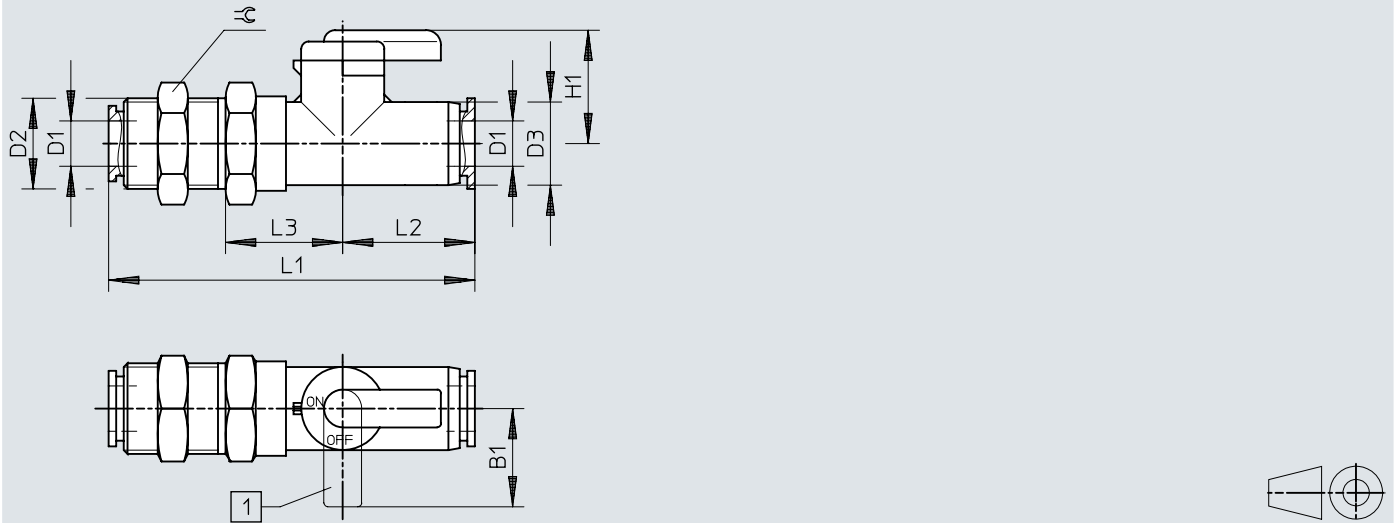
[1] Closed position

	B1	D1 ∅	D2	D3 ∅	H1	L1	L2	L3	L4	≅
QH-QS-4-1/8	13	4	R1/8	11	15	41,5	17	20	8	10
QH-QS-6-1/8		6				42	17,5			

Dimensions

Dimensions – Bulkhead fitting, push-in connector at both ends


Download CAD data www.festo.com




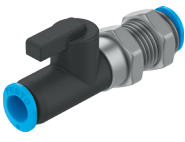
[1] Closed position

	B1	D1 ∅	D2	D3 ∅	H1	L1	L2	L3	☞
QHS-QS-6	13	6	M12x1	11	15	48,5	17,5	15,5	14

Ordering data

Ordering data – Push-in connector both sides						
	Pneumatic connection, port 1	Pneumatic connection, port 2	Standard nominal flow rate (standardised to DIN 1343)	Product weight	Part no.	Type
	QS-4	QS-4	148 l/min	12 g	153483	QH-QS-4
	QS-6	QS-6	533 l/min	12.5 g	153484	QH-QS-6

Ordering data – Male thread/push-in connector						
	Pneumatic connection, port 1	Pneumatic connection, port 2	Standard nominal flow rate (standardised to DIN 1343)	Product weight	Part no.	Type
	R1/8	QS-4	235 l/min	14 g	153486	QH-QS-4-1/8
		QS-6	560 l/min	15 g	153487	QH-QS-6-1/8

Ordering data – Bulkhead fitting, push-in connector at both ends						
	Pneumatic connection, port 1	Pneumatic connection, port 2	Standard nominal flow rate (standardised to DIN 1343)	Product weight	Part no.	Type
	QS-6	QS-6	528 l/min	16.5 g	153485	QHS-QS-6