

## Product range overview

Function	Version	Type	Connection technology (Electrical connection 2)	Cable characteristic	Length	→ Page/ Internet
Electrical connection 1 socket	<b>M8x1</b>					
	4-pin	NEBV-M8W4L	Plug M8x1, 3-pin Open cable end	Suitable for energy chains	2.5 m 5 m 10 m	3
	<b>M12x1</b>					
	8-pin	NEBV-M12G8	Plug M12x1, 4-pin	Standard	2 m 5 m	6

## Connecting cables for valves, round plug connectors

### Type codes

001	Series
NEBV	Connecting cable for valves

002	Product version
	Standard
C	Easy-to-clean design

003	Connection technology left, field device side
A1	Socket type A, EN 175301-803
B2	Socket type B, industry standard, 11 mm
C1S	Socket type C, narrow design
H1	Socket connection pattern H
M8	Socket M8x1 A-coded, EN 61076-2-104
M12	Socket M12x1 A-coded, EN 61076-2-101
Z3	Socket connection pattern ZC, self-tapping screw
Z4	Socket connection pattern ZC, metric screw
S1	Sub-D socket
S7	Sub-D HD socket
Q7	Port pattern Q7 socket
HS	Socket connection pattern S
HP	Socket connection pattern HP

004	Cable outlet left
	None
G	Straight
W	Angled
WA	Angled 45°

005	Number of pins/wires on the left
2	2
3	3
4	4
8	8
9	9
15	15
25	25
37	37
44	44

006	Display
	None
F	LED signal status, AC
L	LED signal status, DC
N	LED switching state, NPN
P	LED switching state, PNP
U	LED, UC

007	Additional socket functions
	None
HL	Hood for MPA-L
HM	Hood for MPA-S
HS	With seal

008	Circuitry
	None
P	Protective circuit
R	Holding current reduction with integrated protective circuit

009	Cable characteristic
P	Basic
K	Standard
E	Suitable for energy chains
F	Food-safe to standard

010	Cable design
	Standard
D	Double cable
M	Alternative material
N	Leads

011	Cable length [m]
0.1	0.1
0.2	0.2
0.3	0.3
0.5	0.5
0.6	0.6
1	1
2	2
2.5	2.5
3	3
5	5
10	10

012	Cable identification
	With label holder
N	Without label holder

013	Connection technology right, controller side
LE	Open end
M8	Plug M8x1 A-coded, EN 61076-2-104
M12	Plug M12x1 A-coded, EN 61076-2-101
Z1	Port pattern ZB plug, self-tapping screw

014	Plug
	None
G	Straight
W	Angled

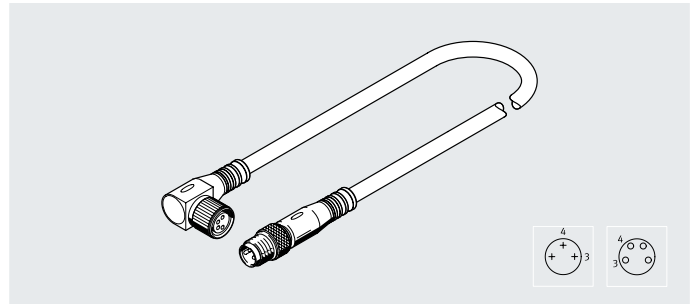
015	Number of pins/wires on the right
2	2
3	3
4	4
5	5
10	10
15	15
25	25
26	26
27	27
36	36
37	37
39	39
44	44

016	Degree of protection, electrical system
	Standard
S6	IP40
S1	IP65
S9	IP65/IP67
S10	IP65/IP67/IP69K

## Datasheet

### Connecting cable NEBV-M8W4L

- Connecting cable for valves CPE10 and CPE14
- Pre-assembled at one or both ends
- Cable lengths 2.5 m, 5 m or 10 m
- 2 cores
- Socket M8x1, 4-pin



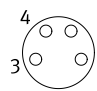
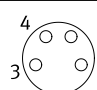
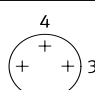
General technical data		
Type	NEBV-...-LE2	NEBV-...-M8G3
Conforms to standard	EN 61076-2-101 ISO 20401	
Switching status indication	Yellow LED	
Technical data – Electrical connection 1		
Connection type	Socket	
Design	Round	
Cable outlet	Angled	
Connection technology	M8x1	
Number of pins/cores	4	
Technical data – Electrical connection 2		
Connection type	Cable	Cable
Design	–	Plug
Cable outlet	–	Straight
Connection technology	Open end	Open end
Number of pins/cores	2	3
Wire ends	Wire ferrule	–
Technical data – Electrical		
Operating voltage range	[V DC]	20.4 ... 26.4
Current rating at 40 °C	[A]	3
Technical data – Cable		
Cable diameter	[mm]	3.3
Cable characteristic	Suitable for energy chains	
Minimum cable bending radius	[mm]	35
Cable composition	[mm <sup>2</sup> ]	2x0.25
Materials		
Housing	TPE-U(PU)	
Pin contacts	Gold-plated brass	
Cable sheath	TPE-U(PUR)	
Insulating sheath	PVC	
Note on materials	RoHS-compliant	
LABS (PWIS) conformity	VDMA24364-B2-L	

## Datasheet

Operating and environmental conditions	
Ambient temperature [°C]	-10 ... +50
Corrosion resistance class CRC <sup>1)</sup>	2
CE marking (see declaration of conformity) <sup>2)</sup>	To EU RoHS Directive
UKCA marking (see declaration of conformity) <sup>2)</sup>	To UK RoHS regulations
Degree of protection	IP65
	IP67

1) More information: [www.festo.com/x/topic/crc](http://www.festo.com/x/topic/crc)

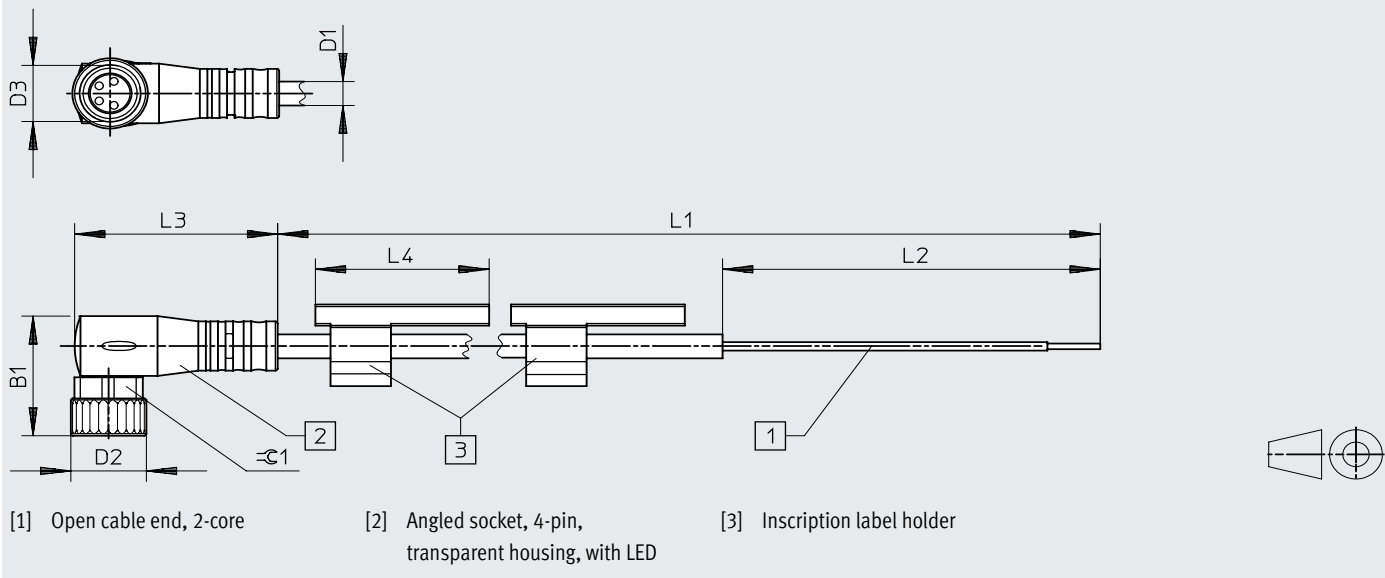
2) More information [www.festo.com/catalogue/...](http://www.festo.com/catalogue/...) → Support/Downloads.

Circuitry (socket/plug view)				
Electrical connection 1	Pin	Wire colour <sup>1)</sup>	Pin	Electrical connection 2
<b>NEBV-...-LE2</b>				
	1	-	-	-
	2	-	-	
	3	BK	-	
	4	BK	-	
<b>NEBV-...-M8G3</b>				
	1	-	1	
	2	-	-	
	3	BN	3	
	4	BU	4	

1) According to IEC 757

### Dimensions

Download CAD data → [www.festo.com](http://www.festo.com)

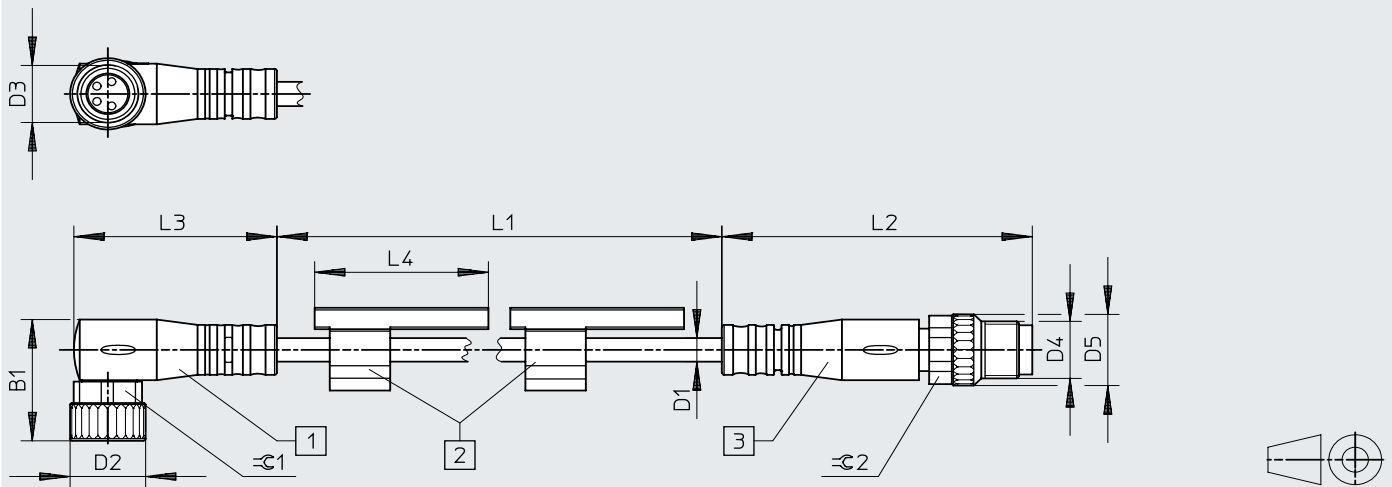


	B1	D1	D2	D3	L1	L2	L3	L4	≅C1
NEBV-M8W4L-E-2.5-LE2	17	3.4	10	M8x1	2500	50	26.9	23	9
NEBV-M8W4L-E-5-LE2					5000				
NEBV-M8W4L-E-10-LE2					10000				

Datasheet

Dimensions

Download CAD data → [www.festo.com](http://www.festo.com)



- [1] Angled socket, 4-pin, transparent housing, with LED
- [2] Inscription label holder
- [3] Straight plug, 3-pin

	B1	D1	D2	D3	D4	D5	L1	L2	L3	L4	∅1	∅2
NEBV-M8W4L-E-2.5-M8G3	17	3.3	10	M8x1	M8x1	10	2500	41.1	26.9	23	9	9
NEBV-M8W4L-E-5-M8G3							5000					
NEBV-M8W4L-E-10-M8G3							10000					

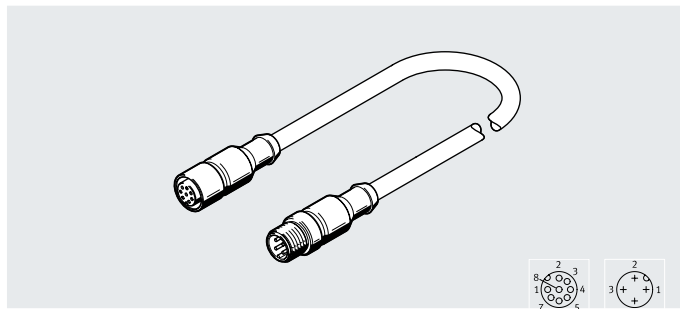
Ordering data

Electrical connection		Cable length	Weight	Part no.	Type
Connection 1	Connection 2	[m]	[g]		
Socket M8x1, 4-pin	Open end, 2-core	2.5	45	<b>562471</b>	<b>NEBV-M8W4L-E-2.5-LE2</b>
		5	85	<b>562472</b>	<b>NEBV-M8W4L-E-5-LE2</b>
		10	165	<b>562473</b>	<b>NEBV-M8W4L-E-10-LE2</b>
	Plug M8x1, 3-pin	2.5	50	<b>562468</b>	<b>NEBV-M8W4L-E-2.5-M8G3</b>
		5	90	<b>562469</b>	<b>NEBV-M8W4L-E-5-M8G3</b>
		10	170	<b>562470</b>	<b>NEBV-M8W4L-E-10-M8G3</b>

## Datasheet

### Connecting cable NEBV-M12G8

- Connecting cable for connecting the proportional pressure regulating valve VPPM to the analogue output modules of the terminal CPX
- Pre-assembled at both ends
- Cable lengths 2 m or 5 m
- 4 cores
- Socket M12x1, 8-pin



#### General technical data

Conforms to standard	EN 61076-2-101
Cable identification	Without inscription label holder

#### Technical data – Electrical connection 1

Function	Field device side
Connection type	Socket
Cable outlet	Straight
Design	Round
Connection technology	M12x1, A-coded to EN 61076-2-101
Number of pins/cores	8
Assigned pins/cores	4
Type of mounting	Screw-type lock

#### Technical data – Electrical connection 2

Function	Controller side
Connection type	Plug
Cable outlet	Straight
Design	Round
Connection technology	M12x1, A-coded to EN 61076-2-101
Number of pins/cores	4
Assigned pins/cores	4
Type of mounting	Screw-type lock

#### Technical data – Electrics

Operating voltage range	[V DC]	0 ... 30
	[V AC]	0 ... 30
Current rating at 40 °C	[A]	2
Surge resistance	[kV]	0.8
Pollution degree		3
Shielding		Yes

#### Technical data – Cable

Cable diameter	[mm]	5.6
Cable diameter tolerance	[mm]	±0.2
Cable characteristic		Standard
Bending radius, fixed cable installation	[mm]	≥29
Bending radius, flexible cable installation	[mm]	≥58
Cable composition	[mm <sup>2</sup> ]	4x0.34
Nominal conductor cross-section	[mm <sup>2</sup> ]	0.34

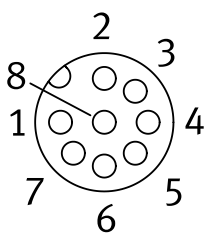
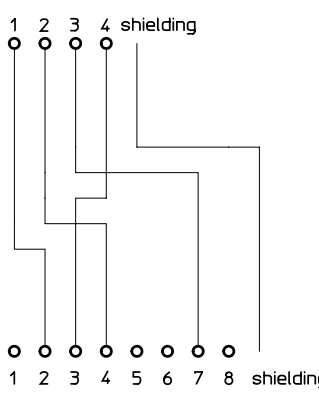
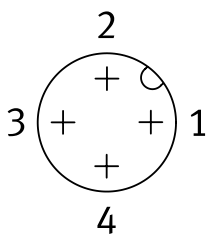
## Datasheet

Materials	
Housing	TPE-U(PUR)
Housing colour	Black
Screw-type lock	Nickel-plated brass
Seals	NBR
Pin contacts	Gold-plated brass
Cable sheath	TPE-U(PUR)
Cable sheath colour	Grey
Insulating sheath	PP
Note on materials	RoHS-compliant
	Halogen-free
LABS (PWIS) conformity	VDMA24364-B2-L

Operating and environmental conditions		
Ambient temperature	[°C]	-25 ... +85
Ambient temperature with flexible cable installation	[°C]	-5 ... +80
Corrosion resistance class CRC <sup>1)</sup>		2
CE marking (see declaration of conformity) <sup>2)</sup>		To EU RoHS Directive
UKCA marking (see declaration of conformity) <sup>2)</sup>		To UK RoHS regulations
Degree of protection		IP67
Note on degree of protection		In mounted state

1) More information: [www.festo.com/x/topic/crc](http://www.festo.com/x/topic/crc)

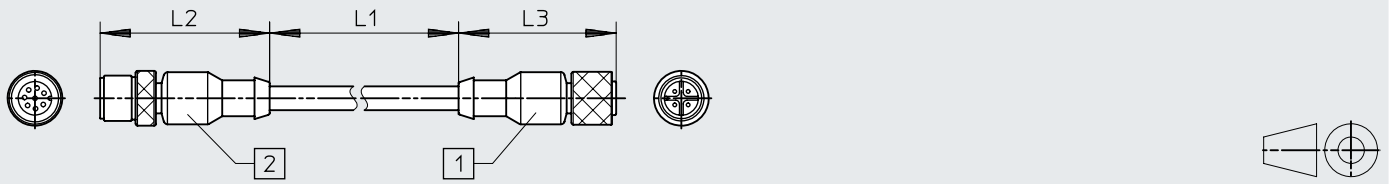
2) More information [www.festo.com/catalogue/...](http://www.festo.com/catalogue/...) → Support/Downloads.

Circuitry (socket/plug view)		
Electrical connection 1	Circuitry	Electrical connection 2
		

## Datasheet

### Dimensions

Download CAD data → [www.festo.com](http://www.festo.com)



[1] Plug M12x1, 4-pin

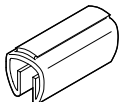
[2] Socket M12x1, 8-pin

Type	L1	L2	L3
NEBV-M12G8-K-2-M12G4	2000	44.9	41.7
NEBV-M12G8-K-5-M12G4	5000	44.9	41.7

### Ordering data

Electrical connection		Cable length [m]	Part no.	Type
Connection 1	Connection 2			
Socket M12x1, 8-pin	Plug M12x1, 4-pin	2	553575	NEBV-M12G8-K-2-M12G4
		5	553576	NEBV-M12G8-K-5-M12G4

### Ordering data – Accessories

			Part no.	Type
	Inscription labels for attaching to a cable with diameter 5 ... 8 mm	11x20 mm	33361	KM-BZ