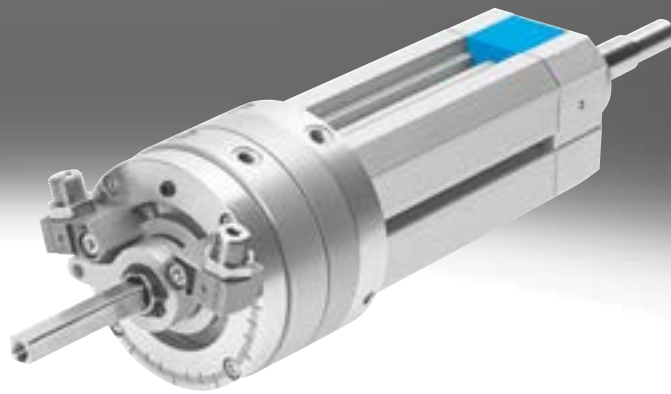


Swivel/linear units DSL-B

FESTO

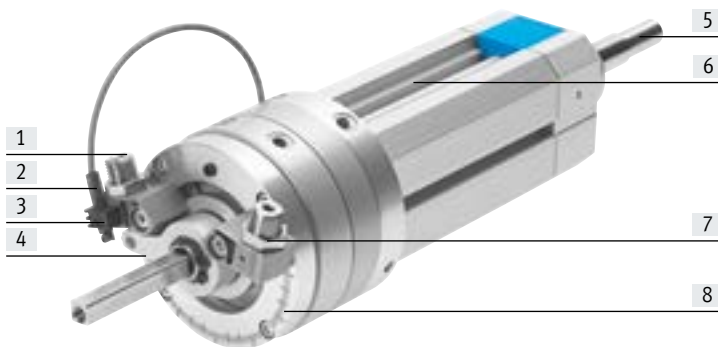


Key features

At a glance

- High repetition accuracy thanks to cushioning components with fixed stop
- Swivel angle can be infinitely and accurately set
- The mechanical gearing between the stop element and the swivel module prevents movement of the stop system under load
- Compact sensing of the swivel motion via proximity switches SME/SMT-10
- With plain-bearing guide
- With recirculating ball bearing guide
- Swivel motion of up to 270°
- Linear motion of up to 200 mm stroke
- The two movements can be controlled individually or simultaneously
- High rotational energy during swivelling due to self-adjusting shock absorbers which can be directly mounted
- Supply ports at one end for quick, clearly laid-out tubing connections
- High precision thanks to recirculating ball bearing guide
 - Backlash-free swivel motion
 - Torque load also possible during the linear motion

The technology in detail



[1] Cushioning

- Choice of two types of cushioning, each with metal fixed stop:
 - Elastic cushioning components
 - Hydraulic shock absorber

[2] Position sensing

- Compact sensing of the swivel position with proximity switches SME/SMT-10

[3] Sensor bracket

- The proximity switches are mounted directly on the stop system. The sensor retainer can be ordered as an accessory

[4] Stop lever

- The magnet in the stop lever enables the swivel angle to be sensed

[5] Piston rod

Mounting interface, for example for a gripper

[6] Slot for proximity switch

- Compact sensing of the linear position with proximity switches SME/SMT-8

[7] Precision end-position adjustment

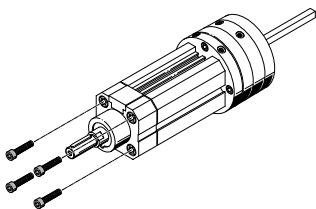
- After the lock nut is loosened, the end positions can be precisely adjusted using an Allen key

[8] Angle scale

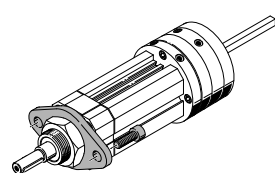
- The required swivel angle can be easily preset using the scale

Mounting options

Direct mounting

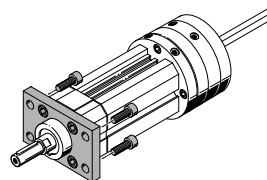


Flange mounting



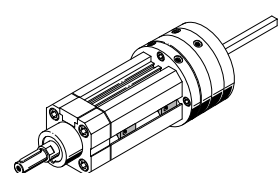
With size 16:
The mounting thread on the bearing cap complies with DIN ISO 6432.

Flange mounting



With size 20 ... 40:
Mounting hole pattern to DIN ISO 6431, VDMA 24 562 and NF E 49 003.1.

Via slot nuts

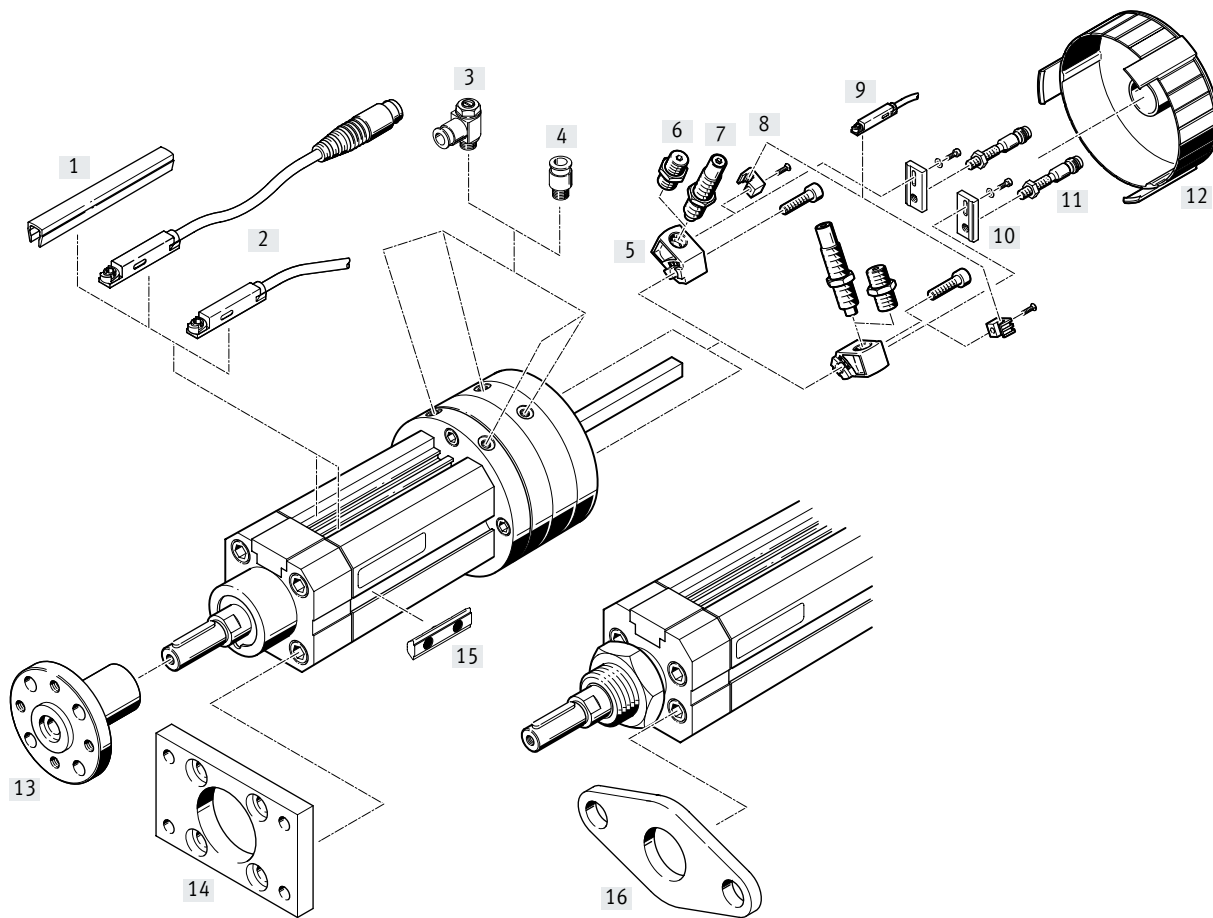


Type codes

001	Series	
DSL	Swivel linear unit, double-acting	
002	Size	
16	16	
20	20	
25	25	
32	32	
40	40	
003	Stroke	
...	10 ... 200	
004	Swivel angle	
270	270°	

005	End-position cushioning	
P	Elastic cushioning components at both ends	
CC	Shock absorber at both ends	
006	Position sensing	
A	For proximity sensor	
007	Piston rod type	
S2	Through piston rod	
S20	Through, hollow piston rod	
008	Guide	
	Plain-bearing guide	
KF	Recirculating ball bearing guide	
009	Generation	
B	Series B	

Peripherals overview

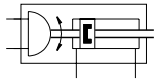
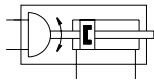





Peripherals overview

Accessories	Description	→ Page/Internet
[1] Slot cover ABP	To protect the proximity switch cable and keep dirt out of the sensor/profile slots	22
[2] Proximity switch SME/SMT-8	For sensing the linear position	21
[3] One-way flow control valve GRLA	For regulating speed	20
[4] Push-in fitting QS	For connecting tubing with standard O.D.	qs
[5] Cushioning mount DSM-B	<ul style="list-style-type: none"> For mounting elastic cushioning components or shock absorbers Included in the scope of delivery of swivel/linear unit DSL-...-P/CC 	20
[6] Cushioning kit DSM-...-P-B	<ul style="list-style-type: none"> Elastic cushioning components with fixed stop Included in the scope of delivery of swivel/linear unit DSL-...-P 	20
[7] Shock absorber DYSC	<ul style="list-style-type: none"> Self-adjusting shock absorbers with fixed stop Included in the scope of delivery of swivel/linear unit DSL-...-CC 	20
[8] Sensor bracket SL-DSM-B	For mounting the proximity switches SME/SMT-10	21
[9] Proximity switch SME/SMT-10	For sensing the swivel position	21
[10] Sensor bracket SL-DSM-S	For mounting the inductive proximity switches SIEN	21
[11] Proximity switch SIEN	For sensing the swivel position	21
[12] Cover cap AKM	<ul style="list-style-type: none"> Reduces the risk of injury in the swivel range of the stop lever Cannot be used in combination with inductive proximity switch SIEN 	20
[13] Push-on flange FWSR	For retrofitting the swivel/linear unit DSL	19
[14] Flange mounting FNC	For bearing cap of swivel/linear unit DSL-20 ... 40	18
[15] Slot nut NST	For mounting the drive via the linear part	19
[16] Flange mounting FBN	For bearing cap of swivel/linear unit DSL-16	18
– Adapters	For drive/drive connections	23
	For drive/gripper connections	gripper

Data sheet

Function


www.festo.com


-  Size
16 ... 40 mm
-  Stroke length
10 ... 200 mm
-  Force
1.25 ... 20 Nm

General technical data			16	20	25	32	40
Size			16	20	25	32	40
Pneumatic connection			M5			G1/8	
Design			Rotary cylinder with vane combined with a double-acting linear cylinder				
Cushioning	Swivel motion		P – Flexible cushioning components at both ends CC – Shock absorber at both ends				
	Linear motion		P – Not adjustable at either end				
Max. swivel angle	With cushioning P	[°]	270	270	270	270	270
	With cushioning CC	[°]	246	246	246	246	240
Max. swivel angle backlash ^{1/4)}	With plain-bearing guide	[°]	2				
	With recirculating ball bearing guide	[°]	0.05				
Swivel angle adjustment ²⁾	With cushioning P	[°]	-6				
	With cushioning CC	[°]	-3				
Max. perm. swivel frequency ³⁾	With cushioning P	[Hz]	2	2	2	2	2
	With cushioning CC	[Hz]	1.5	1	1	0.7	0.7
Stroke	With plain-bearing guide	[mm]	10 ... 160			10 ... 200	
	With recirculating ball bearing guide	[mm]	10 ... 100				10 ... 160
Max. impact velocity		[mm/s]	500				
Repetition accuracy	With cushioning P	[°]	1				
Swivel motion ⁴⁾	With cushioning CC	[°]	0.1				
Position sensing			Via proximity switch				
Type of mounting			Clamped in T-slot				
			With male thread				
Mounting position			Any				

1) In new condition

2) Per side

3) At max. swivel angle

4) Important: Where there is an external, alternating force, the swivel angle play of the respective variant (plain-bearing guide GF or recirculating ball bearing guide KF) must be added to the swivel angle.

Data sheet

Operating and environmental conditions		
Operating medium		Compressed air to ISO 8573-1:2010 [7:4:4]
Note on the operating/pilot medium		Lubricated operation possible (in which case lubricated operation will always be required)
Operating pressure	[bar]	2.5 ... 8
Ambient temperature ¹⁾	[°C]	-10 ... +60
Corrosion resistance CRC ²⁾		1

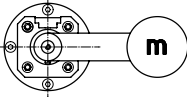
1) Note operating range of proximity switches


2) Corrosion resistance class CRC 1 to Festo standard FN 940070

Low corrosion stress. Dry indoor application or transport and storage protection. Also applies to parts behind covers, in the non-visible interior area, and parts which are covered in the application (e.g. drive trunnions).

Forces and torques							
Size			16	20	25	32	40
Torque ¹⁾		[Nm]	1.25	2.5	5	10	20
Force, advancing ¹⁾	With plain-bearing guide	[N]	102.5	159	246	422.5	660
	With recirculating ball bearing guide	[N]	103.5	158	248	403.5	603
Force, retracting ¹⁾		[N]	73.5	120.5	173.5	294	495
Max. permissible payload → page 9		[kg]	1	3	6	9	14

1) Theoretical values at 6 bar.

Max. dynamic load torque (linear motion)							
Size			16	20	25	32	40
	With plain-bearing guide	[Nm]	0.1	0.2	0.45	0.8	1.1
	With recirculating ball bearing guide	[Nm]	0.17	0.35	0.7	1.0	5.4

 **Note**

The vane is not suitable for end-position fixing, i.e. the stop lever and stops must not be removed.

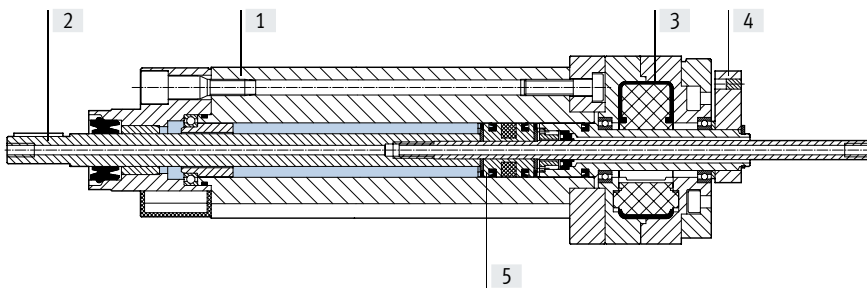
With plain-bearing guide:
With eccentric attachment of the payload and horizontal installation, increased friction forces arise internally, reducing the effective force of the linear motion.

Data sheet

Weight [g]						
Size	16	20	25	32	40	
Plain-bearing guide						
Cushioning P	695	1090	1510	2985	5150	
Cushioning CC	697	1130	1605	3020	5205	
Additional weight per 10 mm stroke	33	52	67	109	170	
Recirculating ball bearing guide						
Cushioning P	745	1180	1660	3265	5300	
Cushioning CC	747	1220	1755	3300	5355	
Additional weight per 10 mm stroke	33	52	67	109	175	

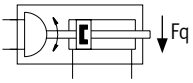
Materials

Sectional view

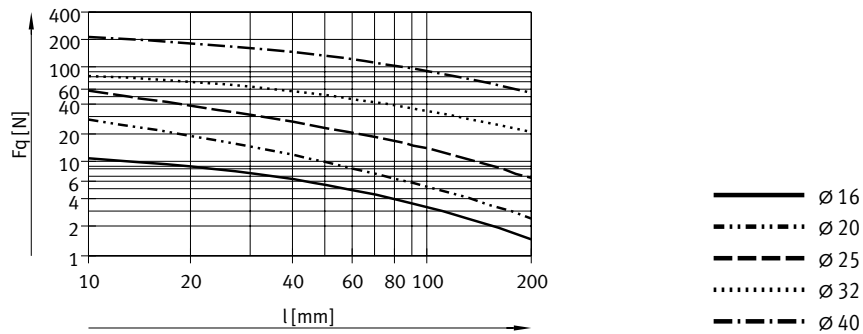
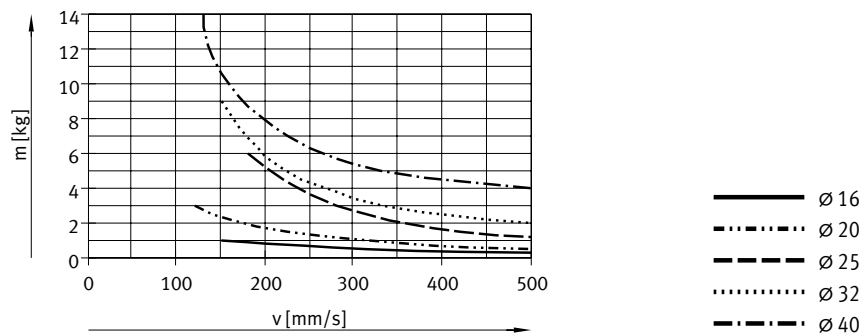
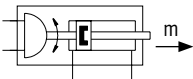


Swivel/linear unit		
[1]	Cylinder barrel, housing	Smooth-anodised wrought aluminium alloy
[2]	Piston rod, shaft	Nickel-plated stainless steel
[3]	Vane	Glass fibre-reinforced plastic
[4]	Stop lever	Anodised aluminium
[5]	Piston	Brass
-	Fixed stops, shock absorber retainer	Stainless steel
-	Seals	Polyurethane

Data sheet

Lateral force F_q as a function of stroke length l 

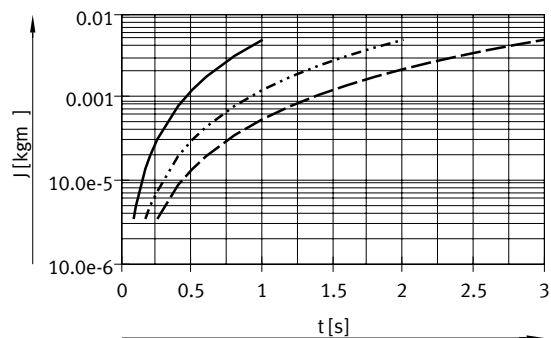
- Piston rod with bearings at both ends
- For high torques and lateral forces

Max. permissible payload as a function of piston speed v 

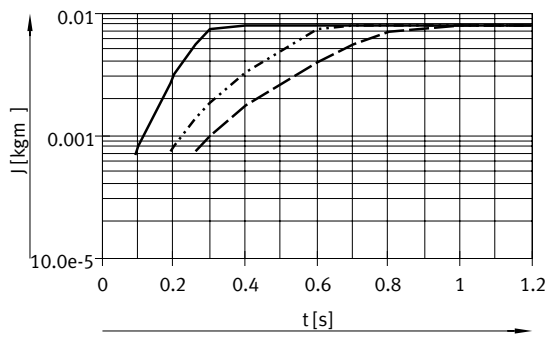
Data sheet

Max. permissible mass moment of inertia J as a function of swivel time t

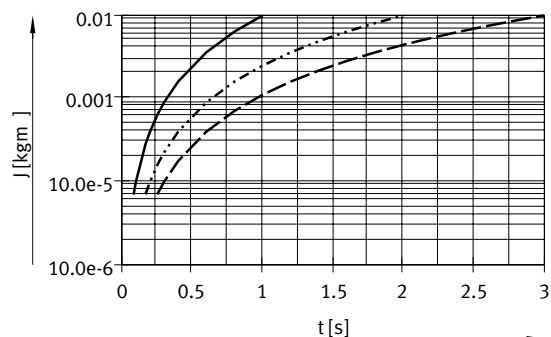
DSL-16-...-P



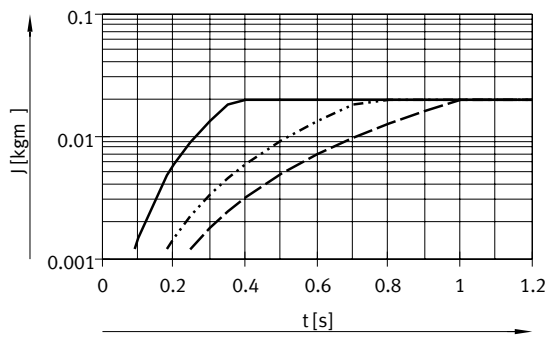
DSL-16-...-CC



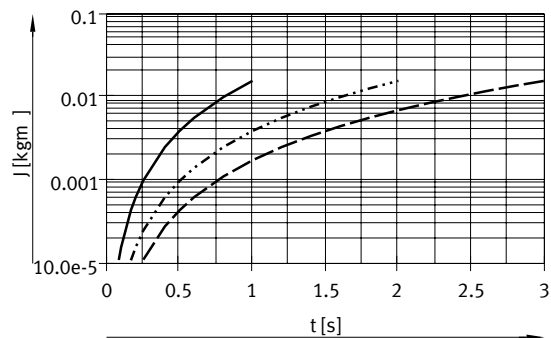
DSL-20-...-P



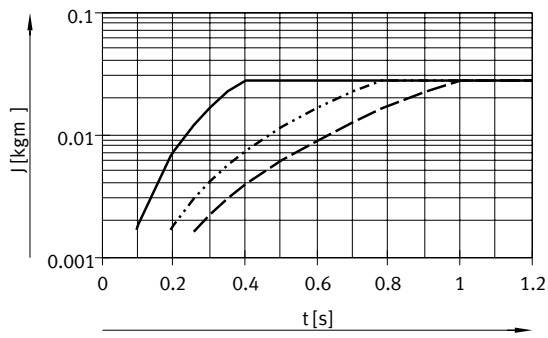
DSL-20-...-CC



DSL-25-...-P



DSL-25-...-CC

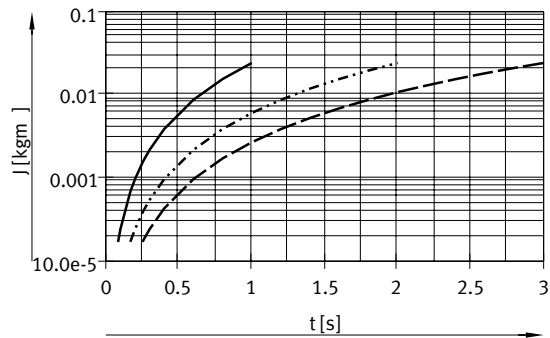


- 90°
- · - · - 180°
- - - 270°

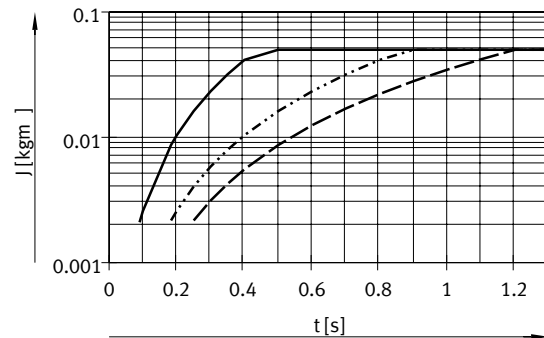
Data sheet

Max. permissible mass moment of inertia J as a function of swivel time t

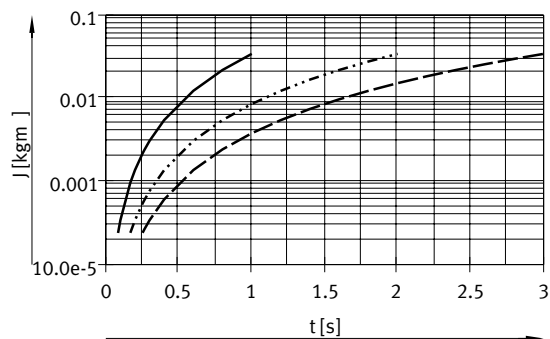
DSL-32-...-P



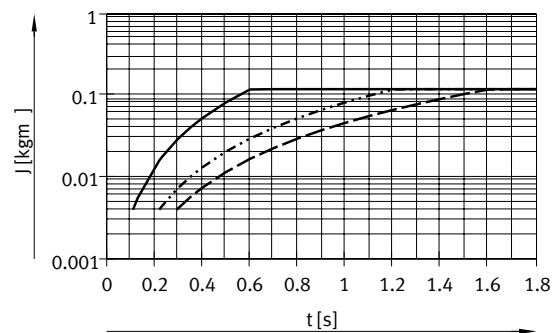
DSL-32-...-CC



DSL-40-...-P




DSL-40-...-CC




— 90°
 - · - · - 180°
 - - - 270°

Cushioning time of the shock absorber

Size	16/20/25	32	40
Cushioning time	[s] 0.1	0.25	0.3

 **Note**

In the graphs for the types DSL-...-CC, the swivel time is shown up to the point when the stop lever meets the shock absorber. The cushioning time of the shock absorber must be added in order to obtain the total swivel time.

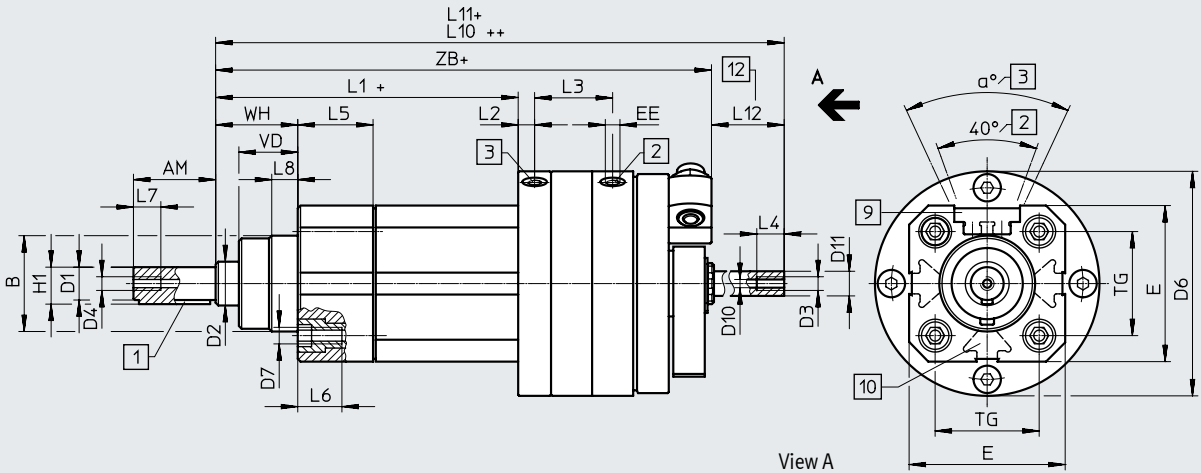
 **Note**

Engineering software
 for calculating inertia
 → www.festo.com

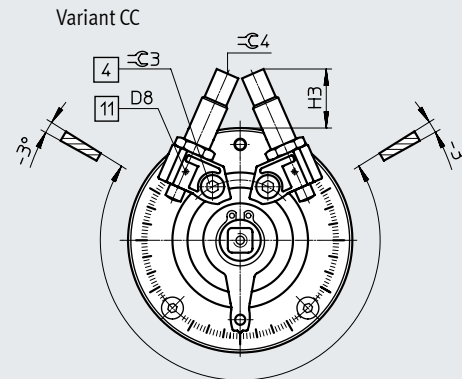
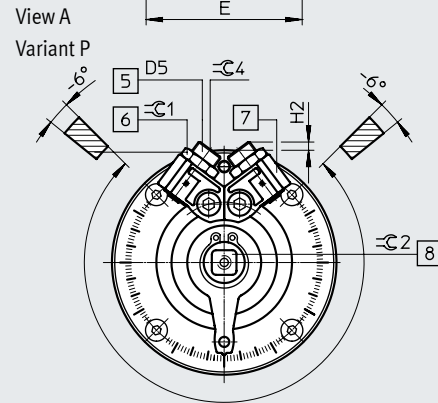
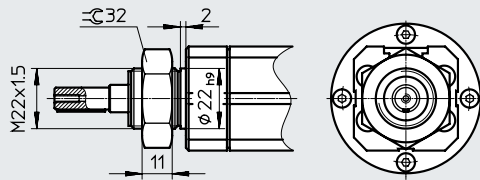
Data sheet

Dimensions

Download CAD data → www.festo.com



Piston Ø 16 mm



- | | | | |
|---|--|--|--|
| [1] Featherkey position at 0° | [5] End-position adjustment | [9] Sensor slot for proximity switch SME/SMT-8 | [12] Piston rod projection: Occurs for some variants in combination with S2, always for S20 → Page 13 bottom |
| [2] Supply port, swivel part | [6] Lock nut for end-position adjustment | [10] Mounting slots | |
| [3] Supply port, linear part | [7] Infinitely adjustable fixed stops | [11] Mounting thread for sensor bracket | |
| [4] Locking screw for clamping the stop | [8] Manual override (square) | | |

+ = plus stroke length
 ++ = plus 2x stroke length

Data sheet

Size	AM	B ∅ d11	D1 ∅ g7	D2 ∅ f8	D3 ¹⁾		D4		D5	D6 ∅ ±0.2	D7	D8
					S2	S20	S2	S20				
16	20±0.2	–	8	10	M3	M3	M3	M3	M8x1	58	–	M2
20	23±0.2	30	10	12	M5	M5	M5	M5	M10x1	69	M6	M2
25	30±0.2	35	12	16	M5	M5	M5	M5	M10x1	82	M6	M2
32	40±0.3	40	16	20	M5	M5	M5	M5	M12x1	104	M8	M2
40	50±0.3	45	20	25	M6	M7	M6	M7	M16x1	128	M8	M2

Size	D11 ¹⁾	E	EE	H1 max.	H2	H3	L1 ¹⁾	L2 ±0.2	L3	L4
20	–	50	M5	11.2	8.1	27.7	95+1.1/-1.3	6	26.2±0.6	10 ⁺¹
25	–	57	M5	13.5	4	22	100.5+1.2/-1.3	6	29.5±0.6	10 ⁺¹
32	–	72	G1/8	18	6	30.5	111+1.3/-1.4	9	39.5±0.6	12.5 ⁺²
40	–	83.5	G1/8	22.5	5.7	45.5	132+1.3/-1.4	9	44.7±0.6	6.5 ⁺²

Size	L5	L6 +2	L7	L8 ±0.3	L10 ¹⁾	TG	VD	WH
20	26 ^{-0.2}	17	10 ⁺¹	10.5	175+0.8/-0.1	32.5	19±0.2	26+1.3/-1.7
25	27.5 ^{-0.2}	17	10 ⁺¹	10.5	186.5+0.8/-0.1	38	21.5±0.2	30+1.4/-1.7
32	28.5 ^{-0.2}	21	12.5 ⁺²	12	224+0.6/-0.2	46.5	28.5±0.3	37+1.4/-1.8
40	35 ^{-0.2}	18	14 ⁺²	15	263+0.6/-0.2	56.5	34.7±0.3	46+1.4/-1.8

Size	ZB ¹⁾	a	≈G1	≈G2	≈G3	≈G4	Featherkey to DIN 6885	D10 min. ∅ S20
20	161.8+1.4/-1.5	50°	13	7	3	3	A3x3x18	3.2
25	173.4+1.4/-1.2	50°	13	9	4	3	A4x4x25	4.2
32	205+1.5/-1.9	50°	15	10	5	4	A5x5x36	4.2
40	243.5+1.5/-1.9	50°	19	12	8	5	A6x6x45	5.6

1) Dimensions for variant with plain-bearing guide. Dimensions vary for variant with recirculating ball bearing guide, see below.

Deviating dimensions for variant with recirculating ball bearing guide KF

Size	Stroke	D3		D11 ∅ H7	L1	L11			ZB
		S2	S20			S2* +0.8/-0.1	S2** +0.8/-0.1	S20 +0.8/-0.1	
16	25	–	M3	6	104+1.1/-1.3	***	213	198	159.6+1.4/-1.5
	≤ 50					***		223	
	> 50					213		273	
20	≤ 50	–	M5	8	111+1.1/-1.3	***	225	241	177.7+1.4/-1.5
	> 50					225		291	
	≤ 50					–		M5	
> 50	238	316							
32	≤ 50	–	M7	13	143+1.3/-1.4		***		253
	> 50					253	355		
	40					≤ 50	–	G1/8	
> 50		***	414						
> 100		352	464						

* Dimensions for standard strokes

** Dimensions for X-strokes (→ ordering data starting on page 14)

*** Profile rod does not protrude beyond the drive unit

Data sheet

Ordering data – With recirculating ball bearing guide						
Size	Stroke [mm]	P – Flexible cushioning components at both ends		CC – Shock absorber at both ends		
		Part no.	Type	Part no.	Type	
S2 – Through piston rod						
16	25	556390	DSL-16-25-270-P-A-S2-B	556391	DSL-16-25-270-CC-A-S2-B	
	40	556396	DSL-16-40-270-P-A-S2-B	556397	DSL-16-40-270-CC-A-S2-B	
	50	556402	DSL-16-50-270-P-A-S2-B	556403	DSL-16-50-270-CC-A-S2-B	
	80	556408	DSL-16-80-270-P-A-S2-B	556409	DSL-16-80-270-CC-A-S2-B	
	100	556414	DSL-16-100-270-P-A-S2-B	556415	DSL-16-100-270-CC-A-S2-B	
	10 ... 160*	556420	DSL-16-...-270-P-A-S2-B	556421	DSL-16-...-270-CC-A-S2-B	
20	25	556426	DSL-20-25-270-P-A-S2-B	556427	DSL-20-25-270-CC-A-S2-B	
	40	556432	DSL-20-40-270-P-A-S2-B	556433	DSL-20-40-270-CC-A-S2-B	
	50	556438	DSL-20-50-270-P-A-S2-B	556439	DSL-20-50-270-CC-A-S2-B	
	80	556444	DSL-20-80-270-P-A-S2-B	556445	DSL-20-80-270-CC-A-S2-B	
	100	556450	DSL-20-100-270-P-A-S2-B	556451	DSL-20-100-270-CC-A-S2-B	
	10 ... 160*	556456	DSL-20-...-270-P-A-S2-B	556457	DSL-20-...-270-CC-A-S2-B	
25	25	556462	DSL-25-25-270-P-A-S2-B	556463	DSL-25-25-270-CC-A-S2-B	
	40	556468	DSL-25-40-270-P-A-S2-B	556469	DSL-25-40-270-CC-A-S2-B	
	50	556474	DSL-25-50-270-P-A-S2-B	556475	DSL-25-50-270-CC-A-S2-B	
	80	556480	DSL-25-80-270-P-A-S2-B	556481	DSL-25-80-270-CC-A-S2-B	
	100	556486	DSL-25-100-270-P-A-S2-B	556487	DSL-25-100-270-CC-A-S2-B	
	10 ... 160*	556492	DSL-25-...-270-P-A-S2-B	556493	DSL-25-...-270-CC-A-S2-B	
32	25	556498	DSL-32-25-270-P-A-S2-B	556499	DSL-32-25-270-CC-A-S2-B	
	40	556504	DSL-32-40-270-P-A-S2-B	556505	DSL-32-40-270-CC-A-S2-B	
	50	556510	DSL-32-50-270-P-A-S2-B	556511	DSL-32-50-270-CC-A-S2-B	
	80	556516	DSL-32-80-270-P-A-S2-B	556517	DSL-32-80-270-CC-A-S2-B	
	100	556522	DSL-32-100-270-P-A-S2-B	556523	DSL-32-100-270-CC-A-S2-B	
	10 ... 200*	556528	DSL-32-...-270-P-A-S2-B	556529	DSL-32-...-270-CC-A-S2-B	
40	25	556534	DSL-40-25-270-P-A-S2-B	556535	DSL-40-25-270-CC-A-S2-B	
	40	556540	DSL-40-40-270-P-A-S2-B	556541	DSL-40-40-270-CC-A-S2-B	
	50	556546	DSL-40-50-270-P-A-S2-B	556547	DSL-40-50-270-CC-A-S2-B	
	80	556552	DSL-40-80-270-P-A-S2-B	556553	DSL-40-80-270-CC-A-S2-B	
	100	556558	DSL-40-100-270-P-A-S2-B	556559	DSL-40-100-270-CC-A-S2-B	
	125	556564	DSL-40-125-270-P-A-S2-B	556565	DSL-40-125-270-CC-A-S2-B	
	160	556570	DSL-40-160-270-P-A-S2-B	556571	DSL-40-160-270-CC-A-S2-B	
	10 ... 200*	556576	DSL-40-...-270-P-A-S2-B	556577	DSL-40-...-270-CC-A-S2-B	

*) X-strokes

Data sheet

Ordering data – With recirculating ball bearing guide						
Size	Stroke [mm]	P – Flexible cushioning components at both ends		CC – Shock absorber at both ends		
		Part no.	Type	Part no.	Type	
S20 – Through, hollow piston rod						
16	25	556393	DSL-16-25-270-P-A-S20-B	556394	DSL-16-25-270-CC-A-S20-B	
	40	556399	DSL-16-40-270-P-A-S20-B	556400	DSL-16-40-270-CC-A-S20-B	
	50	556405	DSL-16-50-270-P-A-S20-B	556406	DSL-16-50-270-CC-A-S20-B	
	80	556411	DSL-16-80-270-P-A-S20-B	556412	DSL-16-80-270-CC-A-S20-B	
	100	556417	DSL-16-100-270-P-A-S20-B	556418	DSL-16-100-270-CC-A-S20-B	
	10 ... 160*	556423	DSL-16-...-270-P-A-S20-B	556424	DSL-16-...-270-CC-A-S20-B	
20	25	556429	DSL-20-25-270-P-A-S20-B	556430	DSL-20-25-270-CC-A-S20-B	
	40	556435	DSL-20-40-270-P-A-S20-B	556436	DSL-20-40-270-CC-A-S20-B	
	50	556441	DSL-20-50-270-P-A-S20-B	556442	DSL-20-50-270-CC-A-S20-B	
	80	556447	DSL-20-80-270-P-A-S20-B	556448	DSL-20-80-270-CC-A-S20-B	
	100	556453	DSL-20-100-270-P-A-S20-B	556454	DSL-20-100-270-CC-A-S20-B	
	10 ... 160*	556459	DSL-20-...-270-P-A-S20-B	556460	DSL-20-...-270-CC-A-S20-B	
25	25	556465	DSL-25-25-270-P-A-S20-B	556466	DSL-25-25-270-CC-A-S20-B	
	40	556471	DSL-25-40-270-P-A-S20-B	556472	DSL-25-40-270-CC-A-S20-B	
	50	556477	DSL-25-50-270-P-A-S20-B	556478	DSL-25-50-270-CC-A-S20-B	
	80	556483	DSL-25-80-270-P-A-S20-B	556484	DSL-25-80-270-CC-A-S20-B	
	100	556489	DSL-25-100-270-P-A-S20-B	556490	DSL-25-100-270-CC-A-S20-B	
	10 ... 160*	556495	DSL-25-...-270-P-A-S20-B	556496	DSL-25-...-270-CC-A-S20-B	
32	25	556501	DSL-32-25-270-P-A-S20-B	556502	DSL-32-25-270-CC-A-S20-B	
	40	556507	DSL-32-40-270-P-A-S20-B	556508	DSL-32-40-270-CC-A-S20-B	
	50	556513	DSL-32-50-270-P-A-S20-B	556514	DSL-32-50-270-CC-A-S20-B	
	80	556519	DSL-32-80-270-P-A-S20-B	556520	DSL-32-80-270-CC-A-S20-B	
	100	556525	DSL-32-100-270-P-A-S20-B	556526	DSL-32-100-270-CC-A-S20-B	
	10 ... 200*	556531	DSL-32-...-270-P-A-S20-B	556532	DSL-32-...-270-CC-A-S20-B	
40	25	556537	DSL-40-25-270-P-A-S20-B	556538	DSL-40-25-270-CC-A-S20-B	
	40	556543	DSL-40-40-270-P-A-S20-B	556544	DSL-40-40-270-CC-A-S20-B	
	50	556549	DSL-40-50-270-P-A-S20-B	556550	DSL-40-50-270-CC-A-S20-B	
	80	556555	DSL-40-80-270-P-A-S20-B	556556	DSL-40-80-270-CC-A-S20-B	
	100	556561	DSL-40-100-270-P-A-S20-B	556562	DSL-40-100-270-CC-A-S20-B	
	125	556567	DSL-40-125-270-P-A-S20-B	556568	DSL-40-125-270-CC-A-S20-B	
	160	556573	DSL-40-160-270-P-A-S20-B	556574	DSL-40-160-270-CC-A-S20-B	
	10 ... 200*	556579	DSL-40-...-270-P-A-S20-B	556580	DSL-40-...-270-CC-A-S20-B	

*) X-strokes

Data sheet

Ordering data – With recirculating ball bearing guide					
Size	Stroke [mm]	P – Flexible cushioning components at both ends		CC – Shock absorber at both ends	
		Part no.	Type	Part no.	Type
S2 – Through piston rod					
16	25	556582	DSL-16-25-270-P-A-S2-KF-B	556583	DSL-16-25-270-CC-A-S2-KF-B
	40	556588	DSL-16-40-270-P-A-S2-KF-B	556589	DSL-16-40-270-CC-A-S2-KF-B
	50	556594	DSL-16-50-270-P-A-S2-KF-B	556595	DSL-16-50-270-CC-A-S2-KF-B
	80	556600	DSL-16-80-270-P-A-S2-KF-B	556601	DSL-16-80-270-CC-A-S2-KF-B
	100	556606	DSL-16-100-270-P-A-S2-KF-B	556607	DSL-16-100-270-CC-A-S2-KF-B
	10 ... 100*	556612	DSL-16-...-270-P-A-S2-KF-B	556613	DSL-16-...-270-CC-A-S2-KF-B
20	25	556618	DSL-20-25-270-P-A-S2-KF-B	556619	DSL-20-25-270-CC-A-S2-KF-B
	40	556624	DSL-20-40-270-P-A-S2-KF-B	556625	DSL-20-40-270-CC-A-S2-KF-B
	50	556630	DSL-20-50-270-P-A-S2-KF-B	556631	DSL-20-50-270-CC-A-S2-KF-B
	80	556636	DSL-20-80-270-P-A-S2-KF-B	556637	DSL-20-80-270-CC-A-S2-KF-B
	100	556642	DSL-20-100-270-P-A-S2-KF-B	556643	DSL-20-100-270-CC-A-S2-KF-B
	10 ... 100*	556648	DSL-20-...-270-P-A-S2-KF-B	556649	DSL-20-...-270-CC-A-S2-KF-B
25	25	556654	DSL-25-25-270-P-A-S2-KF-B	556655	DSL-25-25-270-CC-A-S2-KF-B
	40	556660	DSL-25-40-270-P-A-S2-KF-B	556661	DSL-25-40-270-CC-A-S2-KF-B
	50	556666	DSL-25-50-270-P-A-S2-KF-B	556667	DSL-25-50-270-CC-A-S2-KF-B
	80	556672	DSL-25-80-270-P-A-S2-KF-B	556673	DSL-25-80-270-CC-A-S2-KF-B
	100	556678	DSL-25-100-270-P-A-S2-KF-B	556679	DSL-25-100-270-CC-A-S2-KF-B
	10 ... 100*	556684	DSL-25-...-270-P-A-S2-KF-B	556685	DSL-25-...-270-CC-A-S2-KF-B
32	25	556690	DSL-32-25-270-P-A-S2-KF-B	556691	DSL-32-25-270-CC-A-S2-KF-B
	40	556696	DSL-32-40-270-P-A-S2-KF-B	556697	DSL-32-40-270-CC-A-S2-KF-B
	50	556702	DSL-32-50-270-P-A-S2-KF-B	556703	DSL-32-50-270-CC-A-S2-KF-B
	80	556708	DSL-32-80-270-P-A-S2-KF-B	556709	DSL-32-80-270-CC-A-S2-KF-B
	100	556714	DSL-32-100-270-P-A-S2-KF-B	556715	DSL-32-100-270-CC-A-S2-KF-B
	10 ... 100*	556720	DSL-32-...-270-P-A-S2-KF-B	556721	DSL-32-...-270-CC-A-S2-KF-B
40	25	556726	DSL-40-25-270-P-A-S2-KF-B	556727	DSL-40-25-270-CC-A-S2-KF-B
	40	556732	DSL-40-40-270-P-A-S2-KF-B	556733	DSL-40-40-270-CC-A-S2-KF-B
	50	556738	DSL-40-50-270-P-A-S2-KF-B	556739	DSL-40-50-270-CC-A-S2-KF-B
	80	556744	DSL-40-80-270-P-A-S2-KF-B	556745	DSL-40-80-270-CC-A-S2-KF-B
	100	556750	DSL-40-100-270-P-A-S2-KF-B	556751	DSL-40-100-270-CC-A-S2-KF-B
	125	556756	DSL-40-125-270-P-A-S2-KF-B	556757	DSL-40-125-270-CC-A-S2-KF-B
	160	556762	DSL-40-160-270-P-A-S2-KF-B	556763	DSL-40-160-270-CC-A-S2-KF-B
	10 ... 160*	556768	DSL-40-...-270-P-A-S2-KF-B	556769	DSL-40-...-270-CC-A-S2-KF-B

*) X-strokes

Data sheet

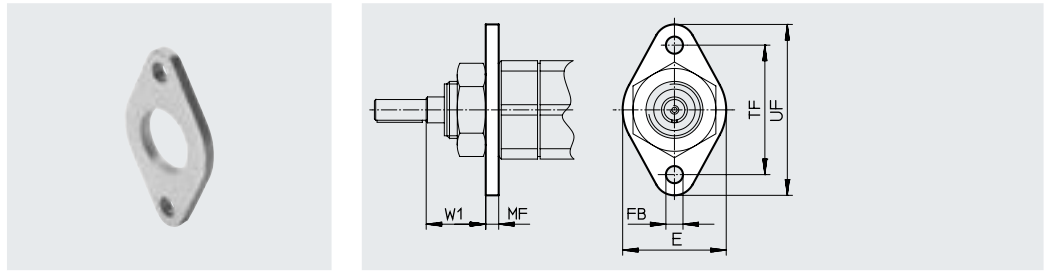
Ordering data – With recirculating ball bearing guide						
Size	Stroke [mm]	P – Flexible cushioning components at both ends		CC – Shock absorber at both ends		
		Part no.	Type	Part no.	Type	
S20 – Through, hollow piston rod						
16	25	556585	DSL-16-25-270-P-A-S20-KF-B	556586	DSL-16-25-270-CC-A-S20-KF-B	
	40	556591	DSL-16-40-270-P-A-S20-KF-B	556592	DSL-16-40-270-CC-A-S20-KF-B	
	50	556597	DSL-16-50-270-P-A-S20-KF-B	556598	DSL-16-50-270-CC-A-S20-KF-B	
	80	556603	DSL-16-80-270-P-A-S20-KF-B	556604	DSL-16-80-270-CC-A-S20-KF-B	
	100	556609	DSL-16-100-270-P-A-S20-KF-B	556610	DSL-16-100-270-CC-A-S20-KF-B	
	10 ... 100*	556615	DSL-16-...-270-P-A-S20-KF-B	556616	DSL-16-...-270-CC-A-S20-KF-B	
20	25	556621	DSL-20-25-270-P-A-S20-KF-B	556622	DSL-20-25-270-CC-A-S20-KF-B	
	40	556627	DSL-20-40-270-P-A-S20-KF-B	556628	DSL-20-40-270-CC-A-S20-KF-B	
	50	556633	DSL-20-50-270-P-A-S20-KF-B	556634	DSL-20-50-270-CC-A-S20-KF-B	
	80	556639	DSL-20-80-270-P-A-S20-KF-B	556640	DSL-20-80-270-CC-A-S20-KF-B	
	100	556645	DSL-20-100-270-P-A-S20-KF-B	556646	DSL-20-100-270-CC-A-S20-KF-B	
	10 ... 100*	556651	DSL-20-...-270-P-A-S20-KF-B	556652	DSL-20-...-270-CC-A-S20-KF-B	
25	25	556657	DSL-25-25-270-P-A-S20-KF-B	556658	DSL-25-25-270-CC-A-S20-KF-B	
	40	556663	DSL-25-40-270-P-A-S20-KF-B	556664	DSL-25-40-270-CC-A-S20-KF-B	
	50	556669	DSL-25-50-270-P-A-S20-KF-B	556670	DSL-25-50-270-CC-A-S20-KF-B	
	80	556675	DSL-25-80-270-P-A-S20-KF-B	556676	DSL-25-80-270-CC-A-S20-KF-B	
	100	556681	DSL-25-100-270-P-A-S20-KF-B	556682	DSL-25-100-270-CC-A-S20-KF-B	
	10 ... 100*	556687	DSL-25-...-270-P-A-S20-KF-B	556688	DSL-25-...-270-CC-A-S20-KF-B	
32	25	556693	DSL-32-25-270-P-A-S20-KF-B	556694	DSL-32-25-270-CC-A-S20-KF-B	
	40	556699	DSL-32-40-270-P-A-S20-KF-B	556700	DSL-32-40-270-CC-A-S20-KF-B	
	50	556705	DSL-32-50-270-P-A-S20-KF-B	556706	DSL-32-50-270-CC-A-S20-KF-B	
	80	556711	DSL-32-80-270-P-A-S20-KF-B	556712	DSL-32-80-270-CC-A-S20-KF-B	
	100	556717	DSL-32-100-270-P-A-S20-KF-B	556718	DSL-32-100-270-CC-A-S20-KF-B	
	10 ... 100*	556723	DSL-32-...-270-P-A-S20-KF-B	556724	DSL-32-...-270-CC-A-S20-KF-B	
40	25	556729	DSL-40-25-270-P-A-S20-KF-B	556730	DSL-40-25-270-CC-A-S20-KF-B	
	40	556735	DSL-40-40-270-P-A-S20-KF-B	556736	DSL-40-40-270-CC-A-S20-KF-B	
	50	556741	DSL-40-50-270-P-A-S20-KF-B	556742	DSL-40-50-270-CC-A-S20-KF-B	
	80	556747	DSL-40-80-270-P-A-S20-KF-B	556748	DSL-40-80-270-CC-A-S20-KF-B	
	100	556753	DSL-40-100-270-P-A-S20-KF-B	556754	DSL-40-100-270-CC-A-S20-KF-B	
	125	556759	DSL-40-125-270-P-A-S20-KF-B	556760	DSL-40-125-270-CC-A-S20-KF-B	
	160	556765	DSL-40-160-270-P-A-S20-KF-B	556766	DSL-40-160-270-CC-A-S20-KF-B	
	10 ... 160*	556771	DSL-40-...-270-P-A-S20-KF-B	556772	DSL-40-...-270-CC-A-S20-KF-B	

*) X-strokes

Accessories

Flange mounting FBN

Material:
Galvanised steel
Free of copper and PTFE



Dimensions and ordering data

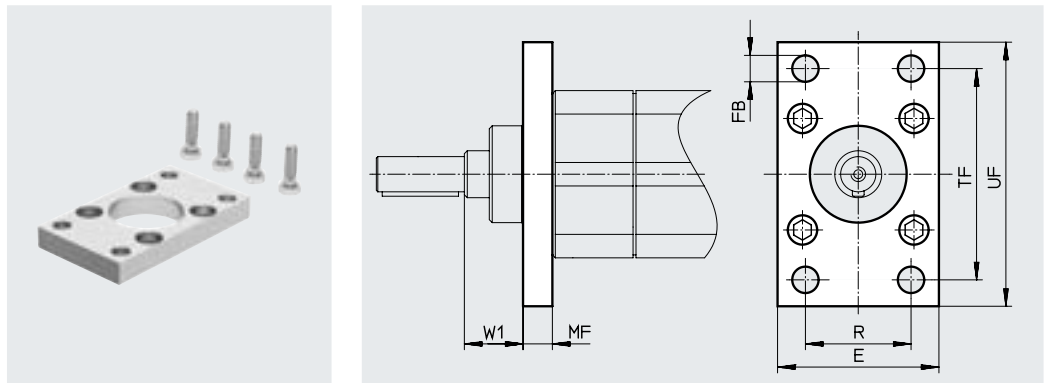
For size	E	FB ∅ H13	MF	TF	UF	W1	CRC ¹⁾	Weight [g]	Part no.	Type
16	40	6.6	5	50	66	23	1	52	5131	FBN-20/25

1) Corrosion resistance class CRC 1 to Festo standard FN 940070

Low corrosion stress. Dry indoor application or transport and storage protection. Also applies to parts behind covers, in the non-visible interior area, and parts which are covered in the application (e.g. drive trunnions).

Flange mounting FNC

Material:
Galvanised steel
Free of copper and PTFE



Dimensions and ordering data

For size	E	FB ∅ H13	MF	R	TF	UF	W1	CRC ¹⁾	Weight [g]	Part no.	Type
20	45	7	10	32	64	80	16	1	221	174376	FNC-32
25	54	9	10	36	72	90	20	1	291	174377	FNC-40
32	65	9	12	45	90	110	25	1	536	174378	FNC-50
40	75	9	12	50	100	120	34	1	679	174379	FNC-63

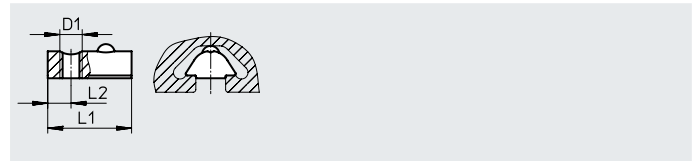
1) Corrosion resistance class CRC 1 to Festo standard FN 940070

Low corrosion stress. Dry indoor application or transport and storage protection. Also applies to parts behind covers, in the non-visible interior area, and parts which are covered in the application (e.g. drive trunnions).

Accessories

Slot nut NST

Material:
Non-alloyed tempered steel
Free of copper and PTFE



Dimensions and ordering data							
For size	D1	L1	L2	CRC ¹⁾	Weight [g]	Part no.	Type
16	M5	12 ±0.5	4	2	3	150914	NST-5-M5
20							
25	M6	22.5	6.25	2	11	150915	NST-8-M6
32							
40							

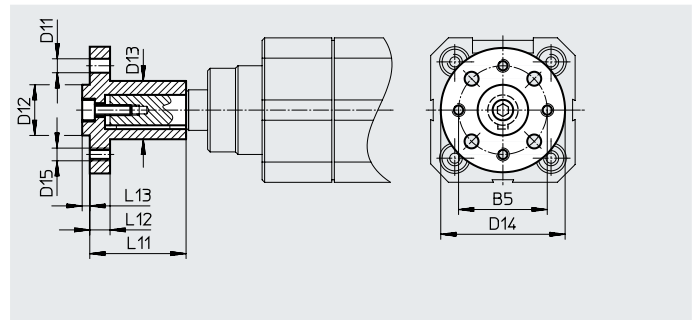
1) Corrosion resistance class CRC 2 to Festo standard FN 940070

Moderate corrosion stress. Indoor applications in which condensation can occur. External visible parts with primarily decorative surface requirements which are in direct contact with a normal industrial environment.

Push-on flange FWSR

The permissible tightening torque must not be exceeded when attaching additional components to the spigot shaft.

Material:
Anodised wrought aluminium alloy
Free of copper and PTFE



Dimensions and ordering data														
For size	B5	D11 ∅ H13	D12 ∅ f8	D13 ∅	D14 ∅	D15	L11	L12	L13	Tightening torque [Nm]	CRC ¹⁾	Weight [g]	Part no.	Type
16	25	3.4	14	15	35	M3	25	3	3	1.2	2	21	14659	FWSR-12
20	28	4.5	16	17	40	M4	28	5	6	5.5	2	32	170153	FWSR-16-M5
25	35	5.5	20	23	50	M5	38	8	3	5.5	2	70	170154	FWSR-25-M5
32	45	6.6	28	28	60	M6	48	10	4	5.5	2	127	13241	FWSR-32
40	54	9	36	38	70	M8	60	11	5	10	2	240	14656	FWSR-40

1) Corrosion resistance class CRC 2 to Festo standard FN 940070

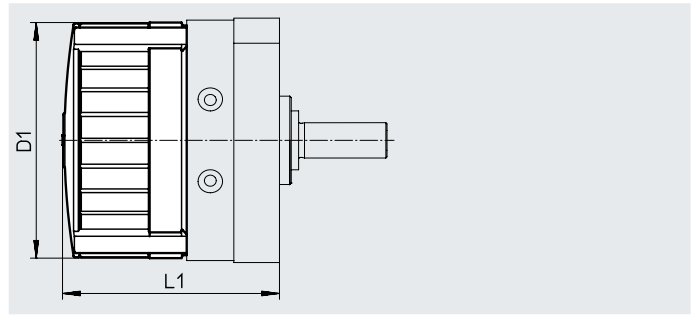
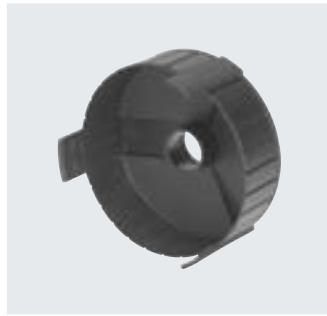
Moderate corrosion stress. Indoor applications in which condensation can occur. External visible parts with primarily decorative surface requirements which are in direct contact with a normal industrial environment.

Accessories

Cover cap AKM

Material:
Polyamide

Cannot be used in combination with
inductive proximity switch SIEN.



Dimensions and ordering data

For size	D1 ∅	L1	Part no.	Type
16	59	56.2±1.2	549194	AKM-12
20	70	68±1.2	549195	AKM-16
25	83	73.4±1.2	549196	AKM-25
32	105	89.7±1.5	549197	AKM-32
40	130	107.1±1.5	549198	AKM-40

Ordering data – Cushioning kits

	For size	Comment	Part no.	Type
	16	For cushioning mount DSM-...-B	550657	DSM-12-P-B
	20, 25		550658	DSM-16/25-P-B
	32		550659	DSM-32-P-B
	40		550660	DSM-40-P-B

Ordering data – Shock absorbers

Data sheets → Internet: dysc

	For size	Comment	Part no.	Type
	16	For cushioning mount DSM-...-B	548011	DYSC-5-5-Y1F
	20, 25		548012	DYSC-7-5-Y1F
	32		548013	DYSC-8-8-Y1F
	40		548014	DYSC-12-12-Y1F

Ordering data – Cushioning mounts

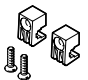

	For size	Comment	Part no.	Type
	16	<ul style="list-style-type: none"> For elastic cushioning components For shock absorbers 	547900	DSM-12-B
	20		547901	DSM-16-B
	25		547902	DSM-25-B
	32		547903	DSM-32-B
	40		547904	DSM-40-B

Ordering data – One-way flow control valves

Data sheets → Internet: grla

	Connection		Material	Part no.	Type
	Thread	For tubing O.D.			
	M5	3	Metal design	193137	GRLA-M5-QS-3-D
		4		193138	GRLA-M5-QS-4-D
		6		193139	GRLA-M5-QS-6-D
	G1/8	3		193142	GRLA-1/8-QS-3-D
		4		193143	GRLA-1/8-QS-4-D
		6		193144	GRLA-1/8-QS-6-D
		8		193145	GRLA-1/8-QS-8-D

Accessories

Ordering data – Sensor brackets					
	For size	Comment	Part no.	Type	PE ¹⁾
	16, 20, 25, 32, 40	For proximity switches SME-/SMT-10	550661	SL-DSM-B	2
	16, 20, 25, 32, 40	For inductive proximity switches SIEN-M5 For inductive proximity switches SIEN-M8	1130882 1132360	SL-DSM-S-M5-B SL-DSM-S-M8-B	2

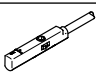
1) Packaging unit

Proximity switches for swivel motion

for size 16, 25, 32, 40 (not suitable for size 20)

Ordering data – Proximity switches for C-slot, magneto-resistive

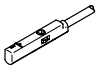
Data sheets → Internet: smt

	Type of mounting	Switching output	Electrical connection, outlet direction of connection	Cable length [m]	Part no.	Type
N/O contact						
	Is clamped to the DSL-B using the sensor bracket	PNP	Cable, 3-wire, in-line	2.5	551373	SMT-10M-PS-24V-E-2.5-L-OE
			Plug M8x1, 3-pin, in-line	0.3	551375	SMT-10M-PS-24V-E-0.3-L-M8D

For size 16 ... 40


Ordering data – Proximity switches for C-slot, magnetic reed

Data sheets → Internet: sme

	Type of mounting	Switching output	Electrical connection, outlet direction of connection	Cable length [m]	Part no.	Type
N/O contact						
	Is clamped to the DSL-B using the sensor bracket	Contacting	Plug M8x1, 3-pin, in-line	0.3	551367	SME-10M-DS-24V-E-0.3-L-M8D
			Cable, 3-wire, in-line	2.5	551365	SME-10M-DS-24V-E-2.5-L-OE
			Cable, 2-wire, in-line	2.5	551369	SME-10M-ZS-24V-E-2.5-L-OE

Ordering data – Proximity switches, inductive

Data sheets → Internet: sien

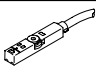
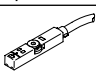
	Thread	Contact	Connection	Part no.	Type
	M5	N/O contact	Cable, 2.5 m	150370	SIEN-M5B-PS-K-L
			Plug	150371	SIEN-M5B-PS-S-L
	M8	N/O contact	Cable, 2.5 m	150386	SIEN-M8B-PS-K-L
			Plug	150387	SIEN-M8B-PS-S-L

Proximity switches for linear motion

For size 16 ... 40

Ordering data – Proximity switches for T-slot, magneto-resistive

Data sheets → Internet: smt

	Type of mounting	Switching output	Electrical connection	Cable length [m]	Part no.	Type
N/O contact						
	Inserted in the slot from above, flush with the cylinder profile, short design	PNP	Cable, 3-wire	2.5	574335	SMT-8M-A-PS-24V-E-2.5-OE
			Plug M8x1, 3-pin	0.3	574334	SMT-8M-A-PS-24V-E-0.3-M8D
			Plug M12x1, 3-pin	0.3	574337	SMT-8M-A-PS-24V-E-0.3-M12
		NPN	Cable, 3-wire	2.5	574338	SMT-8M-A-NS-24V-E-2.5-OE
			Plug M8x1, 3-pin	0.3	574339	SMT-8M-A-NS-24V-E-0.3-M8D
N/C						
	Inserted in the slot from above, flush with the cylinder profile, short design	PNP	Cable, 3-wire	7.5	574340	SMT-8M-A-PO-24V-E-7.5-OE

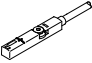
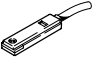
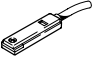
Accessories

Proximity switches for linear motion

For size 16 ... 40



Ordering data – Proximity switches for T-slot, magnetic reed

Data sheets → Internet: sme

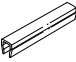
	Type of mounting	Switching output	Electrical connection	Cable length [m]	Part no.	Type
N/O contact						
	Inserted in the slot from above, flush with the cylinder profile	Contacting	Cable, 3-wire	2.5	543862	SME-8M-DS-24V-K-2.5-OE
				5.0	543863	SME-8M-DS-24V-K-5.0-OE
			Cable, 2-wire	2.5	543872	SME-8M-ZS-24V-K-2.5-OE
			Plug M8x1, 3-pin	0.3	543861	SME-8M-DS-24V-K-0.3-M8D
	Inserted in the slot lengthwise, flush with the cylinder profile	Contacting	Cable, 3-wire	2.5	150855	SME-8-K-LED-24
			Plug M8x1, 3-pin	0.3	150857	SME-8-S-LED-24
N/C						
	Inserted in the slot lengthwise, flush with the cylinder profile	Contacting	Cable, 3-wire	7.5	160251	SME-8-O-K-LED-24

Ordering data – Connecting cables

Data sheets → Internet: nebu

	Electrical connection, left	Electrical connection, right	Cable length [m]	Part no.	Type
	Straight socket, M8x1, 3-pin	Cable, open end, 3-wire	2.5	541333	NEBU-M8G3-K-2.5-LE3
			5	541334	NEBU-M8G3-K-5-LE3
	Straight socket, M12x1, 5-pin	Cable, open end, 3-wire	2.5	541363	NEBU-M12G5-K-2.5-LE3
			5	541364	NEBU-M12G5-K-5-LE3
	Angled socket, M8x1, 3-pin	Cable, open end, 3-wire	2.5	541338	NEBU-M8W3-K-2.5-LE3
			5	541341	NEBU-M8W3-K-5-LE3
	Angled socket, M12x1, 5-pin	Cable, open end, 3-wire	2.5	541367	NEBU-M12W5-K-2.5-LE3
			5	541370	NEBU-M12W5-K-5-LE3

Ordering data – Slot covers for T-slot

	For ø	Application	Mounting	Length [m]	Part no.	Type
	16 ... 40	For sensor slots	Insertable	2x 0.5	151680	ABP-5-S
	16, 20	For profile slots	Insertable	2x 0.5	151681	ABP-5
	25 ... 40				151682	ABP-8

Accessories

Adapter kit
HAPB, HAVB

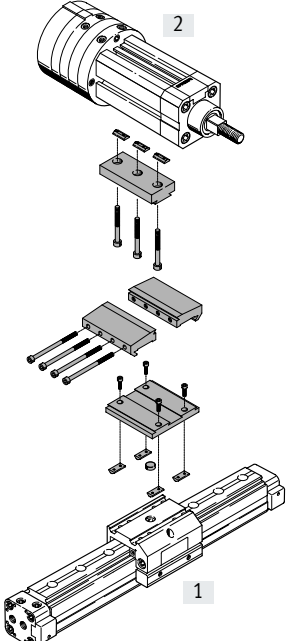
Material:
Wrought aluminium alloy
Free of copper and PTFE
RoHS-compliant

 **Note**

The kit includes the individual mounting interface as well as the necessary mounting material.

Permissible drive/drive combinations with adapter kit

Download CAD data → www.festo.com

Combination	[1] Drive	[2] Drive	Adapter kit			
	Size	Size	CRC ¹⁾	Part no.	Type	
DGPL, DGE/DSL	DG...	DSL	HAPB, HAVB			
	25	16, 20	2	163214	HAPB-15	
					163244	HAVB-8
					163202	HAPB-3
	25	25			163215	HAPB-16
					163244	HAVB-8
					163202	HAPB-3
	32 ²⁾	20			163214	HAPB-15
					163244	HAVB-8
					163203	HAPB-4
	32 ²⁾	25, 32			163215	HAPB-16
			163244	HAVB-8		
			163203	HAPB-4		
40	25, 32		163215	HAPB-16		
			163244	HAVB-5		
			163204	HAPB-5		

1) Corrosion resistance class CRC 2 to Festo standard FN 940070

Moderate corrosion stress. Indoor applications in which condensation can occur. External visible parts with primarily decorative surface requirements which are in direct contact with a normal industrial environment.

2) For DGPL only