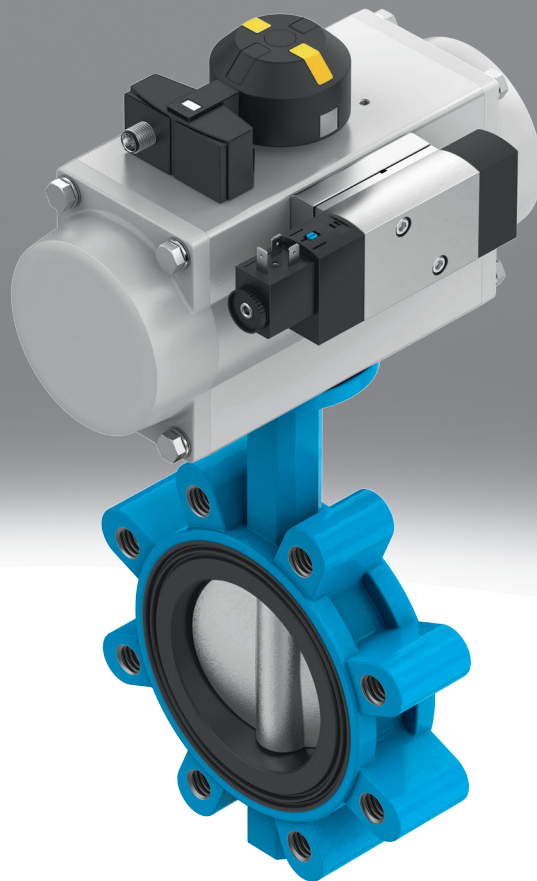


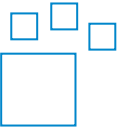
Butterfly valve unit KVZA

FESTO



Characteristics

Ordering data - modular system



Configurable product

This product and all its product options can be ordered online via the configurator.

Actuation

Automatic

The process valve is actuated using a pneumatic quarter turn actuator.

Manual

The process valve is actuated using a hand lever.

Application

Controlled

The required position of the process valve is specified via an analogue positioning signal, e.g. 4 ... 20 mA.

Open/closed

The process valve is moved into both end positions.

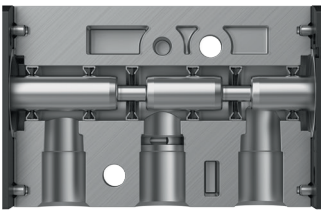
Position indicator

The actual end position of the process valve unit can be transmitted either visually, directly on the process valve or via an electrical signal.

Pilot valve

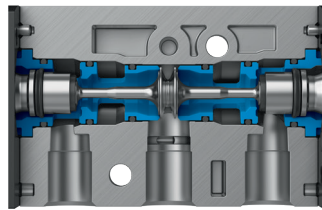
The pneumatic pilot valve is mounted directly on the quarter turn actuator via the NAMUR interface.

Standard version



A pneumatic pilot valve, with the design principle of a piston slide, is mounted directly on the quarter turn actuator via the NAMUR interface. The piston slide design is the first choice for all standard applications. The technology enables overlap-free switching and, compared to the poppet valve, has a greater flow rate with the same connection size.

Poppet valve version



A pneumatic pilot valve, with the design principle of a poppet valve, is mounted directly on the quarter turn actuator via the NAMUR interface. The advantages of the poppet valve design come into their own when the demands on the application increase. They include greater tolerance against "dirty" compressed air, reduced leakages and fewer dynamic seals, which has an impact on service life.

Flap valve type

Wafer



Design with centring holes for installation between two pipe flanges, extremely lightweight housing.

Lug



Design with threaded flange holes for installation between two pipe flanges or at the end of a pipeline, one-sided disconnection possible.

Nominal pressure of the connection standard

Select a medium pressure that is greater or equal to the medium pressure actually available because this directly affects the sizing of the actuator to be used.

Characteristics

Shut-off element material

Ductile cast iron EN-GJS-400-15

Cast iron with nodular graphite and polyamide coating. It is used to refine and protect metallic surfaces, is highly resistant to wear and has excellent insulation properties.

Stainless steel 1.4408

Suitable for extracting almost all organic fluids, 50% caustic soda up to 90°C, cathodic dip coating, pure phosphoric acid, dry chlorine, liquid sulphur, PSA and many other media.

Stainless steel 1.4408, PFA coated

The perfluoroalkoxy alkane coating is resistant to aggressive organic and inorganic chemicals as well as solvents across a wide temperature range.

Sealing material

EPDM

Temperature range -20 °C ... 95 °C

Resistant to acids and alkalis, water, hot water and vapour. Not resistant to oil and greases.

PTFE/silicone

Excellent chemical resistance, electrical properties, great resistance to high and low temperatures, and exceptional adhesion and flame resistance, with silicone base layer for standard applications.

FPM

Temperature range -15 °C ... 210 °C, very good resistance to high temperatures, light, weathering, hydraulic fluids, hydrocarbons, benzene solvents, acids, bases, oxygen

Epichlorohydrin (ECO)

Temperature range -40 °C ... 90 °C, resistant to alkalis and fuels, moderately resistant to oils

NBR for abrasive mediums

Temperature range -10 °C ... 100 °C, designed to withstand the most abrasive products, excellent resistance to oils and greases

EPDM white (FDA)

Temperature range -20 °C ... 95 °C, for use with weak mineral acids and bases, air, water, ketones and esters, especially for food applications

EPDM KTW

Temperature range -20 °C - 95 °C, with drinking water approvals from ACS, DVGW, WRAS, NSF-61 and according to EN 681-1

SA (silicone transparent)

Temperature range -55 °C ... 200 °C, specifically for food applications

NBR

Temperature range -10 °C ... 100 °C

Can be used for oils, greases, fuel, oil gas, CO₂, CO and H₂.

EPDM HT

Temperature range -20 °C ... 130 °C, for use with weak mineral acids and bases, air, water, ketones and esters

SBR for abrasive mediums

Temperature range -10 °C ... 70 °C, especially for resistance to chemically inert powdery products such as flour, cement, plaster, concrete mortar, icing sugar, etc.

EPDM, blue (1935/2004 & FDA)

Temperature range 0 °C ... 95 °C, for use with weak mineral acids and bases, air, water, ketones and esters, especially for food applications VO EG 1935/2004 and FDA

NBR, blue (1935/2004 & FDA)

Temperature range 10 °C ... 100 °C, especially for food applications VO EG 1935/2004 and FDA

NBR, white (FDA)

Temperature range -10 °C ... 100 °C, specifically for food applications

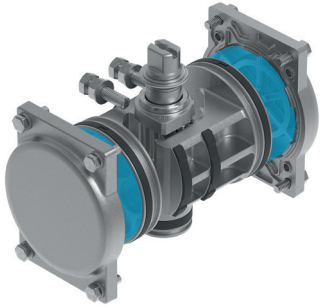
Silicone

Temperature range -55 °C ... 200 °C, very resistant material for large temperature differences

Characteristics

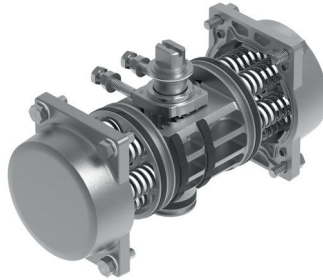
Mode of operation

Double-acting



The double-acting quarter turn actuator requires compressed air for each direction of movement. In this mode of operation, the torque for opening or closing the process valve is generated purely via the compressed air.

Single-acting



With the single-acting quarter turn actuator, the incoming compressed air moves the pistons in one direction. This generates the torque of the actuator. The springs built into the actuator are pre-tensioned at the same time. This spring force generates the torque in the opposite direction of rotation when the pressure chambers of the actuator are exhausted. This causes the process valve to move to the required initial position.

Safety function

N/O contact

The valve is closed if the system fails. Note: The choice of operating mode (double-acting or single-acting) has a decisive influence on when the safety function is carried out.

“Double-acting” operating mode: this function is carried out by a 5/2-way single-solenoid pilot valve. The valve is only closed if the operating voltage fails, but not if the compressed air supply fails.

- “Single-acting” operating mode: this function is carried out by a 3/2-way single solenoid pilot valve. If the operating voltage or compressed air supply fails, the valve is closed by the spring force of the actuator.

Hold position with 5/3C pilot valve

The valve is held in the current position if the operating voltage supply or compressed air fails. This function is only possible with the “double-acting” operating mode and is carried out by a 5/3-way pilot valve with closed intermediate position.

Opening

The valve is opened if the system fails. Note: The choice of operating mode (double-acting or single-acting) has a decisive influence on when the safety function is carried out.

“Double-acting” operating mode: this function is carried out by a 5/2-way single solenoid pilot valve. The valve is only opened if the operating voltage fails, but not if the compressed air supply fails.

- “Single-acting” operating mode: this function is carried out by a 3/2-way single solenoid pilot valve. If the operating voltage or compressed air supply fails, the valve is opened by the spring force of the actuator.

Hold position with 5/2B pilot valve

The valve is held in the current position if the operating voltage supply fails. This function is only possible with the “double-acting” operation mode and is carried out by a 5/2-way double solenoid pilot valve which remains in the position last occupied before the fault occurred when pressure is applied to one side of the actuator. If the compressed air supply fails, the valve cannot be guaranteed to remain in the current position.

Operating pressure

The operating pressure available for actuating the quarter turn actuator.

Safety factor

The specification of a safety factor is recommended when configuring a quarter turn actuator because this increases the available torque reserve.

Pipeline medium liquid 1.35

- Pipeline medium sticky/viscous 1.75
- Pipeline medium gaseous 1.5

These values are reference values and must be reviewed according to the application.

Characteristics

Closing torque factor

Note: Specification of the closing torque factor is optional.

The torque required to operate the process valve is greatest at the start of the movement (breakaway torque). Under certain conditions, the closing torque of the process valve can be smaller than the breakaway torque. If this difference is known, it can be taken into account by specifying a closing torque factor.

High corrosion resistance

Yes

Higher corrosion resistance thanks to epoxy coating of the pneumatic quarter turn actuator. The actuator shaft is stainless steel.

Sensor principle, position indicator

This selection determines the measuring principle for the position indicator. Inductive sensors operate contactlessly. Magnetic reed and changeover switches operate with contacts.

Floating contact, changeover contact

Operating voltage range 0 ... 30 V DC
 Operating voltage range 0 ... 250 V AC
 Max. output current 3000 mA

Inductive

Max. output current 100 mA
 Operating voltage range 5 ... 60 V DC

Magnetic reed

Operating voltage range 0 ... 175 V DC
 Max. output current 250 mA
 Operating voltage range 0 ... 120 V AC

Electrical output type, position indicator

By selecting the electrical output type, you determine the output type of the position indicator.

Datasheet

General technical data

Design	–
Mode of operation	–
Size of valve actuator	–
Flange hole pattern	–
Swivel angle	–
Product weight	1 ... 140 kg

Operating and environmental conditions

Ambient temperature	–
Operating pressure	–
Operating pressure	–
Operating pressure	–
LABS (PWIS) conformity	VDMA24364 zone III
Note on materials	RoHS-compliant

ATEX VSNC

Short type code	VSNC
ATEX category gas	II 2G
Explosion ignition protection type for gas	Ex ia IIC T6 Ga
ATEX category dust	II 2D
Explosion ignition protection type for dust	Ex t IIIC T80°C Db
Explosion ambient temperature	-40°C ≤ Ta ≤ +50°C


ATEX SRBC

Short type code	SRBC
ATEX category gas	II 1G
Explosion ignition protection type for gas	Ex ia IIC T6...T1 Ga
ATEX category dust	II 1D
Explosion ignition protection type for dust	Ex i IIIC Txx°C Da
Explosion ambient temperature	See ATEX certificate, See IECEx certificate

ATEX SRBG

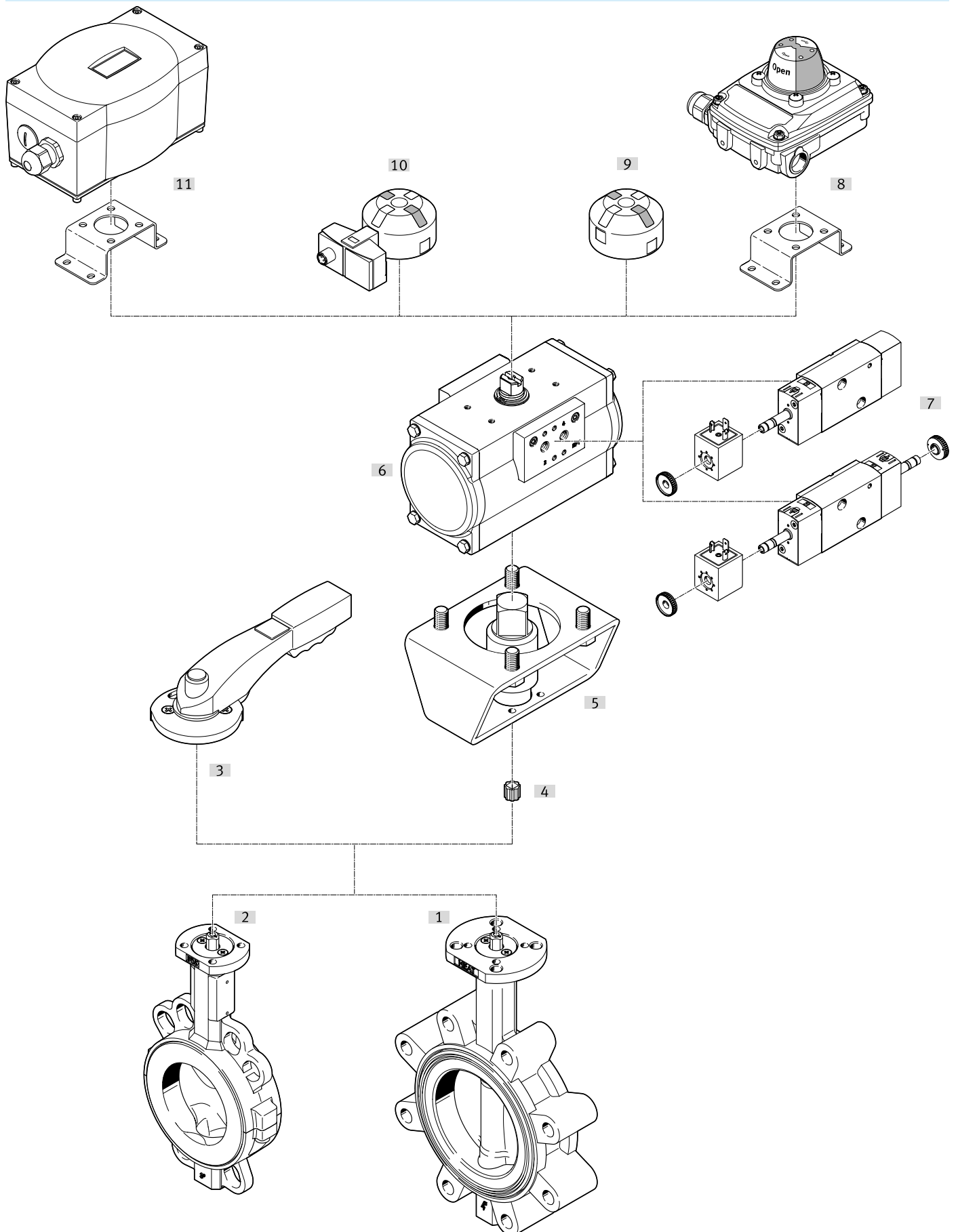
Short type code	SRBG
ATEX category gas	II 1G
Explosion ignition protection type for gas	Ex ia IIC T6...T1 Ga
ATEX category dust	II 1D
Explosion ignition protection type for dust	Ex ia IIIC T200 135°C Da
Explosion ambient temperature	See ATEX certificate, See IECEx certificate

Ordering data

Ordering information – Modular product system			
	Description	Part no.	Type
	Controlled operation with quarter turn actuator and valve positioner, Butterfly valve type: wafer or lug, Manually actuated with hand lever, Nominal width DN25 ... DN200, Connection standard DIN EN 1092-1 or ANSI CLASS 150	8073655	KVZA-

Peripherals

Peripherals overview



Peripherals

Accessories		→ Link
Type/order code	Description	
[1] Butterfly valves VZAV	In wafer or lug design, in nominal widths DN25 ... DN300, with connection standards DIN EN 1092-1 or ASME B 16.5 Class 150	vzav
[2] Butterfly valves VZAF	In wafer or lug design, in nominal widths DN25 ... DN300, with connection standards DIN EN 1092-1 or ASME B 16.5 Class 150	vzaf
[3] Hand lever VAOH	For manual actuation of butterfly valves, with lock, detenting in 10 positions	vaoh
[4] Reducing sleeves DARQ-R...	For square adjustment of the ball valves	darq
[5] Mounting kits DARQ-KV-...	For connecting quarter turn actuators and ball valves	darq
[6] Quarter turn actuators DFPD	In single-acting or double-acting design, has a gear rack-and-pinion combination with a constant torque curve over the entire swivel range, port pattern according to VDI/VDE 3845	dfpd
[7] Solenoid valves VSNC	Pilot valves with solenoid coils VACF for single-acting and double-acting quarter turn actuators with port pattern according to VDI/VDE 3845, can be converted from 3/2 to 5/2 directional control valve simply by turning the seal	vsnc
[8] Limit switch attachments SRBC	For electrical feedback and control of the position of process valves, with mounting adapter, sturdy and corrosion-resistant design, highly visible 3D position indicator for quickly detecting the current position of the quarter turn actuator	srbc
[9] Position indicators SASF	The compact solution, the direct mounting really minimises the space requirement, with four fixed actuating vanes offset by 90°	sASF
[10] Sensor boxes SRBG	For electrical feedback and control of the position of process valves, is mounted without additional accessories on quarter turn actuators with port pattern according to VDI/VDE 3845, with M12 plug or terminal strip	srbg
[11] Positioner CMSX	Based on the PID control algorithm, used for position control of single-acting and double-acting pneumatic quarter turn actuators with mechanical interface according to VDI/VDE 3845	cmsx