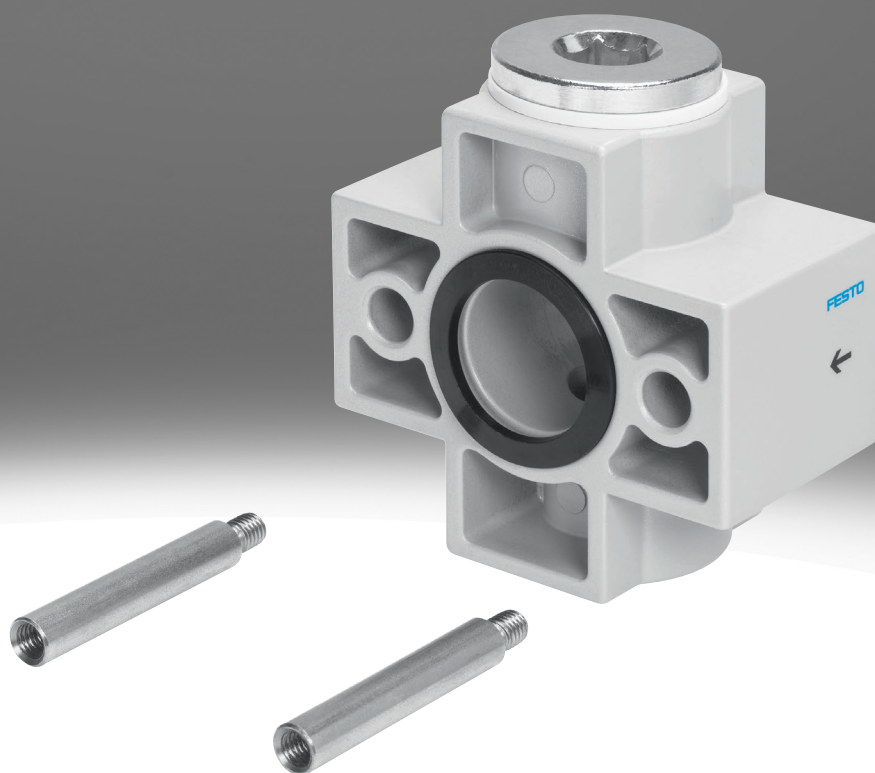


## Distributor block FRZ

**FESTO**



## Characteristics

### At a glance

Slim air distributor.

- Outlet at top and bottom
- Can be used as an intermediate distributor for varying air qualities

### Version

Metal design

### Size

Sizes Mini, Midi, Maxi

- Grid dimension: 40 mm; 55 mm; 66 mm

## Type code

001	Series
FRZ	Distributor block

002	Version
D	D series, metal

003	Size
MINI	Grid dimension 40 mm (without connecting plates)
MIDI	Grid dimension 55 mm (without connecting plates)
MAXI	Grid dimension 66 mm (without connecting plates)

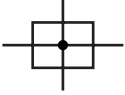
004	Thread type
NPT	NPT thread

## Datasheet

### General technical data

Mounting position	optional
Corrosion resistance class CRC	2 - Moderate corrosion stress
LABS (PWIS) conformity	VDMA24364-B1/B2-L

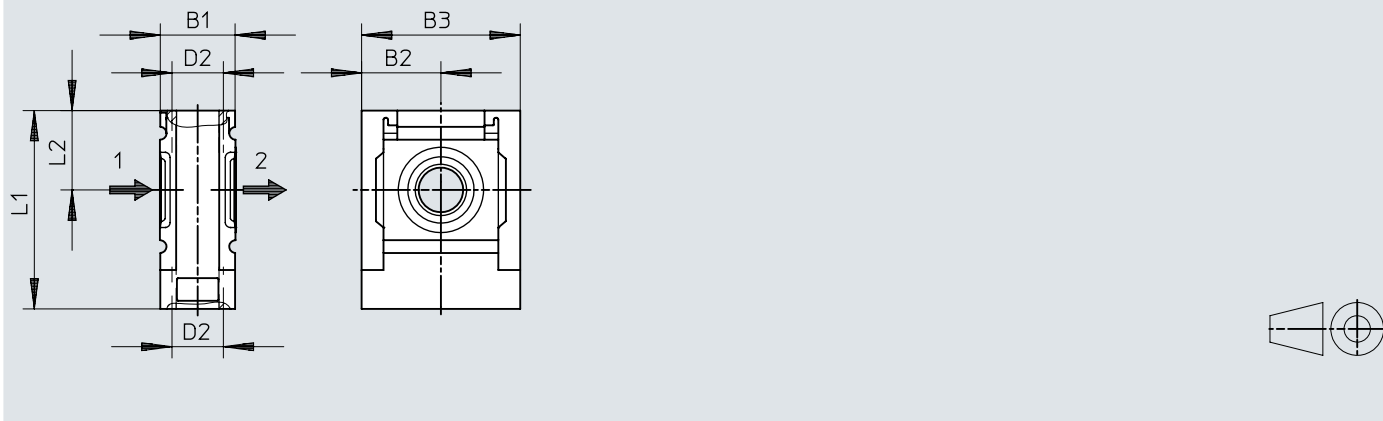
### Function



## Dimensions

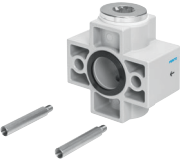
### Dimensions – Distributor blocks

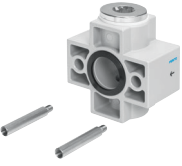
Download CAD data [www.festo.com](http://www.festo.com)



	B1	B2	B3	D2	L1	L2
MS4-FRM-FRZ	20	21	42	G1/4	52,5	21

## Ordering data

Distributor block			
	Size	Part no.	Type
	Grid dimension 40 mm (without connecting plates)	<b>162786</b>	<b>FRZ-D-MINI</b>
	Grid dimension 55 mm (without connecting plates)	<b>159592</b>	<b>FRZ-D-MIDI</b>
	Grid dimension 66 mm (without connecting plates)	<b>162787</b>	<b>FRZ-D-MAXI</b>

Distributor block (NPT – not available in all markets)			
	Size	Part no.	Type
	Grid dimension 40 mm (without connecting plates)	<b>178233</b>	<b>FRZ-D-MINI-NPT</b>
	Grid dimension 55 mm (without connecting plates)	<b>178234</b>	<b>FRZ-D-MIDI-NPT</b>
	Grid dimension 66 mm (without connecting plates)	<b>178235</b>	<b>FRZ-D-MAXI-NPT</b>