

Solenoid valves VZWF, force pilot operated, NPT



Solenoid valves VZWF, force pilot operated, NPT



Key features and overview

Function

Normally closed solenoid valve with diaphragm and forced lifting. When the solenoid is energised, the differential pressure from the secondary side of the diaphragm is reduced via the servo hole. The effective differential pressure lifts

the diaphragm away from the valve seat. If there is no differential pressure, the diaphragm is lifted directly by the solenoid. The valve opens and closes without a differential pressure between the inlet and outlet.

General

-  - Connecting thread
1/4 NPT ... 2 NPT
-  - Flow rate Kv
1.8 ... 28 m³/h

Application

- Suitable for closed applications such as cooling or filling systems
- Vacuum
- Liquid gas
- Bottling systems

Design

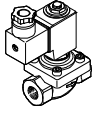
- Diaphragm valves
- Forced lifting of the valve diaphragm
- 2/2-way valve, normally closed

Advantages

- Choice of sealing materials for different fields of applications
- Medium pressure 0 bar or higher

-  - Note

The valves are suitable for vacuum with Pabs > 100 mbar. Please ensure the direction of flow corresponds to the direction of the arrow.

| Version | Type | Process valve connection | Nominal size (DN) | Process valve nominal pressure (PN) | → Page/Internet |
|---|----------|--------------------------|-------------------|-------------------------------------|-----------------|
|  | VZWF-... | 1/4 NPT | 13.5 | 40 | 4 |
| | | 3/8 NPT | 13.5 | | |
| | | 1/2 NPT | 13.5 | | |
| | | 3/4 NPT | 27.5 | | |
| | | 1 NPT | 27.5 | | |
| | VZWF-... | 1 1/4 NPT | 40 | 40 | 8 |
| | | 1 1/2 NPT | 40 | | |
| | | 2 NPT | 50 | | |

Solenoid valves VZWF, force pilot operated, NPT

Type codes

VZWF - B - L - M22C - N14 - 135 - V - 2AP4 - 10 - R1

Type

| | |
|------|--------------------------------------|
| VZWF | Solenoid valve, force pilot operated |
|------|--------------------------------------|

Product version

| | |
|---|--------------------|
| - | Standard |
| B | Optimised function |

Type of directional control valve

| | |
|---|---------------|
| L | In-line valve |
|---|---------------|

Valve function

| | |
|------|--------------------------------|
| M22C | 2/2-way valve, normally closed |
|------|--------------------------------|

Process valve connection

| | |
|------|-----------|
| N14 | 1/4 NPT |
| N38 | 3/8 NPT |
| N12 | 1/2 NPT |
| N34 | 3/4 NPT |
| N1 | 1 NPT |
| N114 | 1 1/4 NPT |
| N112 | 1 1/2 NPT |
| N2 | 2 NPT |

Nominal size (DN)

| | |
|-----|---------|
| 135 | 13.5 mm |
| 275 | 27.5 mm |
| 400 | 40 mm |
| 500 | 50 mm |

Sealing material

| | |
|---|----------------|
| - | Standard (NBR) |
| E | EPDM |
| V | FPM |

Nominal operating voltage

| | |
|----|-------------------|
| 1 | 24 V DC |
| 2A | 110 V AC/50-60 Hz |
| 3A | 230 V AC/50-60 Hz |

Electrical connection

| | |
|----|--------------------|
| P4 | Plug socket, 3-pin |
|----|--------------------|

Medium pressure

| | |
|----|-------------|
| 6 | Max. 6 bar |
| 10 | Max. 10 bar |

Corrosion protection

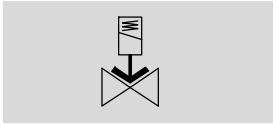
| | |
|----|------------------|
| - | Standard (brass) |
| R1 | Stainless steel |


Solenoid valves VZWF, force pilot operated, NPT


FESTO

Technical data – Connecting thread 1/4 NPT ... 1 NPT

Function



-  - Flow rate Kv
1.8 ... 11 m³/h

-  - Connecting thread
1/4 NPT ... 1 NPT



| General technical data | | | | | |
|--------------------------|---------------------------------------|---------|---------|---------|-------|
| Process valve connection | 1/4 NPT | 3/8 NPT | 1/2 NPT | 3/4 NPT | 1 NPT |
| Nominal size (DN) | 13.5 | 13.5 | 13.5 | 27.5 | 27.5 |
| Valve function | 2/2-way, single solenoid, closed | | | | |
| Design | Diaphragm valve, force pilot operated | | | | |
| Type of mounting | In-line installation | | | | |
| Actuation type | Electric | | | | |
| Manual override | None | | | | |
| Mounting position | Solenoid vertical | | | | |
| Sealing principle | Soft | | | | |
| Direction of flow | Non-reversible | | | | |
| Max. viscosity | [mm ² /s] | 22 | | | |
| Protection class | IP 65 | | | | |
| Product weight | [g] | 1000 | | 1500 | |

Solenoid valves VZWF, force pilot operated, NPT

Technical data – Connecting thread 1/4 NPT ... 1 NPT

| Operating and environmental conditions | | | | | | |
|---|---------------------|---|---------|---------|---------|-------|
| Process valve connection | | 1/4 NPT | 3/8 NPT | 1/2 NPT | 3/4 NPT | 1 NPT |
| Switching time on | [ms] | 130 | | | 275 | |
| Switching time off | [ms] | 180 | | | 290 | |
| Standard nominal flow rate | [l/min] | 1920 | 2350 | 2660 | 8020 | 11750 |
| Flow rate | [m ³ /h] | 1.8 | 2.2 | 2.5 | 7.5 | 11 |
| Process valve nominal pressure (PN) | | 40 | | | | |
| Differential pressure | [bar] | 0 | | | | |
| Medium pressure ²⁾ | [bar] | 0 ... 10 | | | 0 ... 6 | |
| Medium | | Compressed air in accordance with ISO 8573-1:2010 [7:-:-] | | | | |
| | | Inert gases | | | | |
| | | Mineral oil | | | | |
| | | Water | | | | |
| | | Neutral liquids | | | | |
| | | Further media upon request | | | | |
| Ambient temperature | [°C] | -10 ... +35 °C | | | | |
| Temperature of medium | [°C] | -10 ... +80 °C | | | | |
| Leak rate to EN 12266-1 | | A | | | | |
| Corrosion resistance class CRC ¹⁾ Stainless steel | | 3 | | | | |

- 1) Corrosion resistance class CRC 3 to Festo standard FN 940070
High corrosion stress. Outdoor exposure under moderate corrosive conditions. External visible parts with primarily functional requirements for the surface and which are in direct contact with a normal industrial environment.
- 2) The valves are suitable for vacuum with Pabs > 100 mbar. Please ensure the direction of flow corresponds to the direction of the arrow.

| Materials | | |
|-------------------|---|-----------------|
| Solenoid valves | | Material number |
| Housing | Brass casting | CW617N |
| | Stainless steel casting | 1.4581 |
| Screws | High-alloy stainless steel | 1.4301 |
| Seals | NBR | - |
| | FPM | - |
| | EPDM | - |
| Note on materials | Contains PWIS (paint-wetting impairment substances) | |
| | RoHS-compliant | |

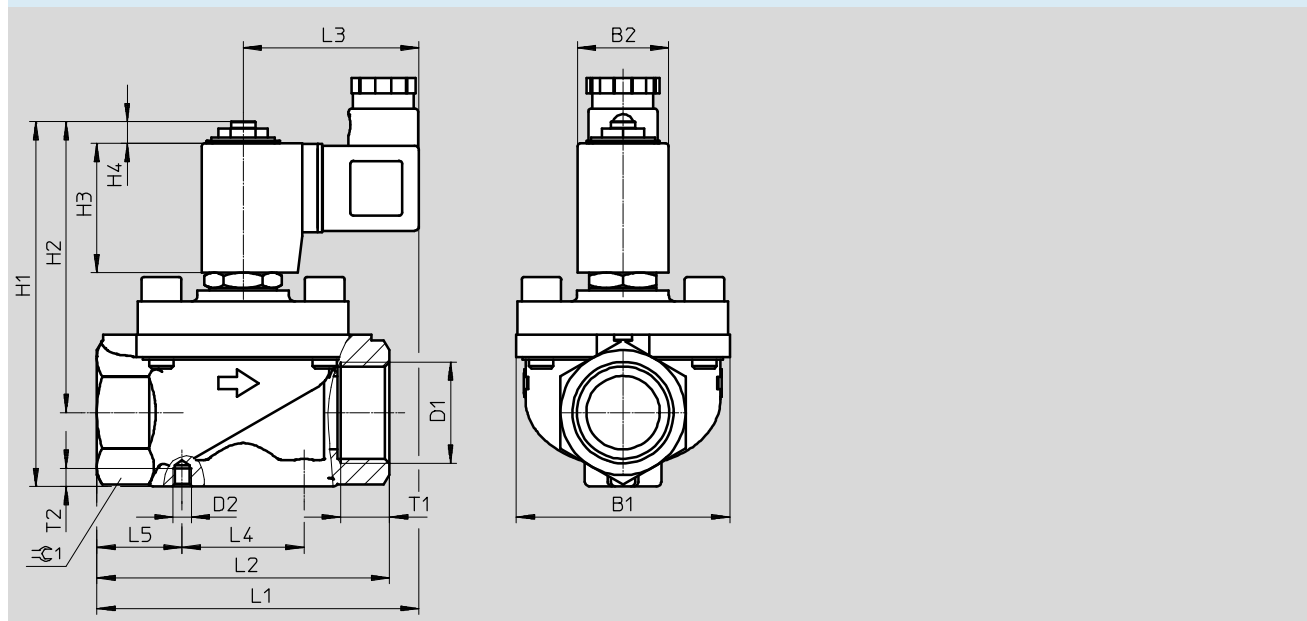
Solenoid valves VZWF, force pilot operated, NPT



Technical data – Connecting thread 1/4 NPT ... 1 NPT

| Electrical data | | | VZWF- ... 1 | VZWF- ... 2A | VZWF- ... 3A |
|--|------------------------|------|---|--------------|--------------|
| Electrical connection | | | Plug to EN 175301-803 type A, square design | | |
| CE mark as per EU Pressure Equipment Directive | | | – | Yes | Yes |
| Coil characteristics | Direct current DC | [V] | 24 | – | – |
| | Alternating current AC | [V] | – | 110 | 230 |
| | | [W] | 11 | – | – |
| | Switching power | [VA] | – | 19 | 18 |
| | Holding power | [VA] | – | 16 | 15 |
| Permissible voltage fluctuations | | | [Hz] | – | 50, 60 |
| | | | [%] | ±10 | |

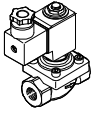
Dimensions Download CAD data → www.festo.com



| | B1 | B2 | D1 | D2 | H1 | H2 | H3 | H4 | L1 | L2 | L3 | L4 | L5 | T1 | T2 | ⊕ |
|------------------------------|----|----|---------|----|-----|----|----|----|-----|----|----|----|----|----|----|----|
| VZWF-B-L-M22C-N14-135-... | 48 | 30 | 1/4 NPT | M4 | 101 | 86 | 42 | 7 | 92 | 67 | 58 | 25 | 21 | 12 | 4 | 27 |
| VZWF-B-L-M22C-N14-135-...-R1 | 44 | 30 | 1/4 NPT | M4 | 101 | 86 | 42 | 7 | 94 | 67 | 58 | 25 | 21 | 12 | 4 | 27 |
| VZWF-B-L-M22C-N38-135-... | 48 | 30 | 3/8 NPT | M4 | 101 | 86 | 42 | 7 | 92 | 67 | 58 | 25 | 21 | 12 | 4 | 27 |
| VZWF-B-L-M22C-N38-135-...-R1 | 44 | 30 | 3/8 NPT | M4 | 101 | 86 | 42 | 7 | 94 | 67 | 58 | 25 | 21 | 12 | 4 | 27 |
| VZWF-B-L-M22C-N12-135-... | 48 | 30 | 1/2 NPT | M4 | 101 | 86 | 42 | 7 | 92 | 67 | 58 | 25 | 21 | 12 | 4 | 27 |
| VZWF-B-L-M22C-N12-135-...-R1 | 44 | 30 | 1/2 NPT | M4 | 101 | 86 | 42 | 7 | 94 | 67 | 58 | 25 | 21 | 12 | 4 | 27 |
| VZWF-B-L-M22C-N34-275-... | 70 | 30 | 3/4 NPT | M6 | 120 | 96 | 42 | 7 | 106 | 96 | 58 | 40 | 28 | 16 | 6 | 41 |
| VZWF-B-L-M22C-N1-275-... | 70 | 30 | 1 NPT | M6 | 120 | 96 | 42 | 7 | 106 | 96 | 58 | 40 | 28 | 16 | 6 | 41 |

Solenoid valves VZWF, force pilot operated, NPT

Technical data – Connecting thread 1/4 NPT ... 1 NPT

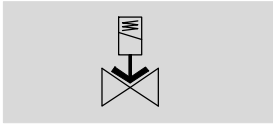
| Ordering data – Solenoid valve VZWF | | | | | |
|---|--------------------------|-------------------------------|---------------------------------|----------------------------------|------------------------------------|
| | Process valve connection | Brass housing | | Stainless steel casting housing | |
| | | Part No. | Type | Part No. | Type |
|  | 1/4 NPT | 1492174 | VZWF-B-L-M22C-N14-135-E-1P4-10 | 1492166 | VZWF-B-L-M22C-N14-135-1P4-10-R1 |
| | | 1492158 | VZWF-B-L-M22C-N14-135-1P4-10 | 1492182 | VZWF-B-L-M22C-N14-135-E-1P4-10-R1 |
| | | 1492254 | VZWF-B-L-M22C-N14-135-2AP4-10 | 1492390 | VZWF-B-L-M22C-N14-135-V-3AP4-10-R1 |
| | | 1492350 | VZWF-B-L-M22C-N14-135-3AP4-10 | 1492198 | VZWF-B-L-M22C-N14-135-V-1P4-10-R1 |
| | | 1492270 | VZWF-B-L-M22C-N14-135-E-2AP4-10 | 1492262 | VZWF-B-L-M22C-N14-135-2AP4-10-R1 |
| | | 1492286 | VZWF-B-L-M22C-N14-135-V-2AP4-10 | 1492278 | VZWF-B-L-M22C-N14-135-E-2AP4-10-R1 |
| | | 1492366 | VZWF-B-L-M22C-N14-135-E-3AP4-10 | 1492294 | VZWF-B-L-M22C-N14-135-V-2AP4-10-R1 |
| | | 1492190 | VZWF-B-L-M22C-N14-135-V-1P4-10 | 1492358 | VZWF-B-L-M22C-N14-135-3AP4-10-R1 |
| | | 1492382 | VZWF-B-L-M22C-N14-135-V-3AP4-10 | 1492374 | VZWF-B-L-M22C-N14-135-E-3AP4-10-R1 |
| | 3/8 NPT | 1492175 | VZWF-B-L-M22C-N38-135-E-1P4-10 | 1492167 | VZWF-B-L-M22C-N38-135-1P4-10-R1 |
| | | 1492159 | VZWF-B-L-M22C-N38-135-1P4-10 | 1492183 | VZWF-B-L-M22C-N38-135-E-1P4-10-R1 |
| | | 1492255 | VZWF-B-L-M22C-N38-135-2AP4-10 | 1492391 | VZWF-B-L-M22C-N38-135-V-3AP4-10-R1 |
| | | 1492351 | VZWF-B-L-M22C-N38-135-3AP4-10 | 1492199 | VZWF-B-L-M22C-N38-135-V-1P4-10-R1 |
| | | 1492191 | VZWF-B-L-M22C-N38-135-V-1P4-10 | 1492263 | VZWF-B-L-M22C-N38-135-2AP4-10-R1 |
| | | 1492271 | VZWF-B-L-M22C-N38-135-E-2AP4-10 | 1492279 | VZWF-B-L-M22C-N38-135-E-2AP4-10-R1 |
| | | 1492287 | VZWF-B-L-M22C-N38-135-V-2AP4-10 | 1492295 | VZWF-B-L-M22C-N38-135-V-2AP4-10-R1 |
| | | 1492367 | VZWF-B-L-M22C-N38-135-E-3AP4-10 | 1492359 | VZWF-B-L-M22C-N38-135-3AP4-10-R1 |
| | | 1492383 | VZWF-B-L-M22C-N38-135-V-3AP4-10 | 1492375 | VZWF-B-L-M22C-N38-135-E-3AP4-10-R1 |
| | 1/2 NPT | 1492176 | VZWF-B-L-M22C-N12-135-E-1P4-10 | 1492168 | VZWF-B-L-M22C-N12-135-1P4-10-R1 |
| | | 1492256 | VZWF-B-L-M22C-N12-135-2AP4-10 | 1492184 | VZWF-B-L-M22C-N12-135-E-1P4-10-R1 |
| | | 1492352 | VZWF-B-L-M22C-N12-135-3AP4-10 | 1492392 | VZWF-B-L-M22C-N12-135-V-3AP4-10-R1 |
| | | 1492192 | VZWF-B-L-M22C-N12-135-V-1P4-10 | 1492200 | VZWF-B-L-M22C-N12-135-V-1P4-10-R1 |
| | | 1492272 | VZWF-B-L-M22C-N12-135-E-2AP4-10 | 1492264 | VZWF-B-L-M22C-N12-135-2AP4-10-R1 |
| | | 1492288 | VZWF-B-L-M22C-N12-135-V-2AP4-10 | 1492280 | VZWF-B-L-M22C-N12-135-E-2AP4-10-R1 |
| | | 1492368 | VZWF-B-L-M22C-N12-135-E-3AP4-10 | 1492296 | VZWF-B-L-M22C-N12-135-V-2AP4-10-R1 |
| | | 1492384 | VZWF-B-L-M22C-N12-135-V-3AP4-10 | 1492360 | VZWF-B-L-M22C-N12-135-3AP4-10-R1 |
| | | 1492160 | VZWF-B-L-M22C-N12-135-1P4-10 | 1492376 | VZWF-B-L-M22C-N12-135-E-3AP4-10-R1 |
| | 3/4 NPT | 1492385 | VZWF-B-L-M22C-N34-275-V-3AP4-6 | 1492169 | VZWF-B-L-M22C-N34-275-1P4-6-R1 |
| | | 1492161 | VZWF-B-L-M22C-N34-275-1P4-6 | 1492185 | VZWF-B-L-M22C-N34-275-E-1P4-6-R1 |
| | | 1492257 | VZWF-B-L-M22C-N34-275-2AP4-6 | 1492393 | VZWF-B-L-M22C-N34-275-V-3AP4-6-R1 |
| | | 1492353 | VZWF-B-L-M22C-N34-275-3AP4-6 | 1492201 | VZWF-B-L-M22C-N34-275-V-1P4-6-R1 |
| | | 1492177 | VZWF-B-L-M22C-N34-275-E-1P4-6 | 1492265 | VZWF-B-L-M22C-N34-275-2AP4-6-R1 |
| | | 1492193 | VZWF-B-L-M22C-N34-275-V-1P4-6 | 1492281 | VZWF-B-L-M22C-N34-275-E-2AP4-6-R1 |
| | | 1492273 | VZWF-B-L-M22C-N34-275-E-2AP4-6 | 1492297 | VZWF-B-L-M22C-N34-275-V-2AP4-6-R1 |
| | | 1492289 | VZWF-B-L-M22C-N34-275-V-2AP4-6 | 1492361 | VZWF-B-L-M22C-N34-275-3AP4-6-R1 |
| | | 1492369 | VZWF-B-L-M22C-N34-275-E-3AP4-6 | 1492377 | VZWF-B-L-M22C-N34-275-E-3AP4-6-R1 |
| 1 NPT | 1492162 | VZWF-B-L-M22C-N1-275-1P4-6 | 1492170 | VZWF-B-L-M22C-N1-275-1P4-6-R1 | |
| | 1492258 | VZWF-B-L-M22C-N1-275-2AP4-6 | 1492186 | VZWF-B-L-M22C-N1-275-E-1P4-6-R1 | |
| | 1492354 | VZWF-B-L-M22C-N1-275-3AP4-6 | 1492394 | VZWF-B-L-M22C-N1-275-V-3AP4-6-R1 | |
| | 1492178 | VZWF-B-L-M22C-N1-275-E-1P4-6 | 1492202 | VZWF-B-L-M22C-N1-275-V-1P4-6-R1 | |
| | 1492274 | VZWF-B-L-M22C-N1-275-E-2AP4-6 | 1492266 | VZWF-B-L-M22C-N1-275-2AP4-6-R1 | |
| | 1492370 | VZWF-B-L-M22C-N1-275-E-3AP4-6 | 1492282 | VZWF-B-L-M22C-N1-275-E-2AP4-6-R1 | |
| | 1492194 | VZWF-B-L-M22C-N1-275-V-1P4-6 | 1492298 | VZWF-B-L-M22C-N1-275-V-2AP4-6-R1 | |
| | 1492290 | VZWF-B-L-M22C-N1-275-V-2AP4-6 | 1492362 | VZWF-B-L-M22C-N1-275-3AP4-6-R1 | |
| | 1492386 | VZWF-B-L-M22C-N1-275-V-3AP4-6 | 1492378 | VZWF-B-L-M22C-N1-275-E-3AP4-6-R1 | |


Solenoid valves VZWF, force pilot operated, NPT


FESTO

Technical data – Connecting thread 1 1/4 NPT ... 2 NPT

Function



-  - Flow rate Kv
20 ... 28 m³/h

-  - Connecting thread
1 1/4 NPT ... 2 NPT



| General technical data | | | |
|-------------------------------------|---------------------------------------|-----------|-------|
| Process valve connection | 1 1/4 NPT | 1 1/2 NPT | 2 NPT |
| Nominal size (DN) | 40 | 40 | 50 |
| Valve function | 2/2-way, single solenoid, closed | | |
| Design | Diaphragm valve, force pilot operated | | |
| Type of mounting | In-line installation | | |
| Actuation type | Electric | | |
| Manual override | None | | |
| Mounting position | Solenoid vertical | | |
| Sealing principle | Soft | | |
| Direction of flow | Non-reversible | | |
| Max. viscosity [mm ² /s] | 22 | | |
| Protection class | IP 65 | | |
| Product weight [g] | 4500 | | 6500 |

Solenoid valves VZWF, force pilot operated, NPT

Technical data – Connecting thread 1 1/4 NPT ... 2 NPT

| Operating and environmental conditions | | | | |
|--|---------------------|---|-----------|---------|
| Process valve connection | | 1 1/4 NPT | 1 1/2 NPT | 2 NPT |
| Switching time on | [ms] | 620 | | 1220 |
| Switching time off | [ms] | 1140 | | 2140 |
| Standard nominal flow rate | [l/min] | 21370 | 23500 | 29900 |
| Flow rate | [m ³ /h] | 20 | 22.5 | 28 |
| Process valve nominal pressure (PN) | | 40 | | |
| Differential pressure | [bar] | 0 | | |
| Medium pressure ²⁾ | [bar] | 0 ... 10 | | 0 ... 6 |
| Medium | | Compressed air in accordance with ISO 8573-1:2010 [7:-:-] | | |
| | | Inert gases | | |
| | | Mineral oil | | |
| | | Water | | |
| | | Neutral liquids | | |
| | | Further media upon request | | |
| Ambient temperature | [°C] | -10 ... +35 °C | | |
| Temperature of medium | [°C] | -10 ... +80 °C | | |
| Leak rate to EN 12266-1 | | A | | |
| Corrosion resistance class | | 3 | | |
| CRC ¹⁾ Stainless steel | | | | |

- 1) Corrosion resistance class CRC 3 to Festo standard FN 940070
High corrosion stress. Outdoor exposure under moderate corrosive conditions. External visible parts with primarily functional requirements for the surface and which are in direct contact with a normal industrial environment.
- 2) The valves are suitable for vacuum with Pabs > 100 mbar. Please ensure the direction of flow corresponds to the direction of the arrow.

| Materials | | |
|-------------------|---|-----------------|
| Solenoid valves | | Material number |
| Housing | Brass casting | CW617N |
| | Stainless steel casting | 1.4581 |
| Screws | High-alloy stainless steel | 1.4301 |
| Seals | NBR | - |
| | FPM | - |
| | EPDM | - |
| Note on materials | Contains PWIS (paint-wetting impairment substances) | |
| | RoHS-compliant | |

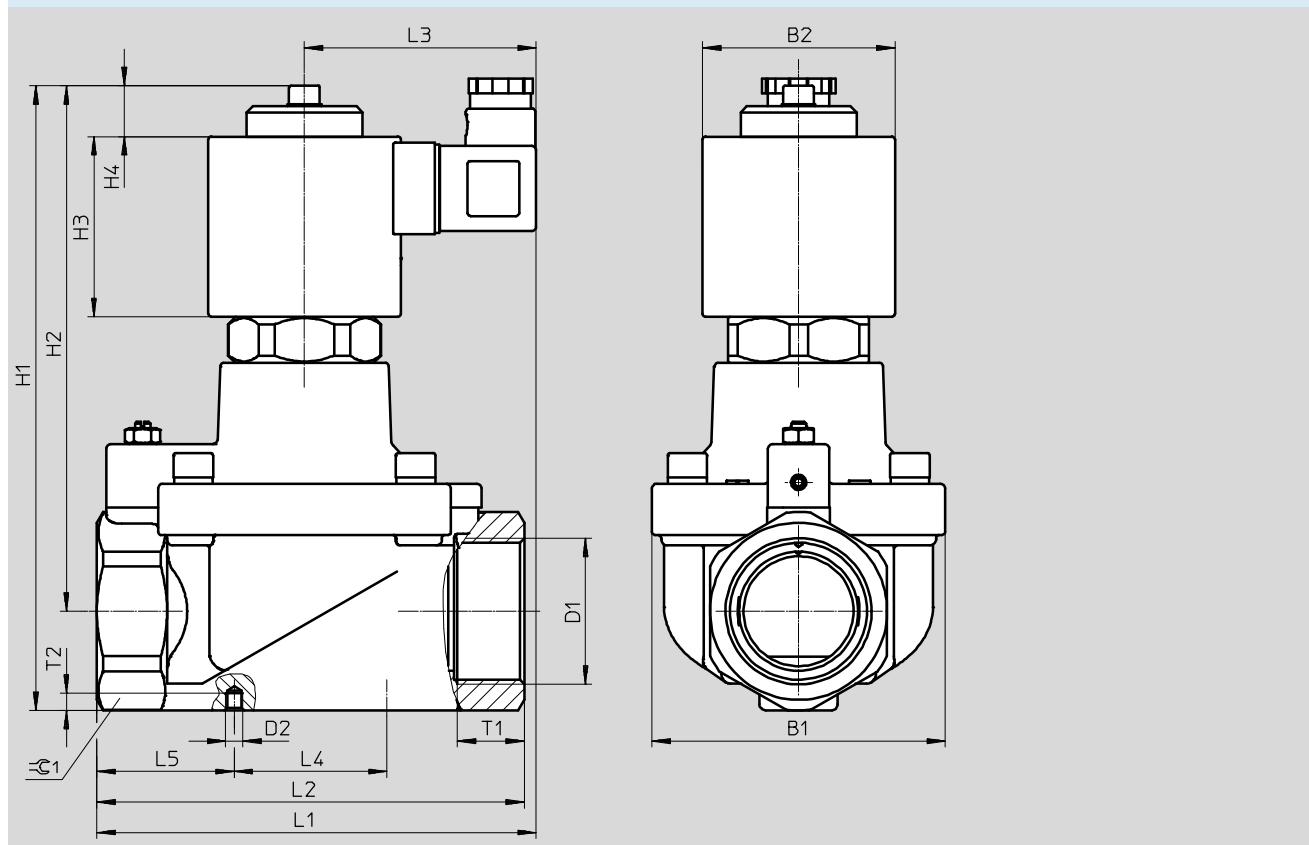
Solenoid valves VZWF, force pilot operated, NPT



Technical data – Connecting thread 1 1/4 NPT ... 2 NPT

| Electrical data | | | VZWF- ... 1 | VZWF- ... 2A | VZWF- ... 3A |
|--|------------------------|------|---|--------------|--------------|
| Electrical connection | | | Plug to EN 175301-803 type A, square design | | |
| CE mark as per EU Pressure Equipment Directive | | | – | Yes | Yes |
| Coil characteristics | Direct current DC | [V] | 24 | – | – |
| | Alternating current AC | [V] | – | 110 | 230 |
| | | [W] | 30 | – | – |
| | Switching power | [VA] | – | 30 | 30 |
| | Holding power | [VA] | – | 30 | 30 |
| | | [Hz] | – | 50, 60 | 50, 60 |
| Permissible voltage fluctuations | | [%] | ±10 | | |

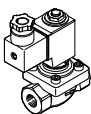
Dimensions Download CAD data → www.festo.com



| | B1 | B2 | D1 | D2 | H1 | H2 | H3 | H4 | L1 | L2 | L3 | L4 | L5 | T1 | T2 | ⌀ |
|--------------------------|-----|----|-----------|----|-----|-----|----|----|-----|-----|----|----|----|----|----|----|
| VZWF-L-M22C-N114-400-... | 96 | 63 | 1 1/4 NPT | M6 | 205 | 173 | 59 | 17 | 148 | 140 | 76 | – | – | 22 | – | 58 |
| VZWF-L-M22C-N112-400-... | 96 | 63 | 1 1/2 NPT | M6 | 205 | 173 | 59 | 17 | 148 | 140 | 76 | – | – | 22 | – | 58 |
| VZWF-L-M22C-N2-500-... | 112 | 63 | 2 NPT | M6 | 218 | 179 | 59 | 17 | 159 | 168 | 76 | 60 | 55 | 25 | 6 | 70 |

Solenoid valves VZWF, force pilot operated, NPT

Technical data – Connecting thread 1 1/4 NPT ... 2 NPT

| Ordering data – Solenoid valve VZWF | | | | | |
|---|--------------------------|-----------------------------|--------------------------------|---------------------------------|-----------------------------------|
| | Process valve connection | Brass housing | | Stainless steel casting housing | |
| | | Part No. | Type | Part No. | Type |
|  | 1 1/4 NPT | 1492387 | VZWF-L-M22C-N114-400-V-3AP4-10 | 1492171 | VZWF-L-M22C-N114-400-1P4-10-R1 |
| | | 1492163 | VZWF-L-M22C-N114-400-1P4-10 | 1492187 | VZWF-L-M22C-N114-400-E-1P4-10-R1 |
| | | 1492259 | VZWF-L-M22C-N114-400-2AP4-10 | 1492395 | VZWF-L-M22C-N114-400-V-3AP4-10-R1 |
| | | 1492355 | VZWF-L-M22C-N114-400-3AP4-10 | 1492203 | VZWF-L-M22C-N114-400-V-1P4-10-R1 |
| | | 1492179 | VZWF-L-M22C-N114-400-E-1P4-10 | 1492267 | VZWF-L-M22C-N114-400-2AP4-10-R1 |
| | | 1492195 | VZWF-L-M22C-N114-400-V-1P4-10 | 1492283 | VZWF-L-M22C-N114-400-E-2AP4-10-R1 |
| | | 1492275 | VZWF-L-M22C-N114-400-E-2AP4-10 | 1492299 | VZWF-L-M22C-N114-400-V-2AP4-10-R1 |
| | | 1492291 | VZWF-L-M22C-N114-400-V-2AP4-10 | 1492363 | VZWF-L-M22C-N114-400-3AP4-10-R1 |
| | | 1492371 | VZWF-L-M22C-N114-400-E-3AP4-10 | 1492379 | VZWF-L-M22C-N114-400-E-3AP4-10-R1 |
| | 1 1/2 NPT | 1492388 | VZWF-L-M22C-N112-400-V-3AP4-10 | 1492172 | VZWF-L-M22C-N112-400-1P4-10-R1 |
| | | 1492164 | VZWF-L-M22C-N112-400-1P4-10 | 1492188 | VZWF-L-M22C-N112-400-E-1P4-10-R1 |
| | | 1492260 | VZWF-L-M22C-N112-400-2AP4-10 | 1492396 | VZWF-L-M22C-N112-400-V-3AP4-10-R1 |
| | | 1492356 | VZWF-L-M22C-N112-400-3AP4-10 | 1492204 | VZWF-L-M22C-N112-400-V-1P4-10-R1 |
| | | 1492180 | VZWF-L-M22C-N112-400-E-1P4-10 | 1492268 | VZWF-L-M22C-N112-400-2AP4-10-R1 |
| | | 1492196 | VZWF-L-M22C-N112-400-V-1P4-10 | 1492284 | VZWF-L-M22C-N112-400-E-2AP4-10-R1 |
| | | 1492276 | VZWF-L-M22C-N112-400-E-2AP4-10 | 1492300 | VZWF-L-M22C-N112-400-V-2AP4-10-R1 |
| | | 1492292 | VZWF-L-M22C-N112-400-V-2AP4-10 | 1492364 | VZWF-L-M22C-N112-400-3AP4-10-R1 |
| | | 1492372 | VZWF-L-M22C-N112-400-E-3AP4-10 | 1492380 | VZWF-L-M22C-N112-400-E-3AP4-10-R1 |
| | 2 NPT | 1492165 | VZWF-L-M22C-N2-500-1P4-6 | 1492173 | VZWF-L-M22C-N2-500-1P4-6-R1 |
| | | 1492261 | VZWF-L-M22C-N2-500-2AP4-6 | 1492189 | VZWF-L-M22C-N2-500-E-1P4-6-R1 |
| | | 1492357 | VZWF-L-M22C-N2-500-3AP4-6 | 1492397 | VZWF-L-M22C-N2-500-V-3AP4-6-R1 |
| | | 1492181 | VZWF-L-M22C-N2-500-E-1P4-6 | 1492205 | VZWF-L-M22C-N2-500-V-1P4-6-R1 |
| | | 1492277 | VZWF-L-M22C-N2-500-E-2AP4-6 | 1492269 | VZWF-L-M22C-N2-500-2AP4-6-R1 |
| | | 1492373 | VZWF-L-M22C-N2-500-E-3AP4-6 | 1492365 | VZWF-L-M22C-N2-500-3AP4-6-R1 |
| | | 1492197 | VZWF-L-M22C-N2-500-V-1P4-6 | 1492301 | VZWF-L-M22C-N2-500-V-2AP4-6-R1 |
| | | 1492293 | VZWF-L-M22C-N2-500-V-2AP4-6 | 1492285 | VZWF-L-M22C-N2-500-E-2AP4-6-R1 |
| | 1492389 | VZWF-L-M22C-N2-500-V-3AP4-6 | 1492381 | VZWF-L-M22C-N2-500-E-3AP4-6-R1 | |