

Mechanically actuated valve VMEF

FESTO



Characteristics

At a glance

Innovative:

- Small and compact for a wide range of pneumatic applications
- Numerous valve functions can be selected: 3/2-way and 5/2-way functions
- Flow rate up to 1200 l/min
- Excellent pneumatic performance for a wide range of tasks
- Lightweight
- Minimal actuating forces

Versatile:

- The flexibility of pneumatic working ports provides a practical way of solving individual requirements
- Round silencer for ducted exhaust air
- Partially suitable for vacuum
- Partial reverse operation possible
- Actuation: direct and pilot operated
- Pressure range from vacuum to 10 bar possible
- Version as stem actuated valve, roller lever valve and roller lever valve with idle return

Operationally safe:

- Durable due to proven piston slide and disc seat valves
- Robust thanks to metal housing and connection thread or connector

Easy to assemble:

- To be mounted via through-holes (stem actuated valves are also suitable for front panel installation)
- Can be precisely adjusted with a mounting kit

Benefits:

- No electronic control required
- No programming effort
- Easy to adjust and connect
- Can be controlled and measured via sensors

Product segmentation



Festo Core Range

Solves the majority of your automation tasks

With the Festo Core Range, we have selected the most important products and functions from our broad product catalogue, and added the quickest delivery. The Core Range offers you the best value with the expected high Festo quality.

- Quickest delivery, worldwide – wherever, whenever
- Expected high Festo quality
- Easy and fast to select

Valve function

[M32]	3/2-way valve, normally closed or open	[M52]	5/2-way valve, single solenoid/monostable
Mechanical spring		Pneumatic spring/mechanical spring	
Vacuum operation possible		Vacuum operation possible	
directly controlled and pneumatically pilot-operated		partially reversible	
Reversible		Pneumatically pilot operated	
Ducted exhaust air		Ducted exhaust air	

Characteristics

Actuation type

[S] Stem actuated valve

3/2-way valve, monostable

5/2-way valve, monostable

[K] Roller lever valve with idle return

3/2-way valve, monostable

5/2-way valve, monostable

[VR] Swivel lever valve, switching range right

3/2-way valve, monostable

5/2-way valve, monostable

[R] Roller lever valve

3/2-way valve, monostable

5/2-way valve, monostable

[VB] Swivel lever valve, double-sided

3/2-way valve, monostable

5/2-way valve, monostable

[VL] Swivel lever valve, switching range left

3/2-way valve, monostable

5/2-way valve, monostable

Mechanically actuated valve VMEF

Type code

001	Series
VMEF	Mechanically actuated valve

002	Actuation type
VB	Swivel lever valve, double-sided
VL	Swivel lever valve, switching range left
VR	Swivel lever valve, switching range right

003	Design principle
	Piston spool
T	Poppet valve

004	Type of control
	Directly actuated

005	Pilot air
	Internal

006	Valve function
M32	3/2-way valve, normally closed or open
M52	5/2-way valve, single solenoid/monostable

007	Reset method for monostable/single solenoid valves
M	Mechanical spring

008	Pneumatic connection
N18	1/8 NPT
N14	1/4 NPT

Datasheet

General technical data						
Design	Piston gate valve, Roller lever	Piston gate valve	One-way roller lever with idle return, Piston gate valve	Roller lever, Poppet seat	One-way roller lever with idle return, Poppet seat	Poppet seat
Construction width	20 mm					
Type of piloting	Direct	Direct, Pilot actuated	Direct			Direct, Pilot actuated
Max. actuating speed with lateral actuation	1.4	–	0.7	1.4	0.7	–
Instructions on use	Risk of pinching	Do not use as a mechanical stop	Risk of pinching			Do not use as a mechanical stop
Type of actuation	Mechanical					
Type of mounting	With through-hole					
Sealing principle	Soft					
Flow direction	Reversible	Non-reversible, Reversible	Reversible			
Mounting position	optional					
Max. switching frequency	3 Hz					

Technical data – Stem actuated valve 3/2-way valves N1/4		
Pilot air supply	External	Internal
Valve function	3/2-way, closed, monostable	
Standard nominal flow rate (standardised to DIN 1343)	870 l/min	
lap	Zero overlap	
Type of piloting	Pilot actuated	
Type of reset	Mechanical spring	
Pilot air port 12/14	M5	
Nominal size	6 mm	
Actuating force	14 N	

Technical data – Stem actuated valve 3/2-way valves N1/8		
Pilot air supply	External	Internal
Valve function	3/2-way, closed, monostable	
Standard nominal flow rate (standardised to DIN 1343)	750 l/min	
lap	Zero overlap	
Type of piloting	Pilot actuated	
Type of reset	Mechanical spring	
Pilot air port 12/14	M5	
Nominal size	5.6 mm	
Actuating force	14 N	

Technical data – Stem actuated valve 5/2-way valves N1/4			
Pilot air supply	External		Internal
Type of reset	Mechanical spring	Pneumatic spring	Mechanical spring
Valve function	5/2-way, monostable		
Standard nominal flow rate (standardised to DIN 1343)	1,200 l/min		
lap	Overlap		
Type of piloting	Pilot actuated		
Pilot air port 12/14	M5		
Nominal size	7 mm		
Actuating force	14 N		

Datasheet

Technical data – Stem actuated valve 5/2-way valves N1/8

Pilot air supply	External	Internal
Type of reset	Mechanical spring	Pneumatic spring
Valve function	5/2-way, monostable	
Standard nominal flow rate (standardised to DIN 1343)	750 l/min	
lap	Overlap	
Type of piloting	Pilot actuated	
Pilot air port 12/14	M5	
Nominal size	5.2 mm	
Actuating force	14 N	

Technical data – Roller lever valve 3/2-way valves N1/4

Max. stroke limit (hard)	6.3 mm	11 mm
Standard nominal flow rate (standardised to DIN 1343)	870 l/min	
Valve function	3/2-way, single solenoid	
lap	Zero overlap	
Type of reset	Mechanical spring	
Nominal size	6 mm	
Actuating force	35.2 N	32.7 N

Technical data – Roller lever valve 3/2-way valves N1/8

Max. stroke limit (hard)	6.3 mm	11 mm
Standard nominal flow rate (standardised to DIN 1343)	750 l/min	
Valve function	3/2-way, single solenoid	
lap	Zero overlap	
Type of reset	Mechanical spring	
Nominal size	5.6 mm	
Actuating force	35.2 N	32.7 N

Technical data – Roller lever valve 5/2-way valves N1/4

Max. stroke limit (hard)	11.6 mm	11.8 mm
Type of reset	Mechanical spring	Pneumatic spring
Standard nominal flow rate (standardised to DIN 1343)	1,200 l/min	
Valve function	5/2-way, monostable	
lap	Overlap	
Nominal size	7 mm	
Actuating force	38 N	23.5 N

Technical data – Roller lever valve 5/2-way valves N1/8

Max. stroke limit (hard)	11.8 mm	
Standard nominal flow rate (standardised to DIN 1343)	750 l/min	
Valve function	5/2-way, monostable	
lap	Overlap	
Type of reset	Mechanical spring	
Nominal size	5.2 mm	
Actuating force	23.5 N	

Datasheet

Operating and ambient conditions, stem actuated valve

Pilot air supply	External	Internal
Operating medium	Compressed air to ISO 8573-1:2010 [7:-:]	
Note on operating and pilot medium	Lubricated operation possible (in which case lubricated operation will always be required)	
Operating pressure	-0.95 ... 10 bar	2.5 ... 10 bar
Operating pressure	-0.095 ... 1 MPa	0.25 ... 1 MPa
Pilot pressure	2.5 ... 10 bar	
Media temperature	-10 ... 60°C	
Ambient temperature	-10 ... 60°C	
Corrosion resistance class CRC ¹⁾	2 - Moderate corrosion stress	

1) More information www.festo.com/x/topic/crc

Materials, stem actuated valve

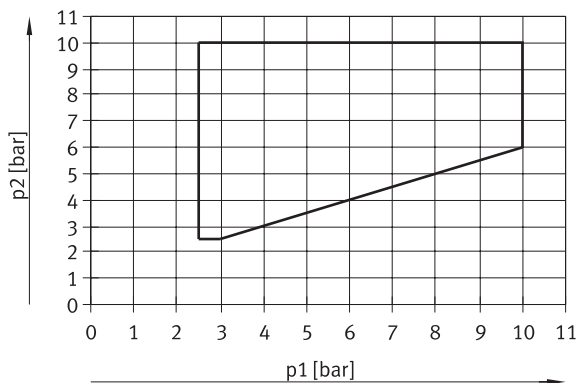
Material housing	Anodised wrought aluminium alloy
Material cover	PA-reinforced
Material mounting adaptor	–
Material seals	NBR
Note on materials	RoHS-compliant

Materials, roller lever valve

Material housing	Anodised wrought aluminium alloy
Material cover	PA-reinforced
Material mounting adaptor	Galvanised steel
Material seals	NBR
Note on materials	RoHS-compliant

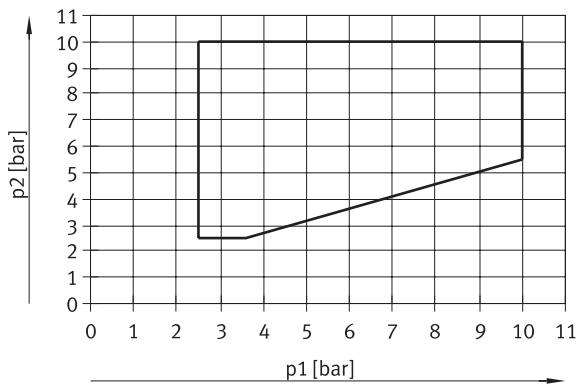
Materials, swivel lever valve

Material housing	Anodised wrought aluminium alloy
Material cover	PA-reinforced
Material mounting adaptor	–
Material seals	NBR
Note on materials	RoHS-compliant

Pilot pressure p_2 as a function of external pneumatic spring pressure p_1 , for piston spool valves VMEF-...-M52...18

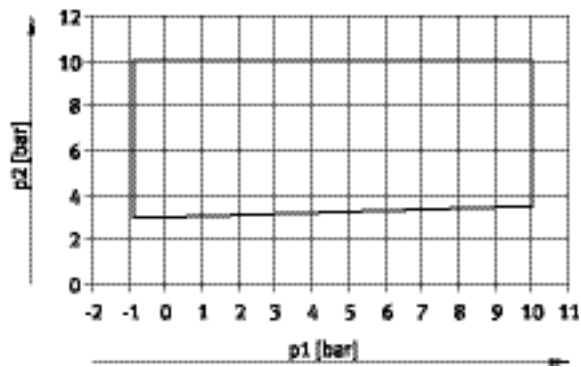
Datasheet

Pilot pressure p_2 as a function of external pneumatic spring pressure p_1 , for piston spool valves VMEF-...-M52...14



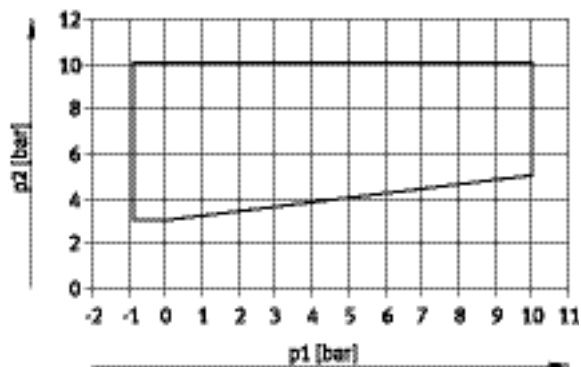
Pilot pressure p_2 as a function of working pressure p_1 , for poppet seat valves VMEF-...-M32... (normally closed)

VMEF



Pilot pressure p_2 as a function of working pressure p_1 , for poppet seat valves VMEF-...-M32... (normally open)

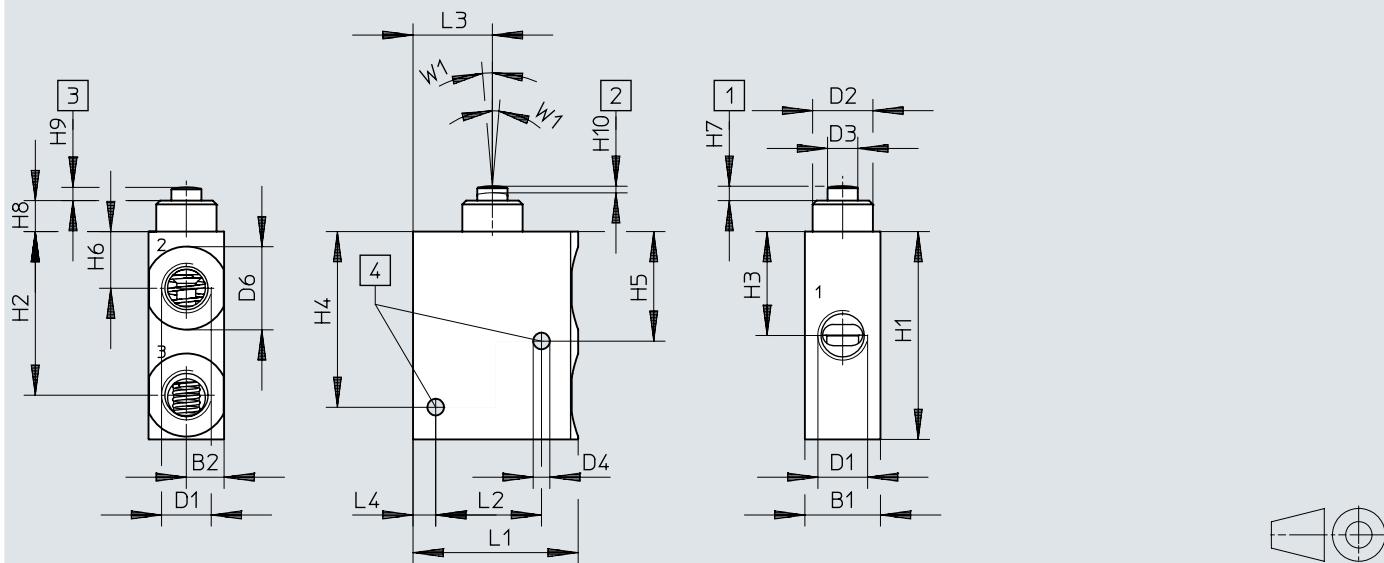
VMEF-G18/G14



Dimensions

Dimensions – Stem actuated 3/2-way valve

Download CAD data www.festo.com

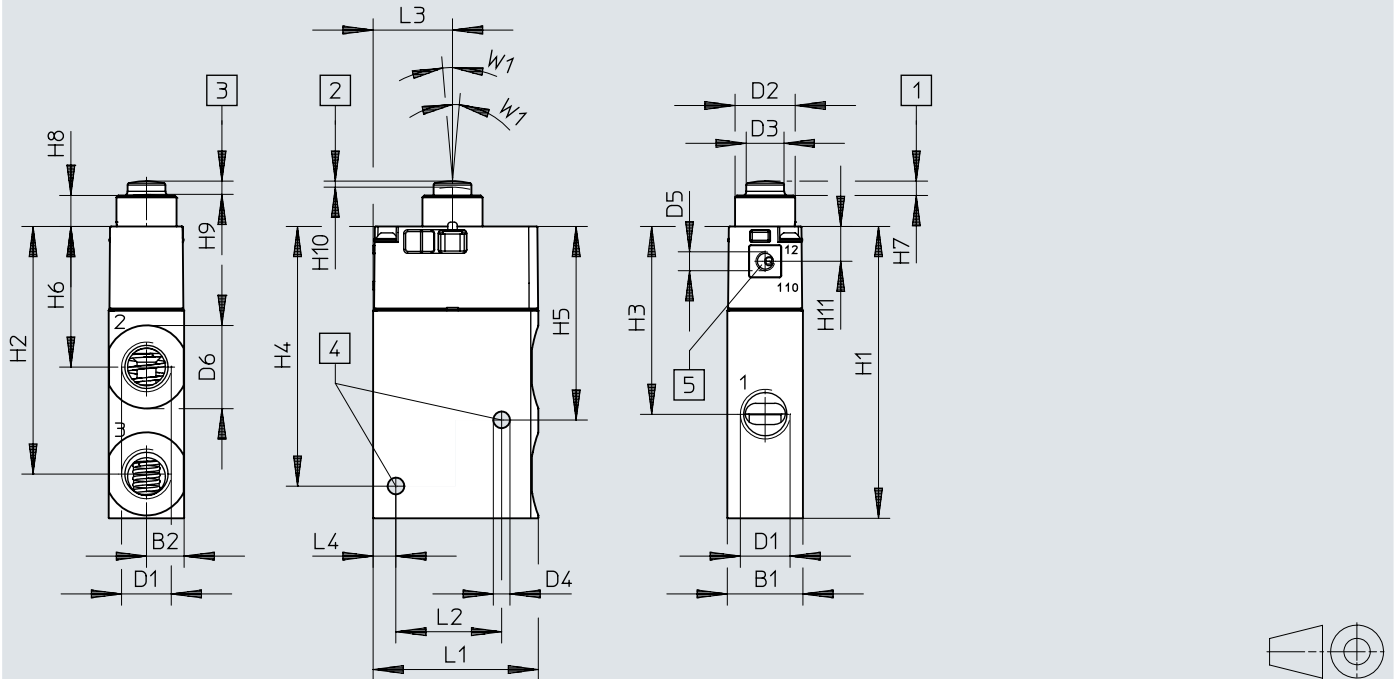


- [1] Normal position
- [2] Start of opening
- [3] Maximum stroke
- [4] Mounting hole

	B1	B2	D1	D2 ∅	D3 ∅	D4 ∅	D6 ∅	L1	L2	L3	L4
VMEF-ST-M32-M-N18	20	10	1/8 NPT	16,0	8,0	4,4	16,5	43,7	28	21	6
VMEF-ST-M32-M-N14			1/4 NPT				22				
	H1	H2	H3	H4	H5	H6	H7 ±0,2	H8	H9 ±0,3	H10 ±0,3	W1
VMEF-ST-M32-M-N18	55	43,3	27,5	46,5	29	15	3,8	8,2	3,5	1,8	5°
VMEF-ST-M32-M-N14											

Dimensions

Download CAD data www.festo.com



- [1] Normal position
- [2] Start of opening
- [3] Maximum stroke
- [4] Mounting hole
- [5] Pilot air port 12 (110)

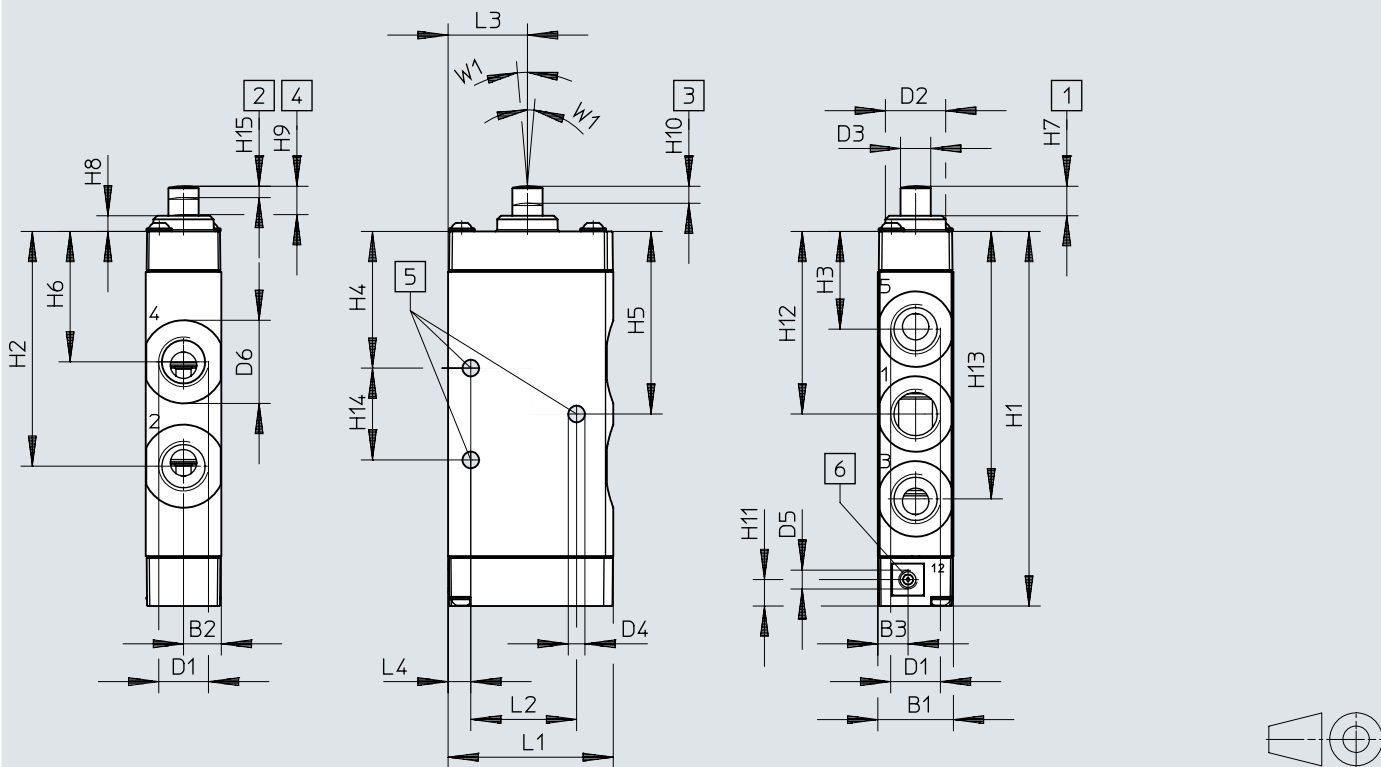
	B1	B2	D1	D2 ∅	D3 ∅	D4 ∅	D5	D6 ∅	L1	L2	L3	L4
VMEF-STC-M32-M-N18	20	10	1/8 NPT	15,9	10	4,4	-	16,5	43,7	28	21	6
VMEF-STC-M32-M-N14			1/4 NPT					22				
VMEF-STCZ-M32-M-N18			1/8 NPT					16,5				
VMEF-STCZ-M32-M-N14			1/4 NPT					22				

	H1	H2	H3	H4	H5	H6	H7 ±0,15	H8	H9 ±0,15	H10 ±0,4	H11	W1
VMEF-STC-M32-M-N18	77,2	65,5	49,7	68,7	51,2	37,2	3,8	8,2	3,5	1,6	9,2	5°
VMEF-STC-M32-M-N14												
VMEF-STCZ-M32-M-N18												
VMEF-STCZ-M32-M-N14												

Dimensions

Dimensions – Stem actuated 5/2-way valve

Download CAD data www.festo.com



- [1] Normal position
- [2] Start of closing
- [3] Start of opening
- [4] Maximum stroke
- [5] Mounting hole
- [6] Pilot air port 12

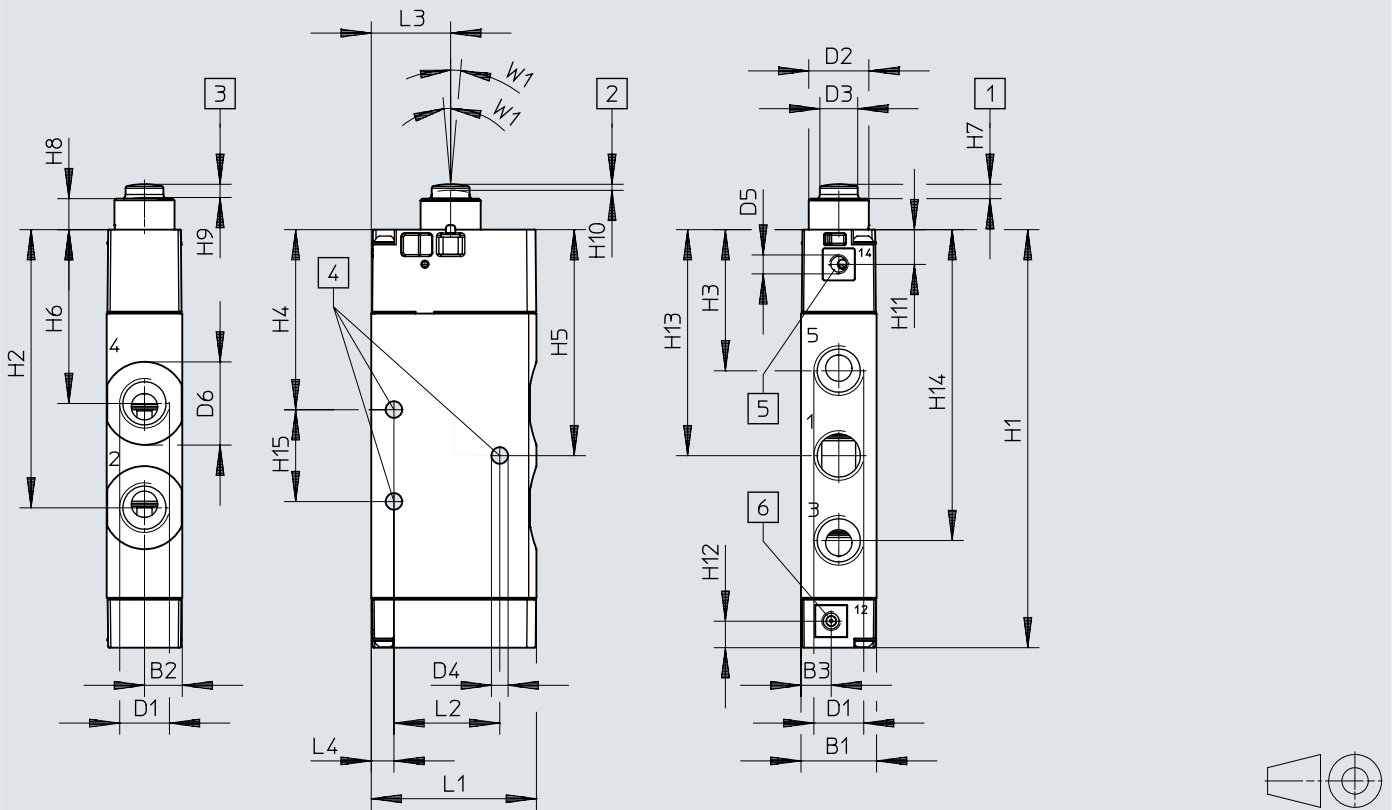
	B1	B2	B3	D1	D2 ∅	D3 ∅	D4 ∅	D5	D6 ∅	L1	L2	L3	L4	H1	H2
VMEF-S-M52-M-N18	20	10	8	1/8 NPT	16	8	4,4	-	16,5	43,7	28	21	6	82,6	49,9
VMEF-S-M52-E-N18				M5											
VMEF-S-M52-M-N14				1/4 NPT				-							
VMEF-S-M52-E-N14				M5				22							

	H3	H4	H5	H6	H7 ±0,15	H8	H9 ±0,15	H10 ±0,15	H11	H12	H13	H14	H15 ±0,15	W1
VMEF-S-M52-M-N18	23,1	31,1	40,1	30,3	7,8	4,2	7,5	4,2	7	40,1	57,1	18	3	5°
VMEF-S-M52-E-N18								4,2		48,3				
VMEF-S-M52-M-N14	25,9	36,2	48,3	34,5				4,5	48,3	70,8	24,3			
VMEF-S-M52-E-N14								4,5	48,3	70,8	24,3			

Dimensions

Dimensions – Stem actuated 5/2-way valve and 5/2-way valve with external pilot air supply

Download CAD data www.festo.com



- [1] Normal position
- [2] Start of opening
- [3] Maximum stroke
- [4] Mounting hole
- [5] Pilot air port 14
- [6] Pilot air port 12

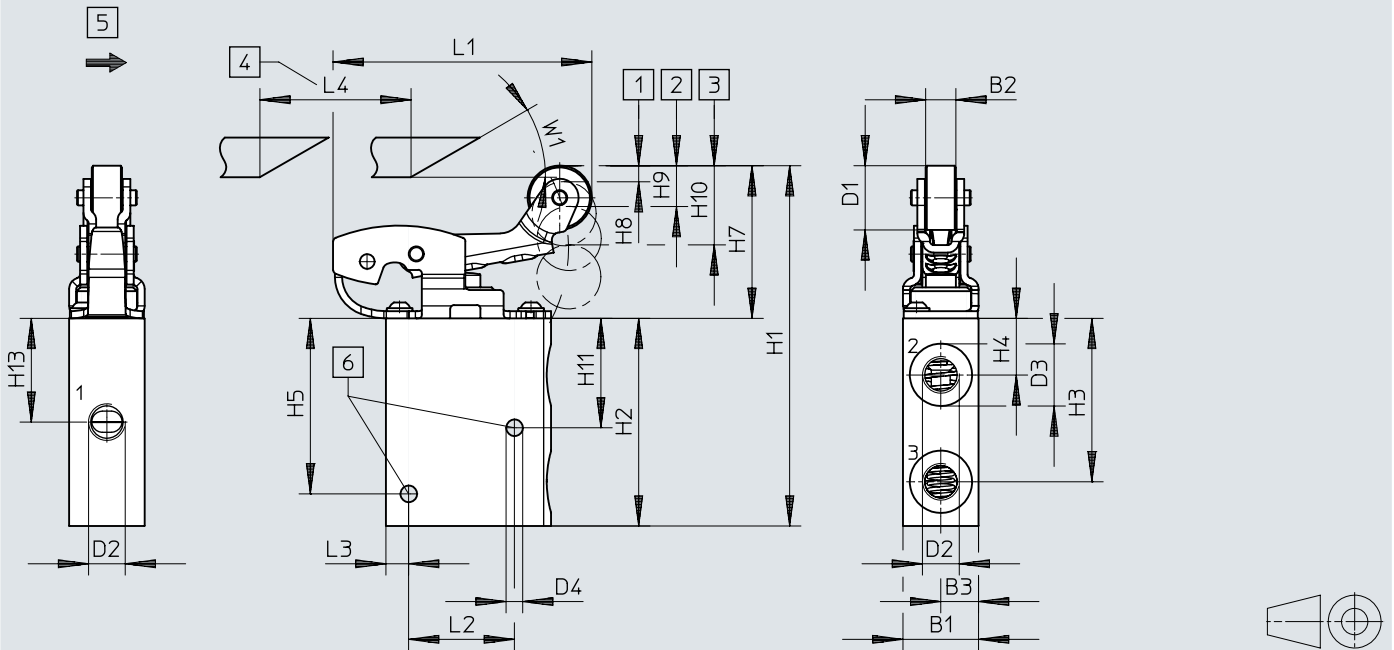
	B1	B2	B3	D1	D2 ∅	D3 ∅	D4 ∅	D5	D6 ∅	L1	L2	L3	L4
VMEF-SC-M52-M-N18	20	10	8	1/8 NPT	15,9	10	4,4	-	16,5	43,7	28	21	6
VMEF-SCZ-M52-M-N18				1/8 NPT				M5					
VMEF-SCZ-M52-E-N18				1/8 NPT				-					
VMEF-SC-M52-M-N14				1/4 NPT				-					
VMEF-SCZ-M52-M-N14				1/4 NPT				M5					
VMEF-SCZ-M52-E-N14				1/4 NPT				M5					

	H1	H2	H3	H4	H5	H6	H7 ±0,15	H8	H9 ±0,15	H10 ±0,4	H11	H12	H13	H14	H15	W1
VMEF-SC-M52-M-N18	94,1	61,4	34,6	42,6	51,6	41,8	3,8	8,2	3,5	1,6	9,2	7	51,6	68,6	18	5°
VMEF-SCZ-M52-M-N18																
VMEF-SCZ-M52-E-N18																
VMEF-SC-M52-M-N14	110,6	73,6	37,4	47,7	59,8	46	3,8	8,2	3,5	1,6	9,2	7	59,8	82,3	24,3	5°
VMEF-SCZ-M52-M-N14																
VMEF-SCZ-M52-E-N14																

Dimensions

Dimensions – Roller lever valve 3/2-way valve, roller lever

Download CAD data www.festo.com



- [1] Start of opening
- [2] Max. opening
- [3] Max. stroke
- [4] Cam travel
- [5] Actuation direction
- [6] Mounting hole

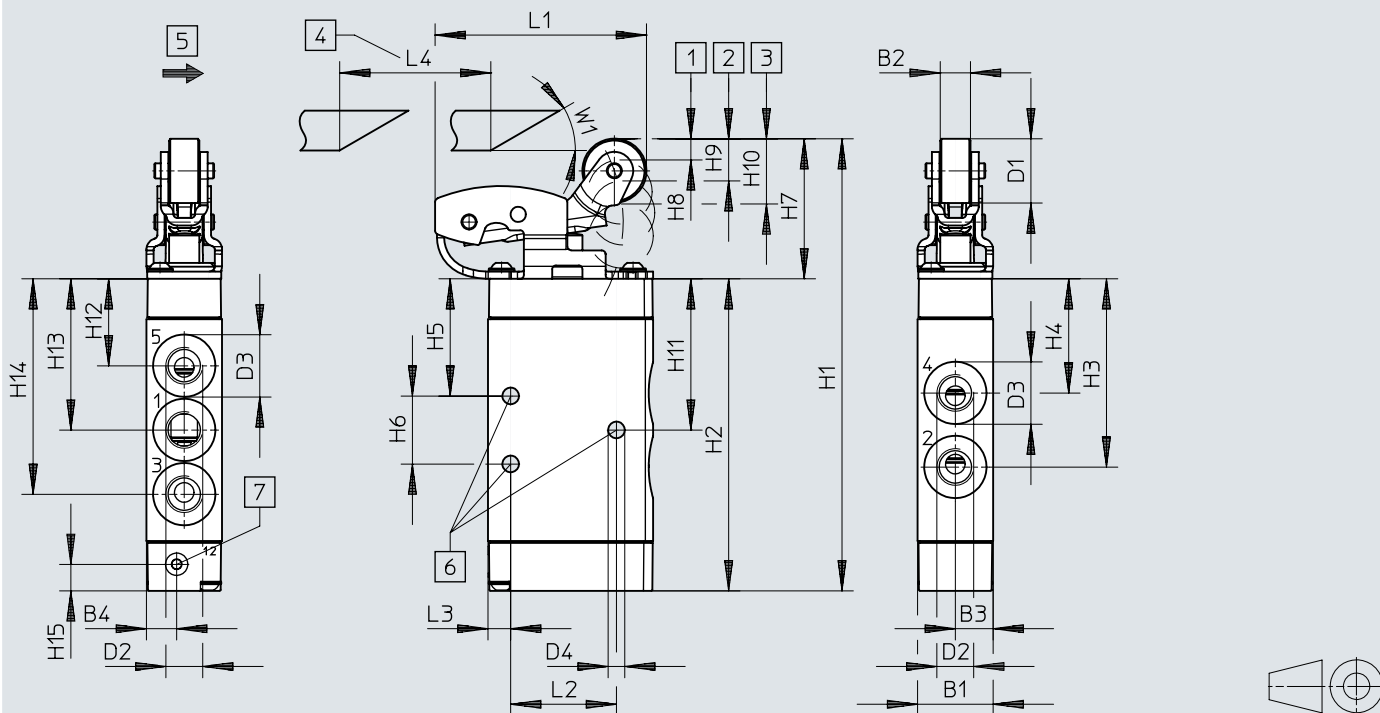
	B1	B2	B3	D1 ∅	D2	D3	D4 ∅	L1	L2	L3	L4 min.
VMEF-RT-M32-M-N18	20	8	10	17	1/8 NPT	16,5	4,4	68,5	28	6	40
VMEF-RT-M32-M-N14					1/4 NPT	22					

	H1	H2	H3	H4	H5	H7	H8	H9	H10	H11	H13	W1
VMEF-RT-M32-M-N18	91,9	55	43,3	15	46,5	37	6	6	10	29	27,5	30°
VMEF-RT-M32-M-N14												

Dimensions

Dimensions – Roller lever valve 5/2-way valve, roller lever

Download CAD data www.festo.com



- [1] Start of opening
- [2] Max. opening
- [3] Max. stroke
- [4] Cam travel
- [5] Actuation direction
- [6] Mounting hole
- [7] Pilot air port 12

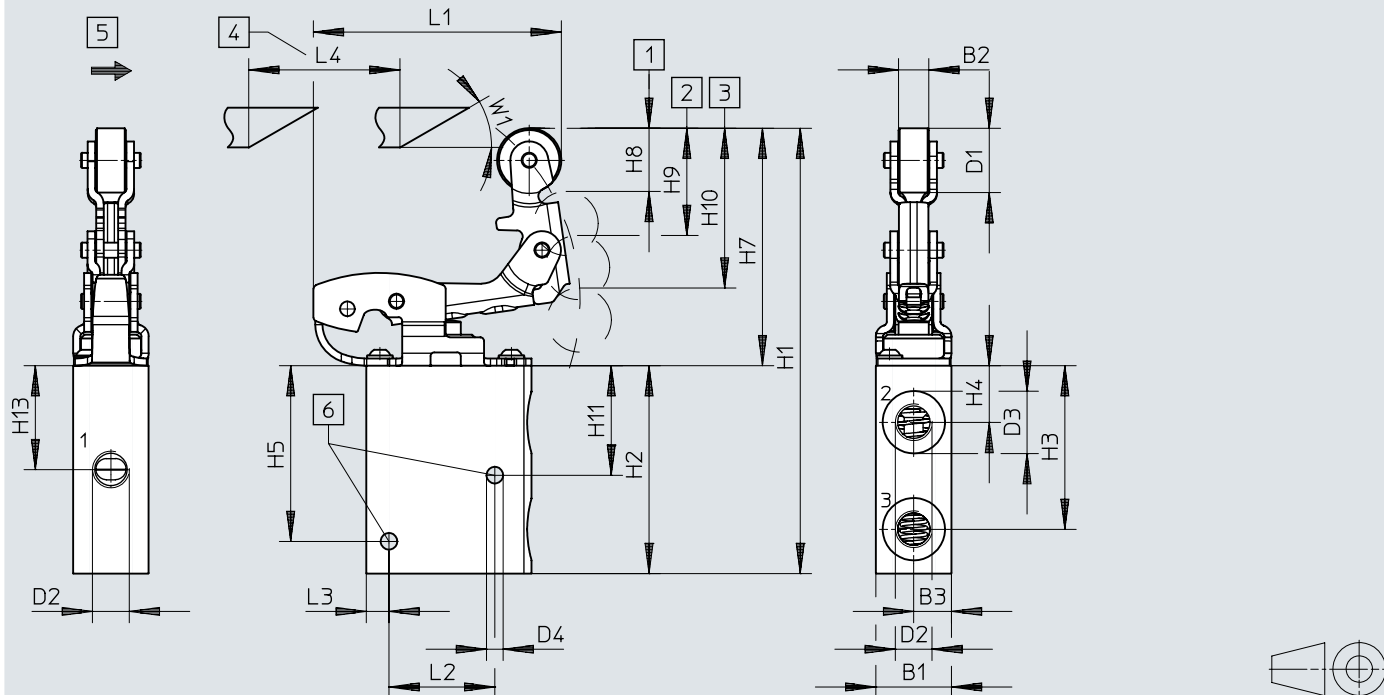
	B1	B2	B3	B4	D1 ∅	D2	D3	D4	L1	L2	L3	L4 min.	H1	H2
VMEF-R-M52-...N18	20	8	10	8	17	1/8 NPT	16,5	4,4	56	28	6	40	119,6	82,6
VMEF-R-M52-...N14						1/4 NPT	22						136,1	99,1

	H3	H4	H5	H6	H7	H8	H9	H10	H11	H12	H13	H14	H15	W1
VMEF-R-M52-...N18	49,9	30,3	31,1	18	37	7	5	11	40,1	23,1	40,1	57,1	7	30°
VMEF-R-M52-...N14	62,1	34,5	36,2	24,3					48,3	25,9	48,3	70,8		

Dimensions

Dimensions – Roller lever valve 3/2-way valve, roller lever with idle return

Download CAD data www.festo.com



- [1] Start of opening
- [2] Max. opening
- [3] Max. stroke
- [4] Cam travel
- [5] Actuation direction
- [6] Mounting hole

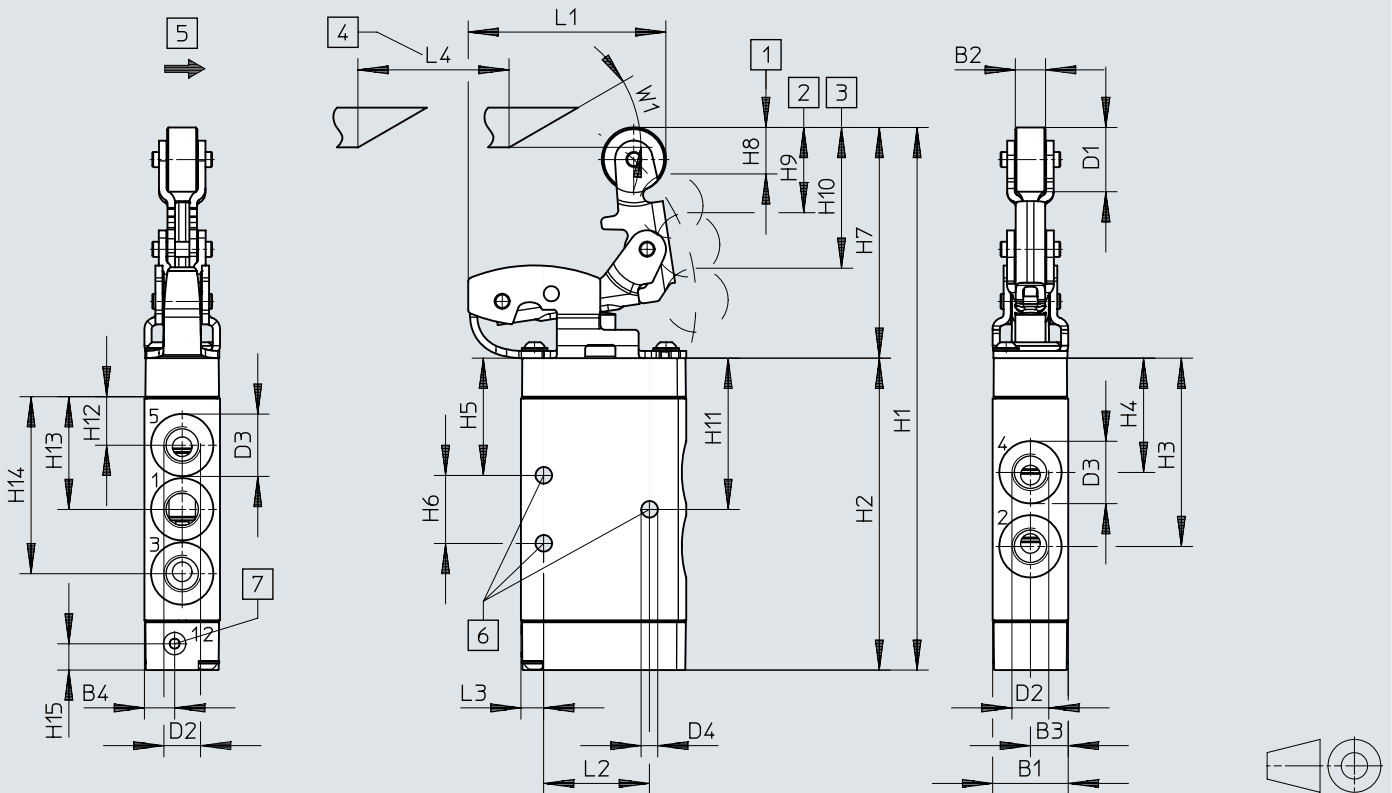
	B1	B2	B3	D1 ∅	D2	D3	D4 ∅	L1	L2	L3	L4 min.
VMEF-KT-M32-M-N18	20	8	10	17	1/8 NPT	16,5	4,4	65,6	28	6	40
VMEF-KT-M32-M-N14					1/4 NPT	22					

	H1	H2	H3	H4	H5	H7	H8	H9	H10	H11	H13	W1
VMEF-KT-M32-M-N18	117,2	55	43,3	15	46,5	62	6	6	10	29	27,5	30°
VMEF-KT-M32-M-N14												

Dimensions

Dimensions – Roller lever valve 5/2-way valve, roller lever with idle return

Download CAD data www.festo.com



- [1] Start of opening
- [2] Max. opening
- [3] Max. stroke
- [4] Cam travel
- [5] Actuation direction
- [6] Mounting hole
- [7] Pilot air port 12

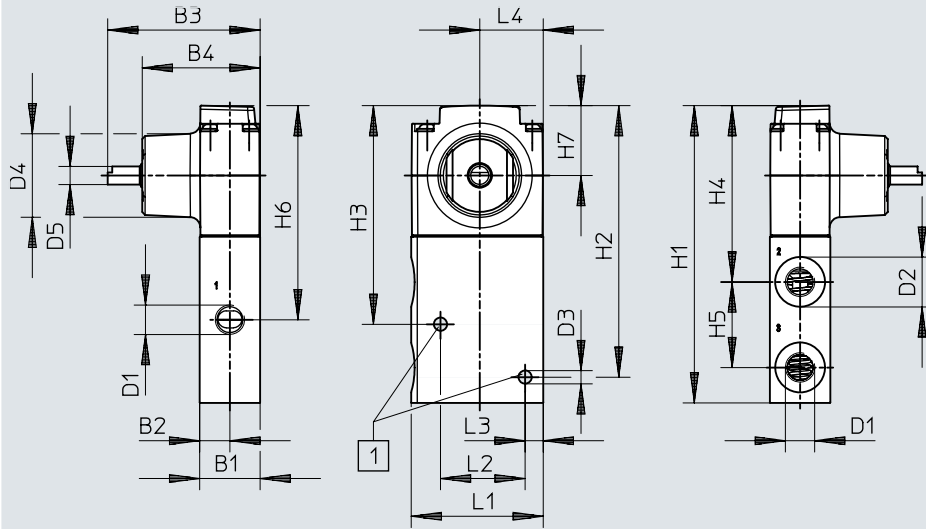
	B1	B2	B3	B4	D1 ∅	D2	D3	D4	L1	L2	L3	L4 min.	H1	H2
VMEF-K-M52-...N18	20	8	10	8	17	1/8 NPT	16,5	4,4	52,4	28	6	40	143,5	82,6
VMEF-K-M52-...N14						1/4 NPT	22						160	99,1

	H3	H4	H5	H6	H7	H8	H9	H10	H11	H12	H13	H14	H15	W1
VMEF-K-M52-...N18	49,9	30,3	31,1	18	61	7	5	11	40,1	23,1	40,1	57,1	7	30°
VMEF-K-M52-...N14	62,1	34,5	36,2	24,3					48,3	25,9	48,3	70,8		

Dimensions

Dimensions

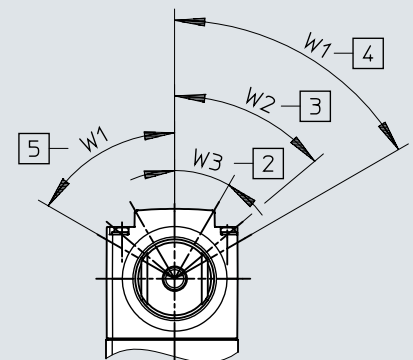
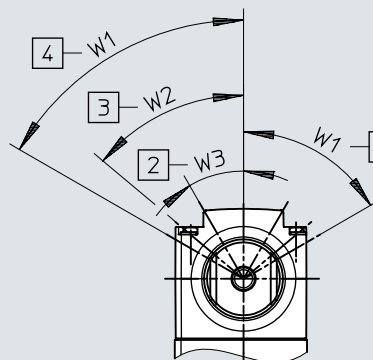
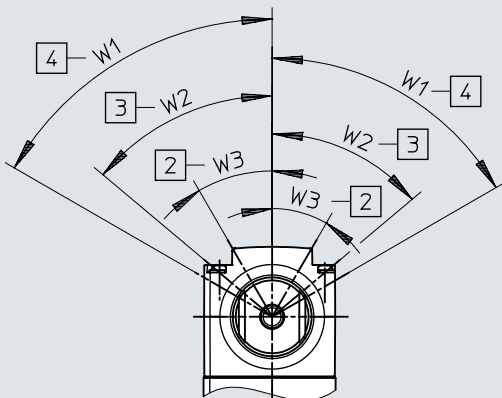
Download CAD data www.festo.com



VMEF-VBT-...

VMEF-VLT-...

VMEF-VRT-...



- [1] Mounting holes
- [2] Start of the opening
- [3] Max. opening
- [4] Flashover
- [5] Idling

Dimensions

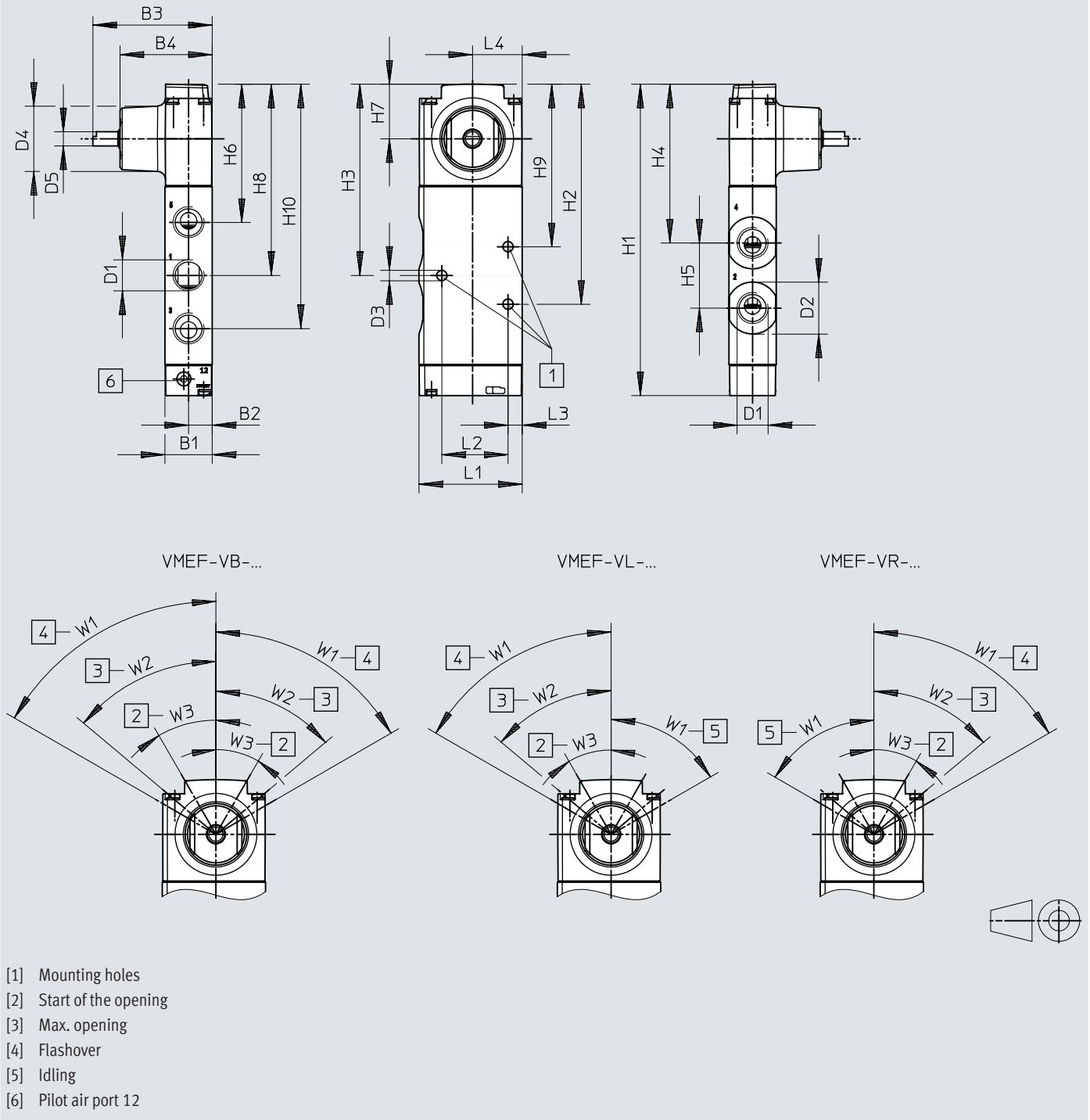
	B1	B2	B3	B4	D1	D2 ∅	D3 ∅	D4 ∅	D5 ∅	H1	H2
VMEF-VBT-M32-M-N18	20	10	50,4	39	NPT 1/8	16,5	4,4	27,7	6	98,4	89,9
VMEF-VBT-M32-M-N14					NPT 1/4	22					
VMEF-VLT-M32-M-N18					NPT 1/8	16,5					
VMEF-VLT-M32-M-N14					NPT 1/4	22					
VMEF-VRT-M32-M-N18					NPT 1/8	16,5					
VMEF-VRT-M32-M-N14					NPT 1/4	22					

	H3	H4	H5	H6	H7	L1	L2	L3	L4	W1	W2	W3
VMEF-VBT-M32-M-N18	72,4	58,4	28,3	70,9	23,1	43,7	28	6	21	60°	50°	30°
VMEF-VBT-M32-M-N14												
VMEF-VLT-M32-M-N18												
VMEF-VLT-M32-M-N14												
VMEF-VRT-M32-M-N18												
VMEF-VRT-M32-M-N14												

Dimensions

Dimensions

Download CAD data www.festo.com



Dimensions

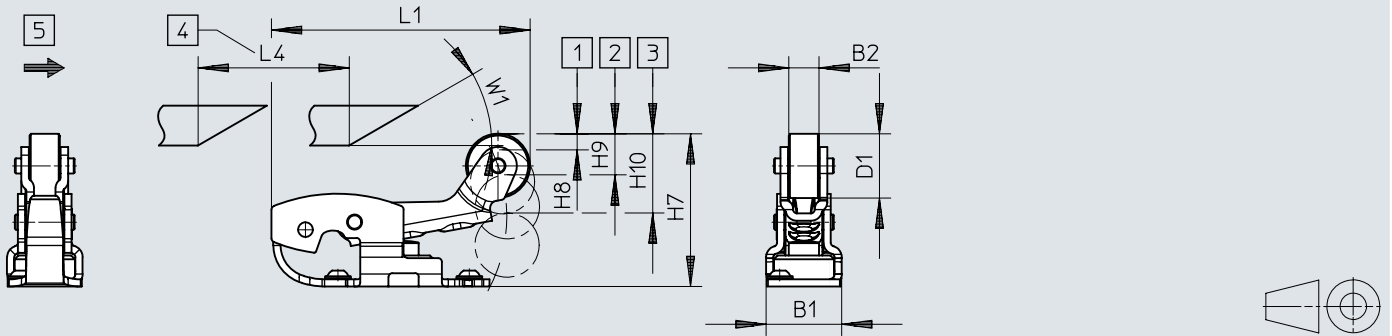
	B1	B2	B3	B4	D1	D2 ∅	D3 ∅	D4 ∅	D5 ∅	H1	H2	H3	H4
VMEF-VB-M52-M-N18	20	10	50,5	39	NPT 1/8	16,5	4,4	27,7	6	115,3	81,7	72,7	62,9
VMEF-VL-M52-M-N18					NPT 1/8								
VMEF-VR-M52-M-N18					NPT 1/8								
VMEF-VB-M52-M-N14					NPT 1/4	22				131,8	93,1	81	67,2
VMEF-VL-M52-M-N14					NPT 1/4								
VMEF-VR-M52-M-N14					NPT 1/4								

	H5	H6	H7	H8	H9	H10	L1	L2	L3	L4	W1	W2	W3
VMEF-VB-M52-M-N18	19,6	55,7	23,1	72,7	63,7	89,7	43,7	28	6	21	60°	50°	30°
VMEF-VL-M52-M-N18													
VMEF-VR-M52-M-N18													
VMEF-VB-M52-M-N14	27,6	58,5	23,1	81	68,8	103,5	43,7	28	6	21	60°	50°	30°
VMEF-VL-M52-M-N14													
VMEF-VR-M52-M-N14													

Dimensions

Dimensions – Actuator attachments VAOM, roller lever for 3/2-way valves

Download CAD data www.festo.com



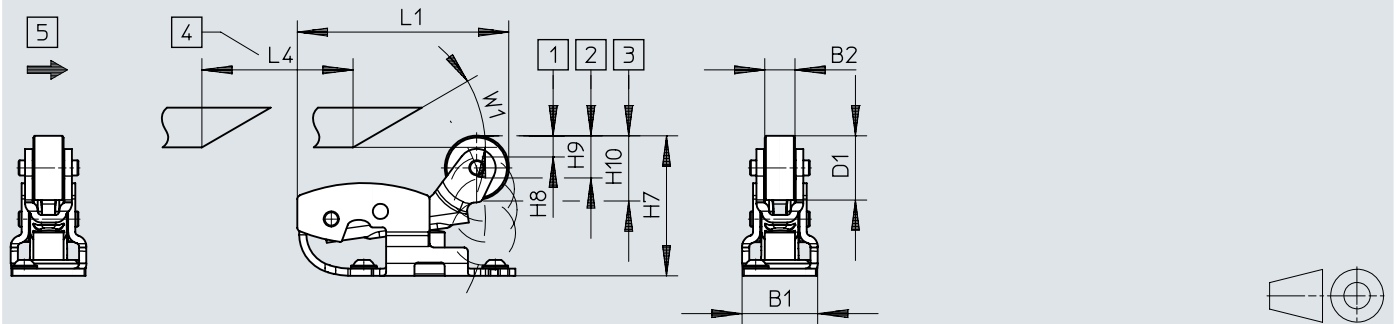
- [1] Start of opening
- [2] Max. opening
- [3] Max. stroke
- [4] Cam travel
- [5] Actuation direction

	B1	B2	D1 ∅	L1	L4 min.	H7 ±0,1	H8 ±0,1	H9 ±0,1	H10 ±0,1	W1
VAOM-R4-20-D1-32	20	8	17	68,5	40	36,9	2,9	2,9	6,3	30°

Dimensions

Dimensions – Actuator attachments VAOM, roller lever for 5/2-way valves

Download CAD data www.festo.com



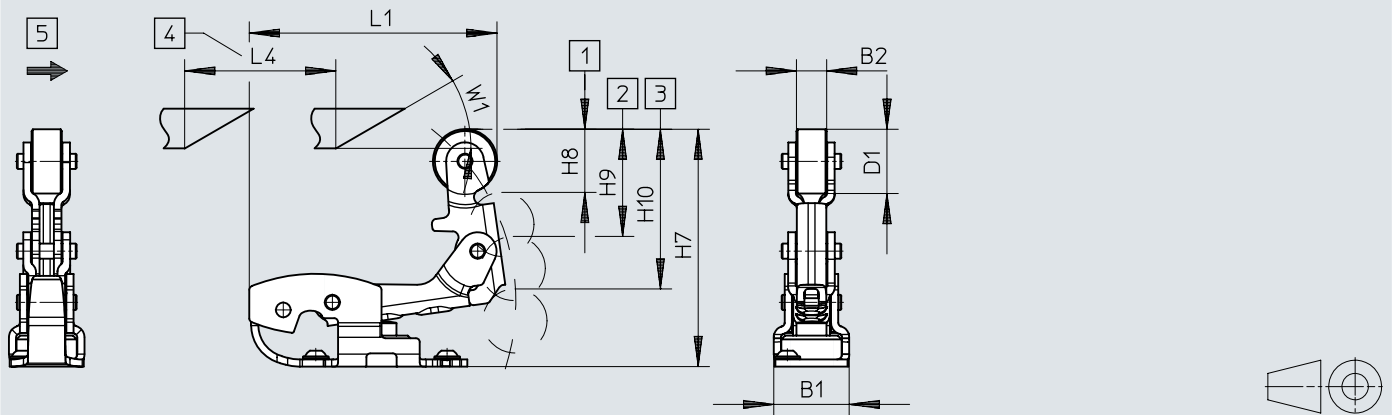
- [1] Start of opening
- [2] Max. opening
- [3] Max. stroke
- [4] Cam travel
- [5] Actuation direction

	B1	B2	D1 ∅	L1	L4 min.	H7 ±0,2	H8 ±0,3	H9 ±0,2	H10 ±0,1	W1
VAOM-R4-20-D1-52	20	8	17	56	40	37	7,3	7,6	11,6	30°

Dimensions

Dimensions – Actuator attachments VAOM, roller lever with idle return for
3/2-way valves

Download CAD data www.festo.com



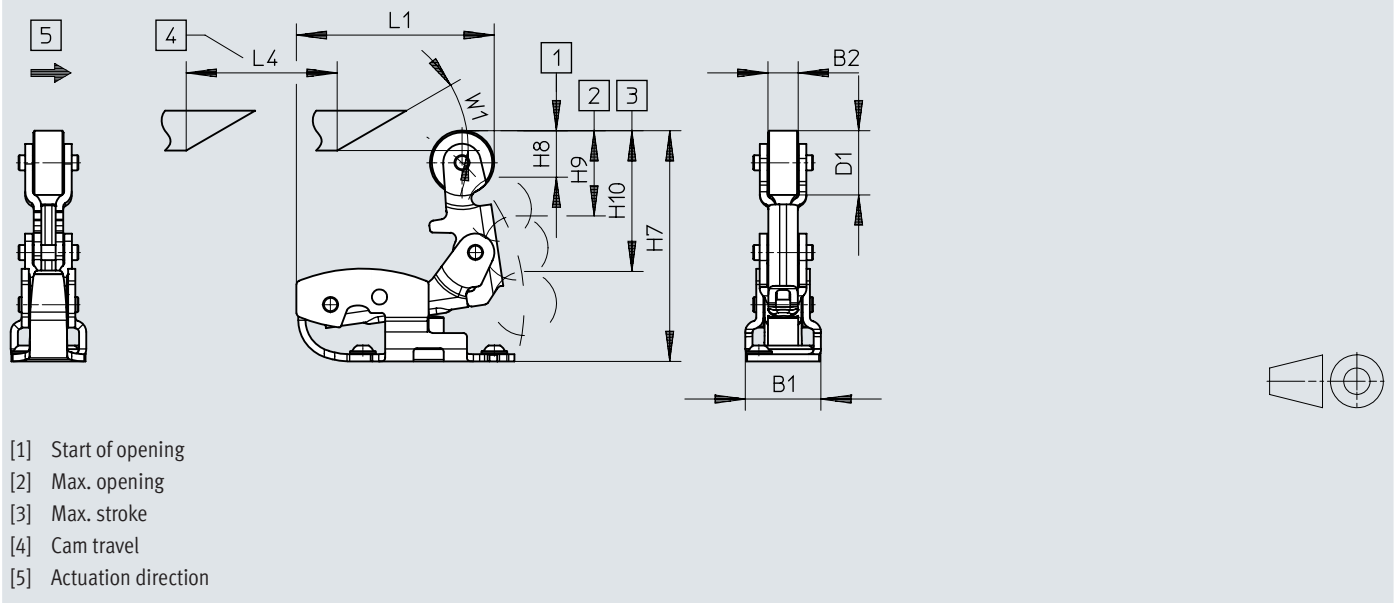
- [1] Start of opening
- [2] Max. opening
- [3] Max. stroke
- [4] Cam travel
- [5] Actuation direction

	B1	B2	D1 ø	L1	L4 min.	H7 ±0,2	H8 ±0,2	H9 ±0,2	H10 ±0,1	W1
VAOM-R4-20-D2-32	20	8	17	65,6	40	62,2	5,9	5,8	11,1	30°

Dimensions

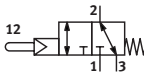
Dimensions – Actuator attachments VAOM, roller lever with idle return for 5/2-way valves

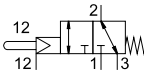
Download CAD data www.festo.com

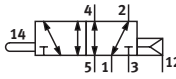


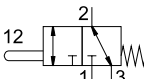
	B1	B2	D1 ∅	L1	L4 min.	H7 ±0,1	H8 ±0,3	H9 ±0,3	H10 ±0,1	W1
VAOM-R4-20-D2-52	20	8	17	52,4	40	60,9	7,4	7,7	11,8	30°

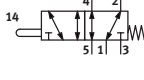
Ordering data

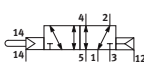
Stem actuated valve, 3/2-way valve, monostable, normally closed or open, reset via mechanical spring, vacuum compatible						
	Type of piloting	Flow direction	Design	Product weight	Part no.	Type
	Direct	Reversible	Poppet seat	110 g	8031310	VMEF-ST-M32-M-N14
				116 g	8031305	VMEF-ST-M32-M-N18

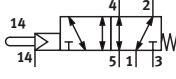
Stem actuated valve, 3/2-way valve, monostable, normally closed or open, reset via mechanical spring, pneumatically pilot controlled, internal pilot air						
	Type of piloting	Flow direction	Design	Product weight	Part no.	Type
	Pilot actuated	Reversible	Poppet seat	124 g	8031334	VMEF-STC-M32-M-N14
				131 g	8031333	VMEF-STC-M32-M-N18

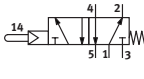
Stem actuated valve, 3/2-way valve, monostable, normally closed or open, reset via mechanical spring, pneumatically pilot controlled, external pilot air						
	Type of piloting	Flow direction	Design	Product weight	Part no.	Type
	Pilot actuated	Reversible	Poppet seat	124 g	8031338	VMEF-STCZ-M32-M-N14
				131 g	8031337	VMEF-STCZ-M32-M-N18

Stem actuated valve, 5/2-way valve, monostable, normally closed or open position, reset via (external) pneumatic spring, vacuum compatible						
	Type of piloting	Flow direction	Design	Product weight	Part no.	Type
	Direct	Reversible	Piston gate valve	144 g	8031309	VMEF-S-M52-E-N18
				177 g	8031314	VMEF-S-M52-E-N14

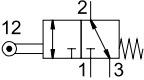
Stem actuated valve, 5/2-way valve, monostable, normally closed or open, reset via mechanical spring, vacuum compatible						
	Type of piloting	Flow direction	Design	Product weight	Part no.	Type
	Direct	Reversible	Piston gate valve	145 g	8031307	VMEF-S-M52-M-N18
				178 g	8031312	VMEF-S-M52-M-N14

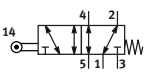
Stem actuated valve, 5/2-way valve, monostable, reset via pneumatic spring, pneumatically pilot controlled, external pilot air, vacuum-compatible						
	Type of piloting	Flow direction	Design	Product weight	Part no.	Type
	Pilot actuated	Reversible	Piston gate valve	150 g	8031326	VMEF-SCZ-M52-E-N18
				183 g	8031325	VMEF-SCZ-M52-E-N14

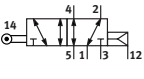
Stem actuated valve, 5/2-way valve, monostable, reset via mechanical spring, pneumatically pilot controlled, external pilot air, vacuum compatible						
	Type of piloting	Flow direction	Design	Product weight	Part no.	Type
	Pilot actuated	Reversible	Piston gate valve	151 g	8031330	VMEF-SCZ-M52-M-N18
				184 g	8031329	VMEF-SCZ-M52-M-N14

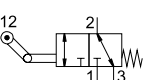
Stem actuated valve, 5/2-way valve, monostable, reset via mechanical spring, pneumatically pilot controlled, internal pilot air						
	Type of piloting	Flow direction	Design	Product weight	Part no.	Type
	Pilot actuated	Non-reversible	Piston gate valve	151 g	8031322	VMEF-SC-M52-M-N18
				184 g	8031321	VMEF-SC-M52-M-N14

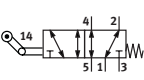
Ordering data

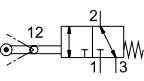
Roller lever valve, 3/2-way valve, monostable, normally closed or open, reset via mechanical spring, directly controlled, vacuum compatible						
	Type of piloting	Flow direction	Design	Product weight	Part no.	Type
	Direct	Reversible	Roller lever, Poppet seat	204 g	8047101	VMEF-RT-M32-M-N14
				209 g	8047098	VMEF-RT-M32-M-N18

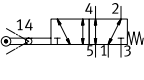
Roller lever valve, 5/2-way valve, monostable, reset via mechanical spring, directly controlled, vacuum compatible						
	Type of piloting	Flow direction	Design	Product weight	Part no.	Type
	Direct	Reversible	Piston gate valve, Roller lever	240 g	8047097	VMEF-R-M52-M-N18
				272 g	8047100	VMEF-R-M52-M-N14

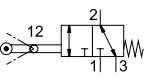
Roller lever valve, 5/2-way valve, monostable, reset via mechanical spring, directly controlled, vacuum compatible						
	Type of piloting	Flow direction	Design	Product weight	Part no.	Type
	Direct	Reversible	Piston gate valve, Roller lever	240 g	8047096	VMEF-R-M52-E-N18
				272 g	8047099	VMEF-R-M52-E-N14

Roller lever valve with idle return, 3/2-way valve, monostable, normally closed or open, reset via mechanical spring, directly controlled, vacuum compatible						
	Type of piloting	Flow direction	Design	Product weight	Part no.	Type
	Direct	Reversible	One-way roller lever with idle return, Poppet seat	218 g	8047107	VMEF-KT-M32-M-N14
				227 g	8047105	VMEF-KT-M32-M-N18

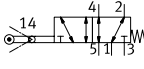
Roller lever valve with idle return, 5/2-way valve, monostable, reset via mechanical spring, directly controlled, vacuum compatible						
	Type of piloting	Flow direction	Design	Product weight	Part no.	Type
	Direct	Reversible	One-way roller lever with idle return, Piston gate valve	255 g	8047104	VMEF-K-M52-M-N18
				286 g	8047106	VMEF-K-M52-M-N14

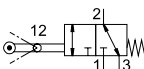
Swivel lever valve, switching range on both sides, poppet valve, 3/2-way valve, monostable, closed or open rest position, reset via mechanical spring						
	Type of piloting	Flow direction	Design	Product weight	Part no.	Type
	Direct	Reversible	Semi-rotary drive, Poppet seat	178 g	8048980	VMEF-VBT-M32-M-N14
					8048979	VMEF-VBT-M32-M-N18

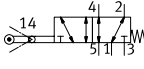
Swivel lever valve, switching range on both sides, 5/2-way valve, monostable, normally closed or open, reset via mechanical spring						
	Type of piloting	Flow direction	Design	Product weight	Part no.	Type
	Direct	Reversible	Piston gate valve, Semi-rotary drive	207 g	8048981	VMEF-VB-M52-M-N18
				238 g	8048982	VMEF-VB-M52-M-N14

Swivel lever valve, switching range right, poppet valve, 3/2-way valve, monostable, closed or open rest position, reset via mechanical spring						
	Type of piloting	Flow direction	Design	Product weight	Part no.	Type
	Direct	Reversible	Semi-rotary drive, Poppet seat	178 g	8048984	VMEF-VRT-M32-M-N14
					8048983	VMEF-VRT-M32-M-N18

Ordering data

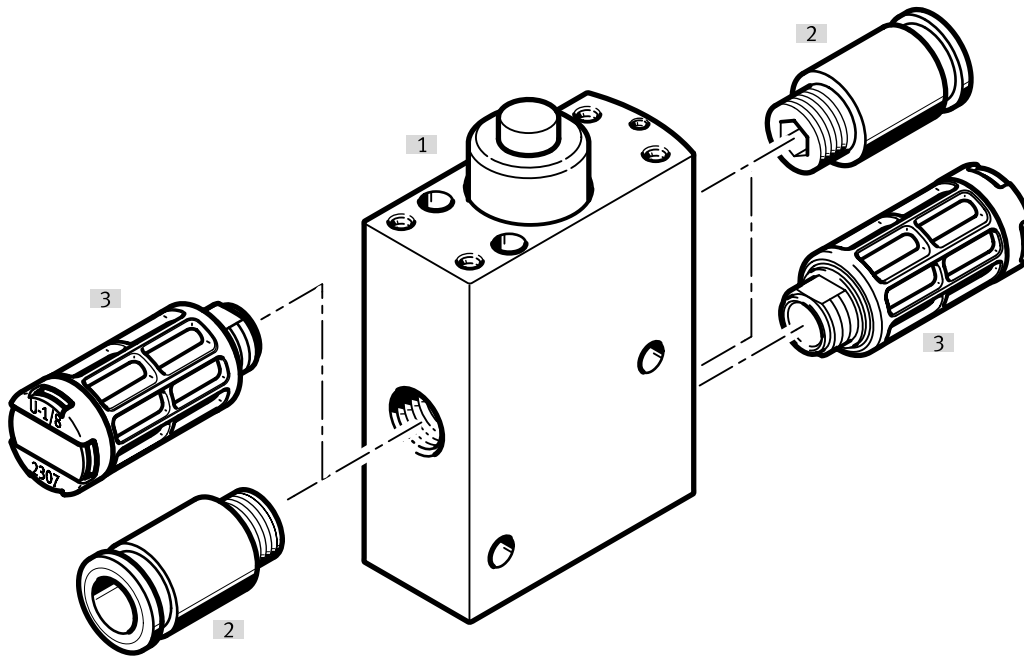
Swivel lever valve, switching range right, 5/2-way valve, monostable, normally closed or open, reset via mechanical spring						
	Type of piloting	Flow direction	Design	Product weight	Part no.	Type
	Direct	Reversible	Piston gate valve, Semi-rotary drive	207 g	8048985	VMEF-VR-M52-M-N18
				238 g	8048986	VMEF-VR-M52-M-N14

Swivel lever valve, switching range left, poppet valve, 3/2-way valve, monostable, closed or open rest position, reset via mechanical spring						
	Type of piloting	Flow direction	Design	Product weight	Part no.	Type
	Direct	Reversible	Semi-rotary drive, Poppet seat	178 g	8048988	VMEF-VLT-M32-M-N14
					8048987	VMEF-VLT-M32-M-N18

Swivel lever valve, switching range left, 5/2-way valve, monostable, normally closed or open, reset via mechanical spring						
	Type of piloting	Flow direction	Design	Product weight	Part no.	Type
	Direct	Reversible	Piston gate valve, Semi-rotary drive	207 g	8048989	VMEF-VL-M52-M-N18
				238 g	8048990	VMEF-VL-M52-M-N14

Peripherals

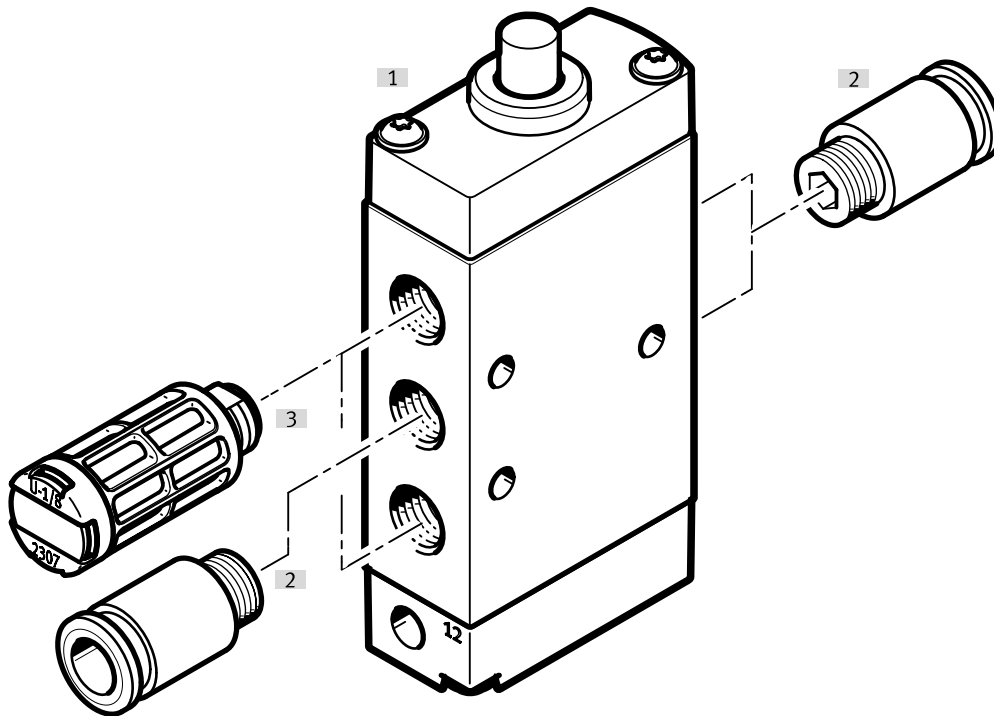
Peripherals overview, stem actuated valve 3/2



Accessories			→ Link
Type/order code	Description		
[1] 3/2-way valve	Stem actuated valve		vmef
[2] Fitting	For working air/exhaust air connections (1, 3, 5) and working connections (2, 4)		
[3] Silencer	For exhaust air connections (3, 5)		

Peripherals

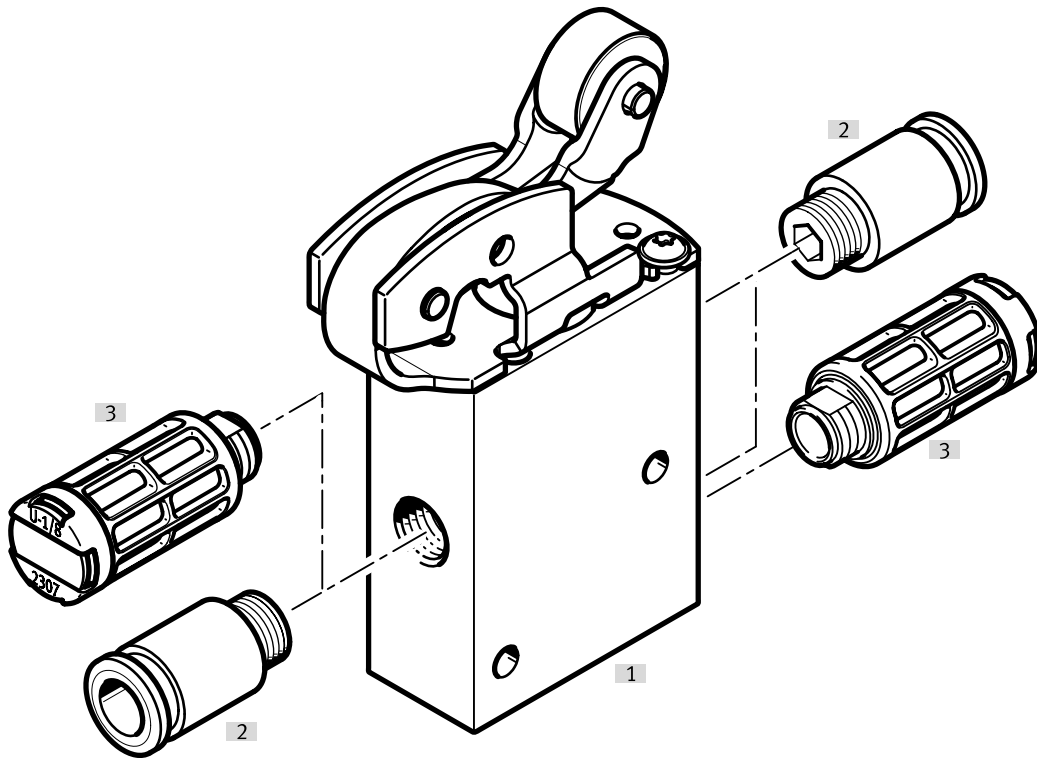
Peripherals overview, stem actuated valve 5/2



Accessories			→ Link
Type/order code	Description		
[1] 5/2-way valve	Stem actuated valve		vmef
[2] Fitting	For working air/exhaust air connections (1, 3, 5) and working connections (2, 4)		
[3] Silencer	For exhaust air connections (3, 5)		

Peripherals

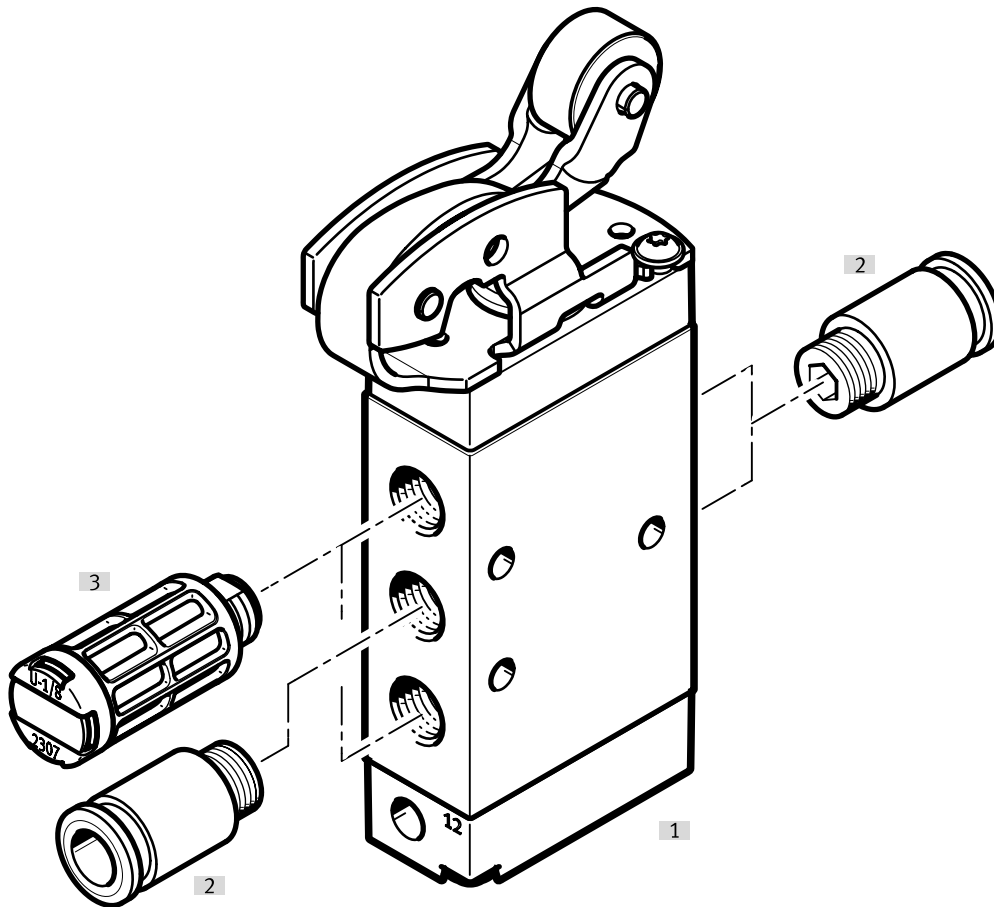
Peripherals overview, roller lever valve 3/2



Accessories		→ Link
Type/order code	Description	
[1] 3/2-way valve	Stem actuated valve with roller lever attachment	vmef
[2] Fitting	For working air/exhaust air connections (1, 3, 5) and working connections (2, 4)	
[3] Silencer	For exhaust air connections (3, 5)	

Peripherals

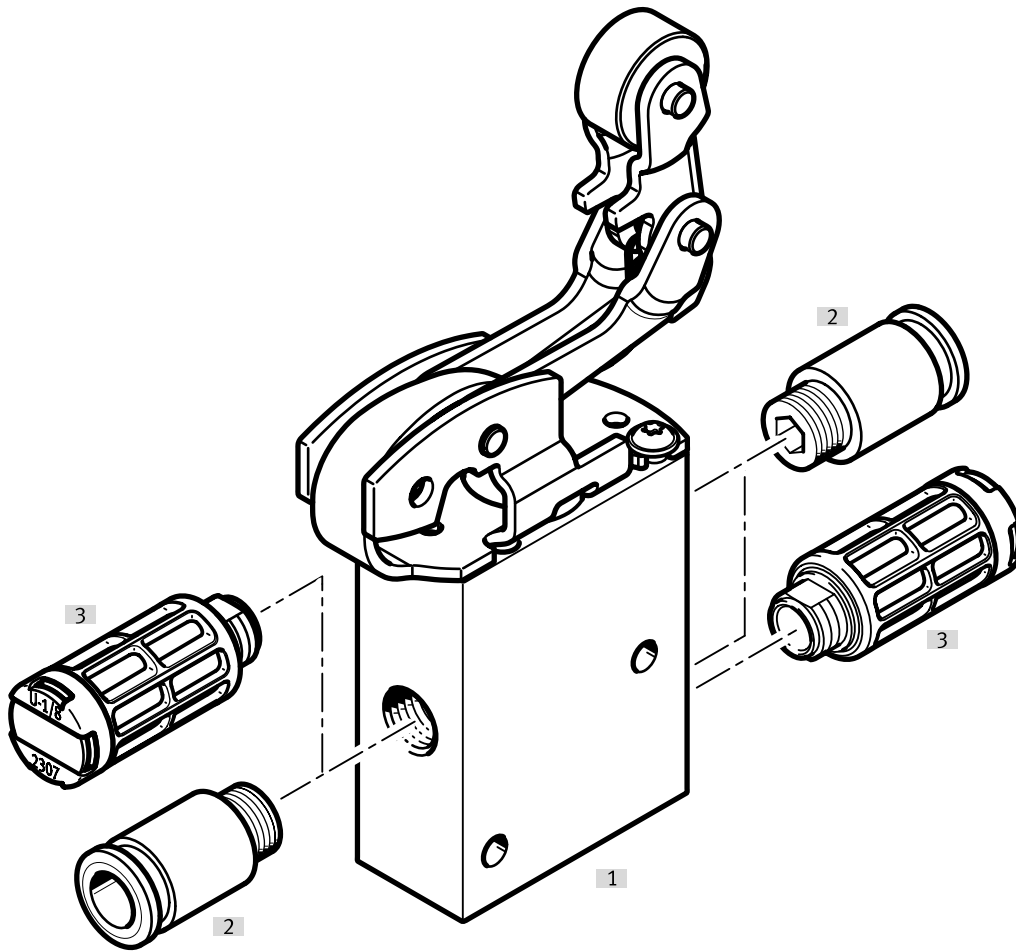
Peripherals overview, roller lever valve 5/2



Accessories			→ Link
Type/order code	Description		
[1] 5/2-way valve	Stem actuated valve with roller lever attachment		vmeff
[2] Fitting	For working air/exhaust air connections (1, 3, 5) and working connections (2, 4)		
[3] Silencer	For exhaust air connections (3, 5)		

Peripherals

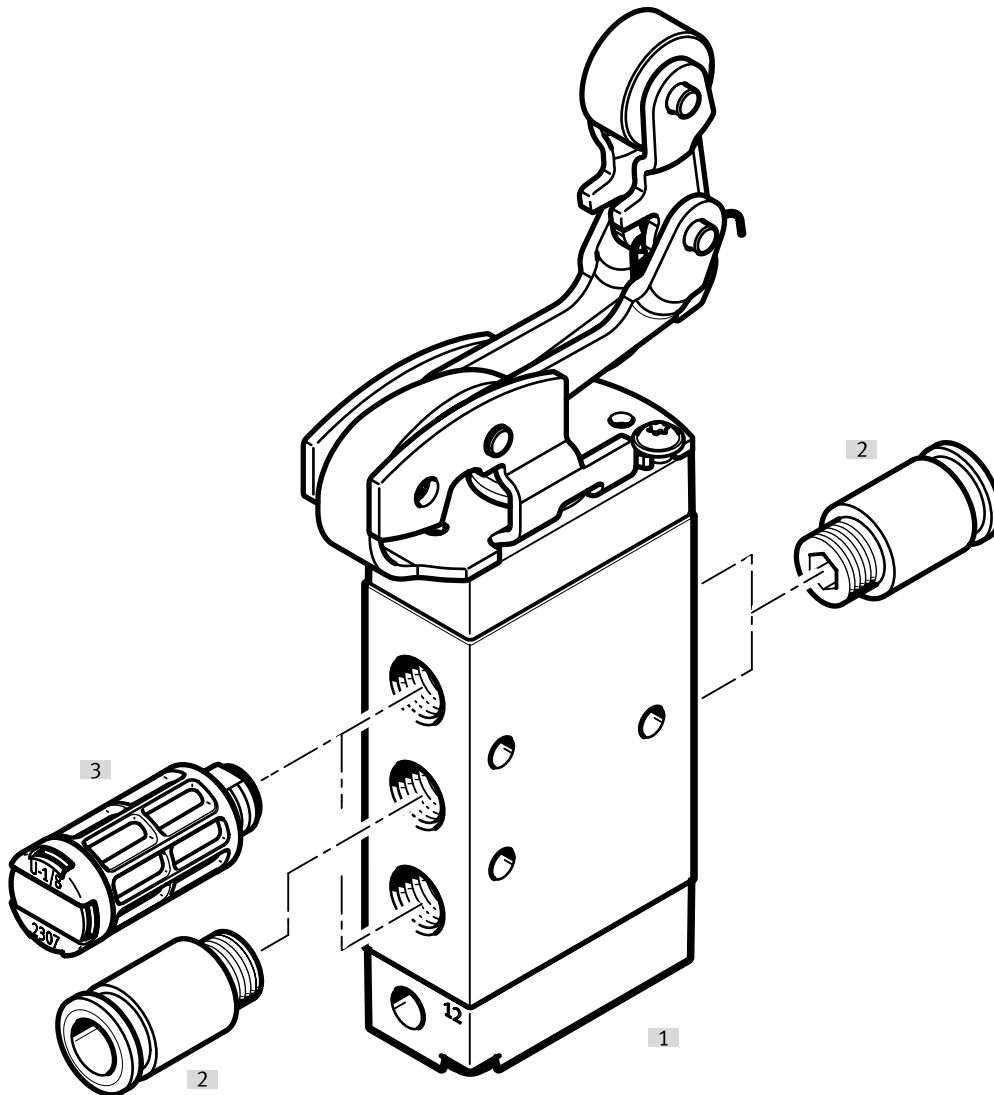
Peripherals overview, roller lever valve with idle return 3/2



Accessories		→ Link
Type/order code	Description	
[1] 3/2-way valve	Stem actuated valve with idle return roller lever attachment	vmef
[2] Fitting	For working air/exhaust air connections (1, 3, 5) and working connections (2, 4)	
[3] Silencer	For exhaust air connections (3, 5)	

Peripherals

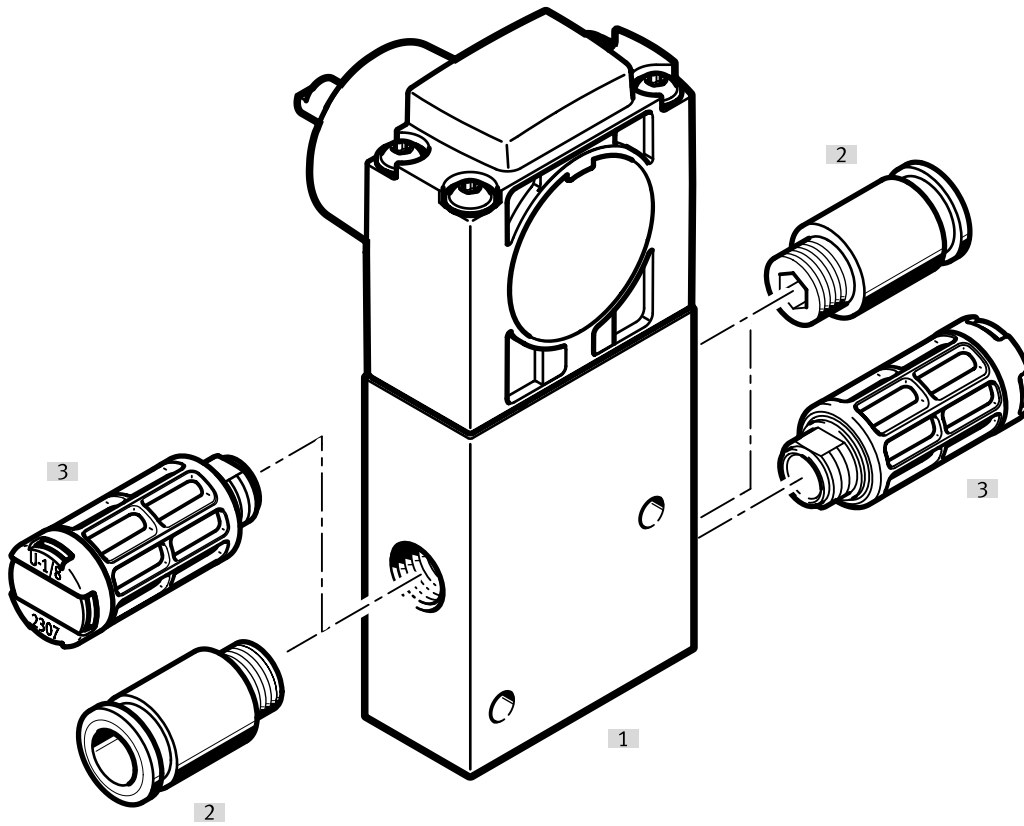
Peripherals overview, roller lever valve with idle return 5/2



Accessories			→ Link
Type/order code	Description		
[1]	5/2-way valve	Stem actuated valve with idle return roller lever attachment	vmef
[2]	Fitting	For working air/exhaust air connections (1, 3, 5) and working connections (2, 4)	
[3]	Silencer	For exhaust air connections (3, 5)	

Peripherals

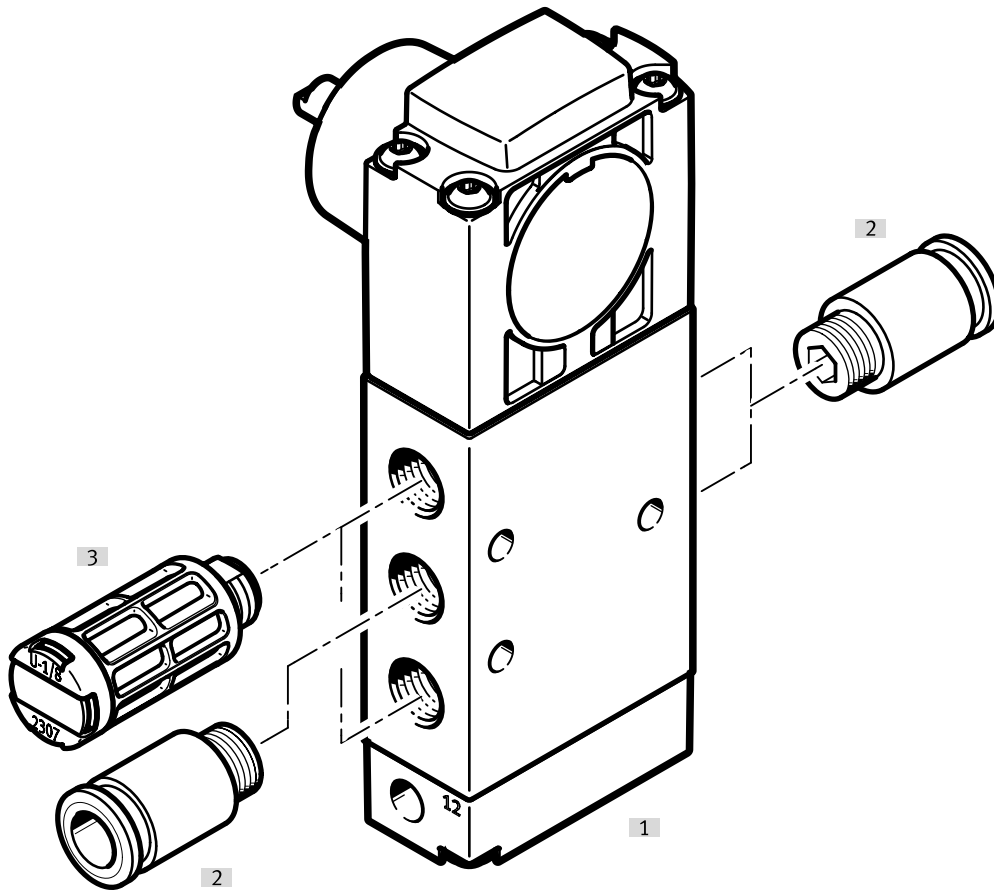
Peripherals overview, swivel lever valve 3/2



Accessories		→ Link
Type/order code	Description	
3/2-way valve		vmef
Fitting		
Silencer		


Peripherals


Peripherals overview, swivel lever valve 5/2





Accessories		→ Link
Type/order code	Description	
5/2-way valve		vmeff
Fitting		
Silencer		


Accessories


Roller lever, for 3/2-way valves, with retaining screws			
	Type of mounting	Part no.	Type
	Screw-clamped	8049235	VAOM-R4-20-D1-32

Roller lever, for 5/2-way valves, with retaining screws			
	Type of mounting	Part no.	Type
	Screw-clamped	8049233	VAOM-R4-20-D1-52


Roller lever with idle return, for 3/2-way valves, with retaining screws			
	Type of mounting	Part no.	Type
	Screw-clamped	8049237	VAOM-R4-20-D2-32


Roller lever with idle return, for 5/2-way valves, with retaining screws			
	Type of mounting	Part no.	Type
	Screw-clamped	8049236	VAOM-R4-20-D2-52


Short swivel lever			
	Product weight	Part no.	Type
	30 g	5835	ASK-02
		4789	ASS-02
	35 g	5836	ASL-02


Push-in fitting, straight, with internal hex					
	Pneumatic connection, port 1	Pneumatic connection, port 2	Packaging unit [units]	Part no.	Type
	Male thread 10-32 UNF-2A	For tubing outside diameter of 5/32"	10	★ 572312	QBM-10-32-UNF-5/32-I-U
	Male thread 1/8 NPT	For tubing outside diameter of 1/4"		572317	QB-1/8-5/32-I-U
				★ 572318	QB-1/8-1/4-I-U
	Male thread 1/4 NPT	For tubing outside diameter of 5/16"		572319	QB-1/8-5/16-I-U
		For tubing outside diameter of 3/8"		572321	QB-1/4-5/16-I-U
		For tubing outside diameter of 3/8"		572322	QB-1/4-3/8-I-U
		For tubing outside diameter of 1/2"		★ 567771	QB-1/4-1/2-U

Accessories

Push-in fitting, angled, with external hex					
	Pneumatic connection, port 1	Pneumatic connection, port 2	Packaging unit [units]	Part no.	Type
	Male thread 1/8 NPT	For tubing outside diameter of 5/32"	10	★ 533290	QBL-1/8-5/32-U
		For tubing outside diameter of 1/4"		★ 533292	QBL-1/8-1/4-U
		For tubing outside diameter of 5/16"		★ 533293	QBL-1/8-5/16-U
	Male thread 1/4 NPT	For tubing outside diameter of 5/16"	5	★ 533296	QBL-1/4-5/16-U
		For tubing outside diameter of 3/8"		★ 533297	QBL-1/4-3/8-U
		For tubing outside diameter of 1/2"		★ 567775	QBL-1/4-1/2-U

Push-in fitting, angled, long, with external hex					
	Pneumatic connection, port 1	Pneumatic connection, port 2	Packaging unit [units]	Part no.	Type
	Male thread 1/8 NPT	For tubing outside diameter of 5/32"	10	564668	QBL-1/8-5/32-U
		For tubing outside diameter of 1/4"		564670	QBL-1/8-1/4-U
		For tubing outside diameter of 5/16"		564671	QBL-1/8-5/16-U

Silencer, metal				
	Pneumatic connection	Product weight	Part no.	Type
	1/8 NPT	8 g	12638	U-1/8-B-NPT
	1/4 NPT	17 g	12639	U-1/4-B-NPT

Mounting kit for switching point adjustment				
	Product weight		Part no.	Type
	70 g		8060046	VAME-R4-20-PA