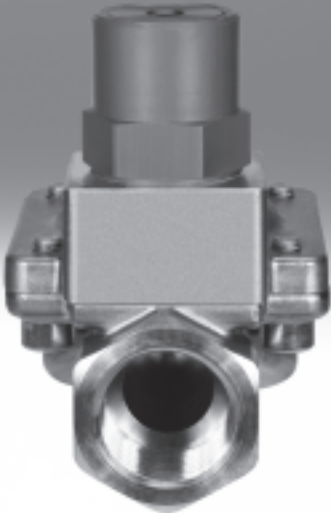




Pneumatic valves VLX



Pneumatic valves VLX

Product range overview and type codes

General information

-  - G $\frac{1}{4}$... G1
-  - Standard nominal flow rate
2,400 ... 14,000 l/min


Design

- Poppet valve, indirectly actuated with diaphragm control



Note

Attention: If the pressure is switched on, the valve will open briefly.

| Design | Type | Process valve connection | Nominal size DN | → Page/Internet |
|-----------------------------------------------------------------------------------|-----------|--------------------------|-----------------|-----------------|
|  | VLX-2-... | G $\frac{1}{4}$ | 13 | 3 |
| | | G $\frac{3}{8}$ | 13 | |
| | | G $\frac{1}{2}$ | 13 | |
| | | G $\frac{3}{4}$ | 20 | |
| | | G1 | 25 | |

VLX - 2 - $\frac{1}{4}$ - MS

Type

VLX Pneumatic valve

Connection

| | |
|-----|------------------------|
| G14 | Thread G $\frac{1}{4}$ |
| G38 | Thread G $\frac{3}{8}$ |
| G12 | Thread G $\frac{1}{2}$ |
| G34 | Thread G $\frac{3}{4}$ |
| G1 | Thread G1 |

Material

MS Brass

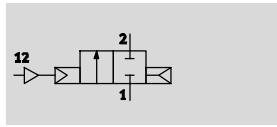
Design


- G thread


Pneumatic valves VLX

Technical data

Function



-  - Standard nominal flow rate
2,400 ... 14,000 l/min

-  - G $\frac{1}{4}$... G1

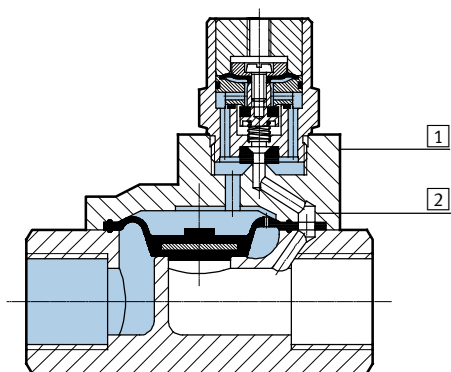


| General technical data | | | | | |
|-----------------------------|-------------------------------|-----------------|-----------------|-----------------|------------|
| | VLX-2-1/4-MS | VLX-2-3/8-MS | VLX-2-1/2-MS | VLX-2-3/4-MS | VLX-2-1-MS |
| Process valve connection | G $\frac{1}{4}$ | G $\frac{3}{8}$ | G $\frac{1}{2}$ | G $\frac{3}{4}$ | G1 |
| Nominal size DN | 13 | 13 | 13 | 20 | 25 |
| Auxiliary pilot air port 12 | M5 | | | | |
| Valve function | 2/2-way, single pilot, closed | | | | |
| Design | Diaphragm valve | | | | |
| Type of mounting | In-line installation | | | | |
| Actuation type | Pneumatic | | | | |
| Type of control | Piloted | | | | |
| Reset method | Pneumatic spring | | | | |
| Mounting position | Any | | | | |
| Sealing principle | Soft | | | | |
| Direction of flow | Non-reversible | | | | |
| Exhaust function | No flow control | | | | |
| Product weight [g] | 490 | 470 | 450 | 1,135 | 1,010 |

| Operating and environmental conditions | | | | | |
|----------------------------------------|-----------------------------------------------------------|--------------|--------------|--------------|------------|
| | VLX-2-1/4-MS | VLX-2-3/8-MS | VLX-2-1/2-MS | VLX-2-3/4-MS | VLX-2-1-MS |
| Standard nominal flow rate [l/min] | 2,400 | 3,800 | 4,000 | 10,500 | 14,000 |
| Operating pressure [bar] | 1 ... 10 | | | | |
| Medium | Filtered compressed air, degree of filtration 200 μ m | | | | |
| Pilot medium | Compressed air to ISO 8573-1:2010 [7:-:-] | | | | |
| Ambient temperature [°C] | -10 ... 60 | | | | |
| Temperature of medium [°C] | -10 ... 80 | | | | |

Materials

Sectional view



| Pneumatic valves | |
|--------------------------|----------------------------|
| 1 Housing | Brass |
| 2 Screws | High-alloy stainless steel |
| - Material number, screw | 1.4301 |

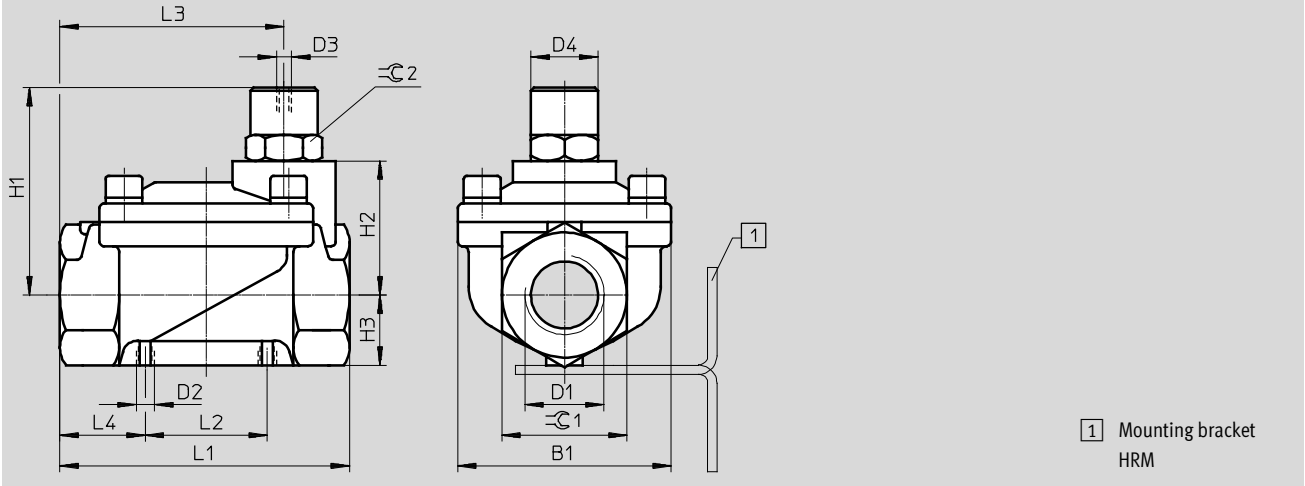
Pneumatic valves VLX

Technical data

FESTO

Dimensions

Download CAD data → www.festo.com



| Type | B1 | D1 | D2 | D3 | D4 Ø | H1 | H2 | H3 | L1 | L2 | L3 | L4 | ∅ 1 | ∅ 2 |
|--------------|----|------|----|----|---------|------|------|------|----|----|------|----|-----|-----|
| VLX-2-1/4-MS | 48 | G1/4 | M4 | M5 | 22 | 56.5 | 32.5 | 15.5 | 67 | 25 | 47 | 21 | 27 | 22 |
| VLX-2-3/8-MS | 48 | G3/8 | M4 | M5 | 22 | 56.5 | 32.5 | 15.5 | 67 | 25 | 47 | 21 | 27 | 22 |
| VLX-2-1/2-MS | 48 | G1/2 | M4 | M5 | 22 | 56.5 | 32.5 | 15.5 | 67 | 25 | 47 | 21 | 27 | 22 |
| VLX-2-3/4-MS | 70 | G3/4 | M6 | M5 | 22 | 68 | 44 | 23 | 95 | 40 | 73.5 | 28 | 41 | 22 |
| VLX-2-1-MS | 70 | G1 | M6 | M5 | 22 | 68 | 44 | 23 | 95 | 40 | 73.5 | 28 | 41 | 22 |

Ordering data

| | Process valve connection | Part No. | Type |
|--|--------------------------|----------|--------------|
| | G1/4 | 34432 | VLX-2-1/4-MS |
| | G3/8 | 34433 | VLX-2-3/8-MS |
| | G1/2 | 34434 | VLX-2-1/2-MS |
| | G3/4 | 34435 | VLX-2-3/4-MS |
| | G1 | 34436 | VLX-2-1-MS |

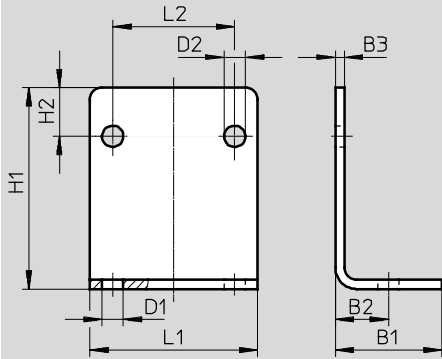
Pneumatic valves VLX

Accessories

FESTO

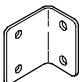
Dimensions

Download CAD data → www.festo.com



| Type | B1 | B2 | B3 | D1 Ø | D2 Ø | H1 | H2 | L1 | L2 ±0.1 |
|-------|----|------|----|---------|---------|----|----|----|------------|
| HRM-1 | 25 | 12.5 | 2 | 6 | 5 | 37 | 10 | 40 | 25 |
| HRM-2 | 35 | 17.5 | 3 | 7 | 7 | 66 | 16 | 55 | 40 |

Ordering data

| | Mounting bracket | Part No. | Type |
|-------------------------------------------------------------------------------------|------------------------------------------|-------------|--------------|
|  | For type VLX-2-1/4, VLX-2-3/8, VLX-2-1/2 | 9769 | HRM-1 |
| | For type VLX-2-3/4, VLX-2-1 | 9770 | HRM-2 |