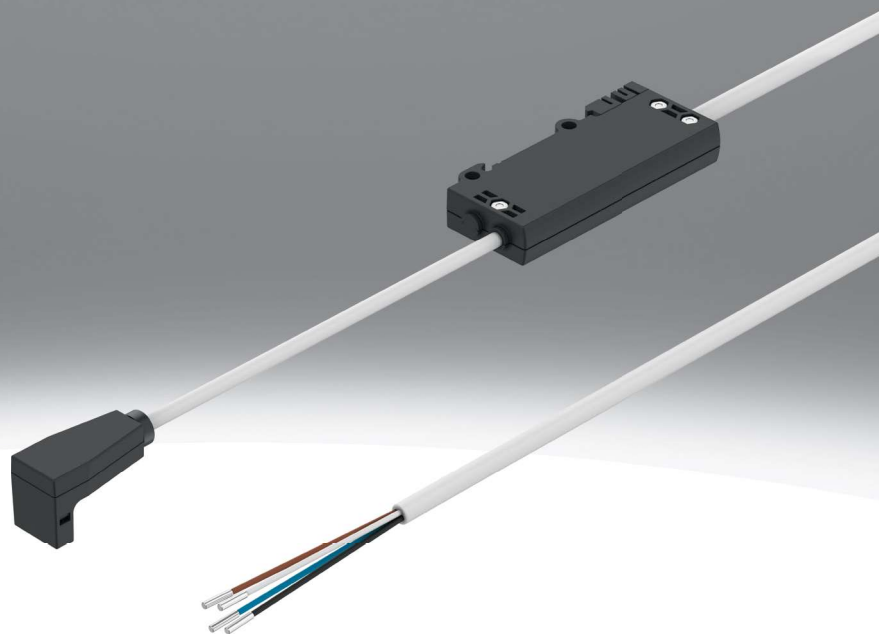


Electric connecting component for VEMP, VEMC, VEMR, VEAE

FESTO



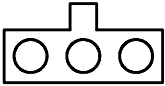
Characteristics

At a glance

General information:

- For electrical control of the piezo valves VEMP and VEMC
- For the electrical actuation of the piezo valves VEMR and VEAE via an adapter of the type NEFV-V13/NEFV-V14
- With protective circuit
- Cable length 0.5 m

Electrical connection



1 2 3

Wiring (socket view)

VAVE-P12-TP-5YL1-P:

- Pin 1:Function VEMP, VEAE and VEMR earth; output 0 V DC
- Pin 2:Function VEMP piezo actuator 1; function VEAE and VEMR piezo valve 1; output 0 ... 310 V DC
- Pin 3:Function VEMP piezo actuator 2; function VEAE and VEMR piezo valve 2; output 0 ... 310 V DC

VAVE-P17-TP-5YL1-P:

- Pin 1:Function VEMC piezo actuator 1; output 0 ... 310 V DC
- Pin 2:Function VEMC earth; output 0 V DC
- Pin 3:Function VEMC piezo actuator 2; output 0 ... 310 V DC

Datasheet

General technical data

Operational voltage range DC	12 ... 24 V
Product weight	35 g
Type of mounting	Direct mounting via through-hole With H-rail
Mounting position	optional
Degree of protection	IP40
Protective conductor connection	Not available
Additional functions	Protective circuit
Power consumption at 24VDC	1.2 W
Max. output current	5 mA
Adjustable output voltage	0 ... 310 V
Nominal operating voltage DC	12 ... 24 V
Reverse polarity protection	For operating voltage
Voltage external setpoint input	0 ... 10 V
Input resistance setpoint input	10 kOhm
Max. tightening torque	52.5 Ncm
Bending radius, fixed cable	13.5 mm
Bending radius, moving cable	45 mm

Technical data - Electrical connection 1

Electrical connection 1, connection type	Socket
Electrical connection 1, function	Field device side
Electrical connection 1, design	Angular
Electrical connection 1, connector system	Festo-specific coding
Electrical connection 1, number of connections/cores	3
Electrical connection 1, used connections/cores	3
Electrical connection 1, type of mounting	Plug-in

Technical data - Electrical connection 2

Electrical connection 2, connection type	Cable
Electrical connection 2, function	Controller side
Electrical connection 2, cable outlet	Straight
Electrical connection 2, number of connections/cores	4
Electrical connection 2, used connections/cores	4
Cable diameter	4.5
Wire ends	Wire ferrule

Materials

Material housing	PA
Housing colour	Black
Material cable sheath	PVC
Note on materials	RoHS-compliant
Material cover	PA

Datasheet

Operating and ambient conditions

Ambient temperature	-10 ... 60°C
Storage temperature	-40 ... 80°C
Corrosion resistance class CRC ¹⁾	1 - Low corrosion stress
CE mark (see declaration of conformity) ²⁾	To EU EMC Directive
UKCA marking (see declaration of conformity) ³⁾	To UK instructions for EMC
KC mark	KC-EMV
Approval	RCM trademark

1) Further information www.festo.com/x/topic/kbk

2) For information about the area of use, see the declaration of conformity at: [www.festo.com/catalogue/... d Support/Downloads](http://www.festo.com/catalogue/...d/Support/Downloads).

If the devices are subject to usage restrictions in residential, commercial or light-industrial environments, further measures for the reduction of the emitted interference may be necessary.

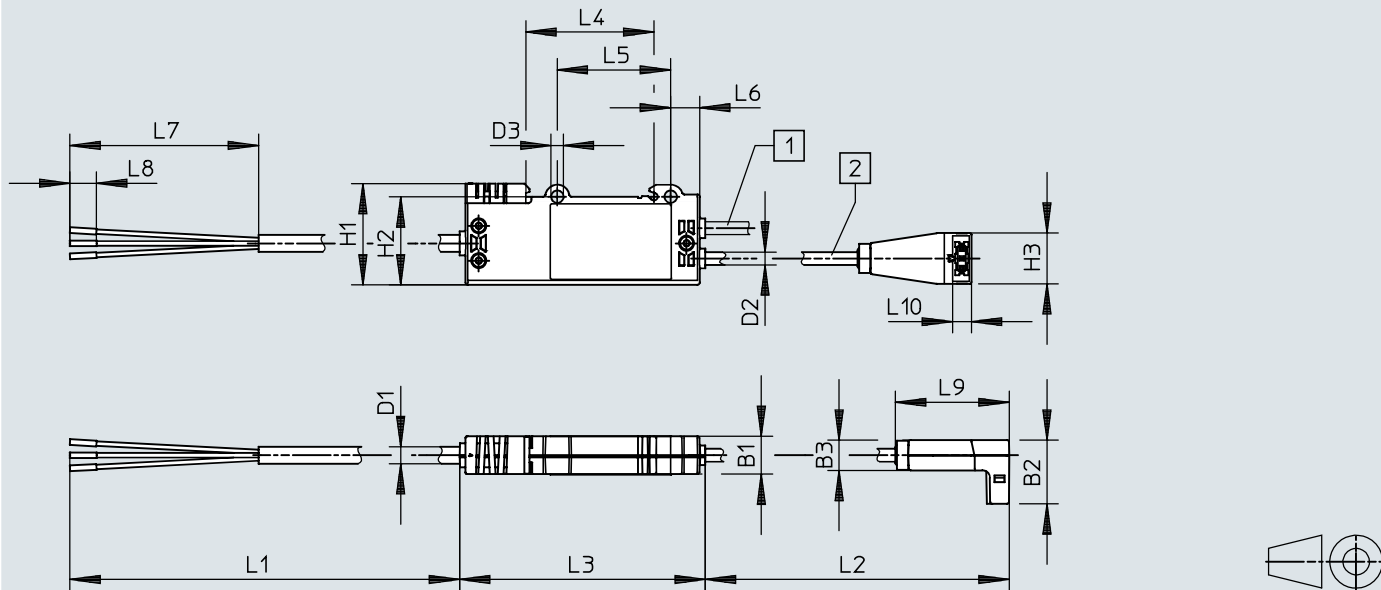
3) For information about the area of use, see the declaration of conformity at: [www.festo.com/catalogue/... d Support/Downloads](http://www.festo.com/catalogue/...d/Support/Downloads).

If the devices are subject to usage restrictions in residential, commercial or light-industrial environments, further measures for the reduction of the emitted interference may be necessary.

Dimensions

Dimensions – VAVE-...


Download CAD data www.festo.com




- [1] VAVE-P17 (VEMC only)
- [2] VAVE-P12 (VEMP, VEAE, VEMR only)

	B1	B2	B3	D1 ∅	D2 ∅	D3 ∅	H1	H2	H3	L1	L2	L3	L4	L5	L6	L7	L8	L9	
VAVE-P12-TP-5YL1-P	10	16.9	8	4.5	3.4	3.4	26.8	23.3	13.5	500	130	65	33.9	30	7.7	50	7	30	
VAVE-P17-TP-5YL1-P																			

Ordering data

VAVE-P12-..., for electrical control of the piezo valve VEMP, for electrical control of the piezo valves VEMR and VEAAE via an adapter of the type NEFV-V13/NEFV-V14				
	Cable diameter	Cable length	Part no.	Type
	4.5 mm	0.5 m	8109875	VAVE-P12-TP-5YL1-P

VAVE-P17-..., for the electrical actuation of the piezo valve VEMC				
	Cable diameter	Cable length	Part no.	Type
	4.5 mm	0.5 m	8109876	VAVE-P17-TP-5YL1-P