

Ball valve VAPB

FESTO



Characteristics

At a glance

High-quality brass ball valve with full opening for industrial use.

With mounting flange according to DIN/ISO 5211, specially designed for automation with pneumatic or electric actuators.

- Blow-out proof shaft, mounted from the inside
- Overall length according to DIN 3202-M3
- Centring attachment for simple and precise automation
- O-ring seal on the shaft for vacuum insert
- 2 leakage channels in the top flange
- Spindle with female thread for mounting a hand lever

Type code

001	Series	
VAPB	Ball valve	

002	Nominal diameter DN	
1/4	1/4"	
3/8	3/8"	
1/2	1/2"	
3/4	3/4"	
1	1"	
1 1/4	1 1/4"	
1 1/2	1 1/2"	
2	2"	
2 1/2	2 1/2"	

003	Process valve connection type 1	
RP	Rp female thread	

004	Nominal pressure [bar]	
25	25	
40	40	

005	Flanged connection	
F03	Hole pattern 03	
F0304	Hole pattern 03 and 04	
F0405	Hole pattern 04 and 05	
F07	Hole pattern 07	

006	Housing material	
B1	Brass	

Datasheet

General technical data, 2-way

Connection Process valve	Rp1/4	Rp3/8	Rp1/2	Rp3/4	Rp1	Rp1 1/2	Rp1 1/4	Rp2	Rp2 1/2	
Nominal size DN	8	10	15	20	25	40	32	50	65	
Valve function	2/2					–	2/2			
Design	2-way ball valve									
Sealing principle	Soft									
Type of actuation	Mechanical									
Switching position indicator	Slot direction = flow direction									
Flow direction	Reversible									
Type of mounting	In-line installation									
Mounting position	optional									
Based on standard	ISO 5211									
Inside diameter	10 mm		15 mm	20 mm	25 mm	40 mm	32 mm	50 mm	63 mm	
Flow rate Kv	5.9 m ³ /h	9.4 m ³ /h	17 m ³ /h	41 m ³ /h	70 m ³ /h	200 m ³ /h	121 m ³ /h	292 m ³ /h	535 m ³ /h	

Operating and ambient conditions, 2-way

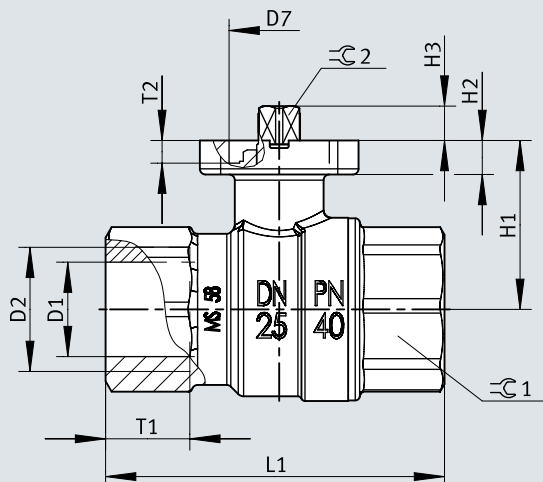
Connection Process valve	Rp1/4	Rp3/8	Rp1/2	Rp3/4	Rp1	Rp1 1/2	Rp1 1/4	Rp2	Rp2 1/2	
Medium	Compressed air to ISO 8573-1:2010 [---], Inert gases, Water, Neutral fluids									
Nominal pressure PN	40					25	40	25		
Media temperature	-20 ... 150°C									
Breakaway torque at differential pressure, nominal pressure, process valve PN	5 Nm			6 Nm	8.5 Nm	19 Nm	15 Nm	29 Nm	45 Nm	
Break-away torque at a differential pressure of 1 MPa (10 bar, 145 psi)	3.5 Nm			5.1 Nm	7.2 Nm	14.9 Nm	11.9 Nm	22 Nm	33 Nm	

Materials, 2-way

Material housing	Brass, nickel-plated, Brass
Material seat seal	PTFE
Material number housing	2.0402, CW617N
Material ball	Brass, Hard-chrome-plated
Material number ball	2.0401, 2.0402, CW614N, CW617N
Material shaft	Brass
Material number shaft	2.0401, CW614N
Material seals	HNBR, PTFE
Note on materials	RoHS-compliant
LABS (PWIS) conformity	VDMA24364 zone III

Dimensions

Dimensions – Ball valves VAPB, 2-way

Download CAD data www.festo.com

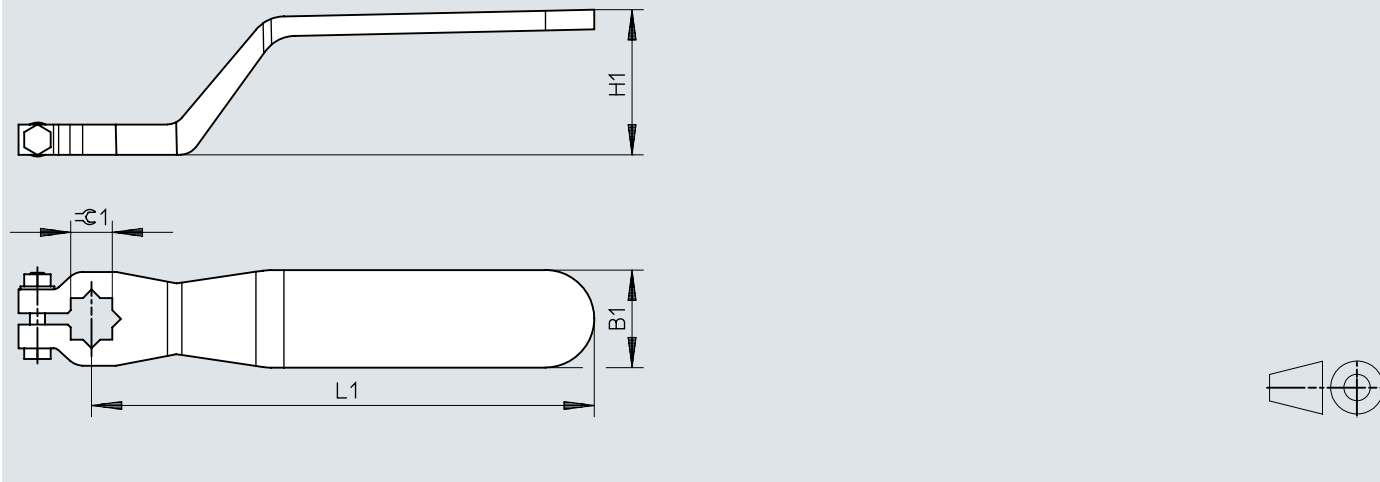
[1] Switching position indicator: the slot direction corresponds to the flow direction

	B1	D1	D2	D3	D4	D5	D6	D7	H1	H2	H3	L1	T1	T2	⊕ 1	⊕ 2
	max.	∅ min.		∅	∅	∅	∅	∅ H8				±1	max.	±1		h11
VAPB-1/4-F-40-F03	35	10	Rp1/4	5,5	–	36	–	25	38	9	9	75	15	6	26	9
VAPB-3/8-F-40-F03	35	10	Rp3/8	5,5	–	36	–	25	38	9	9	75	15	6	26	9
VAPB-1/2-F-40-F03	35	15	Rp1/2	5,5	–	36	–	25	38	9	9	75	15	6	26	9
VAPB-3/4-F-40-F03	45	20	Rp3/4	5,5	–	36	–	25	40,5	9	9	80	16	6	32	9
VAPB-1-F-40-F0304	55	25	Rp1	5,5	–	36	42	25	44	9	9	90	19	6	41	9
VAPB-1 1/4-F-40-F0405	65	32	Rp1 1/4	5,5	6,5	42	50	30	55	10	11	110	21	7	50	11
VAPB-1 1/2-F-40-F0405	75	40	Rp1 1/2	5,5	6,5	42	50	30	61,5	10	11	120	21	7	55	11
VAPB-2-F-25-F05	90	50	Rp2	6,5	–	50	–	35	73	12	14	140	25	7	70	14
VAPB-2 1/2-F-25-F07	110	63	Rp2 1/2	9,25	–	70	–	35		10	15,5	143	24	7	83	14

Dimensions

Dimensions – Hand lever VAOH

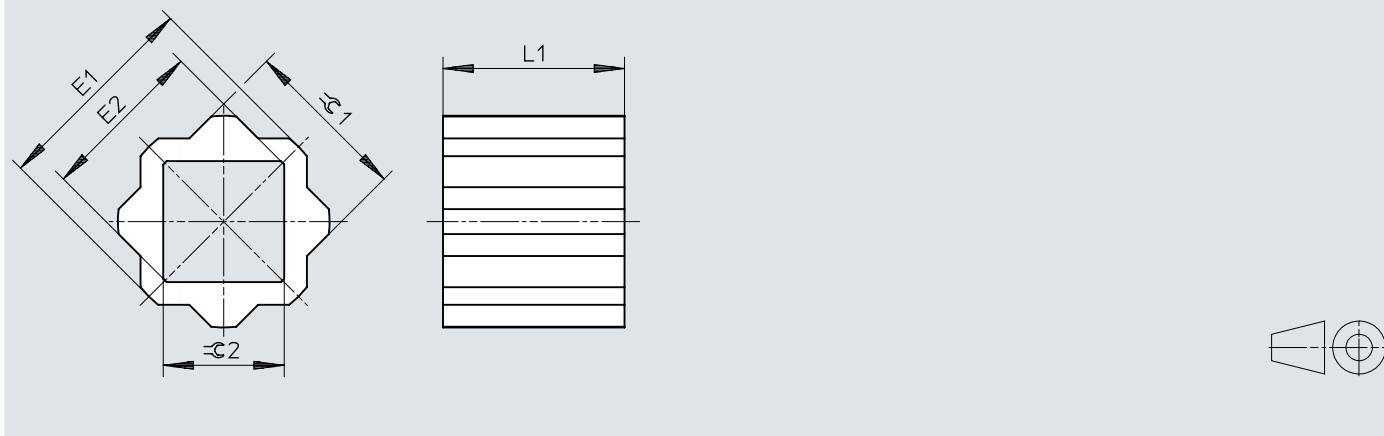
Download CAD data www.festo.com



		B1 ±5	H1 ±5	L1 ±10	$\varnothing 1$ ±0,5
VAOH-9-H9	Rp1/4 ... Rp1	21	36	120	9
VAOH-11-H9	Rp1 1/4 ... Rp1 1/2	26	40	140	11
VAOH-14-H9	Rp2 ... Rp2 1/2	31	46	180	14

Dimensions

Dimensions – Reducing sleeve DARQ

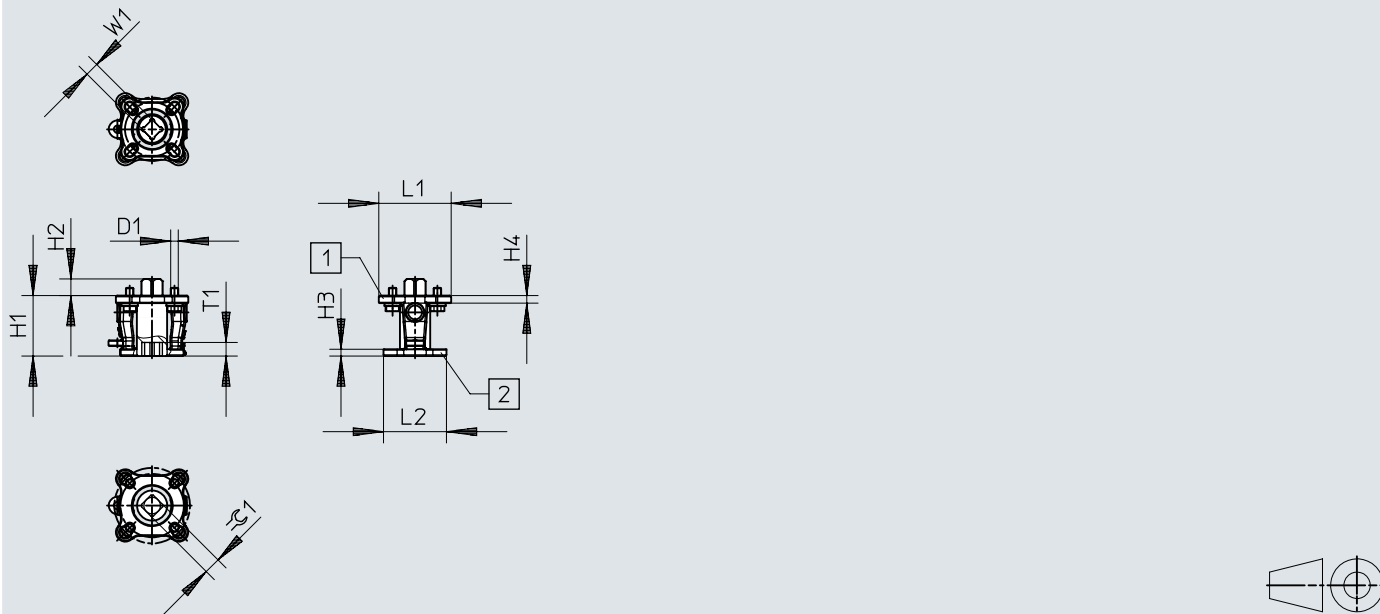
Download CAD data www.festo.com

	E1 +0,1/-0,3	E2 +0,3/-0,1	L1 ±0,2	∅ 1 -0,02/-0,12	∅ 2 +0,04/+0,18
DARQ-R-A-S11-S8-...	14	11	12	11	8
DARQ-R-A-S11-S9-...	14	12,3	11	11	9
DARQ-R-A-S14-S8-...	18	11	16	14	8
DARQ-R-A-S14-S9-...	18	12,3	16	14	9
DARQ-R-A-S14-S10-...	18	13,3	16	14	10
DARQ-R-A-S14-S11-...	18	14,3	16	14	11
DARQ-R-A-S14-S12-...	18	16,3	16	14	12
DARQ-R-A-S17-S8-...	22	11	17	17	8
DARQ-R-A-S17-S9-...	22	12,3	17	17	9
DARQ-R-A-S17-S11-...	22	14,3	17	17	11
DARQ-R-A-S17-S12-...	22	16,3	17	17	12
DARQ-R-A-S17-S14-...	22	18,3	17	17	14
DARQ-R-A-S22-S11-...	28	14,3	22	22	11
DARQ-R-A-S22-S14-...	28	18,3	22	22	14
DARQ-R-A-S22-S16-...	28	21,3	22	22	16
DARQ-R-A-S22-S17-...	28	22,3	22	22	17
DARQ-R-A-S27-S14-...	36	18,3	27	27	14
DARQ-R-A-S27-S17-...	36	22,3	27	27	17
DARQ-R-A-S27-S22-...	36	28,5	27	27	22
DARQ-R-A-S36-S22-...	48	28,5	36	36	22
DARQ-R-A-S36-S27-...	48	36,1	36	36	27
DARQ-R-A-S46-S36-...	59	48	46	46	36

Dimensions

Dimensions – Mounting kit DARQ

Download CAD data www.festo.com

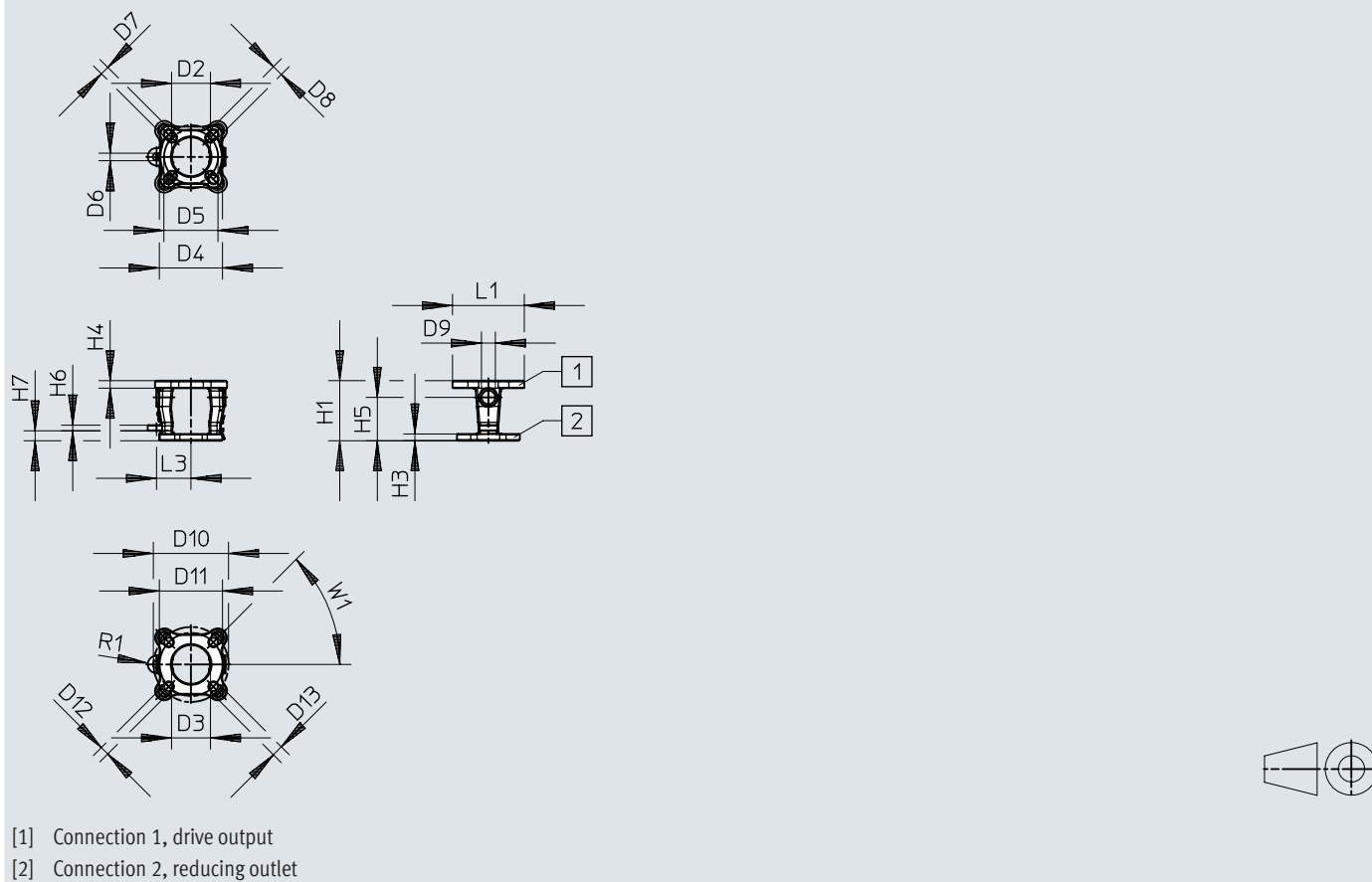


- [1] Connection 1, drive output
- [2] Connection 2, reducing outlet

	D1	H1	H2	H3	H4	L1	L2	T1	W1 H11	⊕ 1 h11
DARQ-K-V-F04S11-F03S9-...	M5	40	11	3,2	5	46	23	9	9	11
DARQ-K-V-F05S14-F03S9-...	M6	40	15	3,2	5	46	23	9	9	14
DARQ-K-V-F05S14-F04S11-...	M6	40	15	3,2	5	46	23	11	11	14
DARQ-K-V-F07S17-F04S11-...	M8	50	18	6	6	66	30,5	11	11	17
DARQ-K-V-F07S17-F05S14-...	M8	50	18	6	6	66	30,5	15	14	17
DARQ-K-V-F10S22-F05S14-...	M10	75	23	10	9,5	132,1	63	15	14	22
DARQ-K-V-F10S22-F07S17-...	M10	75	23	10	9,5	132,1	63	18	17	22

Dimensions

Dimensions – Mounting flange adapter DARQ-B-...R1

Download CAD data www.festo.com

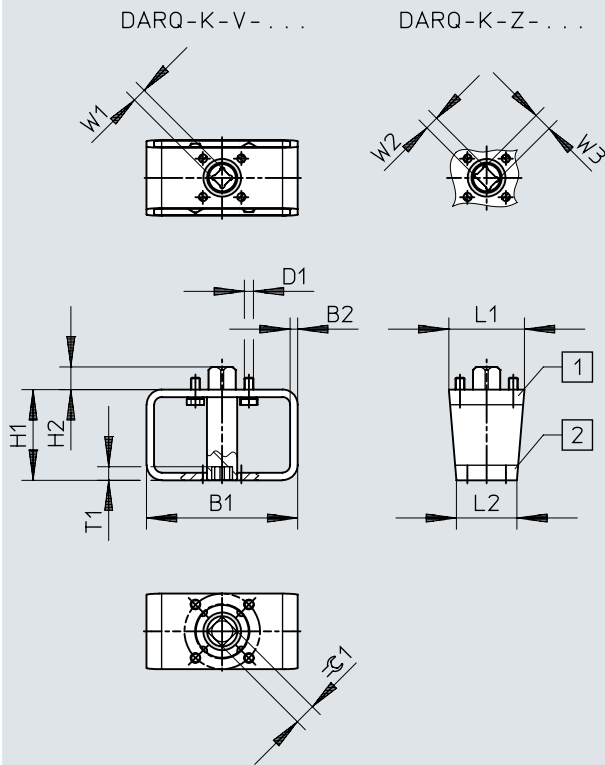
	D2 ø	D3 ø	D4 ø	D5 ø	D6 ø	D7 ø	D8 ø	D9 ø	D10 ø	D11 ø
DARQ-B-F0405-F0304-...	25,9	25,9	42	36	5,1	6,1	6,1	9,4	50	42
DARQ-B-F0507-F0405-...	30,5	36,8	50	42	5,1	7,6	6,6	10,9	70	50
DARQ-B-F0710-F0507-...	38,6	50	70	50	5,1	8,9	7,1	14	102	70
DARQ-B-F1012-F10-...	69,9	76,2	–	102	5,1	–	11,2	17,3	125	102

	D12 ø	D13 ø	H1	H3	H4	H5	H6	H7	L1	L3	W1
DARQ-B-F0405-F0304-...	6,1	7,6	39,9	3,2	5	28,2	3,8	7,1	46	22,9	45°
DARQ-B-F0507-F0405-...	7,6	10,2	50	6	6	36,3	3,8	7,1	66	30,5	45°
DARQ-B-F0710-F0507-...	8,9	10,9	74,9	9,5	9,5	50,5	3,8	7,1	102,1	39,1	45°
DARQ-B-F1012-F10-...	11,2	13	80	10	9,5	58,4	3,8	7,1	132,1	63	45°

Dimensions

Dimensions – Mounting kit DARQ

Download CAD data www.festo.com



- [1] Connection 1, drive output
- [2] Connection 2, reducing outlet

Dimensions

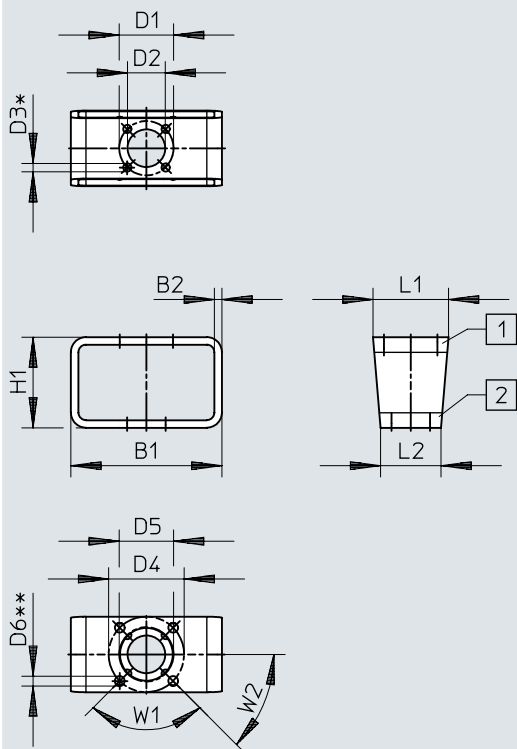
	B1	B2	D1	H1	H2	L1	L2	T1	W1 H11	≈ 1 h11
DARQ-K-V-F03S9-F03S9-...	80	4	M5	50	9	40	40	9	9	9
DARQ-K-V-F04S11-F03S9-...	80	4	M5	50	11	45	40	9	9	11
DARQ-K-V-F04S11-F04S11-...	80	4	M5	50	11	45	45	11	11	11
DARQ-K-V-F05S14-F03S9-...	100	5	M6	60	15	50	40	9	9	14
DARQ-K-V-F05S14-F04S11-...	100	5	M6	60	15	50	45	11	11	14
DARQ-K-V-F05S14-F05S14-...	100	5	M6	60	15	50	50	15	14	14
DARQ-K-V-F07S17-F03S9	100	5	M8	60	18	70	45	9	9	17
DARQ-K-V-F07S17-F04S11-...	100	5	M8	60	18	70	45	11	11	17
DARQ-K-V-F07S17-F05S14-...	100	5	M8	60	18	70	50	15	14	17
DARQ-K-V-F07S17-F07S14-...	100	5	M8	60	18	70	70	15	14	17
DARQ-K-V-F07S22-F05S11-...	100	5	M8	60	23	70	50	11	11	22
DARQ-K-V-F10S22-F04S11	120	5	M10	80	22	95	50	11	11	22
DARQ-K-V-F10S22-F05S14-...	120	5	M10	80	22,5	95	50	15	14	22
DARQ-K-V-F10S22-F07S17-...	120	5	M10	80	22,5	95	70	18	17	22
DARQ-K-V-F10S22-F10S22-...	120	5	M10	80	22,5	95	95	22,5	22	22
DARQ-K-V-F10S27-F05S14-...	120	5	M10	80	27,5	95	50	15	14	27
DARQ-K-V-F10S27-F07S14-...	120	5	M10	80	27,5	95	70	15	14	27
DARQ-K-V-F10S27-F07S17-...	120	5	M10	80	27,5	95	70	18	17	27
DARQ-K-V-F12S27-F05S14	160	6	M12	80	27	115	70	15	14	27
DARQ-K-V-F12S27-F07S14	160	6	M12	80	27	115	70	15	14	27
DARQ-K-V-F12S27-F07S17-...	160	6	M12	80	27	115	70	18	17	27
DARQ-K-V-F12S27-F10S22-...	160	6	M12	80	27	115	95	22,5	22	27
DARQ-K-V-F12S27-F12S27-...	160	6	M12	80	27	115	115	27,5	27	27

	B1	B2	D1	H1	H2	L1	L2	T1	W2 -0,1	W3 H11	≈ 1 h11
DARQ-K-Z-F03S9-F03S9-...	80	4	M5	50	9	40	40	14	9	12,1	9
DARQ-K-Z-F04S11-F03S9-...	80	4	M5	50	11	45	40	14	9	12,1	11
DARQ-K-Z-F04S11-F04S11-...	80	4	M5	50	11	45	45	17	11	14,1	11
DARQ-K-Z-F05S14-F03S9-...	100	5	M6	60	15	50	40	14	9	12,1	14
DARQ-K-Z-F05S14-F04S11-...	100	5	M6	60	15	50	45	17	11	14,1	14
DARQ-K-Z-F05S14-F05S14-...	100	5	M6	60	15	50	50	21	14	18,1	14
DARQ-K-Z-F07S17-F04S11-...	100	5	M8	60	18	70	45	17	11	14,1	17
DARQ-K-Z-F07S17-F05S14-...	100	5	M8	60	18	70	50	21	14	18,1	17
DARQ-K-Z-F07S17-F07S14-...	100	5	M8	60	18	70	70	21	14	18,1	17
DARQ-K-Z-F10S22-F05S14-...	120	5	M10	80	22,5	95	50	21	14	18,1	22
DARQ-K-Z-F10S22-F07S17-...	120	5	M10	80	22,5	95	70	26	17	22,2	22
DARQ-K-Z-F10S22-F10S22-...	120	5	M10	80	22,5	95	95	33	22	28,2	22

Dimensions

Dimensions – Mounting adapter DARQ

Download CAD data www.festo.com




- [1] Drive outlet flange 1
- [2] Reducing outlet flange 2
- [3] * = N1 (number of holes flange 1)
- [4] ** = N2 (number of holes flange 2)

Dimensions

	B1	B2	D1 ∅	D2 ∅	D3 ∅	D4 ∅	D5 ∅	D6 ∅	H1	L1	L2	*N1	**N2	W1	W2
DARQ-B-F03-F03-...	80	4	36	25	5,5	36	25	5,5	50	40	40	4	4	90°	45°
DARQ-B-F04-F03-...	80	4	36	25	5,5	42	30	5,5	50	45	40	4	4	90°	45°
DARQ-B-F04-F04-...	80	4	42	30	5,5	42	30	5,5	50	45	45	4	4	90°	45°
DARQ-B-F05-F03-...	100	5	36	25	5,5	50	35	6,5	60	50	40	4	4	90°	45°
DARQ-B-F05-F04-...	100	5	42	30	5,5	50	35	6,5	60	50	45	4	4	90°	45°
DARQ-B-F05-F05-...	100	5	50	35	6,5	50	35	6,5	60	50	50	4	4	90°	45°
DARQ-B-F07-F04-...	100	5	42	30	5,5	70	55	9	60	70	45	4	4	90°	45°
DARQ-B-F07-F05-...	100	5	50	35	6,5	70	55	9	60	70	50	4	4	90°	45°
DARQ-B-F07-F07-...	100	5	70	55	9	70	55	9	60	70	70	4	4	90°	45°
DARQ-B-F10-F05-...	120	5	50	35	6,5	102	70	11	80	95	50	4	4	90°	45°
DARQ-B-F10-F07-...	120	5	70	55	9	102	70	11	80	95	70	4	4	90°	45°
DARQ-B-F10-F10-...	120	5	102	70	11	102	70	11	80	95	95	4	4	90°	45°
DARQ-B-F12-F07-...	160	6	70	55	9	125	85	13	80	115	70	4	4	90°	45°
DARQ-B-F12-F10-...	160	6	102	70	11	125	85	13	80	115	95	4	4	90°	45°
DARQ-B-F12-F12-...	160	6	125	85	13	125	85	13	80	115	115	4	4	90°	45°

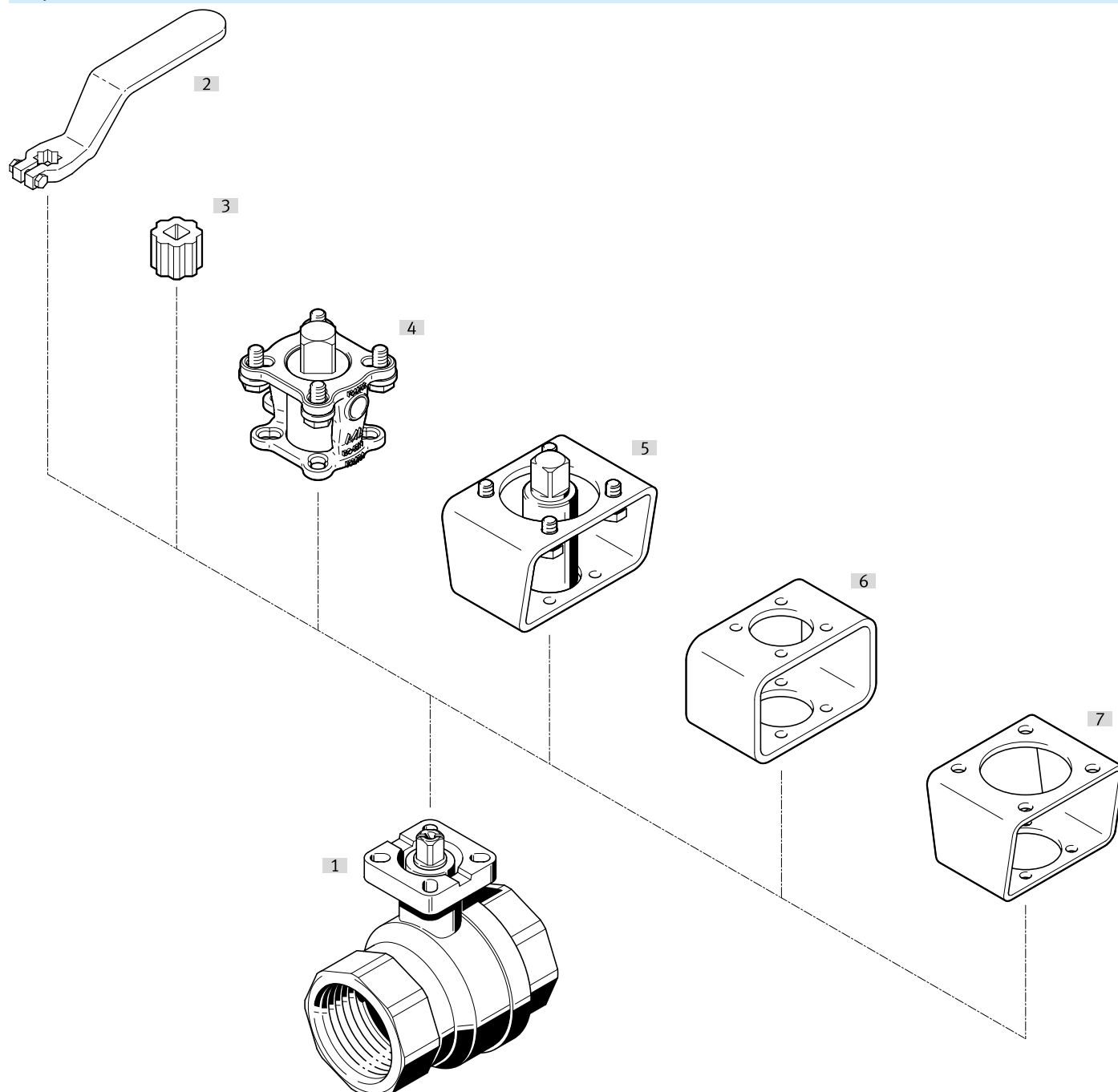
	B1	B2	D1 ∅	D2 ∅	D3 ∅	D4 ∅	D5 ∅	D6 ∅	H1	L1	L2	*N1	**N2	W1	W2
DARQ-B-F14-F10-...	160	6	102	70	11	140	100	17	80	135	95	4	4	90°	45°
DARQ-B-F14-F12-...	160	6	125	85	13	140	100	17	80	135	115	4	4	90°	45°
DARQ-B-F14-F14-...	160	6	140	100	17	140	100	17	80	135	135	4	4	90°	45°
DARQ-B-F16-F12-...	200	6	125	85	13	165	130	21	100	160	115	4	4	90°	45°
DARQ-B-F16-F14-...	200	6	140	100	17	165	130	21	100	160	135	4	4	90°	45°
DARQ-B-F16-F16-...	200	6	165	130	21	165	130	21	100	160	160	4	4	90°	45°
DARQ-B-F25-F14-...	400	10	140	100	17	254	200	17	200	270	135	8	4	45°	22,5°
DARQ-B-F25-F16-...	400	10	165	130	21	254	200	17	200	270	160	8	4	45°	22,5°
DARQ-B-F25-F25-...	400	10	254	200	17	254	200	17	200	270	270	8	4	45°	22,5°
DARQ-B-F30-F16-...	400	10	165	130	21	298	230	21	200	320	160	8	4	45°	22,5°
DARQ-B-F30-F25-...	400	10	254	200	17	298	230	21	200	320	270	8	4	45°	22,5°
DARQ-B-F30-F30-...	400	10	298	200	21	298	230	21	200	320	320	8	4	45°	22,5°

Ordering data

Ordering data				
	Connection Process valve	Product weight	Part no.	Type
	Rp1/4	500 g	534302	VAPB-1/4-F-40-F03
	Rp3/8		534303	VAPB-3/8-F-40-F03
	Rp1/2	400 g	534304	VAPB-1/2-F-40-F03
	Rp3/4	500 g	534305	VAPB-3/4-F-40-F03
	Rp1	800 g	534306	VAPB-1-F-40-F0304
	Rp1 1/2	1,900 g	534308	VAPB-1 1/2-F-25-F0405
	Rp1 1/4	1,300 g	534307	VAPB-1 1/4-F-40-F0405
	Rp2	3,100 g	534309	VAPB-2-F-25-F05
	Rp2 1/2		534310	VAPB-2 1/2-F-25-F07

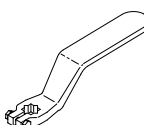
Peripherals

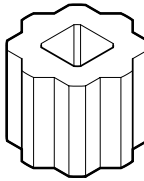
Peripherals overview




Accessories			→ Link
Type/order code	Description		
[1] Ball valve VAPB	Ball valves VAPB, 2-way		vapb
[2] Hand lever VAOH	High-alloy stainless steel		16
[3] Reducing sleeve DARQ	<ul style="list-style-type: none"> • Connection 1, drive outlet function • Connection 2, reducing outlet function 		16
[4] Mounting kit DARQ	<ul style="list-style-type: none"> • Connection 1, drive outlet function • Connection 2, reducing outlet function 		17
[5] Mounting kit DARQ-K...R13	<ul style="list-style-type: none"> • DARQ-K-V... (female square and male square) • DARQ-K-V... (two-flats and male square) 		18
[6] Mounting flange adapter DARQ	Drive outlet function		18
[7] Mounting flange adapter DARQ	Reducing outletfunction		18

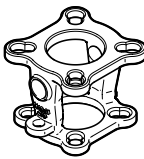
Accessories

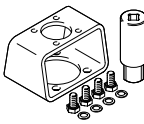
Hand lever VAOH				
	Description	Product weight	Part no.	Type
	For connection Rp1/4 ... Rp1	100 g	542702	VAOH-9-H9
	For connection Rp1 1/4 ... Rp1 1/2	200 g	542703	VAOH-11-H9
	For connection Rp2 ... Rp2 1/2	300 g	542704	VAOH-14-H9

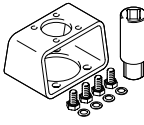
Reducing sleeve DARQ					
	Length		Part no.	Type	
	11 mm		8082140	DARQ-R-A-S11-S9-11-P10	
			8082131	DARQ-R-A-S11-S9-11-P5	
			8082117	DARQ-R-A-S11-S9-11	
			8082145	DARQ-R-A-S11-S9-11-P50	
	12 mm		8082130	DARQ-R-A-S11-S8-12-P5	
			8082116	DARQ-R-A-S11-S8-12	
		16 mm		8086383	DARQ-R-A-S14-S8-16
				8082120	DARQ-R-A-S14-S11-16
				8082121	DARQ-R-A-S14-S12-16
				8082147	DARQ-R-A-S14-S11-16-P50
			8082142	DARQ-R-A-S14-S11-16-P10	
			8082132	DARQ-R-A-S14-S9-16-P5	
			8082133	DARQ-R-A-S14-S11-16-P5	
			8086388	DARQ-R-A-S14-S8-16-P5	
			8082118	DARQ-R-A-S14-S9-16	
			8082146	DARQ-R-A-S14-S9-16-P50	
	17 mm		8082141	DARQ-R-A-S14-S9-16-P10	
			8082119	DARQ-R-A-S14-S10-16	
			8086384	DARQ-R-A-S17-S8-17	
			8086385	DARQ-R-A-S17-S12-17	
			8082122	DARQ-R-A-S17-S11-17	
			8082148	DARQ-R-A-S17-S11-17-P50	
			8096914	DARQ-R-A-S17-S9-17	
			8082134	DARQ-R-A-S17-S11-17-P5	
			8082135	DARQ-R-A-S17-S14-17-P5	
			8082143	DARQ-R-A-S17-S14-17-P10	
	22 mm		8086389	DARQ-R-A-S17-S12-17-P5	
			8082123	DARQ-R-A-S17-S14-17	
			8086386	DARQ-R-A-S22-S11-22	
			8082149	DARQ-R-A-S22-S17-22-P50	
			8082144	DARQ-R-A-S22-S17-22-P10	
			8082126	DARQ-R-A-S22-S17-22	
			8082125	DARQ-R-A-S22-S16-22	
			8082136	DARQ-R-A-S22-S14-22-P5	
	27 mm		8082137	DARQ-R-A-S22-S17-22-P5	
			8082124	DARQ-R-A-S22-S14-22	
			8082127	DARQ-R-A-S27-S22-27	
			8082138	DARQ-R-A-S27-S22-27-P5	
	36 mm		8086387	DARQ-R-A-S27-S17-27	
			8082139	DARQ-R-A-S36-S27-36-P5	
			8082128	DARQ-R-A-S36-S27-36	
			8096913	DARQ-R-A-S27-S14-27	
46 mm		8096915	DARQ-R-A-S36-S22-36		
		8082129	DARQ-R-A-S46-S36-46		

Accessories

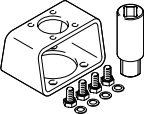
Mounting kit DARQ			
	Product weight	Part no.	Type
	232 g	8088299	DARQ-K-V-F04S11-F03S9-R1
	255 g	8088301	DARQ-K-V-F05S14-F03S9-R1
	342 g	8088297	DARQ-K-V-F05S14-F04S11-R1
	563 g	8088302	DARQ-K-V-F07S17-F04S11-R1
	771 g	8088303	DARQ-K-V-F07S17-F05S14-R1
	1,515 g	8088300	DARQ-K-V-F10S22-F05S14-R1
	2,010 g	8088298	DARQ-K-V-F10S22-F07S17-R1

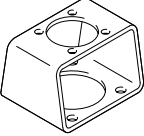
Mounting adapter DARQ			
	Product weight	Part no.	Type
	120 g	8087462	DARQ-B-F0405-F0304-R1
	300 g	8087463	DARQ-B-F0507-F0405-R1
	950 g	8087464	DARQ-B-F1012-F10-R1
	1,610 g	8087465	DARQ-B-F0710-F0507-R1

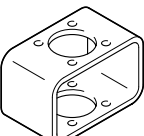
Mounting kit DARQ-K-V-...R13			
	Product weight	Part no.	Type
	392 g	8084186	DARQ-K-V-F03S9-F03S9-R13
	410 g	8084187	DARQ-K-V-F04S11-F03S9-R13
	480 g	8084188	DARQ-K-V-F04S11-F04S11-R13
	630 g	8084189	DARQ-K-V-F05S14-F03S9-R13
	725 g	8084190	DARQ-K-V-F05S14-F04S11-R13
	823 g	8084192	DARQ-K-V-F07S17-F04S11-R13
	830 g	8084191	DARQ-K-V-F05S14-F05S14-R13
	866 g	8132814	DARQ-K-V-F07S17-F03S9-R13
	926 g	8084193	DARQ-K-V-F07S17-F05S14-R13
	980 g	8084194	DARQ-K-V-F07S17-F07S14-R13
	986 g	8084195	DARQ-K-V-F07S22-F05S11-R13
	1,410 g	8133487	DARQ-K-V-F10S22-F04S11-R13
	1,432 g	8084196	DARQ-K-V-F10S22-F05S14-R13
	1,935 g	8084199	DARQ-K-V-F10S27-F05S14-R13
	2,045 g	8084197	DARQ-K-V-F10S22-F07S17-R13
	2,113 g	8084198	DARQ-K-V-F10S22-F10S22-R13
	2,116 g	8084200	DARQ-K-V-F10S27-F07S17-R13
	2,134 g	8086439	DARQ-K-V-F10S27-F07S14-R13
	2,615 g	8084201	DARQ-K-V-F12S27-F07S17-R13
	2,655 g	8131545	DARQ-K-V-F12S27-F07S14-R13
	2,728 g	8133486	DARQ-K-V-F12S27-F05S14-R13
	2,753 g	8084202	DARQ-K-V-F12S27-F10S22-R13
3,552 g	8084203	DARQ-K-V-F12S27-F12S27-R13	

Mounting kit DARQ-K-Z-...R13			
	Product weight	Part no.	Type
	385 g	8085017	DARQ-K-Z-F03S9-F03S9-R13
	400 g	8085016	DARQ-K-Z-F04S11-F03S9-R13
	465 g	8085018	DARQ-K-Z-F04S11-F04S11-R13
	620 g	8085019	DARQ-K-Z-F05S14-F03S9-R13
	710 g	8085020	DARQ-K-Z-F05S14-F04S11-R13
	795 g	8085021	DARQ-K-Z-F05S14-F05S14-R13
	810 g	8085022	DARQ-K-Z-F07S17-F04S11-R13
	890 g	8085023	DARQ-K-Z-F07S17-F05S14-R13
	945 g	8085024	DARQ-K-Z-F07S17-F07S14-R13

Accessories

Mounting kit DARQ-K-Z...R13			
	Product weight	Part no.	Type
	1,396 g	8085026	DARQ-K-Z-F10S22-F05S14-R13
	1,970 g	8085027	DARQ-K-Z-F10S22-F07S17-R13
	1,980 g	8085025	DARQ-K-Z-F10S22-F10S22-R13

Mounting flange adapter DARQ, function drive outlet			
	Product weight	Part no.	Type
	270 g	8082978	DARQ-B-F04-F03-R13
	442 g	8082980	DARQ-B-F05-F03-R13
	461 g	8082981	DARQ-B-F05-F04-R13
	514 g	8082983	DARQ-B-F07-F04-R13
	530 g	8082984	DARQ-B-F07-F05-R13
	836 g	8082986	DARQ-B-F10-F05-R13
	920 g	8082987	DARQ-B-F10-F07-R13
	1,504 g	8082989	DARQ-B-F12-F07-R13
	1,688 g	8082990	DARQ-B-F12-F10-R13
	1,775 g	8082992	DARQ-B-F14-F10-R13
	1,889 g	8082993	DARQ-B-F14-F12-R13
	2,305 g	8083005	DARQ-B-F05-F04-R13-P5
	2,648 g	8082995	DARQ-B-F16-F12-R13
	2,650 g	8083007	DARQ-B-F07-F05-R13-P5
	2,792 g	8082996	DARQ-B-F16-F14-R13
	4,600 g	8083009	DARQ-B-F10-F07-R13-P5
	14,734 g	8082998	DARQ-B-F25-F14-R13
	15,384 g	8082999	DARQ-B-F25-F16-R13
16,740 g	8083001	DARQ-B-F30-F16-R13	
20,250 g	8083002	DARQ-B-F30-F25-R13	

Mounting flange adapter DARQ, function reducing outlet			
	Product weight	Part no.	Type
	260 g	8082977	DARQ-B-F03-F03-R13
	275 g	8082979	DARQ-B-F04-F04-R13
	478 g	8082982	DARQ-B-F05-F05-R13
	583 g	8082985	DARQ-B-F07-F07-R13
	1,037 g	8082988	DARQ-B-F10-F10-R13
	1,375 g	8083004	DARQ-B-F04-F04-R13-P5
	1,802 g	8082991	DARQ-B-F12-F12-R13
	1,976 g	8082994	DARQ-B-F14-F14-R13
	2,390 g	8083006	DARQ-B-F05-F05-R13-P5
	2,844 g	8082997	DARQ-B-F16-F16-R13
	2,915 g	8083008	DARQ-B-F07-F07-R13-P5
	5,185 g	8083010	DARQ-B-F10-F10-R13-P5
	18,895 g	8083000	DARQ-B-F25-F25-R13
	21,644 g	8083003	DARQ-B-F30-F30-R13