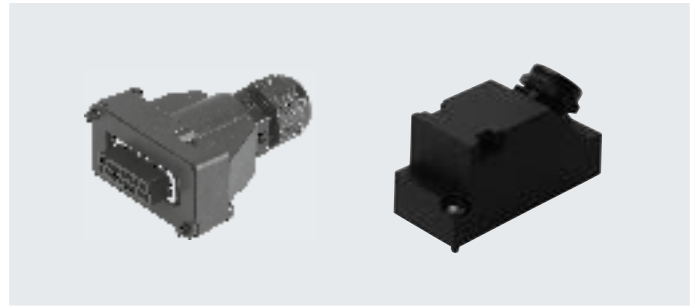


Data sheet

Plugs
SD-SUB-...-BU

- Plug socket for multi-pin plug connection
- Can be assembled with any cable lengths
- 9-pin, 15-pin or 25-pin
- Sub-D



General technical data

Type of mounting	2 screws M3x16		
Mounting position	Any		
Nominal operating voltage [V DC]	24		
Current rating [A]	5		
Degree of protection to EN 60529	IP65 (assembled)		

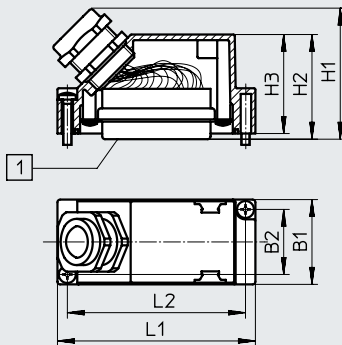
Materials

Type	SD-SUB-D-BU9	SD-SUB-D-BU25	SD-SUB-D-BU15
Housing	PA		
Pin contact	Nickel-plated and gold-plated copper base alloy		
Seals	NBR	NBR	CR

Dimensions

Download CAD data → www.festo.com

SD-SUB-D-BU-...



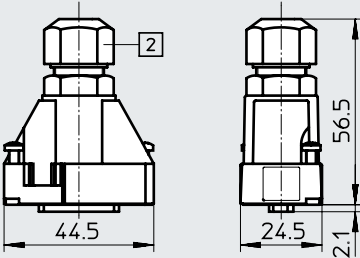
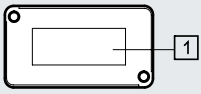
Type	[1]	B1	B2	H1	H2	H3	L1	L2
SD-SUB-D-BU9	Sub-D socket, 9-pin	30	23	43	37	35	50	43
SD-SUB-D-BU25	Sub-D socket, 25-pin	30	23	47	37	35	70	63

Data sheet

Dimensions

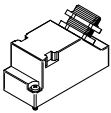
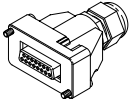
Download CAD data → www.festo.com

SD-SUB-D-BU15



- [1] Sub-D socket, 15-pin
- [2] Cable connector PG9

Ordering data

	Electrical connection	Cable connector	Permissible cable ∅ [mm]	Product weight [g]	Part no.	Type
	Socket, 9-pin, Sub-D	Pg9	6 ... 9	73	18708	SD-SUB-D-BU9
	Socket, 25-pin, Sub-D	Pg11	7 ... 12	75	18709	SD-SUB-D-BU25
	Socket, 15-pin, Sub-D	Pg9	3 ... 8	33	177675	SD-SUB-D-BU15