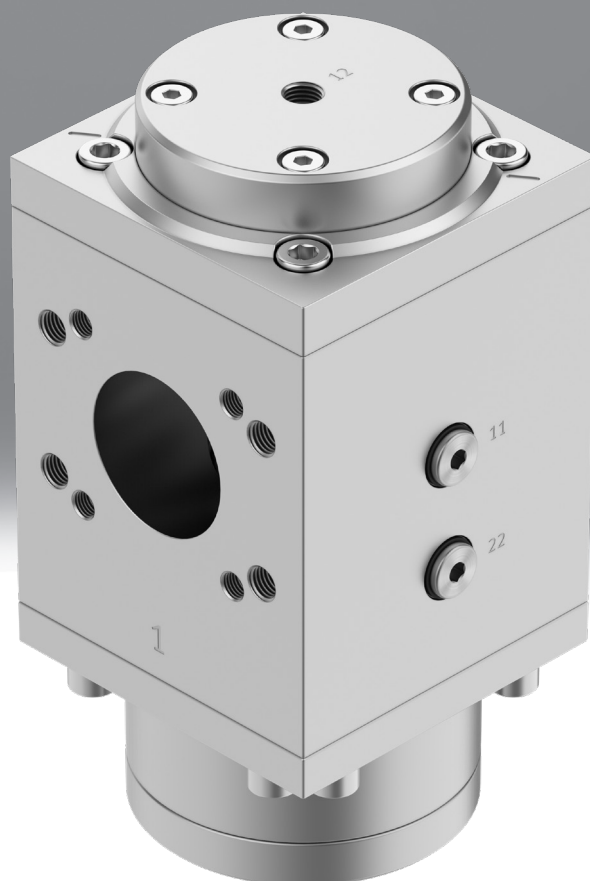


On/off valve PVEL

FESTO



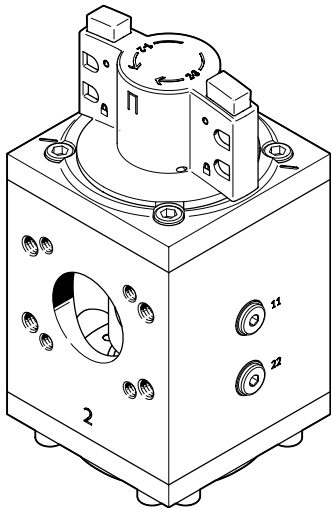
Characteristics

At a glance

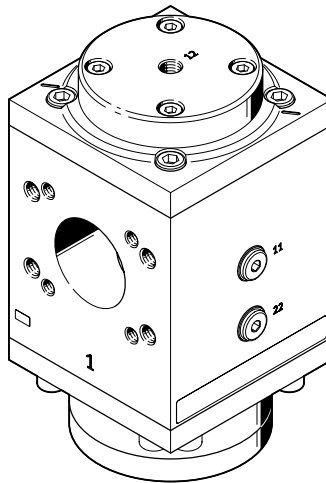
- For high-pressure applications
- Available in two versions: manually or pneumatically operated

Type of actuation

[H] Manually actuated



[P] Pneumatically actuated



Type code

001	Series
PVEL	On/off valve, L series

002	Type of actuation
H	Manually actuated
P	Pneumatically actuated

003	Size [mm]
124	124

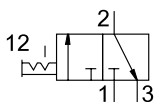
004	Pressure application range
HP3	Up to 50 bar
HP7	Up to 42 bar

Datasheet

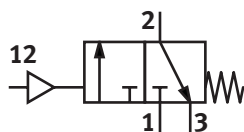
General technical data

Type of actuation	Manual	Pneumatic
Nominal size DN	54	
Pneumatic connection, port 3	G1/2	
Pilot air port 12	–	G1/4
Design	Piston gate valve	
Mounting position	optional	
Actuator lock	Rotary knob with detent, can be closed with accessories	–
Valve function	3/2 double solenoid	3/2-way, closed, monostable
Exhaust-air function	Without flow control option	
Type of reset	Forced	Mechanical spring
Type of piloting	Direct	
Pilot air supply	–	External
Sealing principle	Soft	

Function PVEL-H (manually actuated)



Function PVEL-P (pneumatically actuated)



Operating and environmental conditions

Type of actuation	Manual	Pneumatic
Operating pressure	0 ... 5 MPa	0 ... 4.2 MPa
Operating pressure	0 ... 50 bar	0 ... 42 bar
Operating pressure	0 ... 725 psi	0 ... 609 psi
Pilot pressure	–	0.9 ... 4.2 MPa
Pilot pressure	–	9 ... 42 bar
Pilot pressure	–	130.5 ... 609 psi
Operating medium	Compressed air to ISO 8573-1:2010 [7:4:4], Inert gases	
Note on operating and pilot medium	Lubricated operation possible (in which case lubricated operation will always be required)	
Ambient temperature	5 ... 50°C	
Media temperature	5 ... 50°C	
Corrosion resistance class CRC ¹⁾	2 - Moderate corrosion stress	
CE mark (see declaration of conformity) ²⁾	In accordance with EU Pressure Equipment Directive	
CE marking (see declaration of conformity) ³⁾	to UK Pressure Equipment Regulations	
Suitable for use with food ⁴⁾	See supplementary material information	

1) More information www.festo.com/x/topic/crc

2) More information www.festo.com/catalogue/pvel → Support/Downloads.

3) More information www.festo.com/catalogue/pvel → Support/Downloads.

4) More information www.festo.com/catalogue/pvel → Support/Downloads.

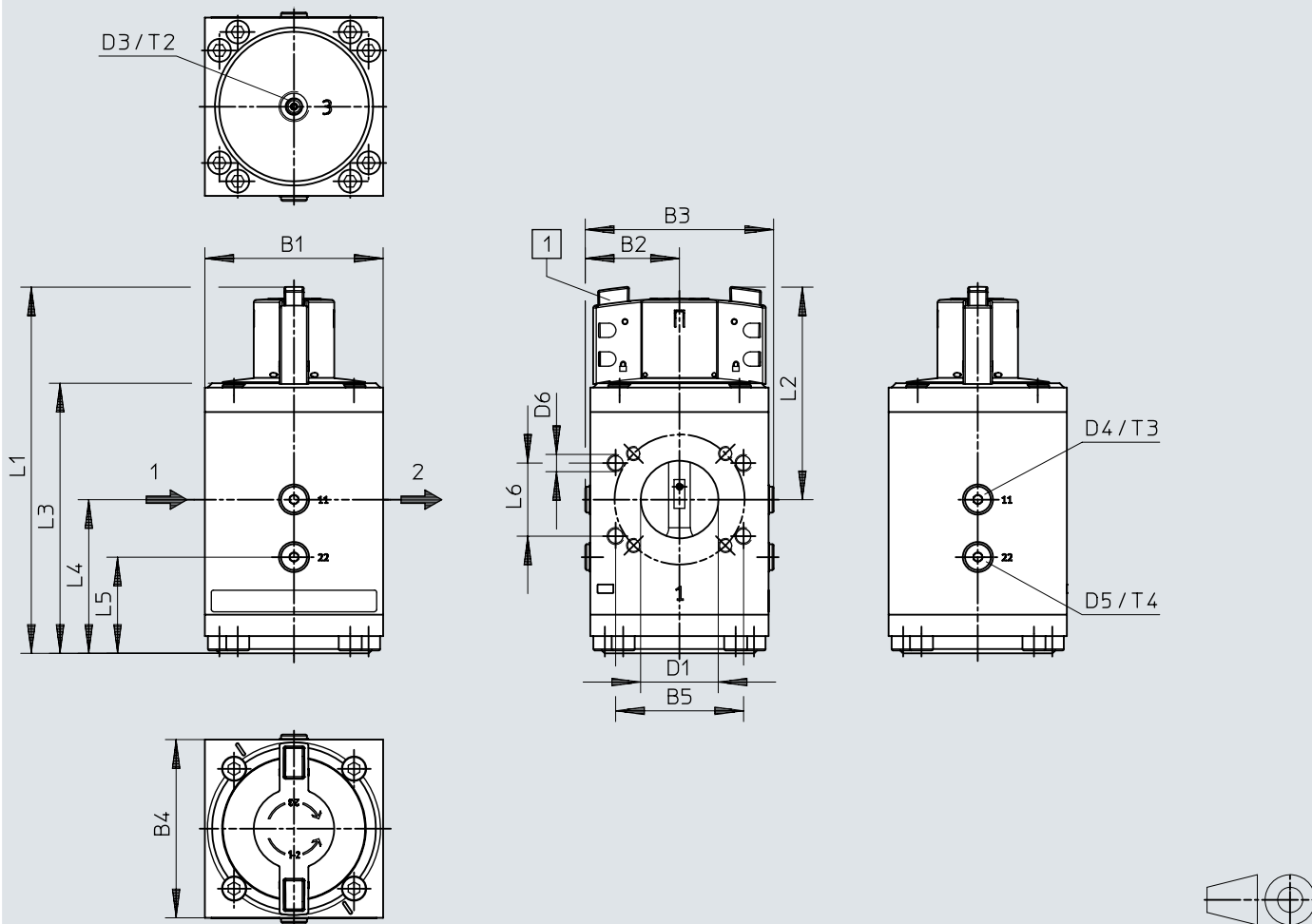
Datasheet

Materials	
Material housing	Wrought aluminium alloy
Material piston slide	Wrought aluminium alloy
Material seals	NBR, PE
Note on materials	RoHS-compliant
LABS (PWIS) conformity	VDMA24364 zone III

Dimensions

Dimensions – Size 124. manual

Download CAD data → www.festo.com



[1] In the switching position “Exhaust 3 a 2”, 1 to 4 padlocks can be attached as an actuator lock. To do this, press the button(s) down and hook in the padlock(s).

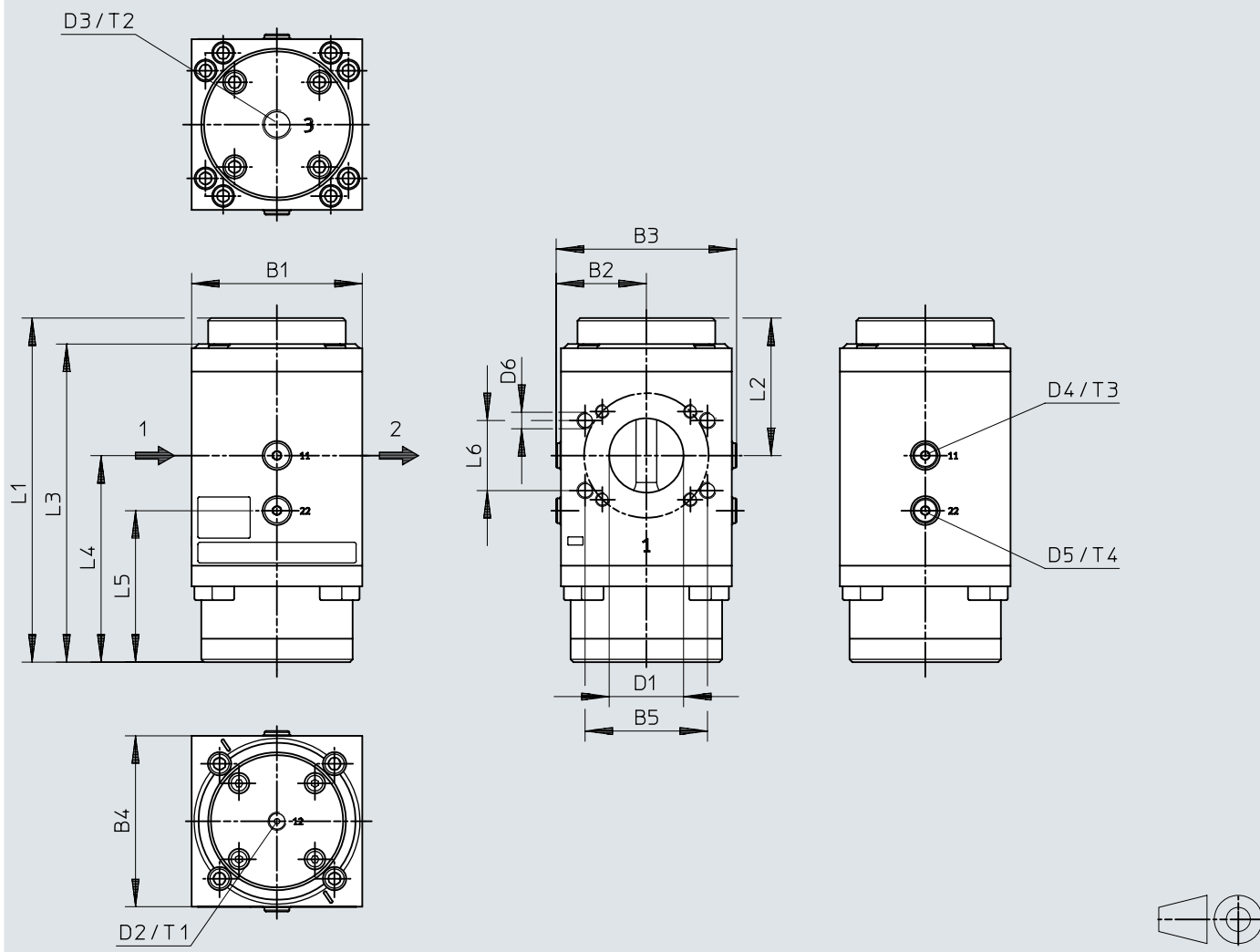
[2] * Interface for SAE flange 2 1/2”

	B1	B2	B3	B4	B5	D1 ∅	D3	D4	D5	D6
PVEL-H	124	65,5	131	124	88,9	54	G1/2	G1/4	G1/4	M12x18
	L1	L2	L3	L4	L5	L6	T2	T3	T4	
PVEL-H	~255	148	188	107	67	50,8	14	12	12	

Dimensions

Dimensions – Size 124, pneumatic

Download CAD data → www.festo.com



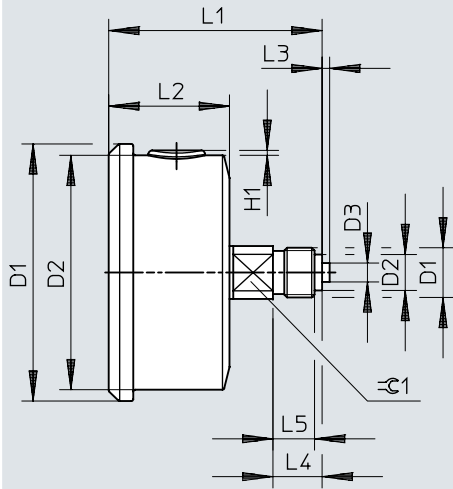
[1] * Interface for SAE flange 2 1/2"

	B1	B2	B3	B4	B5	D1	D2	D3	D4	D5	D6
PVEL-P-124-HP3	124	65,5	131	124	88,9	54 ∅	G1/4	G1/2	G1/4	G1/4	M12x18
	L1	L2	L3	L4	L5	L6	T1	T2	T3	T4	
PVEL-P-124-HP3	~239	100	220	139	99	50,8	12	17	12	12	

Dimensions

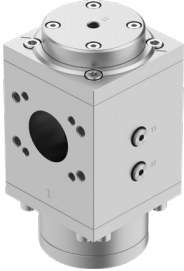
Dimensions – Pressure gauge PAGL

Download CAD data → www.festo.com



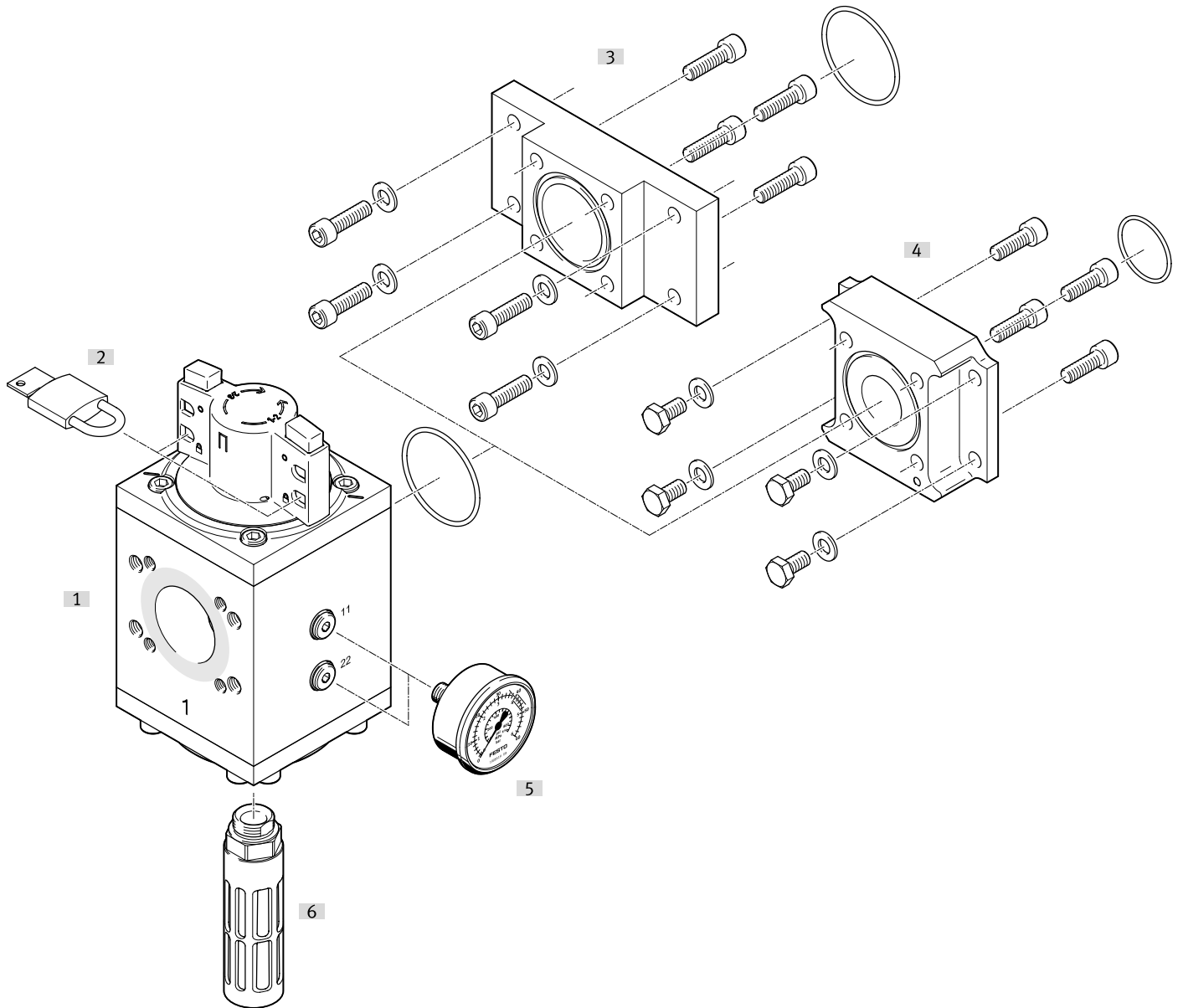
	D1	D2	D3	L1	L2	☉ 1
	∅	∅		±0,5	±0,5	
PAGL-HP3-63-60-G14	68	62	G1/4	56	32	14

Ordering data

Ordering data					
	Type of actuation	Valve function	Product weight	Part no.	Type
	Manual	3/2 double solenoid	5,900 g	1629207	PVEL-H-124-HP3
	Pneumatic	3/2-way, closed, monostable	7,250 g	1629205	PVEL-P-124-HP7

Peripherals

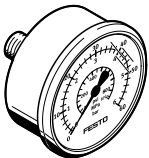
Size: 124



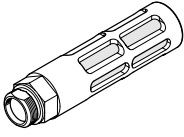
Accessories		→ Page/Internet
Type/order code	Description	
[1] On/off valve PVEL		pvel
[2] Padlock LVRS-D	Only for PVEL-H-124-HP3	11
[3] Connecting plate SET PAML-CP-186-HP3-E1	For alternative connection at the top of the micro filter PFML-186	auf Anfrage
[4] Connecting plate module PAML-CP-90-HP3-E1	For alternative connection at the top of the micro filter PFML-90	auf Anfrage
[5] Pressure gauge PAGL		11
[6] Silencer U-1/2-B		11

Accessories

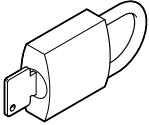
Pressure gauge PAGL

	Nominal size of pressure gauge	Pneumatic connection	Position of connection	Product weight	Part no.	Type
	63	G1/4	Radial underneath	80 g	1908519	PAGL-HP3-63-60-G14-RC
			Centred, rear side		1166938	PAGL-HP3-63-60-G14

Silencer U

	Description	Pneumatic connection	Sound pressure level	Product weight	Part no.	Type
	for PREL-186	G1/2	81 dB(A)	75 g	6844	U-1/2-B

Padlock LRVS-D

	Short type code	Product weight	Part no.	Type
	LRVS-D	120 g	193786	LRVS-D