

## PE converter PEN

**FESTO**



## Datasheet

## General technical data

Pneumatic connection	M5
Measurement method	Pneumatic/electric differential pressure switch
Measured variable	Differential pressure Relative pressure
Mounting position	optional
Type of mounting	Either: On 2n mounting frame With through-hole
Electrical connection	3-wire, Cable, Open end
Operational voltage range DC	12 ... 30 V
Switching output	PNP
Switching element function	N/O contact
Switching status indication	Yellow LED
Setting range threshold value	-0.8 ... 8 bar
Max. switching frequency	70 Hz
Max. output current	350 mA
Degree of protection	IP67
Short circuit current rating	yes

## Function



## Operating and environmental conditions

Operating pressure	-0.1 ... 0.8 MPa
Operating pressure	-1 ... 8 bar
Operating pressure	-14.5 ... 116 psi
Operating medium	Compressed air to ISO 8573-1:2010 [7:4:4]
Note on operating and pilot medium	Lubricated operation possible (in which case lubricated operation will always be required)
Ambient temperature	-20 ... 60°C
Media temperature	-20 ... 60°C
Approval	RCM trademark
CE mark (see declaration of conformity) <sup>1)</sup>	To EU EMC Directive In accordance with EU RoHS Directive
CE marking (see declaration of conformity) <sup>2)</sup>	To UK instructions for EMC To UK RoHS instructions

1) More information [www.festo.com/catalogue/pen-m5](http://www.festo.com/catalogue/pen-m5) → Support/Downloads.

2) More information [www.festo.com/catalogue/pen-m5](http://www.festo.com/catalogue/pen-m5) → Support/Downloads.

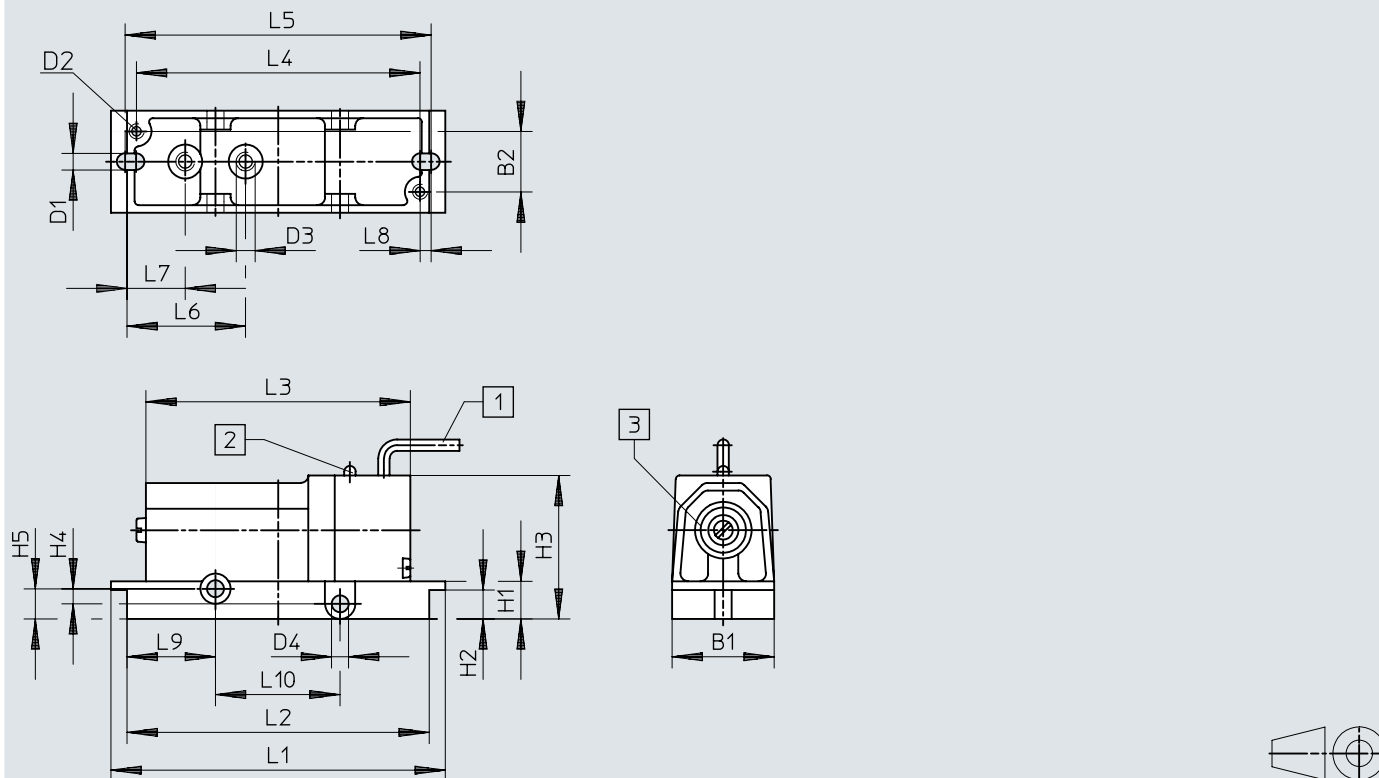
## Materials

Material housing	Die-cast zinc
Material cable sheath	PUR
Material sealing ring	NBR
Note on materials	RoHS-compliant
LABS (PWIS) conformity	VDMA24364-B2-L

## Dimensions

### Dimensions – PE converter PEN-M5

Download CAD data [www.festo.com](http://www.festo.com)



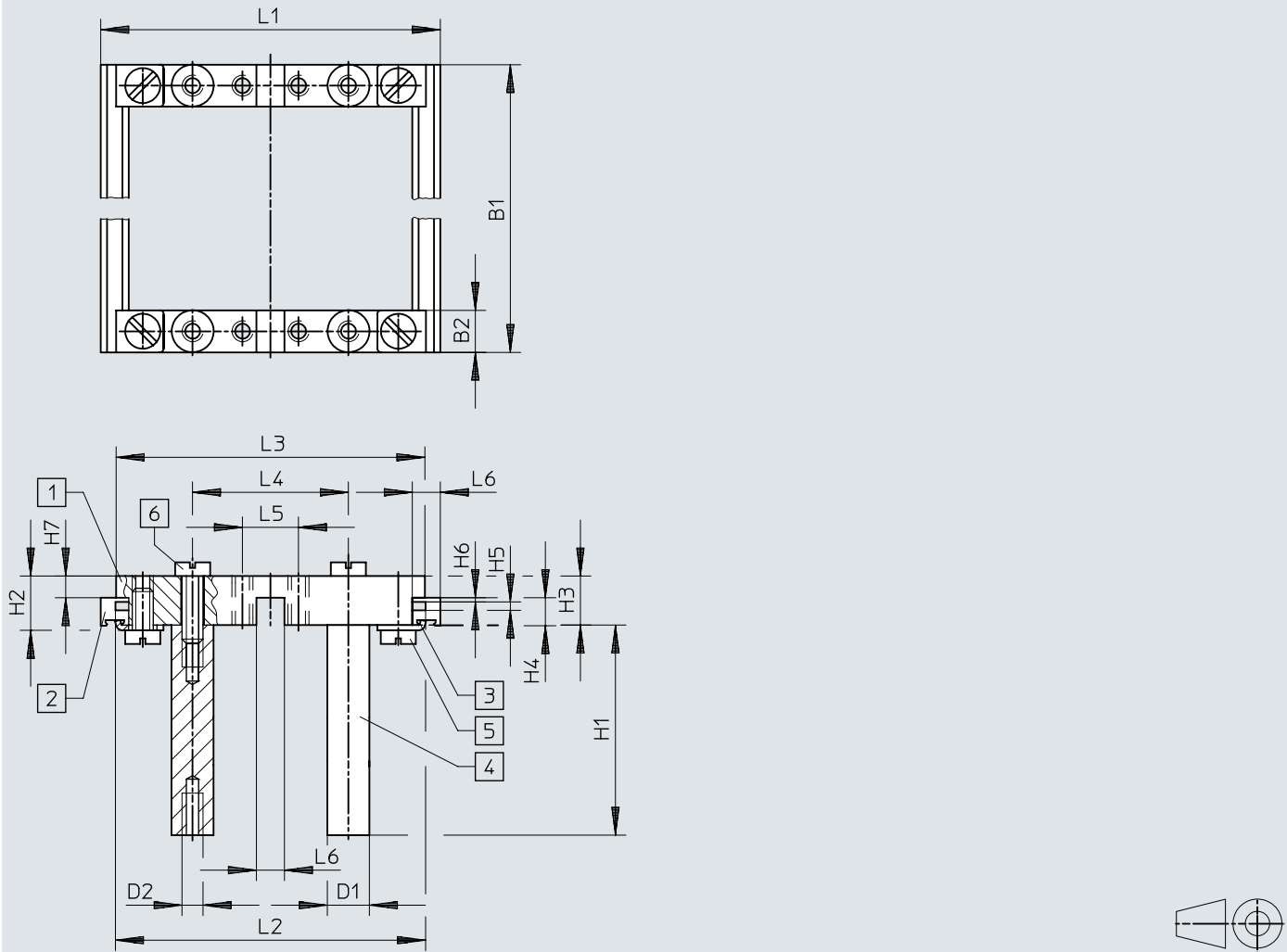
- [1] Cable: 3 x 0.14 mm<sup>2</sup>, 2.5 m long
- [2] Yellow LED
- [3] Pressure threshold setting

	B1	B2	D1 ∅	D2	D3	D4 ∅	H1	H2	H3	H4	H5	L1	L2	L3	L4	L5	L6	L7	L8	L9	L10
PEN-M5	27	16	4,4	M4	M5	4,5	10	7,7	37	3	8	88,5	80,8	70	75	81	31,4	15,4	2,9	23,4	33

## Dimensions

### Dimensions – Mounting frame NRRQ-2N


Download CAD data [www.festo.com](http://www.festo.com)



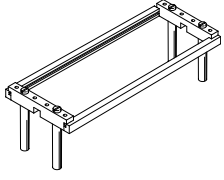
- [1] Connecting component NRV-2N
- [2] Profile strip NRQ-8-480
- [3] Mounting bracket NRW-12/3
- [4] Bolt NRB-12/60
- [5] Socket head screw DIN 84-M6X18-4.8
- [6] Socket head screw DIN 84-M6X12-4.8

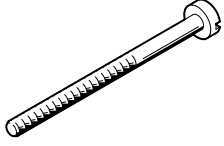
	B1	B2	D1 ∅	D2	H1	H2	H3	H4	H5	H6	H7	L1	L2	L3	L4	L5	L6
NRRQ	480	12	12	M6	60	15,5	14	8	2,4	1,2	6,2	97	88,6	88,2	44,5	16	8


## Ordering data

Ordering data						
	Pneumatic connection	Measurement method	Cable length	Product weight	Part no.	Type
	M5	Pneumatic/electric differential pressure switch	2.5 m	240 g	8625	PEN-M5

Accessories

Mounting frame NRRQ				
	Short type code	LABS (PWIS) conformity	Part no.	Type
	NRRQ	VDMA24364-B1/B2-L	9364	NRRQ-1N
			9365	NRRQ-2N

Socket head screws				
	Based on standard	LABS (PWIS) conformity	Part no.	Type
	DIN 84	VDMA24364-C1-L	208938	DIN 84-M6X12-4.8
			200568	DIN 84-M6X18-4.8

Mounting bracket NRW				
	Short type code	LABS (PWIS) conformity	Part no.	Type
	NRW	VDMA24364-B1/B2-L	11571	NRW-9/1,5-B