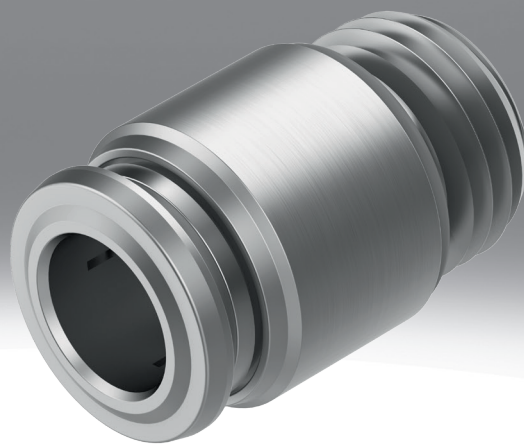


Push-in fitting, stainless steel NPQR

**FESTO**



## Characteristics

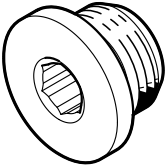
### At a glance

Stainless steel fitting for use in areas subject to intensive cleaning.

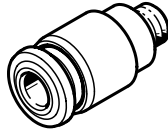
- High corrosion and chemical resistance
- Very good temperature resistance
- Operating medium: compressed air, vacuum, water

### Design

[B] Plug screw



[D] Straight



[H] Bulkhead



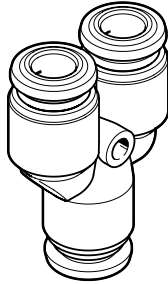
[L] L-shape



[T] T-shape



[Y] Y-shape



## Type code

001	Series	
NPQR	Push-in fitting	
002	Design	
B	Plug screw	
D	Straight	
H	Bulkhead	
L	L-shape	
T	T-shape	
Y	Y-shape	
003	Mounting method	
	Standard	
K	Internal hex	

004	Pneumatic connection 1	
G12	G1/2	
G14	G1/4	
G18	G1/8	
G38	G3/8	
M5	M5	
M7	M7	
Q4	Push-in connector 4 mm	
Q6	Push-in connector 6 mm	
Q8	Push-in connector 8 mm	
Q10	Push-in connector 10 mm	
Q12	Push-in connector 12 mm	
Q14	Push-in connector 14 mm	
Q16	Push-in connector 16 mm	

005	Pneumatic connection 2	
	None	
E	Same size as connection 1	
Q4	Push-in connector 4 mm	
Q6	Push-in connector 6 mm	
Q8	Push-in connector 8 mm	
Q10	Push-in connector 10 mm	
Q12	Push-in connector 12 mm	
Q14	Push-in connector 14 mm	
Q16	Push-in connector 16 mm	

006	Packaging quantity [pieces]	
	Standard	

## Datasheet

### General technical data – Push-in fittings

Pneumatic connection, port 1	Male thread M5	Male thread M7	Male thread G1/8	Male thread G1/4	Male thread G3/8	Male thread G1/2
Size	Standard					
Design	Push-pull principle					
Mounting position	optional					
Type of seal on screwed plug	Sealing ring					
Nominal torque <sup>1)</sup>	1 Nm	3 Nm	3 ... 6 Nm	7.5 Nm	9 Nm	
Tolerance for nominal tightening torque	± 20%					
Size of pack	1					

1) Male thread G1/8: 6 Nm (exception NPQR-DK-G18-Q4: 3 Nm)

### General technical data – Plug connectors

Pneumatic connection, port 1	For tubing outer diameter of 4 mm	For tubing outside diameter of 6 mm	For tubing outer diameter of 8 mm	For tubing outer diameter of 10 mm	For tubing outer diameter of 12 mm	For tubing outer diameter of 14 mm	For tubing outer diameter of 16 mm
Size	Standard						
Design	Push-pull principle						
Mounting position	optional						
Size of pack	1						

### Operating and environmental conditions

Operating medium	Compressed air to ISO 8573-1:2010 [7:-:-], Water (liquid, ice-free)
Note on operating and pilot medium	Lubricated operation possible
Corrosion resistance class CRC <sup>1)</sup>	4 - Very high corrosion stress
Suitable for use with food	See declaration of conformity NSF/ANSI 169
Certificate issuing authority	NSF C0556009

1) More information [www.festo.com/x/topic/crc](http://www.festo.com/x/topic/crc)

### Operating and ambient conditions – For tubing O.D. 4 mm; 6 mm; 8 mm; 10 mm; 12 mm

Operating pressure complete temperature range	-0.95 ... 16 bar
Note on operating pressure	Water: max. 0.7 MPa at 0 - 80°C
Ambient temperature	-20 ... 150°C

### Operating and ambient conditions – For tubing O.D. 14 mm; 16 mm

Operating pressure complete temperature range	-0.95 ... 12 bar
Note on operating pressure	Water: max. 0.7 MPa at 0 - 80°C
Ambient temperature	-5 ... 150°C

### Operating and environmental conditions – NPQR-D-Q16-Q12

Operating pressure complete temperature range	-0.95 ... 12 bar
Note on operating pressure	Water: max. 0.7 MPa at 0 - 80°C
Ambient temperature	-5 ... 150°C

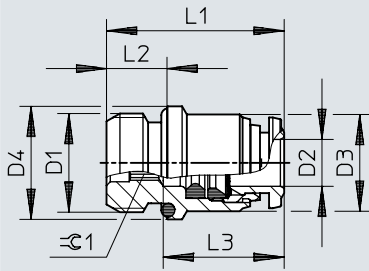
## Datasheet

Materials	
Material housing	High-alloy stainless steel
Material release ring	High-alloy stainless steel
Material tubing clamp component	High-alloy stainless steel
Thrust ring material	PPSU
Guard ring material	High-alloy stainless steel
Material nut	High-alloy stainless steel
Material thread seal	FPM
Material tubing seal	FPM
Note on materials	RoHS-compliant
LABS (PWIS) conformity	VDMA24364-B2-L
Suitability for the production of Li-ion batteries	Metals with more than 1% by mass of copper, zinc or nickel by mass are excluded from use. Exceptions are nickel in steel, chemically nickel-plated surfaces, printed circuit boards, cables, electrical plug connectors and coils, Metals with more than 1% by mass of copper, zinc or nickel are excluded from use. Exceptions are nickel in steel, chemically nickel-plated surfaces, printed circuit boards, cables, electrical plug connectors and coils
Cleanroom class	Class 4 according to ISO 14644-1, Element installed statically, no meaningful evaluation possible according to ISO 14644-1

## Dimensions

### Dimensions – Push-in fitting NPQR-DK-G18/G14/G38/G12

Download CAD data → [www.festo.com](http://www.festo.com)



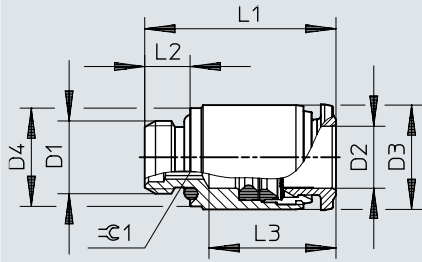
	D1	D2 ∅	D3 ∅	D4 ∅	L1	L2	L3 <sup>1)</sup>	⌀1
NPQR-DK-G18-Q4	G1/8	4	10	12,9	19,5	6	14	2,5
NPQR-DK-G14-Q6	G1/4	6	12,8	15	23,5	8	16	4
NPQR-DK-G38-Q8	G3/8	8	14	20	22	9	16,8	6
NPQR-DK-G38-Q10	G3/8	10	17	20	26,5	9	19,35	7
NPQR-DK-G12-Q12	G1/2	12	20	24,8	30,5	10	22,35	8
NPQR-DK-G12-Q14	G1/2	14	21,5	24,8	29,5	10	21,5	10

1) Tubing insertion depth

## Dimensions

### Dimensions – Push-in fitting NPQR-DK-M5/M7/G18/G14

Download CAD data → [www.festo.com](http://www.festo.com)



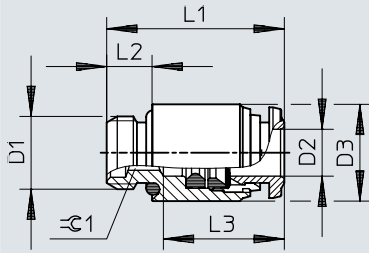
	D1	D2 ∅	D3 ∅	D4 ∅	L1	L2	L3 <sup>1)</sup>	r1
NPQR-DK-M5-Q4	M5	4	9,8	8	19,5	4	14	2
NPQR-DK-M7-Q4	M7	4	9,8	9,4	21	5	14	2,5
NPQR-DK-G18-Q8	G1/8	8	13,8	13	25,5	6	16,8	5
NPQR-DK-G18-Q10	G1/8	10	17	13	28,5	6	19,35	5
NPQR-DK-G14-Q10	G1/4	10	16,8	16	29,5	8	19,35	6

1) Tubing insertion depth

## Dimensions

Dimensions – Push-in fitting NPQR-DK-M5/M7/G18/G14/G38/G12

Download CAD data → [www.festo.com](http://www.festo.com)



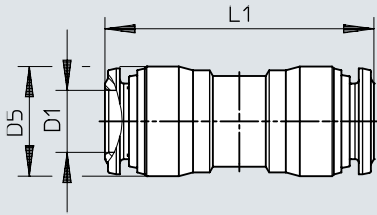
	D1	D2 ∅	D3 ∅	D4 ∅	L1	L2	L3 <sup>1)</sup>	r <sub>1</sub>
NPQR-DK-M5-Q6	M5	6	10	–	20,1	4	13,5	2,5
NPQR-DK-M7-Q6	M7	6	10	–	21	5	13,5	4
NPQR-DK-G18-Q6	G1/8	6	12,8	–	23,5	6	16	4
NPQR-DK-G14-Q8	G1/4	8	15	–	23,5	8	16,8	6
NPQR-DK-G38-Q12	G3/8	12	20	–	33	9	22,35	8
NPQR-DK-G12-Q16	G1/2	16	24	24,8	36	10	23,5	12

1) Tubing insertion depth



## Dimensions

## Dimensions – Push-in connector NPQR-D

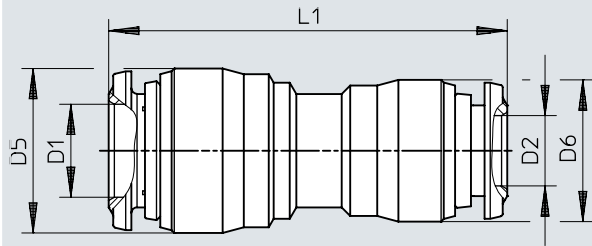
Download CAD data → [www.festo.com](http://www.festo.com)

	D1 ø	D5 ø	L1
NPQR-D-Q4-E	4	10,3	30
NPQR-D-Q6-E	6	12,5	34
NPQR-D-Q8-E	8	14,5	35,5
NPQR-D-Q10-E	10	17,5	41
NPQR-D-Q12-E	12	20,5	47
NPQR-D-Q14-E	14	21,5	45
NPQR-D-Q16-E	16	24	53,5

## Dimensions

Dimensions – Push-in connector NPQR-D, reducing

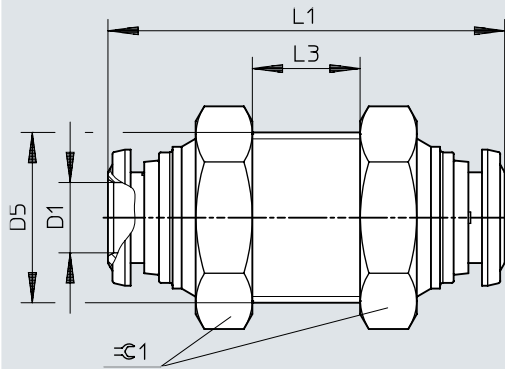
Download CAD data → [www.festo.com](http://www.festo.com)



	D1 ∅	D2 ∅	D5 ∅	D6 ∅	L1
NPQR-D-Q6-Q4	6	4	12,5	10,3	32,1
NPQR-D-Q8-Q6	8	6	14,5	12,5	35
NPQR-D-Q10-Q8	10	8	17,5	14,5	38,5
NPQR-D-Q12-Q10	12	10	20,5	17,5	44
NPQR-D-Q16-Q12	16	12	24	20,5	52,5

## Dimensions

Dimensions – Push-in bulkhead connector NPQR-H

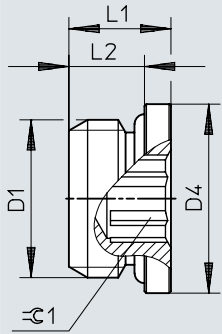
Download CAD data → [www.festo.com](http://www.festo.com)

	D1 ∅	D5	L1	L3 max.	R1
NPQR-H-Q4-E	4	M12x1	31	7	17
NPQR-H-Q6-E	6	M14x1	35	9,5	17
NPQR-H-Q8-E	8	M16x1	36,6	10,5	19
NPQR-H-Q10-E	10	M20x1	42,1	13,3	24
NPQR-H-Q12-E	12	M22x1	48	12,5	26
NPQR-H-Q16-E	16	M27x1,5	53,5	10,4	32

## Dimensions

### Dimensions – Plug screw NPQR-BK

Download CAD data → [www.festo.com](http://www.festo.com)

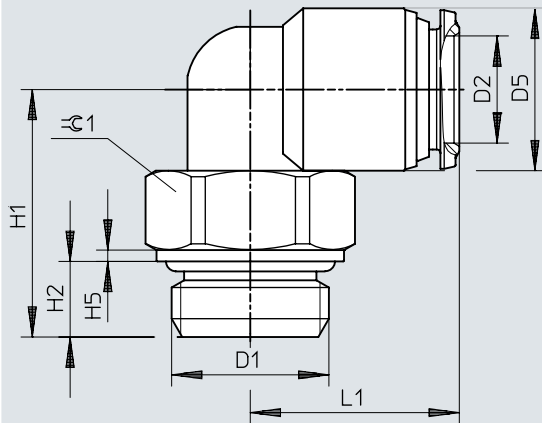


	D1	D4 ∅	L1	L2	R1
NPQR-BK-M5	M5	8	6	4	2
NPQR-BK-M7	M7	9,5	7,5	5	3
NPQR-BK-G18	G1/8	14	8,5	6	5
NPQR-BK-G14	G1/4	18	11	8	6
NPQR-BK-G38	G3/8	20	12,5	9	8
NPQR-BK-G12	G1/2	25	13,5	10	10

## Dimensions

### Dimensions – Push-in L-fitting NPQR-L

Download CAD data → [www.festo.com](http://www.festo.com)

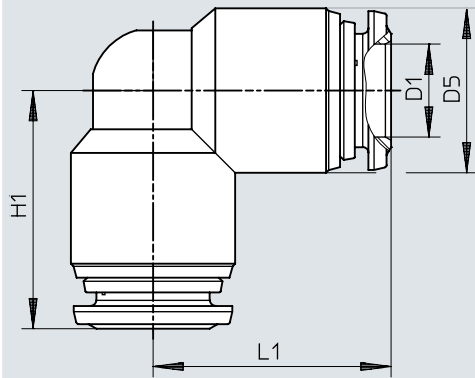


	D1	D2 ∅	D5 ∅	H1	H2	H5	L1	±C1
NPQR-L-M5-Q4	M5	4	10	16	4	3	15,5	8
NPQR-L-M5-Q6		6	12,5	17,5	4	3	18	8
NPQR-L-G18-Q4	G1/8	4	10	16	6	1	15,5	13
NPQR-L-G18-Q6		6	12,5	17,5	6	1	18	13
NPQR-L-G18-Q8		8	14,5	23	6	1	20	13
NPQR-L-G14-Q6	G1/4	6	12,5	20	8	1	18	15
NPQR-L-G14-Q8		8	14,5	21	8	1	20	15
NPQR-L-G14-Q10		10	17	27,5	8	0,9	23,5	15
NPQR-L-G38-Q10	G3/8	10	17	25	9	1,5	23,5	20
NPQR-L-G38-Q12		12	20,5	30,5	9	1,5	27,5	20
NPQR-L-G12-Q12	G1/2	12	20,5	28,5	10	1,5	27,5	25
NPQR-L-G12-Q14		14	21,5	33	10	1,5	27,5	25
NPQR-L-G12-Q16		16	24	36,5	10	1,5	33	25

## Dimensions

### Dimensions – Push-in L-connector NPQR-L

Download CAD data → [www.festo.com](http://www.festo.com)

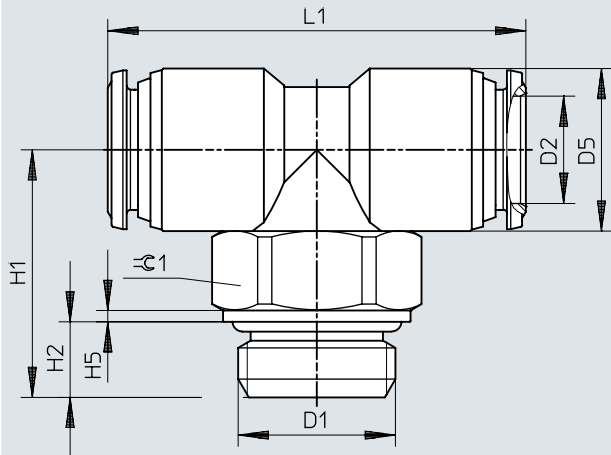


	D1 ø	D5 ø	H1	L1
NPQR-L-Q4-E	4	10	16	16
NPQR-L-Q6-E	6	12,5	19,5	19,5
NPQR-L-Q8-E	8	14,5	21	21
NPQR-L-Q10-E	10	17	24,5	24,5
NPQR-L-Q12-E	12	20,5	29	29
NPQR-L-Q14-E	14	21,5	28,5	28,5
NPQR-L-Q16-E	16	24	33	33

## Dimensions

Dimensions – Push-in T-fitting NPQR-T

Download CAD data → [www.festo.com](http://www.festo.com)

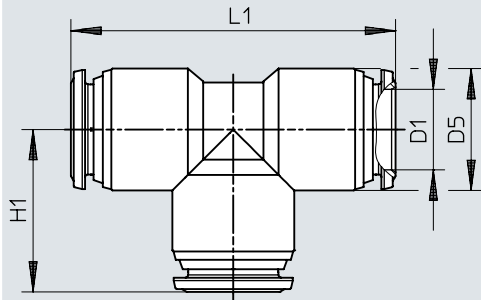


	D1	D2 ø	D5 ø	H1	H2	H5	L1	≈G1
NPQR-T-M5-Q4	M5	4	10	16	4	3	30,5	8
NPQR-T-M5-Q6		6	12,5	17,5	4	3	36	8
NPQR-T-G18-Q6	G1/8	6	12,5	17,5	6	1	36	13
NPQR-T-G18-Q8		8	14,5	23	6	1	40	13
NPQR-T-G14-Q8	G1/4	8	14,5	21	8	1	40	15
NPQR-T-G14-Q10		10	17	27,5	8	1	47	15
NPQR-T-G38-Q10	G3/8	10	17	25	9	1,5	47	20
NPQR-T-G38-Q12		12	20,5	30,5	9	1,5	55	20
NPQR-T-G12-Q12	G1/2	12	20,5	28,5	10	1,5	55	25
NPQR-T-G12-Q16		16	24	36,5	10	1,5	65,5	25

## Dimensions

### Dimensions – Push-in T-connector NPQR-T

Download CAD data → [www.festo.com](http://www.festo.com)

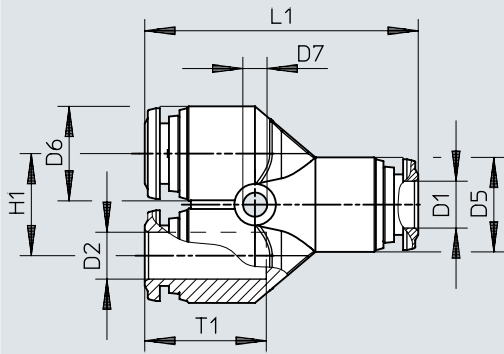


	D1 ø	D5 ø	H1	L1
NPQR-T-Q4-E	4	10	16	32
NPQR-T-Q6-E	6	12,5	19,5	39,5
NPQR-T-Q8-E	8	14,5	21	42
NPQR-T-Q10-E	10	17	24,5	49
NPQR-T-Q12-E	12	20,5	29	58
NPQR-T-Q14-E	14	21,5	28,5	57,5
NPQR-T-Q16-E	16	24	32,8	65,5



## Dimensions


## Dimensions – Push-in Y-connector NPQR-Y


Download CAD data → [www.festo.com](http://www.festo.com)

	D1 ∅	D2 ∅	D5 ∅	D6 ∅	D7 ∅	H1	L1	T1 <sup>1)</sup>
NPQR-Y-Q4-E	4	4	10	10	3,2	11	31	14
NPQR-Y-Q6-E	6	6	12,5	12,5	3,2	13,5	36	16
NPQR-Y-Q8-E	8	8	14,5	14,5	3,2	15,5	40	17
NPQR-Y-Q10-E	10	10	17	17	4,2	18,5	47,5	19,5
NPQR-Y-Q12-E	12	12	20,5	20,5	4,2	21,5	56,2	22,5
NPQR-Y-Q16-E	16	16	24	24	5,2	25	62	23,5


1) Tubing insertion depth


## Ordering data

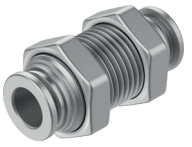
Push-in fitting NPQR-DK						
	Pneumatic connection, port 1	Pneumatic connection, port 2	Nominal size	Type of mounting	Part no.	Type
	Male thread M5	For tubing outside diameter of 4 mm	2.1 mm	Internal hexagon, size 2 mm	<b>8085657</b>	<b>NPQR-DK-M5-Q4</b>
		For tubing outside diameter of 6 mm	2.6 mm	Internal hexagon, size 2.5 mm	<b>8085659</b>	<b>NPQR-DK-M5-Q6</b>
	Male thread M7	For tubing outside diameter of 4 mm			<b>8085658</b>	<b>NPQR-DK-M7-Q4</b>
		For tubing outside diameter of 6 mm	4.2 mm	Internal hexagon, size 4 mm	<b>8085660</b>	<b>NPQR-DK-M7-Q6</b>
	Male thread G1/8	For tubing outside diameter of 4 mm	2.6 mm	Internal hexagon, size 2.5 mm	<b>8085661</b>	<b>NPQR-DK-G18-Q4</b>
		For tubing outside diameter of 6 mm	4.2 mm	Internal hexagon, size 4 mm	<b>8085662</b>	<b>NPQR-DK-G18-Q6</b>
		For tubing outside diameter of 8 mm	5.3 mm	Internal hexagon, size 5 mm	<b>8085663</b>	<b>NPQR-DK-G18-Q8</b>
		For tubing outside diameter of 10 mm			<b>8087695</b>	<b>NPQR-DK-G18-Q10</b>
	Male thread G1/4	For tubing outside diameter of 6 mm	4.2 mm	Internal hexagon, size 4 mm	<b>8085664</b>	<b>NPQR-DK-G14-Q6</b>
		For tubing outside diameter of 8 mm	6.3 mm	Internal hexagon, size 6 mm	<b>8085665</b>	<b>NPQR-DK-G14-Q8</b>
		For tubing outside diameter of 10 mm			<b>8085666</b>	<b>NPQR-DK-G14-Q10</b>
	Male thread G3/8	For tubing outside diameter of 8 mm			<b>8086953</b>	<b>NPQR-DK-G38-Q8</b>
		For tubing outside diameter of 10 mm	7.3 mm	Internal hexagon, A/F 7 mm	<b>8085667</b>	<b>NPQR-DK-G38-Q10</b>
		For tubing outer diameter of 12 mm	8.4 mm	Internal hexagon, size 8 mm	<b>8085668</b>	<b>NPQR-DK-G38-Q12</b>
	Male thread G1/2	For tubing outside diameter of 14 mm			<b>8085669</b>	<b>NPQR-DK-G12-Q12</b>
		For tubing outside diameter of 14 mm	11.6 mm	Internal hexagon, size 10 mm	<b>8085670</b>	<b>NPQR-DK-G12-Q14</b>
		For tubing outside diameter of 16 mm	12.6 mm	Internal hexagon, size 12 mm	<b>8085671</b>	<b>NPQR-DK-G12-Q16</b>

Push-in connector NPQR-D						
	Pneumatic connection, port 1	Pneumatic connection, port 2	Nominal size	Product weight	Part no.	Type
	For tubing outer diameter of 4 mm	For tubing outside diameter of 4 mm	3 mm	9.8 g	<b>8085697</b>	<b>NPQR-D-Q4-E</b>


## Ordering data


Push-in connector NPQR-D						
	Pneumatic connection, port 1	Pneumatic connection, port 2	Nominal size	Product weight	Part no.	Type
	For tubing outside diameter of 6 mm	For tubing outside diameter of 6 mm	5 mm	15 g	8085698	NPQR-D-Q6-E
	For tubing outer diameter of 8 mm	For tubing outside diameter of 8 mm	7 mm	19.4 g	8085699	NPQR-D-Q8-E
	For tubing outer diameter of 10 mm	For tubing outside diameter of 10 mm	9 mm	32.4 g	8085700	NPQR-D-Q10-E
	For tubing outer diameter of 12 mm	For tubing outer diameter of 12 mm	11 mm	49.1 g	8085701	NPQR-D-Q12-E
	For tubing outer diameter of 14 mm	For tubing outside diameter of 14 mm	13 mm	47.8 g	8085702	NPQR-D-Q14-E
	For tubing outer diameter of 16 mm	For tubing outside diameter of 16 mm	15 mm	65.6 g	8085703	NPQR-D-Q16-E


Push-in connector NPQR-D (reducing)						
	Pneumatic connection, port 1	Pneumatic connection, port 2	Nominal size	Product weight	Part no.	Type
	For tubing outside diameter of 6 mm	For tubing outside diameter of 4 mm	3 mm	12 g	8085704	NPQR-D-Q6-Q4
	For tubing outer diameter of 8 mm	For tubing outside diameter of 6 mm	5 mm	16.7 g	8085705	NPQR-D-Q8-Q6
	For tubing outer diameter of 10 mm	For tubing outside diameter of 8 mm	7 mm	25.1 g	8085706	NPQR-D-Q10-Q8
	For tubing outer diameter of 12 mm	For tubing outside diameter of 10 mm	9 mm	39.6 g	8085707	NPQR-D-Q12-Q10
	For tubing outer diameter of 16 mm	For tubing outer diameter of 12 mm	11 mm	63.7 g	8085708	NPQR-D-Q16-Q12

Push-in bulkhead connector NPQR-H						
	Pneumatic connection, port 1	Pneumatic connection, port 2	Nominal size	Product weight	Part no.	Type
	For tubing outer diameter of 4 mm	For tubing outside diameter of 4 mm	3 mm	24.3 g	8085729	NPQR-H-Q4-E
	For tubing outside diameter of 6 mm	For tubing outside diameter of 6 mm	5 mm	28.3 g	8085730	NPQR-H-Q6-E
	For tubing outer diameter of 8 mm	For tubing outside diameter of 8 mm	7 mm	37.1 g	8085731	NPQR-H-Q8-E
	For tubing outer diameter of 10 mm	For tubing outside diameter of 10 mm	9 mm	66.8 g	8085732	NPQR-H-Q10-E
	For tubing outer diameter of 12 mm	For tubing outer diameter of 12 mm	11 mm	88.1 g	8085733	NPQR-H-Q12-E
	For tubing outer diameter of 16 mm	For tubing outside diameter of 16 mm	15 mm	153.6 g	8099104	NPQR-H-Q16-E


## Ordering data


Plug screw NPQR-BK					
	Pneumatic connection, port 1	Type of mounting	Product weight	Part no.	Type
	Male thread M5		3.2 g	8104803	NPQR-BK-M5
	Male thread M7	Internal hexagon, size 3 mm	2.1 g	8085672	NPQR-BK-M7
	Male thread G1/8	Internal hexagon, size 5 mm	4 g	8085673	NPQR-BK-G18
	Male thread G1/4	Internal hexagon, size 6 mm	11 g	8085674	NPQR-BK-G14
	Male thread G3/8	Internal hexagon, size 8 mm	17 g	8085675	NPQR-BK-G38
	Male thread G1/2	Internal hexagon, size 10 mm	29 g	8085676	NPQR-BK-G12


Push-in L-fitting NPQR-L						
	Pneumatic connection, port 1	Pneumatic connection, port 2	Nominal size	Type of mounting	Part no.	Type
	Male thread M5	For tubing outside diameter of 4 mm	2 mm	External hexagon, A/F 8 mm	8085679	NPQR-L-M5-Q4
		For tubing outside diameter of 6 mm			8098626	NPQR-L-M5-Q6
	Male thread G1/8	For tubing outside diameter of 4 mm	4 mm	External hexagon, A/F 13 mm	8085680	NPQR-L-G18-Q4
		For tubing outside diameter of 6 mm			8085681	NPQR-L-G18-Q6
		For tubing outside diameter of 8 mm			8085682	NPQR-L-G18-Q8
	Male thread G1/4	For tubing outside diameter of 6 mm	6 mm	External hexagon, A/F 15 mm	8085683	NPQR-L-G14-Q6
		For tubing outside diameter of 8 mm			8085684	NPQR-L-G14-Q8
		For tubing outside diameter of 10 mm			8085685	NPQR-L-G14-Q10
	Male thread G3/8	For tubing outer diameter of 10 mm	10 mm	External hexagon, A/F 20 mm	8085686	NPQR-L-G38-Q10
		For tubing outer diameter of 12 mm			8085687	NPQR-L-G38-Q12
	Male thread G1/2	For tubing outside diameter of 12 mm	12 mm	External hexagon, A/F 25 mm	8085688	NPQR-L-G12-Q12
		For tubing outside diameter of 14 mm			8085689	NPQR-L-G12-Q14
		For tubing outside diameter of 16 mm			8085690	NPQR-L-G12-Q16

Push-in L-connector NPQR-L						
	Pneumatic connection, port 1	Pneumatic connection, port 2	Nominal size	Product weight	Part no.	Type
	For tubing outer diameter of 4 mm	For tubing outside diameter of 4 mm	3 mm	7.8 g	8085709	NPQR-L-Q4-E

## Ordering data


Push-in L-connector NPQR-L						
	Pneumatic connection, port 1	Pneumatic connection, port 2	Nominal size	Product weight	Part no.	Type
	For tubing outside diameter of 6 mm	For tubing outside diameter of 6 mm	5 mm	14.9 g	8085710	NPQR-L-Q6-E
	For tubing outside diameter of 8 mm	For tubing outside diameter of 8 mm	7 mm	20.4 g	8085711	NPQR-L-Q8-E
	For tubing outside diameter of 10 mm	For tubing outside diameter of 10 mm	9 mm	29.9 g	8085712	NPQR-L-Q10-E
	For tubing outside diameter of 12 mm	For tubing outside diameter of 12 mm	11 mm	51.8 g	8085713	NPQR-L-Q12-E
	For tubing outside diameter of 14 mm	For tubing outside diameter of 14 mm	14 mm	60.6 g	8085714	NPQR-L-Q14-E
	For tubing outside diameter of 16 mm	For tubing outside diameter of 16 mm	16 mm	83.8 g	8085715	NPQR-L-Q16-E

Push-in T-fitting NPQR-T						
	Pneumatic connection, port 1	Pneumatic connection, port 2	Nominal size	Type of mounting	Part no.	Type
	Male thread M5	For tubing outside diameter of 4 mm	2 mm	External hexagon, A/F 8 mm	8085691	NPQR-T-M5-Q4
		For tubing outside diameter of 6 mm	2.2 mm		8099103	NPQR-T-M5-Q6
	Male thread G1/8	For tubing outside diameter of 6 mm	4 mm	External hexagon, A/F 13 mm	8085692	NPQR-T-G18-Q6
		For tubing outside diameter of 8 mm	6 mm		8085693	NPQR-T-G18-Q8
	Male thread G1/4	For tubing outside diameter of 8 mm	8 mm	External hexagon, A/F 15 mm	8085694	NPQR-T-G14-Q8
		For tubing outside diameter of 10 mm	8 mm		8099100	NPQR-T-G14-Q10
	Male thread G3/8	For tubing outside diameter of 10 mm	10 mm	External hexagon, A/F 20 mm	8085695	NPQR-T-G38-Q10
		For tubing outside diameter of 12 mm	10 mm		8099101	NPQR-T-G38-Q12
	Male thread G1/2	For tubing outside diameter of 12 mm	14 mm	External hexagon, A/F 25 mm	8099102	NPQR-T-G12-Q12
		For tubing outside diameter of 16 mm	14 mm		8085696	NPQR-T-G12-Q16


Push-in T-connector NPQR-T						
	Pneumatic connection, port 1	Pneumatic connection, port 2	Nominal size	Product weight	Part no.	Type
	For tubing outside diameter of 4 mm	For tubing outside diameter of 4 mm	3 mm	10 g	8085716	NPQR-T-Q4-E
	For tubing outside diameter of 6 mm	For tubing outside diameter of 6 mm	5 mm	19.2 g	8085717	NPQR-T-Q6-E
	For tubing outside diameter of 8 mm	For tubing outside diameter of 8 mm	7 mm	26.1 g	8085718	NPQR-T-Q8-E
	For tubing outside diameter of 10 mm	For tubing outside diameter of 10 mm	9 mm	37.7 g	8085719	NPQR-T-Q10-E

## Ordering data

### Push-in T-connector NPQR-T

	Pneumatic connection, port 1	Pneumatic connection, port 2	Nominal size	Product weight	Part no.	Type
	For tubing outer diameter of 12 mm	For tubing outer diameter of 12 mm	11 mm	66.7 g	8085720	NPQR-T-Q12-E
	For tubing outer diameter of 14 mm	For tubing outside diameter of 14 mm	14 mm	85 g	8085721	NPQR-T-Q14-E
	For tubing outer diameter of 16 mm	For tubing outside diameter of 16 mm	16 mm	114.7 g	8085722	NPQR-T-Q16-E

### Push-in Y-connector NPQR-Y

	Pneumatic connection, port 1	Pneumatic connection, port 2	Product weight	Part no.	Type
	For tubing outer diameter of 4 mm	For tubing outside diameter of 4 mm	18.2 g	8085723	NPQR-Y-Q4-E
	For tubing outside diameter of 6 mm	For tubing outside diameter of 6 mm	30.6 g	8085724	NPQR-Y-Q6-E
	For tubing outer diameter of 8 mm	For tubing outside diameter of 8 mm	37.8 g	8085725	NPQR-Y-Q8-E
	For tubing outer diameter of 10 mm	For tubing outside diameter of 10 mm	65.2 g	8085726	NPQR-Y-Q10-E
	For tubing outer diameter of 12 mm	For tubing outside diameter of 12 mm	106.4 g	8085727	NPQR-Y-Q12-E
	For tubing outer diameter of 16 mm	For tubing outside diameter of 16 mm	140.9 g	8085728	NPQR-Y-Q16-E