

## Service unit combination MSB4

**FESTO**



### Characteristics

#### At a glance

Predefined or freely configurable service unit combinations.

- Grid dimension: 40 mm
- Depending on the application, consisting of filter regulator, filter, lubricator, on/off valve, soft-start valve, branching module

#### Product segmentation



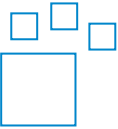
Festo Core Range

Solves the majority of your automation tasks

With the Festo Core Range, we have selected the most important products and functions from our broad product catalogue, and added the quickest delivery. the Core Range offers you the best value with the expected high Festo quality.

- Quickest delivery, worldwide – wherever, whenever
- Expected high Festo quality
- Easy and fast to select

#### Ordering data - modular system



Configurable product

This product and all its product options can be ordered online via the configurator.

#### Engineering tools

[Link](#)  [engineering tools](#)



A selection tool for sizing a suitable service unit component and the correct air purity class can be found under Engineering Tools.

#### Pneumatic connection

Individual fittings can be connected via connecting plates with female threads.

#### EU certification

Selected types in accordance with the ATEX directive for potentially explosive atmospheres can be ordered via the configurator.

#### Flow direction

Available with flow in the opposite direction.

## Type code

<b>001</b>	<b>Series</b>	
<b>MSB</b>	Service unit component MS series	

<b>002</b>	<b>Size</b>	
<b>4</b>	Grid dimension 40 mm	

<b>003</b>	<b>Pneumatic connection</b>	
<b>1/8</b>	Female thread G1/8	
<b>1/4</b>	Female thread G1/4	
<b>AGA</b>	Sub-base G1/8	
<b>AGB</b>	Sub-base G1/4	
<b>AGC</b>	Sub-base G3/8	
<b>AQK</b>	Sub-base 1/8 NPT	
<b>AQN</b>	Sub-base 1/4 NPT	
<b>AQP</b>	Sub-base 3/8 NPT	

<b>004</b>	<b>Service unit component equipment</b>	
<b>...</b>	For selection, see overview list	

<b>005</b>	<b>Type of mounting</b>	
	Without mounting bracket	
<b>WP</b>	Mounting bracket basic design	
<b>WPB</b>	Mounting bracket for large wall gap	
<b>WPM</b>	Mounting bracket for hooking in service unit components	

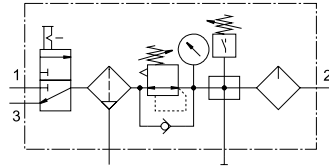
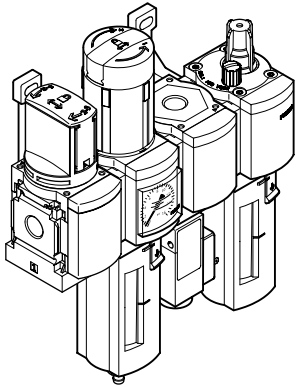
<b>006</b>	<b>EU certification</b>	
	None	
<b>EX2</b>	II 3GD to EU Explosion Protection Directive (ATEX)	
<b>EX4</b>	II 2GD	

<b>007</b>	<b>UL certification</b>	
	None	
<b>UL1</b>	cULus ordinary location for Canada and USA	

<b>008</b>	<b>Flow direction</b>	
	Flow direction from left to right	
<b>Z</b>	Flow direction from right to left	

## Datasheet

### Technical data – Combination 1



- For filtered and lubricated compressed air supply.
- Supply pressure can be switched on or off
- Output pressure is infinitely adjustable within the pressure regulation range
- The system is exhausted when switched off.
- Electrical pressure monitoring with adjustable switching pressure.
- Removal of filtered and unlubricated compressed air at the ports of the branching module.

#### Setup:

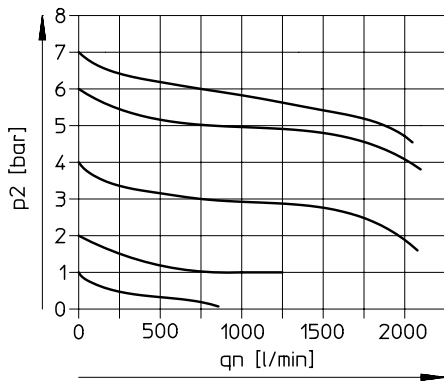
- On/off valve MS4-EM1, manually operated
- Filter control valve MS4-LFR-D7 with pressure gauge
- Branching module MS4-FRM-Y with pressure switch without display
- Lubricator MS4-LOE-R
- Mounting bracket MS4-WP

Size	4
Condensate drain	Manually rotating
Grade of filtration	40 µm
Pneumatic connection, port 1	G1/4
Pneumatic connection, port 2	G1/4
Controller function	Output pressure constant Via primary pressure compensation With secondary venting With return flow function
Type of mounting	With accessories
Mounting position	Vertical +/-5°
Air purity class at output	Compressed air to ISO 8573-1:2010 [7:4:-]
Bowl guard	Plastic bowl guard
Actuator lock	Rotary knob with detent can be closed with accessories
Pressure gauge (ANALOG) or Pressure display (DIGITAL)	With pressure gauge
Pressure regulation range	1 ... 12 bar
Operating pressure	1.5 ... 14 bar
Operating medium	Compressed air to ISO 8573-1:2010 [7:4:4], Inert gases
Note on operating and pilot medium	Lubricated operation possible (in which case lubricated operation will always be required)
Ambient temperature	-10 ... 60°C
Media temperature	-10 ... 60°C
Storage temperature	-10 ... 60°C
Corrosion resistance class CRC <sup>1)</sup>	2 - Moderate corrosion stress
Suitable for use with food <sup>2)</sup>	See supplementary material information
Material housing	Die-cast aluminium
Material bowl	PC
LABS (PWIS) conformity	VDMA24364-B1/B2-L

1) More information [www.festo.com/x/topic/kbk](http://www.festo.com/x/topic/kbk)

2) More information [www.festo.com/catalogue/msb4](http://www.festo.com/catalogue/msb4) → Support/Downloads.

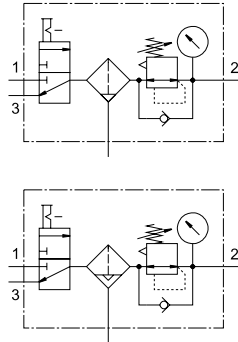
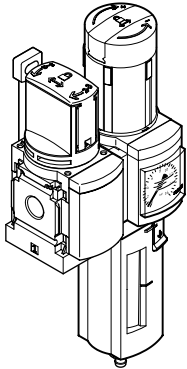
## Datasheet

Standard flow rate  $q_n$  as a function of output pressure  $p_2$  (combination 1)

Grade of filtration 40  $\mu\text{m}$   
Pressure regulation range 1 ... 12 bar  
Primary pressure  $p_1 = 10$  bar

## Datasheet

### Technical data – Combination 2



- For filtered and unlubricated compressed air supply.
- Supply pressure can be switched on or off
- Output pressure is infinitely adjustable within the pressure regulation range

Setup:

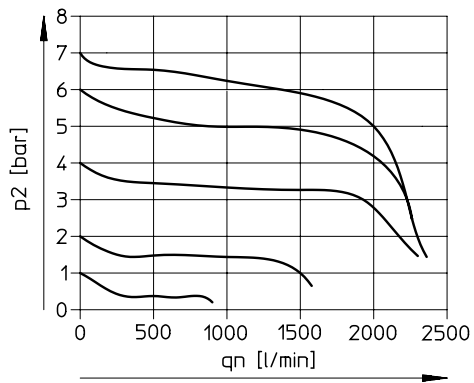
- On/off valve MS4-EM1, manually operated
- Filter regulator MS4-LFR with pressure gauge
- Mounting bracket MS4-WP

Size	4			
Condensate drain	Fully automatic		Manually rotating	
Grade of filtration	5 µm	40 µm	5 µm	40 µm
Pneumatic connection, port 1	G1/4			
Pneumatic connection, port 2	G1/4			
Controller function	Output pressure constant Via primary pressure compensation With secondary venting With return flow function			
Type of mounting	With accessories			
Mounting position	Vertical +/-5°			
Air purity class at output	Compressed air to ISO 8573-1:2010 [6:4:4]	Compressed air to ISO 8573-1:2010 [7:4:4]	Compressed air to ISO 8573-1:2010 [6:4:4]	Compressed air to ISO 8573-1:2010 [7:4:4]
Bowl guard	Plastic bowl guard			
Actuator lock	Rotary knob with detent can be closed with accessories			
Pressure gauge (ANALOG) or Pressure display (DIGITAL)	With pressure gauge			
Pressure regulation range	0.5 ... 12 bar			
Operating pressure	2 ... 12 bar		0.8 ... 14 bar	
Operating medium	Compressed air to ISO 8573-1:2010 [7:4:4], Inert gases			
Note on operating and pilot medium	Lubricated operation possible (in which case lubricated operation will always be required)			
Ambient temperature	5 ... 60°C		-10 ... 60°C	
Media temperature	5 ... 60°C		-10 ... 60°C	
Storage temperature	-10 ... 60°C			
Corrosion resistance class CRC <sup>1)</sup>	2 - Moderate corrosion stress			
Suitable for use with food <sup>2)</sup>	See supplementary material information			
Material housing	Die-cast aluminium			
Material bowl	PC			
LABS (PWIS) conformity	VDMA24364-B1/B2-L			

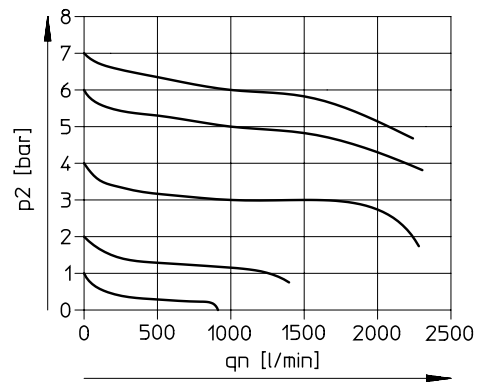
1) More information [www.festo.com/x/topic/kbk](http://www.festo.com/x/topic/kbk)

2) More information [www.festo.com/catalogue/msb4](http://www.festo.com/catalogue/msb4) → Support/Downloads.

## Datasheet

Standard flow rate  $q_n$  as a function of output pressure  $p_2$  (combination 2)

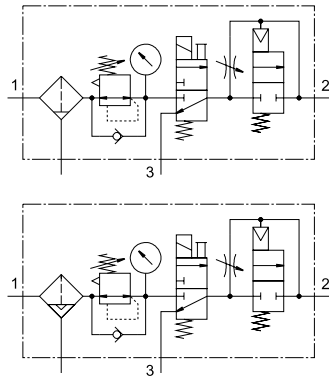
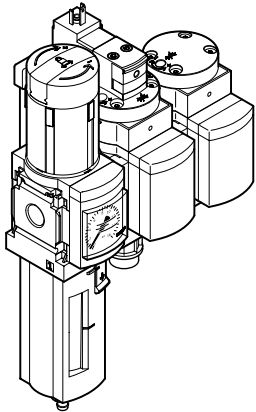
Grade of filtration 5  $\mu\text{m}$   
 Pressure regulation range 0.5 ... 12 bar  
 Primary pressure  $p_1 = 10$  bar

Standard flow rate  $q_n$  as a function of output pressure  $p_2$  (combination 2)

Grade of filtration 40  $\mu\text{m}$   
 Pressure regulation range 0.5 ... 12 bar  
 Primary pressure  $p_1 = 10$  bar

## Datasheet

### Technical data – Combination 3



- For filtered and unlubricated compressed air supply.
- Output pressure is infinitely adjustable within the pressure regulation range
- Gradual pressure build-up prevents sudden, unpredictable movements.
- When the unit is switched off, quick exhausting ensures rapid pressure reduction.

#### Setup:

- Filter control valve MS4-LFR-D7 with pressure gauge
- On/off valve MS4-EE-V24, electrically actuated
- Soft-start valve MS4-DL, pneumatically actuated
- Mounting bracket MS4-WP

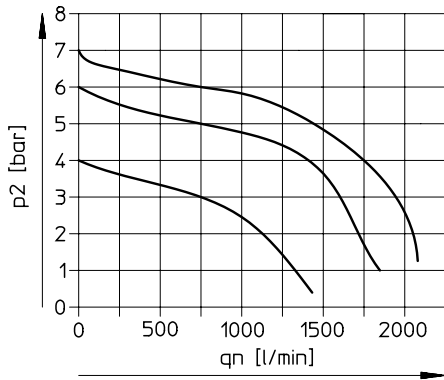
Size	4
Condensate drain	Manually rotating
Grade of filtration	40 µm
Pneumatic connection, port 1	G1/4
Pneumatic connection, port 2	G1/4
Controller function	Output pressure constant Via primary pressure compensation With secondary venting With return flow function
Type of mounting	With accessories
Mounting position	Vertical +/-5°
Air purity class at output	Compressed air to ISO 8573-1:2010 [7:4:4]
Bowl guard	Plastic bowl guard
Actuator lock	Rotary knob with detent can be closed with accessories
Pressure gauge (ANALOG) or Pressure display (DIGITAL)	With pressure gauge
Pressure regulation range	4 ... 12 bar
Operating pressure	4.5 ... 14 bar
Operating medium	Compressed air to ISO 8573-1:2010 [-:4:-], Inert gases
Note on operating and pilot medium	Lubricated operation possible (in which case lubricated operation will always be required)
Ambient temperature	-10 ... 60°C
Media temperature	-10 ... 60°C
Storage temperature	-10 ... 60°C
Corrosion resistance class CRC <sup>1)</sup>	2 - Moderate corrosion stress
Suitable for use with food <sup>2)</sup>	See supplementary material information
Material housing	Die-cast aluminium
Material bowl	PC
LABS (PWIS) conformity	VDMA24364-B1/B2-L

1) More information [www.festo.com/x/topic/kbk](http://www.festo.com/x/topic/kbk)

2) More information [www.festo.com/catalogue/msb4](http://www.festo.com/catalogue/msb4) → Support/Downloads.



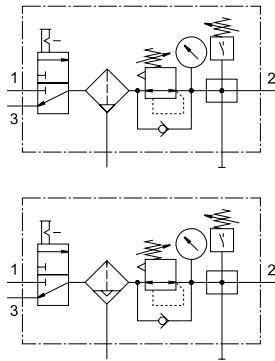
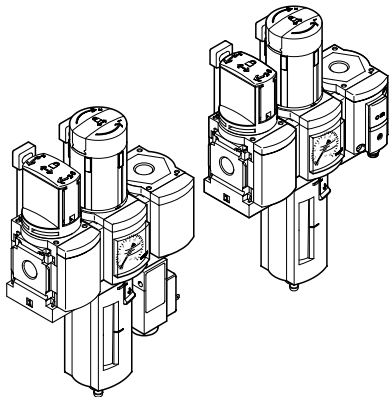
## Datasheet

Standard flow rate  $q_n$  as a function of output pressure  $p_2$  (combination 3)

Grade of filtration 40  $\mu\text{m}$   
Pressure regulation range 4 ... 12 bar  
Primary pressure  $p_1 = 10$  bar

## Datasheet

### Technical data – Combination 4



- For filtered and unlubricated compressed air supply.
- Supply pressure can be switched on or off
- Output pressure is infinitely adjustable within the pressure regulation range
- Electrical pressure monitoring with adjustable switching pressure.

Setup:

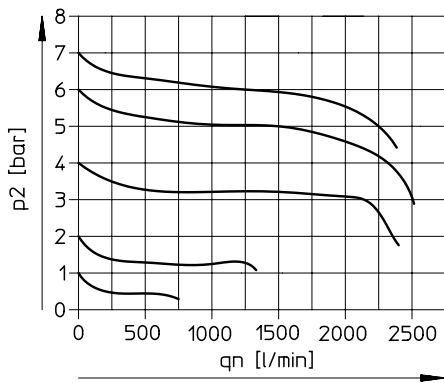
- On/off valve MS4-EM1, manually operated
- Filter regulator MS4-LFR with pressure gauge
- Branching module MS4-FRM-Y with pressure switch or MS4-FRM-AD7 with pressure sensor for switching indicator
- Mounting bracket MS4-WP

Size	4	
Condensate drain	Fully automatic	Manually rotating
Grade of filtration	40 µm	
Pneumatic connection, port 1	G1/4	
Pneumatic connection, port 2	G1/4	
Controller function	Output pressure constant Via primary pressure compensation With secondary venting With return flow function	
Type of mounting	With accessories	
Mounting position	Vertical +/-5°	
Air purity class at output	Compressed air to ISO 8573-1:2010 [7:4:4]	
Bowl guard	Plastic bowl guard	
Actuator lock	Rotary knob with detent can be closed with accessories	
Pressure gauge (ANALOG) or Pressure display (DIGITAL)	With pressure gauge	
Pressure regulation range	0.5 ... 12 bar	
Operating pressure	2 ... 12 bar	0.8 ... 14 bar
Operating medium	Compressed air to ISO 8573-1:2010 [7:4:4], Inert gases	
Note on operating and pilot medium	Lubricated operation possible (in which case lubricated operation will always be required)	
Ambient temperature	5 ... 60°C	-10 ... 60°C
Media temperature	5 ... 60°C	-10 ... 60°C
Storage temperature	-10 ... 60°C	
Corrosion resistance class CRC <sup>1)</sup>	2 - Moderate corrosion stress	
Suitable for use with food <sup>2)</sup>	See supplementary material information	
Material housing	Die-cast aluminium	
Material bowl	PC	
LABS (PWIS) conformity	VDMA24364-B1/B2-L	

1) More information [www.festo.com/x/topic/kbk](http://www.festo.com/x/topic/kbk)

2) More information [www.festo.com/catalogue/msb4](http://www.festo.com/catalogue/msb4) → Support/Downloads.

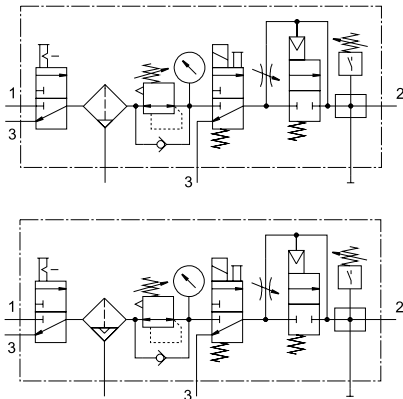
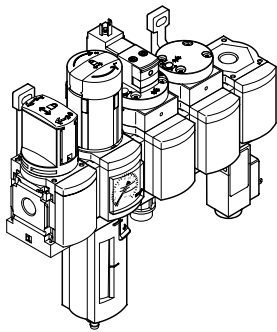
## Datasheet

Standard flow rate  $q_n$  as a function of output pressure  $p_2$  (Combination 4)

Grade of filtration 40  $\mu\text{m}$   
Pressure regulation range 0.5 ... 12 bar  
Primary pressure  $p_1 = 10$  bar

## Datasheet

### Technical data – Combination 5



- For filtered and unlubricated compressed air supply.
- Supply pressure can be switched on or off
- Output pressure is infinitely adjustable within the pressure regulation range
- Gradual pressure build-up prevents sudden, unpredictable movements
- To shut-off and exhaust the following device or the system
- Electrical pressure monitoring with adjustable switching pressure.

#### Setup:

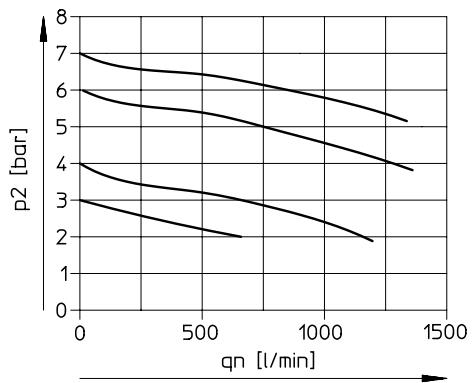
- On/off valve MS4-EM1, manually operated
- Filter regulator MS4-LFR with pressure gauge
- On/off valve MS...-EE-V24, electrically actuated
- Soft-start valve MS...-DL, pneumatically actuated
- Branching module MS...-FRM-Y with pressure switch without display
- Mounting bracket MS4-WP

Size	4	
Condensate drain	Fully automatic	Manually rotating
Grade of filtration	40 µm	
Pneumatic connection, port 1	G1/4	
Pneumatic connection, port 2	G1/4	
Controller function	Output pressure constant Via primary pressure compensation With secondary venting With return flow function	
Type of mounting	With accessories	
Mounting position	Vertical +/-5°	
Air purity class at output	Compressed air to ISO 8573-1:2010 [7:4:4]	
Bowl guard	Plastic bowl guard	
Actuator lock	Rotary knob with detent can be closed with accessories	
Pressure gauge (ANALOG) or Pressure display (DIGITAL)	With pressure gauge	
Pressure regulation range	4 ... 12 bar	
Operating pressure	4.5 ... 12 bar	4.5 ... 14 bar
Operating medium	Compressed air to ISO 8573-1:2010 [7:4:4], Inert gases	
Note on operating and pilot medium	Lubricated operation possible (in which case lubricated operation will always be required)	
Ambient temperature	5 ... 60°C	-10 ... 60°C
Media temperature	5 ... 60°C	-10 ... 60°C
Storage temperature	-10 ... 60°C	
Corrosion resistance class CRC <sup>1)</sup>	2 - Moderate corrosion stress	
Suitable for use with food <sup>2)</sup>	See supplementary material information	
Material housing	Die-cast aluminium	
Material bowl	PC	
LABS (PWIS) conformity	VDMA24364-B1/B2-L	

<sup>1)</sup> More information [www.festo.com/x/topic/kbk](http://www.festo.com/x/topic/kbk)

<sup>2)</sup> More information [www.festo.com/catalogue/msb4](http://www.festo.com/catalogue/msb4) → Support/Downloads.

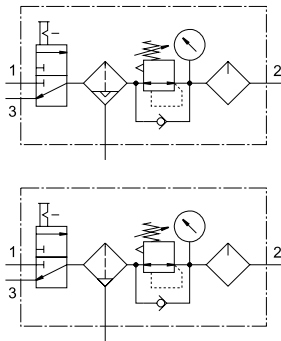
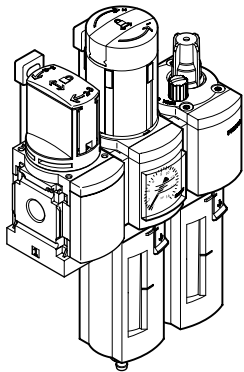
## Datasheet

Standard flow rate  $q_n$  as a function of output pressure  $p_2$  (combination 5)

Grade of filtration 40  $\mu\text{m}$   
Pressure regulation range 4 ... 12 bar  
Primary pressure  $p_1 = 10$  bar

## Datasheet

### Technical data – Combination 6



- For filtered and lubricated compressed air supply.
- Supply pressure can be switched on or off
- Output pressure is infinitely adjustable within the pressure regulation range

#### Setup:

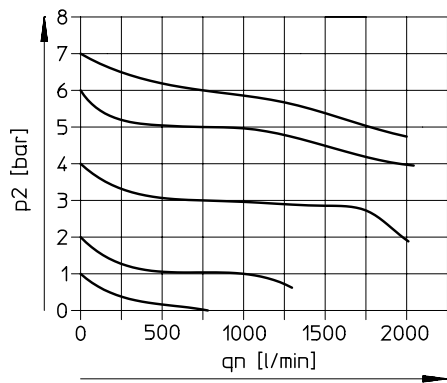
- On/off valve MS4-EM1, manually operated
- Filter control valve MS4-LFR-D7 with pressure gauge
- Lubricator MS4-LOE-R
- Mounting bracket MS4-WP

Size	4
Condensate drain	Manually rotating
Grade of filtration	40 µm
Pneumatic connection, port 1	G1/4
Pneumatic connection, port 2	G1/4
Controller function	Output pressure constant Via primary pressure compensation With secondary venting With return flow function
Type of mounting	With accessories
Mounting position	Vertical +/-5°
Air purity class at output	Compressed air to ISO 8573-1:2010 [7:4:-]
Bowl guard	Plastic bowl guard
Actuator lock	Rotary knob with detent can be closed with accessories
Pressure gauge (ANALOG) or Pressure display (DIGITAL)	With pressure gauge
Pressure regulation range	1 ... 12 bar
Operating pressure	1.5 ... 14 bar
Operating medium	Compressed air to ISO 8573-1:2010 [7:4:4], Inert gases
Note on operating and pilot medium	Lubricated operation possible (in which case lubricated operation will always be required)
Ambient temperature	-10 ... 60°C
Media temperature	-10 ... 60°C
Storage temperature	-10 ... 60°C
Corrosion resistance class CRC <sup>1)</sup>	2 - Moderate corrosion stress
Suitable for use with food <sup>2)</sup>	See supplementary material information
Material housing	Die-cast aluminium
Material bowl	PC
LABS (PWIS) conformity	VDMA24364-B1/B2-L

1) More information [www.festo.com/x/topic/kbk](http://www.festo.com/x/topic/kbk)

2) More information [www.festo.com/catalogue/msb4](http://www.festo.com/catalogue/msb4) → Support/Downloads.

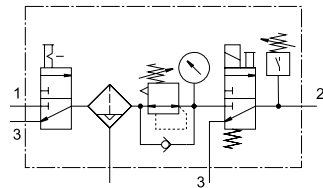
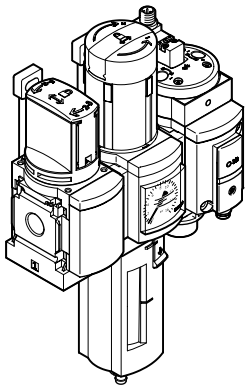
## Datasheet

Standard flow rate  $q_n$  as a function of output pressure  $p_2$  (combination 6)

Grade of filtration 40  $\mu\text{m}$   
Pressure regulation range 1 ... 12 bar  
Primary pressure  $p_1 = 10$  bar

## Datasheet

### Technical data – Combination 7



- For filtered and unlubricated compressed air supply.
- Supply pressure can be switched on or off
- Output pressure is infinitely adjustable within the pressure regulation range
- When the unit is switched off, quick exhausting ensures rapid pressure reduction.
- Electrical pressure monitoring with adjustable switching pressure.

#### Setup:

- On/off valve MS4-EM1, manually operated
- Filter regulator MS4-LFR with pressure gauge
- On/off valve MS4-EE-10V24P-AD7, electrically operated, with pressure sensor for switching indicator
- Mounting bracket MS4-WP

Size	4
Condensate drain	Manually rotating
Grade of filtration	40 µm
Pneumatic connection, port 1	G1/4
Pneumatic connection, port 2	G1/4
Controller function	Output pressure constant Via primary pressure compensation With secondary venting With return flow function
Type of mounting	With accessories
Mounting position	Vertical +/-5°
Air purity class at output	Compressed air to ISO 8573-1:2010 [7:4:4]
Bowl guard	Plastic bowl guard
Actuator lock	Rotary knob with detent can be closed with accessories
Pressure gauge (ANALOG) or Pressure display (DIGITAL)	With pressure gauge
Pressure regulation range	4 ... 10 bar
Operating pressure	4 ... 14 bar
Operating medium	Compressed air to ISO 8573-1:2010 [7:4:4], Inert gases
Note on operating and pilot medium	Lubricated operation possible (in which case lubricated operation will always be required)
Ambient temperature	0 ... 50°C
Media temperature	0 ... 50°C
Storage temperature	-10 ... 60°C
Corrosion resistance class CRC <sup>1)</sup>	2 - Moderate corrosion stress
Suitable for use with food <sup>2)</sup>	See supplementary material information
Material housing	Die-cast aluminium
Material bowl	PC
LABS (PWIS) conformity	VDMA24364-B1/B2-L

1) More information [www.festo.com/x/topic/kbk](http://www.festo.com/x/topic/kbk)

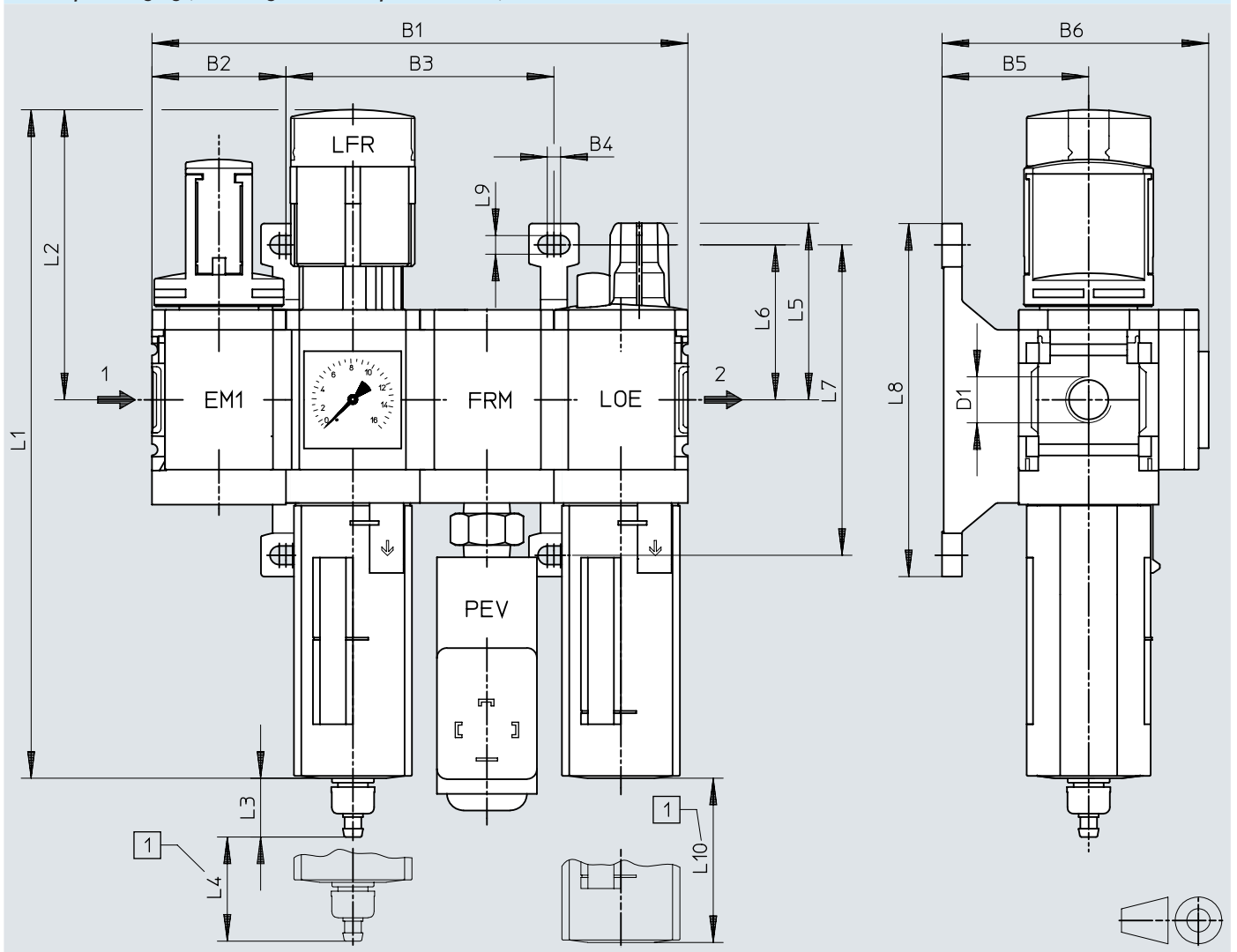
2) More information [www.festo.com/catalogue/msb4](http://www.festo.com/catalogue/msb4) → Support/Downloads.



## Dimensions

Dimensions – Combination 1 – Manually operated on/off valve, filter regulator with pressure gauge, branching module with pressure switch, lubricator

Download CAD data [www.festo.com](http://www.festo.com)



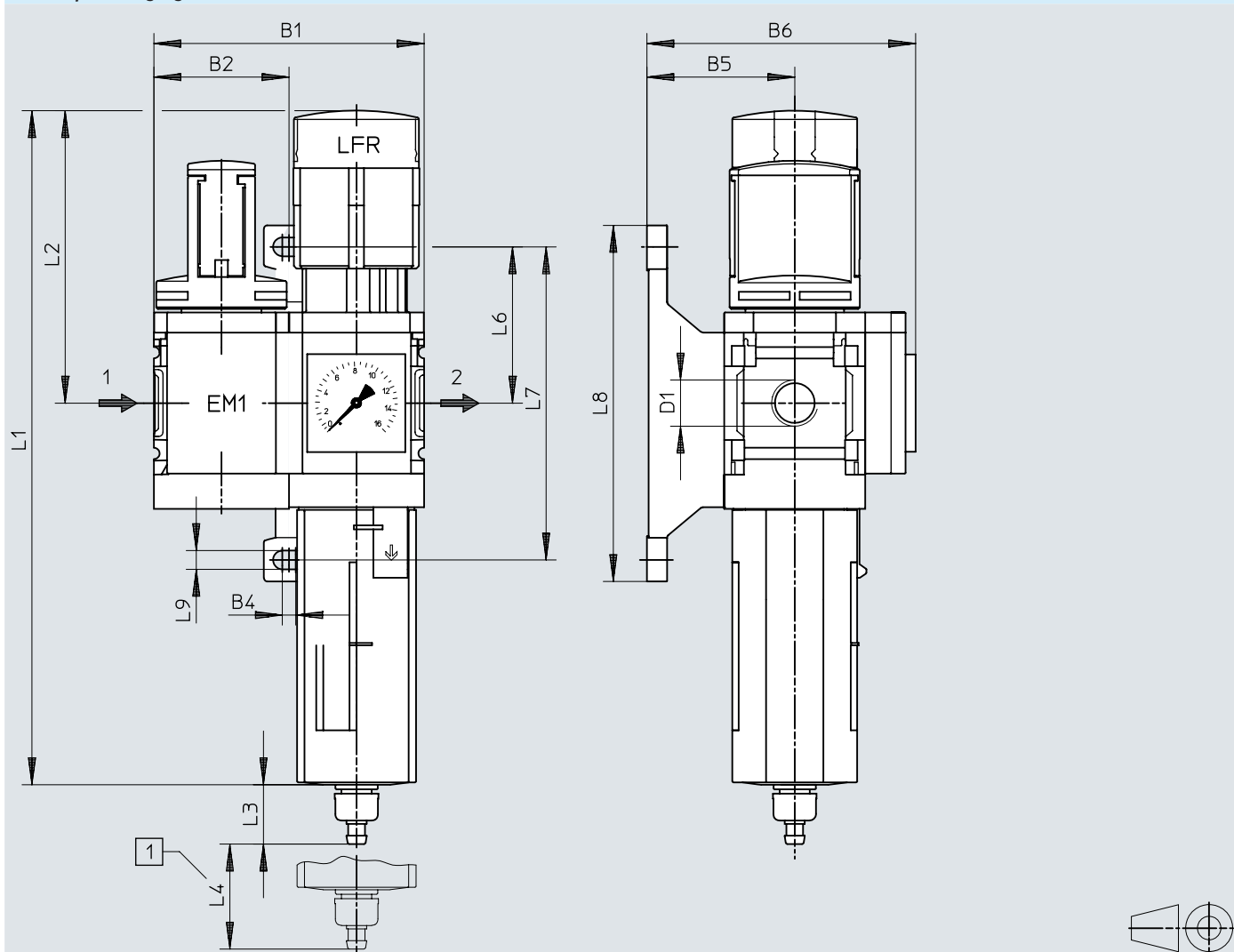
[1] Installation dimension

	B1	B2	B3	B4	B5	B6	D1	L1	L2	L3	L4	L5	L6	L7	L8	L9	L10
MSB4	160,8	40,2	80,4	4	44	80	G1/4	201	87	17,7	25	53	46,5	93,2	106	5,6	80

## Dimensions

Dimensions – Combination 2 – Manually operated on/off valve, filter regulator with pressure gauge

Download CAD data [www.festo.com](http://www.festo.com)



[1] Installation dimension

	B1	B2	B4	B5	B6	D1	L1	L2
MSB4	80,4	40,2	4	44	80	G1/4	201	87

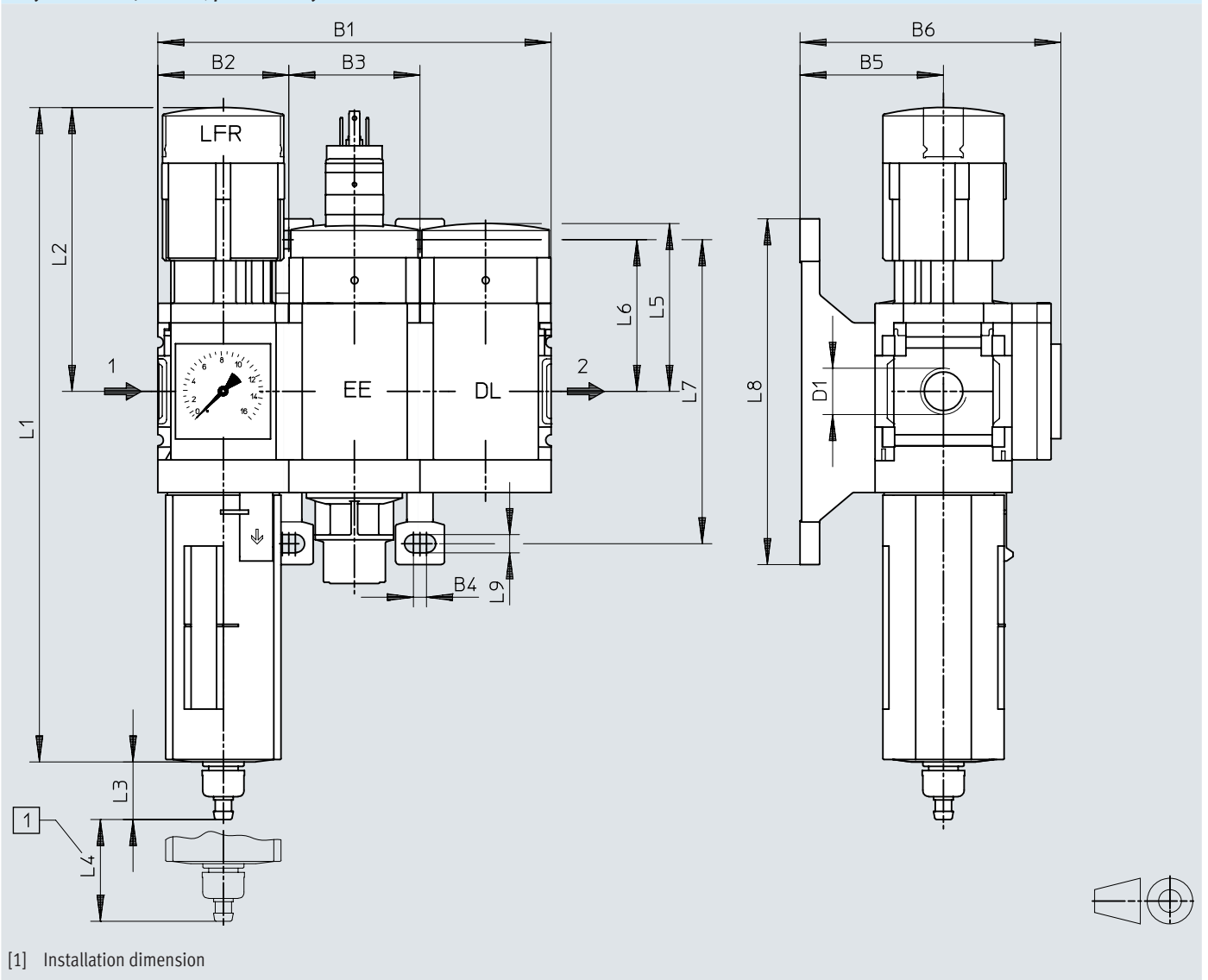
	L3		L4	L6	L7	L8	L9
	1)	2)					
MSB4	17,7	20,4	25	46,5	93,2	106	5,6

- 1) Manual condensate drain
- 2) Fully automatic condensate drain

## Dimensions

Dimensions – Combination 3 – Filter regulator with pressure gauge, electrically actuated on/off valve, pneumatically actuated soft-start valve

Download CAD data [www.festo.com](http://www.festo.com)



	B1	B2	B3	B4	B5	B6	D1	L1	L2
MSB4	120,6	40,2	40,2	4	44	80	G1/4	201	87

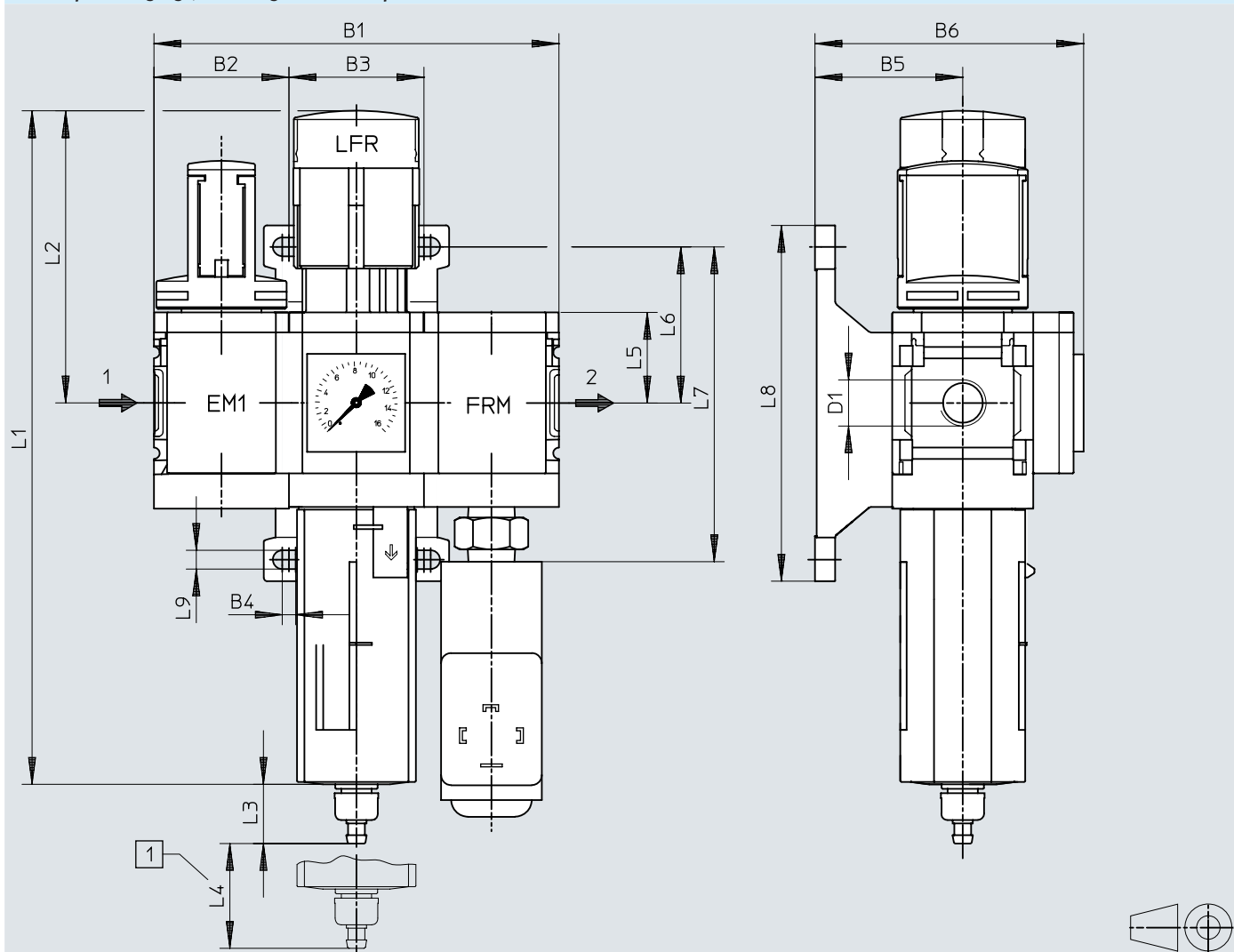
	L3		L4	L5	L6	L7	L8	L9
	1)	2)						
MSB4	17,7	–	25	51,7	46,5	93,2	106	5,6

- 1) Manual condensate drain
- 2) Fully automatic condensate drain

## Dimensions

Dimensions – Combination 4 – Manually operated on/off valve, filter regulator with pressure gauge, branching module with pressure switch

Download CAD data [www.festo.com](http://www.festo.com)



[1] Installation dimension

	B1	B2	B3	B4	B5	B6	D1	L1	L2
MSB4	120,6	40,2	40,2	4	44	80	G1/4	201	87

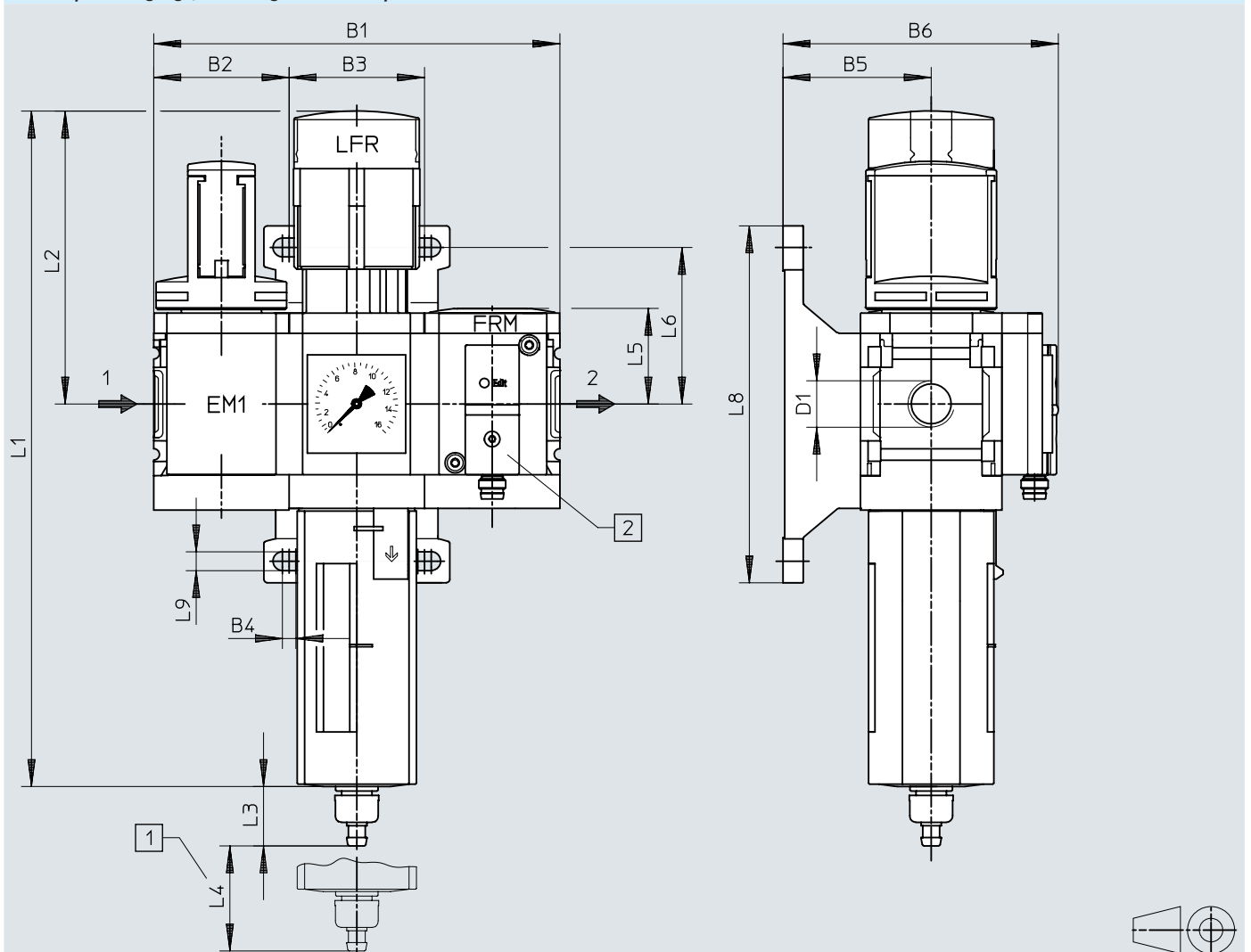
	L3		L4	L5	L6	L7	L8	L9
	1)	2)						
MSB4	17,7	20,4	25	27	46,5	93,2	106	5,6

- 1) Manual condensate drain
- 2) Fully automatic condensate drain

## Dimensions

Dimensions – Combination 4 – Manually operated on/off valve, filter regulator with pressure gauge, branching module with pressure sensor

Download CAD data [www.festo.com](http://www.festo.com)



[1] Installation dimension

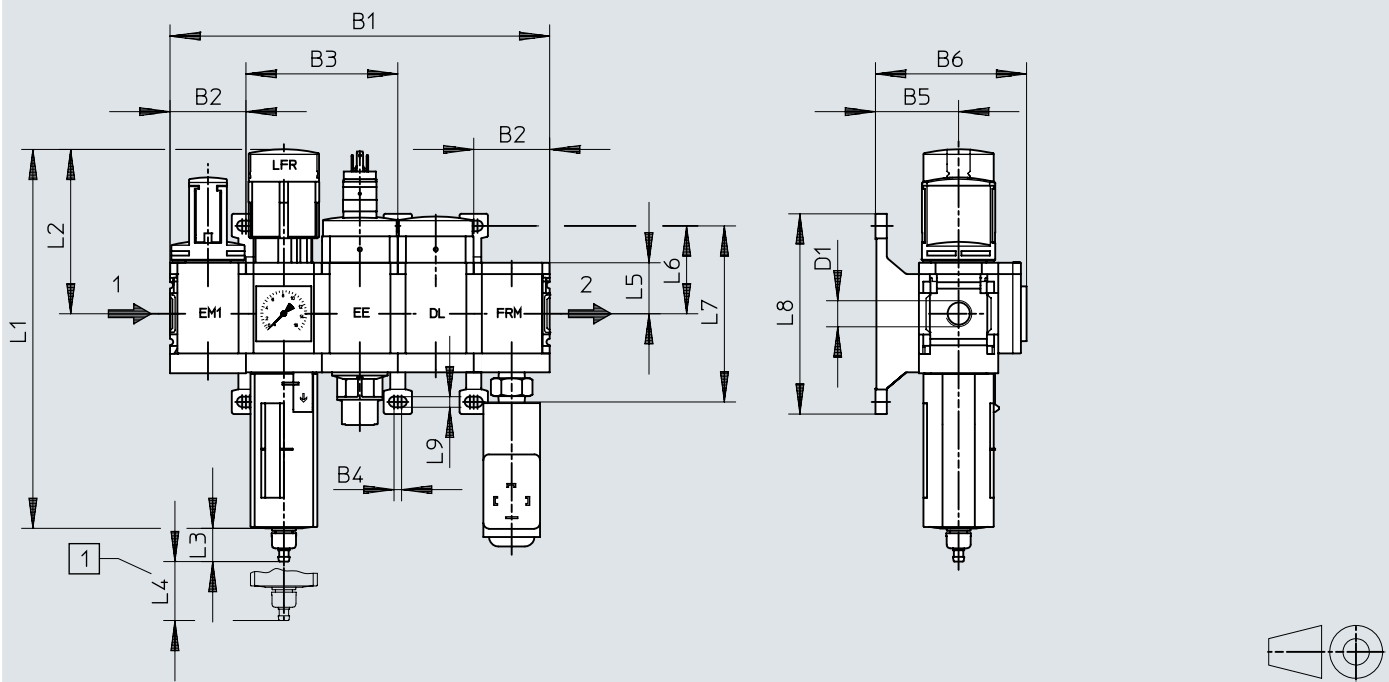
[2] Pressure sensor SDE5-D10-O-...-P-M8 with 3-pin plug M8x1, threshold value comparator, 1 switching output PNP, N/O contact

	B1	B2	B3	B4	B5	B6	D1	L1	L2	L3	L4	L5	L6	L8	L9
MSB4	120,6	40,2	40,2	4	44	82	G1/4	201	87	17,7	25	29,4	46,5	106	5,6

## Dimensions

Dimensions – Combination 5 – Manually operated on/off valve, filter regulator with pressure gauge, electrically actuated on/off valve, pneumatically actuated soft-start valve, branching module with pressure switch

Download CAD data [www.festo.com](http://www.festo.com)



[1] Installation dimension

	B1	B2	B3	B4	B5	B6	D1	L1	L2
MSB4	201	40,2	80,4	4	44	80	G1/4	201	87

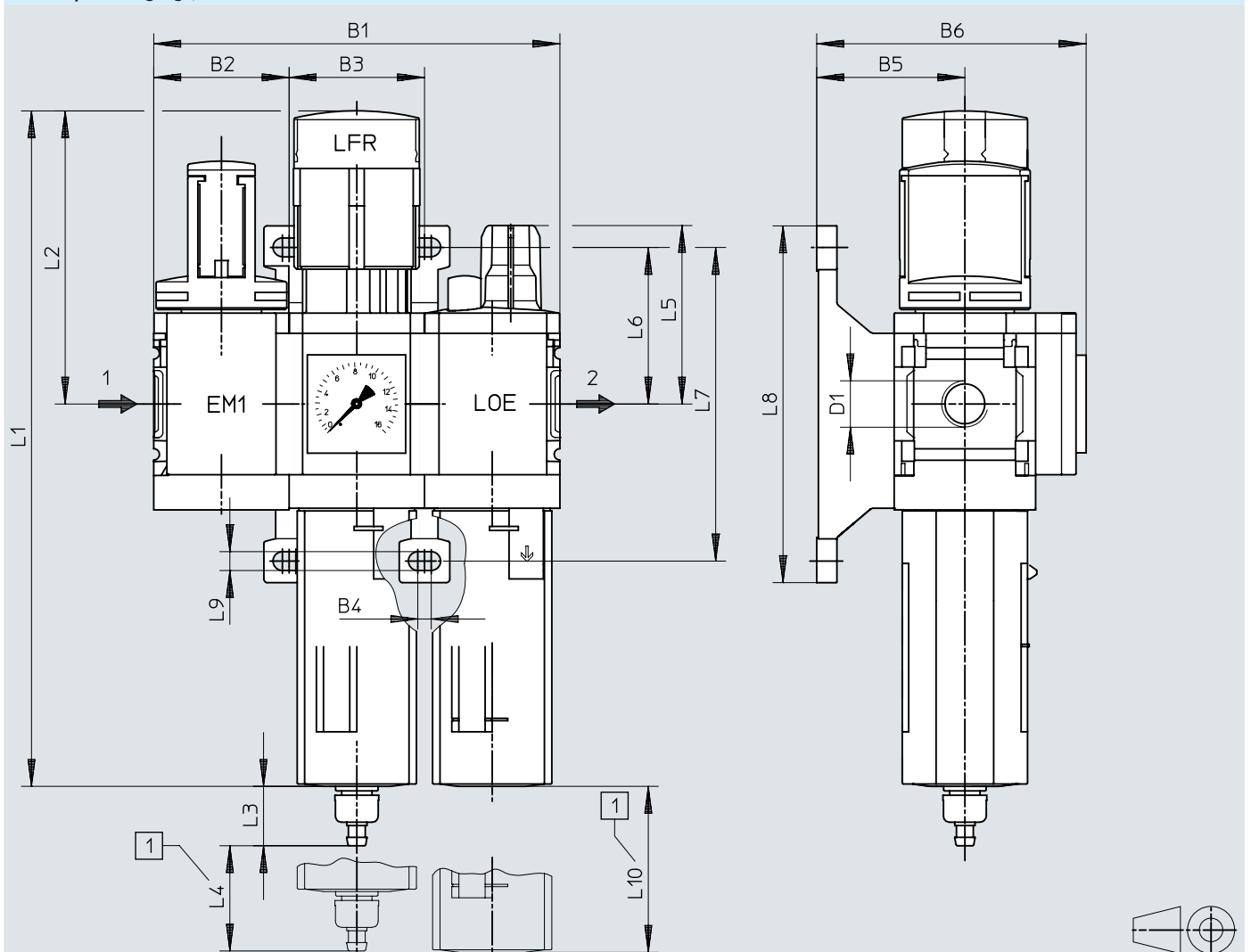
	L3		L4	L5	L6	L7	L8	L9
	1)	2)						
MSB4	17,7	20,4	25	27	46,5	93,2	106	5,6

- 1) Manual condensate drain
- 2) Fully automatic condensate drain

## Dimensions

Dimensions – Combination 6 – Manually operated on/off valve, filter regulator with pressure gauge, lubricator

Download CAD data [www.festo.com](http://www.festo.com)



[1] Installation dimension

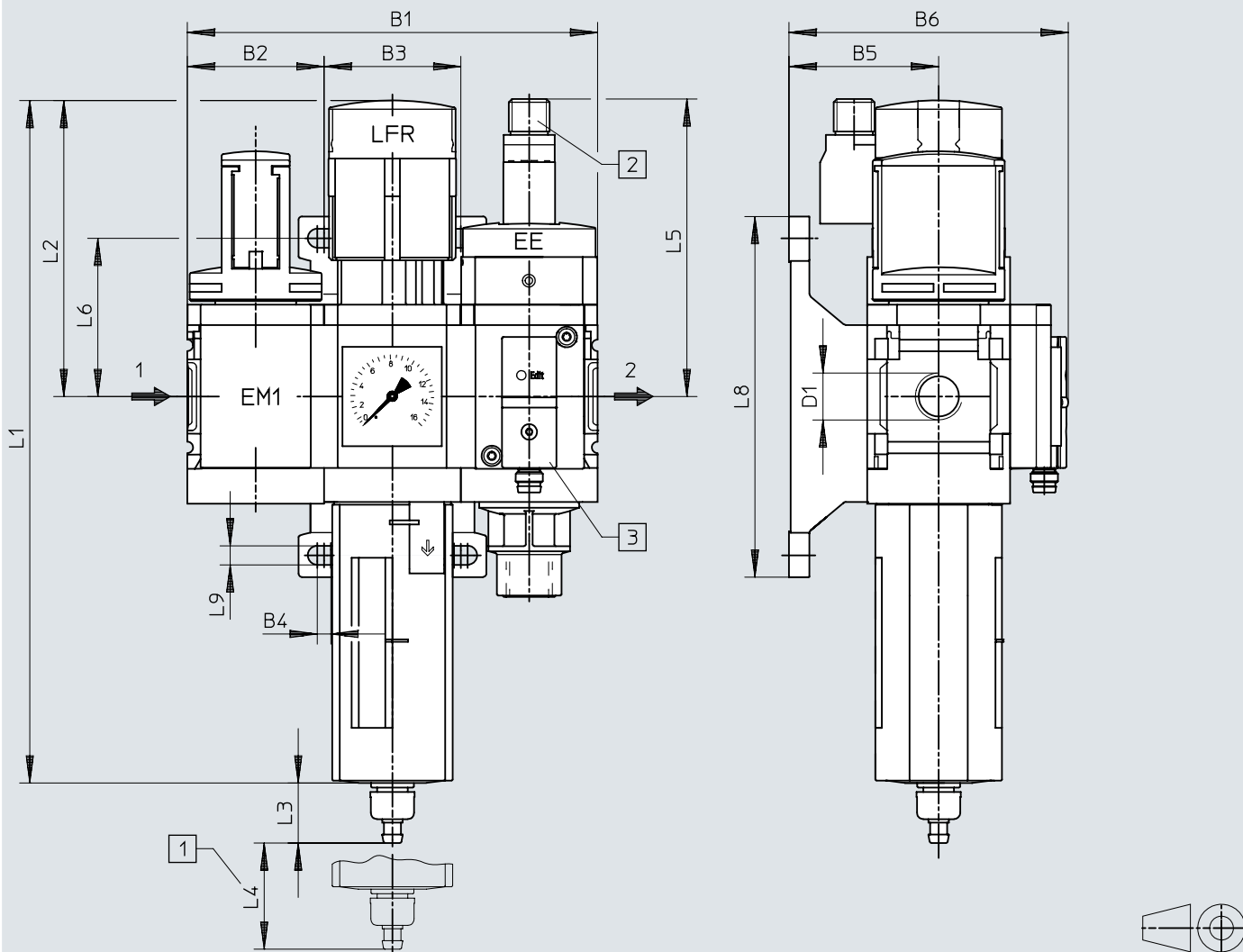
	B1	B2	B3	B4	B5	B6	D1	L1	L2
MSB4	120,6	40,2	40,2	4	44	80	G1/4	201	87
	L3		L4	L5	L6	L7	L8	L9	L10
	1)	2)							
MSB4	17,7	–	25	53	46,5	93,2	106	5,6	80

- 1) Manual condensate drain
- 2) Fully automatic condensate drain

## Dimensions

Dimensions – Combination 7 – Manually operated on/off valve, filter regulator with pressure gauge, electrically operated on/off valve with pressure sensor

Download CAD data [www.festo.com](http://www.festo.com)





- [1] Installation dimension
- [2] Electrical connection according to IEC 61076-2-101, plug M12x1, 2-pin for NEBA-M12
- [3] Pressure sensor SDE5-D10-O-...-P-M8 with 3-pin plug M8x1, threshold value comparator, 1 switching output PNP, N/O contact


	B1	B2	B3	B4	B5	B6	D1	L1	L2	L3	L4	L5	L6	L8	L9
MSB4	120,6	40,2	40,2	4	44	82	G1/4	201	87	17,7	25	86,3	46,5	106	5,6




## Ordering data

Ordering data – Combination 1						
	Pressure regulation range	Condensate drain	Grade of filtration	Product weight	Part no.	Type
	1 ... 12 bar	Manually rotating	40 µm	1,700 g	542295	MSB4-1/4:C3J1F3M1-WP


Ordering data – Combination 2						
	Pressure regulation range	Condensate drain	Grade of filtration	Product weight	Part no.	Type
	0.5 ... 7 bar	Manually rotating	40 µm	1,300 g	8042668	MSB4-1/4:C3J120-WP
	0.5 ... 12 bar	Fully automatic	5 µm		542310	MSB4-1/4:C3J4-WP
		Manually rotating	40 µm		542298	MSB4-1/4:C3J2-WP
			5 µm		542304	MSB4-1/4:C3J3-WP
			40 µm		★ 8025354	MSB4-1/4:C3J1-WP

Ordering data – Combination 3						
	Pressure regulation range	Condensate drain	Grade of filtration	Product weight	Part no.	Type
	4 ... 12 bar	Manually rotating	40 µm	1,600 g	531101	MSB4-1/4:J1D1A1-WP


Ordering data – Combination 4						
	Pressure regulation range	Condensate drain	Grade of filtration	Product weight	Part no.	Type
	0.5 ... 7 bar	Manually rotating	40 µm	1,500 g	8042667	MSB4-1/4:C3J120:F12-WP

## Ordering data


### Ordering data – Combination 4

	Pressure regulation range	Condensate drain	Grade of filtration	Product weight	Part no.	Type
	0.5 ... 10 bar	Manually rotating	40 µm	1,500 g	<b>8025356</b>	<b>MSB4-1/4:C3:J1:F12-WP</b>
	0.5 ... 12 bar	Fully automatic			<b>542300</b>	<b>MSB4-1/4:C3J2F3-WP</b>
		Manually rotating			<b>542294</b>	<b>MSB4-1/4:C3J1F3-WP</b>


### Ordering data – Combination 5

	Pressure regulation range	Condensate drain	Grade of filtration	Product weight	Part no.	Type
	4 ... 12 bar	Fully automatic	40 µm	2,000 g	<b>542299</b>	<b>MSB4-1/4:C3J2D1A1F3-WP</b>
		Manually rotating			<b>542293</b>	<b>MSB4-1/4:C3J1D1A1F3-WP</b>


### Ordering data – Combination 6

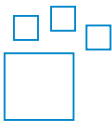
	Pressure regulation range	Condensate drain	Grade of filtration	Product weight	Part no.	Type
	1 ... 12 bar	Manually rotating	40 µm	1,500 g	<b>542296</b>	<b>MSB4-1/4:C3J1M1-WP</b>

### Ordering data – Combination 7

	Pressure regulation range	Condensate drain	Grade of filtration	Product weight	Part no.	Type
	4 ... 7 bar	Manually rotating	40 µm	1,600 g	<b>8042666</b>	<b>MSB4-1/4:C3:J120:D14-WP</b>

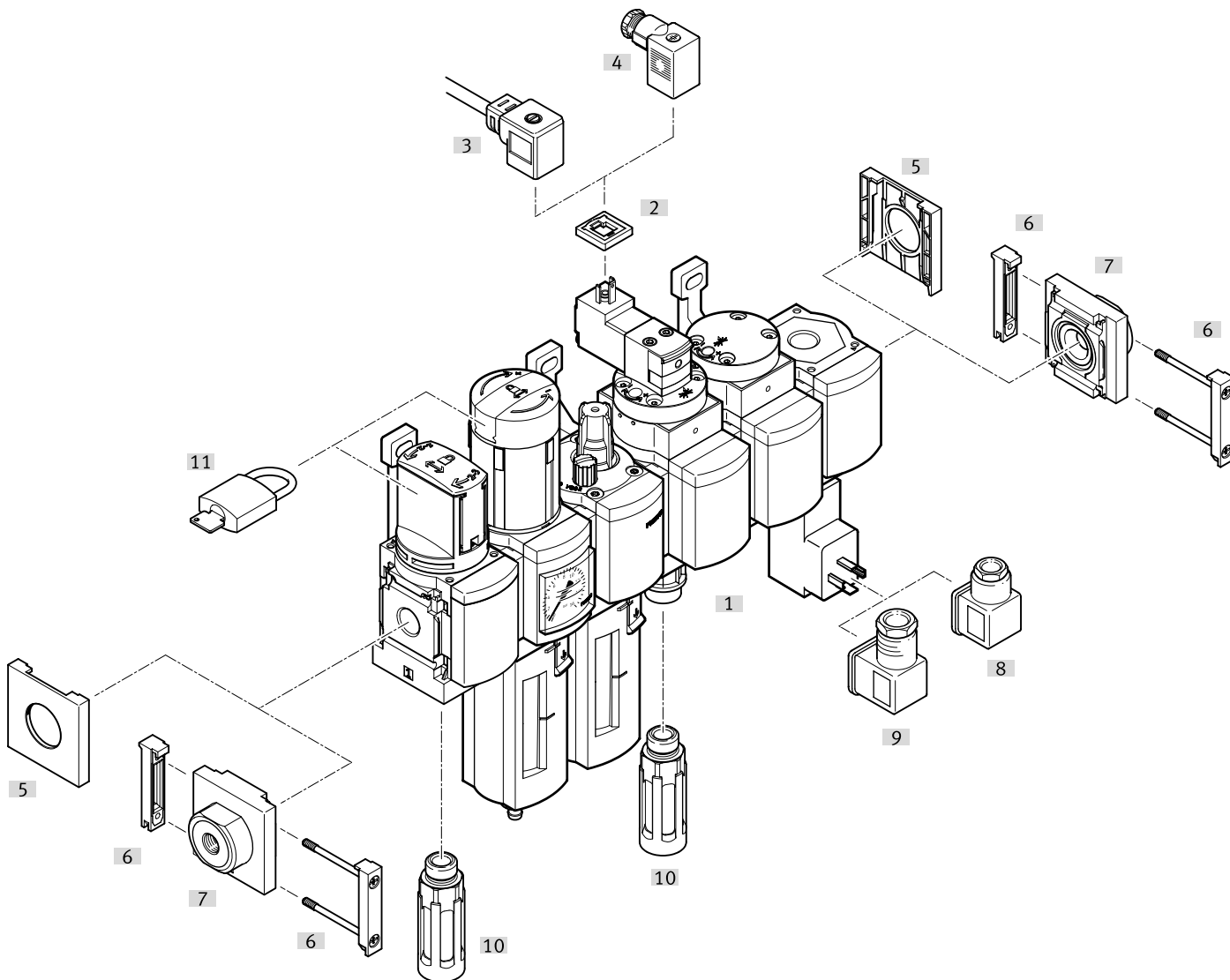
## Ordering data

Ordering data – Combination 7						
	Pressure regulation range	Condensate drain	Grade of filtration	Product weight	Part no.	Type
	4 ... 10 bar	Manually rotating	40 µm	1,600 g	<b>8025358</b>	<b>MSB4-1/4:C3:J1:D14-WP</b>

Ordering information – Modular product system			
	Short type code	Part no.	Type
	MSB4	<b>531029</b>	<b>MSB4</b>

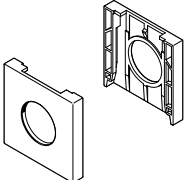
## Peripherals

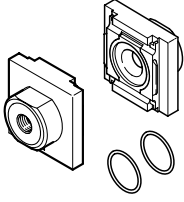
### Peripherals overview

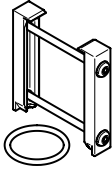


Accessories		→ Link
Type/order code	Description	
[1]	Service unit combination MSB4	<a href="#">msb4</a>
[2]	Illuminating seal MEB-LD	<a href="#">30</a>
[3]	Plug socket with cable KMEB	<a href="#">30</a>
[4]	Plug socket MSSD-EB	<a href="#">30</a>
[5]	Cover cap MS4-END	<a href="#">29</a>
[6]	Module connector MS4-MV1	<a href="#">29</a>
[7]	Connecting plate SET MS4-AG...	Order code [AG...] <a href="#">29</a>
[8]	Plug socket MSSD-C-4P	<a href="#">30</a>
[9]	Angled plug socket PEV-1/4-WD-LED	<a href="#">29</a>
[10]	Silencer U	<a href="#">29</a>
[11]	Padlock LRVS-D	<a href="#">30</a>
[12]	Mounting bracket MS4-WP...	Order code [WP...] (not shown) <a href="#">31</a>

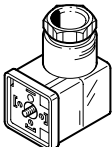
## Accessories

Cover cap MS4-END				
	Size	Part no.	Type	
	4	538779	MS4-END	

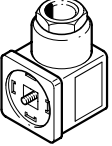
Connecting plate-SET MS4-AG...				
	Size	Pneumatic connection, port 1	Part no.	Type
	4	G1/8	526068	MS4-AGA
			541549	MS4-AGA-EX
		G1/4	★ 526069	MS4-AGB
			541550	MS4-AGB-EX
		G3/8	526070	MS4-AGC
			541551	MS4-AGC-EX

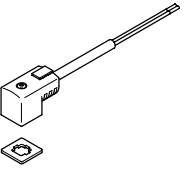
Module connector MS4-MV1				
	Size	Product weight	Part no.	Type
	4	13 g	★ 8119201	MS4-MV1

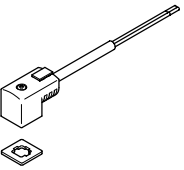
Silencer U				
	Pneumatic connection	Part no.	Type	
	G1/4	6842	U-1/4-B	
		★ 2316	U-1/4	

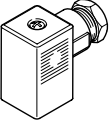
Angled plug socket PEV-1/4-WD-LED- ...						
	Electrical connection 1, used connections/cores	Switching status indication	Operational voltage range AC	Operational voltage range DC	Part no.	Type
	4	Yellow LED, Green LED		15 ... 30 V	164274	PEV-1/4-WD-LED-24
			150 ... 230 V	140 ... 180 V	164275	PEV-1/4-WD-LED-230

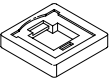
## Accessories

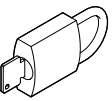
Plug socket MSSD-C-4P						
	Electrical connection	Cable fitting	Cable diameter	Product weight	Part no.	Type
	3-pin, Angled socket, Type A, To DIN EN 175301-803, Square design MSC, Square design MSN1	Pg 9	6 ... 8 mm	22 g	171157	MSSD-C-4P

Plug socket with cable KMEB 230V AC						
	Nominal operating voltage AC	Electrical connection 2, number of connections/cores	Cable length	Part no.	Type	
	230 V	3	2.5 m	151690	KMEB-1-230AC-2.5	
			5 m	151691	KMEB-1-230AC-5	

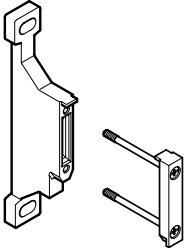
Plug socket with cable KMEB 24V DC						
	Nominal operating voltage DC	Electrical connection 2, number of connections/cores	Signal status display	Cable length	Part no.	Type
	24 V	2	Yellow LED	2.5 m	547270	KMEB-3-24-2.5
				5 m	547271	KMEB-3-24-5
				2.5 m	547268	KMEB-3-24-2.5-LED
				5 m	547269	KMEB-3-24-5-LED
		3	2.5 m	★ 151688	KMEB-1-24-2.5-LED	
			5 m	151689	KMEB-1-24-5-LED	
			10 m	193457	KMEB-1-24-10-LED	

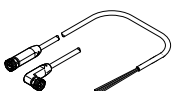
Plug socket MSSD-EB			
	Electrical connection	Part no.	Type
	3-pin, Socket, Angled socket, Type C, To DIN EN 175301-803, To DIN EN 61984, Square design MSEB, Square design MSN2	★ 151687	MSSD-EB
	4-pin, Socket, Type C	192745	MSSD-EB-S-M14

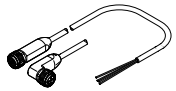
Illuminating seal MEB-LD				
	Operational voltage range DC	Nominal operating voltage AC	Part no.	Type
		230 V	151718	MEB-LD-230AC
	12 ... 24 V		151717	MEB-LD-12-24DC

Padlock LRVS-D				
	Short type code	Product weight	Part no.	Type
	LRVS-D	120 g	193786	LRVS-D

## Accessories

Mounting bracket MS4-WP...					
	Size	Product weight	Part no.	Type	
	4	39 g	541554	MS4-WP-EX	
			★ 532184	MS4-WP	
		45 g	526060	MS4-WPM-D	
		55 g	526063	MS4-WPB	
			541552	MS4-WPB-EX	
			526061	MS4-WPM-2D	

Connecting cable NEBA-M8						
	Electrical connection 1, connector system	Electrical connection 1, number of connections/cores	Electrical connection 1, cable outlet	Cable length	Part no.	Type
	M8x1, A-coded, to EN 61076-2-104	3	Straight	2.5 m	★ 8078223	NEBA-M8G3-U-2.5-N-LE3
				5 m	★ 8078224	NEBA-M8G3-U-5-N-LE3
			Angled	2.5 m	★ 8078230	NEBA-M8W3-U-2.5-N-LE3
				5 m	★ 8078231	NEBA-M8W3-U-5-N-LE3

Connecting cable NEBA-M12						
	Electrical connection 1, connector system	Electrical connection 1, number of connections/cores	Electrical connection 1, cable outlet	Cable length	Part no.	Type
	M12x1, A-coded to EN 61076-2-101	5	Straight	2.5 m	★ 8078239	NEBA-M12G5-U-2.5-N-LE4
				5 m	★ 8078240	NEBA-M12G5-U-5-N-LE4
			Angled	2.5 m	★ 8078248	NEBA-M12W5-U-2.5-N-LE4
				5 m	★ 8078249	NEBA-M12W5-U-5-N-LE4