

Active Carbon Filters MS6N-LFX – Inch Series



Active carbon filters remove liquid and gaseous oil particles as well as odor and taste from compressed air. Pre-filtration with a grade of 0.01 micron is required.

- Pneumatic connection: 1/4 NPT, 3/8 NPT, 1/2 NPT, 3/4 NPT
- Supply pressure 0 ... 294 psi
- Flow rate: 24.7 ... 42.4 scfm

Product Range Overview						
Type	Pneumatic connections		Bowl guard		Bowl drain	Reverse flow
	Body thread	Port plate	Plastic bowl guard	Metal bowl	Manual	Flow direction from right to left
MS6N		AG...	R	U	M	Z
LFX	1/4 NPT, 3/8 NPT, 1/2 NPT	1/4 NPT, 3/8 NPT, 1/2 NPT, 3/4 NPT	■	■	■	■

Features

- Removal of liquid and gaseous oil particles from compressed air using active carbon
- Eliminates odors and vapors
- Prefiltration with micro filter MS6-LFM-A, filtration grade 0.01 µm, is required.

Contents

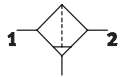
Technical Data	→ 852
Dimensional Drawings	→ 854
Ordering Data	→ 854
Accessories	→ 856
Replacement Parts	→ 800

→ www.festo.com/catalog/ms6n-lfx

Active Carbon Filters MS6N-LFX – Inch Series

Technical Data

ISO Symbol



Manual bowl drain



General Technical Data			
Pneumatic connection 1, 2	1/4 NPT	3/8 NPT	1/2 NPT
Air purity class at the output ¹⁾	1.7.1 to DIN ISO 8573-1		
Supply pressure [psi]	0 ... 294		

1) It is recommended to replace filter cartridges after 1,000 operating hours.

Standard Nominal Flow Rate qnN ²⁾ and Standard Flow Rate qn [scfm]			
Pneumatic connection 1, 2	1/4 NPT	3/8 NPT	1/2 NPT
qnN 1 → 2	24.7	35,3	42.4
qn max	31.8	31.8	31.8

2) Measured at p1 = 88 psi and Δp = 1.0 psi

Operating and Environmental Conditions	
Operating medium	Compressed air, filtered, unlubricated, filtration grade 0.01 μm
Bowl guard	Plastic bowl guard
	Metal bowl
Ambient temperature [°F]	14 ... 140
Temperature of medium [°F]	41 ... 86
Storage temperature [°F]	14 ... 140
Assembly position	Vertical ±5°
Corrosion resistance CRC ³⁾	2

3) Corrosion resistance class 2 according to Festo standard 940 070
 Components requiring moderate corrosion resistance. Externally visible parts with primarily decorative surface requirements which are in direct contact with a normal industrial environment or media such as coolants or lubricating agents.

Weights [lb]	
With plastic bowl guard	1.20
With metal bowl	1.64

- Filter cartridges → 800
- For spare parts go to: www.festo.com/en/spare_parts_service

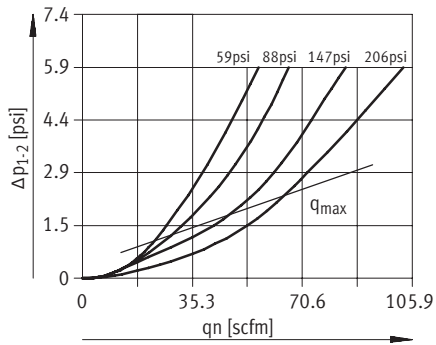
Active Carbon Filters MS6N-LFX – Inch Series

Technical Data

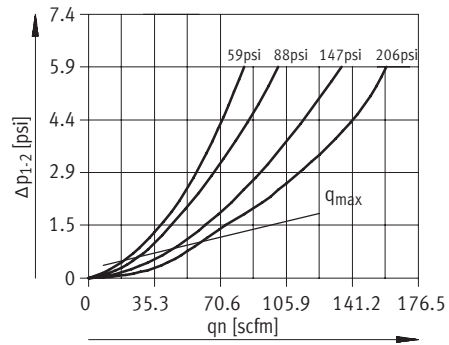


Standard Flow Rate q_n as a Function of the Differential Pressure Δp_{1-2}

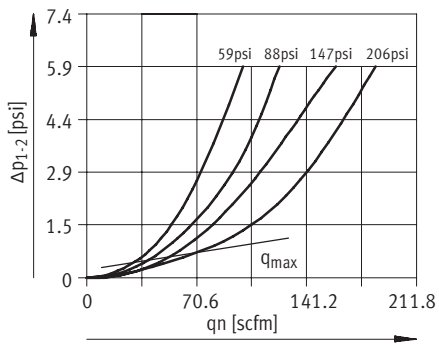
MS6N-LFX-1/4



MS6N-LFX-3/8

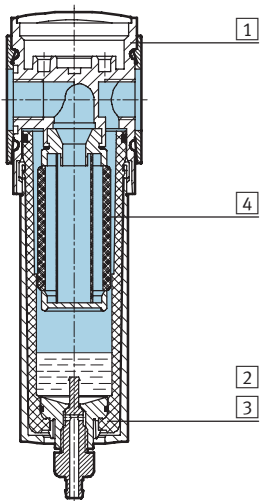


MS6N-LFX-1/2



Materials

Sectional view



Active carbon filter		
1	Body	Die-cast aluminum
2	Plastic bowl guard	Polycarbonate/polyamide
3	Metal bowl	Aluminum
	Viewing window	Polyamide
4	Filters	Active carbon
-	Seals	Nitrile rubber
Note on materials		Free of copper and PTFE

Active Carbon Filters MS6N-LFX – Inch Series

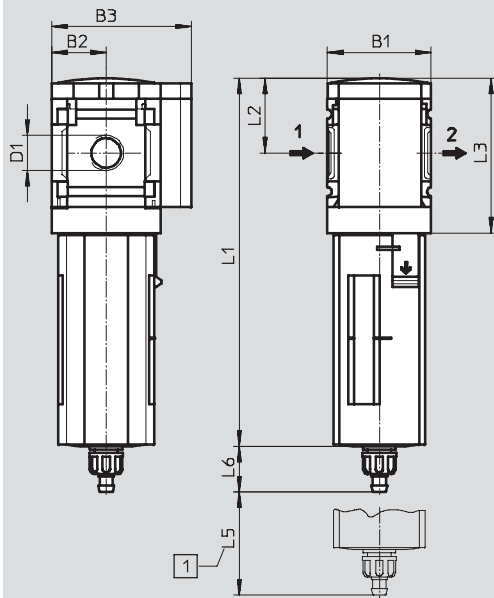


Dimensional Drawings, Ordering Data – Pre-configured Products

Dimensions¹⁾ – Standard

Download CAD Data → www.festo.com/us/cad

Manual bowl drain



1 Installation dimensions

→ Flow direction

Type	B1	B2	B3	D1	L1		L2	L3	L5	L6	
					Bowl guard					Plastic	Metal
					Plastic	Metal					
MS6N-LFX-1/4	2.44	1.22	2.99	1/4 NPT	7.56	7.80	1.65	3.43	3.94	0.62	0.75
MS6N-LFX-3/8				3/8 NPT							
MS6N-LFX-1/2				1/2 NPT							

1) Dimensions are in inches, unless otherwise noted.

Ordering Data

Bowl drain	Connection	Plastic bowl guard			Metal bowl		
		Part No.	Type	LT	Part No.	Type	LT
Manual	1/4 NPT	531920	MS6N-LFX-1/4-R	1D	531926	MS6N-LFX-1/4-U	Q
	3/8 NPT	531922	MS6N-LFX-3/8-R	1D	531928	MS6N-LFX-3/8-U	Q
	1/2 NPT	531921	MS6N-LFX-1/2-R	1D	531927	MS6N-LFX-1/2-U	Q

LT = Lead time

1D typically ships same day/next day

1W typically ships within 1 week

Q request a quote for lead time

Active Carbon Filters MS6N-LFX – Inch Series



Ordering Data – Configurable Products

M Mandatory Data						O Options		
Part No.	Series	Size	Thread	Function	Connection size	Bowl	Type of mounting	Reverse flow direction
527673	MS	6	N	LFX	1/4, 3/8, 1/2, AQN, AQP, AQR, AQS	R U	WP WPM WB	Z
Order example								
527673	MS	6	N	- LFX	- AQN	- R	- WP	- Z

Ordering Table		Grid dimension [mm]	62	Conditions	Code	Enter code
M	Part No.	527673				
	Series	Standard			MS	MS
	Size	6			6	6
	Thread	NPT thread			N	N
	Function	Activated carbon filter			-LFX	-LFX
	Connection size	Body thread 1/4 NPT			-1/4	
		Body thread 3/8 NPT			-3/8	
		Body thread 1/2 NPT			-1/2	
		Port plate 1/4 NPT (dimensions → 860)			-AQN	
		Port plate 3/8 NPT (dimensions → 860)			-AQP	
		Port plate 1/2 NPT (dimensions → 860)			-AQR	
	Bowl	Plastic bowl with plastic bowl guard			-R	
		Metal bowl			-U	
O	Type of mounting	Mounting bracket (dimensions → 861)		1	-WP	
		Mounting bracket (dimensions → 861)		1	-WPM	
		Mounting bracket (dimensions → 858)			-WB	
	Reverse flow direction	Flow direction from right to left			-Z	

1 WP, WPM Only with port plate AQN, AQP, AQR or AQS

Transfer order code

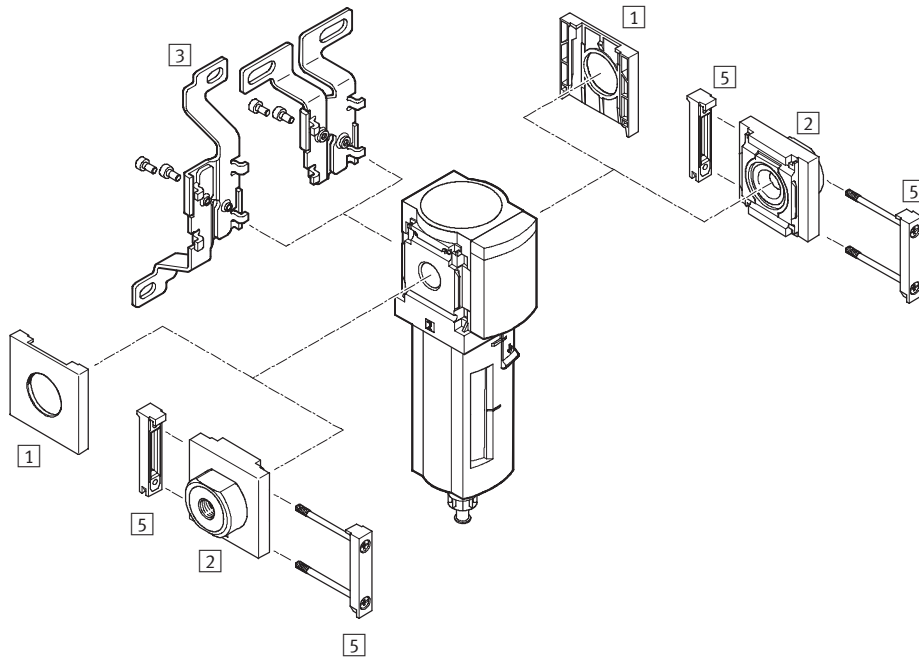
527673	MS	6	N	- LFX	-		-		-	
--------	----	---	---	-------	---	--	---	--	---	--

Active Carbon Filters MS6N-LFX – Inch Series

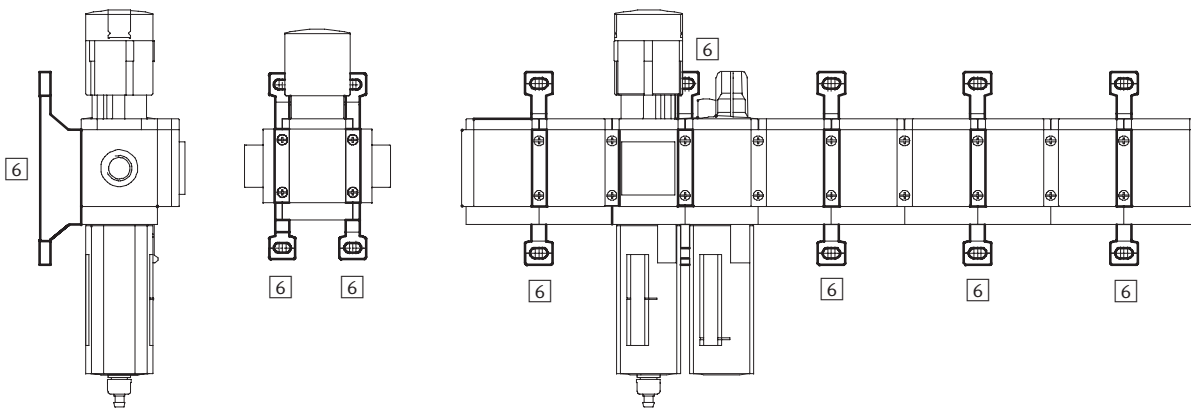
Accessories Overview



Mounting Attachments and Accessories



Single unit and combination unit mounting brackets.



Active Carbon Filters MS6N-LFX – Inch Series

Accessories Overview

FESTO

Mounting Attachments and Accessories						
		Single unit		Combination unit → 3.1-49		→ Page
		without port plate	with port plate	without port plate	with port plate	
1	Cover cap MS6-END	■	-	■	-	859
2	Port plate MS6N-AQ...	-	■	-	■	860
3	Mounting bracket MS6-WB	■	■	-	-	858
5	Body connector MS6-MV	-	■	■	■	860
6	Mounting bracket MS6-WP/WPB/WPM	-	■	■	■	861

Active Carbon Filters MS6N-LFX – Inch Series



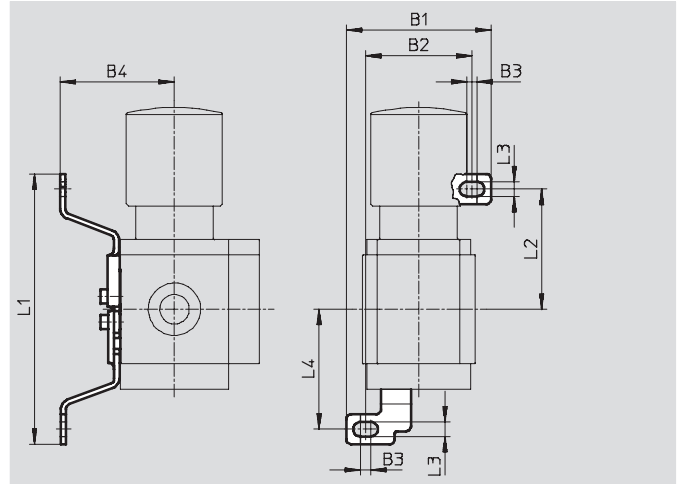
Accessories

3 Mounting bracket MS6-WB

- For wall mounting

Material:

Steel



Dimensions and Ordering Data										
B1	B2	B3	B4	L1	L2	L3	L4	Weight [lb]	Part No.	Type
3.13	2.44	0.18	2.17	6.20	2.80	0.26	2.80	0.24	532196	MS6-WB

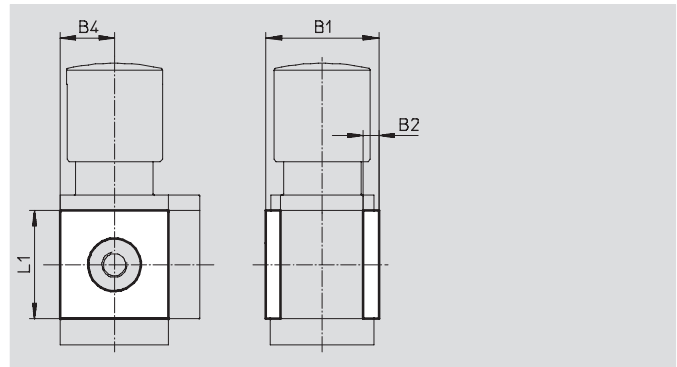
Active Carbon Filters MS6N-LFX – Inch Series

Accessories

1 Cover cap MS6-END

- Can be used to cover the body sides of the first and last module if port plates are not used.

Material:
Reinforced polyamide
Free of copper and PTFE

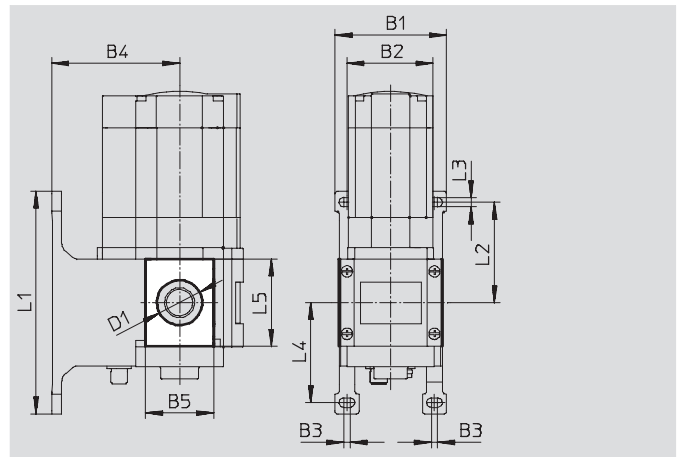


Dimensions and Ordering Data						
B1	B2	B4	L1	Part No.	Type	
2.64	0.31	1.22	2.44	538780	MS6-END	

Mounting plate MS6-AEND

- In combination with mounting bracket MS-WP or MS-WPB for mounting an individual unit with body thread on a wall

Material:
Reinforced polyamide
Conforms to RoHS
Free of copper and PTFE



Dimensions and Ordering Data															
B1	B2	B3	B4		B5	D1 ∅	L1	L2	L3	L4	L5	CRC ¹⁾	Weight [lb]	Part No.	Type
			WP	WPB											
3.11	2.44	0.18	2.13	3.56	1.91	1.26	6.22	2.80	0.26	2.80	2.44	2	0.03	535408	MS6-AEND

1) Corrosion resistance class 2 according to Festo standard 940 070
Components requiring moderate corrosion resistance. Externally visible parts with primarily decorative surface requirements which are in direct contact with a normal industrial environment or media such as coolants or lubricating agents.

Active Carbon Filters MS6N-LFX – Inch Series

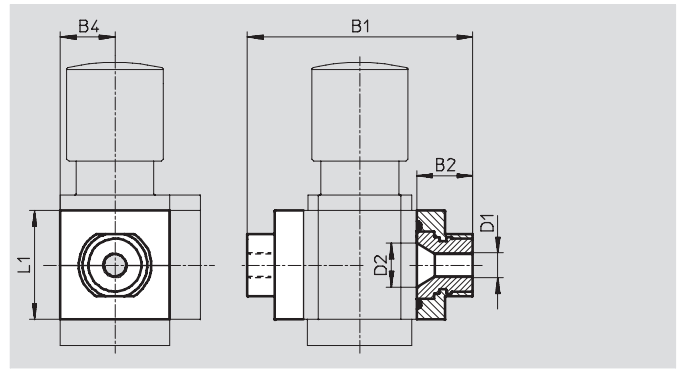
Accessories

FESTO

2 Port plate MS6N-AQ...

- Adapter for pneumatic connection
- MS6-AGE for implementing threaded connection 3/4 NPT

Material:
Aluminum



Dimensions and Ordering Data								
B1	B2	B4	D1	D2	L1	Weight [lb]	Part No.	Type
4.53	1.04	1.22	1/4 NPT	0.94	2.44	0.60	526076	MS6N-AQN
			3/8 NPT				526077	MS6N-AQP
			1/2 NPT				526078	MS6N-AQR
			3/4 NPT				526079	MS6N-AQS

5 Body connector MS6-MV

- For connecting modules

Material:
Stainless steel/polyacetate



Ordering Data		
Weight [lb]	Part No.	Type
0.11	532799	MS6-MV

Active Carbon Filters MS6N-LFX – Inch Series

Accessories



6 Mounting Bracket MS6-WP...

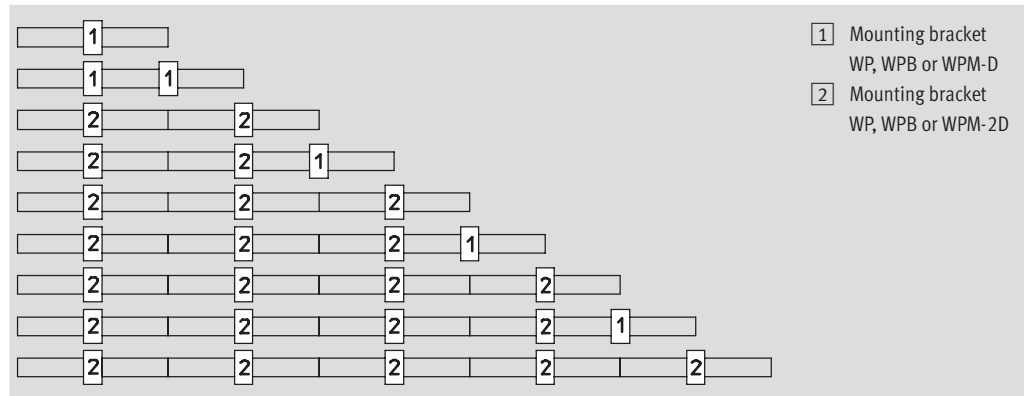
Suggested placement of wall mounting brackets when mounting air preparation combinations

1 unit: 2.44 in with WP, WPB
2.715 in with WPM-D

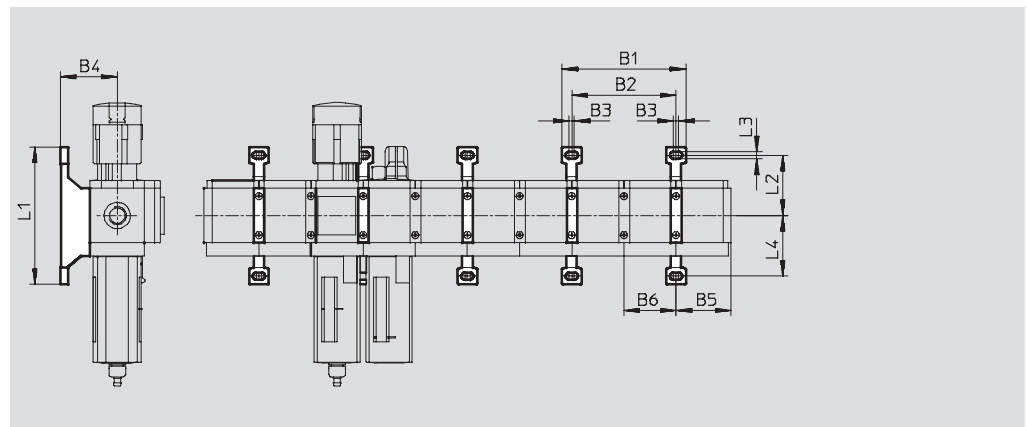
2 units: 4.88 in with WP, WPB
5.43 in with WPM-2D

Number of units

1 2 3 4 5 6 7 8 9 10



Mounting dimensions



Type	B1	B2	B3	B4	B5	B6	L1	L2	L3	L4
MS6-WP	5.55	4.88	0.18	2.13	2.54	2.44	6.22	2.80	0.26	2.80
MS6-WPB				3.56						1.63
MS6-WPM-...D	6.61	5.43	0.69	2.13	2.58	2.72	3.88	1.63		1.63

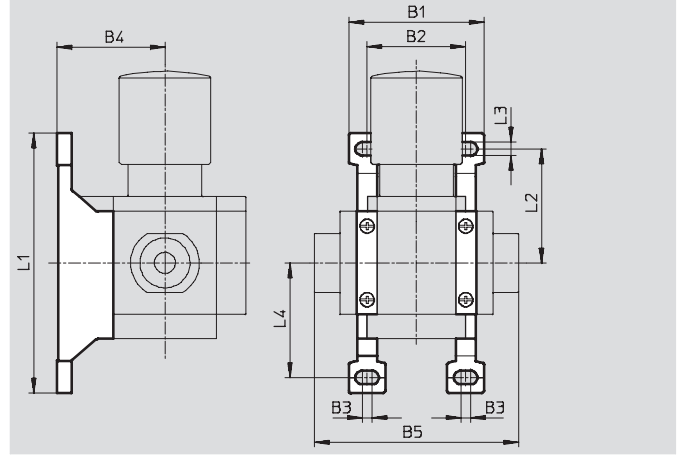
Active Carbon Filters MS6N-LFX – Inch Series



Accessories

Mounting bracket MS6-WP

- To connect the modules for wall mounting
- In combination with a port plate MS-AG... for mounting an individual unit on a wall
- In combination with mounting plate MS-AEND or for mounting an individual unit with body thread on a wall
- For pressure regulator LRB with angled outlet block B... at rear

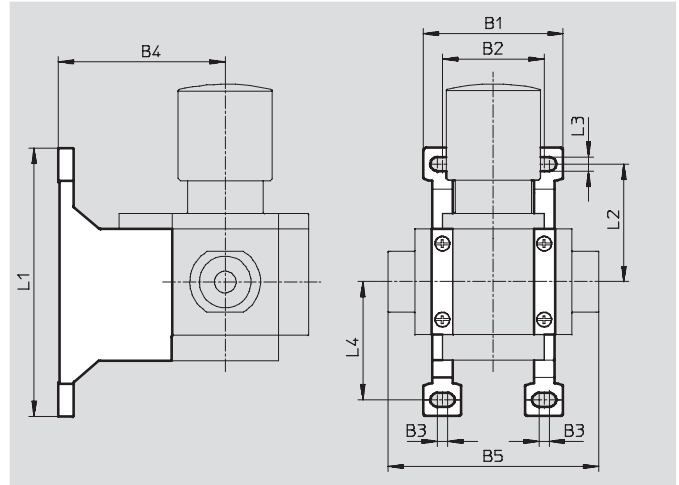


Material:
Die-cast aluminum

Dimensions and Ordering Data											
B1	B2	B3	B4	B5	L1	L2	L3	L4	Weight [lb]	Part No.	Type
3.11	2.44	0.18	2.13	4.53	6.22	2.80	0.26	2.80	0.15	532195	MS6-WP

Mounting bracket MS6-WPB

- To connect the modules for wall mounting
- In combination with a port plate MS-AG... for mounting an individual unit on a wall
- In combination with mounting plate MS-AEND or for mounting an individual unit with direct thread on a wall
- Provides large wall gap for pressure regulator



Material:
Die-cast aluminum

Dimensions and Ordering Data											
B1	B2	B3	B4	B5	L1	L2	L3	L4	Weight [lb]	Part No.	Type
3.11	2.44	0.18	3.56	4.53	6.22	2.80	0.26	2.80	0.23	526074	MS6-WPB

Active Carbon Filters MS6N-LFX – Inch Series

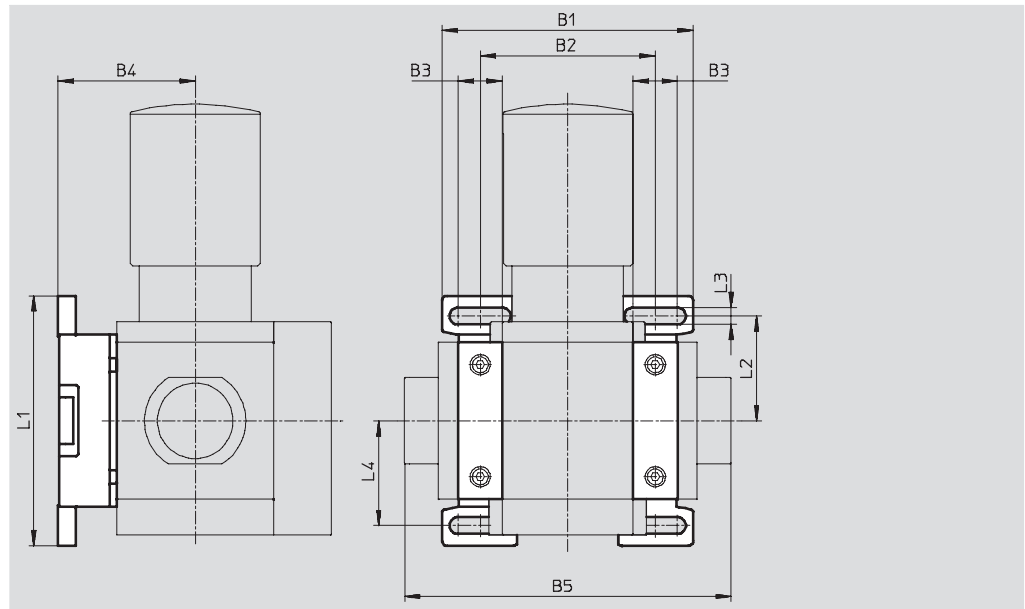
Accessories

Mounting bracket MS6-WPM

- To connect the modules for wall mounting
- In combination with a port plate MS-AG... for mounting an individual unit on a wall
- Speedy attachment and detachment
- For installation of modules with regulating knob pointing downwards

The distance piece D or 2D (designated in the type code) is included in the scope of delivery and ensures the correct clearance

Material:
Die-cast aluminum



Dimensions and Ordering Data												
B1	B2	B3	B4	B5	L1	L2	L3	L4	Clearance	Weight [lb]	Part No.	Type
3.90	2.72	0.69	2.13	5.08	3.88	1.63	0.26	1.63	2.44	0.29	526073	MS6-WPM-D
6.61	5.43			7.80					4.88			

Body connector MS6-MVM

- For installation of modules with regulating knob pointing downwards

Material:
Die-cast aluminum



Ordering Data		
Size	Part No.	Type
MS6	532801	MS6-MVM

Active Carbon Filters MS6N-LFX – Inch Series

Replacement Parts

FESTO



Ordering Data – Filter Cartridges			
Size	Filtration grade [µm]	Part No.	Type
MS6	Residual oil content $\leq 0.003 \text{ mg/m}^3$	532911	MS6-LFX

- For spare parts go to: www.festo.com/en/spare_parts_service

Festo - Your Partner in Automation



1 Festo Inc.
5300 Explorer Drive
Mississauga, ON L4W 5G4
Canada

Festo Customer Interaction Center
Tel: 1 877 463 3786
Fax: 1 877 393 3786
Email: customer.service.ca@festo.com

2 Festo Pneumatic
Av. Ceylán 3,
Col. Tequesquináhuac
54020 Tlalnepantla,
Estado de México

Multinational Contact Center
01 800 337 8669
ventas.mexico@festo.com

3 Festo Corporation
1377 Motor Parkway
Suite 310
Islandia, NY 11749

Festo Customer Interaction Center
1 800 993 3786
1 800 963 3786
customer.service.us@festo.com

4 Regional Service Center
7777 Columbia Road
Mason, OH 45040

Connect with us



www.festo.com/socialmedia



www.festo.com

Subject to change