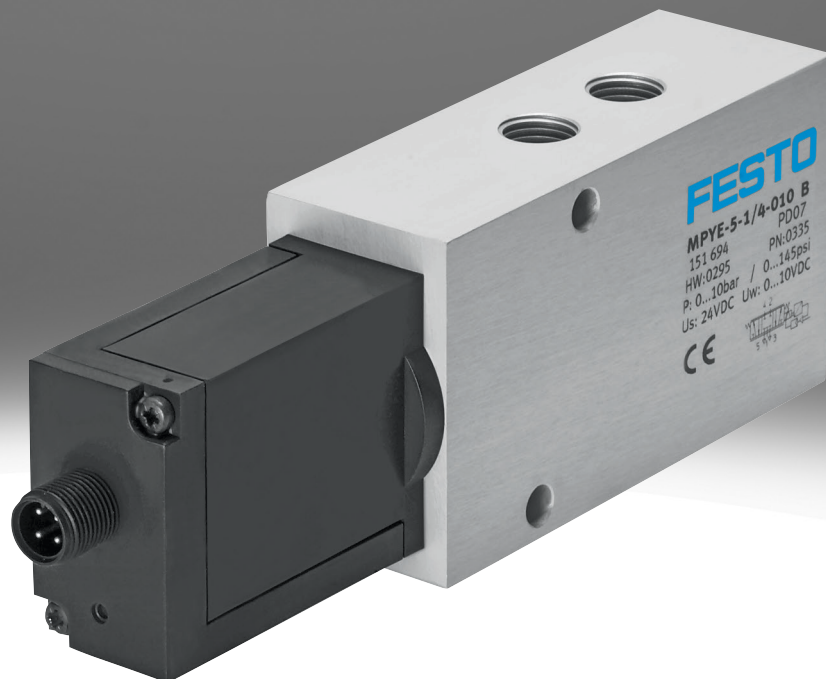


# Proportional directional control valve MPYE

**FESTO**



## Characteristics

### At a glance

General information:

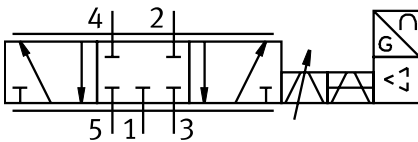
- The directly actuated proportional directional control valve has a position-controlled spool. This converts an analogue input signal into a corresponding opening cross-section at the valve outputs.
- In combination with an external position controller and displacement encoder, this can be used to create a precise pneumatic positioning system.
- Flow control function for varying the cylinder speed
- 5/3-way function to vary the direction of movement

Wide range of variants

- Setpoint input: analogue voltage signal; analogue current signal
- Flow rates from 100 ... 2000 l/min

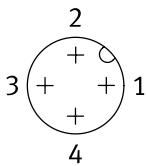
### Valve function

[P53C] 5/3-way valve, mid-position closed



### Series

[MPYE] Proportional directional control valve



Pin 1: 24 V DC, supply voltage

Pin 2: GND

Pin 3: Setpoint value input

Pin 4: GND

### Type code

<b>001</b>	<b>Series</b>	
<b>MPYE</b>	Proportional directional control valve	
<b>002</b>	<b>Valve function</b>	
<b>5</b>	5/3-way valve	
<b>003</b>	<b>Pneumatic connection</b>	
<b>M5</b>	M5	
<b>1/8</b>	G1/8	
<b>1/4</b>	G1/4	
<b>3/8</b>	G3/8	

<b>004</b>	<b>Flow rate</b>	
	Standard	
<b>HF</b>	High flow rate	
<b>LF</b>	Low flow rate	
<b>005</b>	<b>Setpoint input for individual valves</b>	
<b>010</b>	0 ... 10 V	
<b>420</b>	4 ... 20 mA	
<b>006</b>	<b>Generation</b>	
<b>B</b>	Series B	

## Datasheet

**General technical data**

Pneumatic connection, port 1	M5	G1/8			G1/4	G3/8
Standard nominal flow rate (standardised to DIN 1343)	100 l/min	350 l/min	700 l/min	1,400 l/min	2,000 l/min	
Valve function	5/3 closed					
Design	Piston gate valve					
Sealing principle	Hard					
Type of actuation	Electric					
Type of reset	Magnetic spring					
Type of piloting	Direct					
Flow direction	Non-reversible					
Type of mounting	With through-hole					
Mounting position <sup>1)</sup>	optional					
Nominal size	2 mm	4 mm	6 mm	8 mm	10 mm	
Product weight	255 g	285 g		510 g	685 g	

1) If the proportional directional control valve moves during operation, it must be mounted transverse to the direction of movement.

**Electrical data**

Pneumatic connection, port 1	M5		G1/8		G1/4		G3/8	
SETPOINT/ACTUAL values	Voltage type 0 - 10 V	Current type 4-20 mA	Voltage type 0 - 10 V	Current type 4-20 mA	Voltage type 0 - 10 V	Current type 4-20 mA	Voltage type 0 - 10 V	Current type 4-20 mA
Operational voltage range DC	17 ... 30 V							
Switching time	-							
Max. hysteresis <sup>1)</sup>	0.4%							
Duty cycle <sup>2)</sup>	-							
Residual ripple	5%							
Limit frequency <sup>3)</sup>	115 Hz		95 Hz		80 Hz		70 Hz	
Reverse polarity protection	For all electrical connections	For setpoint value	For all electrical connections	For setpoint value	For all electrical connections	For setpoint value	For all electrical connections	For setpoint value
Degree of protection	IP65							
Electrical connection	4-pin, M12x1, Plugs, Round design							

1) Related to the maximum stroke of the piston spool valve.

2) The proportional directional control valve switches off automatically (moves into the mid-position) if it overheats and switches on again once it has cooled down.

3) Corresponds to the 3 dB echo frequency at maximum movement stroke of the piston spool valve.

**Operating and ambient conditions**

Operating pressure	0 ... 1 MPa
Operating pressure	0 ... 10 bar
Operating medium	Compressed air to ISO 8573-1:2010 [6:4:4]
Note on operating and pilot medium	Lubricated operation not possible
Ambient temperature	0 ... 50°C
Media temperature	5 ... 40°C
Approval	RCM trademark
Shock resistance <sup>1)</sup>	-
Vibration resistance <sup>2)</sup>	-
CE mark (see declaration of conformity) <sup>3)</sup>	To EU EMC Directive In accordance with EU RoHS Directive
UKCA marking (see declaration of conformity) <sup>4)</sup>	To UK instructions for EMC To UK RoHS instructions
KC mark	KC-EMV
Corrosion resistance class CRC <sup>5)</sup>	2 - Moderate corrosion stress
Note on materials	RoHS-compliant
LABS (PWS) conformity	VDMA24364-B2-L

1) If the proportional directional control valve moves during operation, it must be mounted transverse to the direction of movement.

2) If the proportional directional control valve moves during operation, it must be mounted transverse to the direction of movement.

3) For information about the area of use, see the EC declaration of conformity at: [www.festo.com/catalogue/... d Support/Downloads](http://www.festo.com/catalogue/...d/Support/Downloads).

If the devices are subject to usage restrictions in residential, commercial or light-industrial environments, further measures for the reduction of the emitted interference may be necessary.

4) For information about the area of use, see the EC declaration of conformity at: [www.festo.com/catalogue/... d Support/Downloads](http://www.festo.com/catalogue/...d/Support/Downloads).

If the devices are subject to usage restrictions in residential, commercial or light-industrial environments, further measures for the reduction of the emitted interference may be necessary.

5) More information [www.festo.com/x/topic/crc](http://www.festo.com/x/topic/crc)

## Datasheet

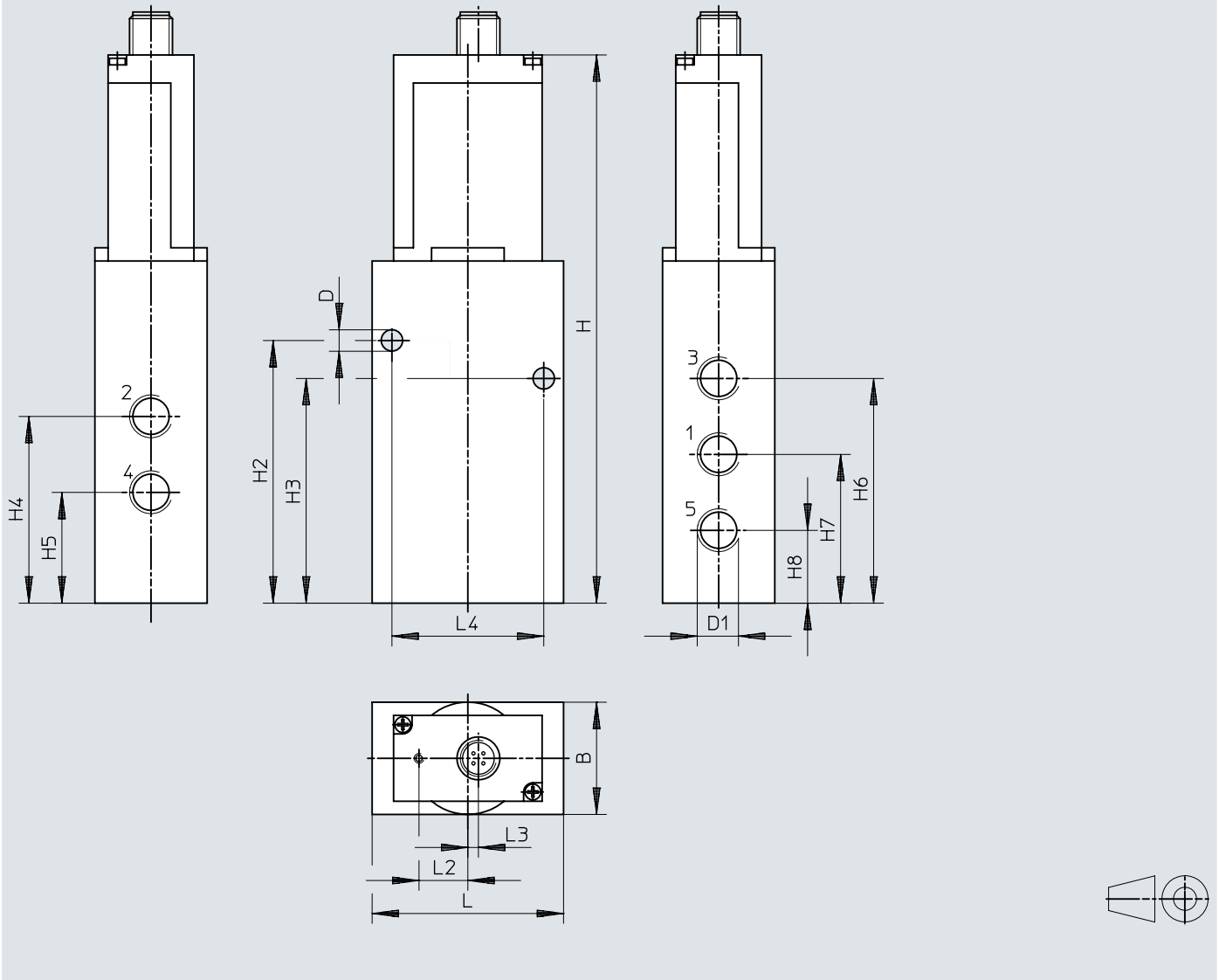
**Materials**

Material housing	Aluminium, Anodised
Material seals	NBR
Material cover	ABS, Coated

## Dimensions


Dimensions – Proportional directional control valve MPYE

Download CAD data [www.festo.com](http://www.festo.com)



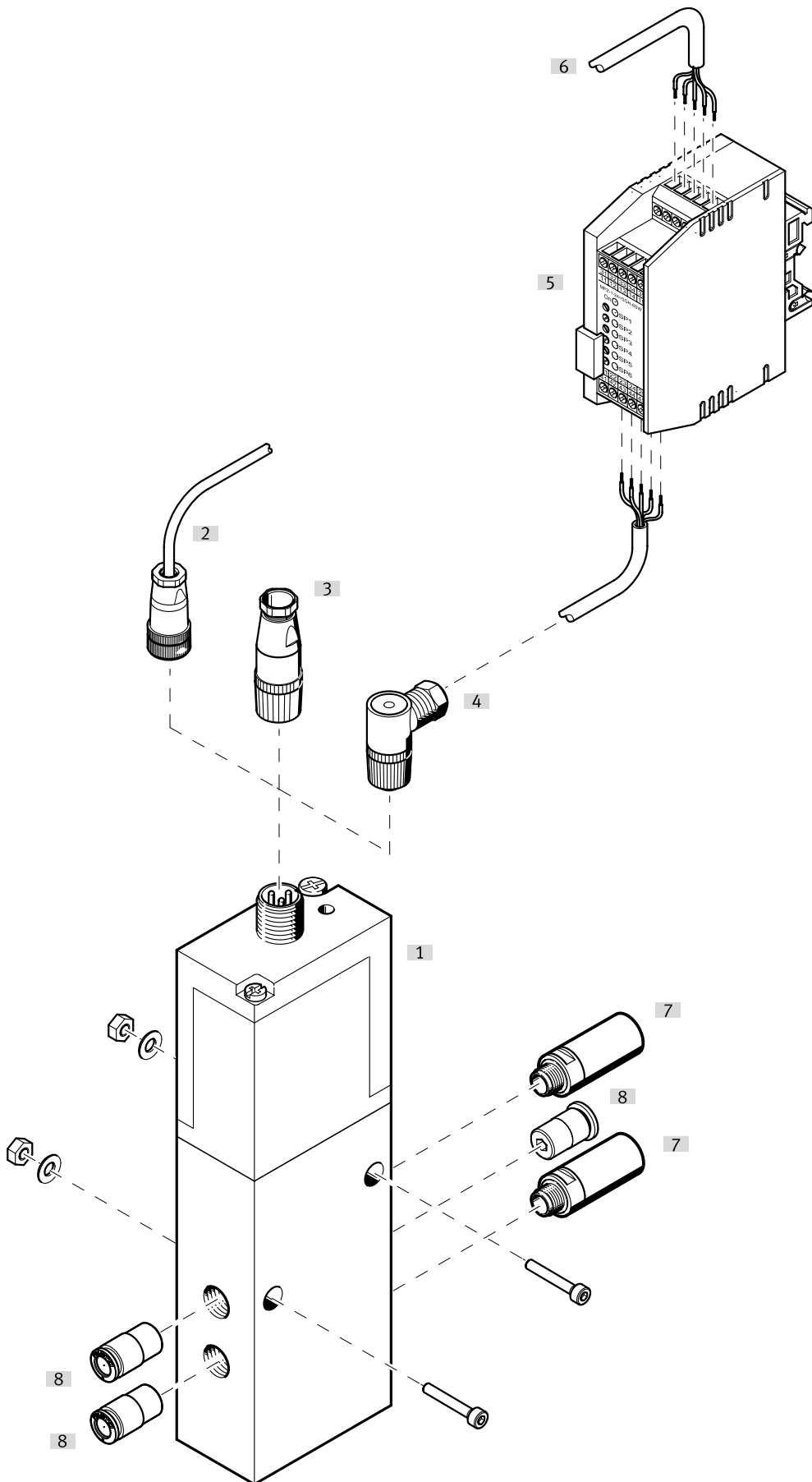
	D1	B	D ∅	H	H2	H3	H4	H5	H6	H7	H8	L	L2	L3	L4
MPYE-5-M5-...-B	M5	26	5,5	130	57	39	32,3	20,3	38,3	26,3	14,3	45	14,8	3,2	32
MPYE-5-1/8-...-B	G1/8	26	5,5	149,3	71,3	55,3	45,8	26,8	55,3	36,3	17,3	45	14,8	3,2	35
MPYE-5-1/4-...-B	G1/4	35	6,5	162,5	77,5	66	54,5	31,5	66	43	20	58	14,8	3,2	46
MPYE-5-3/8-...-B	G3/8	40	6,5	174,5	96,3	77,3	63,3	35,3	80,3	49,3	18,3	67	14,8	3,2	54

## Ordering data

Proportional directional control valves MPYE					
	SETPOINT/ACTUAL values	Pneumatic connection, port 1	Standard nominal flow rate (standardised to DIN 1343)	Part no.	Type
	Voltage type 0 - 10 V	M5	100 l/min	154200	MPYE-5-M5-010-B
		G1/8	350 l/min	151692	MPYE-5-1/8-LF-010-B
			700 l/min	151693	MPYE-5-1/8-HF-010-B
		G1/4	1,400 l/min	151694	MPYE-5-1/4-010-B
	G3/8	2,000 l/min	151695	MPYE-5-3/8-010-B	
	Current type 4-20 mA	M5	100 l/min	162959	MPYE-5-M5-420-B
		G1/8	350 l/min	161978	MPYE-5-1/8-LF-420-B
			700 l/min	161979	MPYE-5-1/8-HF-420-B
		G1/4	1,400 l/min	161980	MPYE-5-1/4-420-B
	G3/8	2,000 l/min	161981	MPYE-5-3/8-420-B	

## Peripherals

### Peripherals overview




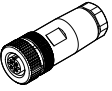


## Peripherals

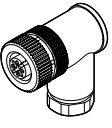
Accessories		→ Link
Type/order code	Description	
[1] Proportional directional control valve MPYE	–	<a href="#">↗ –</a>
[2] Connecting cable	–	<a href="#">10</a>
[3] Sensor socket, straight	Straight, 4-pin, M12x1	<a href="#">10</a>
[4] Sensor socket, angled	Angled, 4-pin, M12x1	<a href="#">10</a>
[5] Setpoint module	For generating 6+1 analogue voltage signals	<a href="#">10</a>
[6] Digital input/output	For actuating the setpoint module	<a href="#">↗ –</a>
[7] Silencer	For mounting in exhaust ports	<a href="#">↗ u</a>
[8] Push-in fitting	For connecting tubing with standard O.D.	<a href="#">↗ npqh</a>

## Accessories

Connecting cable								
	Electrical connection 1, connection type	Electrical connection 1, cable outlet	Electrical connection 1, connector system	Electrical connection 1, number of connections/cores	Electrical connection 2, connector system	Cable length	Part no.	Type
	Socket	Straight	M12x1, A-coded to EN 61076-2-101	4	Open end	5 m	<b>151909</b>	<b>KMPYE-5</b>

Sensor socket, straight			
	Electrical connection 1, connector system	Part no.	Type
	M12x1, A-coded to EN 61076-2-101	<b>8162290</b>	<b>NECB-M12G4-C2</b>

Setpoint module for generating 6 + 1 analogue voltage signals			
	Mounting position	Part no.	Type
	optional	<b>546224</b>	<b>MPZ-1-24DC-SGH-6-SW</b>

Sensor socket, angled			
	Electrical connection 1, connector system	Part no.	Type
	M12x1, A-coded to EN 61076-2-101	<b>8162292</b>	<b>NECB-M12W4-C2</b>