

## Service unit combination with lubricator FRC

**FESTO**



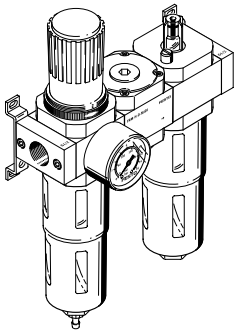
## Characteristics

### At a glance

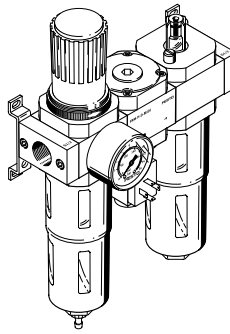
- Combination of filter regulator, branching module, lubricator, on/off valve, soft-start valve, mounting accessories
- Sizes Mini, Midi, Maxi

### Service unit combination

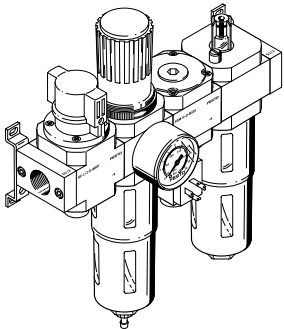
[KA] Filter regulator, branching module and lubricator



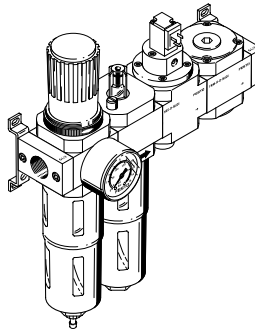
[KB] Filter regulator, branching module with pressure switch and lubricator



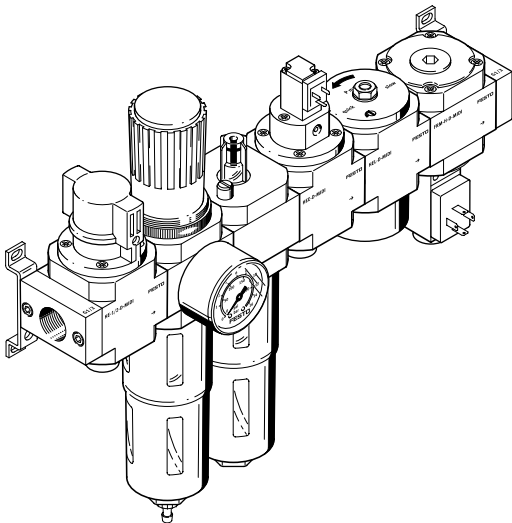
[KC] Manually operated on/off valve, filter regulator, branching module and lubricator



[KE] Filter regulator, lubricator, on/off valve electrically actuated, 24 V DC, soft-start valve pneumatically actuated



[KF] On/off valve manually operated, filter regulator, lubricator, on/off valve electrically actuated, 24 V DC, soft-start valve pneumatically actuated, branching module with pressure switch



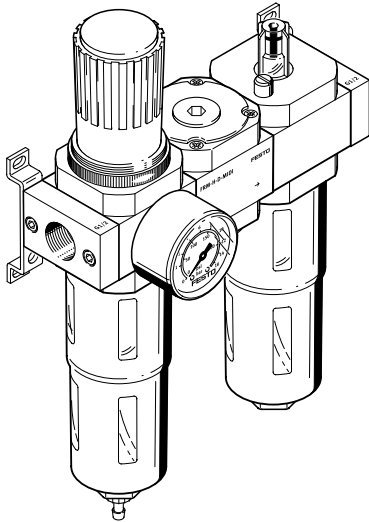
## Characteristics

001		Series
<b>FRC</b>		Service unit
002		Pneumatic connection
<b>1/8</b>		Female thread G1/8
<b>1/4</b>		Female thread G1/4
<b>3/8</b>		Female thread G3/8
<b>1/2</b>		Female thread G1/2
<b>3/4</b>		Female thread G3/4
003		Version
<b>D</b>		D series, metal
004		Size
<b>MINI</b>		Grid dimension 40 mm (without connecting plates)
<b>MIDI</b>		Grid dimension 55 mm (without connecting plates)
<b>MAXI</b>		Grid dimension 66 mm (without connecting plates)

005		Service unit combination
<b>KA</b>		Filter regulator, branching module and lubricator
<b>KC</b>		Manually operated on/off valve, filter regulator, branching module and lubricator
<b>KB</b>		Filter regulator, branching module with pressure switch and lubricator
<b>KE</b>		Filter regulator, lubricator, on/off valve electrically actuated, 24 V DC, soft-start valve pneumatically actuated
<b>KF</b>		On/off valve manually operated, filter regulator, lubricator, on/off valve electrically actuated, 24 V DC, soft-start valve pneumatically actuated, branching module with pressure switch
006		Condensate drain
<b>A</b>		Fully automatic
		Manually rotating

## Datasheet

### Technical data – FRC-KA

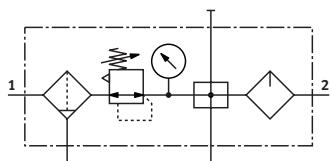


Size	Maxi			Midi			Mini	
Pneumatic connection, port 1	G1/2	G3/4	G1/4	G3/8	G1/2	G1/8	G1/4	
Pneumatic connection, port 2	G1/2	G3/4	G1/4	G3/8	G1/2	G1/8	G1/4	
Type of mounting	In-line installation With accessories Either:							
Mounting position	Vertical +/-5°							
Grade of filtration	40 µm							
Air purity class at output	Compressed air to ISO 8573-1:2010 [7:4:-] Inert gases							
Bowl guard	Metal bowl guard							
Condensate drain	Fully automatic Manually rotating							
Actuator lock	Rotary knob with detent							
Pressure regulation range	0.5 ... 12 bar							
Max. pressure hysteresis	0.1 bar	0.2 bar	0.25 bar	0.2 bar	0.3 bar	0.15 bar	0.2 bar	
Pressure gauge (ANALOG) or Pressure display (DIGITAL)	With pressure gauge							
Max. condensate volume	80 cm <sup>3</sup>			43 cm <sup>3</sup>			22 cm <sup>3</sup>	
Operating pressure <sup>1)</sup>	1 ... 16 bar							
Operating medium	Compressed air to ISO 8573-1:2010 [-:-:-] Inert gases							
Ambient temperature	-10 ... 60°C							
Media temperature	-10 ... 60°C							
Corrosion resistance class CRC <sup>2)</sup>	2 - Moderate corrosion stress							

1) With fully automatic condensate drain: 2 ... 12 bar

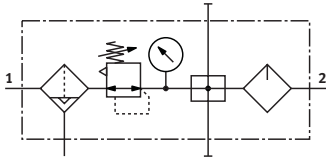
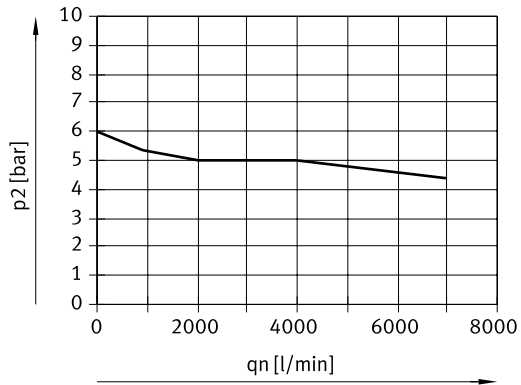
2) More information: [www.festo.com/x/topic/crc](http://www.festo.com/x/topic/crc)

### Function with manual condensate drain – FRC-KA



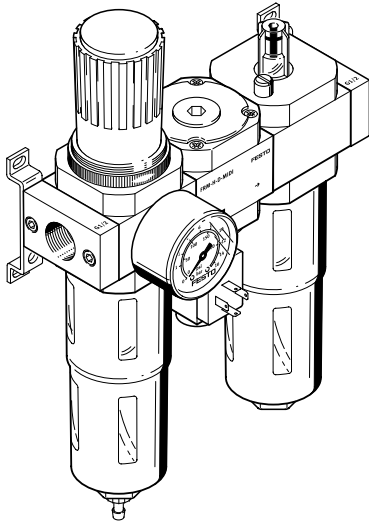
## Datasheet

## Function with fully automatic condensate drain – FRC-KA

Standard flow rate  $q_n$  as a function of output pressure  $p_2$  – FRC-1/2-D-DI-MAXI-KA(-A)

## Datasheet

### Technical data – FRC-KB

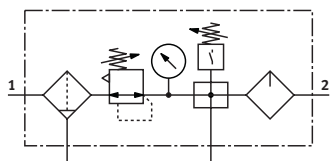


Size	Maxi			Midi			Mini	
Pneumatic connection, port 1	G1/2	G3/4	G1/4	G3/8	G1/2	G1/8	G1/4	
Pneumatic connection, port 2	G1/2	G3/4	G1/4	G3/8	G1/2	G1/8	G1/4	
Type of mounting	In-line installation With accessories Either:							
Mounting position	Vertical +/-5°							
Grade of filtration	40 µm							
Air purity class at output	Compressed air to ISO 8573-1:2010 [7:4:-] Inert gases							
Bowl guard	Metal bowl guard							
Condensate drain	Fully automatic Manually rotating							
Actuator lock	Rotary knob with detent							
Pressure regulation range	0.5 ... 12 bar							
Max. pressure hysteresis	0.1 bar	0.2 bar	0.25 bar	0.35 bar			0.25 bar	0.2 bar
Pressure gauge (ANALOG) or Pressure display (DIGITAL)	With pressure gauge							
Max. condensate volume	80 cm <sup>3</sup>			43 cm <sup>3</sup>			22 cm <sup>3</sup>	
Operating pressure <sup>1)</sup>	1 ... 16 bar							
Operating medium	Compressed air to ISO 8573-1:2010 [:-:-] Inert gases							
Ambient temperature	-10 ... 60°C							
Media temperature	-10 ... 60°C							
Corrosion resistance class CRC <sup>2)</sup>	2 - Moderate corrosion stress							

1) With fully automatic condensate drain: 2 ... 12 bar

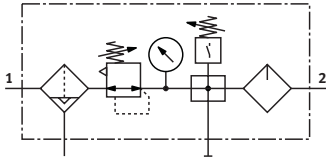
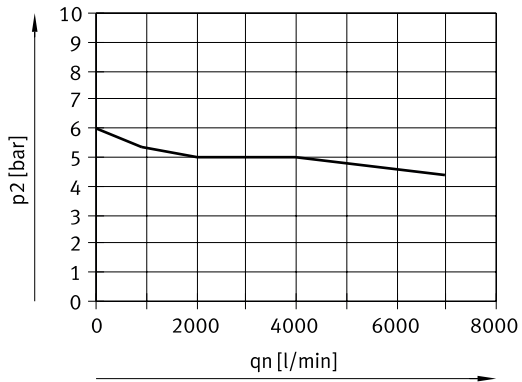
2) More information: [www.festo.com/x/topic/crc](http://www.festo.com/x/topic/crc)

### Function with manual condensate drain – FRC-KB



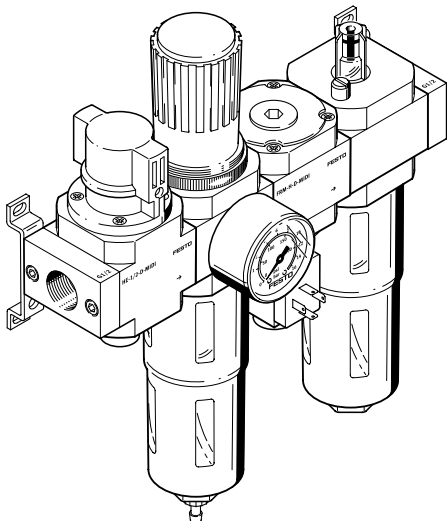
## Datasheet

## Function with fully automatic condensate drain – FRC-KB

Standard flow rate  $q_n$  as a function of output pressure  $p_2$  – FRC-1/2-D-DI-MAXI-KB(-A)

## Datasheet

### Technical data – FRC-KC

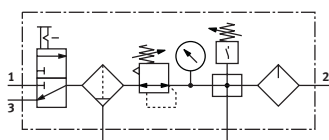


Size	Maxi			Midi			Mini	
Pneumatic connection, port 1	G1/2	G3/4		G1/4	G3/8	G1/2	G1/8	G1/4
Pneumatic connection, port 2	G1/2	G3/4		G1/4	G3/8	G1/2	G1/8	G1/4
Type of mounting	In-line installation With accessories Either:							
Mounting position	Vertical +/-5°							
Grade of filtration	40 µm							
Air purity class at output	Compressed air to ISO 8573-1:2010 [7:4:-] Inert gases							
Bowl guard	Metal bowl guard							
Condensate drain	Fully automatic Manually rotating							
Actuator lock	Rotary knob with detent							
Pressure regulation range	0.5 ... 12 bar							
Max. pressure hysteresis	0.15 bar			0.4 bar		0.3 bar		0.2 bar
Pressure gauge (ANALOG) or Pressure display (DIGITAL)	With pressure gauge							
Max. condensate volume	80 cm <sup>3</sup>			43 cm <sup>3</sup>			22 cm <sup>3</sup>	
Operating pressure <sup>1)</sup>	1 ... 16 bar							
Operating medium	Compressed air to ISO 8573-1:2010 [-:--] Inert gases							
Ambient temperature	-10 ... 60°C							
Media temperature	-10 ... 60°C							
Corrosion resistance class CRC <sup>2)</sup>	2 - Moderate corrosion stress							

1) With fully automatic condensate drain: 2 ... 12 bar

2) More information: [www.festo.com/x/topic/crc](http://www.festo.com/x/topic/crc)

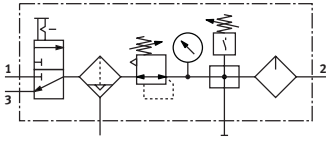
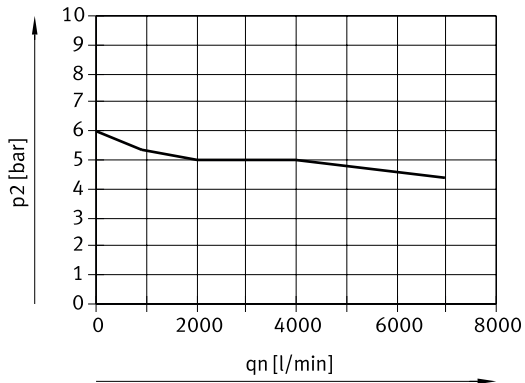
### Function with manual condensate drain – FRC-KC





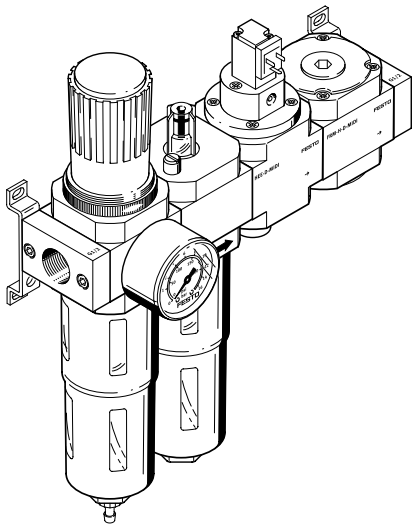
## Datasheet

## Function with fully automatic condensate drain – FRC-KC

Standard flow rate  $q_n$  as a function of output pressure  $p_2$  – FRC-1/2-D-DI-MAXI-KC(-A)

## Datasheet

### Technical data – FRC-KE

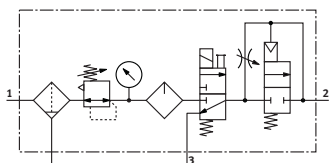


Size	Maxi		Midi			Mini	
Pneumatic connection, port 1	G1/2	G3/4	G1/4	G3/8	G1/2	G1/8	G1/4
Pneumatic connection, port 2	G1/2	G3/4	G1/4	G3/8	G1/2	G1/8	G1/4
Type of mounting	In-line installation With accessories Either:						
Mounting position	Vertical +/-5°						
Grade of filtration	40 µm						
Air purity class at output	Compressed air to ISO 8573-1:2010 [7:4:-] Inert gases						
Bowl guard	Metal bowl guard						
Condensate drain	Fully automatic Manually rotating						
Actuator lock	Rotary knob with detent						
Pressure regulation range	2.5 ... 12 bar						
Max. pressure hysteresis	0.3 bar	0.25 ... 0.3 bar	0.25 bar	0.2 bar	0.4 bar	0.15 bar	
Pressure gauge (ANALOG) or Pressure display (DIGITAL)	With pressure gauge						
Max. condensate volume	80 cm <sup>3</sup>		43 cm <sup>3</sup>			22 cm <sup>3</sup>	
Operating pressure <sup>1)</sup>	3 ... 16 bar						
Operating medium	Compressed air to ISO 8573-1:2010 [:-:-] Inert gases						
Ambient temperature	-10 ... 60°C						
Media temperature	-10 ... 60°C						
Corrosion resistance class CRC <sup>2)</sup>	2 - Moderate corrosion stress						

1) With fully automatic condensate drain: 2 ... 12 bar

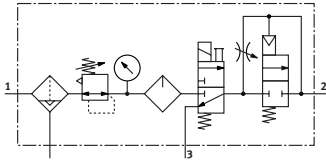
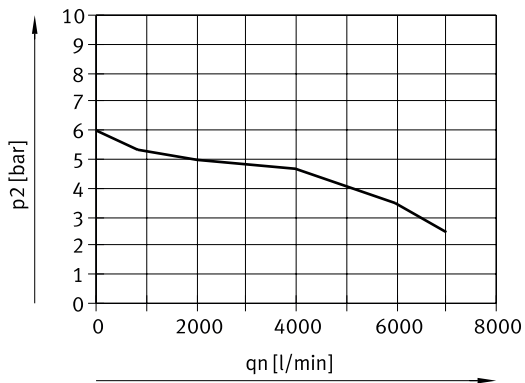
2) More information: [www.festo.com/x/topic/crc](http://www.festo.com/x/topic/crc)

### Function with manual condensate drain – FRC-KE



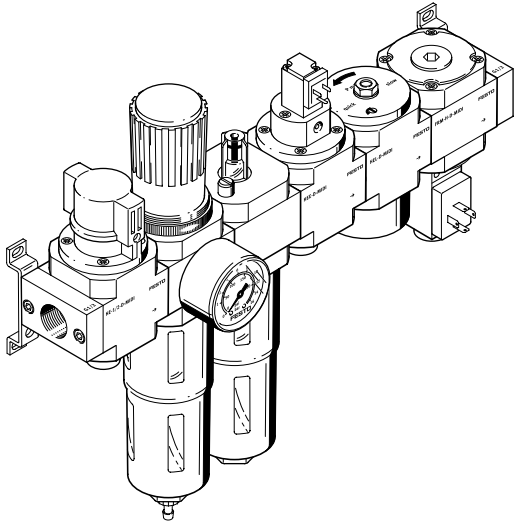
## Datasheet

## Function with fully automatic condensate drain – FRC-KE

Standard flow rate  $q_n$  as a function of output pressure  $p_2$  – FRC-1/2-D-DI-MAXI-KE(-A)

## Datasheet

### Technical data – FRC-KF

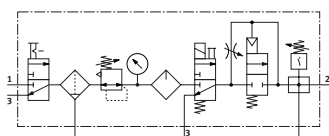


Size	Maxi			Midi			Mini	
Pneumatic connection, port 1	G1/2	G3/4		G1/4	G3/8	G1/2	G1/8	G1/4
Pneumatic connection, port 2	G1/2	G3/4		G1/4	G3/8	G1/2	G1/8	G1/4
Type of mounting	In-line installation With accessories Either:							
Mounting position	Vertical +/-5°							
Grade of filtration	40 µm							
Air purity class at output	Compressed air to ISO 8573-1:2010 [7:4:-] Inert gases							
Bowl guard	Metal bowl guard							
Condensate drain	Fully automatic Manually rotating							
Actuator lock	Rotary knob with detent							
Pressure regulation range	2.5 ... 12 bar							
Max. pressure hysteresis	0.3 bar	0.25 bar		0.3 bar	0.25 bar	0.2 bar	0.3 bar	
Pressure gauge (ANALOG) or Pressure display (DIGITAL)	With pressure gauge							
Max. condensate volume	80 cm <sup>3</sup>			43 cm <sup>3</sup>			22 cm <sup>3</sup>	
Operating pressure <sup>1)</sup>	3 ... 16 bar							
Operating medium	Compressed air to ISO 8573-1:2010 [:-:-] Inert gases							
Ambient temperature	-10 ... 60°C							
Media temperature	-10 ... 60°C							
Corrosion resistance class CRC <sup>2)</sup>	2 - Moderate corrosion stress							

1) With fully automatic condensate drain: 2 ... 12 bar

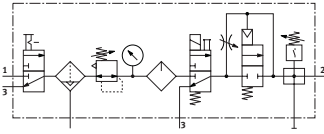
2) More information: [www.festo.com/x/topic/crc](http://www.festo.com/x/topic/crc)

### Function with manual condensate drain – FRC-KF

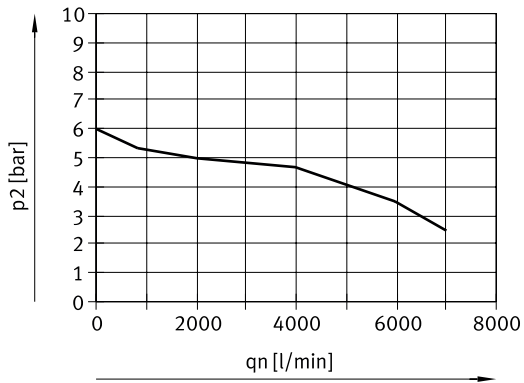


## Datasheet

### Function with fully automatic condensate drain – FRC-KF



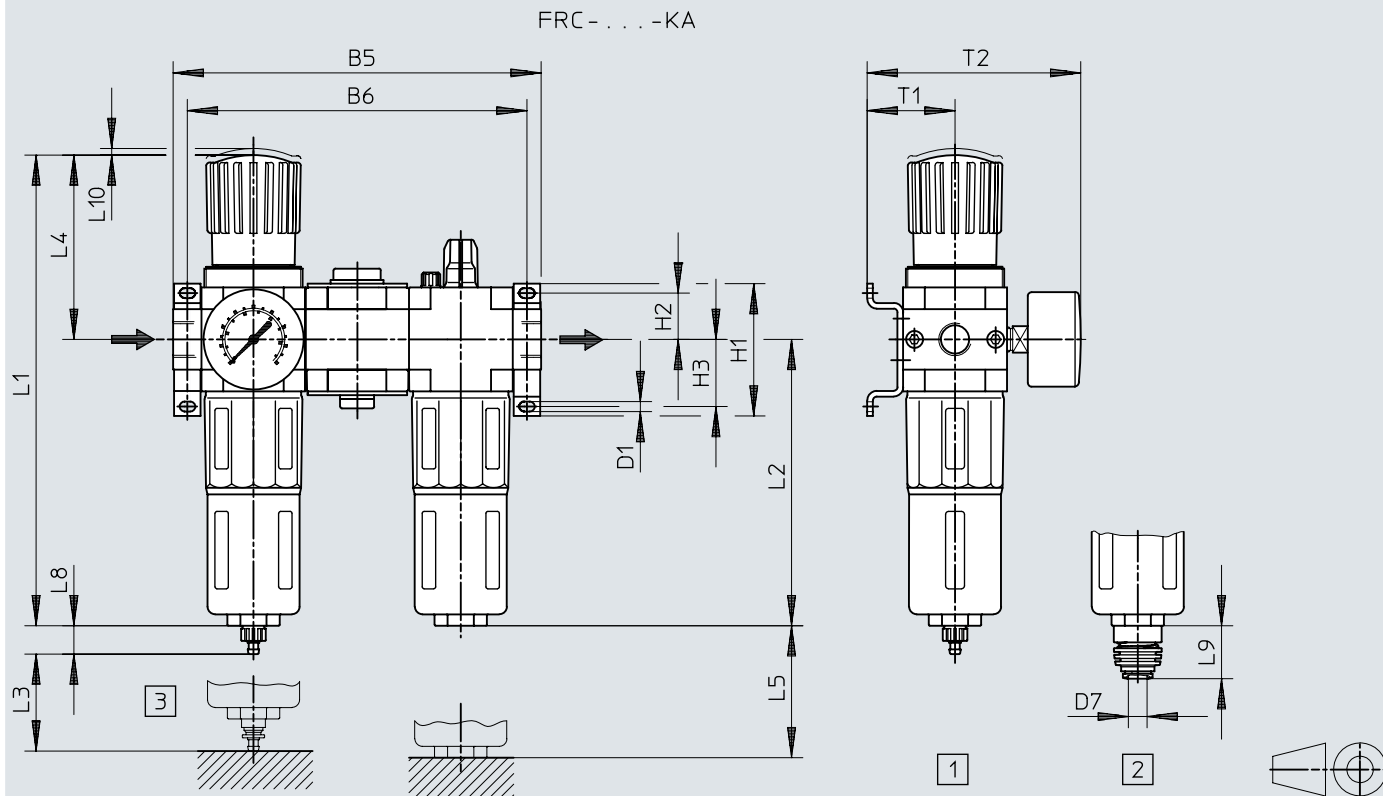
### Standard flow rate $q_n$ as a function of output pressure $p_2$ – FRC-1/2-D-DI-MAXI-KF(-A)



## Dimensions

Dimensions – FRC-...-KA

Download CAD data [www.festo.com](http://www.festo.com)



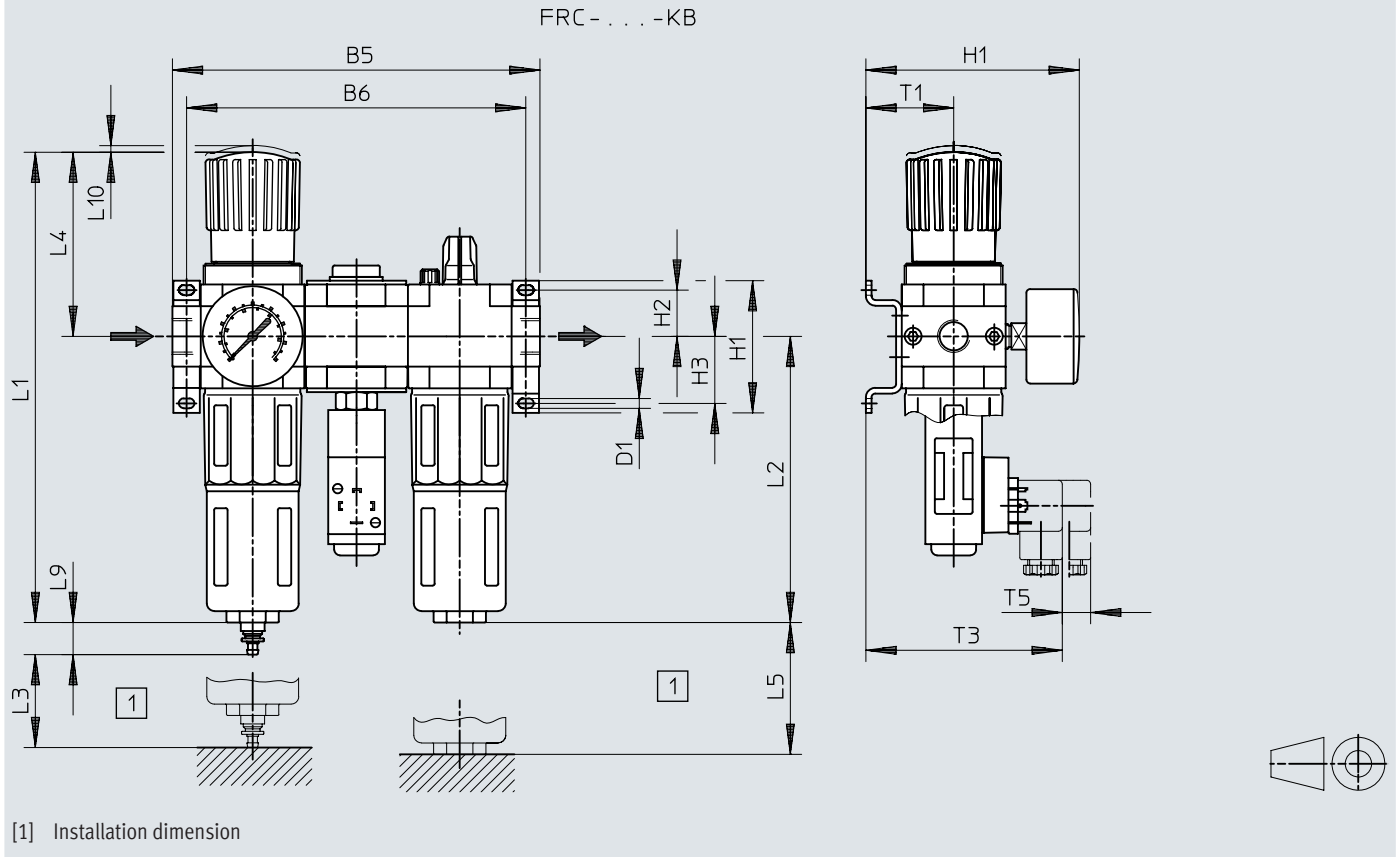
- [1] Manual condensate drain
- [2] Fully automatic condensate drain for plastic tubing PUN-6/PAN-6
- [3] Installation dimension

	B5	B6	D1	H1	H2	H3	L1	L2	L3	L4	L5	L8	L9	L10	T1	T2
FRC-...-D-MINI-KA (-A)	144	132	4,3	43	17,5	17,5	193	124	60	68	100	15	19	3	39	95
FRC-...-D-MIDI-KA (-A)	195	180	5,3	70	24,5	35,5	250	152	80	99	120	15	19	3	47	114
FRC-...-D-MAXI-KA (-A)	228	212	5,3	70	24,5	35,5	252	171	90	82	150	15	19	3	53	126

## Dimensions

Dimensions – FRC...-KB

Download CAD data [www.festo.com](http://www.festo.com)



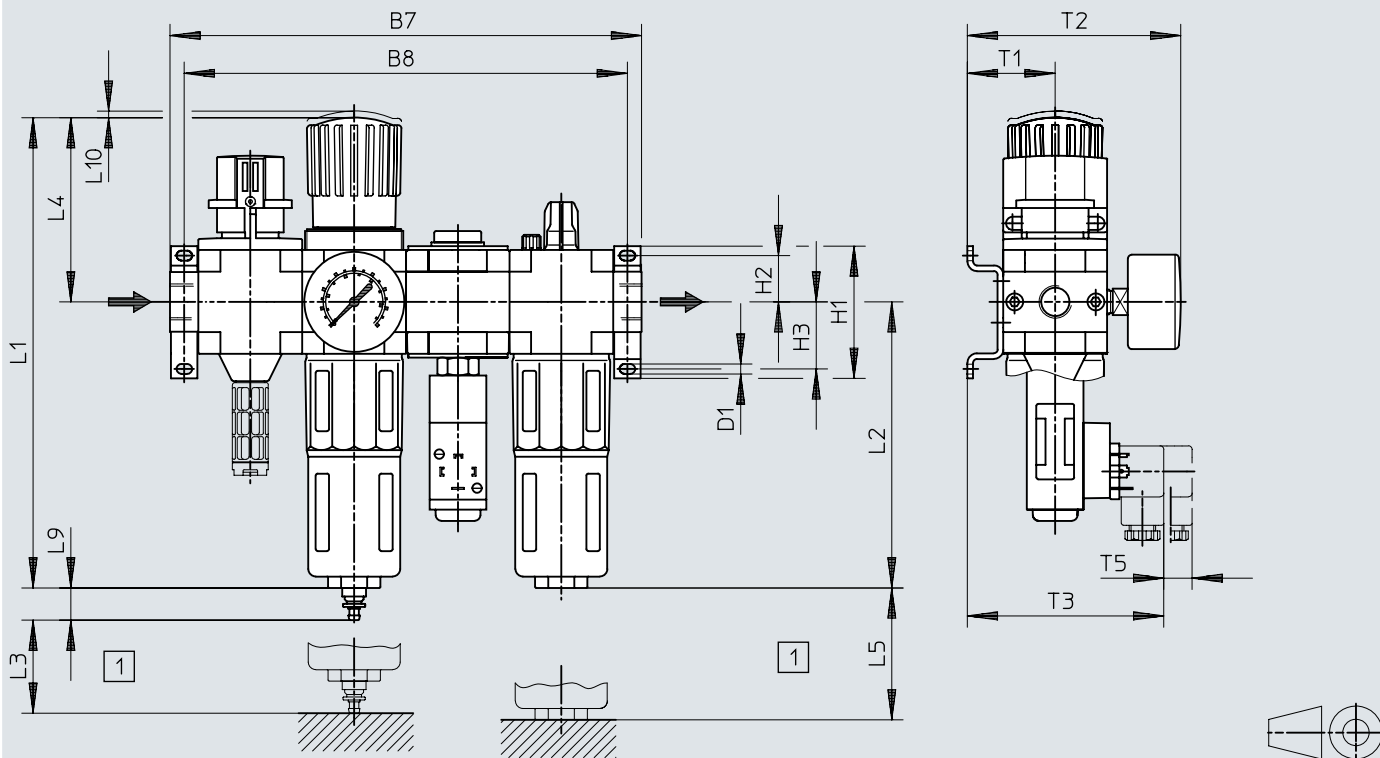
	B5	B6	D1	H1	H2	H3	L1	L2	L3	L4	L5	L9	L10	T1	T2	T3	T5
FRC...-D-MINI-KB (-A)	144	132	4,3	43	17,5	17,5	193	124	60	68	100	19	3	39	95	97	15
FRC...-D-MIDI-KB (-A)	195	180	5,3	70	24,5	35,5	250	152	80	99	120	19	3	47	114	105	15
FRC...-D-MAXI-KB (-A)	228	212	5,3	70	24,5	35,5	252	171	90	82	150	19	3	53	126	111	15

## Dimensions

Dimensions – FRC...-KC

Download CAD data [www.festo.com](http://www.festo.com)

FRC - . . . -KC



[1] Installation dimension

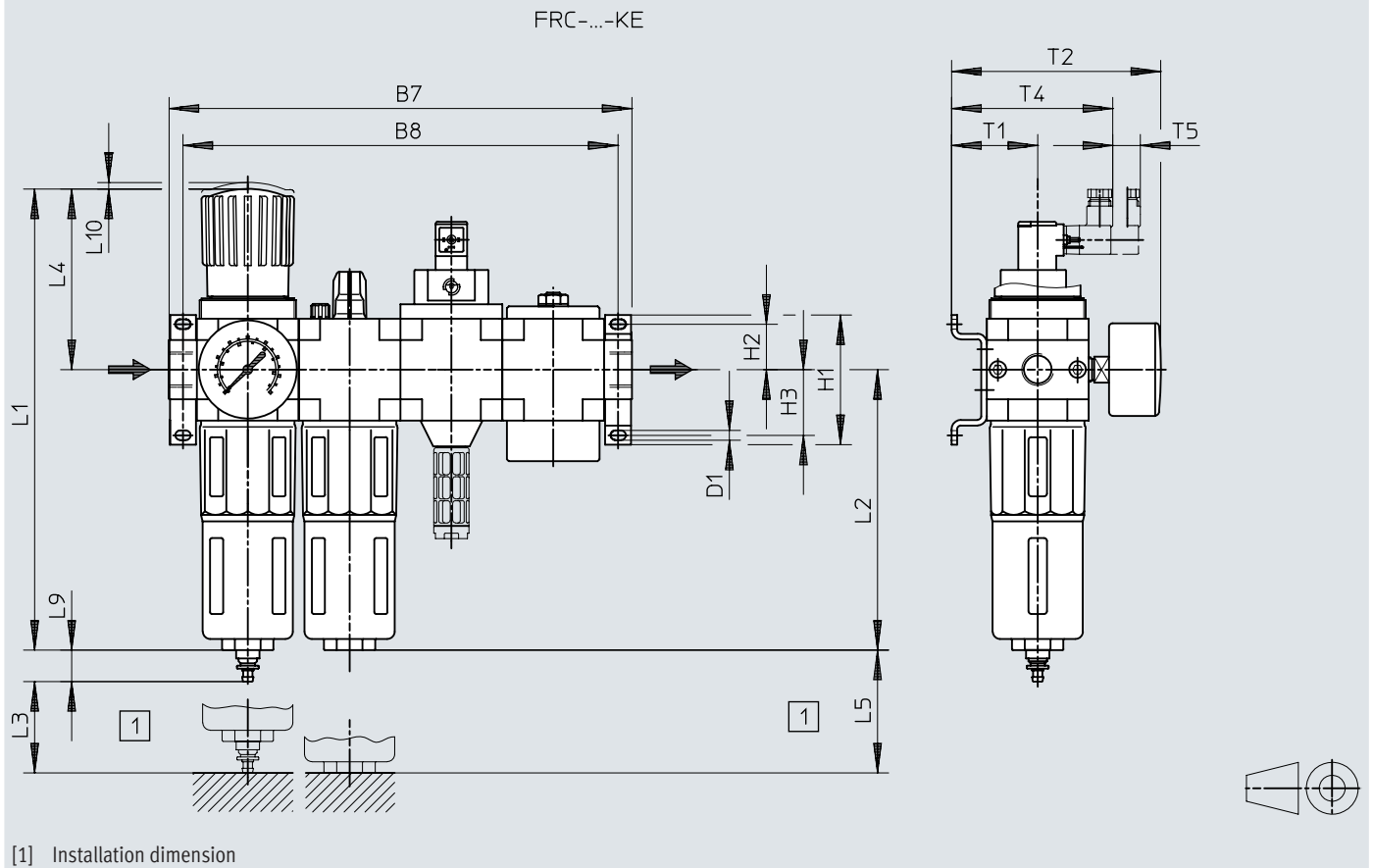
	B7	B8	D1	H1	H2	H3	L1	L2	L3	L4	L5	L9	L10	T1	T2	T3	T5
FRC...-D-MINI-KC (-A)	184	172	4,3	43	17,5	17,5	193	124	60	68	100	19	3	39	95	97	15
FRC...-D-MIDI-KC (-A)	250	235	5,3	70	24,5	35,5	250	152	80	99	120	19	3	47	114	105	15
FRC...-D-MAXI-KC (-A)	294	278	5,3	70	24,5	35,5	252	171	90	82	150	19	3	53	126	111	15



## Dimensions

Dimensions – FRC-...-KE

Download CAD data [www.festo.com](http://www.festo.com)

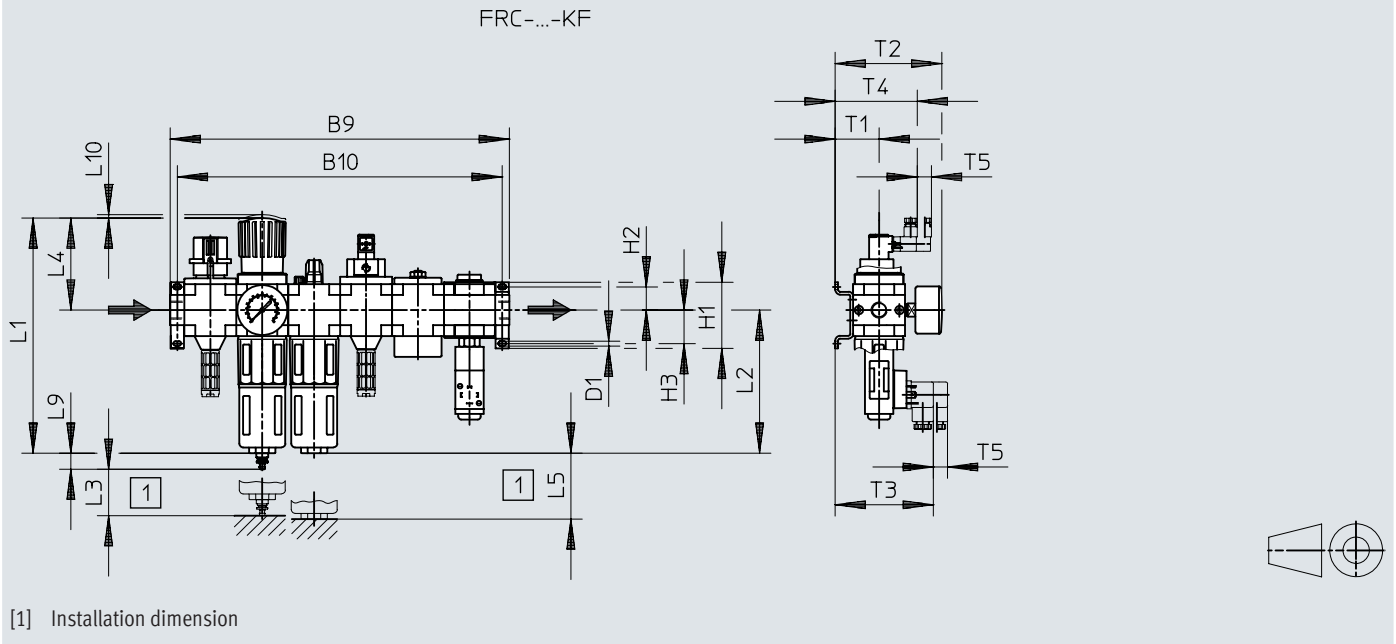


	B7	B8	D1	H1	H2	H3	L1	L2	L3	L4	L5	L9	L10	T1	T2	T4	T5
FRC-...-D-MINI-KE (-A)	184	172	4,3	43	17,5	17,5	193	124	60	68	100	19	3	39	95	78	15
FRC-...-D-MIDI-KE (-A)	250	235	5,3	70	24,5	35,5	250	152	80	99	120	19	3	47	114	86	15
FRC-...-D-MAXI-KE (-A)	294	278	5,3	70	24,5	35,5	252	171	90	82	150	19	3	53	126	92	15

## Dimensions


Dimensions – FRC-...-KF


Download CAD data [www.festo.com](http://www.festo.com)

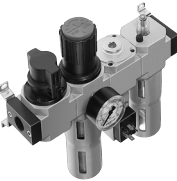


	B9	B10	D1	H1	H2	H3	L1	L2	L3	L4	L5	L9	L10	T1	T2	T3	T4	T5
FRC-...-D-MINI-KF (-A)	264	252	4,3	43	17,5	17,5	193	124	60	68	100	19	3	39	95	97	78	15
FRC-...-D-MIDI-KF (-A)	360	344	5,3	70	24,5	35,5	250	152	80	99	120	19	3	47	114	105	86	15
FRC-...-D-MAXI-KF (-A)	426	410	5,3	70	24,5	35,5	252	171	90	82	150	19	3	53	126	111	92	15

## Ordering data

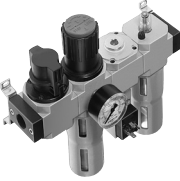
Ordering data – FRC-KA						
	Pneumatic connection, port 1	Standard nominal flow rate (standardised to DIN 1343)	Condensate drain	Product weight	Part no.	Type
	G1/8	650 l/min	Fully automatic	1,000 g	185792	FRC-1/8-D-MINI-KA-A
			Manually rotating		185791	FRC-1/8-D-MINI-KA
	G1/4	980 l/min	Fully automatic	2,400 g	185794	FRC-1/4-D-MINI-KA-A
			Manually rotating		185793	FRC-1/4-D-MINI-KA
		1,400 l/min	Fully automatic		185796	FRC-1/4-D-MIDI-KA-A
			Manually rotating		185795	FRC-1/4-D-MIDI-KA
	G3/8	2,100 l/min	Fully automatic	185798	FRC-3/8-D-MIDI-KA-A	
			Manually rotating	185797	FRC-3/8-D-MIDI-KA	
	G1/2	2,500 l/min	Fully automatic	3,500 g	185800	FRC-1/2-D-MIDI-KA-A
			Manually rotating		185799	FRC-1/2-D-MIDI-KA
		7,500 l/min	Fully automatic		186054	FRC-1/2-D-MAXI-KA-A
			Manually rotating		186053	FRC-1/2-D-MAXI-KA
G3/4	8,200 l/min	Fully automatic	185802	FRC-3/4-D-MAXI-KA-A		
		Manually rotating	185801	FRC-3/4-D-MAXI-KA		

Ordering data – FRC-KB						
	Pneumatic connection, port 1	Standard nominal flow rate (standardised to DIN 1343)	Condensate drain	Product weight	Part no.	Type
	G1/8	650 l/min	Fully automatic	1,200 g	185804	FRC-1/8-D-MINI-KB-A
			Manually rotating		185803	FRC-1/8-D-MINI-KB
	G1/4	980 l/min	Fully automatic	2,600 g	185806	FRC-1/4-D-MINI-KB-A
			Manually rotating		185805	FRC-1/4-D-MINI-KB
		1,400 l/min	Fully automatic		185808	FRC-1/4-D-MIDI-KB-A
			Manually rotating		185807	FRC-1/4-D-MIDI-KB
	G3/8	2,100 l/min	Fully automatic	185810	FRC-3/8-D-MIDI-KB-A	
			Manually rotating	185809	FRC-3/8-D-MIDI-KB	
	G1/2	2,500 l/min	Fully automatic	3,500 g	185812	FRC-1/2-D-MIDI-KB-A
			Manually rotating		185811	FRC-1/2-D-MIDI-KB
		7,500 l/min	Fully automatic		186056	FRC-1/2-D-MAXI-KB-A
			Manually rotating		186055	FRC-1/2-D-MAXI-KB
G3/4	8,200 l/min	Fully automatic	185814	FRC-3/4-D-MAXI-KB-A		
		Manually rotating	185813	FRC-3/4-D-MAXI-KB		


Ordering data – FRC-KC						
	Pneumatic connection, port 1	Standard nominal flow rate (standardised to DIN 1343)	Condensate drain	Product weight	Part no.	Type
	G1/8	640 l/min	Fully automatic	1,400 g	185816	FRC-1/8-D-MINI-KC-A
			Manually rotating		185815	FRC-1/8-D-MINI-KC
	G1/4	870 l/min	Fully automatic	3,000 g	185818	FRC-1/4-D-MINI-KC-A
			Manually rotating		185817	FRC-1/4-D-MINI-KC
		1,320 l/min	Fully automatic		185820	FRC-1/4-D-MIDI-KC-A
			Manually rotating		185819	FRC-1/4-D-MIDI-KC
	G3/8	1,870 l/min	Fully automatic	185822	FRC-3/8-D-MIDI-KC-A	
			Manually rotating	185821	FRC-3/8-D-MIDI-KC	
	G1/2	2,400 l/min	Fully automatic	4,600 g	185824	FRC-1/2-D-MIDI-KC-A
			Manually rotating		185823	FRC-1/2-D-MIDI-KC
6,600 l/min		Fully automatic	186058		FRC-1/2-D-MAXI-KC-A	
		Manually rotating				

## Ordering data


### Ordering data – FRC-KC

	Pneumatic connection, port 1	Standard nominal flow rate (standardised to DIN 1343)	Condensate drain	Product weight	Part no.	Type
	G1/2	6,600 l/min	Manually rotating	4,600 g	186057	FRC-1/2-D-MAXI-KC
	G3/4	7,800 l/min	Fully automatic		185826	FRC-3/4-D-MAXI-KC-A
			Manually rotating		185825	FRC-3/4-D-MAXI-KC

### Ordering data – FRC-KE

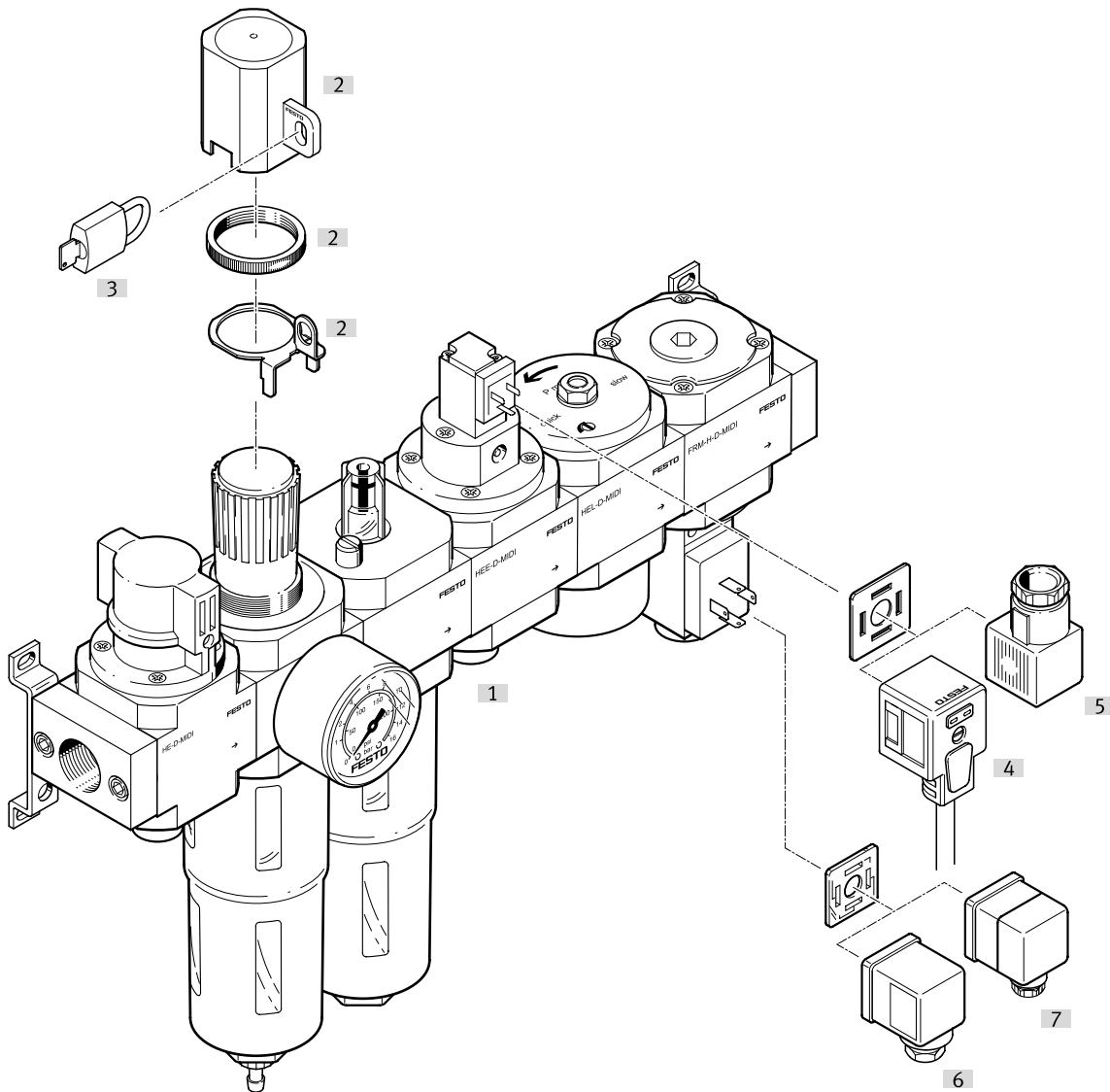
	Pneumatic connection, port 1	Standard nominal flow rate (standardised to DIN 1343)	Condensate drain	Product weight	Part no.	Type
	G1/8	550 l/min	Fully automatic	1,200 g	185828	FRC-1/8-D-MINI-KE-A
			Manually rotating		185827	FRC-1/8-D-MINI-KE
	G1/4	650 l/min	Fully automatic	2,800 g	185830	FRC-1/4-D-MINI-KE-A
			Manually rotating		185829	FRC-1/4-D-MINI-KE
		1,100 l/min	Fully automatic	2,800 g	185832	FRC-1/4-D-MIDI-KE-A
			Manually rotating		185831	FRC-1/4-D-MIDI-KE
	G3/8	1,420 l/min	Fully automatic	2,800 g	185834	FRC-3/8-D-MIDI-KE-A
			Manually rotating		185833	FRC-3/8-D-MIDI-KE
	G1/2	1,590 l/min	Fully automatic	2,800 g	185836	FRC-1/2-D-MIDI-KE-A
			Manually rotating		185835	FRC-1/2-D-MIDI-KE
		3,500 l/min	Fully automatic	4,200 g	186060	FRC-1/2-D-MAXI-KE-A
			Manually rotating		186059	FRC-1/2-D-MAXI-KE
G3/4	3,700 l/min	Fully automatic	6,300 g	185849	FRC-3/4-D-MAXI-KF	
		Manually rotating	4,200 g	185838	FRC-3/4-D-MAXI-KE-A	

### Ordering data – FRC-KF

	Pneumatic connection, port 1	Standard nominal flow rate (standardised to DIN 1343)	Condensate drain	Product weight	Part no.	Type
	G1/8	530 l/min	Fully automatic	1,800 g	185840	FRC-1/8-D-MINI-KF-A
			Manually rotating		185839	FRC-1/8-D-MINI-KF
	G1/4	620 l/min	Fully automatic	4,000 g	185842	FRC-1/4-D-MINI-KF-A
			Manually rotating		185841	FRC-1/4-D-MINI-KF
		1,060 l/min	Fully automatic	4,000 g	185844	FRC-1/4-D-MIDI-KF-A
			Manually rotating		185843	FRC-1/4-D-MIDI-KF
	G3/8	1,150 l/min	Fully automatic	4,000 g	185846	FRC-3/8-D-MIDI-KF-A
			Manually rotating		185845	FRC-3/8-D-MIDI-KF
	G1/2	1,220 l/min	Fully automatic	4,000 g	185848	FRC-1/2-D-MIDI-KF-A
			Manually rotating		185847	FRC-1/2-D-MIDI-KF
		3,400 l/min	Fully automatic	6,300 g	186062	FRC-1/2-D-MAXI-KF-A
			Manually rotating		186061	FRC-1/2-D-MAXI-KF
G3/4	3,700 l/min	Fully automatic	6,300 g	185850	FRC-3/4-D-MAXI-KF-A	
		Manually rotating		185849	FRC-3/4-D-MAXI-KF	

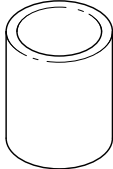
## Peripherals

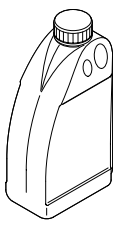
## Peripherals

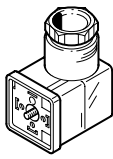


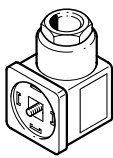
Accessories		→ Link
Type/order code	Description	
[1]	Service units FRC-D-K	<a href="#">frc-d-k</a>
[2]	Regulator lock LRVS	<a href="#">23</a>
[3]	Padlock LRVS-D	<a href="#">23</a>
[4]	Plug socket MSSD-C	<a href="#">22</a>
[5]	Angled plug socket PEV-...-WD-LED	<a href="#">22</a>
[6]	Plug socket with cable KMEB-1	<a href="#">23</a>
[7]	Plug socket MSSD-EB	<a href="#">22</a>
[8]	Filter cartridge LFP	Without illustration <a href="#">22</a>
	Special oil OPSW-32	Without illustration <a href="#">22</a>

## Accessories

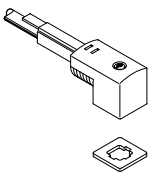
Filter cartridges LFP-D					
	Size	Grade of filtration	Part no.	Type	
	Maxi	40 µm	363664	LFP-D-MAXI-40M	
	Midi		363667	LFP-D-MIDI-40M	
	Mini		363665	LFP-D-MINI-40M	


Special oil OPSW-32			
	Short type code	Part no.	Type
	OFSW	152811	OFSW-32

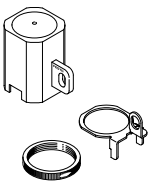
Angled plug socket PEV						
	Operational voltage range AC	Operational voltage range DC	Electrical connection	Switching status indication	Part no.	Type
	150 ... 230 V	15 ... 30 V		Yellow LED, Green LED	164274	PEV-1/4-WD-LED-24
		140 ... 180 V			164275	PEV-1/4-WD-LED-230

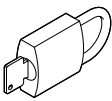
Plug socket MSSD						
	Operational voltage range AC	Operational voltage range DC	Electrical connection	Type of mounting	Part no.	Type
	0 ... 250 V	0 ... 300 V	3-pin, Angled socket, Type A, To DIN EN 175301-803, Square design MSC, Square design MSN1	On solenoid valve via M3 central screw	171157	MSSD-C-4P
			4-pin, Socket, Type C	On solenoid valve via M2.5 central screw	192745	MSSD-EB-S-M14
			3-pin, Socket, Angled socket, Type C, To DIN EN 175301-803, To DIN EN 61984, Square design MSEB, Square design MSN2		★ 151687	MSSD-EB

## Accessories

Plug socket with cable KMEB (for on/off valve HEE)							
	Nominal operating voltage AC	Nominal operating voltage DC	Electrical connection	Switching status indication	Cable length	Part no.	Type
	230 V	24 V			2.5 m	★ 151688	KMEB-1-24-2.5-LED
					5 m	151689	KMEB-1-24-5-LED
					10 m	193457	KMEB-1-24-10-LED
	230 V				2.5 m	151690	KMEB-1-230AC-2.5
					5 m	151691	KMEB-1-230AC-5

Illuminating seal MEB-LD					
	Operational voltage range AC	Operational voltage range DC	Product weight	Part no.	Type
			0.6 g	151718	MEB-LD-230AC
		12 ... 24 V		151717	MEB-LD-12-24DC

Regulator lock LRVS				
	Short type code	Product weight	Part no.	Type
	LRVS	36 g	193784	LRVS-D-DI-MAXI
		40 g	193781	LRVS-D-MINI
		56 g	193783	LRVS-D-MAXI
		60 g	193782	LRVS-D-MIDI

Padlock LRVS-D				
	Short type code	Product weight	Part no.	Type
	LRVS-D	120 g	193786	LRVS-D