



With the Festo Design Tool 3D, you can quickly, automatically and accurately generate and order product modules in your CAD format.

Benefits for design, purchasing and commissioning:

- Quick, easy and automatic generation of product combinations
- Shorter bills of materials, fewer sources of error and optimised ordering processes thanks to a single order code for the entire module
- Native CAD models for retaining CAD/component links (CAD Constraints, CAD Mates)
- Reduced documentation effort and simple traceability: generate PDF module drawings and bills of materials within FDT 3D and call up the traceable order code in the Support Portal
- Simplified, accelerated warehousing and assembly processes
- Product portfolio for readily available standard components such as cylinders from the DSBC, DSNU and DFM series

Access the Festo Design Tool 3D directly → [Online](#)

### Product configuration

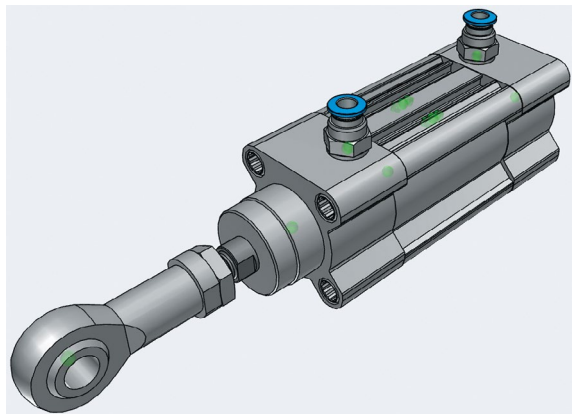
Select the product and configure it

The screenshot shows the Festo Design Tool 3D web interface. The main product is an ISO cylinder (KDSB-DSBC, 293683). A 'Values selection' dialog box is open, showing the following configuration options:

Main variables	
Part number	2123085
Type	DSBC
Piston diameter (mm)	32
Stroke (mm)	20
Cushioning	PPS
Position detection	A
Extended position (mm)	0
Secondary variables	
Standard	N3
Weight (kg)	0.519

The 'Configure product' button is visible at the bottom right of the dialog.

Add accessories



Sample configuration:

- With push-in fittings QS
- With rod eye SGS

### Order options

Pre-assembled



Packaged together



The Festo Design Tool 3D is a 3D module configurator for generating Festo-specific CAD product combinations. Searching for matching accessories, e.g. for pneumatic cylinder series DSBC, DSNU and DFM, will be faster, more reliable and easier in the future.

Create graphic models of your cylinder module, including Festo accessories, in your preferred CAD format. The Festo Design Tool 3D then generates an order code with which you can order the module straight away, either fully pre-assembled or as individual components – always shipped in a single box.