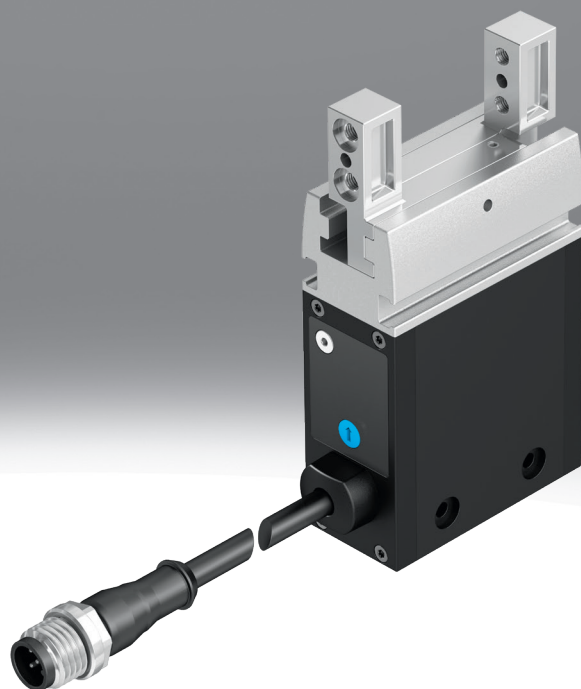


## Parallel gripper EHPS

**FESTO**



## Characteristics

### At a glance

- Minimal installation effort – no valves, tubing or air preparation required
- Low noise pollution
- No external controller required
- Adaptation of the gripping force to sensitive workpieces
- Easy to adjust
- Electrical safety according to DIN EN 61010-1:2010
- Suitable for the production of Li-ion batteries

These grippers are not designed for the following or similar application examples:

- Welding spatter
- Machining
- Aggressive media
- Grinding dust

Note:

- Specially developed gripper jaws enable microwell plates to be picked or transported (for SBS/ANSI formats).
- (See accessories)

### Diagrams

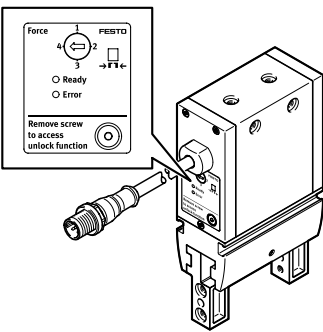
[Link](#)  [ehps](#)



The diagrams shown in this document are also available online. These can be used to display precise values.

### Bus protocol/activation

[ ] None

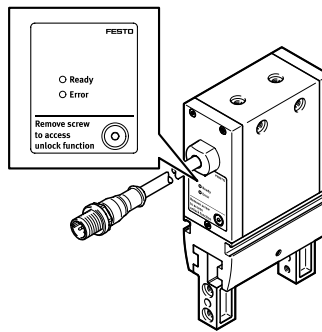


Gripping force adjustment for grippers with digital I/O

The rotary switch can be used to set the speed for the gripping force of the gripper. The switch has four positions and therefore four force levels, with no intermediate levels. The speed affects the gripping force and cannot be adjusted linearly.

- Setting 1: approx. 50% of the max. force
- Setting 2: approx. 70% of the max. force
- Setting 3: approx. 85% of the max. force
- Setting 4: max. force

[LK] IO-Link®



Gripping force adjustment for grippers with IO-Link®

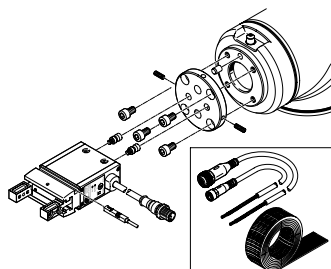
The gripping force is set via an IO-Link master. There are four positions for the settings and therefore four force levels. No intermediate stages are possible. (Values of position 1 to 4 identical with I/O version). There are also three gripping modes that can be selected. This enables a shorter gripping time in the application.

- External gripping: the object is gripped from the outside. The gripper jaws move at the specified gripping force/speed during the gripping process. On releasing, the gripper jaws move at the maximum speed
- Internal gripping: the object is gripped on the inside. The gripper jaws move at the specified gripping force/speed during the gripping process. On releasing, the gripper jaws move at the maximum speed
- Universal gripping: The specified gripping force is used in both directions of movement during the gripping process

## Characteristics

### Robot connection

[RA50] Flange ISO 9409-1-50-4-M6



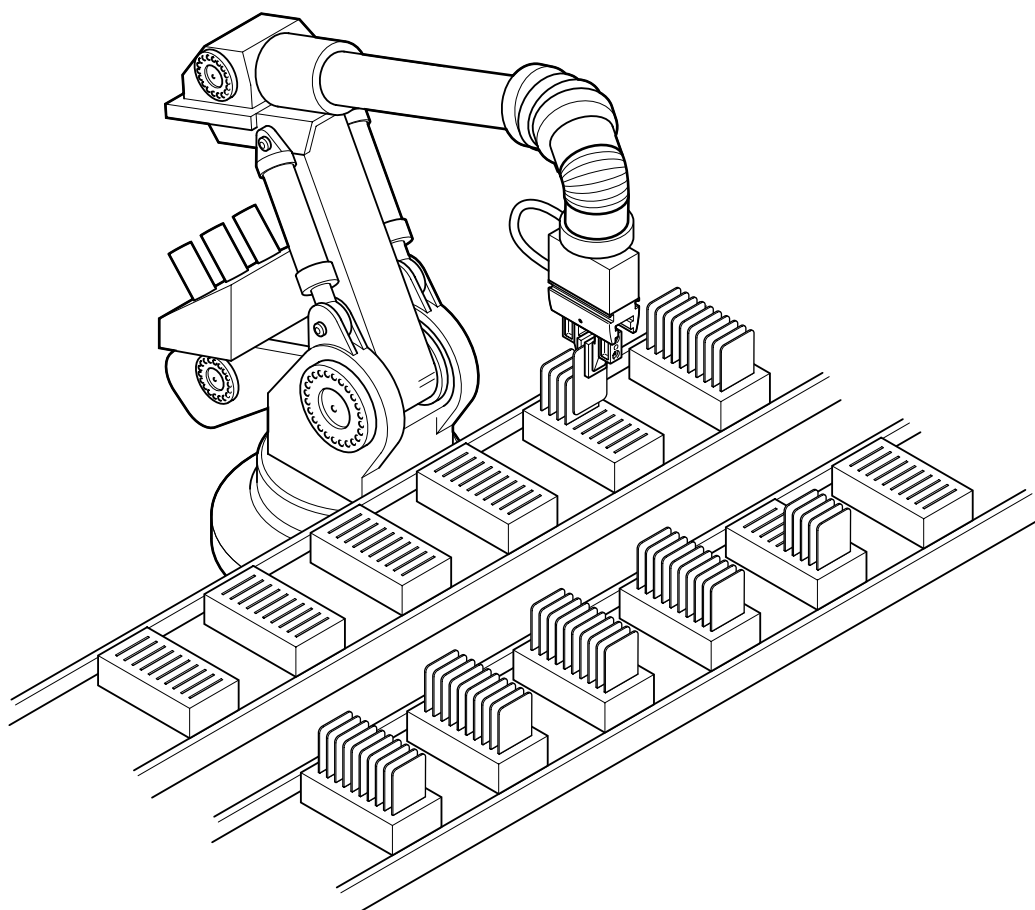
Fast and intuitive integration on a robot arm

- The gripper with robot connection EHPS-...-RA1 can be quickly integrated on a lightweight robot.
- In order to mount the gripper on the robot arm, an adapter plate and the necessary mounting accessories are included in the kit, in addition to the gripper itself. The necessary proximity switches and a software plug-in (on a USB memory stick) are also included.

If the feature EHPS-...-RA1 is used, the delivery includes all the connection components in addition to the gripper:

- Proximity switch
- Connecting cable for connecting the gripper and proximity switches
- Velcro strip for fixing the connecting cables in place
- Adapter kit for mounting on the robot arm

### Application example



Card handling

Type code

001	Series
<b>EHPS</b>	Electric parallel gripper

002	Size [mm]
<b>16</b>	16
<b>20</b>	20
<b>25</b>	25

003	Position sensing
<b>A</b>	For proximity sensor

004	Bus protocol/activation
	None
<b>LK</b>	IO-Link®

005	Robot connection
	None
<b>RA50</b>	Flange ISO 9409-1-50-4-M6

## Datasheet

General technical data			
Size	16	20	25
Robot connection	None		
Design	Worm gear unit T-shape Rack and pinion Electric gripper		
Guide	Plain-bearing guide		
Operator controls	Latched switch		
Ready status indication	LED		
Gripper function	Parallel		
Number of gripper jaws	2		
Stroke per gripper jaws <sup>1)</sup>	10 mm	13 mm	16 mm
Total gripping force	154 N	218 N	312 N
Max. mass per external gripper finger	100 g	150 g	230 g
Max. cycle frequency <sup>2)</sup>	1.1 Hz	0.7 Hz	0.8 Hz
Repetition accuracy, gripper	≤0.03 mm		≤0.01 mm
Max. replacement accuracy	≤0.2 mm		
Rotationally symmetrical	≤0.2 mm		
Max. gripper jaw backlash Sz	0.05 mm		0.04 mm
Max. angular gripper jaw backlash ax, ay	0.4 deg	0.3 deg	
Position detection	Via proximity switch With Hall sensor With integrated displacement encoder Via IO-Link interface		
Type of mounting	Either: Via female thread and centring sleeve Via through-hole and centring sleeve		
Electrical connection	5-pin Cable with plug M12x1		
Mounting position	optional		
Product weight	296 g	532 g	904 g

1) The maximum gripping force is only achieved if the gripper jaws are moved by the minimum travel distance without a load.

2) At the maximum switching frequency, the gripper heats up over 60 °C.

Electrical data			
Size	16	20	25
Type of motor	DC servo motor		
Nominal operating voltage DC	24 V		
Permissible voltage fluctuations	+/- 10%		
Max. current consumption <sup>1)</sup>	1 A	2 A	

1) During travel.

## Datasheet

## Operating and environmental conditions

Ambient temperature	5 ... 60°C
Degree of protection	IP40
Sound pressure level	≤70 dB(A)
Corrosion resistance class CRC <sup>1)</sup>	1 - Low corrosion stress
CE mark (see declaration of conformity) <sup>2)</sup>	To EU EMC Directive In accordance with EU RoHS Directive
CE marking (see declaration of conformity)	To UK instructions for EMC To UK RoHS instructions
KC mark	KC-EMV
Approval	RCM trademark
Lubrication interval for guide components	2

1) Corrosion resistance class CRC 1 to Festo standard FN 940070

Low corrosion stress. Dry indoor use or transport and storage protection. Also applies to parts behind covers, in the non-visible interior area, or parts that are covered in the application (e.g. drive trunnions).

2) More information [www.festo.com/sp/d/certificates](http://www.festo.com/sp/d/certificates).

## Technical data IO-Link®

IO-Link, SIO-Mode support	No
IO-Link, communication mode	COM3 (230.4 kBaud)
IO-Link, Port class	Device B
IO-Link, Number of ports	Device 1
IO-Link, Process data length OUT	8 bytes
IO-Link, Process data content OUT	16 bit (ControlWord) 16 bit (GrippingPosition) 8-bit (GrippingForce) 8 bit (GrippingMode) 8 bit (GrippingTolerance) 8 bit (WorkpieceNo)
IO-Link, Process data length IN	6 bytes
IO-Link, Process data content IN	16-bit (ActualPosition) 16 bit (ErrorNumber) 16 bit (StatusWord)
IO-Link, Min. cycle time	5 ms
Protocol	IO-Link®
IO-Link, Protocol version	Device V 1.1

## Materials

Material housing	Anodised wrought aluminium alloy, Anodised aluminium
Material gripper jaws	High-alloy stainless steel
LABS (PWIS) conformity	VDMA24364-B2-L
Note on materials	RoHS-compliant
Suitability for the production of Li-ion batteries	Metals with more than 5% by mass of copper are excluded from use. Exceptions are printed circuit boards, cables, electrical plug connectors and coils

## Opening and closing times as a function of setting 1 ... 4

The indicated opening and closing times were measured with the gripper installed vertically, gripper jaws pointing upwards and without gripper fingers.

EHPS: 16 / 20 / 25

Position 1: 337 ms / 470 ms / 580 ms

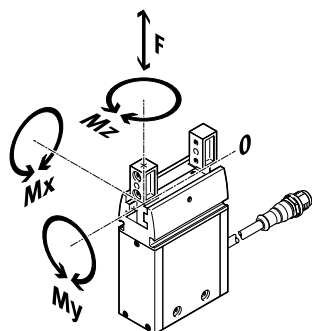
Position 2: 291 ms / 408 ms / 507 ms

Position 3: 271 ms / 362 ms / 449 ms

Position 4: 245 ms / 295 ms / 404 ms

## Datasheet

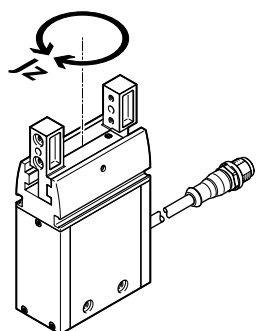
### Static characteristic load values at the gripper jaws



The indicated permissible forces and torques apply to a single gripper jaw. They include the lever arm, additional applied loads created by the workpiece or external gripper fingers and acceleration forces occurring during movement. The zero coordinate line (gripper jaw guide) must be taken into account when calculating torques.

Size	16	20	25
Max. force on gripper jaw $F_z$ static	200 N	325 N	450 N
Max. torque at gripper $M_x$ static	7 Nm	13 Nm	28 Nm
Max. torque at gripper $M_y$ static	4.4 Nm	8 Nm	16 Nm
Max. torque at gripper $M_z$ static	7 Nm	13 Nm	28 Nm

### Mass moment of inertia

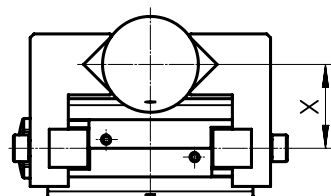


Under the following conditions:

- The reference point is the central axis
- Without external gripper fingers
- In the unloaded state

Size	16	20	25
Robot connection	None		
Mass moment of inertia	0.78 kgcm <sup>2</sup>	2.02 kgcm <sup>2</sup>	5.24 kgcm <sup>2</sup>

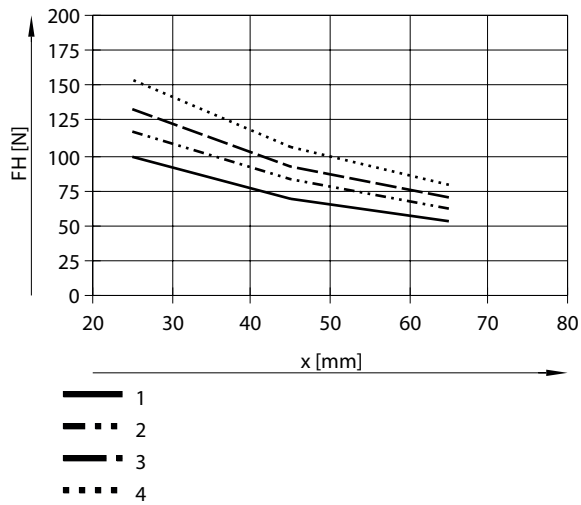
### Total gripping force $F$ as a function of lever arm $x$ , horizontal mounting position, external/internal gripper and position 1 ... 4



The max. achievable forces apply exclusively to centric gripping of non-elastic components. The gripping position and gripping force are not readjusted. The design of the gripper jaws has a major influence on the forces that can be achieved. For special gripping situations, it may be necessary to transmit an additional gripping signal (max. 3x in one direction).

Datasheet

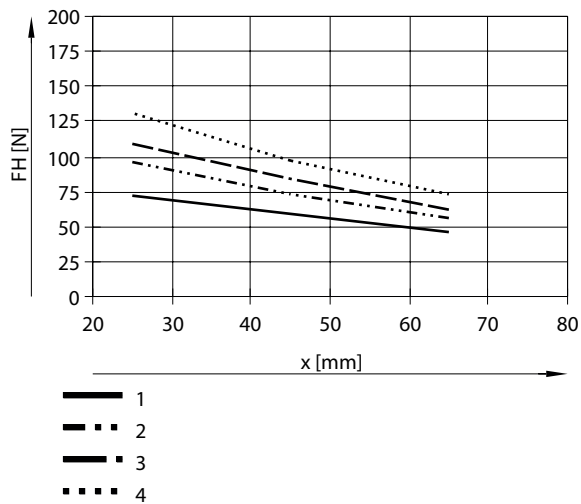
**EHPS-16: external gripper, horizontal**



- 1 = position 1
- 2 = position 2
- 3 = position 3
- 4 = position 4

Lever arm = 25 mm / 45 mm / 65 mm  
 Gripping force at:  
 Position 1: 98 mm / 68 mm / 54 mm  
 Position 2: 116 mm / 84 mm / 62 mm  
 Position 3: 132 mm / 92 mm / 70 mm  
 Position 4: 154 mm / 106 mm / 78 mm

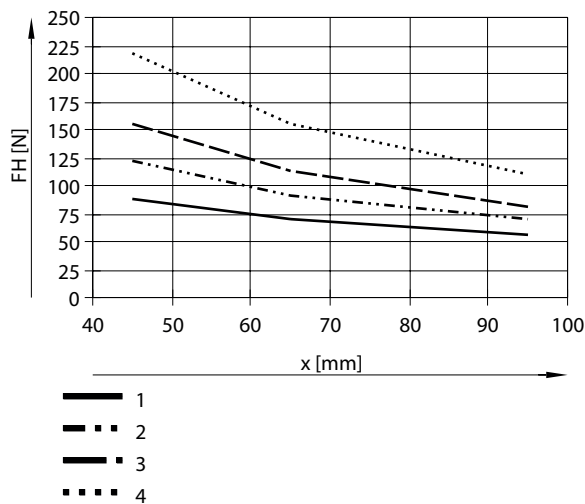
**EHPS-16: internal gripper, horizontal**



- 1 = position 1
- 2 = position 2
- 3 = position 3
- 4 = position 4

Lever arm = 25 mm / 45 mm / 65 mm  
 Gripping force at:  
 Position 1: 72 mm / 58 mm / 46 mm  
 Position 2: 96 mm / 72 mm / 56 mm  
 Position 3: 108 mm / 84 mm / 62 mm  
 Position 4: 130mm / 96 mm / 74 mm

**EHPS-20: external gripper, horizontal**



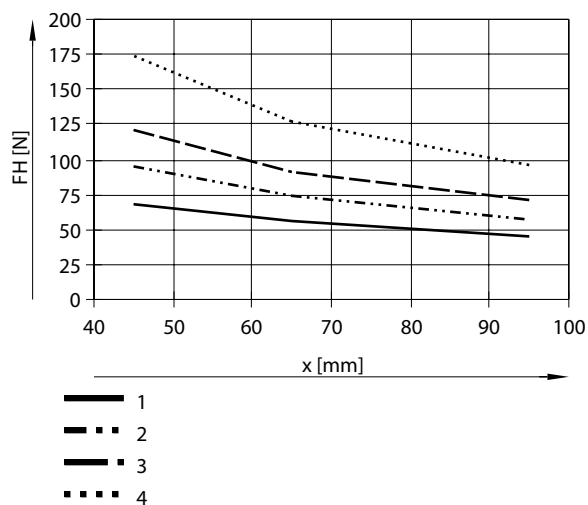
- 1 = position 1
- 2 = position 2
- 3 = position 3
- 4 = position 4

Lever arm = 45 mm / 65 mm / 95 mm  
 Gripping force at:  
 Position 1: 88 mm / 70 mm / 56 mm  
 Position 2: 122 mm / 90 mm / 70 mm  
 Position 3: 156 mm / 114 mm / 82 mm  
 Position 4: 218 mm / 154 mm / 110 mm



## Datasheet

### EHPS-20: internal gripper, horizontal



1 = position 1

2 = position 2

3 = position 3

4 = position 4

Lever arm = 45 mm / 65 mm / 95 mm

Gripping force at:

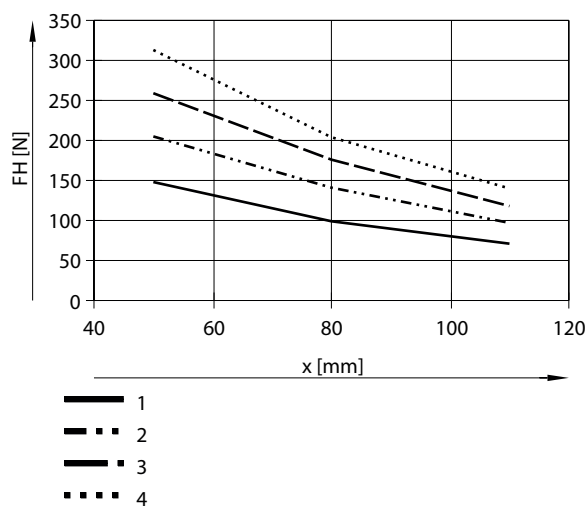
Position 1: 68 mm / 56 mm / 46 mm

Position 2: 96 mm / 74 mm / 58 mm

Position 3: 120 mm / 92 mm / 72 mm

Position 4: 174 mm / 128 mm / 96 mm

### EHPS-25: external gripper, horizontal



1 = position 1

2 = position 2

3 = position 3

4 = position 4

Lever arm = 50 mm / 80 mm / 110 mm

Gripping force at:

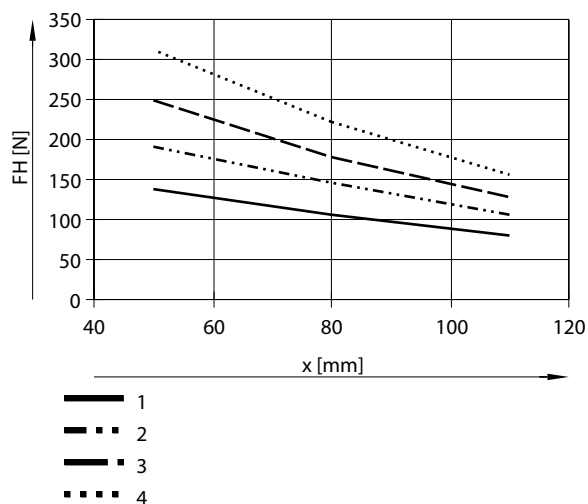
Position 1: 148 mm / 98 mm / 70 mm

Position 2: 204 mm / 140 mm / 96 mm

Position 3: 260 mm / 176 mm / 118 mm

Position 4: 312 mm / 204 mm / 140 mm

### EHPS-25: internal gripper, horizontal



1 = position 1

2 = position 2

3 = position 3

4 = position 4

Lever arm = 50 mm / 80 mm / 110 mm

Gripping force at:

Position 1: 138 mm / 106 mm / 80 mm

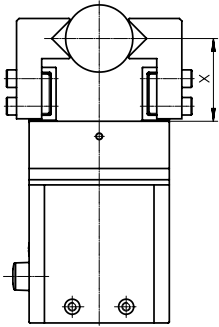
Position 2: 192 mm / 146 mm / 106 mm

Position 3: 250 mm / 178 mm / 128 mm

Position 4: 312 mm / 222 mm / 156 mm

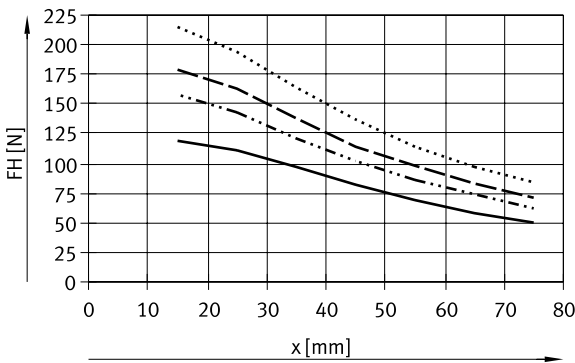
Datasheet

Total gripping force F as a function of lever arm x, vertical mounting position, external/internal gripper and position 1 ... 4



The max. achievable forces apply exclusively to centric gripping of non-elastic components. The gripping position and gripping force are not readjusted. The design of the gripper jaws has a major influence on the forces that can be achieved. For special gripping situations, it may be necessary to transmit an additional gripping signal (max. 3x in one direction).

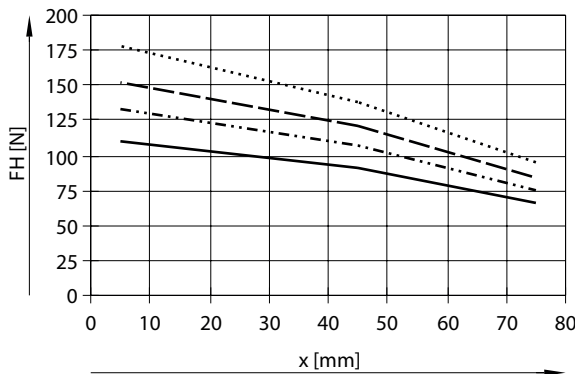
EHPS-16: External gripper, vertical



- 1 = position 1
- 2 = position 2
- 3 = position 3
- 4 = position 4

Lever arm = 15 mm / 45 mm / 75 mm  
 Gripping force at:  
 Position 1: 118 mm / 82 mm / 50 mm  
 Position 2: 158 mm / 102 mm / 62 mm  
 Position 3: 178 mm / 114 mm / 72 mm  
 Position 4: 214 mm / 138 mm / 84 mm

EHPS-16: internal gripper, vertical



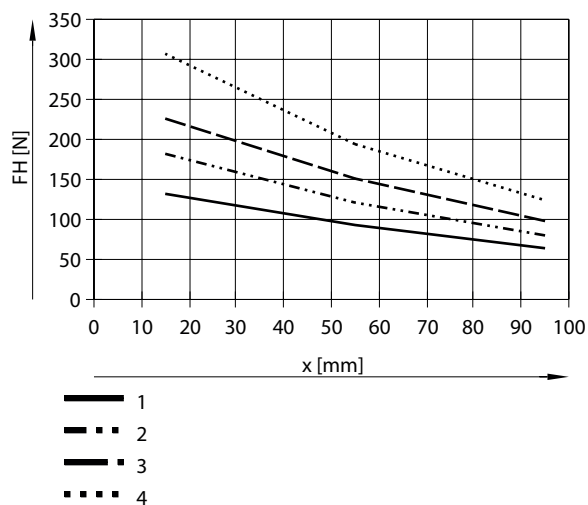
- 1 = position 1
- 2 = position 2
- 3 = position 3
- 4 = position 4

Lever arm = 15 mm / 45 mm / 75 mm  
 Gripping force at:  
 Position 1: 110 mm / 90 mm / 66 mm  
 Position 2: 134 mm / 108 mm / 74 mm  
 Position 3: 152 mm / 122 mm / 84 mm  
 Position 4: 178 mm / 138 mm / 94mm

- 1
- 2
- 3
- 4

## Datasheet

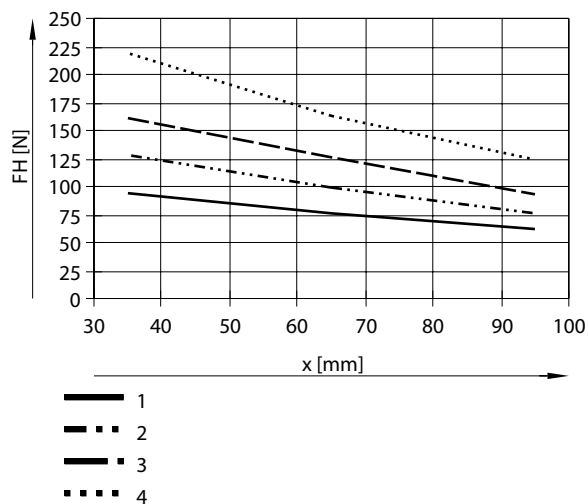
### EHPS-20: External gripper, vertical



- 1 = position 1
- 2 = position 2
- 3 = position 3
- 4 = position 4

Lever arm = 15 mm / 55 mm / 95 mm  
 Gripping force at:  
 Position 1: 132 mm / 94 mm / 64 mm  
 Position 2: 182 mm / 120 mm / 80 mm  
 Position 3: 226 mm / 150 mm / 98 mm  
 Position 4: 306 mm / 194 mm / 124 mm

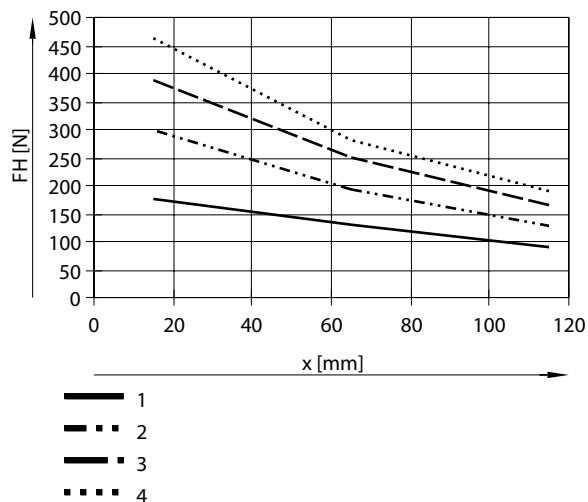
### EHPS-20: internal gripper, vertical



- 1 = position 1
- 2 = position 2
- 3 = position 3
- 4 = position 4

Lever arm = 35 mm / 65 mm / 95 mm  
 Gripping force at:  
 Position 1: 94 mm / 76 mm / 62 mm  
 Position 2: 128 mm / 100 mm / 76 mm  
 Position 3: 160 mm / 126 mm / 92 mm  
 Position 4: 220 mm / 162 mm / 124 mm

### EHPS-25: External gripper, vertical

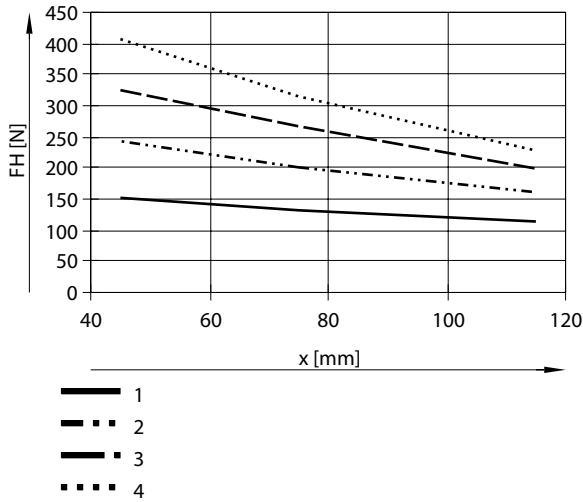


- 1 = position 1
- 2 = position 2
- 3 = position 3
- 4 = position 4

Lever arm = 15 mm / 65 mm / 115 mm  
 Gripping force at:  
 Position 1: 176 mm / 130 mm / 90 mm  
 Position 2: 298 mm / 194 mm / 128 mm  
 Position 3: 388 mm / 250 mm / 166 mm  
 Position 4: 462 mm / 280 mm / 190 mm

Datasheet

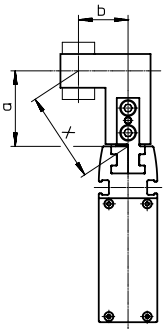
**EHPS-25: internal gripper, vertical**



- 1 = position 1
- 2 = position 2
- 3 = position 3
- 4 = position 4

Lever arm = 45 mm / 75 mm / 115 mm  
 Gripping force at:  
 Position 1: 152 mm / 132 mm / 114 mm  
 Position 2: 242 mm / 200 mm / 162 mm  
 Position 3: 326 mm / 266 mm / 198 mm  
 Position 4: 406 mm / 314 mm / 228 mm

**Gripping force F per gripper jaw as a function of lever arm x and eccentricity a and b**



Calculation example:  
 Assuming:  
 Distance a = 20 mm  
 Distance b = 25 mm  
 To be determined:  
 The gripping force in setting 4, with an EHPS-16-A, used as an external gripper and in horizontal mounting position.

**Solution**

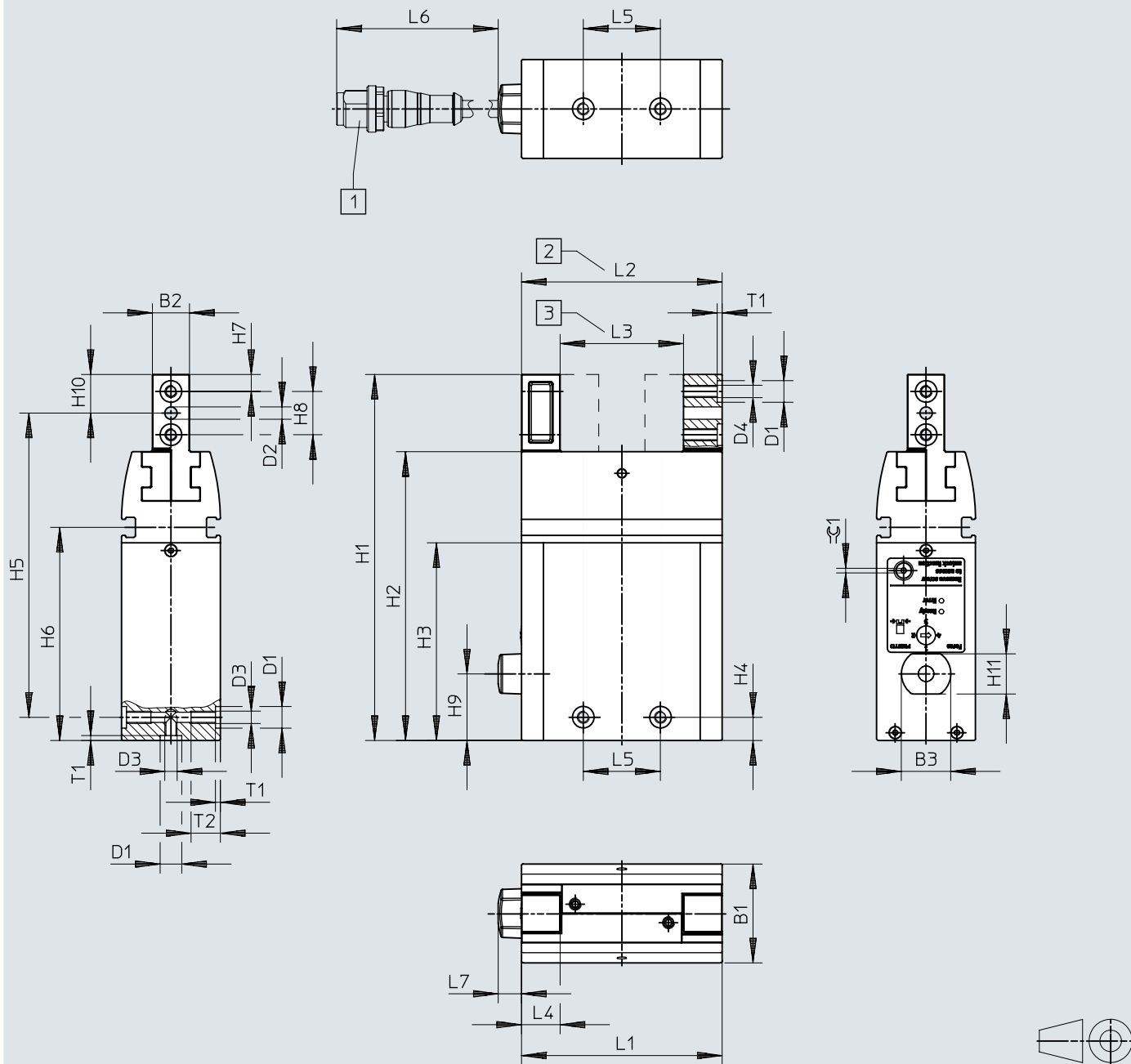
$$x = \sqrt{a^2 + b^2} = \sqrt{20^2 + 25^2} = 32 \text{ mm}$$

The formula below must be used to calculate the lever arm x with eccentric gripping.  
 The graph gives a value for the gripping force FH = approx. 140 N.

# Dimensions

## Dimensions – Gripper

Download CAD data [www.festo.com](http://www.festo.com)



- [1] Connecting cable
- [2] Gripper jaws open
- [3] Gripper jaws closed

## Dimensions

	B1 ±0,03	B2 ±0,05	B3	D1 ∅ H8	D2 ∅ H8	D3	D4	H1 ±0,1	H2
EHPS-16	26	10	16	7	3	M4	M4	99,5	78
EHPS-20	32	12	16	7	4	M4	M4	118,5	93,5
EHPS-25	39	15	16	9	4	M6	M5	139,5	110

	H3	H4 <sup>1)</sup>	H5 ±0,2	H6	H7 <sup>1)</sup>	H8 <sup>1)</sup>	H9	H10	H11
EHPS-16	55	7,5	82	59,8	4,5	11	14,5	10	13
EHPS-20	64	7,5	98,5	69	5,5	14	21,6	12,5	32
EHPS-25	75	12,5	112	80	7	16	28,6	15	39

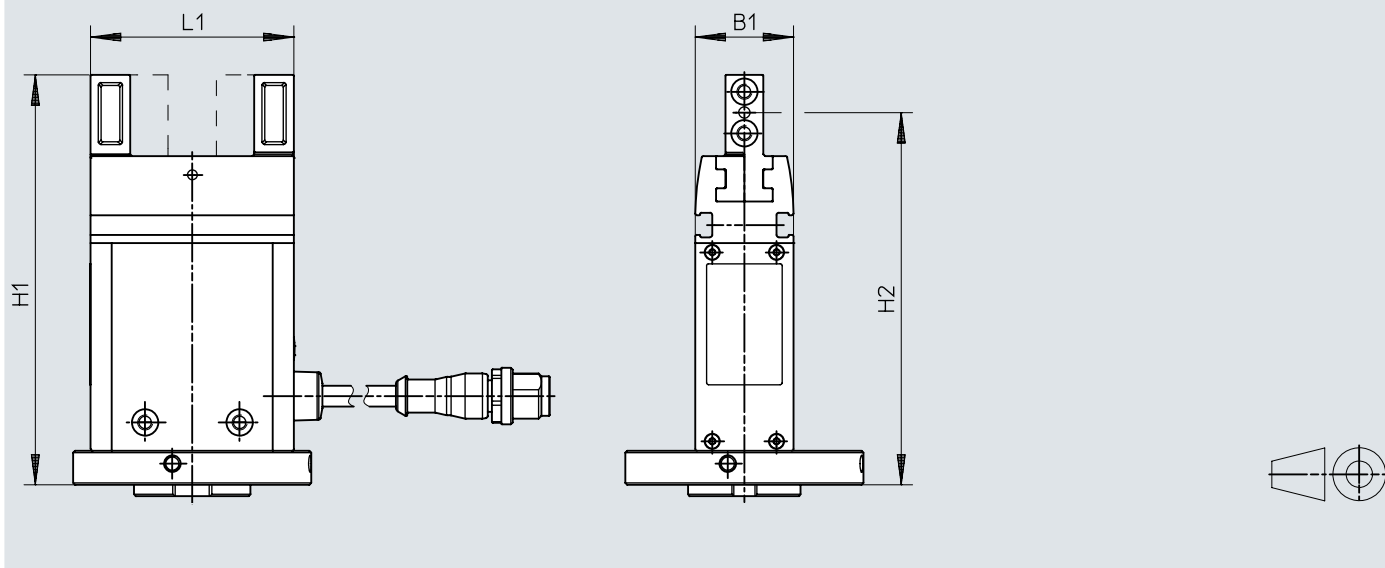
	L1 ±0,3	L2 +1	L3 ±0,5	L4 ±0,05	L5 <sup>1)</sup>	L6	L7	T1 +0,1	T2 min.	≈ $\varnothing$ 1
EHPS-16	53,8	53,8	33,8	10,5	25	300	7,5	1,6	9,5	1,5
EHPS-20	65	65	39	12,5	25	300	7,5	1,6	9,5	1,5
EHPS-25	79,4	79,4	47,4	15	29	300	7,5	2,1	12	2

1) Tolerance for centring hole ±0.02 mm / tolerance for thread ±0.1 mm

## Dimensions

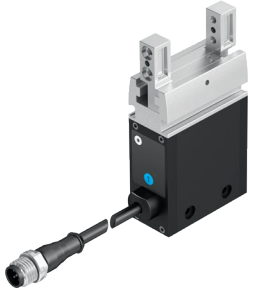
Dimensions – With robot connection

Download CAD data [www.festo.com](http://www.festo.com)

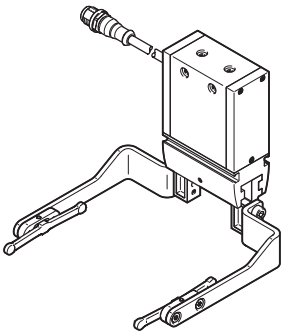


	B1	H1	H2	L1
EHPS-16	26	108,5	98,5	53,8
EHPS-20	32	127,5	115	65
EHPS-25	39	148,5	133,5	79,4

## Ordering data

Ordering data						
	Size	Bus protocol/activation	Robot connection	Part no.	Type	
	16	None	None	<b>8070832</b>	<b>EHPS-16-A</b>	
			Flange ISO 9409-1-50-4-M6	<b>8210808</b>	<b>EHPS-16-A-RA50</b>	
		IO-Link®	None	<b>8103809</b>	<b>EHPS-16-A-LK</b>	
	20	None	None	None	<b>8070831</b>	<b>EHPS-20-A</b>
				Flange ISO 9409-1-50-4-M6	<b>8210809</b>	<b>EHPS-20-A-RA50</b>
		IO-Link®	None	<b>8103810</b>	<b>EHPS-20-A-LK</b>	
	25	None	None	None	<b>8070830</b>	<b>EHPS-25-A</b>
				Flange ISO 9409-1-50-4-M6	<b>8210810</b>	<b>EHPS-25-A-RA50</b>
		IO-Link®	None	<b>8103811</b>	<b>EHPS-25-A-LK</b>	

### Transport of microwell plates

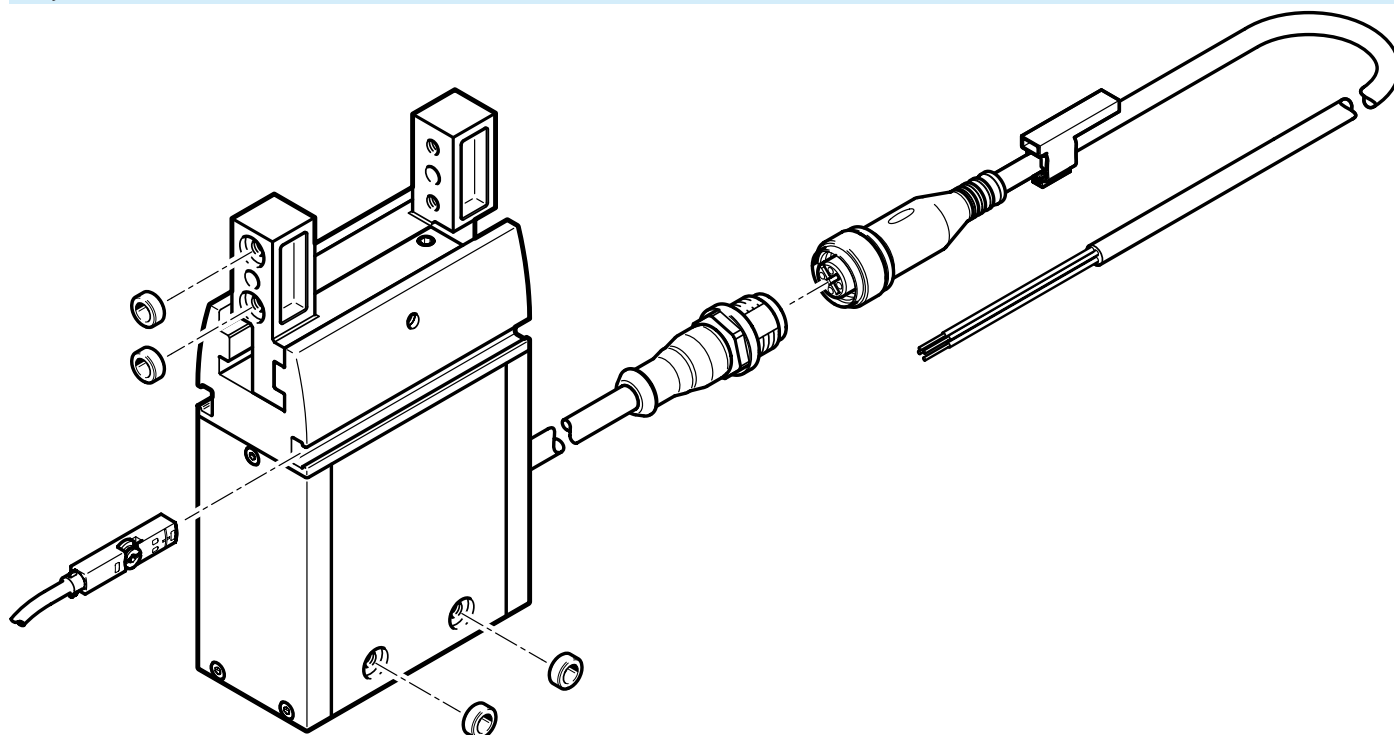


- Suitable for:EHPS-16
- Specially developed gripper jaws enable microwell plates to be picked up or transported (for SBS/ANSI formats)
- (see accessories for ordering details)




## Peripherals

## Peripherals overview




Accessories		→ Link
Type/order code	Description	
[1] Parallel gripper EHPS	Electric gripper	<a href="#">ehps</a>
[2] Proximity switches SMT-8	<ul style="list-style-type: none"> <li>• Magnetic proximity switches, for T-slot</li> <li>• For sensing the gripper jaw position</li> </ul>	<a href="#">18</a>
[2] Position transmitter SMAT-8M	Continuously detects the position of the gripper jaws. It has an analogue output with an output signal proportional to the gripper jaw position	<a href="#">19</a>
[3] Centring sleeve ZBH	<ul style="list-style-type: none"> <li>• For centring the gripper fingers on the gripper jaws</li> <li>• 4 centring sleeves are not included in the scope of delivery</li> </ul>	<a href="#">18</a>
[4] Connecting cable NEBU-M12	To control the parallel gripper	<a href="#">18</a>
[5] Centring sleeve ZBH	<ul style="list-style-type: none"> <li>• For centring the gripper during mounting</li> <li>• 2 centring sleeves are not included in the scope of delivery</li> </ul>	<a href="#">18</a>

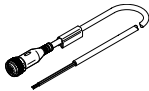
## Accessories

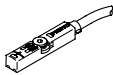
Centring sleeve ZBH-7						
	Description <sup>1)</sup>	Material sleeve	Size of pack	Product weight	Part no.	Type
	For sizes 16, 20	Steel	10	1 g	<b>8146544</b>	<b>ZBH-7-B</b>


1) Included in the scope of delivery of the gripper: 4 centring sleeves for the gripper jaws and 2 for mounting the gripper

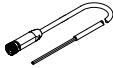
Centring sleeve ZBH-9						
	Description <sup>1)</sup>	Material sleeve	Size of pack	Product weight	Part no.	Type
	For size 25	Steel	10	2 g	<b>8137184</b>	<b>ZBH-9-B</b>

1) Included in the scope of delivery of the gripper: 4 centring sleeves for the gripper jaws and 2 for mounting the gripper

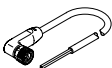
Connecting cable NEBU, straight						
	Electrical connection 1, connector system	Electrical connection 2, connector system	Electrical connection 2, number of connections/cores	Cable length	Part no.	Type
	M12x1, A-coded to EN 61076-2-101	M12x1, A-coded to EN 61076-2-101	5	5 m	<b>574321</b>	<b>NEBU-M12G5-E-5-Q8N-M12G5</b>
				7.5 m	<b>574322</b>	<b>NEBU-M12G5-E-7.5-Q8N-M12G5</b>
		Open end	4	2.5 m	★ <b>8078239</b>	<b>NEBA-M12G5-U-2.5-N-LE4</b>
				5 m	★ <b>8078240</b>	<b>NEBA-M12G5-U-5-N-LE4</b>

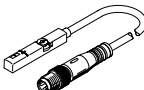
Proximity switch for T-slot, magneto-resistive <span style="float: right;">Link <a href="#">smt</a></span>						
	Type of mounting	Switching output	Electrical connection 1, connection type	Cable length	Part no.	Type
	Screw-clamped, Insertable in the slot from above	NPN	Cable	2.5 m	★ <b>574338</b>	<b>SMT-8M-A-NS-24V-E-2,5-OE</b>
			Cable with plug	0.3 m	★ <b>574339</b>	<b>SMT-8M-A-NS-24V-E-0,3-M8D</b>
		PNP	Cable	2.5 m	★ <b>574335</b>	<b>SMT-8M-A-PS-24V-E-2,5-OE</b>
			Cable with plug	0.3 m	★ <b>574334</b>	<b>SMT-8M-A-PS-24V-E-0,3-M8D</b>


Proximity switch for T-slot, magneto-resistive <span style="float: right;">Link <a href="#">smt</a></span>							
	Type of mounting	Switching output	Connection outlet orientation	Electrical connection 1, connection type	Cable length	Part no.	Type
	Clamped in T-slot, Insertable in the slot lengthwise	NPN	Lateral	Cable	2.5 m	<b>8065028</b>	<b>SMT-8G-NS-24V-E-2,5Q-OE</b>
				Cable with plug	0.3 m	<b>8065027</b>	<b>SMT-8G-NS-24V-E-0,3Q-M8D</b>
		PNP		Cable	2.5 m	<b>547859</b>	<b>SMT-8G-PS-24V-E-2,5Q-OE</b>
				Cable with plug	0.3 m	<b>547860</b>	<b>SMT-8G-PS-24V-E-0,3Q-M8D</b>

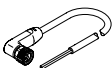
Connecting cables NEBU, straight <span style="float: right;">Link <a href="#">neba</a></span>						
	Electrical connection 1, connector system	Electrical connection 2, connector system	Electrical connection 2, number of connections/cores	Cable length	Part no.	Type
	M8x1, A-coded, to EN 61076-2-104	Open end	3	2.5 m	★ <b>8078223</b>	<b>NEBA-M8G3-U-2.5-N-LE3</b>
				5 m	★ <b>8078224</b>	<b>NEBA-M8G3-U-5-N-LE3</b>

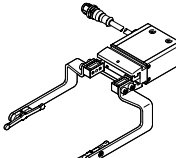
## Accessories

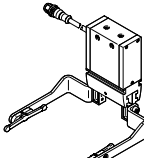
Connecting cables NEBU, angled						Link <a href="#">neba</a>
	Electrical connection 1, connector system	Electrical connection 2, connector system	Electrical connection 2, number of connections/cores	Cable length	Part no.	Type
	M8x1, A-coded, to EN 61076-2-104	Open end	3	2.5 m	★ 8078230	NEBA-M8W3-U-2.5-N-LE3
				5 m	★ 8078231	NEBA-M8W3-U-5-N-LE3

Position transmitter SMAT-8M, for T-slot						Link <a href="#">smat</a>
	Sensing range	Analogue output	Electrical connection 1, number of connections/cores	Cable length	Part no.	Type
	52 mm	0 - 10 V	4	0.3 m	553744	SMAT-8M-U-E-0,3-M8D

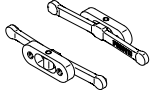
Connecting cables NEBU, straight						Link <a href="#">neba</a>
	Electrical connection 1, connector system	Electrical connection 2, connector system	Electrical connection 2, number of connections/cores	Cable length	Part no.	Type
	M8x1, A-coded, to EN 61076-2-104	Open end	4	2.5 m	★ 8078227	NEBA-M8G4-U-2.5-N-LE4
				5 m	8078228	NEBA-M8G4-U-5-N-LE4

Connecting cables NEBU, angled						Link <a href="#">neba</a>
	Electrical connection 1, connector system	Electrical connection 2, connector system	Electrical connection 2, number of connections/cores	Cable length	Part no.	Type
	M8x1, A-coded, to EN 61076-2-104	Open end	4	2.5 m	★ 8078233	NEBA-M8W4-U-2.5-N-LE4
				5 m	8078234	NEBA-M8W4-U-5-N-LE4

Gripper jaw mounting for microwell plates					
	Description	Material bracket	Product weight	Part no.	Type
	For grippers installed horizontally	High-alloy stainless steel	100 g	8146633	EHA-A-G1-B18-16-GGA1

Gripper jaw mounting for microwell plates					
	Description	Material bracket	Product weight	Part no.	Type
	For grippers installed vertically	High-alloy stainless steel	95 g	8146634	EHA-A-G1-B18-16-GGA1-AP

## Accessories

Gripper jaws for microwell plates				
	Material gripper jaws	Product weight	Part no.	Type
	High-alloy stainless steel	24.4 g	<b>8119108</b>	<b>DHAS-GG-B18-16-A1</b>