

Stopper cylinder DFSP

FESTO

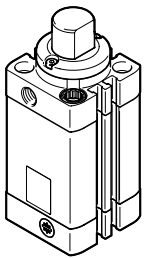


Key features

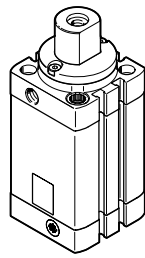
At a glance

- Versions:
 - Trunnion
 - Trunnion with female thread
 - Roller
- Single-acting, pulling
- Double-acting with spring, pulling
- Double-acting without spring
- With or without protection against rotation
- Compact design
- Sensor slots on 3 sides
- Long service life thanks to very good cushioning characteristics and sturdy piston rod guide
- Fast and simple set-up of conveyors
- Safe stopping of workpiece carriers, pallets and packages weighing up to 90 kg
- Space-saving sensing via integrated proximity switches

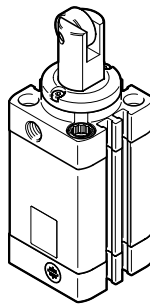
Trunnion version with/without protection against rotation



Trunnion version with female thread and with/without protection against rotation

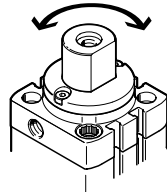


Roller version with protection against rotation



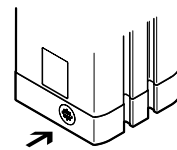
Protection against rotation

The anti-rotation ring can be rotated by 90° by loosening the screws. The compressed air can thus be connected from all 4 sides, independent of the direction of impact.



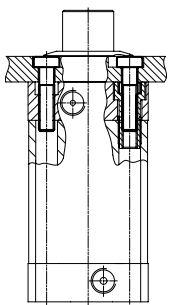
Single-acting cylinders with spring DFSP-...-P

In the variant DFSP-...-P, the cylinder can be operated as a double-acting cylinder by removing the filter nipple in the end cap.

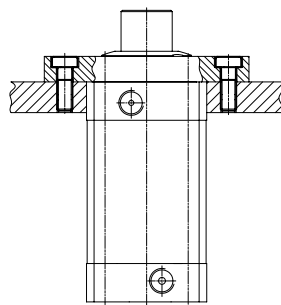


Mounting options

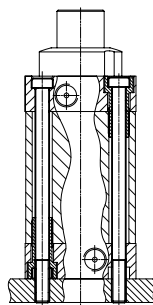
1 Direct mounting on the bearing cap



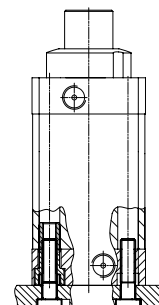
2 Direct mounting via flange mounting DAMF-F7 on the bearing cap



3 Through-hole mounting



4 Direct mounting on the end cap



Note

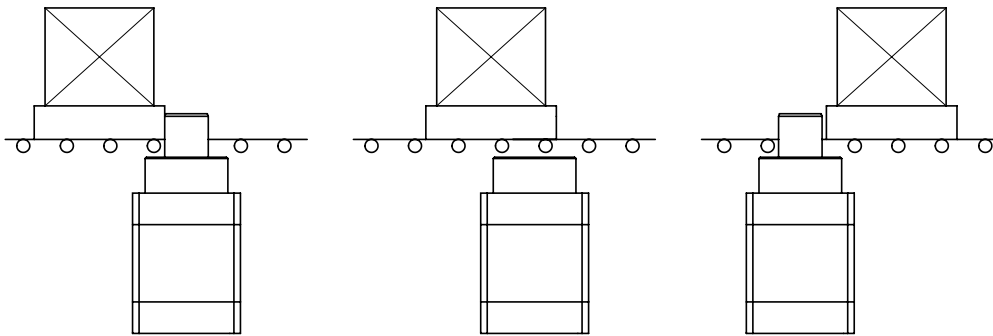
All technical data refer to mounting options 1 and 2. The values can be significantly lower for the other mounting options.

Note the minimum screw-in depth → page 12

Key features

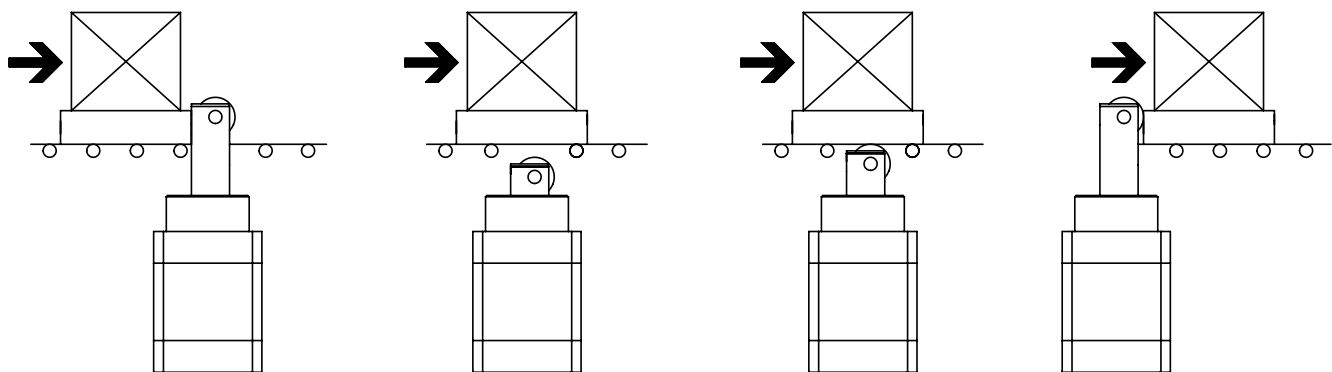
Functional sequence

Trunnion version



1. Sudden braking of the conveyed goods via the piston rod.
2. The conveyed goods are released by actuating the cylinder. The control system must hold the piston down until the conveyed goods have passed the stopper cylinder.
3. The cylinder is then advanced by spring force or compressed air. The next conveyed goods can then be stopped.

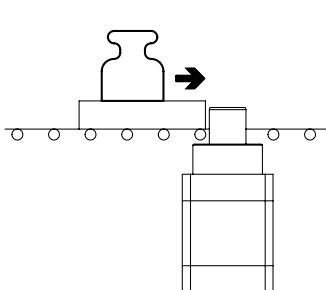
Roller version



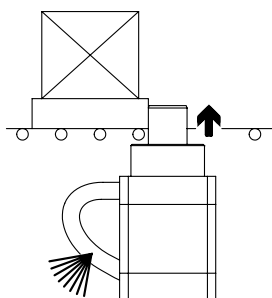
1. Sudden braking of the conveyed goods via the piston rod.
2. The conveyed goods are released by actuating the cylinder.
3. The cylinder is then advanced by spring force until the roller makes contact with the conveyed goods. The conveyed goods continue to move forward.
4. After the conveyed goods have passed, the cylinder advances to its end position. The next conveyed goods can then be stopped.

Applications and versions

Stopping large loads



Safety



Safe stopping of conveyed goods in the event of an emergency off or pressure failure is guaranteed as the piston rod advances using spring force (single-acting/double-acting with spring).

High lateral forces on the piston rod are possible, e.g. as a result of latching or holding loads.

Type codes

001	Series	
DFSP	Stopper cylinder, single- or double-acting	

002	Protection against rotation	
	None	
Q	With protection against rotation	

003	Piston diameter	
16	16	
20	20	
32	32	
40	40	
50	50	

004	Stroke	
10	10	
15	15	
20	20	
25	25	
30	30	
...	10 ... 30	

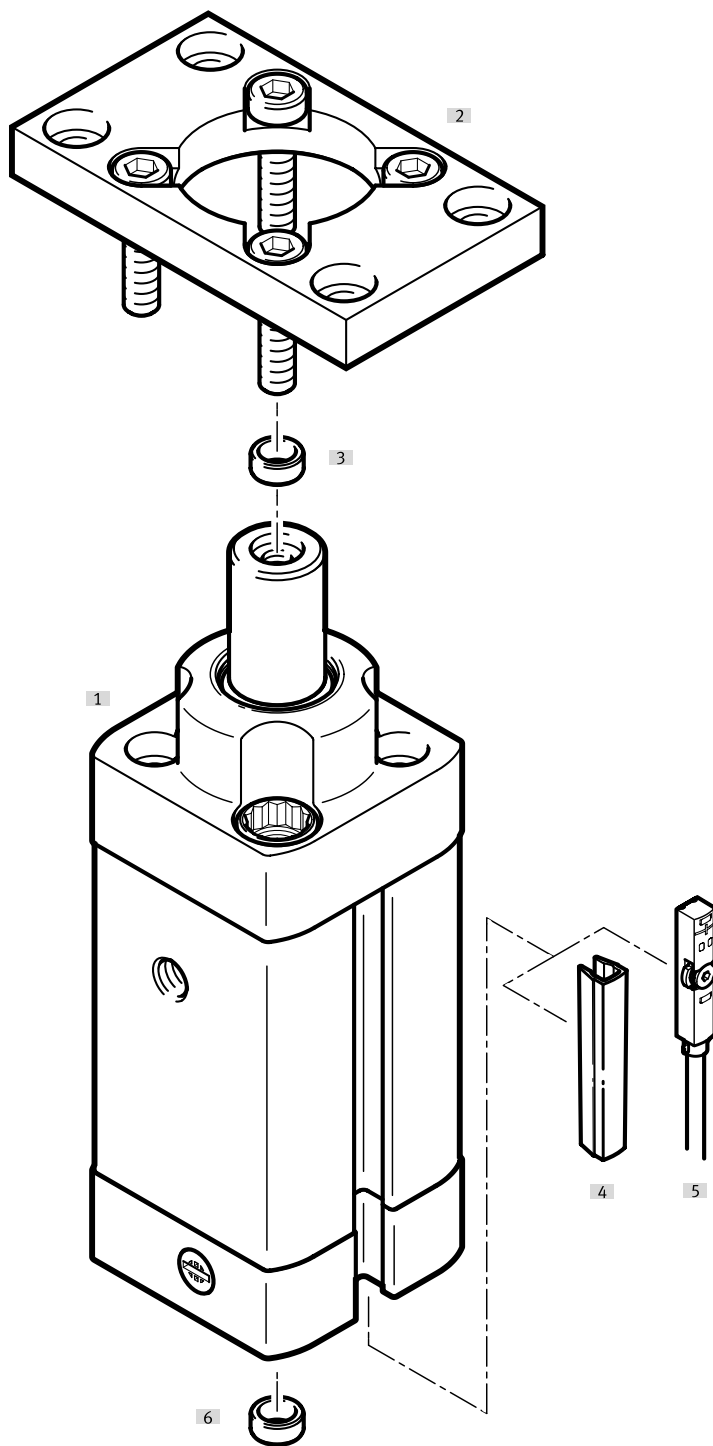
005	Function	
	Double-acting with spring	
D	Double-acting	
P	Single-acting with spring	

006	Piston rod design	
S	Standard	
F	With female thread	
R	With roller	

007	Cushioning	
P	Elastic cushioning rings/plates on both sides	

008	Position sensing	
A	For proximity sensor	


Peripherals overview




Accessories		
Type/order code	Description	→ Page/Internet
[1] Stopper cylinder DFSP	Double or single-acting version	6
[2] Flange mounting DAMF-F7	Mounting option via flange plate	20
[3] Centring sleeve ZBH	For precise mounting on the piston rod with female thread	21
[4] Slot cover ABP	For protection against the ingress of dirt	21
[5] Proximity switch SME/SMT-8	Can be integrated into profile slot	21
[6] Centring sleeve ZBH	For precise fitting of the stopper cylinder	21

Stopper cylinder DFSP


Datasheet

-  - Diameter
16 ... 50 mm

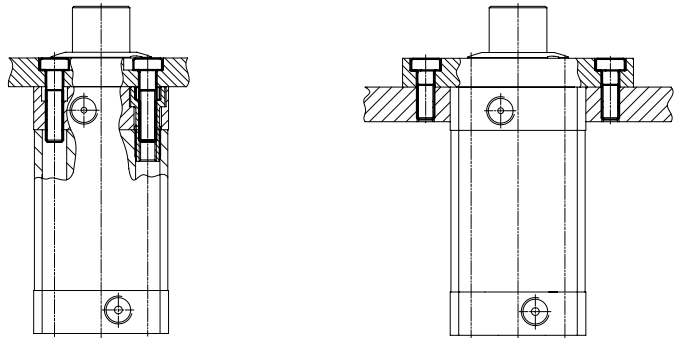
-  - Stroke length
5 ... 30 mm



General technical data		16	20	32	40	50
Piston \varnothing		16	20	32	40	50
Pneumatic connection		M5	M5	G1/8	G1/8	G1/8
Stroke	[mm]	5 ... 15	5 ... 20	5 ... 25	5 ... 30	5 ... 30
Max. switching frequency	[Hz]	5				
Design	Piston					
	Piston rod					
	Piston rod with roller					
	Profile tube					
	Non-rotating					
Operating mode	Double-acting with spring, pulling					
	Double-acting without spring					
	Single-acting, pulling					
Cushioning	Elastic cushioning rings/pads at both ends					
Type of mounting	Via through-hole					
	With female thread					
	Via accessories					
Position sensing	Via proximity switch					
Mounting position	Any					

-  - **Note**

All technical data refer to the mounting options (→ right). The values may be much lower with the other mounting options.
Note the minimum screw-in depth → page 12



Datasheet

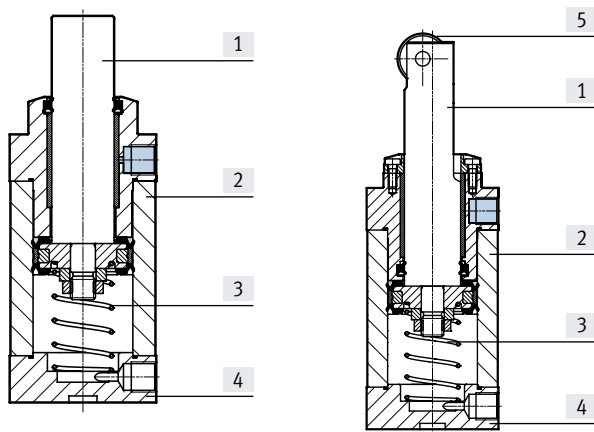
Operating and environmental conditions						
Piston \varnothing		16	20	32	40	50
Operating medium	Compressed air to ISO 8573-1:2010 [7:4:4]					
Note on the operating/pilot medium	Lubricated operation possible (in which case lubricated operation will always be required)					
Min. operating pressure						
Without spring	[MPa]	0.1				
	[bar]	1				
With spring	[MPa]	0.28	0.16	0.12	0.12	0.12
	[bar]	2.8	1.6	1.2	1.2	1.2
At max. lateral force	[MPa]	→ Page 10				
	[bar]					
Max. operating pressure	[MPa]	1				
	[bar]	10				
Ambient temperature ¹⁾	[°C]	-10 ... +80				
Corrosion resistance class CRC ²⁾	2 - Moderate corrosion stress					

- 1) Note operating range of proximity switches
- 2) More information: www.festo.com/x/topic/crc

Effective force and impact energy						
Piston \varnothing		16	20	32	40	50
Effective force at 0.6 MPa (6 bar), advancing						
DFSP-...	[N]	107	171	438	683	1064
DFSP-...-D	[N]	121	188	483	754	1178
Effective force at 0.6 MPa (6 bar), retracting						
DFSP-...	[N]	74	121	294	459	696
Max. impact energy of the cylinder in the end positions						
DFSP-...	[J]	0.1	0.15	0.4	0.7	1.0

Materials

Sectional view



Stopper cylinder		
[1]	Piston rod	High-alloy stainless steel
[2]	Profile tube	Smooth-anodised wrought aluminium alloy
[3]	Spring	Spring steel
[4]	Cover	Anodised wrought aluminium alloy
[5]	Roller	Galvanised steel
-	Flange screws	High-alloy stainless steel
-	Seals	TPE-U(PU)
-	Anti-rotation ring	POM
-	Note on materials	RoHS-compliant
-	LABS (PWIS) conformity	VDMA24364-B1/B2-L

Datasheet

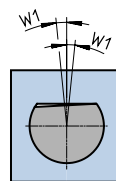
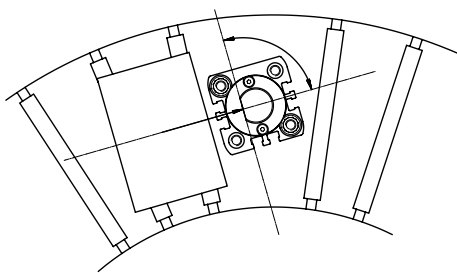
Weight [g]	16	20	32	40	50
Piston ø					
Product weight					
with 0 mm stroke					
DFSP-...S	113	189	409	633	948
DFSP-...F	112	188	406	626	941
DFSP-Q-...S	111	185	402	628	937
DFSP-Q-...F	110	184	399	621	930
DFSP-Q-...R	113	188	419	666	1007
Additional weight per 10 mm stroke					
DFSP-...S	16.1	24.7	45.5	68.4	99.5
DFSP-...F					
DFSP-Q-...S	15.6	23.7	43.7	65.8	94.9
DFSP-Q-...F					
DFSP-Q-...R					
Moving mass					
with 0 mm stroke					
DFSP-...S	30	50	156	263	436
DFSP-...F	29	50	153	257	429
DFSP-Q-...S	29	49	155	261	430
DFSP-Q-...F	29	49	152	254	424
DFSP-Q-...R	31	52	171	299	501
Additional weight per 10 mm stroke					
DFSP-...S	6.3	9.0	25.1	39.3	64.3
DFSP-...F					
DFSP-Q-...S	5.7	8.1	23.3	36.6	59.7
DFSP-Q-...F					
DFSP-Q-...R					
Spring	1.3	1.3	3.2	6.6	11.1

Stopper cylinder with protection against rotation

For the DFSP-Q-... (with anti-rotation ring), the alignment and direction of movement of the conveyed goods must be exactly perpendicular with respect to the flat impact surface of the piston rod. Conveyed goods approaching at an angle reduce the service life of the cylinder and can lead to the anti-rotation ring breaking.

The anti-rotation ring can be rotated 90° into the desired position.

The compressed air can thus be connected from all 4 sides, independent of the direction of impact.



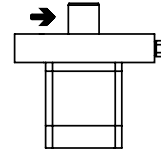
Piston ø	16	20	32	40	50
Permissible torque on the piston rod [Nm]	1	1.5	2.5	2.5	3.5
Permissible torsional backlash W1 in new condition [°]	±5	±4	±4	±4	±3

Datasheet

Permissible impact force on the advanced piston rod

The impact force refers to the maximum of a force-time curve with unknown details during impact/braking of the moving mass. It acts perpendicularly to the direction of motion of the piston rod. By treating the elastic components as linear springs, the permissible impact force can be used to calculate the permissible impact energy so that the right stopper can be selected. The stopper must not be switched below this force.

Depending on the type of load to be stopped, it is a good idea to provide an elastic buffer to cushion the impact, reduce the noise and optimise the impact energy.



→ = Direction of impact force

Piston \varnothing		16	20	32	40	50
DFSP-...	[N]	880	1370	3270	5540	6280
DFSP-Q-...	[N]	880	1100	3270	5540	6280
DFSP-Q-...-R	[N]	710	840	2670	4500	5000

Permissible load m as a function of conveyor speed v

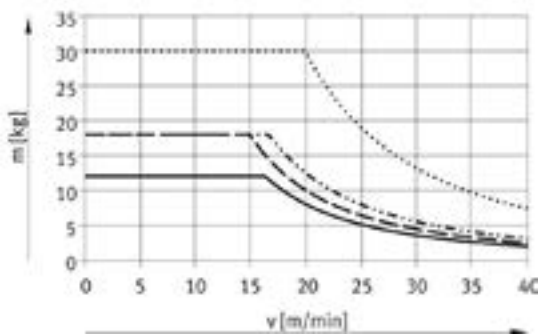
A prerequisite for the values in the graphs is an elastic buffer on the workpiece carrier with a deformation path of 1 mm.

A shorter deformation path reduces the impact force.

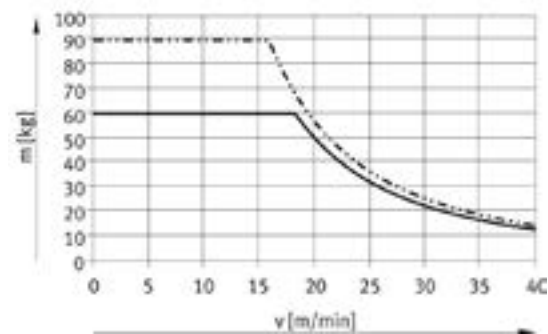
Note

Selection aid → page 22

DFSP-... / DFSP-Q-... – with trunnion

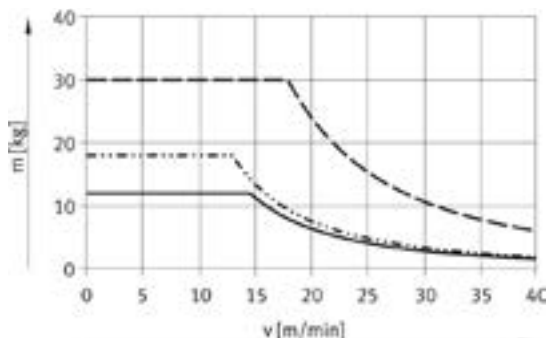


- DFSP-16/DFSP-Q-16
- - - - - DFSP-20
- - - - - DFSP-Q-20
- DFSP-32/DFSP-Q-32

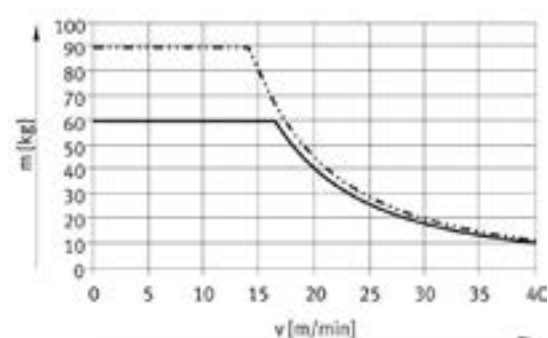


- DFSP-40/DFSP-Q-40
- - - - - DFSP-50/DFSP-Q-50

DFSP-Q-...-R – with roller



- DFSP-Q-16-R
- - - - - DFSP-Q-20-R
- - - - - DFSP-Q-32-R

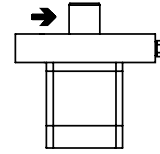


- DFSP-Q-40-R
- - - - - DFSP-Q-50-R

Datasheet

Permissible lateral force F on the advanced piston rod during switching

The permissible lateral force during switching refers to the force still applied perpendicularly to the direction of motion of the piston rod after the end of impact/braking, for example due to the continued operation of conveyors or the downward force of an inclined rolling surface. The force acts statically. The stopper can be switched below this force. A minimum pressure must be applied in order to guarantee the cylinder function → page 6



→ = Direction of impact force

Piston \varnothing		16	20	32	40	50
DFSP-...	[N]	130	210	570	950	1500
DFSP-Q-...	[N]	130	210	570	950	1500
DFSP-Q-...-R	[N]	100	160	420	750	1200

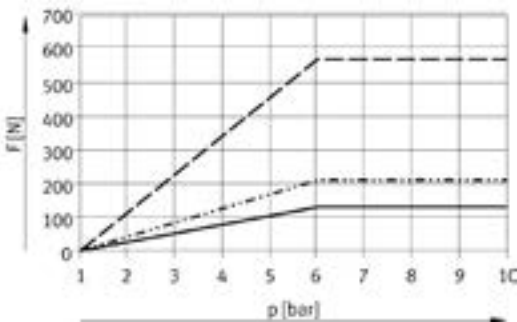
Permissible lateral force F during switching as a function of the pressure p

Sufficient compressed air must be applied during pressurised switching to be able to overcome the bearing friction.

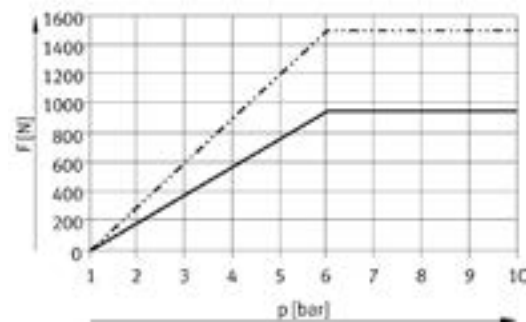
If the compressed air is below 0.6 MPa (6 bar), the following graphs and the minimum operating pressure should be observed.

Note
Selection aid → page 22

DFSP-... / DFSP-Q-... – with trunnion

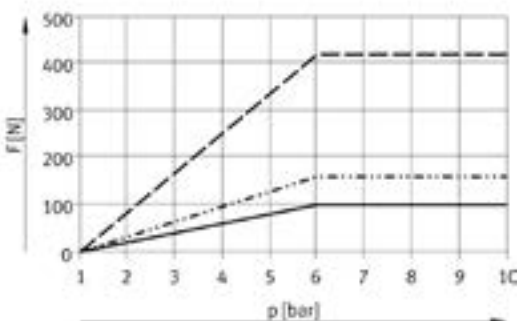


- DFSP-16
- ⋯ DFSP-20
- - - DFSP-32

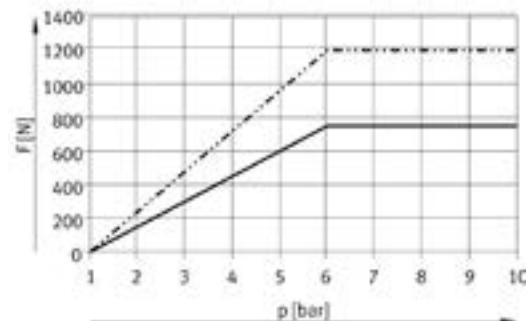


- DFSP-40
- ⋯ DFSP-50

DFSP-Q-...-R – with roller



- DFSP-Q-16-R
- ⋯ DFSP-Q-20-R
- - - DFSP-Q-32-R



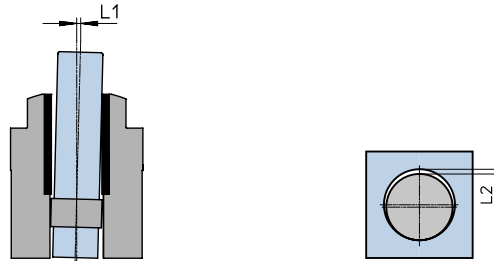
- DFSP-Q-40-R
- ⋯ DFSP-Q-50-R

Datasheet

Bearing clearance of the piston rod when subjected to lateral force F

The specifications are valid for the following conditions:

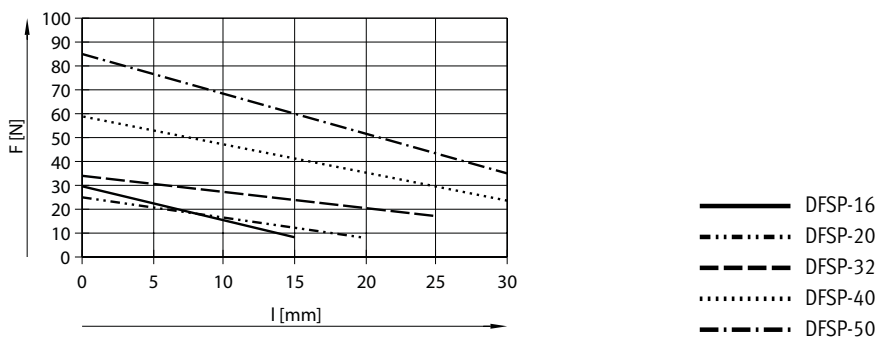
- In new condition
- Without compressed air
- Max. lateral force
- Advanced piston rod



Piston \varnothing		16	20	32	40	50
Dimension L1						
DFSP-...	[mm]	± 0.2	± 0.25	± 0.25	± 0.3	± 0.3
DFSP-Q-...	[mm]	± 0.25	± 0.3	± 0.3	± 0.3	± 0.35
Dimension L2						
Absolute bearing clearance	[mm]	± 0.1	± 0.12	± 0.14	± 0.14	± 0.17

Spring return force F as a function of stroke l

- For single-acting cylinders, the effective force is reduced compared to the theoretical force by the values for frictional and spring force
- The frictional force must be smaller than the spring force
- The friction depends on the mounting position and the type of load
- Single-acting cylinders should as far as possible be operated without lateral forces when advancing (spring force).

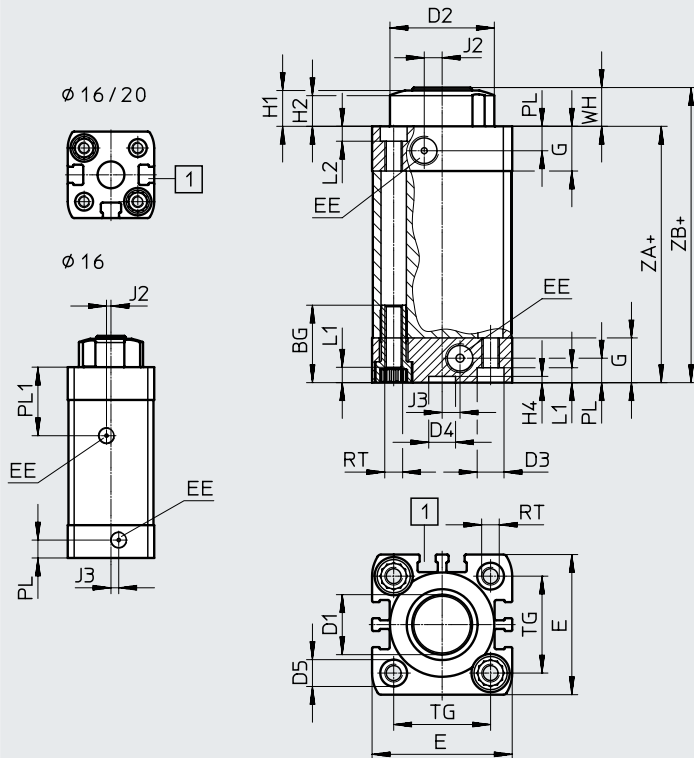


Datasheet

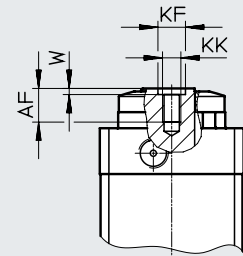
Dimensions

Download CAD data → www.festo.com

DFSP... – with trunnion



DFSP...-F
With female thread



+ = plus stroke length

Dimension G = min. screw-in depth

[1] Sensor slot for proximity switch

∅	AF	BG	D1	D2	D3	D4	D5	E	EE	G	H1	H2	H4	J2
[mm]	min.	min.	∅	∅ f8	∅ F9	∅ H9	∅ F9	+0.3			±0.3	±0.3	+0.1	
16	6	17	10	21.5	6	9	6	29	M5	11	9.5	8.4	2.1	1.5
20	6	19.5	12	25	9	9	7.5	35.5	M5	12	9.5	8.4	2.1	4
32	11	26	20	35	9	9	9	47	G1/8	15	12	10.5	2.1	6
40	14.5	26	25	43	9	9	9	54.5	G1/8	15	12.5	10.5	2.1	8
50	14.5	27	32	51	12	12	10.5	65.5	G1/8	15	14.5	12.5	2.6	10

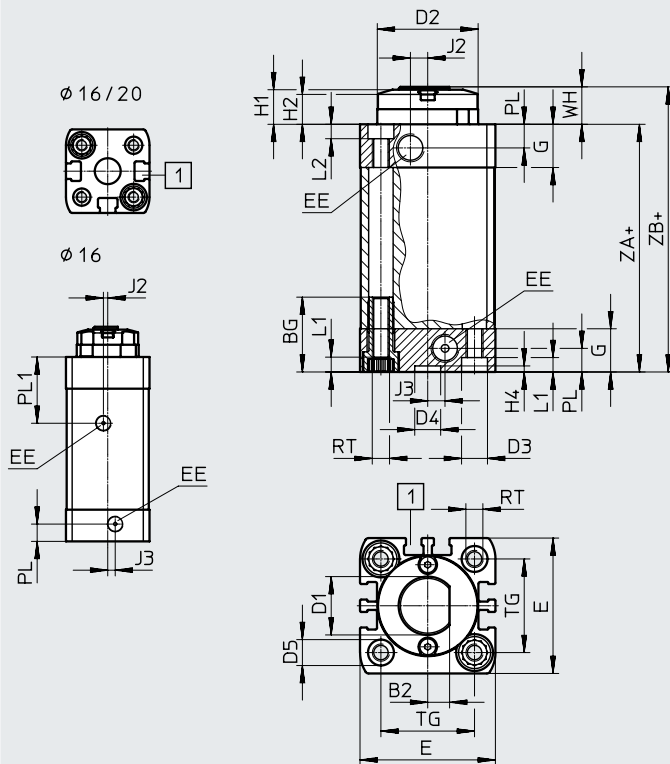
∅	J3	KF	KK	L1	L2	PL	PL1	RT	TG	W	WH	ZA	ZB
[mm]		∅ H7		+0.2	+0.2	+0.2	±0.4		±0.2	+0.1	±0.7	±0.3	±0.7
16	2.6	5	M3	3.5	3	6	23	M4	18	1.2	10.5	49	59.5
20	2.6	5	M3	5	4	6	–	M5	22	1.2	10.5	53.5	64
32	6	9	M6	5	5	8.2	–	M6	32.5	2	13	61	74
40	8	12	M8	5	5	8.2	–	M6	38	2.5	13.5	66.5	80
50	8	12	M8	5	4.2	8.2	–	M8	46.5	2.5	15.5	65.5	81

Datasheet

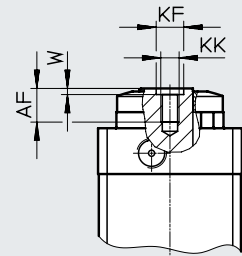
Dimensions

DFSP-Q... – with trunnion and protection against rotation

Download CAD data → www.festo.com



DFSP...-F
With female thread



+ = plus stroke length

Dimension G = min. screw-in depth

[1] Sensor slot for proximity switch

∅	AF	B2	BG	D1	D2	D3	D4	D5	E	EE	G	H1	H2	H4
[mm]	min.	-0.15	min.	∅	∅ f8	∅ F9	∅ H9	∅ F9	+0.3			±0.3	±0.3	+0.1
16	6	3.5	17	10	21.5	6	9	6	29	M5	11	9.5	8.4	2.1
20	6	4	19.5	12	25	9	9	7.5	35.5	M5	12	9.5	8.4	2.1
32	11	7.5	26	20	35	9	9	9	47	G1/8	15	12	10.5	2.1
40	14.5	9.5	26	25	43	9	9	9	54.5	G1/8	15	12.5	10.5	2.1
50	14.5	12	27	32	51	12	12	10.5	65.5	G1/8	15	14.5	12.5	2.6

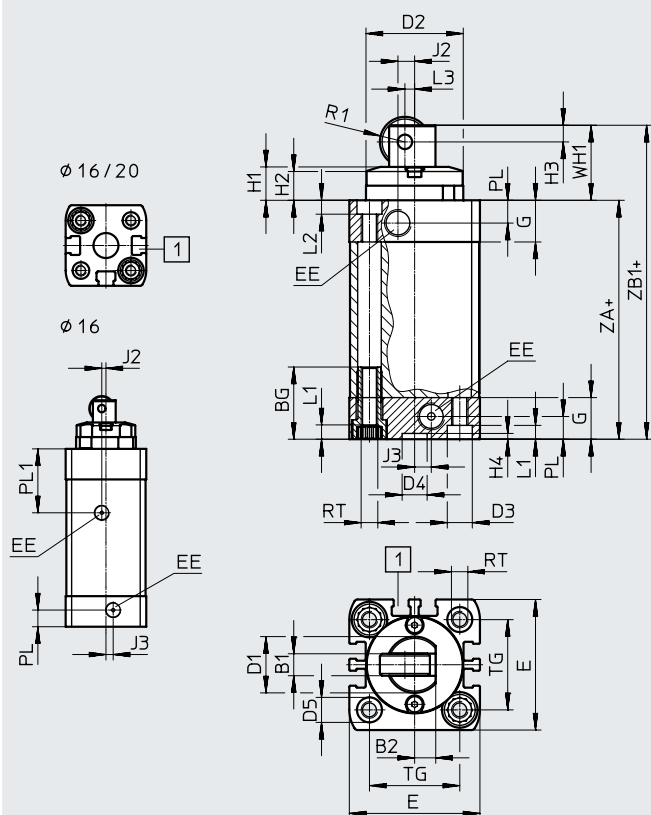
∅	J2	J3	KF	KK	L1	L2	PL	PL1	RT	TG	W	WH	ZA	ZB
[mm]			∅ H7		+0.2	+0.2	+0.2	±0.4		±0.2	+0.1	±0.7	±0.3	±0.7
16	1.5	2.6	5	M3	3.5	3	6	23	M4	18	1.2	10.5	49	59.5
20	4	2.6	5	M3	5	4	6	–	M5	22	1.2	10.5	53.5	64
32	6	6	9	M6	5	5	8.2	–	M6	32.5	2	13	61	74
40	8	8	12	M8	5	5	8.2	–	M6	38	2.5	13.5	66.5	80
50	10	8	12	M8	5	4.2	8.2	–	M8	46.5	2.5	15.5	65.5	81

Datasheet

Dimensions

Download CAD data → www.festo.com

DFSP-Q-...-R – with roller and protection against rotation



+ = plus stroke length

Dimension G = min. screw-in depth

[1] Sensor slot for proximity switch

∅	B1	B2	BG	D1	D2	D3	D4	D5	E	EE	G	H1	H2	H3
[mm]	-0.2	-0.15	min.	∅	∅ f8	∅ F9	∅ H9	∅ F9	+0.3			±0.3	±0.3	
16	3.5	3.5	17	10	21.5	6	9	6	29	M5	11	9.5	8.4	3
20	4	4	19.5	12	25	9	9	7.5	35.5	M5	12	9.5	8.4	3
32	8	7.5	26	20	35	9	9	9	47	G1/8	15	12	10.5	6
40	8	9.5	26	25	43	9	9	9	54.5	G1/8	15	12.5	10.5	7
50	10	12	27	32	51	12	12	10.5	65.5	G1/8	15	14.5	12.5	7.5

∅	H4	J2	J3	L1	L2	L3	PL	PL1	R1	RT	TG	WH1	ZA	ZB1
[mm]	+0.1			+0.2	+0.2		+0.2	±0.4			±0.2	±0.7	±0.3	±0.7
16	2.1	1.5	2.6	3.5	3	1.5	6	23	4.5	M4	18	17.5	49	66.5
20	2.1	4	2.6	5	4	2	6	–	5	M5	22	17.5	53.5	71
32	2.1	6	6	5	5	3.5	8.2	–	9	M6	32.5	27	61	88
40	2.1	8	8	5	5	5	8.2	–	11	M6	38	30.5	66.5	97
50	2.6	10	8	5	4.2	7	8.2	–	12.5	M8	46.5	34.5	65.5	100


Datasheet

Ordering data									
Stroke [mm]	Piston rod variant			Function			Protection against rotation	Part no.	Type
	With trunnion	With trunnion and female thread	With roller	Double-acting with spring, pulling	Double-acting without spring	Single-acting, pulling	With protection against rotation		
Piston ø 16									
10	■			■				576056	DFSP-16-10-S-PA
	■				■			576058	DFSP-16-10-DS-PA
	■					■		576060	DFSP-16-10-PS-PA
		■		■				576062	DFSP-16-10-F-PA
		■			■			576064	DFSP-16-10-DF-PA
		■				■		576066	DFSP-16-10-PF-PA
		■				■	■	576068	DFSP-Q-16-10-DF-PA
15			■			■	■	576070	DFSP-Q-16-10-PR-PA
	■			■				576057	DFSP-16-15-S-PA
	■				■			576059	DFSP-16-15-DS-PA
	■					■		576061	DFSP-16-15-PS-PA
		■		■				576063	DFSP-16-15-F-PA
		■			■			576065	DFSP-16-15-DF-PA
		■				■		576067	DFSP-16-15-PF-PA
	■				■	■	576069	DFSP-Q-16-15-DF-PA	
			■			■	■	576071	DFSP-Q-16-15-PR-PA
Piston ø 20									
10	■			■				576072	DFSP-20-10-S-PA
	■				■			576075	DFSP-20-10-DS-PA
	■					■		576078	DFSP-20-10-PS-PA
		■		■				576081	DFSP-20-10-F-PA
		■			■			576084	DFSP-20-10-DF-PA
		■				■		576087	DFSP-20-10-PF-PA
		■				■	■	576090	DFSP-Q-20-10-DF-PA
15			■			■	■	576093	DFSP-Q-20-10-PR-PA
	■			■				576073	DFSP-20-15-S-PA
	■				■			576076	DFSP-20-15-DS-PA
	■					■		576079	DFSP-20-15-PS-PA
		■		■				576082	DFSP-20-15-F-PA
		■			■			576085	DFSP-20-15-DF-PA
		■				■		576088	DFSP-20-15-PF-PA
	■				■	■	576091	DFSP-Q-20-15-DF-PA	
20			■			■	■	576094	DFSP-Q-20-15-PR-PA
	■			■				576074	DFSP-20-20-S-PA
	■				■			576077	DFSP-20-20-DS-PA
	■					■		576080	DFSP-20-20-PS-PA
		■		■				576083	DFSP-20-20-F-PA
		■			■			576086	DFSP-20-20-DF-PA
		■				■		576089	DFSP-20-20-PF-PA
	■				■	■	576092	DFSP-Q-20-20-DF-PA	
			■			■	■	576095	DFSP-Q-20-20-PR-PA

 **Note**
Additional variants → page 19

Datasheet

Ordering data									
Stroke [mm]	Piston rod variant			Function			Protection against rota- tion	Part no.	Type
	With trunnion	With trunnion and female thread	With roller	Double-acting with spring, pulling	Double-acting without spring	Single-acting, pulling	With protec- tion against rotation		
Piston ø 32									
15	■			■				576096	DFSP-32-15-S-PA
	■				■			576099	DFSP-32-15-DS-PA
	■					■		576102	DFSP-32-15-PS-PA
		■		■				576105	DFSP-32-15-F-PA
		■			■			576108	DFSP-32-15-DF-PA
		■				■		576111	DFSP-32-15-PF-PA
		■				■	■	576114	DFSP-Q-32-15-DF-PA
20			■			■	■	576117	DFSP-Q-32-15-PR-PA
	■			■				576097	DFSP-32-20-S-PA
	■				■			576100	DFSP-32-20-DS-PA
	■					■		576103	DFSP-32-20-PS-PA
		■		■				576106	DFSP-32-20-F-PA
		■			■			576109	DFSP-32-20-DF-PA
		■				■		576112	DFSP-32-20-PF-PA
25		■					■	576115	DFSP-Q-32-20-DF-PA
		■				■	■	576118	DFSP-Q-32-20-PR-PA
	■			■				576098	DFSP-32-25-S-PA
	■				■			576101	DFSP-32-25-DS-PA
	■					■		576104	DFSP-32-25-PS-PA
		■		■				576107	DFSP-32-25-F-PA
		■			■			576110	DFSP-32-25-DF-PA
	■				■		576113	DFSP-32-25-PF-PA	
	■				■		576116	DFSP-Q-32-25-DF-PA	
			■			■	576119	DFSP-Q-32-25-PR-PA	

 - Note
Additional variants → page 19


Datasheet

Ordering data									
Stroke [mm]	Piston rod variant			Function			Protection against rotation	Part no.	Type
	With trunnion	With trunnion and female thread	With roller	Double-acting with spring, pulling	Double-acting without spring	Single-acting, pulling	With protection against rotation		
Piston ø 40									
20	■			■				576120	DFSP-40-20-S-PA
	■				■			576123	DFSP-40-20-DS-PA
	■					■		576126	DFSP-40-20-PS-PA
		■		■				576129	DFSP-40-20-F-PA
		■			■			576132	DFSP-40-20-DF-PA
		■				■		576135	DFSP-40-20-PF-PA
		■			■	■		576138	DFSP-Q-40-20-DF-PA
25			■			■	■	576141	DFSP-Q-40-20-PR-PA
	■			■				576121	DFSP-40-25-S-PA
	■				■			576124	DFSP-40-25-DS-PA
	■					■		576127	DFSP-40-25-PS-PA
		■		■				576130	DFSP-40-25-F-PA
		■			■			576133	DFSP-40-25-DF-PA
		■				■		576136	DFSP-40-25-PF-PA
30			■			■	■	576139	DFSP-Q-40-25-DF-PA
			■			■	■	576142	DFSP-Q-40-25-PR-PA
	■			■				576122	DFSP-40-30-S-PA
	■				■			576125	DFSP-40-30-DS-PA
	■					■		576128	DFSP-40-30-PS-PA
		■		■				576131	DFSP-40-30-F-PA
		■			■			576134	DFSP-40-30-DF-PA
	■				■		576137	DFSP-40-30-PF-PA	
	■			■			576140	DFSP-Q-40-30-DF-PA	
			■		■	■	576143	DFSP-Q-40-30-PR-PA	

 **Note**
Additional variants → page 19

Datasheet

Ordering data									
Stroke [mm]	Piston rod variant			Function			Protection against rota- tion	Part no.	Type
	With trunnion	With trunnion and female thread	With roller	Double-acting with spring, pulling	Double-acting without spring	Single-acting, pulling	With protec- tion against rotation		
Piston ø 50									
20	■			■				576144	DFSP-50-20-S-PA
	■				■			576147	DFSP-50-20-DS-PA
	■					■		576150	DFSP-50-20-PS-PA
		■		■				576153	DFSP-50-20-F-PA
		■			■			576156	DFSP-50-20-DF-PA
		■				■		576159	DFSP-50-20-PF-PA
		■			■		■	576162	DFSP-Q-50-20-DF-PA
25			■			■	■	576165	DFSP-Q-50-20-PR-PA
	■			■				576145	DFSP-50-25-S-PA
	■				■			576148	DFSP-50-25-DS-PA
	■					■		576151	DFSP-50-25-PS-PA
		■		■				576154	DFSP-50-25-F-PA
		■			■			576157	DFSP-50-25-DF-PA
		■				■		576160	DFSP-50-25-PF-PA
30			■			■	■	576163	DFSP-Q-50-25-DF-PA
			■			■	■	576166	DFSP-Q-50-25-PR-PA
	■			■				576146	DFSP-50-30-S-PA
	■				■			576149	DFSP-50-30-DS-PA
	■					■		576152	DFSP-50-30-PS-PA
		■		■				576155	DFSP-50-30-F-PA
		■			■			576158	DFSP-50-30-DF-PA
	■				■		576161	DFSP-50-30-PF-PA	
	■			■		■	576164	DFSP-Q-50-30-DF-PA	
			■		■	■	576167	DFSP-Q-50-30-PR-PA	

 - Note

Additional variants → page 19

Ordering data – Modular product system

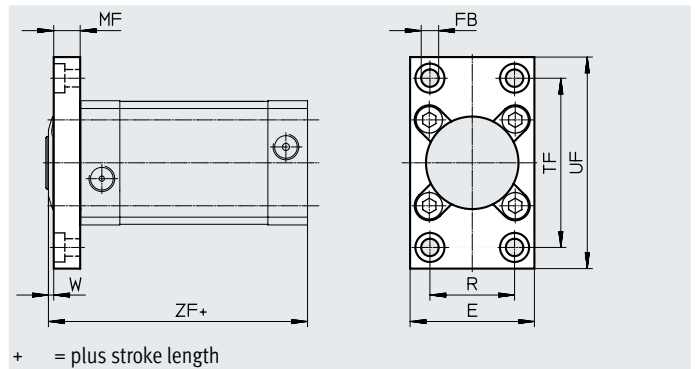
Ordering table								Enter code
Size	16	20	32	40	50	Conditions	Code	
Module no.	575166	575167	575168	575169	575170			
Function	Stopper cylinder						DFSP	DFSP
Protection against rotation	None							
	With protection against rotation						-Q	
Piston Ø [mm]	16	20	32	40	50		-...	
Stroke [mm]	10, 15	10, 15, 20	15, 20, 25	20, 25, 30	20, 25, 30		-...	
	5 ... 15	5 ... 20	5 ... 25	5 ... 30	5 ... 30			
Function	Double-acting with spring, pulling							
	Double-acting without spring						-D	
	Single-acting with spring, pulling						-P	
Piston rod variant	Standard						S	
	With female thread						F	
	With roller					[1]	R	
Cushioning	Elastic cushioning rings/pads at both ends						-P	P
Position sensing	Via proximity switch						A	A

[1] R Only with 10, 15, 20, 25, 30 mm stroke
 Only with protection against rotation Q

Accessories

Flange mounting DAMF-F7

Material:
Galvanised steel
RoHS-compliant



Dimensions and ordering data


For \varnothing [mm]	E	FB \varnothing	MF ± 0.2	R ± 0.1	TF ± 0.1	UF	W ± 0.9	ZF ± 0.5
16	29	5.5	8	17	43	55	2.5	57
20	35.5	5.5	8	22	56	70	2.5	61.5
32	47	6.6	10	32	64	80	3	71
40	54.5	6.6	10	36	72	90	3.5	76.5
50	65	9	12	45	90	110	3.5	77.5

For \varnothing [mm]	Screws ¹⁾ (4x)	Tightening torque [Nm]	Weight	Part no.	Type
16	DIN 912-M4x16-8.8	2.5	69	1405169	DAMF-F7-16
20	DIN 6912-M5x20-8.8	4.8	119	1405193	DAMF-F7-20
32	DIN 6912-M6x25-8.8	8	212	1405211	DAMF-F7-32
40	DIN 6912-M6x25-10.9	11	263	1405218	DAMF-F7-40
50	DIN 6912-M8x25-8.8	15	449	1405225	DAMF-F7-50

1) The screws are included in the scope of delivery of the flange mounting.

Accessories

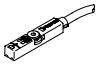
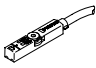
Ordering data – Centring sleeves

	For ø	Description	Part no.	Type	PU ¹⁾
	16, 20	For precise mounting on the piston rod with female thread	8146543	ZBH-5-B	10
	32		8137184	ZBH-9-B	
	40, 50		8137185	ZBH-12-B	
	16, 20, 32, 40	For precise mounting of the stopper cylinder on the end cap	8137184	ZBH-9-B	
	50		8137185	ZBH-12-B	

1) Packaging unit

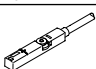
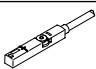
Ordering data – Proximity switch for T-slot, magneto-resistive

Datasheets → Internet: smt

	Type of mounting	Switching output	Electrical connection	Cable length [m]	Part no.	Type
N/O						
	Inserted in the slot from above, flush with the cylinder profile, short design	PNP	Cable, 3-core	2.5	574335	SMT-8M-A-PS-24V-E-2.5-OE
			Plug M8x1, 3-pin	0.3	574334	SMT-8M-A-PS-24V-E-0.3-M8D
			Plug M12x1, 3-pin	0.3	574337	SMT-8M-A-PS-24V-E-0.3-M12
		NPN	Cable, 3-core	2.5	574338	SMT-8M-A-NS-24V-E-2.5-OE
			Plug M8x1, 3-pin	0.3	574339	SMT-8M-A-NS-24V-E-0.3-M8D
N/C						
	Inserted in the slot from above, flush with the cylinder profile, short design	PNP	Cable, 3-core	7.5	574340	SMT-8M-A-PO-24V-E-7.5-OE


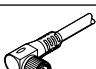
Ordering data – Proximity switch for T-slot, magnetic reed

Datasheets → Internet: sme


	Type of mounting	Switching output	Electrical connection	Cable length [m]	Part no.	Type
N/O						
	Inserted in the slot from above, flush with the cylinder profile	Contacting	Cable, 3-core	2.5	543862	SME-8M-DS-24V-K-2.5-OE
				5.0	543863	SME-8M-DS-24V-K-5.0-OE
			Cable, 2-core	2.5	543872	SME-8M-ZS-24V-K-2.5-OE
				Plug M8x1, 3-pin	0.3	543861
	Inserted in the slot lengthwise, flush with the cylinder profile	Contacting	Cable, 3-core	2.5	150855	SME-8-K-LED-24
			Plug M8x1, 3-pin	0.3	150857	SME-8-S-LED-24
N/C						
	Inserted in the slot lengthwise, flush with the cylinder profile	Contacting	Cable, 3-core	7.5	160 251	SME-8-O-K-LED-24

Ordering data – Connecting cables

Datasheets → Internet: nebu

	Electrical connection, left	Electrical connection, right	Cable length [m]	Part no.	Type
	Straight socket, M8x1, 3-pin	Cable, open end, 3-core	2.5	541333	NEBU-M8G3-K-2.5-LE3
			5	541334	NEBU-M8G3-K-5-LE3
	Angled socket, M8x1, 3-pin	Cable, open end, 3-core	2.5	541338	NEBU-M8W3-K-2.5-LE3
			5	541341	NEBU-M8W3-K-5-LE3

Ordering data – Slot cover for T-slot

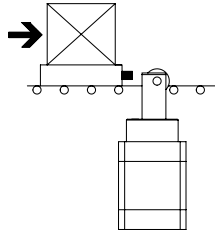
	Assembly	Length [m]	Part no.	Type
	Insertable	2x 0.5	151680	ABP-5-S

Datasheet

Selection aid

Stopping a pallet

The stopper cylinder is used to brake an individual pallet.



Example

Assuming:

Friction factor $\mu = 0.1$

Conveyor speed $v = 15 \text{ m/min}$

Pallet with workpiece $m = 40 \text{ kg}$

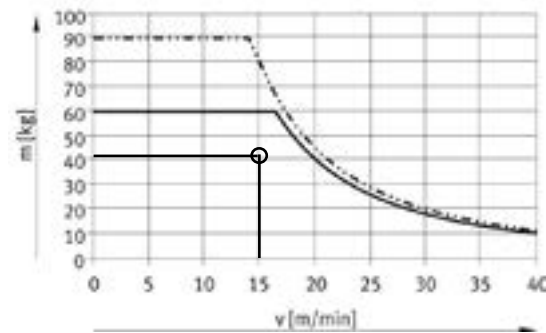
Operating pressure $p = 0.6 \text{ MPa (6 bar)}$

Spring travel of the pallet buffer $s_f = 1 \text{ mm}$

Selection: Stopper cylinder DFSP-Q-40-...-R

1. Checking the permissible load

The maximum permissible load at a conveyor speed of 15 m/min is 60 kg. This means that a total load of 40 kg for the pallet and the workpiece is permissible.



— DFSP-Q-40-R
 - - - DFSP-Q-50-R

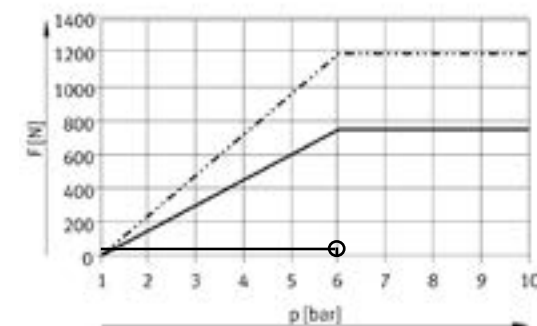
2. Checking the permissible lateral force during the switching operation

Lateral force $F_Q = \text{Friction force } F_{\text{friction}}$

$$\begin{aligned}
 F_{\text{friction}} &= \mu \times m \times g \\
 &= 0.1 \times 40 \text{ kg} \times 9.81 \text{ m/s}^2 \\
 &= \text{approx. } 40 \text{ N}
 \end{aligned}$$

The maximum permissible lateral force at an operating pressure of 6 bar is 750 N.

This means that the lateral force of 40 N is permissible.



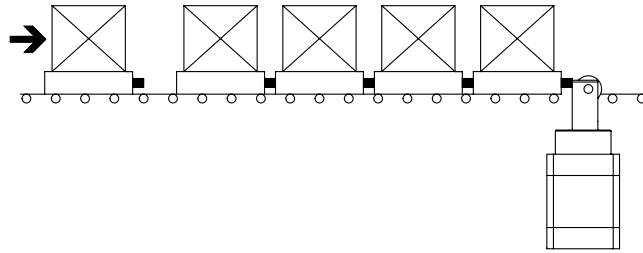
— DFSP-Q-40-R
 - - - DFSP-Q-50-R

Datasheet

Selection aid

Stopping or separating several pallets

The stopper cylinder is used to separate pallets. Further pallets collide with the pallets already resting against the stopper cylinder. It is therefore vital that a buffer is mounted between the pallets (e.g. elastomer components).



Example

Assuming:

Friction factor $\mu = 0.1$

Conveyor speed $v = 15 \text{ m/min}$

Pallet with workpiece $m = 40 \text{ kg}$

Operating pressure $p = 0.6 \text{ MPa}$ (6 bar)

Maximum number of pallets accumulating simultaneously $n_{\text{group}} = 1$

Maximum number of all queued pallets $n_{\text{queue}} = 5$

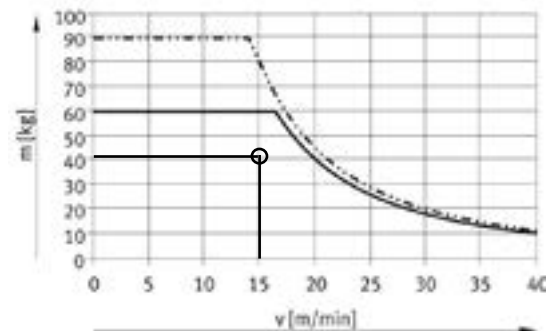
Maximum number of all advancing pallets $n_{\text{queue}} - 1 = 4$

Spring travel of the pallet buffer $s_F = 1 \text{ mm}$

Selection: Stopper cylinder DFSP-Q-40-...-R

1. Checking the permissible load of the first pallet

The maximum permissible load at a conveyor speed of 15 m/min is 60 kg. This means that a total load of 40 kg for the pallet and the workpiece is permissible.



— DFSP-Q-40-R

- - - - - DFSP-Q-50-R

2a. Calculation of the maximum permissible impact force when pallets collide with a pallet resting against the stopper cylinder

For DFSP-Q-40-...-R, the maximum permissible impact force is 4500 N.

This means that with a total force of 2700 N, the number of pallets is permissible.

Impact force calculation:

$$F_{\text{Stoß}} = \frac{(n_{\text{Gruppe}} \cdot m) \cdot v^2}{s_F} = \frac{(1 \cdot 40 \text{ kg}) \cdot \left(15 \frac{\text{m}}{60 \text{ s}}\right)^2}{0,001 \text{ m}} = \text{ca. } 2500 \text{ N}$$

Friction force:

$$F_{\text{Reib}} = \mu \cdot (n_{\text{Ansteh}} \cdot m) \cdot g = 0,1 \cdot (5 \cdot 40 \text{ kg}) \cdot 9,81 \frac{\text{m}}{\text{s}^2} = \text{ca. } 200 \text{ N}$$

Max. total force:

$$F_{\text{ges}} = F_{\text{Stoß}} + F_{\text{Reib}} = 2500 \text{ N} + 200 \text{ N} = 2700 \text{ N}$$

Datasheet

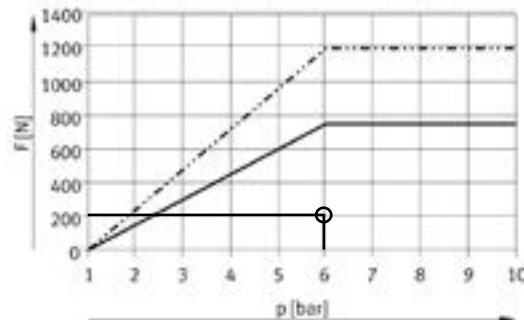
Selection aid

2b. Checking the permissible lateral force during the switching operation

Lateral force $F_Q = \text{Friction force } F_{\text{friction}}$
 $F_{\text{friction}} = 200 \text{ N}$

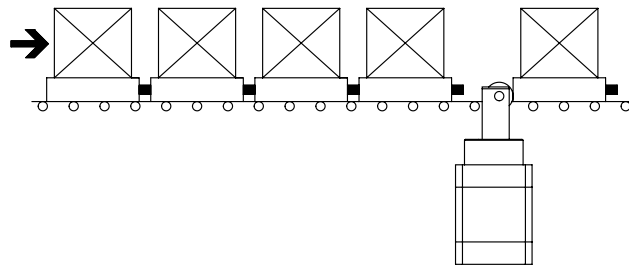
The maximum permissible lateral force at an operating pressure of 6 bar is 750 N.

This means that the lateral force of 200 N is permissible.



— DFSP-Q-40-R
 - - - DFSP-Q-50-R

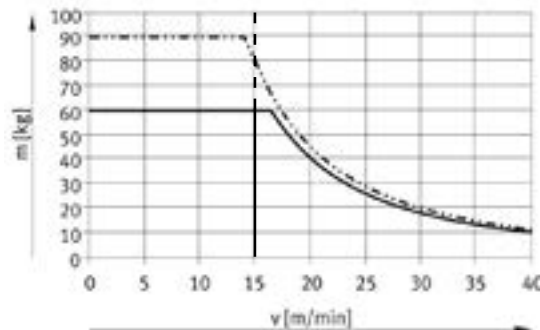
3. Separating and advancing the pallets



For the DFSP-Q-40-...-R, the maximum permissible load at a conveyor speed of 15 m/min is 60 kg.

The total load of the 4 pallets advancing on the stopper cylinder is 160 kg.

The next largest stopper cylinder is therefore not permissible for this application as a max. of 80 kg at a speed of 15 m/min is permissible here.



— DFSP-Q-40-R
 - - - DFSP-Q-50-R

Max. total load:

$$m_{\text{total}} = n_{\text{queue}-1} \times m = 4 \times 40 \text{ kg} = 160 \text{ kg}$$

Results

When using the stopper cylinder DFSP-Q-50-...-R, max. 2 advancing pallets may accumulate simultaneously.

Max. total load:

$$m_{\text{total}} = n_{\text{queue}-1} \times m = 2 \times 40 \text{ kg} = 80 \text{ kg}$$