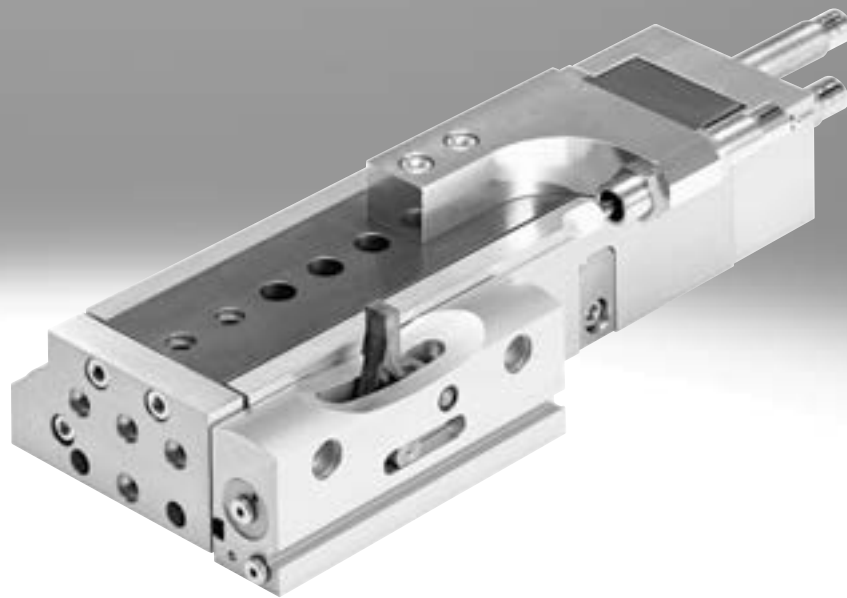


Intermediate-position module DADM-EP

FESTO



Key features

At a glance

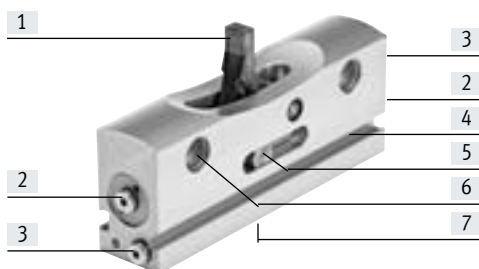
When used in combination with pneumatic drives, the intermediate-position module enables an additional position to be set within the stroke range. The module is attached separately, directly next to the mini slide. A shock absorber retain-er must be attached to the movable part of the drive (e.g. the slide) so that, when advancing, the shock absorber impacts on the stop lever of the intermediate-position module. The position can be precisely set with the help of the shock absorber.


Key features:

- Can be travelled through from the end position
- Possible to continue on directly from the intermediate position
- The symmetrical design means that the intermediate position can be approached when advancing or retracting, depending on the assembly
- Pneumatic connection possible from two ends
- Easy to assemble
- Position of the stop lever (swivelled in- or outwards) can be checked using the proximity switch

The technology in detail

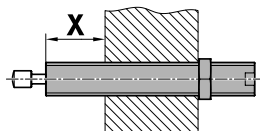
- [1] Stop lever
- [2] Pneumatic connections for swivel-
ing the stop lever inwards
- [3] Pneumatic connections for swivel-
ing the stop lever outwards
- [4] Slot for proximity switch
- [5] Guide shoe
- [6] Mounting interface on the side
(2x)
- [7] Mounting interface underneath
(2x)



 **Note**
In the unpressurised state, the guide shoe can be used as a manual override for pivoting the stop lever.

Precision adjustment of the intermediate position

The position can be precisely adjusted via the screw-in depth of the shock absorber. The shock absorber must protrude by at least $X = 1.5 \text{ mm}$.

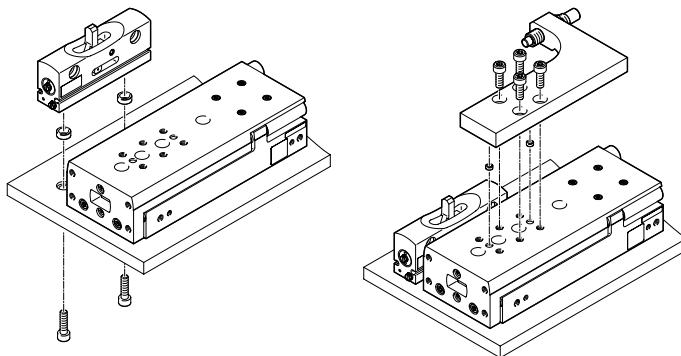


Datasheet

Assembly using the mini slide DGST as an example

The intermediate-position module is mounted directly next to the mini slide, using 2 screws and centring sleeves.

The shock absorber retainer is then attached to the slide of the mini slide using 4 screws and 2 centring sleeves.



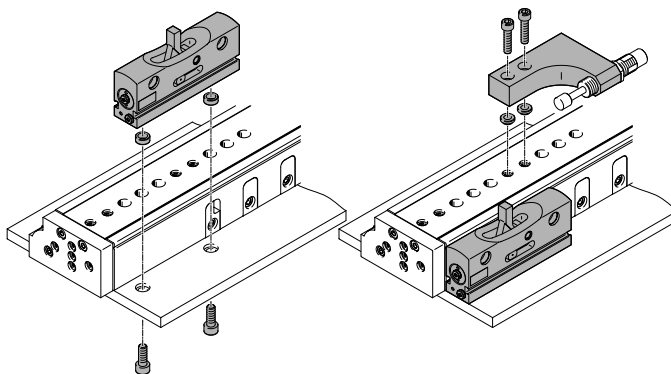
Allocation table for mini slide DGSL and intermediate-position module DADM-EP/shock absorber retainer DADP-ES

Mini slide	Intermediate-position module	Shock absorber retainer
DGST-12	DADM-EP-G6-10	DADP-ES-G8-12
DGST-16		DADP-ES-G8-16
DGST-20	DADM-EP-G6-16	DADP-ES-G8-20
DGST-25		DADP-ES-G8-25

Assembly using the mini slide DGSL as an example

The intermediate-position module is mounted directly next to the mini slide, using 2 screws and centring sleeves.

The shock absorber retainer is then attached to the slide of the mini slide, likewise using 2 screws and centring sleeves.



Allocation table for mini slide DGSL and intermediate-position module DADM-EP/shock absorber retainer DADP-ES

Mini slide	Intermediate-position module	Shock absorber retainer
DGSL-12	DADM-EP-G6-10	DADP-ES-G6-12
DGSL-16		DADP-ES-G6-16
DGSL-20	DADM-EP-G6-16	DADP-ES-G6-20
DGSL-25		DADP-ES-G6-25

Datasheet

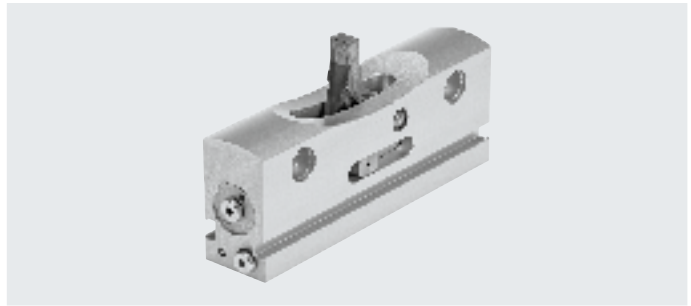
Intermediate-position module DADM-EP

Material:

Housing: Wrought aluminium alloy

Lever: High-alloy stainless steel

RoHS-compliant



General technical data		
Type	DADM-EP-G6-10	DADM-EP-G6-16
Design	Force-guided motion sequence	
Pneumatic connection	M3	M5
Max. stop force	[N] 500	1100
Max. impact velocity	[m/s] 0.8	0.8
Max. swivel time	[ms] 150	
Repetition accuracy	[mm] ±0.02	
Mounting position	Any	
Position sensing	For proximity switch	
Product weight	[g] 154	340

Operating and environmental conditions		
Operating pressure	[bar] 3 ... 6	
Operating medium	Compressed air to ISO 8573-1:2010 [7:-:-]	
Note on the operating/pilot medium	Lubricated operation possible (in which case lubricated operation will always be required)	
Ambient temperature	[°C] 0 ... +60	
Corrosion resistance class CRC ¹⁾	1	

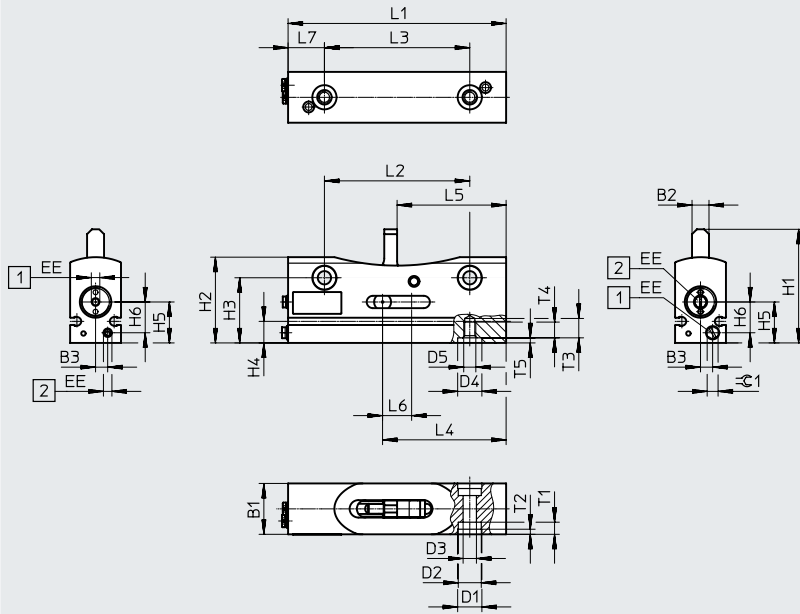
1) Corrosion resistance class CRC 1 to Festo standard FN 940070

Low corrosion stress. Dry internal application or transport and storage protection. Also applies to parts behind covers, in the non-visible interior area, or parts which are covered in the application (e.g. drive trunnions).

Datasheet

Dimensions and ordering data

Download CAD data → www.festo.com



Note
 Push-in fittings are not included in the scope of delivery.
 [1] Pivot in stop lever
 [2] Swivel stop lever outwards
 The stop lever positions can be sensed using proximity switches:
 With DADM-EP-G6-10: SME/SMT-10
 With DADM-EP-G6-16: SME/SMT-8

Type	B1	B2	B3 ±0.1	D1 ∅ H7	D2 ∅	D3 ∅	D4 ∅ H7	D5	EE	H1	H2
DADM-EP-G6-10	21	7	5	10	9.5	5.5	10	M5	M3	46.9	35.4
DADM-EP-G6-16	26.5	9	5.5	12	11	6.6	12	M6	M5	65.2	47.4

Type	H3 ±0.1	H4	H5 ±0.1	H6 ±0.1	L1	L2 ±0.1	L3 ±0.1	L4	L5	L6	L7
DADM-EP-G6-10	26.9	8.9	16.9	12.7	90	60	60	51	45	12	15
DADM-EP-G6-16	36.4	12.4	23.4	17	120	80	80	68	60	16	20

Type	T1	T2 +0.2	T3	T4	T5 +0.1	⌀G1	Part no.	Type
DADM-EP-G6-10	5	2.1	8	6.5	2.1	4.5	1492072	DADM-EP-G6-10
DADM-EP-G6-16	6.8	2.1	10	8	2.1	2.5	1478121	DADM-EP-G6-16

Ordering data

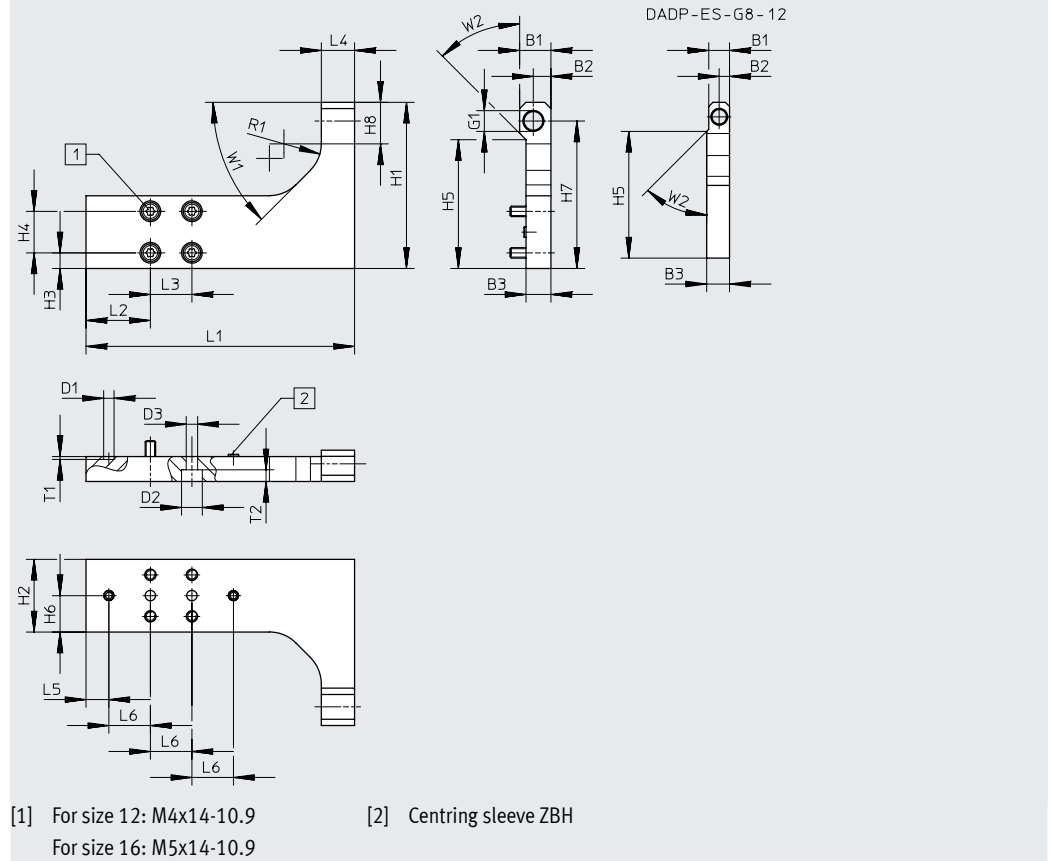
	For size	Description	Part no.	Type	PU ¹⁾
Connector sleeve ZBV Datasheets → Internet: zbv					
	12, 16	For centring the intermediate-position module (2 pieces included in the scope of delivery for the intermediate-position module)	560254	ZBV-10-9	10
Centring sleeve ZBH Datasheets → Internet: zbh					
	20, 25	For centring the intermediate-position module (2 pieces included in the scope of delivery for the intermediate-position module)	189653	ZBH-12	10

1) Packaging unit

Accessories

**Shock absorber retainer
DADP-ES
for mini slide DGST**

Material:
Anodised wrought aluminium alloy
RoHS-compliant



[1] For size 12: M4x14-10.9
For size 16: M5x14-10.9
[2] Centring sleeve ZBH

Dimensions and ordering data																		
Type	B1	B2	B3	D1 ∅	D2 ∅	D3 ∅	G1	H1	H2	H3	H4	H5	H6	H7	H8	L1	L2	L3
DADP-ES-G8-12	10	5	11	5	8	4.5	M8x1	75	35	7.5	20	61	17.5	68	15	119.9	25	20
DADP-ES-G8-16	15.1	8.1	12	5	10	5.5	M10x1	80	35	7.5	20	62	17.5	71	20	129.4	31	20

Type	L4	L5	L6	R1	T1	T2	W1	W2	Max. stop force [N]	Weight [g]	Part no.	Type
DADP-ES-G8-12	16	5	20	15	1.35	4.4	45°	45°	500	149	8159234	DADP-ES-G8-12
DADP-ES-G8-16	16	11	20	18	1.35	5.6	45°	45°	500	182	8159235	DADP-ES-G8-16

Ordering data					
	For size	Description	Part no.	Type	PU ¹⁾
Centring sleeve ZBH					
Datasheets → Internet: zbh					
	12, 16	For centring the shock absorber retainer (2 pieces included in the scope of delivery of the shock absorber retainer)	8146544	ZBH-7-B	10

1) Packaging unit

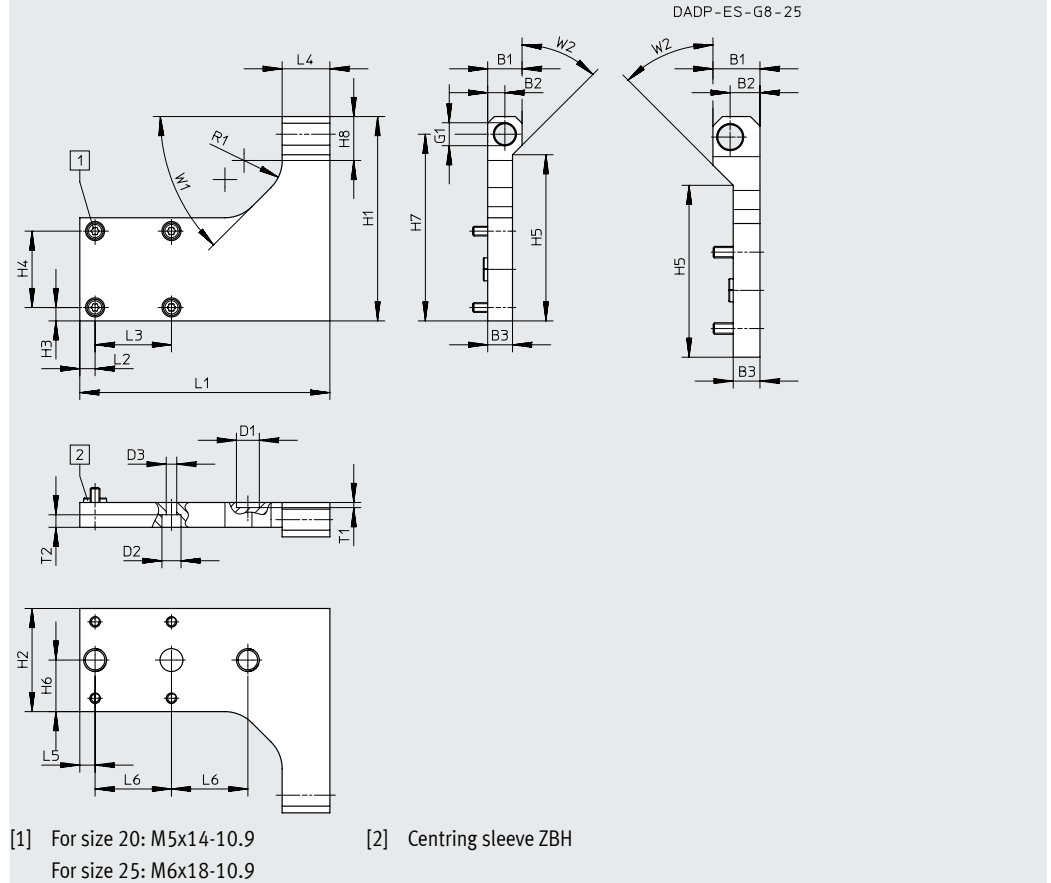
Note

- A shock absorber retainer DADP-ES is additionally required when using an intermediate-position module
- Operation without cushioning components is not permitted
- Cushioning components are not included in the scope of delivery
- The size of the shock absorbers for the mini slides and for the relevant shock absorber retainer are identical. Shock absorber selection → page 9
- The same cushioning component is used for cushioning the intermediate position as for the end positions of the mini slide DGST

Accessories

**Shock absorber retainer
DADP-ES
for mini slide DGST**

Material:
Anodised wrought aluminium alloy
RoHS-compliant



Dimensions and ordering data

Type	B1	B2	B3	D1 ∅	D2 ∅	D3 ∅	G1	H1	H2	H3	H4	H5	H6	H7	H8	L1	L2	L3
DADP-ES-G8-20	18	8	13	12	10	5.5	M12x1	107	54	7	40	87	27	97.8	23	131	8	40
DADP-ES-G8-25	24.6	15.6	14	12	11	6.6	M14x1	126	70	15	40	90	35	115.3	21	150.5	10.5	40

Type	L4	L5	L6	R1	T1	T2	W1	W2	Max. stop force [N]	Weight [g]	Part no.	Type
DADP-ES-G8-20	25	8	40	20	±0.05 2.65	6.6	45°	45°	1100	305	8159236	DADP-ES-G8-20
DADP-ES-G8-25	32	10.5	40	25	±0.05 2.65	6.4	45°	45°	1100	503	8159237	DADP-ES-G8-25

Ordering data

For size	Description	Part no.	Type	PU ¹⁾
20, 25	For centring the shock absorber retainer (2 pieces included in the scope of delivery of the shock absorber retainer)	548806	ZBV-12-9	10

Datasheets → Internet: zbv

1) Packaging unit

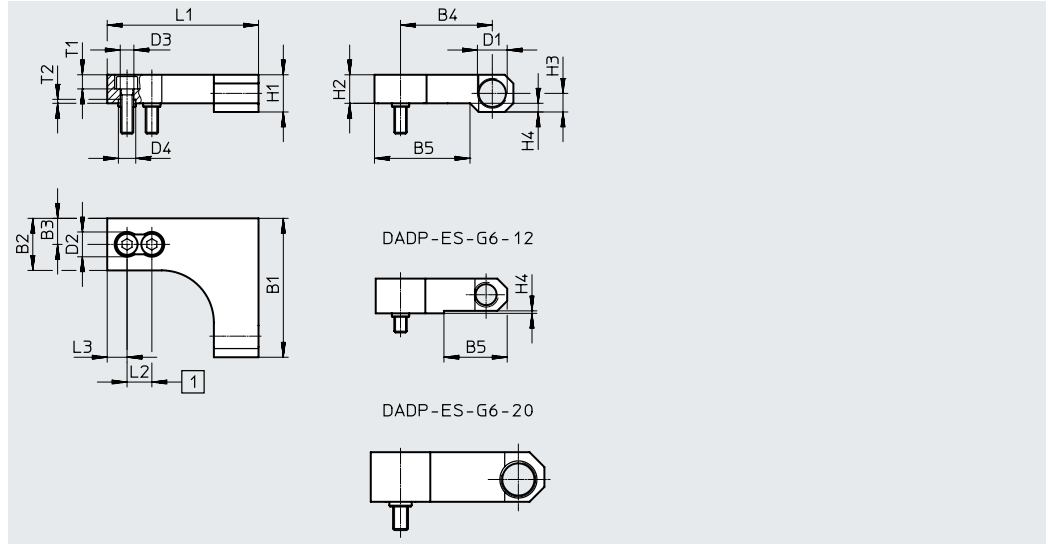
Note

- A shock absorber retainer DADP-ES is additionally required when using an intermediate-position module
- Operation without cushioning components is not permitted
- Cushioning components are not included in the scope of delivery
- The size of the shock absorbers for the mini slides and for the relevant shock absorber retainer are identical.
Shock absorber selection → page 9
- The same cushioning component is used for cushioning the intermediate position as for the end positions of the mini slide DGST

Accessories

**Shock absorber retainer
DADP-ES
for mini slide DGSL**

Material:
Anodised wrought aluminium alloy
RoHS-compliant





Dimensions and ordering data

Type	B1	B2	B3	B4	B5	D1	D2 ∅	D3 ∅	D4 ∅ H7	H1	H2	H3	H4
DADP-ES-G6-12	53	20	10	34.5	25.5	M10x1	10	5.5	7	13	14	6.5	1
DADP-ES-G6-16	56	21	10.5	37	39.2	M12x1	10	5.5	7	15	12.2	7.5	2.8
DADP-ES-G6-20	70	24	12	47.5	-	M14x1	11	6.6	12	20	20	9	-
DADP-ES-G6-25	80	30	15	54.5	58	M16x1	11	6.6	12	25	14	10	11

Type	L1	L2	L3	T1	T2	Max. stop force [N]	Weight [g]	Part no.	Type
DADP-ES-G6-12	65	10	10	5.7	1.6	500	80	1812471	DADP-ES-G6-12
DADP-ES-G6-16	61	10	8	5.7	1.6	500	70	1812472	DADP-ES-G6-16
DADP-ES-G6-20	85	20	10	6.4	2.6	1100	185	1812473	DADP-ES-G6-20
DADP-ES-G6-25	80	20	10	6.8	2.6	1100	160	1812550	DADP-ES-G6-25

Ordering data

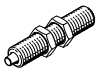

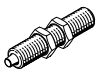

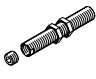
	For size	Description	Part no.	Type	PU ¹⁾
Centring sleeve ZBH Datasheets → Internet: zbh					
	12, 16	For centring the shock absorber retainer (2 pieces included in the scope of delivery of the shock absorber retainer)	8146544	ZBH-7-B	10
Connector sleeve ZBV Datasheets → Internet: zbv					
	20, 25	For centring the shock absorber retainer (2 pieces included in the scope of delivery of the shock absorber retainer)	548806	ZBV-12-9	10

1) Packaging unit

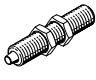

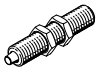

Note

- A shock absorber retainer DADP-ES is additionally required when using an intermediate-position module
- Operation without cushioning components is not permitted
- Cushioning components are not included in the scope of delivery
- The size of the shock absorbers for the mini slides and for the relevant shock absorber retainer are identical.
Shock absorber selection → page 9
- The same cushioning component is used for cushioning the intermediate position as for the end positions of the mini slide DGSL

Accessories

Ordering data for DGSL							
	For size	For shock absorber retainer	Description	Order code	Part no.	Type	PJ ¹⁾
Shock absorber DYEF-...-Y1 Datasheets → Internet: dyef							
	DGSL-12	DADP-ES-G6-12	Elastic cushioning, without metal stop	P	1179837	DYEF-M10-Y1	1
	DGSL-16	DADP-ES-G6-16			1179840	DYEF-M12-Y1	
	DGSL-20	DADP-ES-G6-20			1179863	DYEF-M14-Y1	
	DGSL-25	DADP-ES-G6-25			1179879	DYEF-M16-Y1	
Shock absorber DYEF-S-...-Y1 Datasheets → Internet: dyef							
	DGSL-12	DADP-ES-G6-12	Elastic cushioning, without metal stop, short design	E	1152959	DYEF-S-M10-Y1	1
	DGSL-16	DADP-ES-G6-16			1153004	DYEF-S-M12-Y1	
	DGSL-20	DADP-ES-G6-20			1153017	DYEF-S-M14-Y1	
	DGSL-25	DADP-ES-G6-25			1153023	DYEF-S-M16-Y1	
Shock absorber DYEF-...-Y1F Datasheets → Internet: dyef							
	DGSL-12	DADP-ES-G6-12	Elastic cushioning, with metal stop	P1	548374	DYEF-M10-Y1F	1
	DGSL-16	DADP-ES-G6-16			548375	DYEF-M12-Y1F	
	DGSL-20	DADP-ES-G6-20			548376	DYEF-M14-Y1F	
	DGSL-25	DADP-ES-G6-25			548377	DYEF-M16-Y1F	
Shock absorber DYSW Datasheets → Internet: dysw							
	DGSL-12	DADP-ES-G6-12	Progressive shock absorber at both ends	Y3	548072	DYSW-7-10-Y1F	1
	DGSL-16	DADP-ES-G6-16			548073	DYSW-8-14-Y1F	
	DGSL-20	DADP-ES-G6-20			548074	DYSW-10-17-Y1F	
	DGSL-25	DADP-ES-G6-25			548075	DYSW-12-20-Y1F	
Reducing sleeve DAYH							
	DGSL-12	DADP-ES-G6-12	For DYSW-5-8	-	1165480	DAYH-5	1
	DGSL-16	DADP-ES-G6-16	For DYSW-7-10		1165484	DAYH-7	
	DGSL-20	DADP-ES-G6-20	For DYSW-8-14		1165488	DAYH-8	
	DGSL-25	DADP-ES-G6-25	For DYSW-10-17		1165491	DAYH-10	

1) Packaging unit

Ordering data for DGST							
	For size	For shock absorber retainer	Description	Order code	Part no.	Type	PJ ¹⁾
Shock absorber DYEF-...-Y1 Datasheets → Internet: dyef							
	DGST-12	DADP-ES-G8-12	Elastic cushioning, without metal stop	P	1179834	DYEF-M8-Y1	1
	DGST-16	DADP-ES-G8-16			1179837	DYEF-M10-Y1	
	DGST-20	DADP-ES-G8-20			1179840	DYEF-M12-Y1	
	DGST-25	DADP-ES-G8-25			1179863	DYEF-M14-Y1	
Shock absorber DYEF-S-...-Y1 Datasheets → Internet: dyef							
	DGST-12	DADP-ES-G8-12	Elastic cushioning, without metal stop, short design	E	1152536	DYEF-S-M8-Y1	1
	DGST-16	DADP-ES-G8-16			1152959	DYEF-S-M10-Y1	
	DGST-20	DADP-ES-G8-20			1153004	DYEF-S-M12-Y1	
	DGST-25	DADP-ES-G8-25			1153017	DYEF-S-M14-Y1	
Shock absorber DYEF-...-Y1F Datasheets → Internet: dyef							
	DGST-12	DADP-ES-G8-12	Elastic cushioning, with metal stop	P1	548373	DYEF-M8-Y1F	1
	DGST-16	DADP-ES-G8-16			548374	DYEF-M10-Y1F	
Shock absorber DYSS Datasheets → Internet: dyss							
	DGST-12	DADP-ES-G8-12	Progressive shock absorber at both ends	Y12	8081770	DYSS-5-5-Y1F	1
	DGST-16	DADP-ES-G8-16			8069001	DYSS-7-5-Y1F	
	DGST-20	DADP-ES-G8-20			8069002	DYSS-8-8-Y1F	
	DGST-25	DADP-ES-G8-25			8069003	DYSS-10-10-Y1F	

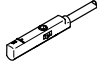
1) Packaging unit

Accessories

Proximity switch for DADM-EP-G6-10

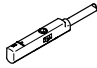
Ordering data – Proximity switches for C-slot, magneto-resistive

Datasheets → Internet: smt

	Type of mounting	Switching output	Electrical connection, outlet direction of connection	Cable length [m]	Part no.	Type
N/O						
	Inserted in the slot from above	PNP	Cable, 3-wire, lengthwise	2.5	551373	SMT-10M-PS-24V-E-2.5-L-OE
			Plug M8x1, 3-pin, in-line	0.3	551375	SMT-10M-PS-24V-E-0.3-L-M8D
			Plug M8x1, 3-pin, crosswise	0.3	551376	SMT-10M-PS-24V-E-0.3-Q-M8D

Ordering data – Proximity switch for C-slot, magnetic reed

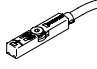
Datasheets → Internet: sme

	Type of mounting	Switching output	Electrical connection, outlet direction of connection	Cable length [m]	Part no.	Type
N/O						
	Inserted in the slot from above	Contacting	Plug M8x1, 3-pin, in-line	0.3	551367	SME-10M-DS-24V-E-0.3-L-M8D
			Cable, 3-wire, lengthwise	2.5	551365	SME-10M-DS-24V-E-2.5-L-OE
			Cable, 2-wire, lengthwise	2.5	551369	SME-10M-ZS-24V-E-2.5-L-OE

Proximity switch for DADM-EP-G6-16

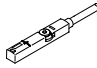
Ordering data – Proximity switch for T-slot, magneto-resistive

Datasheets → Internet: smt

	Type of mounting	Switching output	Electrical connection	Cable length [m]	Part no.	Type
N/O						
	Inserted in the slot from above, flush with the cylinder profile, short design	PNP	Cable, 3-wire	2.5	574335	SMT-8M-A-PS-24V-E-2.5-OE
			Plug M8x1, 3-pin	0.3	574334	SMT-8M-A-PS-24V-E-0.3-M8D
			Plug M12x1, 3-pin	0.3	574337	SMT-8M-A-PS-24V-E-0.3-M12
		NPN	Cable, 3-wire	2.5	574338	SMT-8M-A-NS-24V-E-2.5-OE
			Plug M8x1, 3-pin	0.3	574339	SMT-8M-A-NS-24V-E-0.3-M8D

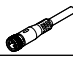

Ordering data – Proximity switch for T-slot, magnetic reed

Datasheets → Internet: sme

	Type of mounting	Switching output	Electrical connection	Cable length [m]	Part no.	Type
N/O						
	Inserted in the slot from above, flush with the cylinder profile	Contacting	Cable, 3-wire	2.5	543862	SME-8M-DS-24V-K-2.5-OE
				5.0	543863	SME-8M-DS-24V-K-5.0-OE
			Cable, 2-wire	2.5	543872	SME-8M-ZS-24V-K-2.5-OE
			Plug M8x1, 3-pin	0.3	543861	SME-8M-DS-24V-K-0.3-M8D

Ordering data – Connecting cables

Datasheets → Internet: nebu

	Electrical connection, left	Electrical connection, right	Cable length [m]	Part no.	Type
	Straight socket, M8x1, 3-pin	Cable, open end, 3-wire	2.5	541333	NEBU-M8G3-K-2.5-LE3
			5	541334	NEBU-M8G3-K-5-LE3
	Angled socket, M8x1, 3-pin	Cable, open end, 3-wire	2.5	541338	NEBU-M8W3-K-2.5-LE3
			5	541341	NEBU-M8W3-K-5-LE3