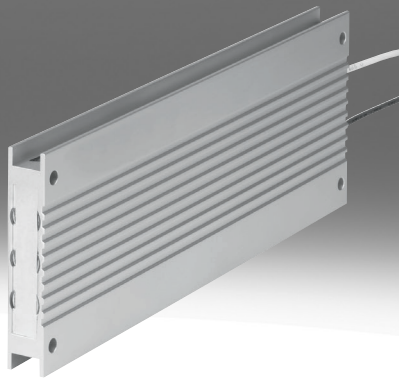


## Braking resistor CACR

**FESTO**



Type code

001	Series
<b>CACR</b>	Resistance
002	Connection technology 1
<b>LE</b>	Open end
<b>KL</b>	Terminal
003	Number of pins/wires on the left
<b>2</b>	2

004	Resistance value
<b>6</b>	6 Ohm
<b>33</b>	33 Ohm
<b>40</b>	40 Ohm
<b>50</b>	50 Ohm
<b>67</b>	67 Ohm
<b>72</b>	72 Ohm
<b>100</b>	100 Ohm
<b>240</b>	240 Ohm

005	Nominal power
<b>W60</b>	60 Watt
<b>W500</b>	500 Watt
<b>W1800</b>	1800 Watt
<b>W2000</b>	2000 Watt
<b>W2400</b>	2400 Watt

## Datasheet

General technical data									
Resistance value	6 Ohm	33 Ohm	40 Ohm	50 Ohm	67 Ohm	72 Ohm	100 Ohm	240 Ohm	
Performance at 35% duty cycle and 20°C	180 W	3,600 W	2,000 W	500 W	1,800 W	500 W	1,800 W	500 W	1,800 W
Brake resistance rating	60 W	1,440 W	800 W	200 W	720 W	200 W	720 W	200 W	720 W
Pulse energy for braking resistor at 380 V	2,000	21,600	8,000	2,000	10,800	2,000	10,800	2,000	10,800
Nominal power braking resistor at 380 V	60	1,440	600	150	720	150	720	150	720
Pulse energy for braking resistor at 780 V	2,000	21,600	7,200	1,800	10,800	1,800	10,800	1,800	10,800
Nominal power braking resistor at 780 V	60	1,440	480	120	720	120	720	120	720
Mounting position	Free convection, Vertical								
Type of mounting	With through-hole	Either: With through-hole With accessories							
Product weight	150 g	8,000 g	2,400 g	550 g	4,000 g	550 g	3,400 g	550 g	3,400 g

Operating and environmental conditions									
Resistance value	6	33	40	50	67	72	100	240	
Ambient temperature	-40 ... 40°C		0 ... 50°C						
Degree of protection	IP54		IP65						
Approval	c UL us - Recognized (OL)		c CSA us (OL) c UL us - Recognized (OL)						
Corrosion resistance class CRC	0 - No corrosion stress								
Note on materials	RoHS-compliant								
LABS (PWS) conformity	VDMA24364 zone III								

## Matching braking resistor with servo drive

CMMT-AS-C2-3A: CACR-LE2-100-W500; CACR-KL2-100-W1800  
 CMMT-AS-C4-3A: CACR-LE2-72-W500; CACR-LE2-100-W500; CACR-KL2-67-W1800; CACR-KL2-100-W1800  
 CMMT-AS-C2-11A: CACR-LE2-240-W500; CACR-KL2-240-W1800  
 CMMT-AS-C3-11A: CACR-LE2-240-W500; CACR-KL2-240-W1800  
 CMMT-AS-C5-11A: CACR-LE2-100-W500; CACR-KL2-100-W1800  
 CMMT-AS-C7-11A: CACR-LE2-72-W500; CACR-LE2-100-W500; CACR-KL2-67-W1800; CACR-KL2-100-W1800  
 CMMT-AS-C12-11A: CACR-LE2-50-W500; CACR-KL2-40-W2000

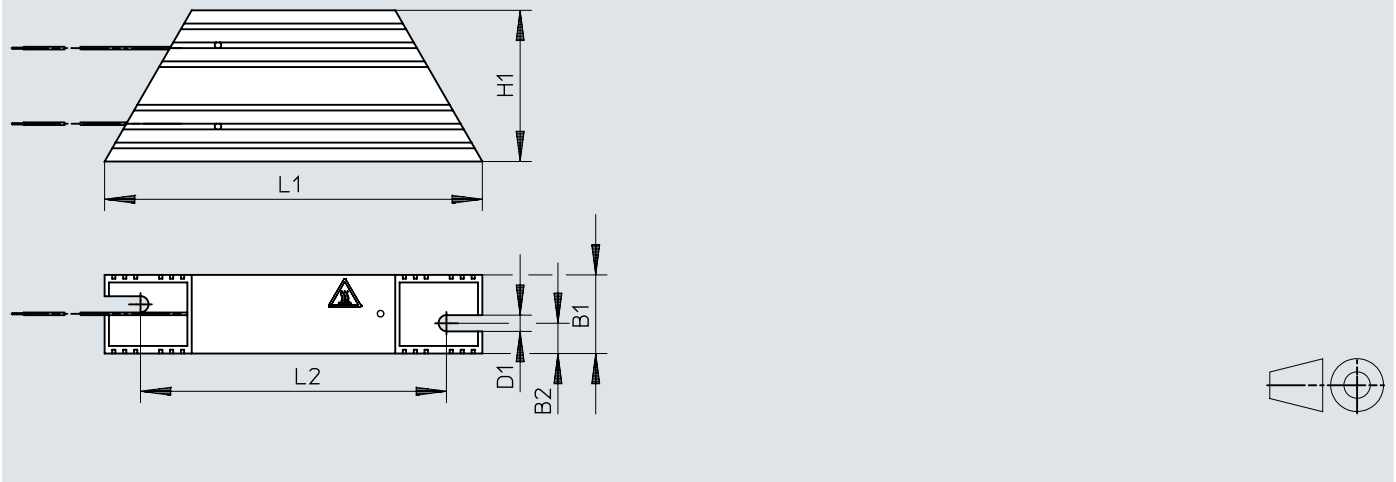
## Matching braking resistor with motor controller

CMMP-AS-C2-3A-M0: CACR-LE2-50-W500; CACR-LE2-72-W500  
 CMMP-AS-C5-3A-M0: CACR-LE2-50-W500; CACR-LE2-72-W500  
 CMMP-AS-C5-11A-P3-M0: CACR-KL2-67-W1800; CACR-KL2-40-W2000  
 CMMP-AS-C10-11A-P3-M0: CACR-KL2-67-W1800; CACR-KL2-40-W2000  
 CMMP-AS-C2-3A-M3: CACR-LE2-50-W500; CACR-LE2-72-W500  
 CMMP-AS-C5-3A-M3: CACR-LE2-50-W500; CACR-LE2-72-W500  
 CMMP-AS-C5-11A-P3-M3: CACR-KL2-67-W1800; CACR-KL2-40-W2000  
 CMMP-AS-C10-11A-P3-M3: CACR-KL2-67-W1800; CACR-KL2-40-W2000  
 CMMP-AS-C20-11A-P3: CACR-KL2-33-W2400

## Dimensions

Dimensions – CACR-LE2-...-W60-V

Download CAD data → [www.festo.com](http://www.festo.com)

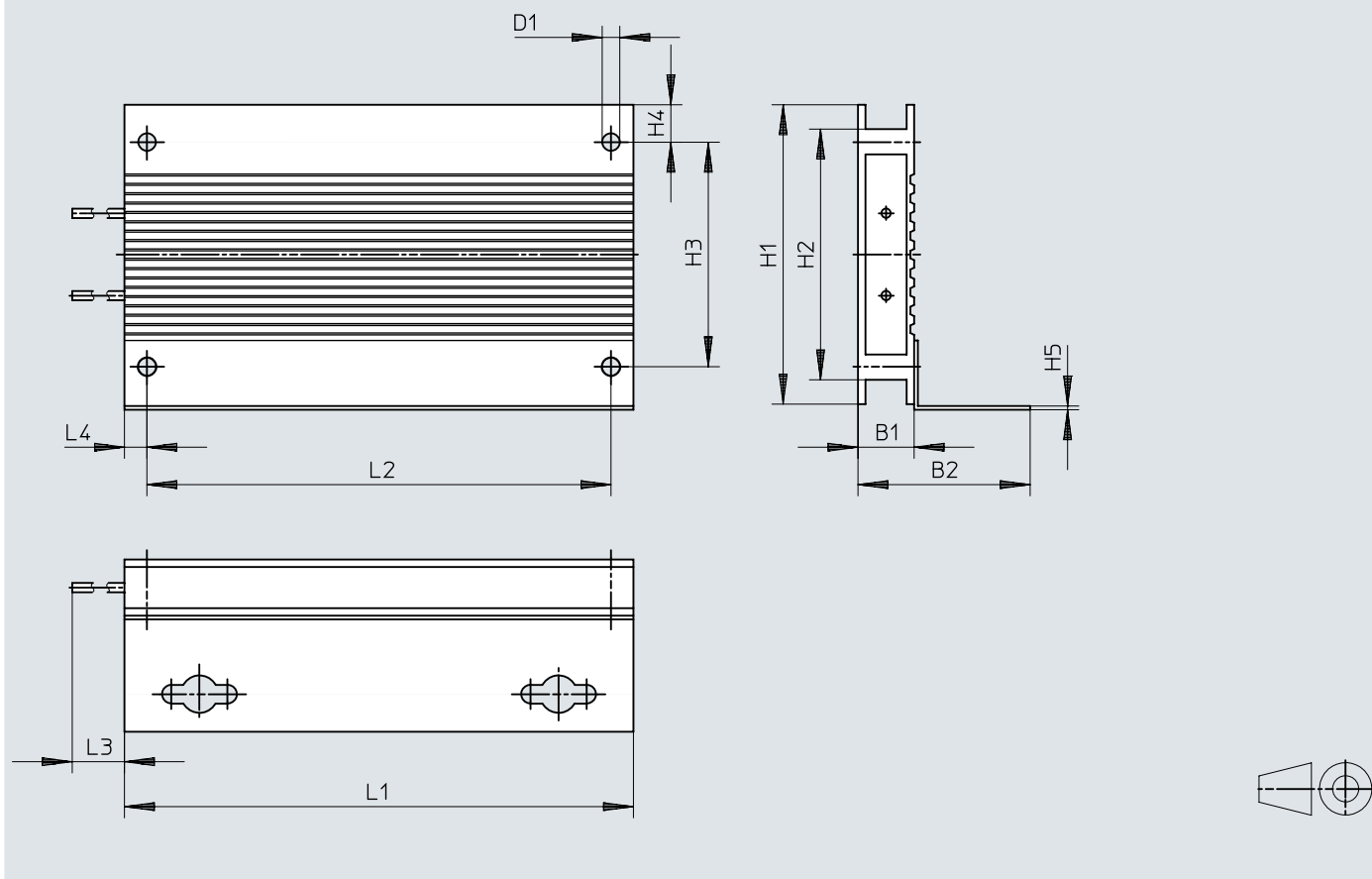


	B1	B2	D1	H1	L1	L2
	±1,2	±0,2	∅ ±1	±1	±2	±3
CACR-LE2-6-W60-V	29	22	4	49	20	25,6

## Dimensions

Dimensions – CACR-LE2-...-W500

Download CAD data → [www.festo.com](http://www.festo.com)

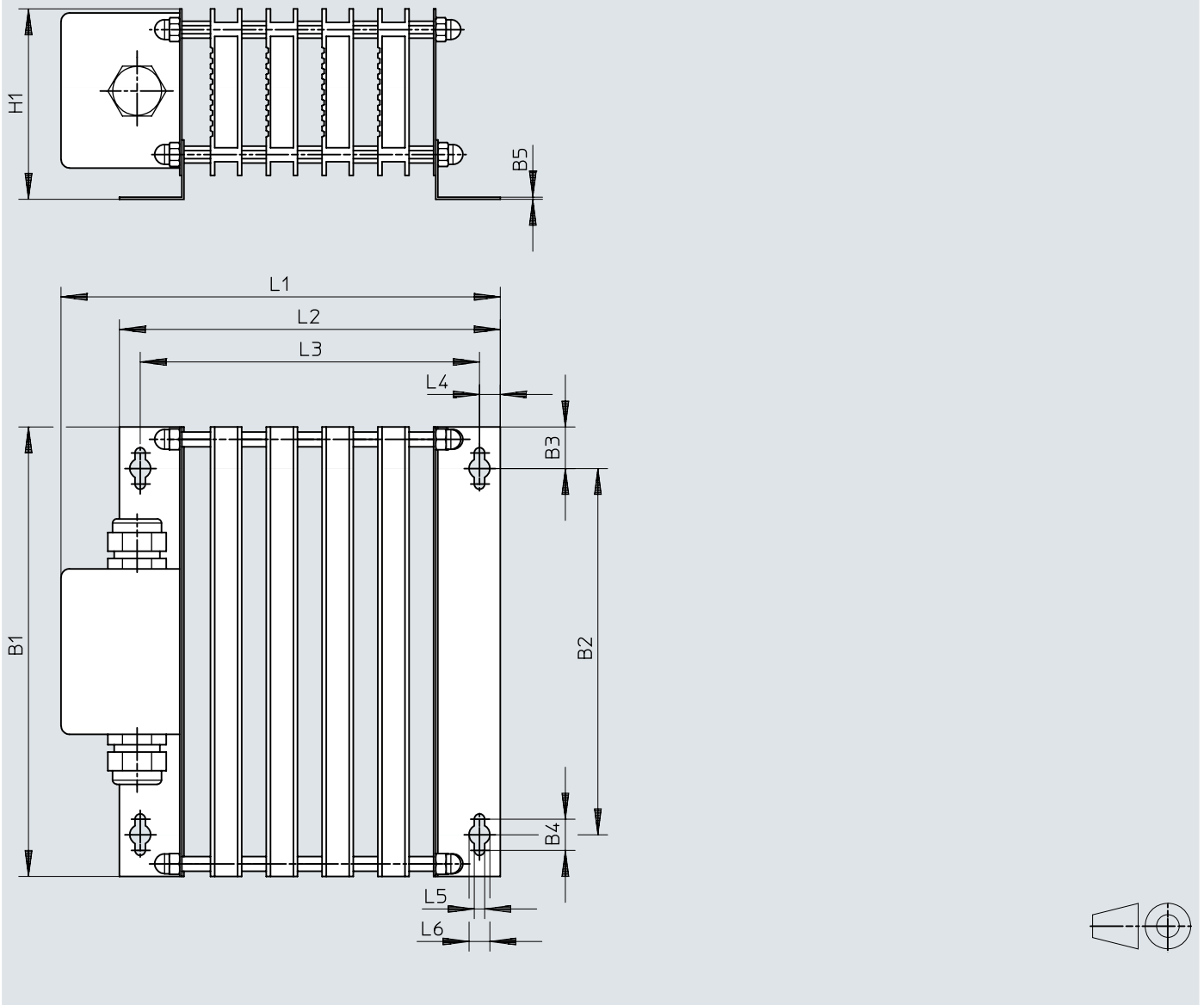


	B1	B2	D1 ∅	H1	H2	H3	H4	H5	L1	L2	L3	L4
	±0,5		±0,1		±0,3	±0,2				±0,2	±40	
CACR-LE2-50-W500	15	46	4,7	80	67	60	10	1	216	204	510	6
CACR-LE2-72-W500												
CACR-LE2-100-W500												
CACR-LE2-240-W500												

## Dimensions

Dimensions – CACR-KL2-...-W1800, CACR-KL2-40-W2000

Download CAD data → [www.festo.com](http://www.festo.com)

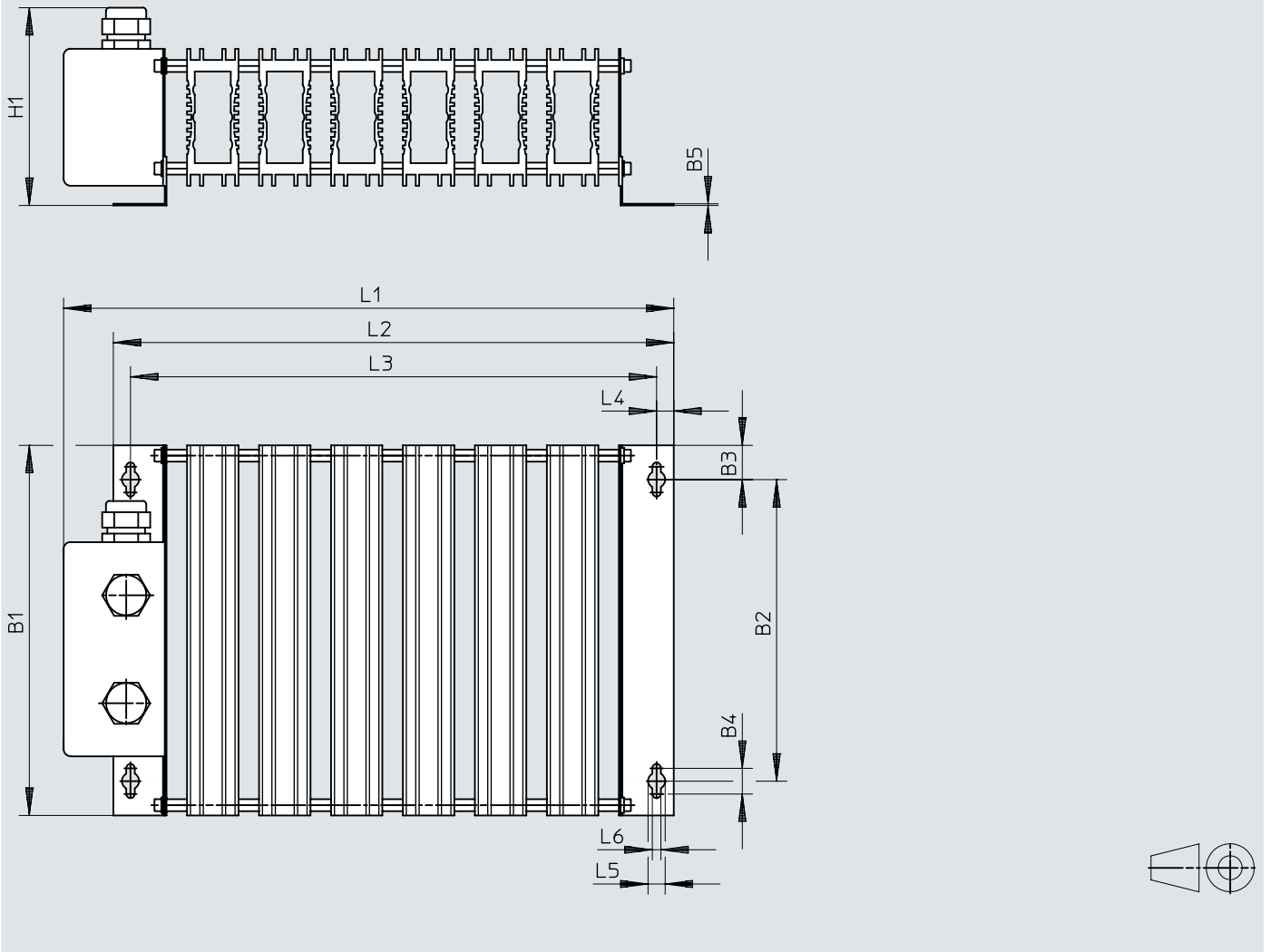


	B1	B2	B3	B4	B5	H1	L1	L2	L3	L4	L5	L6
CACR-KL2-67-W1800	216	176	20	15	1	91,5	230	201	181	10	10	5
CACR-KL2-100-W1800												
CACR-KL2-240-W1800												
CACR-KL2-40-W2000	216	176	20	15	1	91,5	211	183	163	10	10	5

## Dimensions

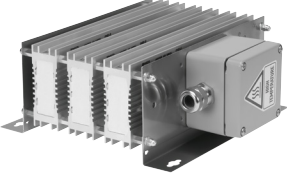
Dimensions – CACR-KL2-33-W2400

Download CAD data → [www.festo.com](http://www.festo.com)



	B1	B2	B3	B4	B5	H1	L1	L2	L3	L4	L5	L6
CACR-KL2-33-W2400	216	176	20	15	1	115,5	356	327	307	10	10	5

## Ordering data

Ordering data				
	Resistance value	Performance at 35% duty cycle and 20°C	Part no.	Type
	6 Ohm	180 W	8189339	CACR-LE2-6-W60-V
	33 Ohm	3,600 W	1336619	CACR-KL2-33-W2400
	40 Ohm	2,000 W	2882343	CACR-KL2-40-W2000
	50 Ohm	500 W	2882342	CACR-LE2-50-W500
	67 Ohm	1,800 W	1336617	CACR-KL2-67-W1800
	72 Ohm	500 W	1336611	CACR-LE2-72-W500
	100 Ohm	1,800 W	1336615	CACR-LE2-100-W500
			8091545	CACR-KL2-100-W1800
	240 Ohm	500 W	8091543	CACR-LE2-240-W500
		1,800 W	8091544	CACR-KL2-240-W1800