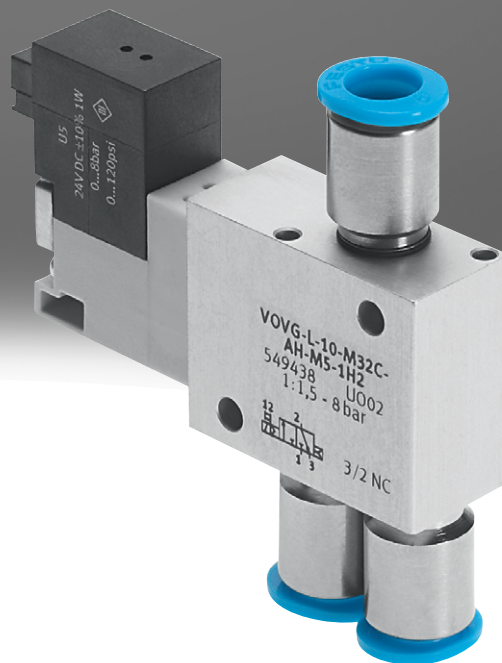


Valve series VOVG

FESTO



Product range overview

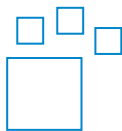
Function	Symbol	Version	Normal position		Voltage [V DC]			→ Page/ Internet
			Open	Closed	5	12	24	
3/2-way valve		In-line valve	■	■	■	■	■	8
		Semi-in-line valve	■	■	■	■	■	
		Sub-base valve	■	■	■	■	■	
5/2-way valve		In-line valve	–	–	■	■	■	
		Semi-in-line valve	–	–	■	■	■	
		Sub-base valve	–	–	■	■	■	

Mounting options				
Voltage	5 V DC	12 V DC	24 V DC	
			Without switching status indication	With switching status indication

Horizontal plug connection (H2)					
	Direct mounting	■	■	■	■
	Manifold assembly	■	■	■	■

Vertical plug connection (H3)					
	Direct mounting	■	■	■	■
	Manifold assembly	■	■	■	■

Ordering data – Product options



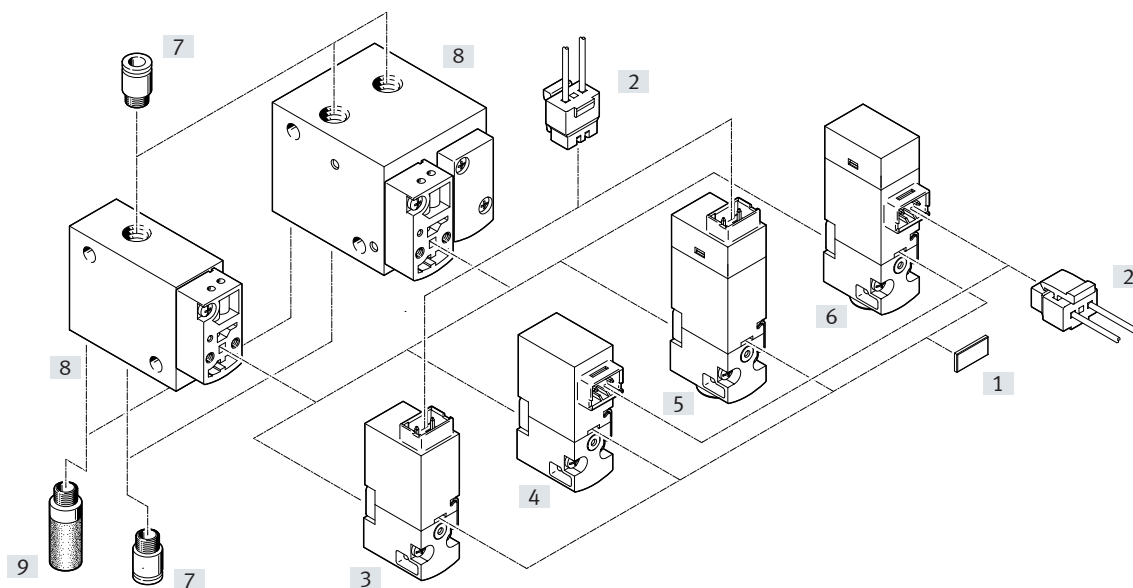
Configurable product
 This product and all its product options can be ordered using the configurator.

The configurator can be found at
 → www.festo.com/catalogue/...
 Enter the part number or the type.

Part no. 549438
 Type VOVG

Peripherals overview

In-line valve

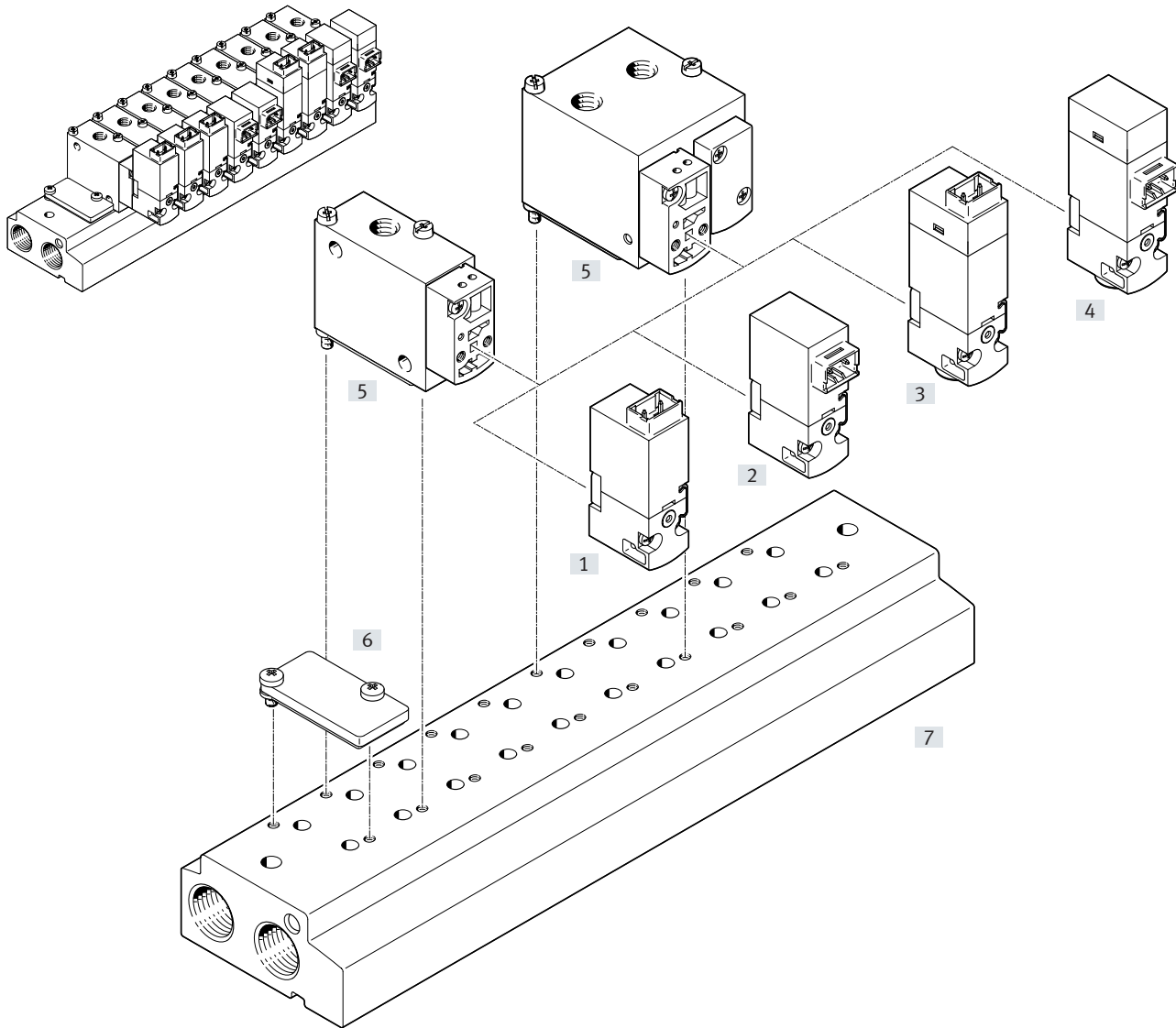


Individual components

	Type	Brief description	→ Page/ Internet
[1]	MH-BZ-80X	For identifying the solenoid valves	25
[2]	NEBV	For solenoid coils	25
[3]	–	With vertical plug connection	8
[4]	–	With horizontal plug connection	8
[5]	–	With vertical plug connection and LED	8
[6]	–	With horizontal plug connection and LED	8
[7]	QS/QSM	For standard O.D. tubing	25
[8]	–	Modules of the solenoid valves VOVG	8
[9]	U	For mounting in exhaust ports	25

System overview

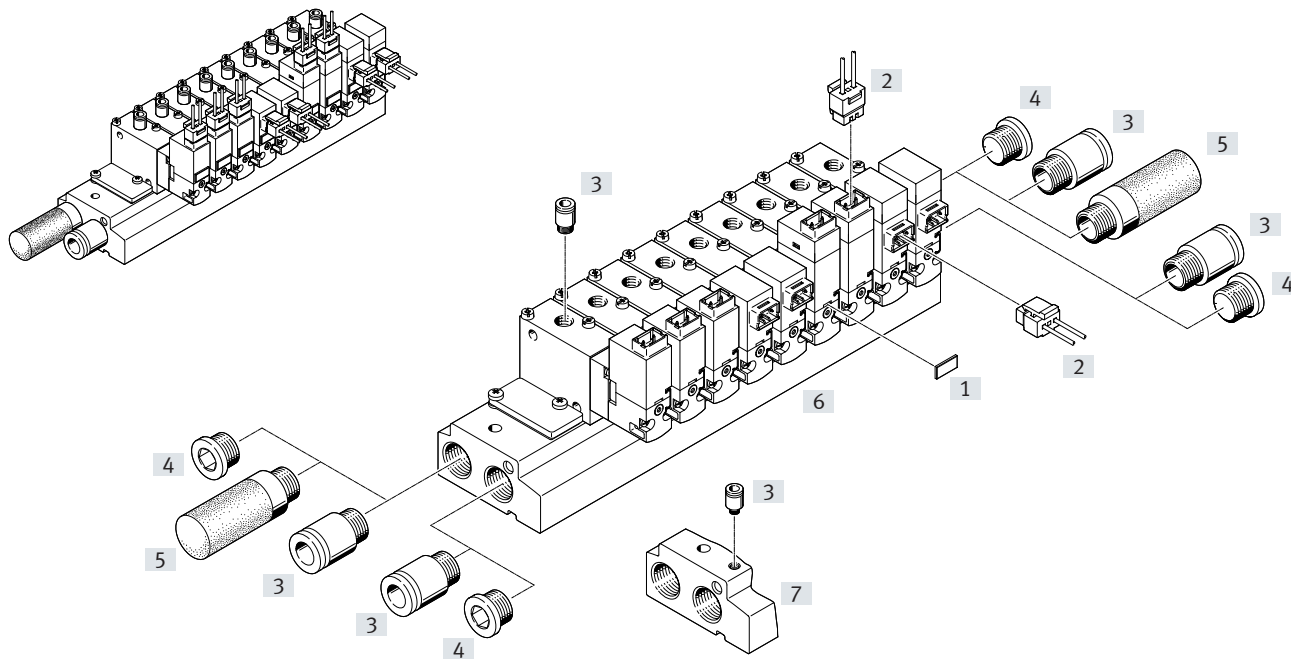
Manifold assembly – Semi in-line valves



Individual components		Type	Brief description	→ Page/ Internet
[1]	Pilot valve	–	With vertical plug connection	8
[2]	Pilot valve	–	With horizontal plug connection	8
[3]	Pilot valve with LED	–	With vertical plug connection and LED	8
[4]	Pilot valve with LED	–	With horizontal plug connection and LED	8
[5]	Basic valves	–	Modules of the solenoid valves VOVG	8
[6]	Cover plate	VABB-C7-12-W	For vacant positions	22
[7]	Manifold rail	VABM-C7-...	For semi in-line valves	20

Peripherals overview

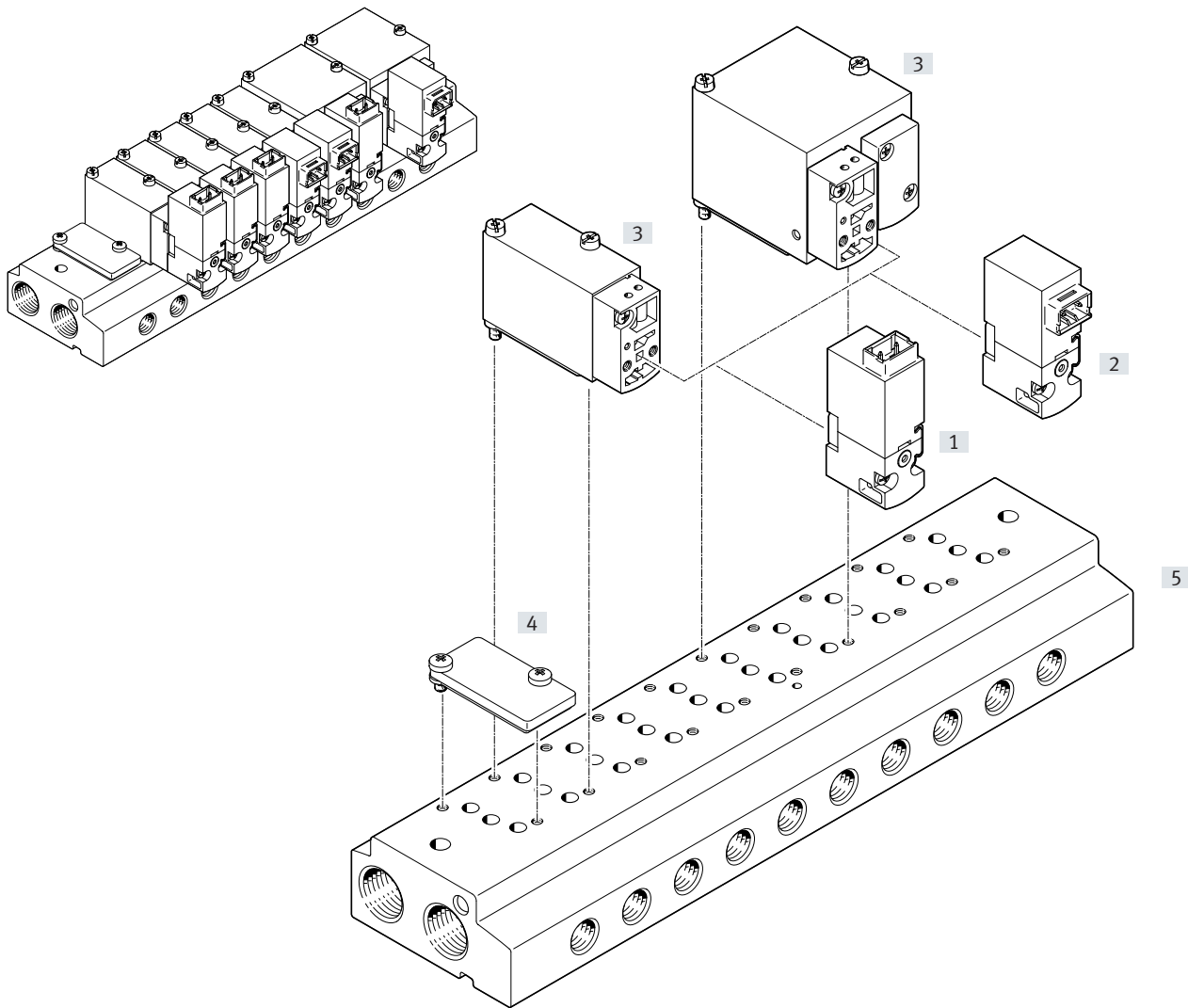
Manifold assembly – Semi in-line valves with accessories



Individual components				
		Type	Brief description	→ Page/ Internet
[1]	Inscription labels	MH-BZ-80X	For identifying the solenoid valves	25
[2]	Plug socket with cable	NEBV	For solenoid coils	25
[3]	Push-in fitting	QS/QSM	For standard O.D. tubing	25
[4]	Blanking plug	B	For sealing ports that are not required	25
[5]	Silencer	U	For mounting in exhaust ports	25
[6]	Manifold rail	VABM-...-P..	Without port for external pilot air for valves with internal pilot air supply	20
[7]	Manifold rail	VABM-...-G...	With port for external pilot air	20

System overview

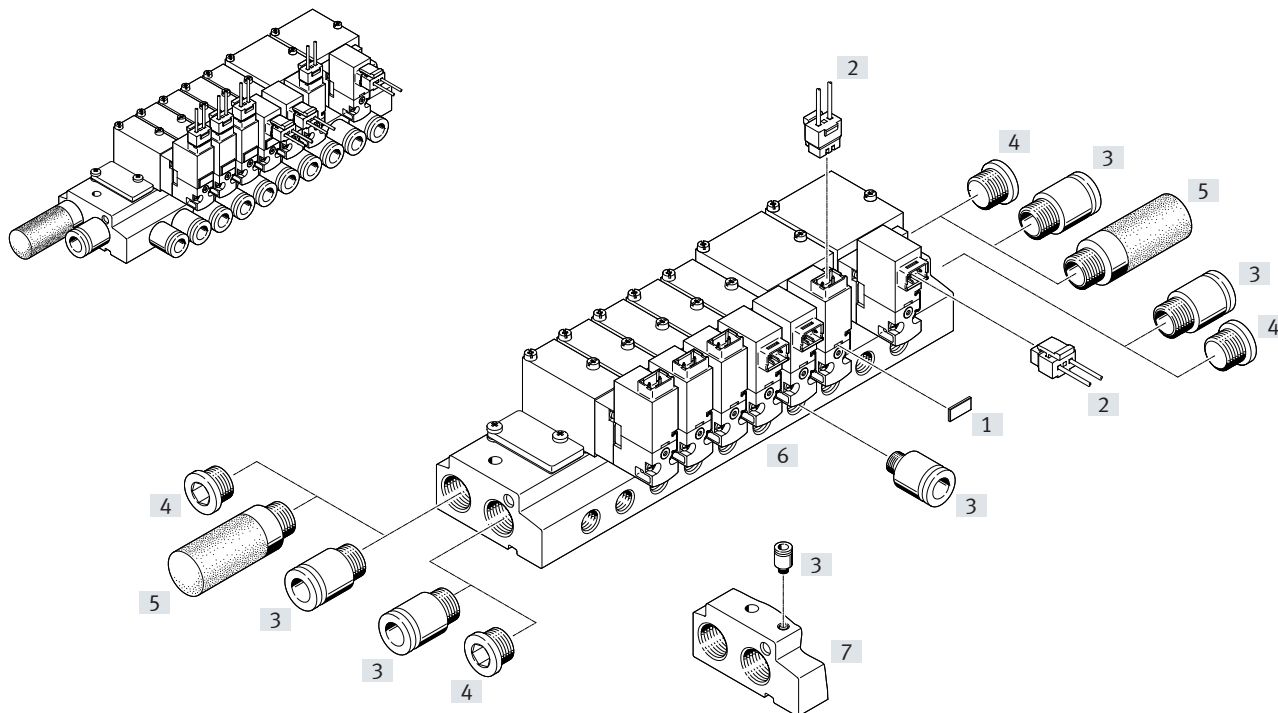
Manifold assembly – Sub-base valves



Individual components		Type	Brief description	→ Page/ Internet
[1]	Pilot valve	–	With vertical plug connection	8
[2]	Pilot valve	–	With horizontal plug connection	8
[3]	Basic valves	–	Modules of the solenoid valves VOVG	8
[4]	Cover plate	VABB-C7-12-W	For vacant positions	22
[5]	Manifold rail	VABM-C7-...	For sub-base valves	21





Peripherals overview

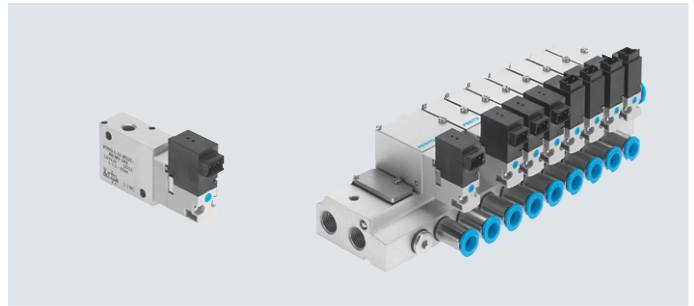
Manifold assembly – Sub-base valves with accessories



Individual components		Type	Brief description	→ Page/ Internet
[1]	Inscription labels	MH-BZ-80X	For identifying the solenoid valves	25
[2]	Plug socket with cable	NEBV	For solenoid coils	25
[3]	Push-in fitting	QS/QSM	For standard O.D. tubing	25
[4]	Blanking plug	B	For sealing ports that are not required	25
[5]	Silencer	U	For mounting in exhaust ports	25
[6]	Manifold rail	VABM-...-M...	Without port for external pilot air for valves with internal pilot air supply	21
[7]	Manifold rail	VABM-...-W...	With port for external pilot air	21

Datasheet

-  Voltage
5, 12, 24 V DC
-  Temperature range
-5 ... +50 °C
-  Pressure
-0.9 ... +8 bar
-  Flow rate
180 ... 200 l/min



General technical data		
Design		In-line valve
Valve function		3/2-way, single solenoid, closed 3/2-way, single solenoid, open 5/2-way, single solenoid
Design		Piston spool
Overlap		Positive overlap
Sealing principle		Soft
Actuation type		Electrical
Reset method		Pneumatic spring
Type of control		Piloted
Flow direction		Not reversible
Mounting position		Any
Nominal width	[mm]	2.1
Standard nominal flow rate	[l/min]	180 ... 200
Width	[mm]	10
	[mm]	12

Switching times [ms]	Switching times [ms]	
	Switching time on	Switching time off
3/2-way valve	12	10
5/2-way valve	15	18

Pneumatic connection		1	2	3
In-line valve	Width 10 mm	M5	M5	M5
	Width 25 mm	M7	M5	M5
Semi-in-line valve		Sub-base	M5	Sub-base
Sub-base valve		Sub-base	Sub-base	Sub-base

Operating and environmental conditions		Valve manifold assembly	3/2-way valve	5/2-way valve
Operating medium		Compressed air to ISO 8573-1:2010 [7:4:4]		
Pilot medium		Compressed air to ISO 8573-1:2010 [7:4:4]		
Note on the operating/pilot medium		Lubricated operation possible (in which case lubricated operation will always be required)		
Operating pressure	[MPa]	-0.09 ... 0.8	0.2 ... 0.8	0.2 ... 0.8
	[bar]	-0.9 ... 8	2 ... 8	2 ... 8
	[psi]	-13.05 ... 116	29 ... 116	29 ... 116
Pilot pressure	[MPa]	0.3 ... 0.8	-	-
	[bar]	3 ... 8	-	-
	[psi]	43.5 ... 116	-	-
Ambient temperature	[°C]	-5 ... +50		
Temperature of medium	[°C]	-5 ... +50		
Corrosion resistance class CRC ¹⁾		0		
Noise level	[dB(A)]	95	-	-

1) More information: www.festo.com/x/topic/crc

Datasheet

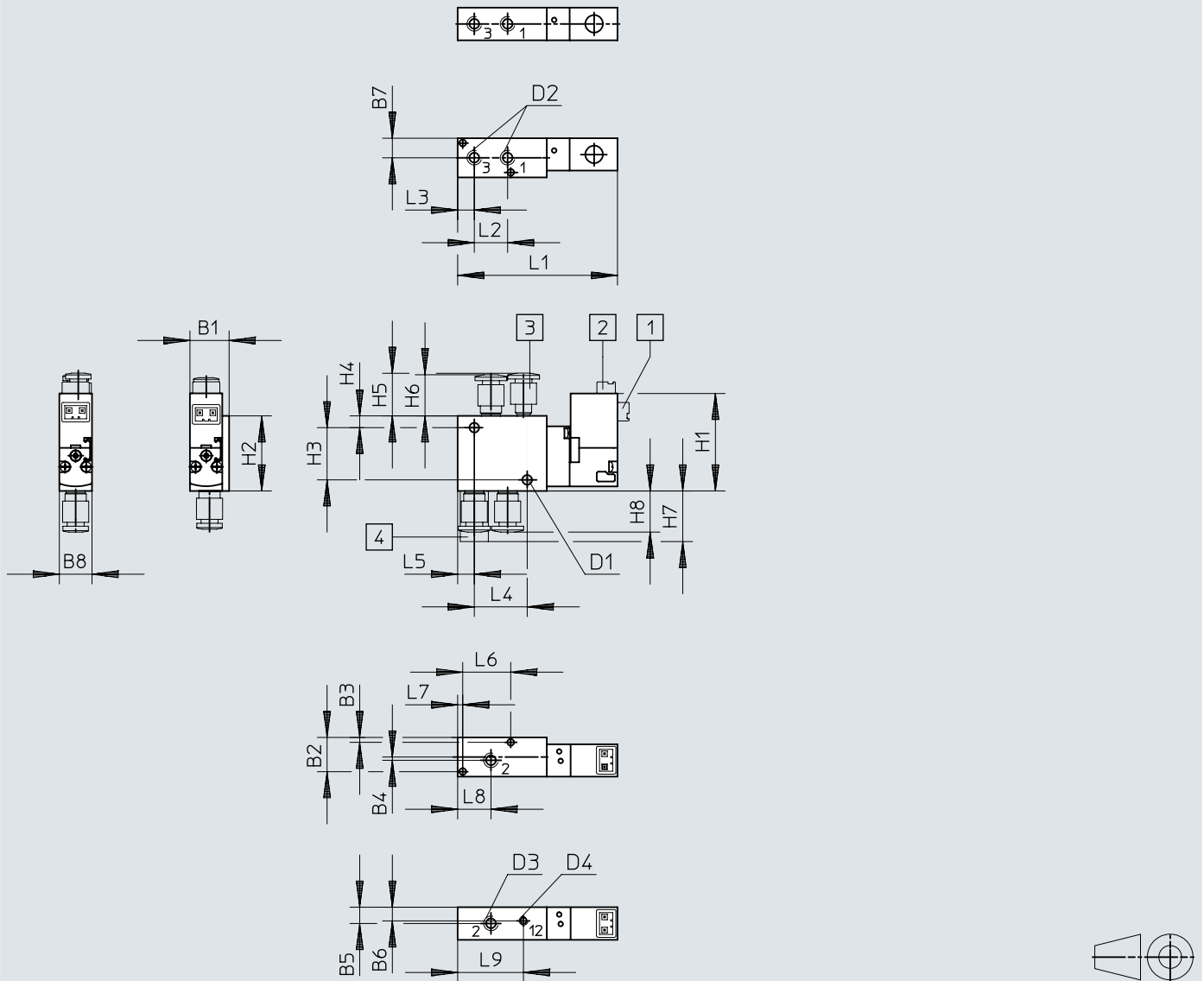
Electrical data	
Characteristic coil data	24 V DC: 1.0 W
Electrical connection	Plug 2-pin
Degree of protection	IP40

Materials	
Housing	Wrought aluminium alloy
Seals	FPM, HNBR, NBR
Screws	Galvanised steel
Note on materials	RoHS-compliant
LABS (PWIS) conformity	VDMA24364-B2-L

Datasheet

Dimensions – 3/2 in-line valve

Download CAD data → www.festo.com



- [1] Electrical connection at rear [2] Electrical connection at top [3] Pilot air supply [4] Silencer

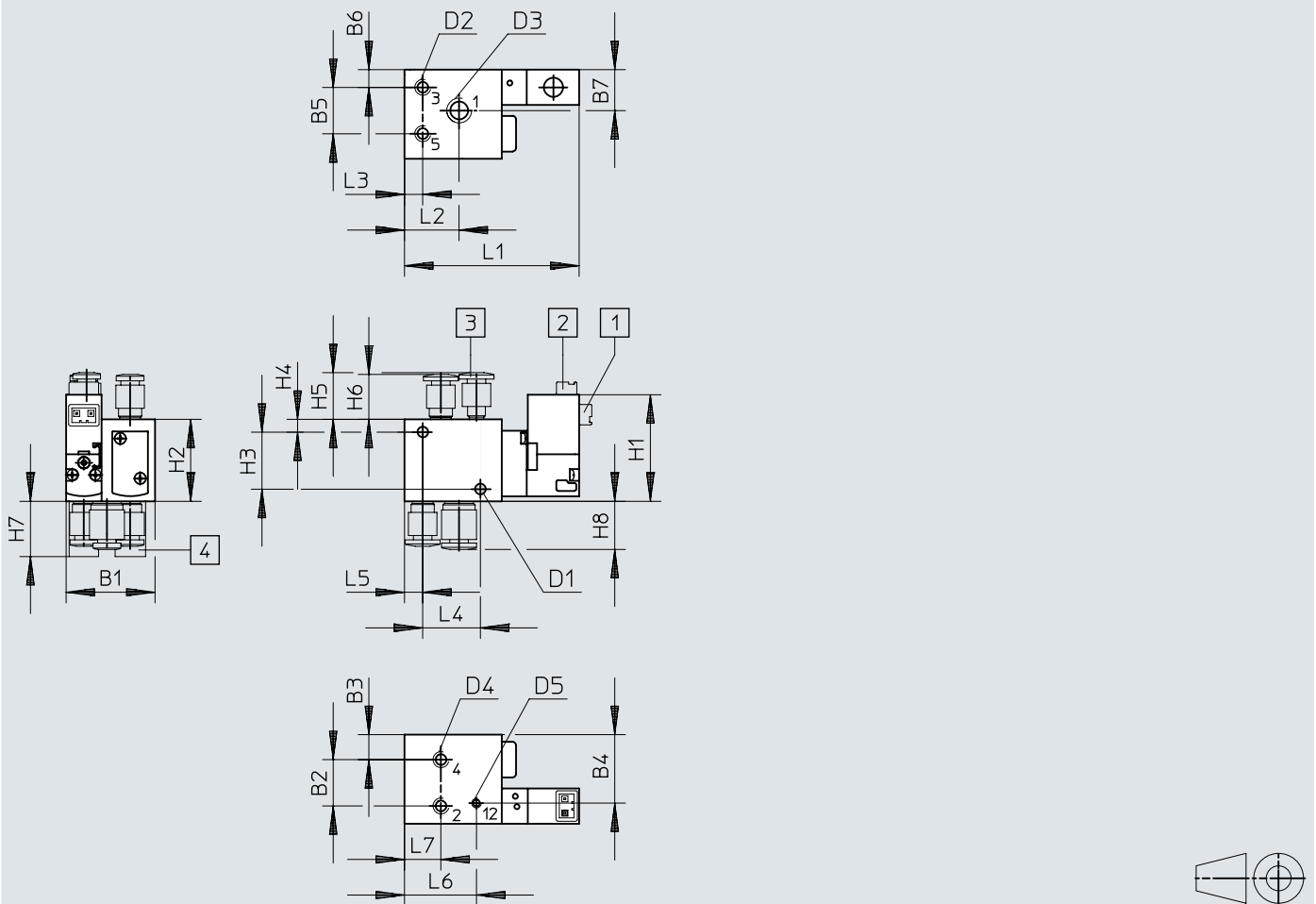
Type	B1	B2	B3	B4	B5	B6	B7	B8	D1	D2	D3	D4
VOVG-L10-M32C-AH-M5	12	10.5	1.5	1	5	4.2	6	10	3	M5	M5	M3
VOVG-L10-M32U-AH-M5												

Type	H1	H2	H3	H4	H5	H6	H7	H8	L1	L2	L3	L4	L5	L6	L7	L8	L9
VOVG-L10-M32C-AH-M5	29.9	23	16	3.6	13.1	12.6	15.5	12.6	49	10.2	5.1	16.2	5.1	14.7	1.6	10.2	20.2
VOVG-L10-M32U-AH-M5																	

Datasheet

Dimensions – 5/2 in-line valve

Download CAD data → www.festo.com



[1] Electrical connection at rear [2] Electrical connection at top [3] Pilot air supply [4] Silencer

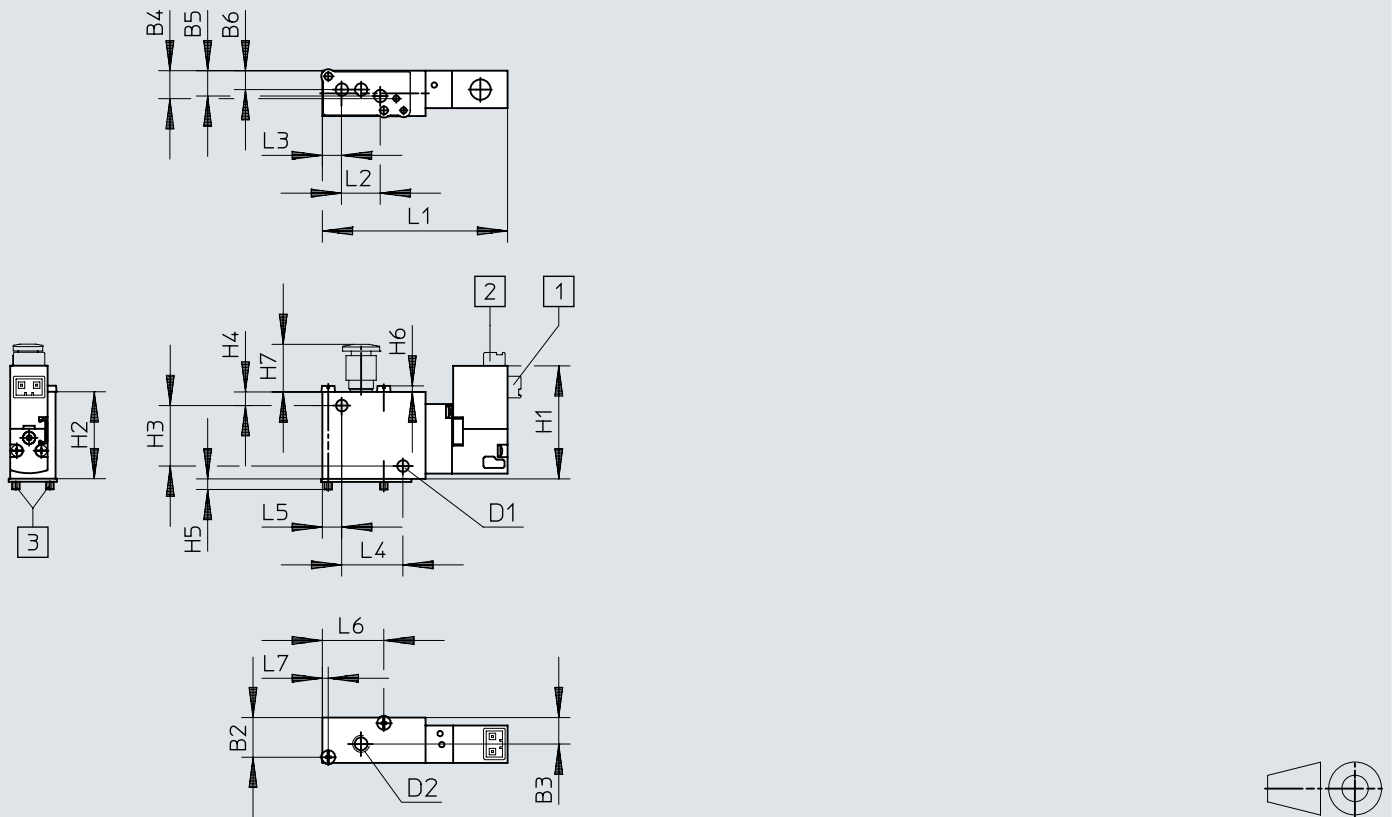
Type	B1	B2	B3	B4	B5	B6	B7	D1	D2	D3	D4	D5
VOVG-L12-M52Q-AH-M5	25	13	7	19.2	13	5	11.5	3	M5	M7	M5	M3

Type	H1	H2	H3	H4	H5	H6	H7	H8	L1	L2	L3	L4	L5	L6	L7
VOVG-L12-M52Q-AH-M5	29.9	23	16	3.6	13.1	12.6	15.5	13.5	49	15.3	5.1	16.2	5.1	20.2	10.2

Datasheet

Dimensions – 3/2 semi in-line valve

Download CAD data → www.festo.com



[1] Electrical connection at rear [2] Electrical connection at top [3] Retaining screws M2x25

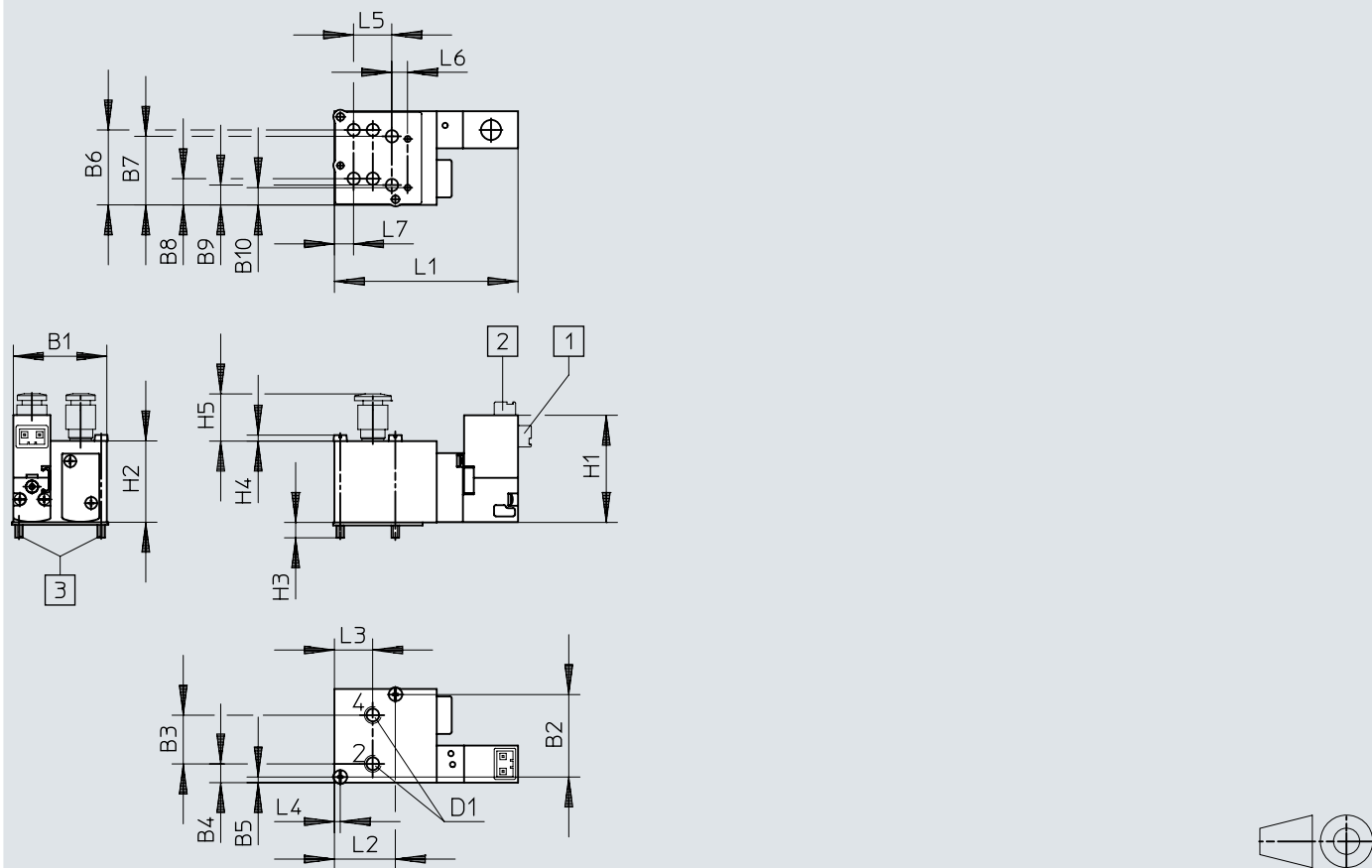
Type	B2	B3	B4	B5	B6	D1	D2
VOVG-S12-M32C-AH-M5	10.5	7	7.4	6.7	5	3.1	M5
VOVG-S12-M32U-AH-M5							

Type	H1	H2	H3	H4	H5	H6	H7	L1	L2	L3	L4	L5	L6	L7
VOVG-S12-M32C-AH-M5	29.9	23	16	3.6	2.8	1.6	12.6	49	10.2	5.1	16.2	5.1	16.3	1.6
VOVG-S12-M32U-AH-M5														

Datasheet

Dimensions – 5/2 semi in-line valve

Download CAD data → www.festo.com



[1] Electrical connection at rear [2] Electrical connection at top [3] Retaining screws M2x25

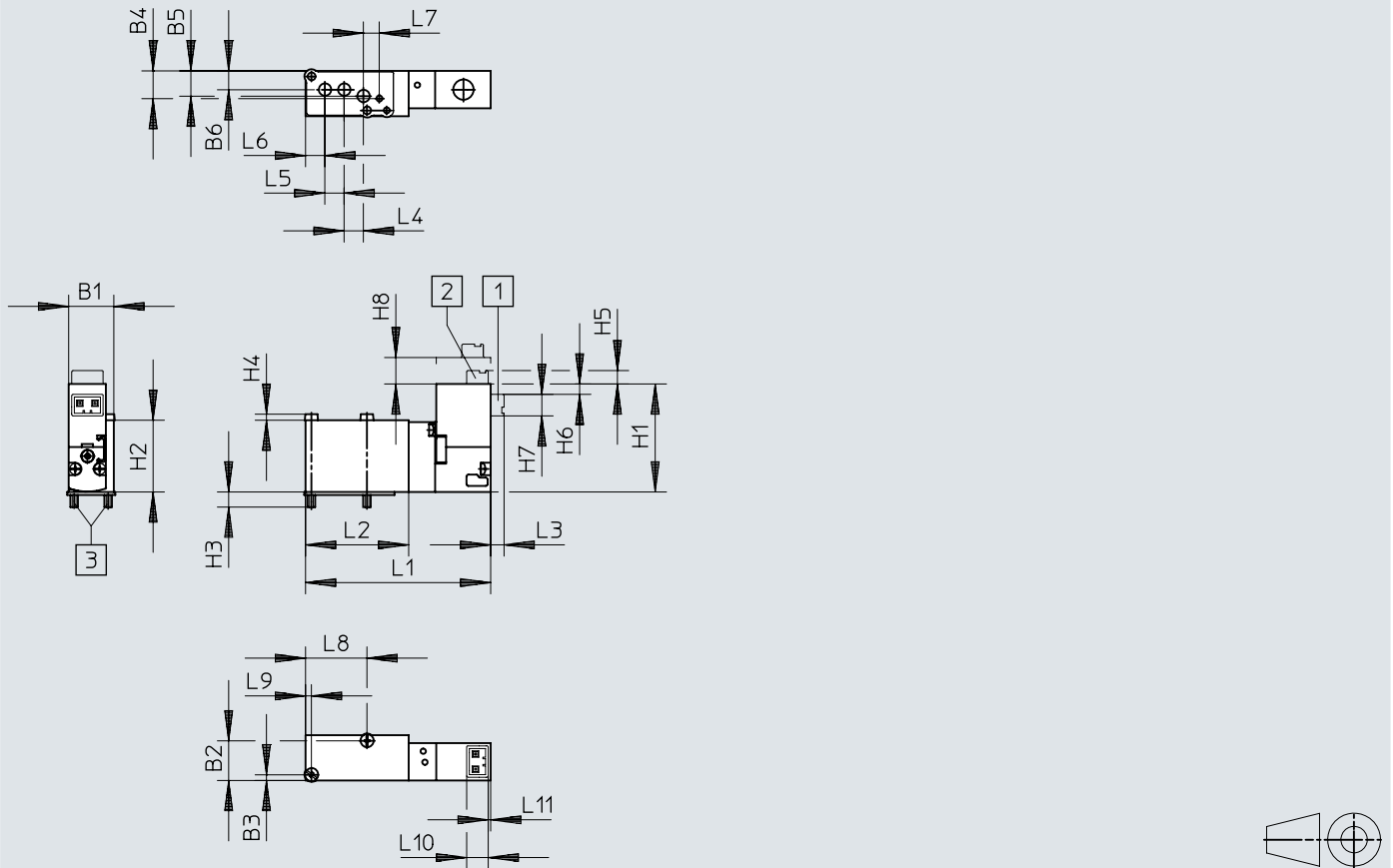
Type	B1	B2	B3	B4	B5	B6	B7	B8	B9	B10	D1
VOVG-S12-M52Q-AH-M5	25	22	13	5	1.5	20	18.3	7	5.3	4.6	M5

Type	H1	H2	H3	H4	H5	L1	L2	L3	L4	L5	L6	L7
VOVG-S12-M52Q-AH-M5	28.6	21.7	4.1	1.6	12.6	49	16.3	10.2	1.6	10.2	4.2	5.1

Datasheet

Dimensions – 3/2 sub-base valve

Download CAD data → www.festo.com



[1] Electrical connection at rear [2] Electrical connection at top [3] Retaining screws M2x23

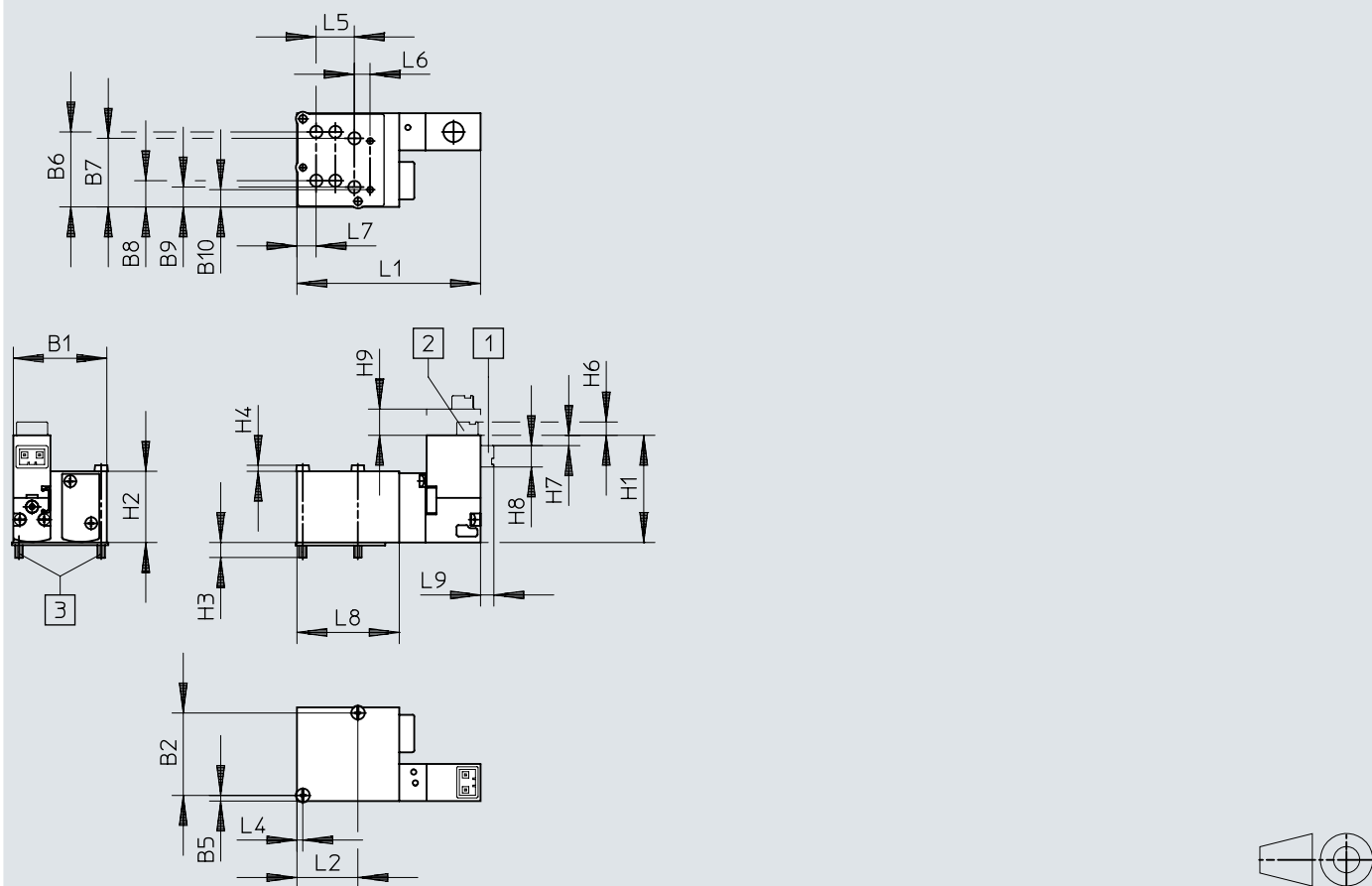
Type	B1	B2	B3	B4	B5	B6	H1	H2	H3	H4	H5	H6	H7	H8
VOVG-B12-M32C-AH-F	12	10.5	1.5	7.4	6.7	5	28.6	19	1.6	4	3.6	2.8	5.7	7
VOVG-B12-M32U-AH-F														

Type	L1	L2	L3	L4	L5	L6	L7	L8	L9	L10	L11
VOVG-B12-M32C-AH-F	49	27.3	3.6	5.1	5.1	5.1	4.2	16.3	1.6	5.7	0.7
VOVG-B12-M32U-AH-F											

Datasheet

Dimensions – 5/2 sub-base valve

Download CAD data → www.festo.com



[1] Electrical connection at rear [2] Electrical connection at top [3] Retaining screws M2x25

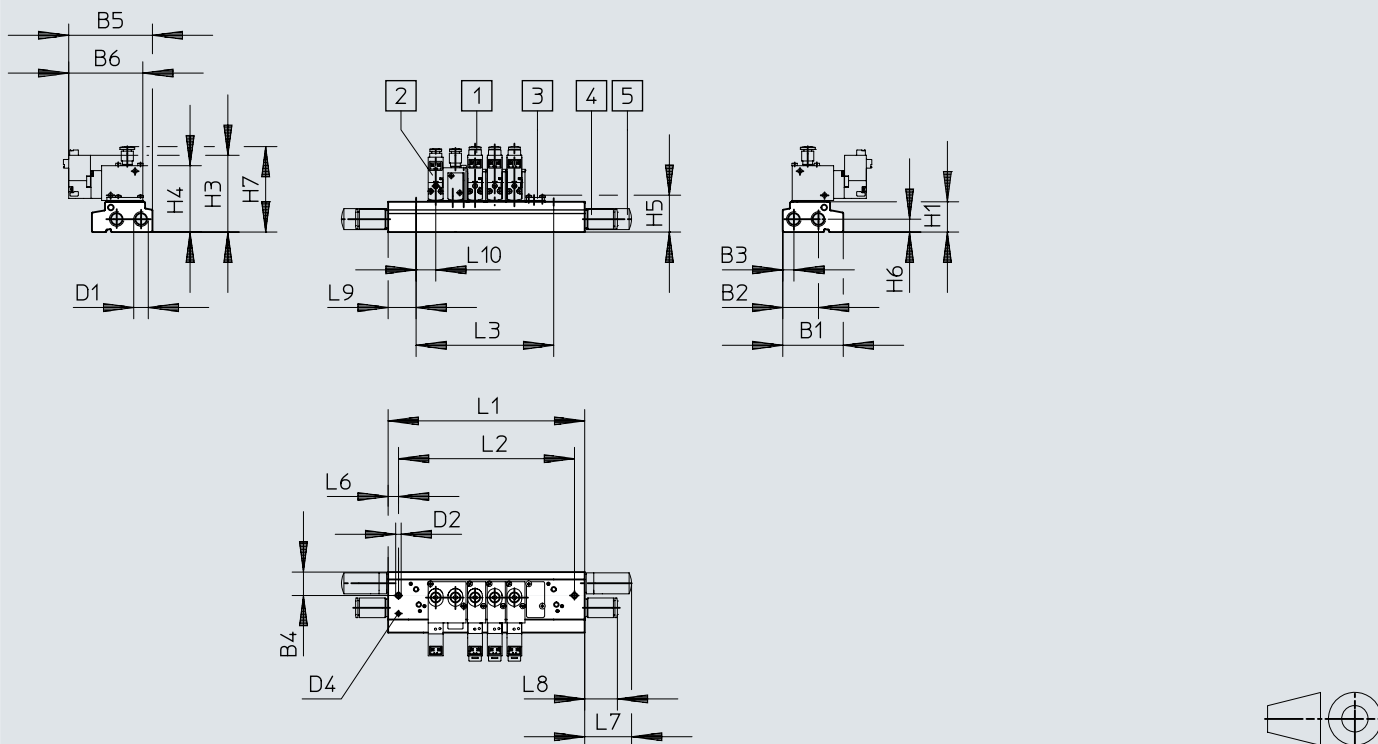
Type	B1	B2	B5	B6	B7	B8	B9	B10
VOVG-B12-M52Q-AH-F	25	22	1.5	20	18.3	7	5.3	4.6

Type	H1	H2	H3	H4	H6	H7	H8	H9	L1	L2	L3	L4	L5	L6	L7	L8	L9
VOVG-B12-M52Q-AH-F	28.6	19	4	1.6	3.6	2.8	5.7	3.6	49	16.3	10.2	1.6	10.2	4.2	5.1	27.3	3.6

Datasheet

Dimensions – Manifold assembly, semi in-line valve

Download CAD data → www.festo.com



- [1] 3/2-way semi in-line valve
- [2] 5/2-way semi in-line valve occupying two valve positions
- [3] Cover plate VABB-C7-12-W
- [4] Push-in fitting
- [5] Silencer

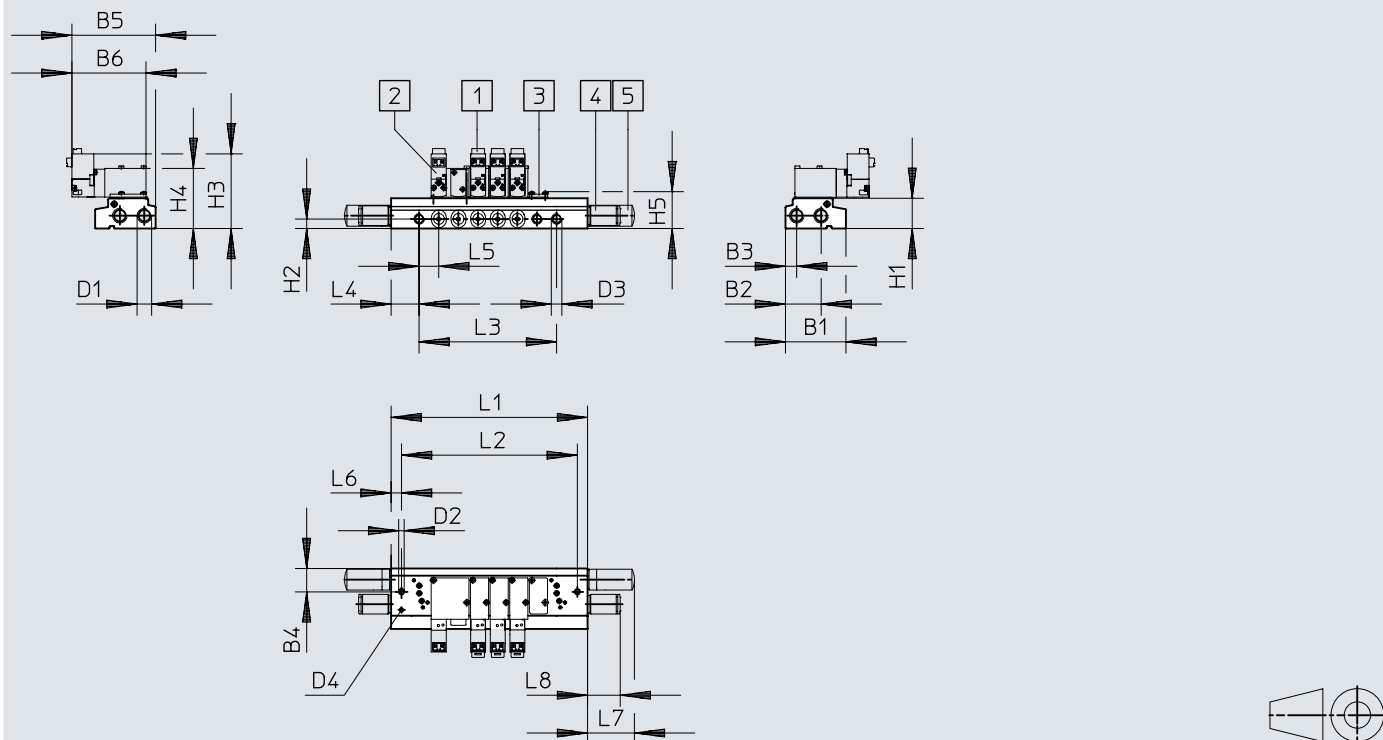
Type	B1	B2	B3	B4	B5	B6	D1	D2	D4	H1	H3	H4	H5	H6	H7
VABM-C7-12P-G18	40	23.6	7.4	15.5	55.3	49	G1/8	3.6	M3	20	50.7	43.8	24.3	8.5	56.4
VABM-C7-12G-G18															

Type	Number of valve positions n	L1	L2	L3	L6	L7	L8	L9	L10
VABM-C7-12P-G18	2	52	38.4	13	6.8	31	21.6	18.5	13
VABM-C7-12G-G18									
VABM-C7-12P-G18	3	65	51.4	26					
VABM-C7-12G-G18									
VABM-C7-12P-G18	4	78	64.4	39					
VABM-C7-12G-G18									
VABM-C7-12P-G18	5	91	77.4	52					
VABM-C7-12G-G18									
VABM-C7-12P-G18	6	104	90.4	65					
VABM-C7-12G-G18									
VABM-C7-12P-G18	7	117	103.4	78					
VABM-C7-12G-G18									
VABM-C7-12P-G18	8	130	116.4	91					
VABM-C7-12G-G18									
VABM-C7-12P-G18	9	143	129.4	104					
VABM-C7-12G-G18									
VABM-C7-12P-G18	10	156	142.4	117					
VABM-C7-12G-G18									

Datasheet

Dimensions – Manifold assembly, sub-base valve

Download CAD data → www.festo.com



- [1] 3/2-way sub-base valve
- [2] 5/2-way sub-base valve occupying two valve positions
- [3] Cover plate VABB-C7-12-W
- [4] Push-in fitting
- [5] Silencer

Type	B1	B2	B3	B4	B5	B6	D1	D2	D3	D4	H1	H2	H3	H4	H5
VABM-C7-12M-G18	40	23.6	7.4	15.5	55.3	49	G1/8	3.6	M7	M3	20	6.3	49.4	39.8	24.3
VABM-C7-12W-G18															

Type	Number of valve positions n	L1	L2	L3	L4	L5	L6	L7	L8
VABM-C7-12M-G18	2	52	38.4	13	18.5	13	6.8	31	21.6
VABM-C7-12W-G18									
VABM-C7-12M-G18	3	65	51.4	26					
VABM-C7-12W-G18									
VABM-C7-12M-G18	4	78	64.4	39					
VABM-C7-12W-G18									
VABM-C7-12M-G18	5	91	77.4	52					
VABM-C7-12W-G18									
VABM-C7-12M-G18	6	104	90.4	65					
VABM-C7-12W-G18									
VABM-C7-12M-G18	7	117	103.4	78					
VABM-C7-12W-G18									
VABM-C7-12M-G18	8	130	116.4	91					
VABM-C7-12W-G18									
VABM-C7-12M-G18	9	143	129.4	104					
VABM-C7-12W-G18									
VABM-C7-12M-G18	10	156	142.4	117					
VABM-C7-12W-G18									

Ordering data – Modular product system

Ordering table		Conditions	Code	Enter code
Module no.	549438			
Valve	Solenoid valve		VOVG	VOVG
Valve type	Sub-base valve		-B	
	Semi-in-line valve		-S	
	In-line valve		-L	
Size	10 (200 l/min)	[1]	10	
	12 (200 l/min)		12	
Valve function	3/2-way valve, single solenoid, normally closed		-M32C	
	3/2-way valve, single solenoid, normally open		-M32U	
	5/2-way valve, single solenoid, 2 valve positions	[8]	-M52Q	
Reset method	Pneumatic spring		-A	-A
Pilot air	Internal pilot air supply			
	External pilot air supply	[9]	Z	

[1] 10, D, U Not with valve type B, S

[8] Z Not in combination with size 10

[9] Z Not in combination with valve type L and size 12

Ordering data – Modular product system

Ordering table		Conditions	Code	Enter code
Manual override	Non-detenting		H	
	Non-detenting/detenting	[1][2]	D	
Pneumatic connection	Flange/sub-base	[3]	-F	
	Metric thread M5	[4]	-M5	
	Push-in connectors 3 mm	[4]	-Q3	
	Push-in connectors 4 mm	[4]	-Q4	
	Push-in connectors 6 mm	[4]	-Q6	
Exhausting	Ducted			
	Silencer	[1][5]	U	
Pilot exhaust	Unmounted			
Nominal operating voltage [V DC]	24		-1	
	5		-4	
	12		-5	
Electrical connection	horizontal plug		H2	
	Vertical plug		H3	
Display	None			
	LED signal display	[7]	L	
Electrical accessories			+	+
Connecting cable	Without sheathing, 0.5 m		W1	
	Without sheathing, 1 m		W2	
	Without sheathing, 2.5 m		W3	
	Without sheathing, 5 m		W4	

[1] 10, D, U Not with valve type B, S

[2] D Not with nominal operating voltage 5 V DC, 12 V DC

[3] F Not with valve type L, S

[4] M5, Q3, Q4, Q6 Not with valve type B

[5] U Not with pneumatic connection F, M5

[7] L Not with nominal operating voltage 5 V DC, 12 V DC

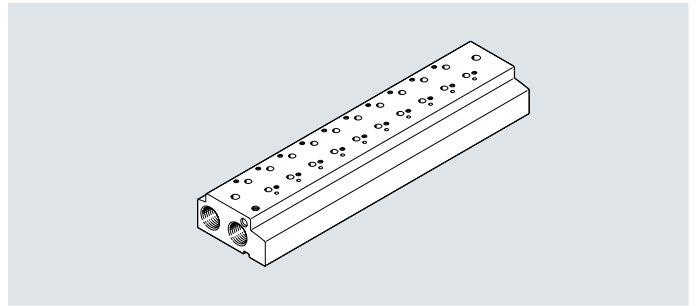
Datasheet – Manifold rail for semi in-line valves

Manifold rail VABM-C7
For semi in-line valves

Material:
Wrought aluminium alloy

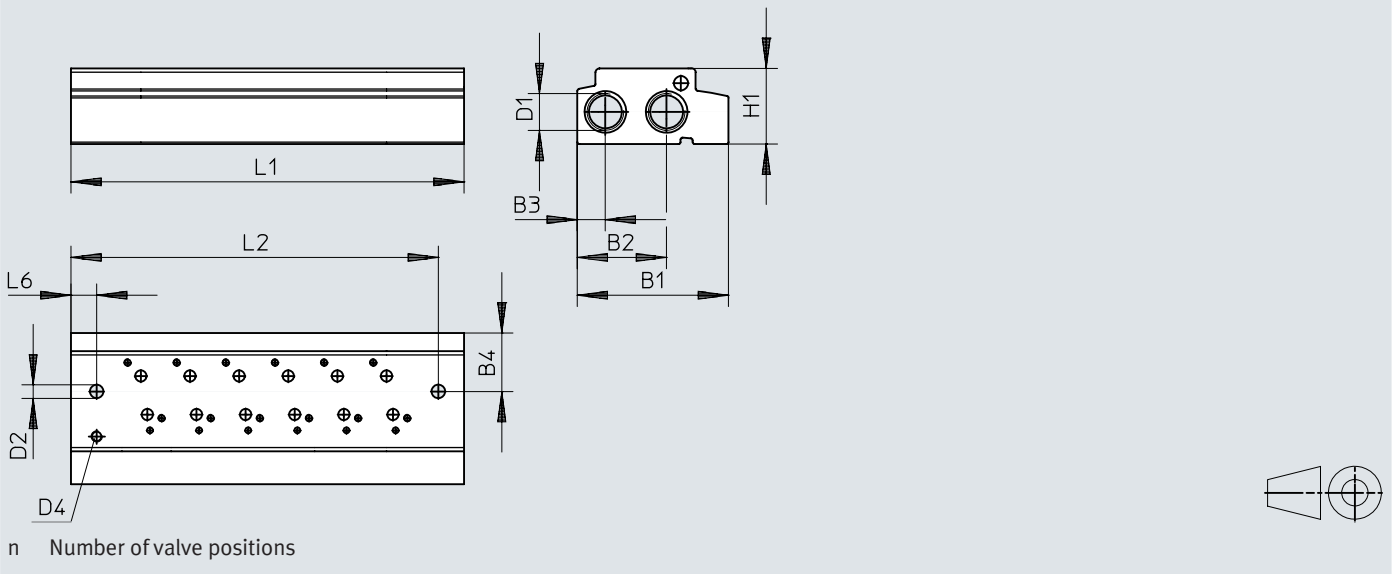
Note on materials:
RoHS-compliant

LABS (PWIS) conformity:
VDMA24364-B2-L



Dimensions

Download CAD data → www.festo.com



Type	B1	B2	B3	B4	D1	D2	D4	H1	L1	L2	L6
VABM-C7-12P-G18	40	23.6	7.4	15.5	G1/8	3.6	M3	20	26+(nx13)	19.2+(nx13)	6.8
VABM-C7-12G-G18											

1) n = number of valve positions

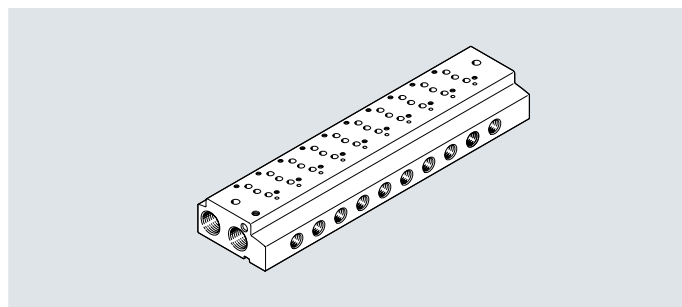
Datasheet – Manifold rail for sub-base valves

Manifold rail VABM-C7 for sub-base valves

Material:
Wrought aluminium alloy

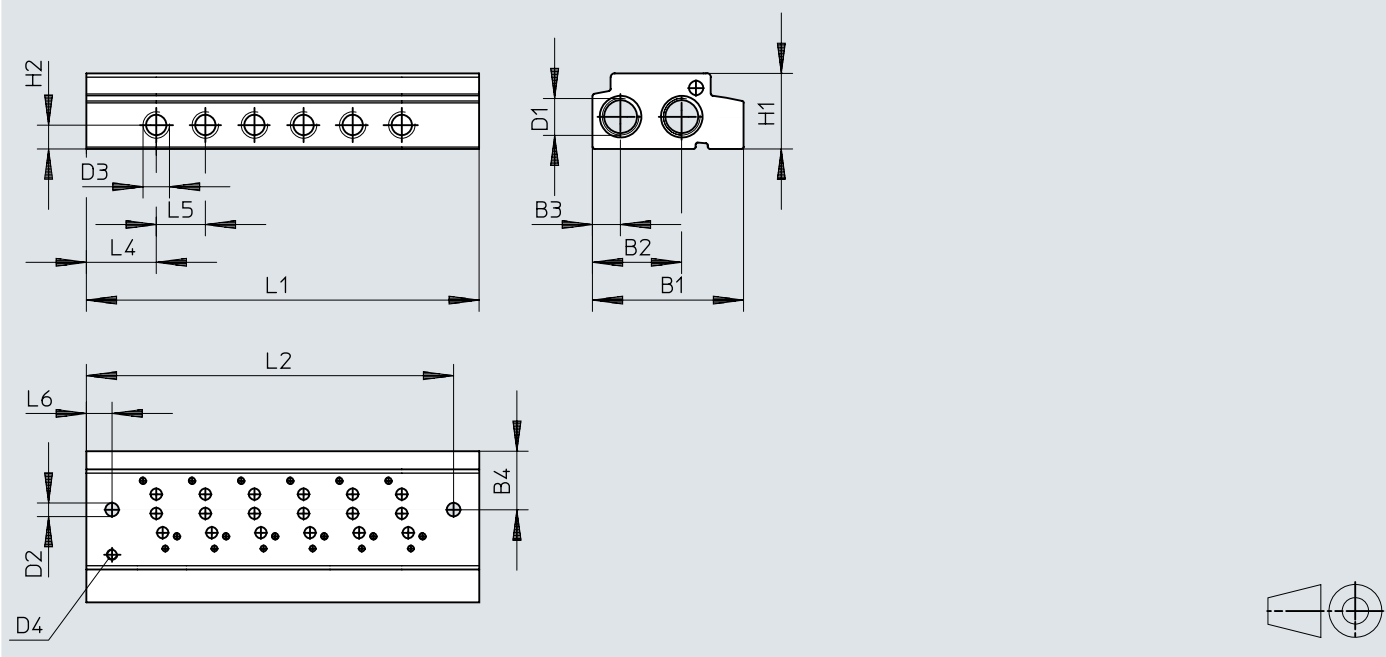
Note on materials:
RoHS-compliant

LABS (PWIS) conformity:
VDMA24364-B2-L



Dimensions

Download CAD data → www.festo.com



Type	B1	B2	B3	B4	D1	D2	D3	D4	H1	H2	L1	L2	L4	L5	L6
VABM-C7-12M-G18	40	23.6	7.4	15.5	G1/8	3.6	M7	M3	20	6.3	26+(nx13)	19.2+(nx13)	18.5	13	6.8
VABM-C7-12W-G18															

1) n = number of valve positions

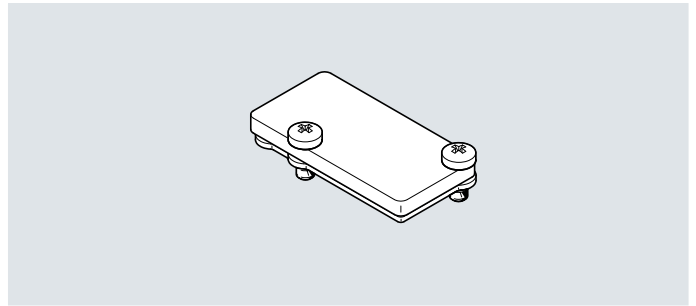
Datasheet – Cover plate

Cover plate VABB-C7

Material:
Cover plate: Steel
Seal: NBR

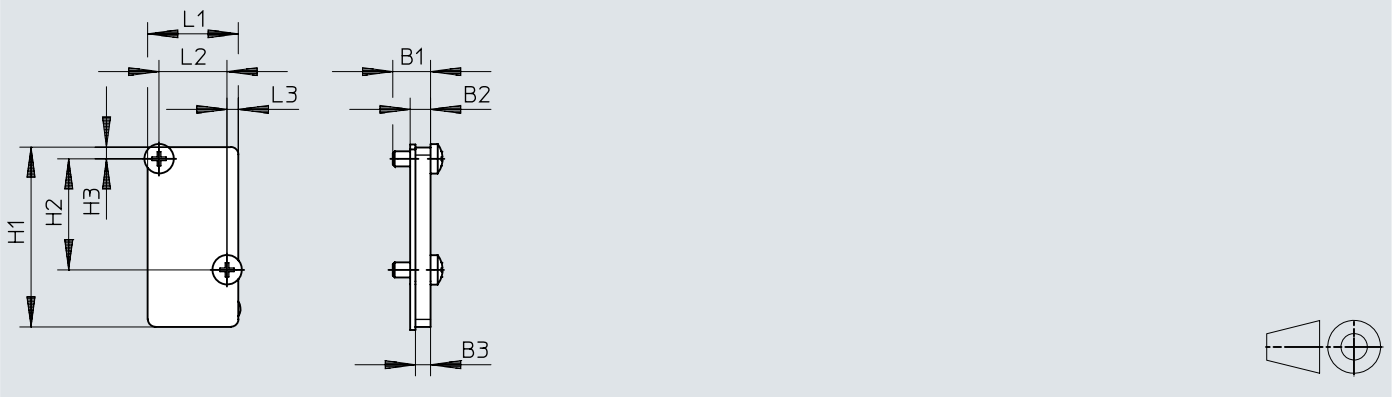
Note on materials:
RoHS-compliant

LABS (PWIS) conformity:
VDMA24364-B2-L



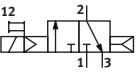
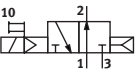
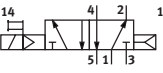
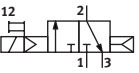
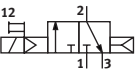
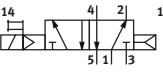
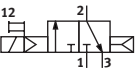
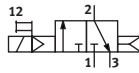
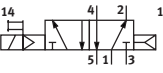
Dimensions

Download CAD data → www.festo.com



Type	B1	B2	B3	H1	H2	H3	L1	L2	L3
VABB-C7-12-W	5	2.7	2	23.8	14.7	1.6	12	9	1.5

Ordering data

Ordering data								
Circuit symbol	Width [mm]	Function	Normal position	Plug direction	Standard nominal flow rate [l/min]	Characteristic coil data	Part no.	Type
In-line valve								
	10	3/2-way, single solenoid	Closed	Horizontal	200	24 V DC, 1.0 W	560697	VOVG-L10-M32C-AH-M5-1H2
				Vertical	200	24 V DC, 1.0 W	560698	VOVG-L10-M32C-AH-M5-1H3
			Open	Horizontal	200	24 V DC, 1.0 W	560699	VOVG-L10-M32U-AH-M5-1H2
				Vertical	200	24 V DC, 1.0 W	560700	VOVG-L10-M32U-AH-M5-1H3
	25	5/2-way, single solenoid	–	Horizontal	200	24 V DC, 1.0 W	560701	VOVG-L12-M52Q-AH-M5-1H2
				Vertical	200	24 V DC, 1.0 W	560702	VOVG-L12-M52Q-AH-M5-1H3
Semi-in-line valve								
	12	3/2-way, single solenoid	Closed	Horizontal	180	24 V DC, 1.0 W	560703	VOVG-S12-M32C-AH-M5-1H2
				Vertical	180	24 V DC, 1.0 W	560704	VOVG-S12-M32C-AH-M5-1H3
			Open	Horizontal	180	24 V DC, 1.0 W	560705	VOVG-S12-M32U-AH-M5-1H2
				Vertical	180	24 V DC, 1.0 W	560706	VOVG-S12-M32U-AH-M5-1H3
	25	5/2-way, single solenoid	–	Horizontal	180	24 V DC, 1.0 W	560707	VOVG-S12-M52Q-AH-M5-1H2
				Vertical	180	24 V DC, 1.0 W	560708	VOVG-L12-M52Q-AH-M5-1H3
Sub-base valve								
	12	3/2-way, single solenoid	Closed	Horizontal	180	24 V DC, 1.0 W	560709	VOVG-B12-M32C-AH-F-1H2
				Vertical	180	24 V DC, 1.0 W	560710	VOVG-B12-M32C-AH-F-1H3
			Open	Horizontal	180	24 V DC, 1.0 W	560711	VOVG-B12-M32U-AH-F-1H2
				Vertical	180	24 V DC, 1.0 W	560712	VOVG-B12-M32U-AH-F-1H3
	25	5/2-way, single solenoid	–	Horizontal	180	24 V DC, 1.0 W	560713	VOVG-B12-M52Q-AH-F-1H2
				Vertical	180	24 V DC, 1.0 W	560714	VOVG-B12-M52Q-AH-F-1H3

Ordering data





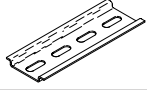
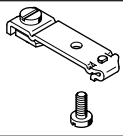
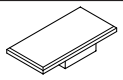
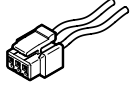
Ordering data – Manifold rails for semi in-line valves				
Valve positions n	Weight [g]	Corrosion resistance class CRC ¹⁾	Part no.	Type
For valves with internal pilot air				
2	84	2	552652	VABM-C7-12P-G18-2
3	105		552653	VABM-C7-12P-G18-3
4	126		552654	VABM-C7-12P-G18-4
5	147		552655	VABM-C7-12P-G18-5
6	168		552656	VABM-C7-12P-G18-6
7	189		552657	VABM-C7-12P-G18-7
8	210		552658	VABM-C7-12P-G18-8
9	231		552659	VABM-C7-12P-G18-9
10	252		552660	VABM-C7-12P-G18-10
For valves with external pilot air				
2	84	2	552661	VABM-C7-12G-G18-2
3	105		552662	VABM-C7-12G-G18-3
4	126		552663	VABM-C7-12G-G18-4
5	147		552664	VABM-C7-12G-G18-5
6	168		552665	VABM-C7-12G-G18-6
7	189		552666	VABM-C7-12G-G18-7
8	210		552667	VABM-C7-12G-G18-8
9	231		552668	VABM-C7-12G-G18-9
10	252		552669	VABM-C7-12G-G18-10

1) More information: www.festo.com/x/topic/crc

Ordering data – Manifold rails for sub-base valves				
valve positions	Weight [g]	Corrosion resistance class CRC ¹⁾	Part no.	Type
For valves with internal pilot air				
2	82	2	549639	VABM-C7-12M-G18-2
3	102		549640	VABM-C7-12M-G18-3
4	122		549641	VABM-C7-12M-G18-4
5	142		549642	VABM-C7-12M-G18-5
6	162		549643	VABM-C7-12M-G18-6
7	182		549644	VABM-C7-12M-G18-7
8	202		549645	VABM-C7-12M-G18-8
9	222		549646	VABM-C7-12M-G18-9
10	242		549647	VABM-C7-12M-G18-10
For valves with external pilot air				
2	82	2	549648	VABM-C7-12W-G18-2
3	102		549649	VABM-C7-12W-G18-3
4	122		549650	VABM-C7-12W-G18-4
5	142		549651	VABM-C7-12W-G18-5
6	162		549652	VABM-C7-12W-G18-6
7	182		549653	VABM-C7-12W-G18-7
8	202		549654	VABM-C7-12W-G18-8
9	222		549655	VABM-C7-12W-G18-9
10	242		549656	VABM-C7-12W-G18-10

1) More information: www.festo.com/x/topic/crc

Ordering data

Ordering data		Part no.	Type
Designation			
Cover plate			
	Cover plate for vacant positions	552651	VABB-C7-12-W
Silencer			
	Connecting thread G1/8	Polymer design	2307 U-1/8
		Metal design	6841 U-1/8-B
Blanking plug			
	Thread G1/8	Pack of 10	3568 B-1/8
Push-in fitting			
	Connecting thread G1/8 for tubing O.D.	6 mm (pack of 10)	153002 QS-1/8-6
		8 mm (pack of 10)	153004 QS-1/8-8
	Connecting thread M3 for tubing O.D.	3 mm (pack of 10)	153312 QSM-M3-3-I
		4 mm (pack of 10)	153313 QSM-M5-3-I
	Connecting thread M5 for tubing O.D.	3 mm (pack of 10)	153315 QSM-M5-4-I
		4 mm (pack of 10)	153317 QSM-M5-6-I
Connecting thread M7 for tubing O.D.	4 mm (pack of 10)	153319 QSM-M7-4-I	
	6 mm (pack of 10)	153321 QSM-M7-6-I	
DIN rail			
		35430	NRH-35-2000
Mounting			
	For DIN rail	527392	CPASC1-BG-NRH
Inscription label			
	For identifying the valve positions	Pack of 80	197259 MH-BZ-80X
Plug socket with cable			
	For 1 coil, 2-core	0.5 m	566654 NEBV-H1G2-KN-0.5-N-LE2
		1 m	566655 NEBV-H1G2-KN-1-N-LE2
		2.5 m	566656 NEBV-H1G2-KN-2.5-N-LE2
		5 m	566657 NEBV-H1G2-KN-5-N-LE2