

Mass flow controller VEFC

FESTO



Characteristics

At a glance

Description:

- The low-noise piezo technology consumes minimal energy, has compact dimensions and is suitable for a wide range of applications

Benefits:

- Very low power consumption
- High dynamic response
- Very low self-heating
- Completely silent
- Excellent price/performance ratio
- Sturdy and durable
- Linear control behaviour
- Small installation space and low weight

Operating mode:

- VEFC is a flow control valve. The flow rate is controlled in a closed control loop.
- The setpoint value for the flow rate can be specified via an analogue interface, and the current actual value is also fed back in analogue form.
- The flow rate is measured using the differential pressure method.

Range of applications:

- The proportional flow control valve VEMD is used to control the flow rate of air and inert gases proportionally in relation to a given setpoint value.
- A filter may need to be installed downstream for applications with special requirements, for example with regard to technical cleanliness and being free from particles.

Type code

001	Series		006	Pneumatic connection 1	
VEFC	Mass flow controller		G14	G1/4	
			R14	R1/4	
002	Directional control valve type		007	Pneumatic connection 2	
L	In-line valve		G14	G1/4	
			R14	R1/4	
003	Valve function		008	Bus protocol/activation	
6	2/2-way valve, normally closed		MR	analog	
			009	Electrical connection	
004	Flow rate range		M1	Multi-pin with SUB-D plug	
200	200 l/min				
005	Pressure range				
D31	3... 7 bar				

Datasheet

General technical data

Pneumatic connection, port 1	G1/4 R1/4
Pneumatic connection, port 2	G1/4 R1/4
Valve function	2-way proportional flow control valve
Type of actuation	Electric
Flow direction	Non-reversible
Display type	LED
Reverse polarity protection	For operating voltage
Protection against direct and indirect contact	PELV
Product weight	250 g
Dimensions (W x L x H)	24 mm x 130 mm x 97.1 mm
Suitability for the production of Li-ion batteries	Metals with more than 5% by mass of copper, zinc or nickel by mass are excluded from use. Exceptions are nickel in steel, chemically nickel-plated surfaces, printed circuit boards, cables, electrical plug connectors and coils
Instructions on use	The product is suitable for industrial purposes only. Measures to eliminate radio interference may be required in residential areas., For indoor use only

Electrical data

Nominal operating voltage DC	24 V
Operational voltage range DC	24 V
Max. current consumption	55 mA
Max. electrical power consumption	1.3 W
Overvoltage category	II
Residual ripple	± 10%
Setpoint value input	0 - 10 V 4 - 20 mA
Buffer time for voltage failure of logic supply	10 ms
Electrical connection 1, function	Power supply
Electrical connection 1, connection type	Socket
Electrical connection 1, connector system	Sub-D
Electrical connection 1, number of connections/cores	9

Datasheet

Operating and environmental conditions

Operating medium	Compressed air to ISO 8573-1:2010 [7:4:4] Inert gases
Operating pressure	0.6 MPa
Operating pressure	6 bar
Overload pressure	0.8 MPa
Overload pressure	8 bar
Burst pressure	1.4 MPa
Burst pressure	14 bar
Inlet pressure 1	0.3 ... 0.7 MPa
Inlet pressure 1	3 ... 7 bar
Flow rate control range	10 ... 200 l/min
Degree of protection	IP20
Relative air humidity	5 - 85% Non-condensing
Climatic category	3K22 to EN 60721
Nominal altitude of use	<= 2000 m NHN
Media temperature	15 ... 35°C
Ambient temperature	15 ... 35°C
Storage temperature	-20 ... 50°C
Total accuracy	2.5% FS
Reproducibility	0.75 %FS
Linearity	1.5 %FS
Hysteresis	1 %FS
Pollution degree	2
Approval	RCM trademark
CE mark (see declaration of conformity) ¹⁾	To EU EMC Directive In accordance with EU RoHS Directive
UKCA marking (see declaration of conformity) ²⁾	To UK instructions for EMC To UK RoHS instructions
KC mark	KC-EMV
KC Approval No. EMC/Radio	R-R-FTO-KC-2024-1003
LABS (PWIS) conformity	VDMA24364 zone III

1) For information about the area of use, see the declaration of conformity at: www.festo.com/catalogue/... -> Support/Downloads.

If the devices are subject to usage restrictions in residential, commercial or light industrial environments, further measures for reducing the emitted interference may be necessary.

2) For information about the area of use, see the declaration of conformity at: www.festo.com/catalogue/... -> Support/Downloads.

If the devices are subject to usage restrictions in residential, commercial or light industrial environments, further measures for reducing the emitted interference may be necessary.

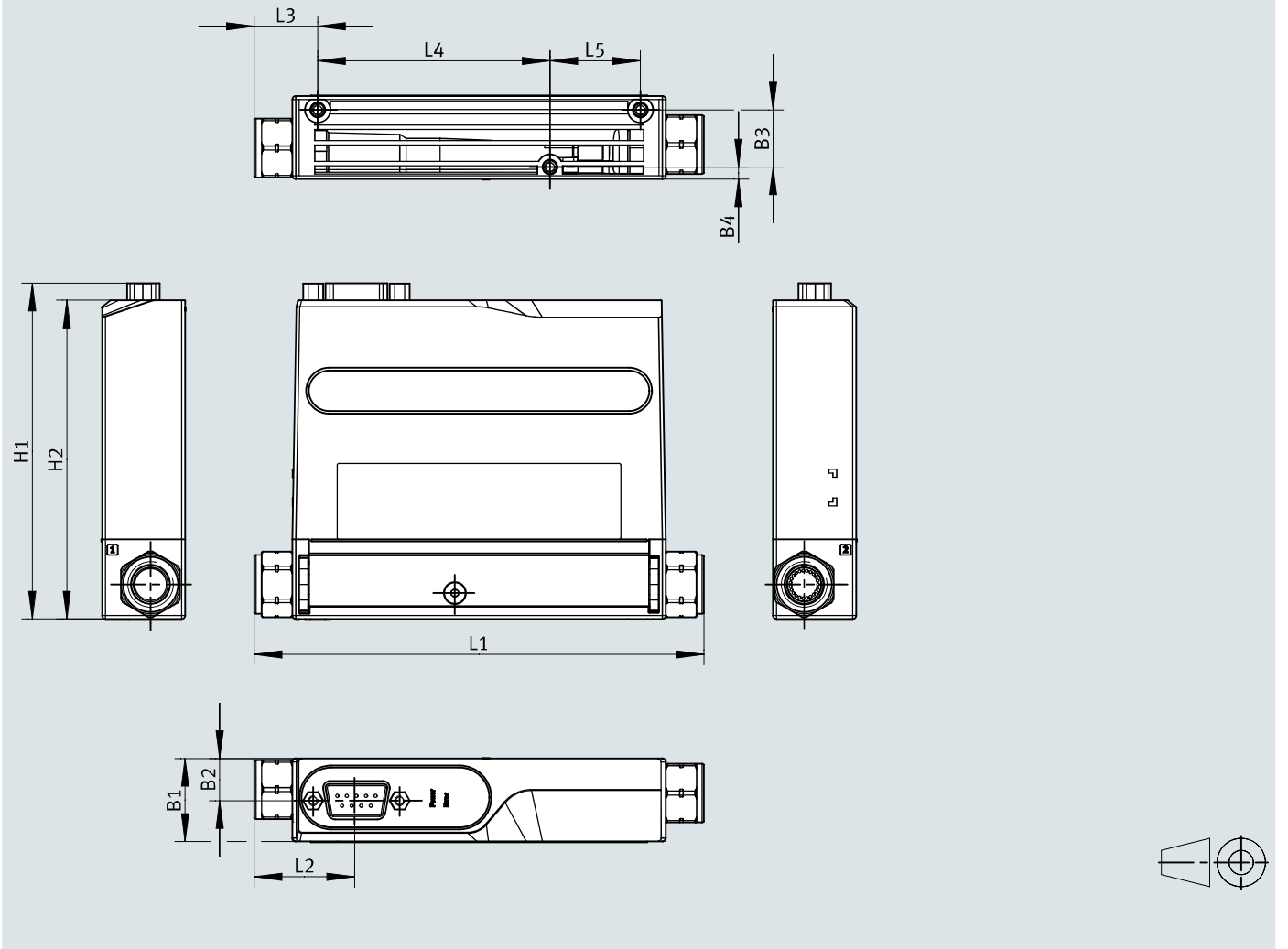
Materials

Material seals	HNBR NBR
Note on materials	RoHS-compliant
Fire test material	UL94 HB

Dimensions

Dimensions – Mass flow controller VEFC

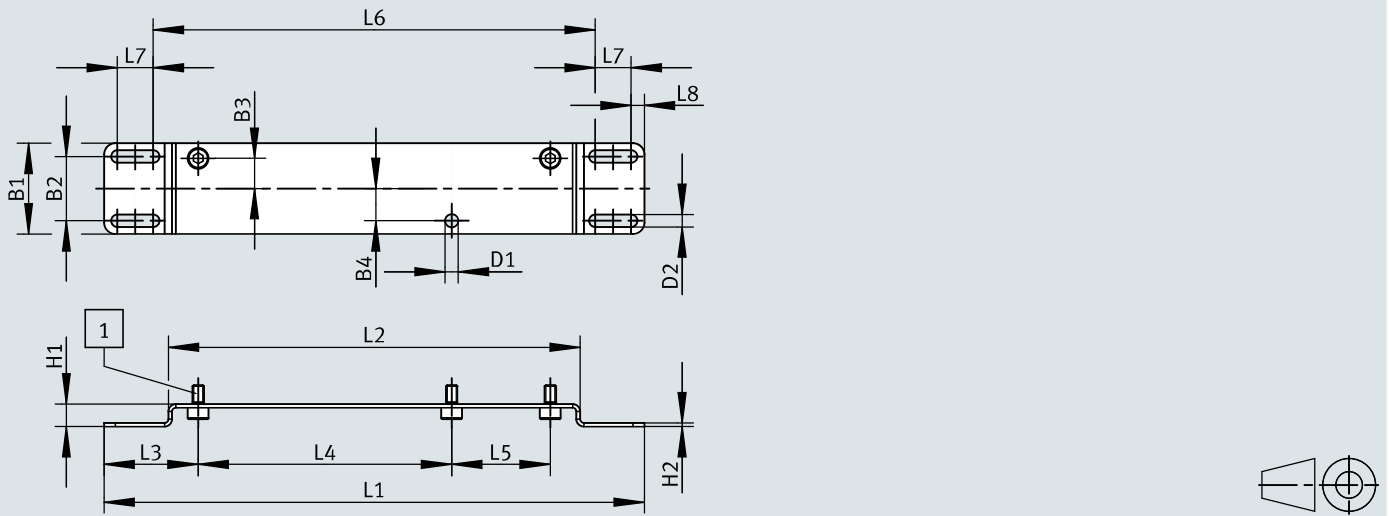
Download CAD data www.festo.com



Dimensions

Dimensions – Mounting kit VAME


Download CAD data www.festo.com



[1] M3x6 screw

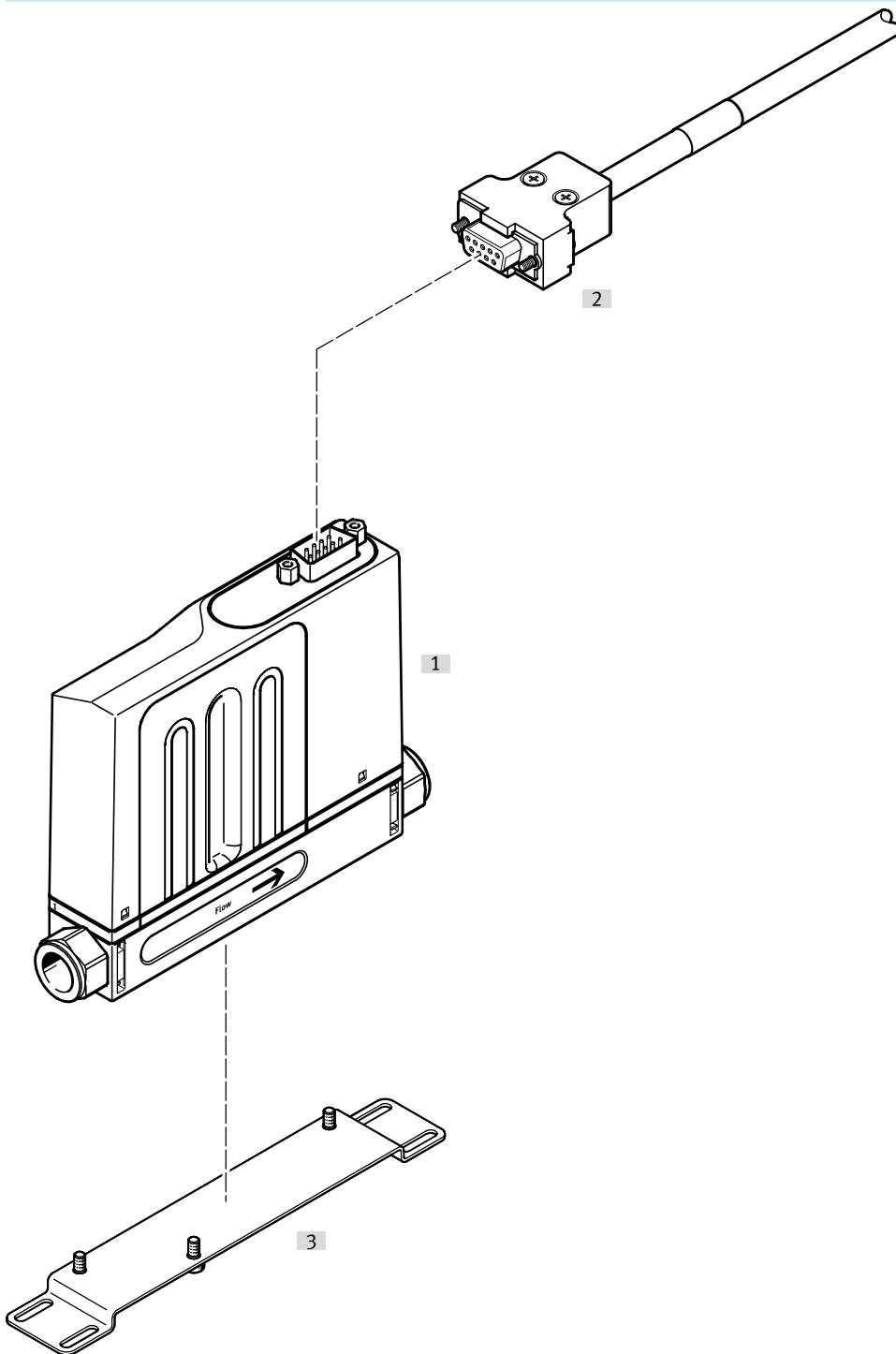
	B1	B2	B3	B4	D1	D2	H1	H2	L1	L2	L3	L4	L5	L6	L7	L8
	±0.1				∅			±0.1	±0.3							
VAME-P20-24-K	24	17	8	8,5	3,5	3,3	6	1	143	109	249	67,1	26,1	119	9,5	3,5

Ordering data

Mass flow controller VEFC				Link vefc
	Pneumatic connection, port 1	Pneumatic connection, port 2	Part no.	Type
	G1/4	G1/4	8204587	VEFC-L-6-200-D31-G14-G14-MRM1
	R1/4	R1/4	8204588	VEFC-L-6-200-D31-R14-R14-MRM1

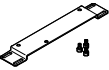
Peripherals

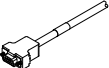
Peripherals overview



Accessories			→ Link
Type/order code	Description		
[1] Mass flow controller	VEFC		vefc
[2] Connecting cable	KMP6-09P-8-...		10
[3] Mounting kit	VAME-P20-24-K		10

Accessories

Mounting kit				
	Dimensions (W x L x H)	Product weight	Part no.	Type
	24 mm x 143 mm x 6 mm	12 g	8210178	VAME-P20-24-K

Connecting cable				
	Product weight	Cable length	Part no.	Type
	248 g	2.5 m	531184	KMP6-09P-8-2,5
	454 g	5 m	531185	KMP6-09P-8-5
	864 g	10 m	531186	KMP6-09P-8-10