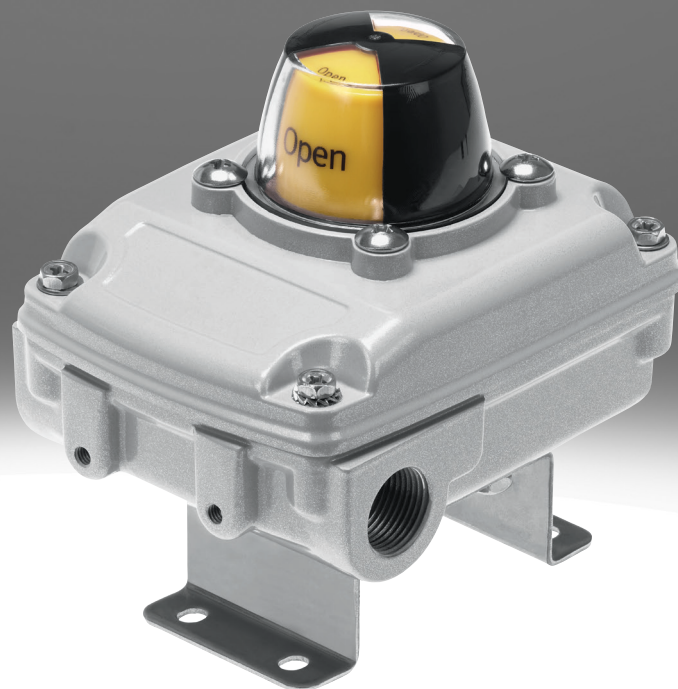


## Limit switch box SRBC

**FESTO**



## Characteristics

### At a glance

Limit switch boxes SRBC are used for electrical feedback and control of the position of process valves actuated using pneumatic quarter turn actuators. They can be mounted quickly and easily on quarter turn actuators with connection pattern according to VDI/VDE 3845 using mounting flange adapters. The sturdy design of the limit switch box SRBC is ideal for the harsh conditions in process automation.

### Product segmentation



Easy and fast to select

Festo Core Range

Solves the majority of your automation tasks

With the Festo Core Range, we have selected the most important products and functions from our broad product catalogue, and added the quickest delivery. The Core Range offers you the best value with the expected high Festo quality.

- Quickest delivery, worldwide – wherever, whenever
- Expected high Festo quality

### Mechanical interface

Using the pre-assembled mounting adapter (80x30 in heights of 20 and 30 mm), the limit switch box can be mounted quickly and easily on quarter turn actuators with port patterns to VDI/VDE 3845. There are also variants without a mounting adapter so that other interfaces and products such as valves or gear units can be operated.

[A3] Mounting adapter, hole pattern 30 x 80 mm, shaft height 20 mm

[A4] Flexible mounting adapter to standard VDI/VDE 3845

[A5] EN ISO 5211 / F05

### Display type

[YR] Position indicator yellow/red

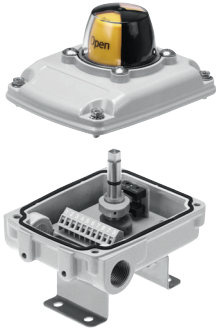


Clearly visible 3D position indicator enables the current position of the quarter turn actuator to be quickly identified

Additional versions of the position indicator (arrow 180°, I version, T version, L version) can be ordered separately as accessories, see the chapter on Peripherals overview

## Characteristics

### Sensor principle



[MW] Floating contact, changeover contact

SRBC-...-MW-22A-1W-...

Switching output contact, toggle switch single-pole (SPDT)

- Switch type Omron SS-5  
SRBC-...-MW-1-1WG-... (also available as ATEX version)  
Switching output contact (gold), toggle switch single-pole (SPDT)
- Switch type Omron D2SW-01L1MS

[N] Proximity sensor, inductive

SRBC-...-N-20N-ZC-... (also available as ATEX version)

Switching output NAMUR, N/C contact

- Switch type P&F NCB2-V3-N0  
SRBC-...-N-1-P-...  
Switching output PNP, N/O contact
- Switch type P&F NBB2-V3-E2  
SRBC-...-N-1-N-...  
Switching output NPN, N/O contact
- Switch type P&F NBB2-V3-E0  
SRBC-...-N-1-ZU-...  
Switching output, contactless, 2-wire, N/O contact
- Switch type P&F NBB3-V3-Z4

[R] With contacts (reed)

SRBC-...-R-2A-1W-...

Switching output contact, toggle switch single-pole (SPDT)

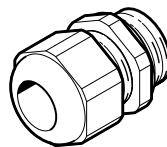
- Switch type Hamlin 59140-030

### Cable connector

Cable connector and blanking plug for the variants SRBC-CA3-... and SRBC-CA4-... are already included in the scope of delivery.

[ ] Without

[P20] M20x1.5, polymer



## Type code

001 Series	
SRBC	Limit switch box SRBC
002 Design	
C	Limit switch boxes
003 Mechanical interface	
A3	Mounting adapter, hole pattern 30 x 80 mm, shaft height 20 mm
A4	Flexible mounting adapter to standard VDI/VDE 3845
A5	EN ISO 5211 / F05
004 Display type	
YR	Position indicator yellow/red
005 Measuring range	
90	0 ... 90°
006 Sensor principle	
MW	Floating contact, changeover contact
N	Proximity sensor, inductive
R	With contacts (reed)

007 Nominal operating voltage	
1	24 V DC
2A	110 V AC/50-60 Hz
20N	8.2 V DC (Namur)
22A	230 V AC
008 Electrical output 1	
1W	1-pin toggle switch
1WG	1-pole changeover switch (gold contact)
N	NPN
P	PNP
ZC	2-wire N/C contact
ZU	2-wire N/O contact
009 Electrical connection	
C2	Screw terminal
M12	Plug M12, A-coded
010 Cable connector	
	Without
P20	M20x1.5, polymer
011 EU certification	
	None
EX6	II 1GD

## Datasheet

**General technical data - Sensor principle [MW] potential-free contact, change-over switch**

Electrical output 1	1-pin toggle switch		1-pole changeover switch (gold contact)
Nominal operating voltage	24 V DC	230 V AC	24 V DC
Dimensions (W x L x H)	127 mm x 111 mm x 122 mm	114 mm x 98 mm x 122 mm 127 mm x 98 mm x 122 mm	114 mm x 98 mm x 122 mm 127 mm x 111 mm x 122 mm 127 mm x 98 mm x 122 mm
Setting range of angular detection	0 ... 90 deg		
Position indicator	Yellow/red		
Housing colour	grey		
Connection point for positioner and position sensor conforms to standard	VDI/VDE 3845 size AA 1 VDI/VDE 3845 size AA 2 VDI/VDE 3845 size AA 3		
Mounting position	optional		
Type of mounting	–	On flange according to ISO 5211	
Product weight	800 g		
Microswitch type	Omron SS-5		Omron D2SW-01L1T

**General technical data - Sensor principle [R] contact (reed)**

Electrical output 1	1-pin toggle switch		
Nominal operating voltage	110 V AC/50-60 Hz		
Dimensions (W x L x H)	127 mm x 98 mm x 122 mm		
Setting range of angular detection	0 ... 90 deg		
Position indicator	Yellow/red		
Housing colour	grey		
Connection point for positioner and position sensor conforms to standard	VDI/VDE 3845 size AA 1		
Mounting position	optional		
Type of mounting	–		
Product weight	800 g		
Microswitch type	Hamlin 59140-030		

**General technical data - Sensor principle [N] proximity switch, inductive**

Electrical output 1	NPN	PNP	2-wire N/C contact	2-wire N/O contact
Nominal operating voltage	24 V DC		8.2 V DC (Namur)	24 V DC
Dimensions (W x L x H)	127 mm x 98 mm x 122 mm	114 mm x 98 mm x 122 mm, 127 mm x 111 mm x 122 mm, 127 mm x 98 mm x 122 mm		127 mm x 98 mm x 122 mm
Setting range of angular detection	0 ... 90 deg			
Position indicator	Yellow/red			
Housing colour	grey			
Connection point for positioner and position sensor conforms to standard	VDI/VDE 3845 size AA 1	VDI/VDE 3845 size AA 1 VDI/VDE 3845 size AA 2 VDI/VDE 3845 size AA 3		VDI/VDE 3845 size AA 1
Mounting position	optional			
Type of mounting	–	On flange according to ISO 5211		–
Product weight	800 g			
Microswitch type	P&F NBB2-V3-E0	P&F NBB2-V3-E2	P&F NCB2-V3-N0	P&F NBB3-V3-Z4

## Datasheet

Electrical characteristics - Sensor principle [MW] potential-free contact, change-over switch			
Electrical output 1	1-pin toggle switch		1-pole changeover switch (gold contact)
Nominal operating voltage	24 V DC	230 V AC	24 V DC
Switching output	Contacting		Contacting (gold)
Measuring principle	Mechanical/electrical		
Switching element function	Toggle switch, single-pole		
Operational voltage range AC	–	0 ... 230 V	–
Max. output current AC	–	3 A	–
Operational voltage range DC	0 ... 30 V		
Max. output current DC	2 A	3 A	100 mA
Max. input voltage Ui	–		30 V
Effective internal inductivity Li	–		Negligibly low
Effective internal capacitance Ci	–		Negligibly low
Max. intrinsically safe circuit input parameter	–		See IECEx certificate See ATEX certificate
Certificate issuing authority	–		FTZU 17 ATEX 0105X GYJ20.1409X IECEx FTZU 17.0017X

Electrical characteristics - Sensor principle [R] contact (reed)	
Electrical output 1	1-pin toggle switch
Nominal operating voltage	110 V AC/50-60 Hz
Switching output	Contacting
Measuring principle	Magnetic reed
Switching element function	Toggle switch, single-pole
Operational voltage range AC	0 ... 120 V
Max. output current AC	0.18 A
Operational voltage range DC	0 ... 175 V
Max. output current DC	0.25 A

Electrical characteristics - sensor principle [N] proximity switch, inductive		
Switching output	NAMUR, NPN, PNP, Non-contacting, 2-wire	NAMUR
Measuring principle	Inductive	
Switching element function	N/C contact, N/O contact	N/C contact
Max. switching frequency	1,000, 2,000	2,000
Operational voltage range DC	5 ... 60 V	8.2 V
Max. input voltage Ui	–	16 V
Max. output current DC	3 ... 100 mA	3 mA
Voltage drop	≤4 V	–
No-load supply current	≤15 mA	–
Off-state current	0 ... 1 mA	0 ... 0.5 mA
Min. load current	4 mA	–
Effective internal inductivity Li	–	100 µH
Effective internal capacitance Ci	–	100 nF
Max. intrinsically safe circuit input parameter <sup>1)</sup>	–	See IECEx certificate See ATEX certificate
Certificate issuing authority	–	FTZU 17 ATEX 0105X GYJ20.1409X IECEx FTZU 17.0017X
Reverse polarity protection	For all electrical connections	–
Short circuit current rating	Pulsed	–

1) More information [www.festo.com/catalogue/srbc](http://www.festo.com/catalogue/srbc) -> Downloads

## Datasheet

Electromechanics - Sensor principle [MW] potential-free contact, change-over switch			
Electrical output 1	1-pin toggle switch		1-pole changeover switch (gold contact)
Electrical connection 1, connector system	M12x1, A-coded to EN 61076-2-101	Spring-loaded terminal	M12x1, A-coded to EN 61076-2-101
Max. output current DC	2 A	3 A	100 mA
Cable fitting	–	M20x1.5	–
Permissible cable diameter	5 ... 13 mm		6 ... 12 mm
Electrical connection 1, connection type	Plugs	Terminal strip	Plugs
Electrical connection 1, cable outlet	Straight		
Electrical connection 1, design	Round	–	Round
Electrical connection 1, number of connections/cores	8	10	8
Electrical connection 1, used connections/cores	8		
Connectable nominal cross section conductor	0.25 ... 2.5 mm <sup>2</sup>		
Material cable gland	–	PA	–
Material blanking plug	–	PA	–

Electromechanics - Sensor principle [R] contacting (reed)	
Electrical output 1	1-pin toggle switch
Nominal operating voltage	110 V AC/50-60 Hz
Cable fitting	M20x1.5
Permissible cable diameter	5 ... 13 mm
Electrical connection	Screw terminal
Electrical connection 1, connection type	Terminal strip
Electrical connection 1, cable outlet	Straight
Electrical connection 1, connector system	Spring-loaded terminal
Electrical connection 1, number of connections/cores	10
Electrical connection 1, used connections/cores	8
Connectable nominal cross section conductor	0.25 ... 2.5 mm <sup>2</sup>
Material cable gland	PA
Material blanking plug	PA

Electromechanics - Sensor principle [N] proximity switch, inductive	
Switching output	NAMUR, NPN, PNP, Non-contacting, 2-wire
Cable fitting	M20x1.5
Permissible cable diameter	5 ... 13 mm
Electrical connection	M12 Screw terminal
Connectable nominal cross section conductor	0.25 ... 2.5 mm <sup>2</sup>
Material cable gland	PA
Material blanking plug	PA

## Datasheet

Operating and environmental conditions - sensor principle [MW] potential-free contact, change-over switch		
Switching output	Contacting	Contacting (gold)
Ambient temperature	-20 ... 80°C	-40 ... 80°C
Storage temperature	-20 ... 50°C	
Degree of protection	IP67 NEMA 4/4X	IP66
Shock resistance <sup>1)</sup>	Shock test with severity level 2 to FN 942017-5 and EN 60068-2-27	
Vibration resistance <sup>2)</sup>	Transport application test with severity level 2 to FN 942017-4 and EN 60068-2-6	
Corrosion resistance class CRC	0 - No corrosion stress	
Pollution degree	3	
Safety Integrity Level (SIL)	SIL 2	
CE mark (see declaration of conformity) <sup>3)</sup>	To EU EMC Directive To EU Low Voltage Directive In accordance with EU RoHS Directive	To EU EMC Directive To EU Explosion Protection Directive (ATEX) In accordance with EU RoHS Directive
UKCA marking (see declaration of conformity)	To UK instructions for EMC, To UK RoHS instructions, To UK regulations for electrical equipment	To UK instructions for EMC, To UK EX instructions, To UK RoHS instructions
KC mark	KC-EMV	-
Approval	c CSA us (OL)	-
ATEX category gas	-	II 1G
Explosion ignition protection type for gas	-	Ex ia IIC T6...T1 Ga
ATEX category dust	-	II 1D
Explosion ignition protection type for dust	-	Ex i IIIC Txx°C Da
Explosion ambient temperature	-	See ATEX certificate See IECEx certificate
Explosion protection certification outside the EU	-	EPL Da (CN) EPL Da (GB) EPL Da (IECEX) EPL Ga (CN) EPL Ga (GB) EPL Ga (IEC-EX)

1) Only for mechanical interface SRBC-CA3-...

2) Only for mechanical interface SRBC-CA3-...

3) More information [www.festo.com/catalogue/srbc](http://www.festo.com/catalogue/srbc) -> Downloads



## Datasheet

Operating and environmental conditions - sensor principle [R] contacting (reed)	
Switching output	Contacting
Ambient temperature	-20 ... 80°C
Storage temperature	-20 ... 50°C
Degree of protection	IP67 NEMA 4/4X
Shock resistance <sup>1)</sup>	Shock test with severity level 2 to FN 942017-5 and EN 60068-2-27
Vibration resistance <sup>2)</sup>	Transport application test with severity level 2 to FN 942017-4 and EN 60068-2-6
Corrosion resistance class CRC	0 - No corrosion stress
Pollution degree	3
Safety Integrity Level (SIL)	SIL 2
CE mark (see declaration of conformity) <sup>3)</sup>	To EU Low Voltage Directive In accordance with EU RoHS Directive
UKCA marking (see declaration of conformity)	To UK RoHS instructions, To UK regulations for electrical equipment
KC mark	KC-EMV
Approval	c CSA us (OL)
ATEX category gas	–
Explosion ignition protection type for gas	–
ATEX category dust	–
Explosion ignition protection type for dust	–
Explosion ambient temperature	–
Explosion protection certification outside the EU	–

1) Only for mechanical interface SRBC-CA3...

2) Only for mechanical interface SRBC-CA3...

3) More information [www.festo.com/catalogue/srbc](http://www.festo.com/catalogue/srbc) → Downloads

## Datasheet

**Operating and environmental conditions - sensor principle [N] proximity switch, inductive**

Switching output	NAMUR	NPN	PNP	Non-contacting, 2-wire
Ambient temperature	-20 ... 80°C	-20 ... 70°C	-20 ... 80°C	
Storage temperature	-20 ... 50°C			
Degree of protection	IP67 NEMA 4/4X			
Shock resistance <sup>1)</sup>	Shock test with severity level 2 to FN 942017-5 and EN 60068-2-27			
Vibration resistance <sup>2)</sup>	Transport application test with severity level 2 to FN 942017-4 and EN 60068-2-6			
Corrosion resistance class CRC	0 - No corrosion stress			
Pollution degree	3			
CE mark (see declaration of conformity) <sup>3)</sup>	To EU EMC Directive To EU Explosion Protection Directive (ATEX) In accordance with EU RoHS Directive	To EU EMC Directive In accordance with EU RoHS Directive		
UKCA marking (see declaration of conformity)	To UK instructions for EMC, To UK EX instructions, To UK RoHS instructions		To UK instructions for EMC, To UK RoHS instructions	
KC mark	KC-EMV			
Approval	RCM trademark c CSA us (OL)			
ATEX category gas	II 1G	-		
Explosion ignition protection type for gas	Ex ia IIC T6...T1 Ga	-		
ATEX category dust	II 1D	-		
Explosion ignition protection type for dust	Ex i IIIC Txx°C Da	-		
Explosion ambient temperature	See ATEX certificate See IECEx certificate	-		
Explosion protection certification outside the EU	EPL Da (CN) EPL Da (GB) EPL Da (IECEx) EPL Ga (CN) EPL Ga (GB) EPL Ga (IEC-EX)	-		
Safety Integrity Level (SIL)	SIL 2			

1) Only for mechanical interface SRBC-CA3-...

2) Only for mechanical interface SRBC-CA3-...

3) More information [www.festo.com/catalogue/srbc](http://www.festo.com/catalogue/srbc) → Downloads

**Materials - Sensor principle [MW] potential-free contact, change-over switch**

Switching output	Contacting, Contacting (gold)
Material housing	Die-cast aluminium
Material cover cap	PC
Material mounting bracket	High-alloy stainless steel
Material shaft	High-alloy stainless steel
Material snap ring	High-alloy stainless steel
Material disc	High-alloy stainless steel
Material screws	High-alloy stainless steel
Material seals	NBR, VMQ (silicone)
Material indicator	PC
Note on materials	RoHS-compliant
LABS (PWIS) conformity	VDMA24364 zone III

## Datasheet

**Materials - Sensor principle [R] contacting (reed)**

Material housing	Die-cast aluminium
Material cover cap	PC
Material mounting bracket	High-alloy stainless steel
Material shaft	High-alloy stainless steel
Material snap ring	High-alloy stainless steel
Material disc	High-alloy stainless steel
Material screws	High-alloy stainless steel
Material seals	NBR
Material indicator	PC
Note on materials	RoHS-compliant
LABS (PWIS) conformity	VDMA24364 zone III

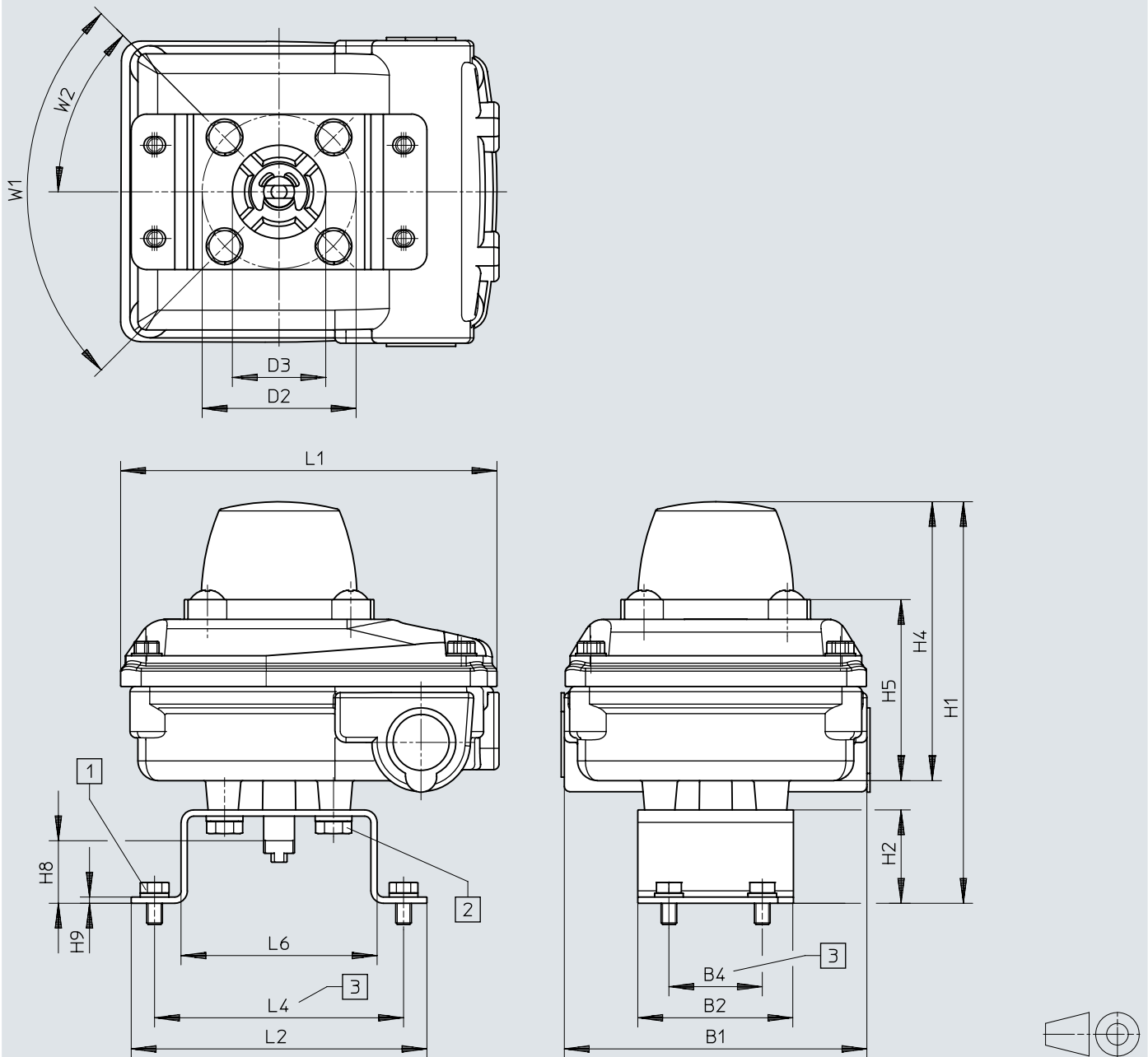
**Materials - Sensor principle [N] proximity switch, inductive**

Material housing	Die-cast aluminium
Material cover cap	PC
Material mounting bracket	High-alloy stainless steel
Material shaft	High-alloy stainless steel
Material snap ring	High-alloy stainless steel
Material disc	High-alloy stainless steel
Material screws	High-alloy stainless steel
Material seals	NBR
Material indicator	PC
Note on materials	RoHS-compliant
LABS (PWIS) conformity	VDMA24364 zone III

## Dimensions

Dimensions – SRBC-CA3-... with pre-assembled mounting adapter, hole pattern 30x80 mm

Download CAD data [www.festo.com](http://www.festo.com)



- [1] Screw ISO 4017 M5x8
- [2] Screw GB9074.12 M6x10
- [3] To VDI/VDE 3845

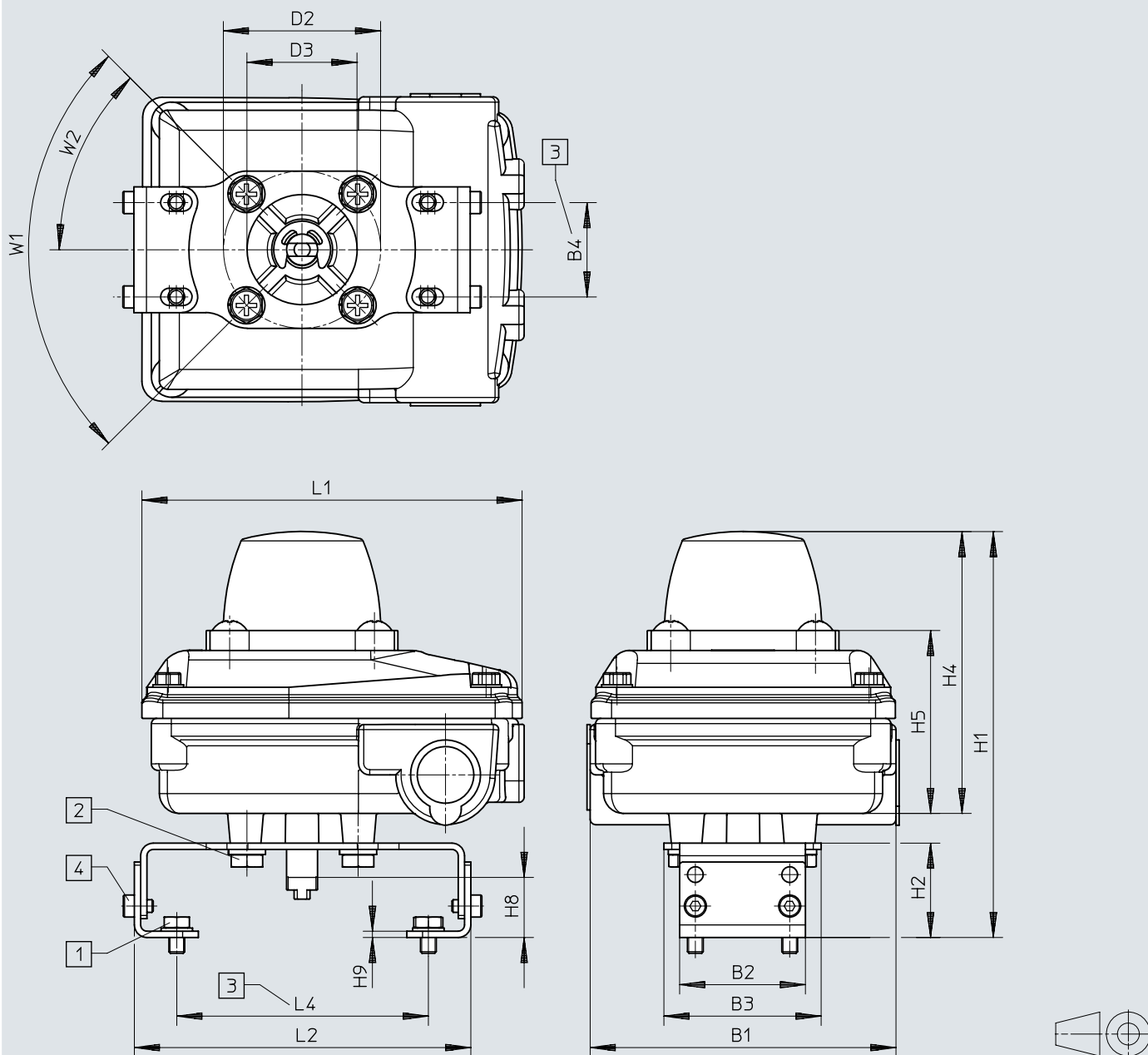
## Dimensions

		B1	B2	B4	D2 ∅	D3 ∅	H1	H2 +0,5	H4	
SRBC-CA3-YR90-...	DARQ-K-X1-A1-F05-20-R1	98	50	30	50	30	129	30	90	
	DARQ-K-X1-A1-F05-30-R1						139	40		
		H5	H8	H9	L1	L2	L4	L6	W1	W2
SRBC-CA3-YR90-...	DARQ-K-X1-A1-F05-20-R1	58,2	20	2	120	95	80	63	90°	45°
	DARQ-K-X1-A1-F05-30-R1		30							

## Dimensions

Dimensions – SRBC-CA4-... with pre-assembled flexible mounting adapter, 30x80 mm or 30x130 mm

Download CAD data [www.festo.com](http://www.festo.com)



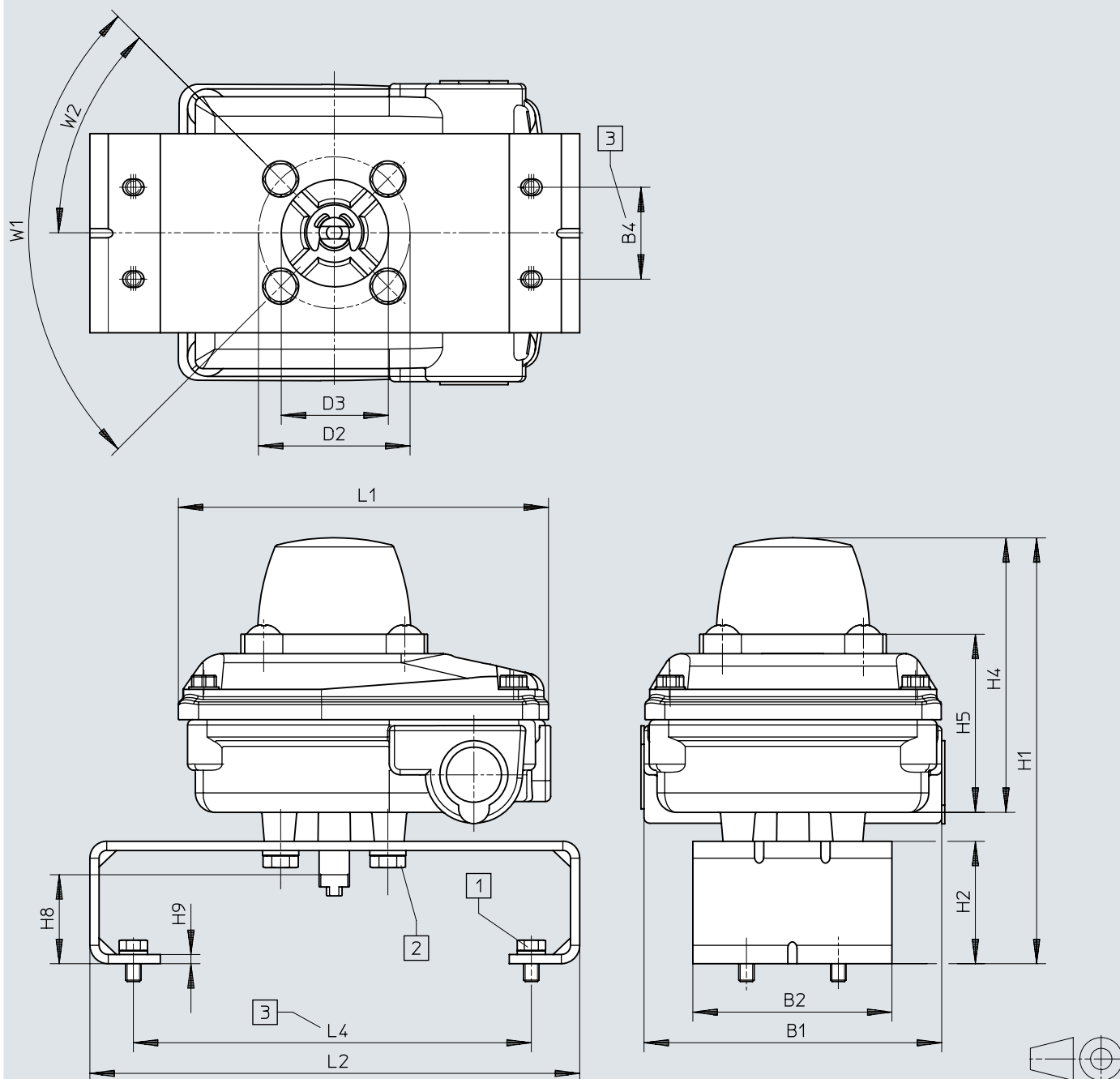
- [1] Screw ISO 4017 M5x8
- [2] Screw GB9074.12 M6x10
- [3] To VDI/VDE 3845
- [4] Screw ISO 4762 M4x6

		B1	B2	B3	B4	D2 ∅	D3 ∅	H1	H2 +0,5	H4	H5	H8 +0,5	H9	L1	L2	L4	W1	W2
SRBC-CA4-YR90-...	DARQ-K-X1-A3-F05-20-R1	98	40	50	30	50	35	129	30	90	58,2	19,1	2	120	107	80	90°	45°

## Dimensions

Dimensions – SRBC-CA5-..., mounting adapter according to EN ISO 5211/F05  
can be ordered as an accessory

Download CAD data [www.festo.com](http://www.festo.com)



- [1] Screw ISO 4017 M5x8
- [2] Screw GB9074.12 M6x10
- [3] To VDI/VDE 3845

## Dimensions

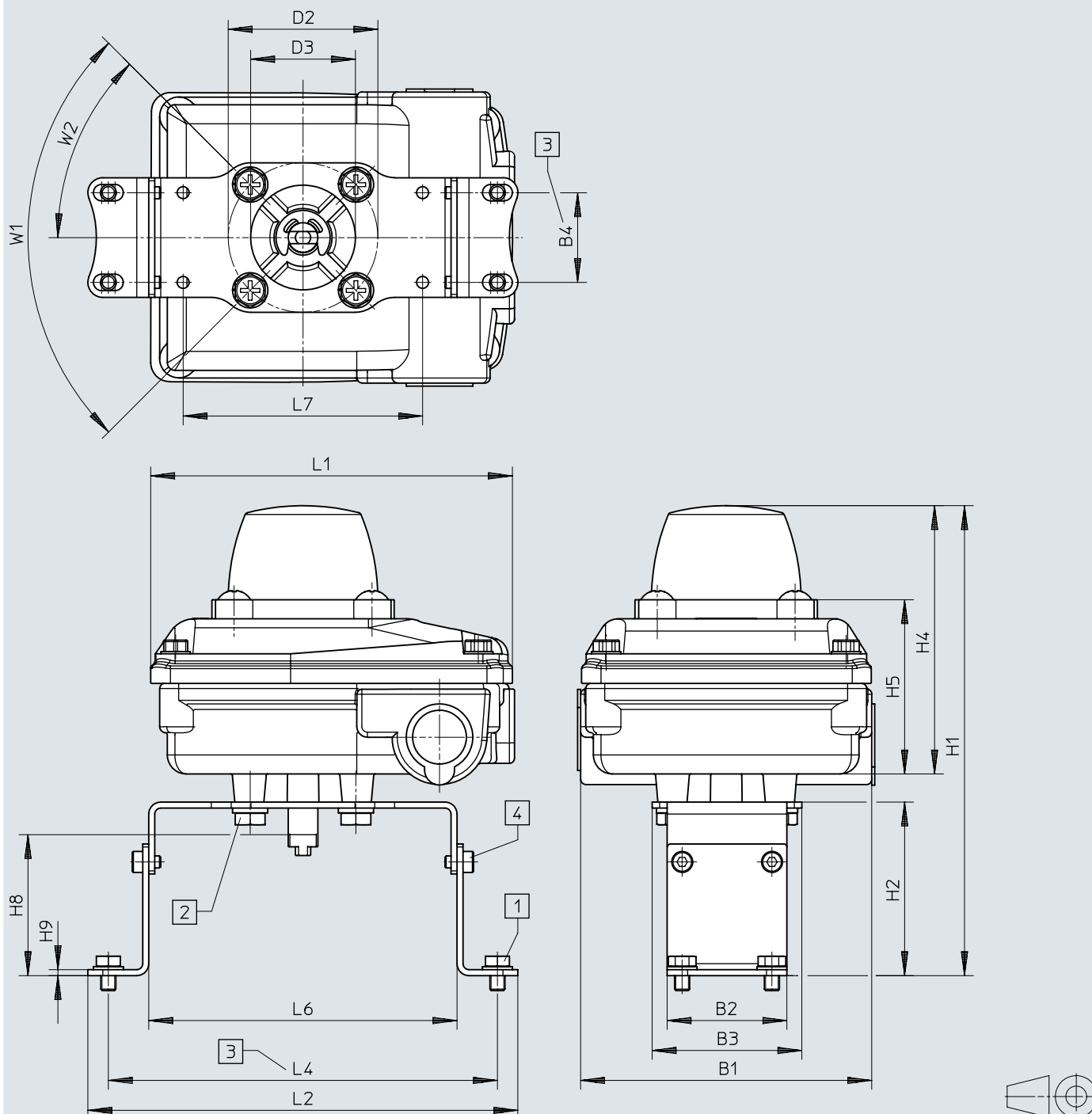
		B1	B2	B4	D2 ∅	D3 ∅	H1	H2 +0,5	H4
SRBC-CA5-YR90-...	DARQ-K-X1-A2-F05-30-R1	98	65	30	50	35	139	40	90
		H5	H8	H9	L1	L2	L4	W1	W2
SRBC-CA5-YR90-...	DARQ-K-X1-A2-F05-30-R1	58,2	30	3	120	160	130	90°	45°



## Dimensions

Dimensions – SRBC-CA5-..., mounting adapter according to EN ISO 5211/F05  
can be ordered as an accessory

Download CAD data [www.festo.com](http://www.festo.com)



- [1] Screw ISO 4017 M5x8
- [2] Screw GB9074.12 M6x10
- [3] To VDI/VDE 3845
- [4] Screw ISO 4762 M4x6

## Dimensions

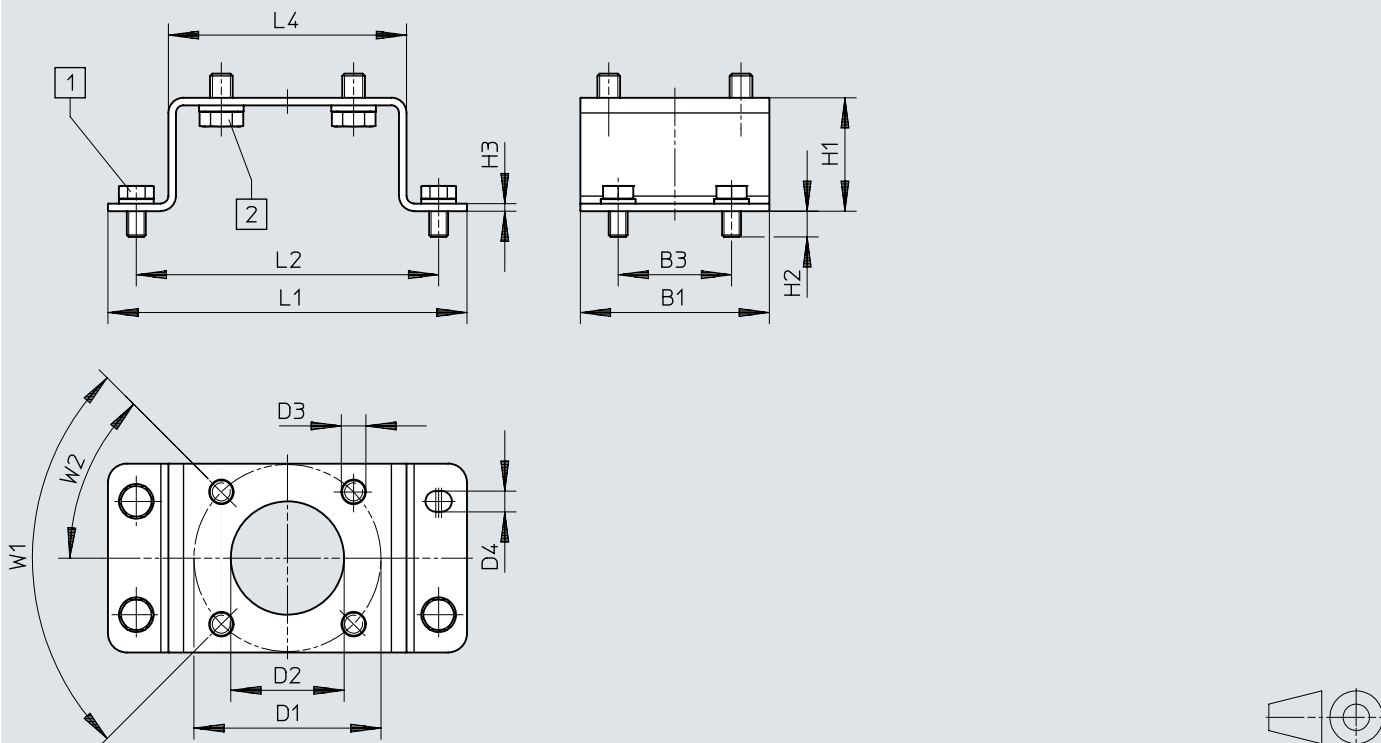
		B1	B2	B3	B4	D2 ∅	D3 ∅	H1	H2 +0,5	H4	H5
SRBC-CA5-YR90-...	DARQ-K-X1-A3-F05-50-R1	98	40	50	30	50	35	157	58	90	58,2

		H8 +0,5	H9	L1	L2	L4	L6	L7	W1	W2
SRBC-CA5-YR90-...	DARQ-K-X1-A3-F05-50-R1	47,1	2	120	143,7	130	103	80	90°	45°

## Dimensions

### Dimensions – Mounting adapter DARQ-K-X1-A1-F05-...-R1

Download CAD data [www.festo.com](http://www.festo.com)



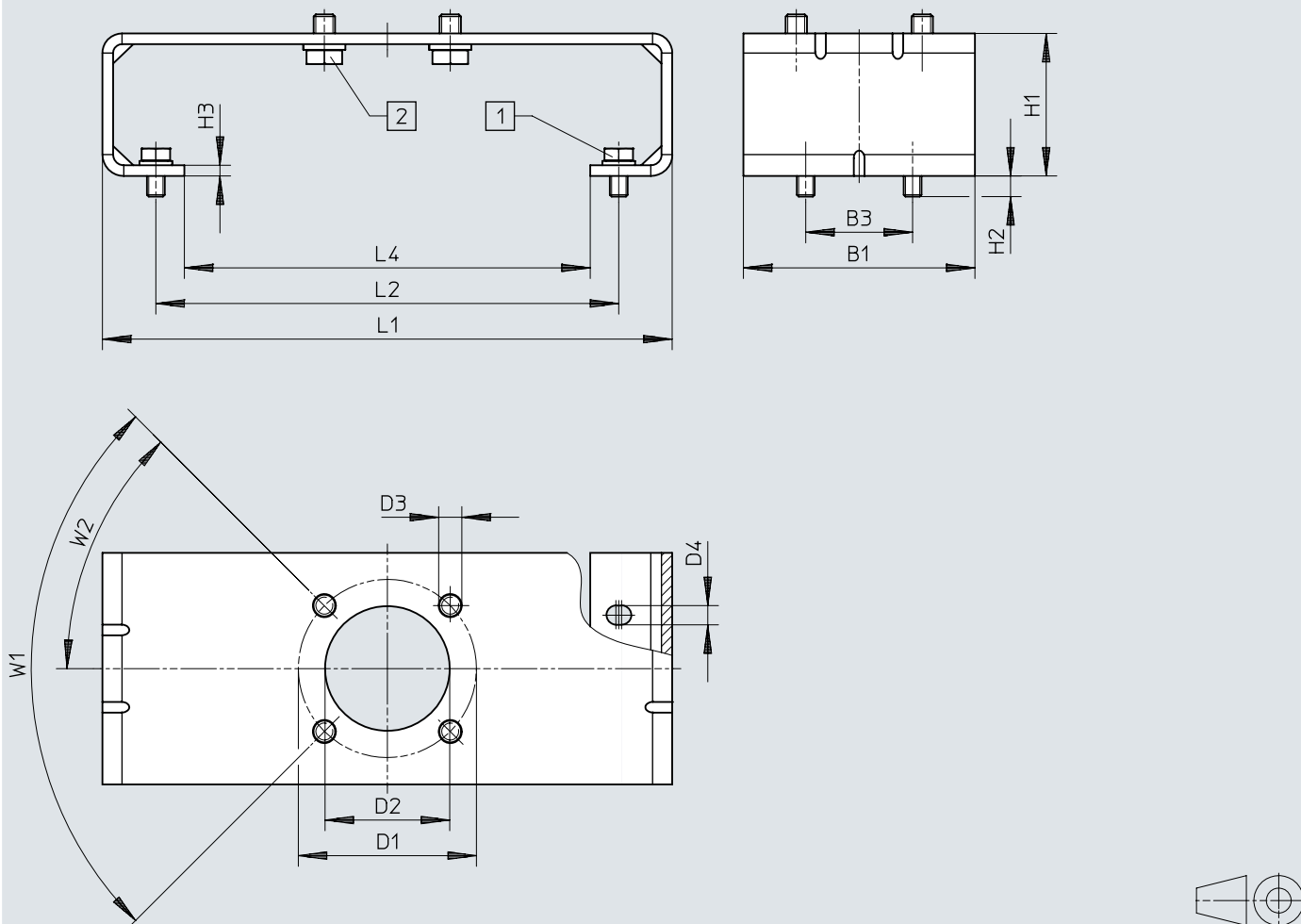
- [1] Screw, M5x8 (4x)
- [2] Screw, M6x10 (4x)

	B1	B3	D1 ∅	D2 ∅	D3 ∅	D4 ∅	H1 +0,5	H2	H3	L1	L2	L4	W1	W2
DARQ-K-X1-A1-F05-20-R1	50	30	50	30	6,5	5,5	30	6,8	2	95	80	63	90°	45°
DARQ-K-X1-A1-F05-30-R1							40							

## Dimensions

Dimensions – Mounting adapter DARQ-K-X1-A2-F05-30-R1

Download CAD data [www.festo.com](http://www.festo.com)



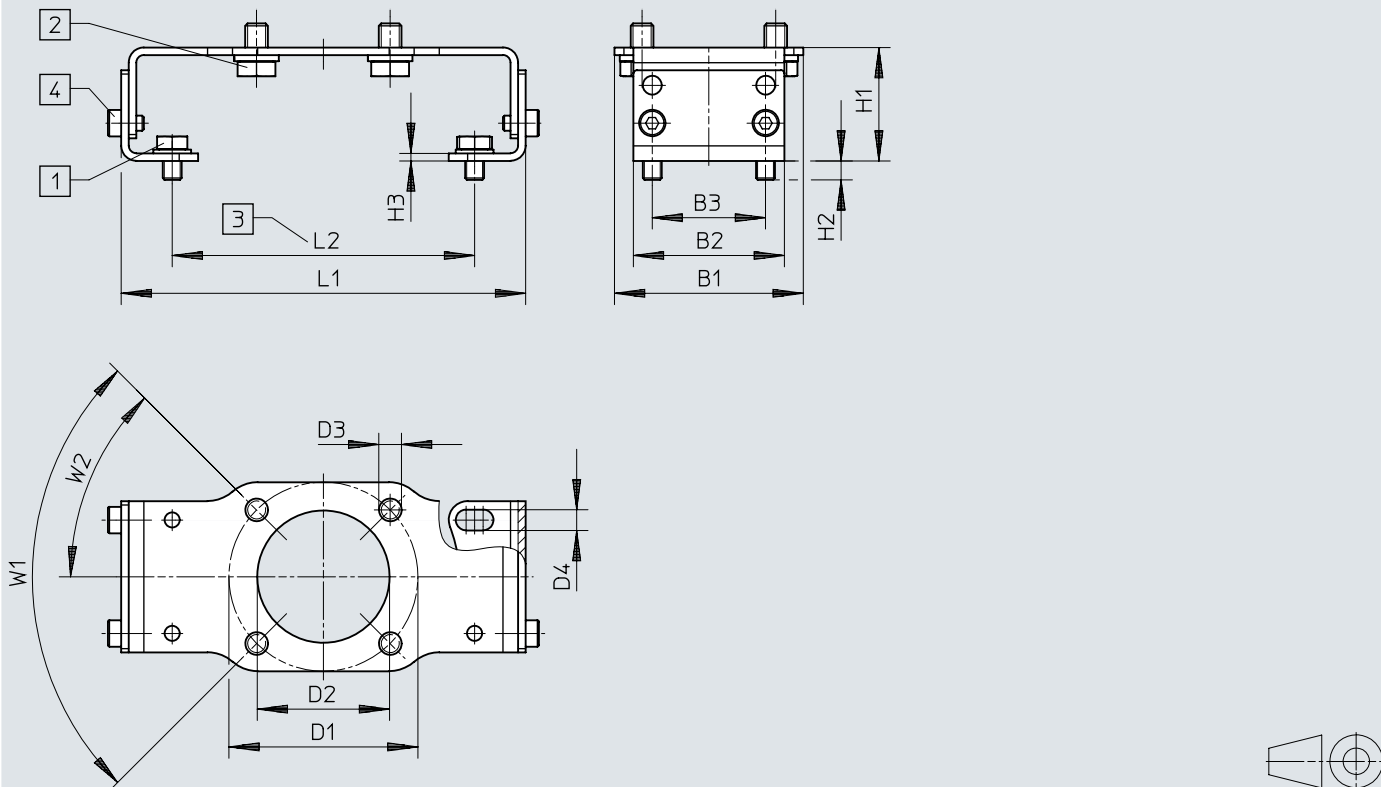
- [1] M5x10 screw
- [2] M6x10 screw

	B1	B3	D1 ∅	D2 ∅	D3 ∅	D4 ∅	H1 +0,5	H2	H3	L1	L2	L4	W1	W2
DARQ-K-X1-A2-F05-30-R1	65	30	50	35	6,5	5,4	40	5,8	3	160	130	114	90°	45°

## Dimensions

### Dimensions – Mounting adapter DARQ-K-X1-A3-F05-20-R1

Download CAD data [www.festo.com](http://www.festo.com)



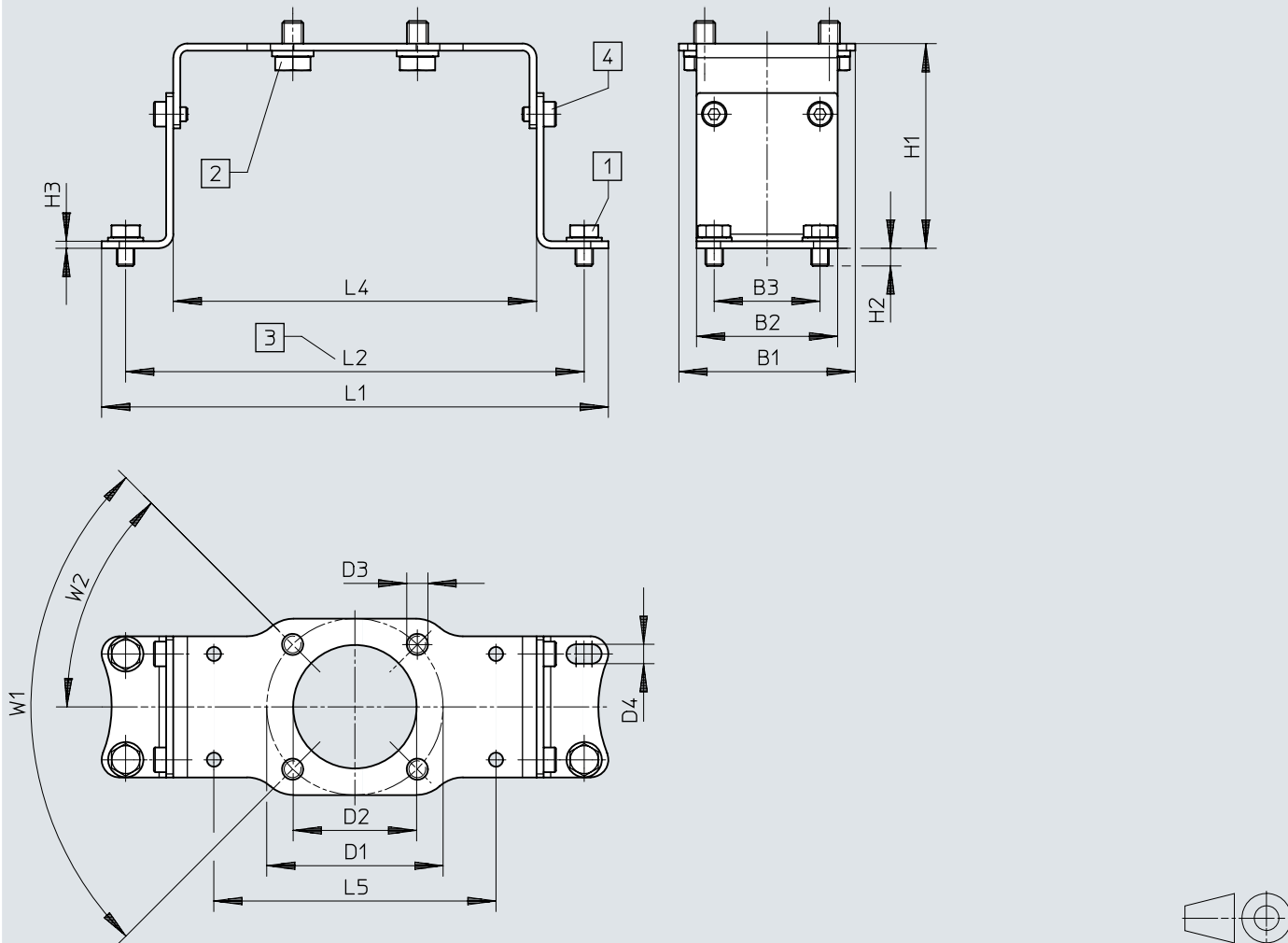
- [1] Screw ISO 4017 M5x8
- [2] Screw GB9074.12 M6x10
- [3] Hole pattern F05 to VDI/VDE 3845, 130 mm with externally mounted mounting brackets
- [4] Screw ISO 4762 M4x6

	B1	B2	B3	D1 ∅	D2 ∅	D3 ∅	D4 ∅	H1 +0,5	H2	H3	L1	L2	W1	W2
DARQ-K-X1-A3-F05-20-R1	50	40	30	50	35	6	5,5	30	5	2	107	80	90°	45°

## Dimensions

Dimensions – Mounting adapter DARQ-K-X1-A3-F05-50-R1


Download CAD data [www.festo.com](http://www.festo.com)




- [1] Screw ISO 4017 M5x8
- [2] Screw GB9074.12 M6x10
- [3] Hole pattern F05 to VDI/VDE 3845, 80 mm with internally mounted mounting brackets
- [4] Screw ISO 4762 M4x6


	B1	B2	B3	D1 ∅	D2 ∅	D3 ∅	D4 ∅	H1	H2	H3	L1	L2	L4	L5	W1	W2
DARQ-K-X1-A3-F05-50-R1	50	40	30	50	35	6	5,5	58 +0,5	5	2	143,7	130	103	80	90°	45°

## Ordering data

Sensor principle [MW] potential-free contact, change-over switch										
	Nominal operating voltage	Electrical output 1	Mechanical interface	Cable connector	EU certification	Part no.	Type			
	24 V DC	1-pin toggle switch	Mounting adapter, hole pattern 30 x 80 mm, shaft height 20 mm	Without	None	8137098	SRBC-CA3-YR90-MW-1-1W-M12			
			Flexible mounting adapter to standard VDI/VDE 3845			8137102	SRBC-CA4-YR90-MW-1-1W-M12			
		1-pole changeover switch (gold contact)	Mounting adapter, hole pattern 30 x 80 mm, shaft height 20 mm			II 1GD	8137099	SRBC-CA3-YR90-MW-1-1WG-M12		
			Flexible mounting adapter to standard VDI/VDE 3845				8137093	SRBC-CA3-YR90-MW-1-1WG-C2-EX6		
			EN ISO 5211 / F05				8137095	SRBC-CA4-YR90-MW-1-1WG-C2-EX6		
							8137104	SRBC-CA5-YR90-MW-1-1WG-C2-EX6		
		230 V AC	1-pin toggle switch			Mounting adapter, hole pattern 30 x 80 mm, shaft height 20 mm	M20x1.5, polymer	None	★ 3482805	SRBC-CA3-YR90-MW-22A-1W-C2P20
						Flexible mounting adapter to standard VDI/VDE 3845	Without		8137094	SRBC-CA4-YR90-MW-22A-1W-C2
						EN ISO 5211 / F05	★ 8137103		SRBC-CA5-YR90-MW-22A-1W-C2	

Sensor principle [R] contacting (reed)							
	Nominal operating voltage	Electrical output 1	Mechanical interface	Cable connector	EU certification	Part no.	Type
	110 V AC/50-60 Hz	1-pin toggle switch	Mounting adapter, hole pattern 30 x 80 mm, shaft height 20 mm	M20x1.5, polymer	None	3482811	SRBC-CA3-YR90-R-2A-1W-C2P20

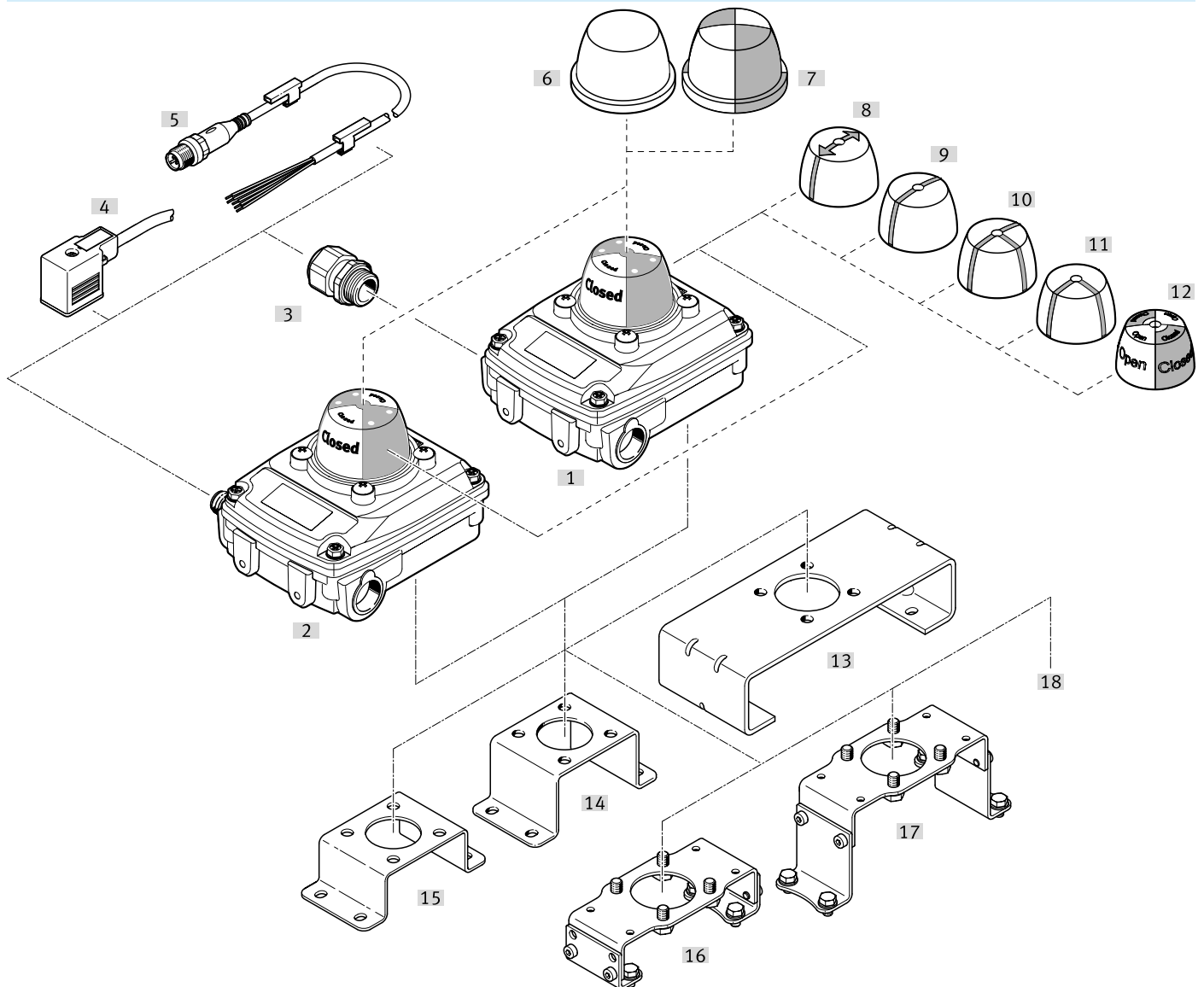
Ordering data

Inductive							
	Nominal operating voltage	Electrical output 1	Mechanical interface	Cable connector	EU certification	Part no.	Type
	24 V DC	NPN	Mounting adapter, hole pattern 30 x 80 mm, shaft height 20 mm	M20x1.5, polymer	None	3482809	SRBC-CA3-YR90-N-1-N-C2P20
		PNP		Without		8137101	SRBC-CA3-YR90-N-1-P-M12
			M20x1.5, polymer	★ 3482808		SRBC-CA3-YR90-N-1-P-C2P20	
			Without	8137097		SRBC-CA4-YR90-N-1-P-C2	
			Flexible mounting adapter to standard VDI/VDE 3845	8137106		SRBC-CA5-YR90-N-1-P-C2	
		EN ISO 5211 / F05					
	8.2 V DC (Naur)	2-wire N/O contact	Mounting adapter, hole pattern 30 x 80 mm, shaft height 20 mm	M20x1.5, polymer	II 1GD	3482810	SRBC-CA3-YR90-N-1-ZU-C2P20
		2-wire N/C contact		Without		8137100	SRBC-CA3-YR90-N-20N-ZC-M12
			M20x1.5, polymer	★ 3482807		SRBC-CA3-YR90-N-20N-ZC-C2P20-EX6	
			Without	8137096		SRBC-CA4-YR90-N-20N-ZC-C2-EX6	
			Flexible mounting adapter to standard VDI/VDE 3845	8137105		SRBC-CA5-YR90-N-20N-ZC-C2-EX6	
		EN ISO 5211 / F05					



## Peripherals

## Peripherals overview

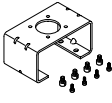


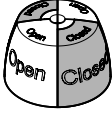
Accessories		→ Link
Type/order code	Description	
[1] Limit switch box SRBC	<ul style="list-style-type: none"> <li>Measuring principle electromechanical and magnetic reed</li> <li>Inductive</li> </ul>	<a href="#">srbc</a>
[2] Limit switch box SRBC...-M12	Electrical connection M12 plug, A-coded	<a href="#">srbc</a>
[3] Cable connector NETC-P-M20	<ul style="list-style-type: none"> <li>For limit switch box variants SRBC...-M12...</li> <li>M20x1.5 polymer cable connector included in the scope of delivery of the limit switch box</li> <li>Additional cable connectors can be ordered separately as accessories</li> </ul>	<a href="#">28</a>
[4] Connecting cables NEBV	<ul style="list-style-type: none"> <li>For valve connection for limit switch boxes with terminal connection</li> <li>Angled socket, plug pattern type A, EN 175301-803 or plug pattern type B, according to industrial standard 11 mm</li> <li>Can be ordered separately as an accessory</li> </ul>	<a href="#">28</a>
[5] Connecting cables NEBU	<ul style="list-style-type: none"> <li>For valve connection for limit switch boxes with terminal connection</li> <li>Angled socket, plug pattern type B according to industry standard, 11 mm</li> <li>Can be ordered separately as an accessory</li> </ul>	<a href="#">28</a>
[6] Protective cap SACC-S4-TT	Mounted on the SRBC and protects the position indicator SASF	<a href="#">28</a>
[7] Protective cap SACC-S4-T	Mounted on the SRBC and protects the position indicator SASF	<a href="#">28</a>
[8] Position indicator SASF-S4-EN-A1	Arrow, 180°	<a href="#">27</a>
[9] Position indicator SASF-S4-EN-A2	I-version	<a href="#">27</a>
[10] Position indicator SASF-S4-EN-A3	T-version	<a href="#">27</a>
[11] Position indicator SASF-S4-EN-A4	L-version	<a href="#">27</a>
[12] Position indicator SASF-S4-EN	Yellow/red	<a href="#">27</a>

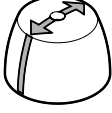
## Peripherals

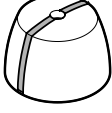
Accessories		→ Link
Type/order code	Description	
[13] Mounting adapter DARQ-KX1-A2-F05-30-R1	<ul style="list-style-type: none"> <li>Mounting adapter for mounting limit switch boxes on semi-rotary drives with hole pattern 30x130 mm, shaft height 30 mm</li> <li>Can be ordered separately as an accessory</li> </ul>	<a href="#">27</a>
[14] Mounting adapter DARQ-KX1-A1-F05-30-R1	<ul style="list-style-type: none"> <li>Mounting adapter for mounting limit switch boxes on semi-rotary drives with hole pattern 30x80 mm, shaft height 30 mm</li> <li>Can be ordered separately as an accessory</li> </ul>	<a href="#">27</a>
[15] Mounting adapter DARQ-KX1-A1-F05-20-R1	<ul style="list-style-type: none"> <li>For limit switch box variants SRBC-CA3-... included in the scope of delivery and pre-assembled</li> <li>Mounting adapter for mounting limit switch boxes on semi-rotary drives with hole pattern 30x80 mm, shaft height 20 mm</li> </ul>	<a href="#">27</a>
[16] Mounting adapter DARQ-KX1-A3-F05-20-R1	<ul style="list-style-type: none"> <li>For limit switch box variants SRBC-CA4-... included in the scope of delivery and pre-assembled</li> <li>Mounting adapter for mounting limit switch boxes on semi-rotary drives with hole pattern 30x80 or 30x130 mm, shaft height 20 mm</li> </ul>	<a href="#">27</a>
[17] Mounting adapter DARQ-KX1-A3-F05-50-R1	<ul style="list-style-type: none"> <li>Mounting adapter for mounting limit switch boxes on semi-rotary drives with hole pattern 30x80 or 30x130 mm, shaft height 50 mm</li> <li>Can be ordered separately as an accessory</li> </ul>	<a href="#">27</a>
[18] Mechanical interface according to ISO 5211/ flange hole pattern F05	<ul style="list-style-type: none"> <li>For limit switch box variants SRBC-CA5-...</li> <li>Electrical connection screw terminal</li> <li>Without cable connector and blanking plug</li> <li>Without pre-assembled mounting adapter</li> </ul>	<a href="#">srbc</a>

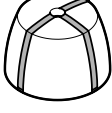
## Accessories

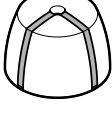
Mounting adapter DARQ						
	Connection point for positioner and position sensor conforms to standard	Size	Product weight	Part no.	Type	
	VDI/VDE 3845 size AA 1	20	113 g	★ 3636269	DARQ-K-X1-A1-F05-20-R1	
	VDI/VDE 3845 size AA 1, VDI/VDE 3845 size AA 2, VDI/VDE 3845 size AA 3		148 g	8137187	DARQ-K-X1-A3-F05-20-R1	
	VDI/VDE 3845 size AA 2	30	129 g	★ 3636270	DARQ-K-X1-A1-F05-30-R1	
	VDI/VDE 3845 size AA 3		397 g	3886114	DARQ-K-X1-A2-F05-30-R1	
	VDI/VDE 3845 size AA 4		174 g	8137188	DARQ-K-X1-A3-F05-50-R1	

Position indicator SASF-S4-EN						
	Position indicator	Ambient temperature	Material cap	Note on materials	Part no.	Type
	Yellow/red	-40 ... 80 °C	PA	RoHS-compliant	8137192	SASF-S4-DE

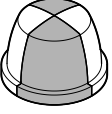
Position indicator SASF-S4-EN-A1						
	Position indicator	Ambient temperature	Material cap	Note on materials	Part no.	Type
	Arrow, 180°	-40 ... 80 °C	PA	RoHS-compliant	8137191	SASF-S4-DE-A1

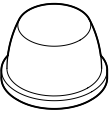
Position indicator SASF-S4-EN-A2						
	Position indicator	Ambient temperature	Material cap	Note on materials	Part no.	Type
	I-version	-40 ... 80 °C	PA	RoHS-compliant	8137190	SASF-S4-DE-A2

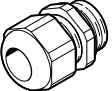
Position indicator SASF-S4-EN-A3						
	Position indicator	Ambient temperature	Material cap	Note on materials	Part no.	Type
	T-version	-40 ... 80 °C	PA	RoHS-compliant	8137195	SASF-S4-DE-A3

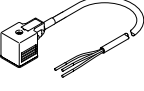
Position indicator SASF-S4-EN-A4						
	Position indicator	Ambient temperature	Material cap	Note on materials	Part no.	Type
	L-version	-40 ... 80 °C	PA	RoHS-compliant	8137189	SASF-S4-DE-A4


## Accessories

Protective cap SACC-S4-T						
	Colour	Material cover cap	Note on materials	LABS (PWIS) conformity	Part no.	Type
	Transparent black	PC	RoHS-compliant	VDMA24364 zone III	<b>8137193</b>	<b>SACC-S4-T</b>

Protective cap SACC-S4-T-T						
	Colour	Material cover cap	Note on materials	LABS (PWIS) conformity	Part no.	Type
	Transparent	PC	RoHS-compliant	VDMA24364 zone III	<b>8137194</b>	<b>SACC-S4-T-T</b>

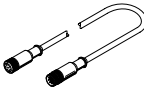
Cable connector NETC				
	Connection technology 1	Note on materials	Part no.	Type
	M20x1.5	RoHS-compliant	<b>8151587</b> <b>4464895</b> <b>568279</b>	<b>NETC-M20-PBU-T26-EX4-E</b> <b>NETC-P-M20</b> <b>NETC-M-M20-KA</b>

Connecting cables NEBV							
	Electrical connection 1, connection type	Electrical connection 1, cable outlet	Electrical connection 1, connector system	Cable length	Additional functions	Part no.	Type
	Socket	Angled	Connection pattern type A based on EN 175301-803	0.6 m		<b>3579466</b>	<b>NEBV-A1W3-K-0.6-N-LE3</b>
					Protective circuit	<b>3679776</b>	<b>NEBV-A1W3F-P-K-0.6-N-LE3</b>
						<b>3579468</b>	<b>NEBV-B2W3-K-0.6-N-LE3</b>
					Protective circuit	<b>3679778</b>	<b>NEBV-B2W3F-P-K-0.6-N-LE3</b>

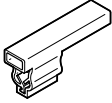
Plug socket with cable 8-pin, M12 – open cable end, 8-core					
	Cable characteristic	Cable length	Electrical connection 1, cable outlet <sup>1)</sup>	Part no.	Type
	Standard	2 m	Straight	<b>525616</b>	<b>SIM-M12-8GD-2-PU</b>
			Angled	<b>542256</b>	<b>NEBU-M12W8-K-2-N-LE8</b>
		5 m	Straight	<b>525618</b>	<b>SIM-M12-8GD-5-PU</b>
			Angled	<b>542257</b>	<b>NEBU-M12W8-K-5-N-LE8</b>
		10 m	Straight	<b>570008</b>	<b>SIM-M12-8GD-10-PU</b>
			Angled	<b>570007</b>	<b>NEBU-M12W8-K-10-N-LE8</b>
		15 m	Straight	<b>5105631</b>	<b>SIM-M12-8GD-15-PU</b>
			Angled	<b>8048086</b>	<b>NEBU-M12W8-K-15-N-LE8</b>
		20 m	Straight	<b>5105632</b>	<b>SIM-M12-8GD-20-PU</b>
		25 m	Straight	<b>5105633</b>	<b>SIM-M12-8GD-25-PU</b>


1) Observe operating voltage range and ambient temperature!

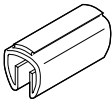
## Accessories

Plug socket with cable 8-pin, M12 - plug, 8-pin, M12				
	Cable length	Electrical connection 1, cable outlet 1)	Part no.	Type
	2 m	Straight	525617	KM12-8GD8GS-2-PU

1) Observe operating voltage range and ambient temperature!

Inscription label holder						
	Description	Length	Width	Height	Part no.	Type
	For cable diameter 1.7 ... 3 mm	23 mm	5.4 mm	10.1 mm	8078305	NEAU-LH-1
	For cable diameter 2.5 ... 3.5 mm			10.3 mm	8078306	NEAU-LH-2
	For cable diameter 3.3 ... 4.8 mm			11.6 mm	8078307	NEAU-LH-3
	For cable diameter 4.2 ... 5.6 mm			12.1 mm	8143238	NEAU-LH-4

Inscription label ASLR			
	Description	Part no.	Type
	Inscription label for inscription label holder NEAU	541598	ASLR-L-423

Inscription label KM			
	Description	Part no.	Type
	For attaching to a cable with diameter 5 ... 8 mm	33361	KM-BZ