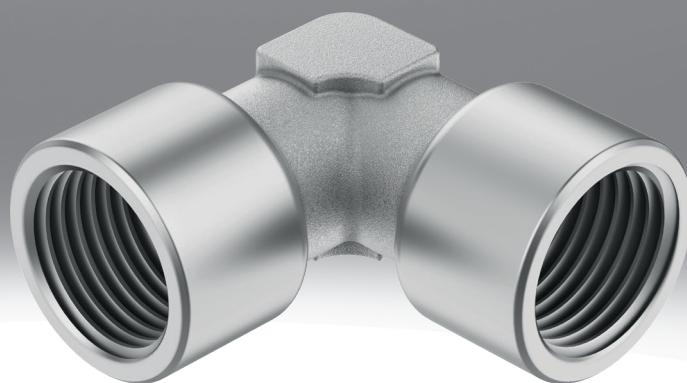


Threaded fitting NPFC

FESTO



Characteristics

At a glance

- Nickel-plated brass
- Operating medium: compressed air, vacuum

Note:

When using R threaded studs, we recommend sealing with thread sealing tape GWB-0.1 (part no. 9076). When using M and G threaded studs, an additional axial sealing ring is required (preferably soft aluminium AL 99.5).

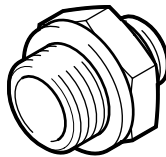
The threaded fittings NPFC are treated as mass-produced goods and sold in bulk. Surface defects or markings cannot be excluded. This may require G threads to be sealed as well.

Design type

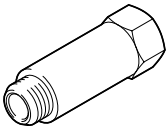
[D] Double nipple, straight



[DS] Double nipple, straight, with seal



[E1] Extension, length 1



[H] Bulkhead fitting

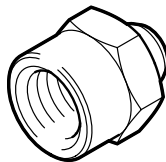


Available in different lengths (E1; E2; E3; E4)

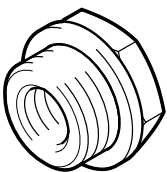
[L] Elbow piece



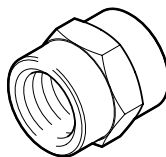
[R] Reduction



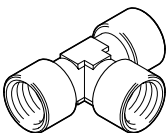
[RS] Reduction, with seal



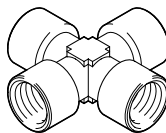
[S] Sleeve



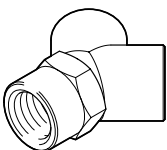
[T] T-piece



[X] X-piece



[Y] Y piece



Type code

001	Series
NPFC	Fitting

002	Design type
Y	Y piece
H	Bulkhead fitting
D	Double nipple, straight
E4	Extension, length 4
DS	Double nipple, straight, with seal
E1	Extension, length 1
E2	Extension, length 2
E3	Extension, length 3
RS	Reduction, with seal
L	Elbow piece
X	X-piece
T	T-piece
R	Reduction
S	Sleeve

003	Number, connection type 1
	1 connection
3	3 connections
2	2 connections
4	4 connections

004	Connection type 1
R1	R1
R14	R1/4
R38	R3/8
R18	R1/8
G1	G1
G18	G1/8
G38	G3/8
R34	R3/4
R12	R1/2
M5	M5
G34	G3/4
M7	M7
G14	G1/4
M3	M3
G12	G1/2

005	Number, connection type 2
	None
1	1 connection
2	2 connections
3	3 connections

006	Connection type 2
R38	R3/8
R14	R1/4
R12	R1/2
R18	R1/8
R34	R3/4
R1	R1
G1	G1
G38	G3/8
	None
M3	M3
G34	G3/4
M5	M5
G18	G1/8
G12	G1/2
G14	G1/4

007	Thread type
F	Female
FM	Female/male
M	Male
FMM	Female/male/male
MFF	Male/female/female
MMF	Male/male/female
MF	Male/female
FMF	Female/male/male

008	Special material properties
	None
F1A	Recommended for production plants for manufacturing lithium-ion batteries, F1A

Datasheet

Technical data – NPFC-D/-E/-H/-L/-R/-S/-T/-X/-Y

Operating pressure	-0.95 ... 50 bar
Operating medium	Compressed air to ISO 8573-1:2010 [:-:-]
Ambient temperature	-20 ... 150°C
Corrosion resistance class CRC ¹⁾	1 - Low corrosion stress
Material threaded fitting	Nickel-plated brass
Note on materials	RoHS-compliant
LABS (PWIS) conformity	VDMA24364-B1/B2-L

1) More information www.festo.com/x/topic/crc

Technical data – Double nipple with sealing ring NPFC-DS

Pneumatic connection, port 1	M5	G1/8	G1/4	G3/8	G1/2
Pneumatic connection, port 2	M5	G1/8	G1/4	G3/8	G1/4 G3/8 G1/2
Nominal tightening torque, pneumatic connection 1	1.78 Nm	10.55 Nm	9.05 Nm	38.5 Nm	47.9 Nm
Nominal tightening torque, pneumatic connection 2	1.78 Nm	10.55 Nm	9.05 Nm	38.5 Nm	9.05 Nm 38.5 Nm 47.9 Nm
Tolerance for nominal tightening torque	± 20%				
Operating pressure	-0.95 ... 10 bar				
Operating medium	Compressed air to ISO 8573-1:2010 [:-:-]				
Ambient temperature	-10 ... 60°C				
Corrosion resistance class CRC ¹⁾	1 - Low corrosion stress				
Material threaded fitting	Nickel-plated brass				
Material seals	PVC				
Note on materials	RoHS-compliant				
LABS (PWIS) conformity	VDMA24364-B2-L				

1) More information www.festo.com/x/topic/crc

Technical data – Reducing nipple with sealing ring NPFC-RS

Pneumatic connection, port 1	G1/8	G1/4	G3/8	G1/2	G3/4	G1
Nominal tightening torque, pneumatic connection 1	10.55 Nm	9.05 Nm	38.5 Nm	47.9 Nm	45 Nm	62.5 Nm
Tolerance for nominal tightening torque	± 20%					
Operating pressure	-0.95 ... 10 bar					
Operating medium	Compressed air to ISO 8573-1:2010 [:-:-]					
Ambient temperature	-10 ... 60°C					
Corrosion resistance class CRC ¹⁾	1 - Low corrosion stress					
Material threaded fitting	Nickel-plated brass					
Material seals	PVC					
Note on materials	RoHS-compliant					
LABS (PWIS) conformity	VDMA24364-B2-L					

1) More information www.festo.com/x/topic/crc

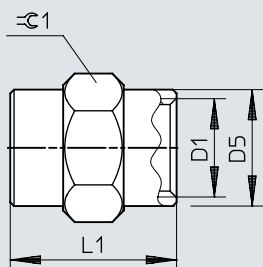
Additional data – products for battery production (F1A)

Corrosion resistance class CRC ¹⁾	2 - Moderate corrosion stress
Suitability for the production of Li-ion batteries	Metals with more than 1% copper, zinc or nickel by mass are excluded from use. Exceptions are nickel in steel, chemically nickel-plated surfaces, printed circuit boards, cables, electrical plug connectors and coils

1) More information www.festo.com/x/topic/crc

Dimensions

Dimensions – Pipe socket NPFC-S

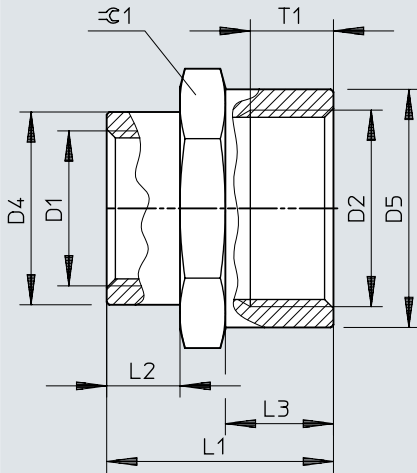
Download CAD data → www.festo.com

	D1	D5 Ø	L1	r_{C1}
NPFC-S-2M5-F	M5	7,5	11	8
NPFC-S-2G18-F	G1/8	13,5	15	14
NPFC-S-2G14-F	G1/4	16,5	22	17
NPFC-S-2G38-F	G3/8	21,5	24	22
NPFC-S-2G12-F	G1/2	25,5	30	26
NPFC-S-2G34-F	G3/4	31,5	32	32

Dimensions

Dimensions – Reducing sleeve NPFC-R

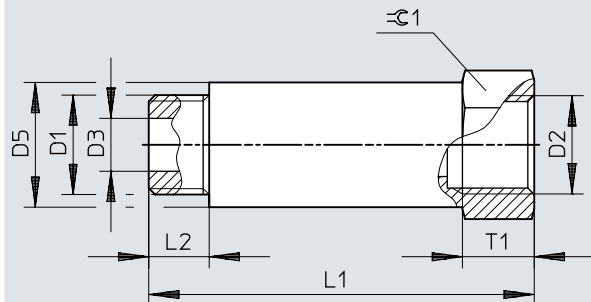
Download CAD data → www.festo.com



	D1	D2	D4 ∅	D5 ∅	L1	L2	L3	T1	≡C1
NPFC-R-G18-M5-F	M5	G1/8	10	13	13	4	5	6	14
NPFC-R-G14-G18-F	G1/8	G1/4	13	17	19	6	8	9,5	17
NPFC-R-G38-G18-F		G3/8	13	20,5	20	6	8	10	22
NPFC-R-G12-G18-F		G1/2	13	23,8	24	8	9,5	12	24
NPFC-R-G38-G14-F	G1/4	G3/8	16,5	20,5	23	8	8	10	22
NPFC-R-G12-G14-F		G1/2	16,5	23,8	25	8	9,5	12	24
NPFC-R-G12-G38-F	G3/8	G1/2	21	23,8	27,5	8,5	10,5	14	24
NPFC-R-G34-G12-F	G1/2	G3/4	25	29,8	30	10	12	14	30
NPFC-R-G1-G12-F		G1	25	39	39	11	18	17,5	40
NPFC-R-G1-G34-F		G3/4	G1	30	39	41	13	18	17,5

Dimensions

Dimensions – Extension NPFC-E...

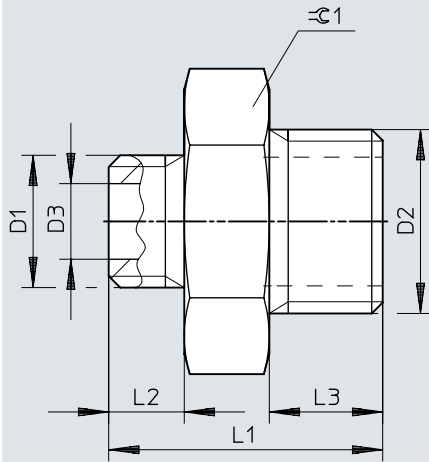
Download CAD data → www.festo.com

	D1	D2	D3 Ø	D5 Ø	L1	L2	T1	rC1
NPFC-E1-2M5-FM	M5	M5	2,7	6,8	18,5	4	5,5	7
NPFC-E1-2G18-FM	G1/8	G1/8	5,5	13	22	6	7,5	14
NPFC-E1-2G14-FM	G1/4	G1/4	8	16,5	28	8	9,5	17
NPFC-E1-2G38-FM	G3/8	G3/8	11	21,5	32	9	10	22
NPFC-E1-2G12-FM	G1/2	G1/2	15	25	35	10	11	26
NPFC-E2-2G18-FM	G1/8	G1/8	5,5	13	32	6	7,5	14
NPFC-E2-2G14-FM	G1/4	G1/4	8	16,5	35	8	9,5	17
NPFC-E3-2G18-FM	G1/8	G1/8	5,5	13	42	6	7,5	14
NPFC-E3-2G14-FM	G1/4	G1/4	8	16,5	51	8	9,5	17
NPFC-E4-2G18-FM	G1/8	G1/8	5,5	13	51	6	7,5	14

Dimensions

Dimensions – Double nipple NPFC-D, M/G thread

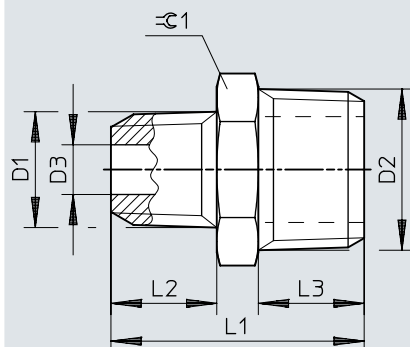
Download CAD data → www.festo.com



	D1	D2	D3 ∅	L1	L2	L3	≡C1
NPFC-D-2M3-M	M3	M3	1,5	10	2,8	2,8	5
NPFC-D-2M5-M	M5	M5	2,5	11,5	4	4	8
NPFC-D-M5-G18-M		G1/8	2,5	14,5	4	6	14
NPFC-D-M7-G18-M	M7	G1/8	4	15,5	4	6	14
NPFC-D-2G18-M	G1/8	G1/8	5,5	16,5	6	6	14
NPFC-D-2G18-M-P100							
NPFC-D-2G18-M-F1A							
NPFC-D-G18-G14-M		G1/4	5,5	19	6	8	17
NPFC-D-G18-G38-M	G3/8	5,5	20	6	9	19	
NPFC-D-2G14-M	G1/4	G1/4	8	21	8	8	17
NPFC-D-2G14-M-P100							
NPFC-D-G14-G38-M		G3/8	8	22	8	9	19
NPFC-D-G14-G12-M		G1/2	8	23,5	8	10	24
NPFC-D-2G38-M	G3/8	G3/8	11	23	9	9	19
NPFC-D-2G38-M-P50							
NPFC-D-G38-G12-M	G1/2	G1/2	11	24,5	9	10	24
NPFC-D-2G12-M	G1/2	G1/2	15	25,5	10	10	24
NPFC-D-2G12-M-P50							
NPFC-D-G12-G34-M		G3/4	G3/4	15	27,5	10	12
NPFC-D-2G34-M	G3/4	G3/4	20	29,5	12	12	30

Dimensions

Dimensions – Double nipple NPFC-D, R thread

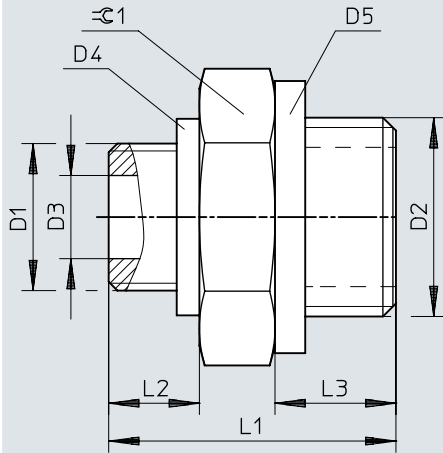
Download CAD data → www.festo.com

	D1	D2	D3 Ø	L1	L2	L3	±0.1
NPFC-D-2R18-M	R1/8	R1/8	5,5	19,5	7,5	7,5	12
NPFC-D-R18-R14-M		R1/4	5,5	23,5	7,5	11	14
NPFC-D-R18-R38-M		R3/8	5,5	24	7,5	11,5	17
NPFC-D-2R14-M	R1/4	R1/4	8	27	11	11	14
NPFC-D-R14-R38-M		R3/8	8	27,5	11	11,5	17
NPFC-D-R14-R12-M		R1/2	8	30,5	11	14	22
NPFC-D-2R38-M	R3/8	R3/8	11	28	11,5	11,5	17
NPFC-D-R38-R12-M		R1/2	11	31	11,5	14	22
NPFC-D-2R12-M	R1/2	R1/2	15	33,5	14	14	22
NPFC-D-R12-R34-M		R3/4	15	37,5	14	16,5	27
NPFC-D-2R34-M	R3/4	R3/4	19	40	16,5	16,5	27
NPFC-D-2R1-M	R1	R1	24	46,5	19	19	34

Dimensions

Dimensions – Double nipple NPFC-DS, G thread

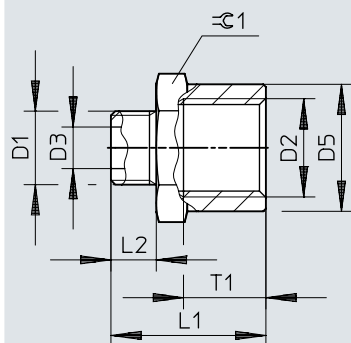
Download CAD data → www.festo.com



	D1	D2	D3 Ø	D4	D5	L1	L2	L3	$\pm C1$
NPFC-DS-G18-G18-M	G1/8	G1/8	5,5	G1/8	G1/8	16,5	6	6	14
NPFC-DS-G18-G14-M		G1/4	5,5	G1/8	G1/4	19	6	8	17
NPFC-DS-G14-G14-M	G1/4	G1/4	8	G1/4	G1/4	21	8	8	17
NPFC-DS-G14-G38-M	G1/4	G3/8	8	G1/4	G3/8	22	8	9	19
NPFC-DS-G14-G12-M	G1/4	G1/2	8	G1/4	G1/2	23,5	8	10	24
NPFC-DS-G38-G38-M	G3/8	G3/8	11	G3/8	G3/8	23	9	9	19
NPFC-DS-G38-G12-M	G3/8	G1/2	11	G3/8	G1/2	24,5	9	10	24
NPFC-DS-G12-G12-M	G1/2	G1/2	15	G1/2	G1/2	25,5	10	10	24
NPFC-DS-M5-G18-M	M5	G1/8	2,5	M5	G1/8	14,5	4	6	14
NPFC-DS-M5-M5-M	M5	M5	2,5	M5	M5	11,5	4	4	8

Dimensions

Dimensions – Reducing nipple NPFC-R, female thread/male thread

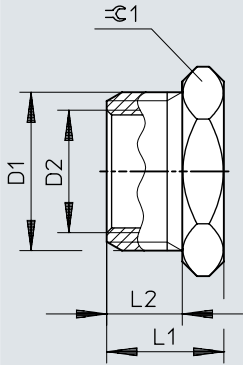
Download CAD data → www.festo.com

	D1	D2	D3 ∅	D5 ∅	L1	L2	T1	$\approx \varnothing 1$
NPFC-R-G18-M5-FM	M5	G1/8	2,5	13,5	14,5	4	7,4	14
NPFC-R-G14-G18-FM	G1/8	G1/4	5,5	17	20,5	6	9,5	17
NPFC-R-G38-G18-FM		G3/8	5,5	21,5	21,5	6	10,5	22
NPFC-R-G38-G14-FM	G1/4	G3/8	8	21,5	23,5	8	10,5	22
NPFC-R-G12-G38-FM	G3/8	G1/2	11	25	27,5	9	13	26

Dimensions

Dimensions – Reducing nipple NPFC-R, male thread/female thread

Download CAD data → www.festo.com

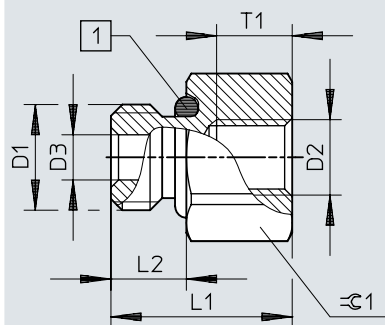


	D1	D2	L1	L2	$\varnothing C1$
NPFC-R-M5-M3-MF	M5	M3	6,5	4	7
NPFC-R-G18-M5-MF	G1/8	M5	10,5	6	14
NPFC-R-G14-M5-MF	G1/4	M5	13	8	17
NPFC-R-G14-G18-MF		G1/8	13	8	17
NPFC-R-G14-G18-MF-P100	G3/8	G1/8	14	9	19
NPFC-R-G38-G18-MF		G1/8	14	9	19
NPFC-R-G38-G14-MF		G1/4	14	9	19
NPFC-R-G38-G14-MF-P50	G1/2	G1/4	15,5	10	24
NPFC-R-G12-G14-MF		G1/4	15,5	10	24
NPFC-R-G12-G14-MF-P50		G3/8	15,5	10	24
NPFC-R-G12-G38-MF		G3/8	15,5	10	24
NPFC-R-G12-G38-MF-P50	G3/4	G1/4	17,5	12	30
NPFC-R-G34-G14-MF		G1/4	17,5	12	30
NPFC-R-G34-G38-MF		G3/8	17,5	12	30
NPFC-R-G34-G12-MF		G1/2	17,5	12	30
NPFC-R-G34-G12-MF-P50	G1	G1/2	20	12	40
NPFC-R-G1-G12-MF		G1/2	20	12	40
NPFC-R-G1-G34-MF		G3/4	20	12	40

Dimensions

Dimensions – NPFC-R-M7-M5-MF

Download CAD data → www.festo.com



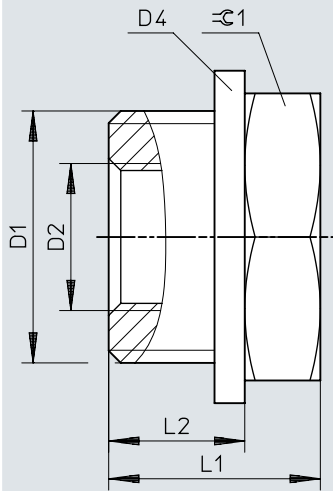
[1] Sealing ring

	D1	D2	D3 Ø	L1	L2	T1	≈C1
NPFC-R-M7-M5-MF	M7	M5	3	12	5	4	10

Dimensions

Dimensions – Reducing nipple NPFC-RS, G thread

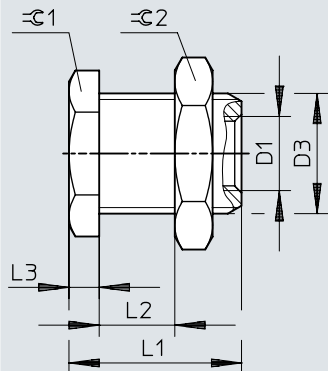
Download CAD data → www.festo.com



	D1	D2	D4	L1	L2	$\approx \text{C}1$
NPFC-RS-G18-M5-MF	G1/8	M5	G1/8	10,5	6	14
NPFC-RS-G14-G18-MF	G1/4	G1/8	G1/4	13	8	17
NPFC-RS-G38-G18-MF	G3/8	G1/8	G3/8	14	9	19
NPFC-RS-G38-G14-MF	G3/8	G1/4	G3/8	14	9	19
NPFC-RS-G12-G14-MF	G1/2	G1/4	G1/2	15,5	10	24
NPFC-RS-G12-G38-MF	G1/2	G3/8	G1/2	15,5	10	24
NPFC-RS-G34-G12-MF	G3/4	G1/2	G3/4	17,5	12	30
NPFC-RS-G34-G38-MF	G3/4	G3/8	G3/4	17,5	12	30
NPFC-RS-G1-G12-MF	G1	G1/2	G1	20	12	40
NPFC-RS-G1-G34-MF	G1	G3/4	G1	20	12	40

Dimensions

Dimensions – Bulkhead fitting NPFC-H

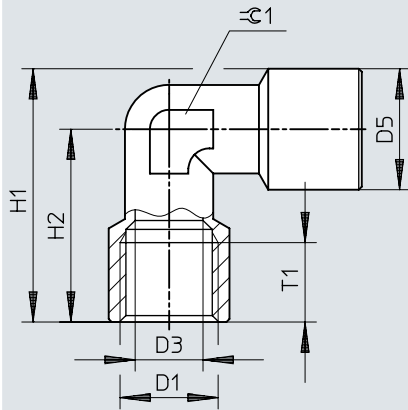
Download CAD data → www.festo.com

	D1	D3	L1	L2 max.	L3	$\varnothing 1$	$\varnothing 2$
NPFC-H-M5-F	M5	M10x1	15,5	8	4	13	13
NPFC-H-G18-F	G1/8	M14x1.5	20	11	5	17	17
NPFC-H-G14-F	G1/4	M20x1.5	22	12	5	24	24
NPFC-H-G38-F	G3/8	M24x1.5	26,5	12,5	8	27	27
NPFC-H-G12-F	G1/2	M30x1.5	28,5	14,5	8	36	36

Dimensions

Dimensions – Elbow fitting NPFC-L, female thread

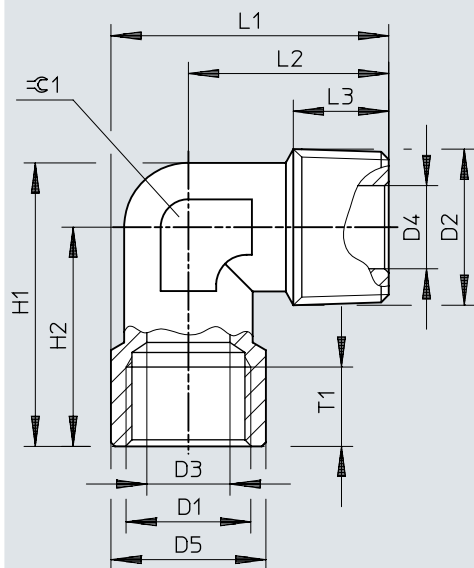
Download CAD data → www.festo.com



	D1	D3 Ø	D5 Ø	H1	H2	T1	$\approx \text{C}1$
NPFC-L-2M5-F	M5	4,2	8,5	15,3	11	4	9
NPFC-L-2G18-F	G1/8	6	13	27,5	21	7,4	11
NPFC-L-2G14-F	G1/4	8	16,5	33,8	25,5	9,5	13
NPFC-L-2G38-F	G3/8	11	20,5	38,3	28	10,5	17
NPFC-L-2G12-F	G1/2	15	25,5	44,8	32	13	20
NPFC-L-2G34-F	G3/4	19	32	52,5	36,5	14,5	27
NPFC-L-2G1-F	G1	24	39	64,5	45	16,5	30

Dimensions

Dimensions – Elbow fitting NPFC-L, male thread/female thread

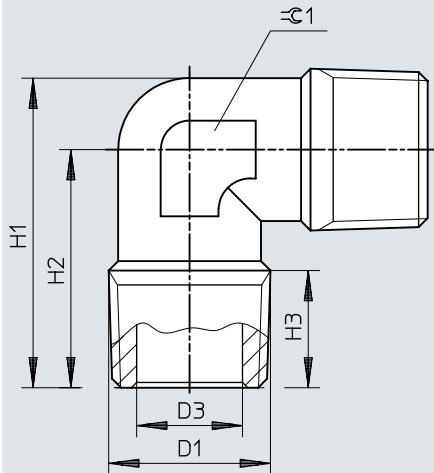
Download CAD data → www.festo.com

	D1	D2	D3 Ø	D4 Ø	D5 Ø	H1	H2	L1	L2	L3	T1	≅1
NPFC-L-2M5-MF	M5	M5	3	2,5	8,5	15,8	11,5	15,8	11,5	4	5	9
NPFC-L-R18-G18-MF	G1/8	R1/8	6	5,5	13	26	19	24,5	18	7,5	7,4	11
NPFC-L-R14-G14-MF	G1/4	R1/4	8	8	16,5	31,5	25,5	32,3	24	11	9,5	13
NPFC-L-R38-G38-MF	G3/8	R3/8	11	11	20,5	35,5	28	37,3	27	11,5	10,5	17
NPFC-L-R12-G12-MF	G1/2	R1/2	15	15	25,5	41,7	32	42,3	29,5	14	13	20
NPFC-L-R34-G34-MF	G3/4	R3/4	20	20	32	48,5	36,5	48	32	14,7	14,5	27
NPFC-L-R1-G1-MF	G1	R1	24	24	39	59,5	45	58,5	39	15,7	16,5	30

Dimensions

Dimensions – Elbow fitting NPFC-L, male thread

Download CAD data → www.festo.com

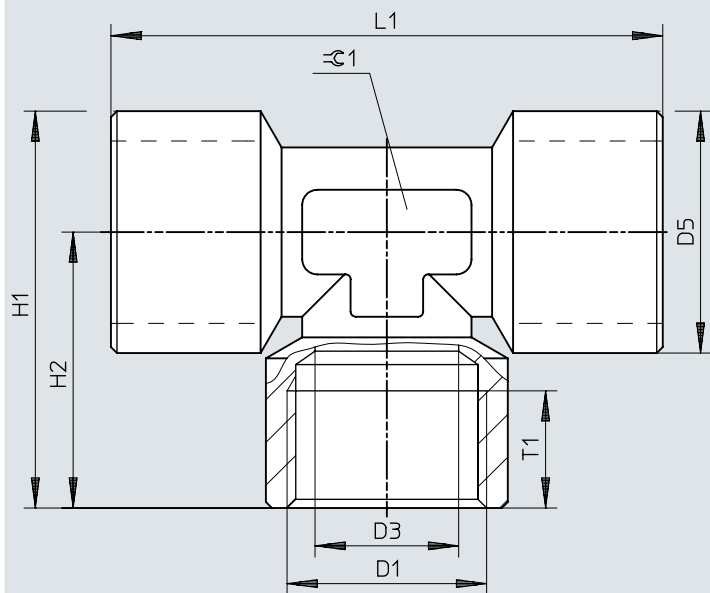


	D1	D3 Ø	H1	H2	H3	=C1
NPFC-L-2M5-M	M5	2,5	15,8	11,5	4	9
NPFC-L-2R18-M	R1/8	5,5	23	18	7,5	11
NPFC-L-2R14-M	R1/4	8	31	24	11	13
NPFC-L-2R38-M	R3/8	11	34,5	27	11,5	17
NPFC-L-2R12-M	R1/2	15	39,2	29,5	14	20
NPFC-L-2R34-M	R3/4	19	44	32	13	27

Dimensions

Dimensions – T-fitting NPFC-T, female thread

Download CAD data → www.festo.com

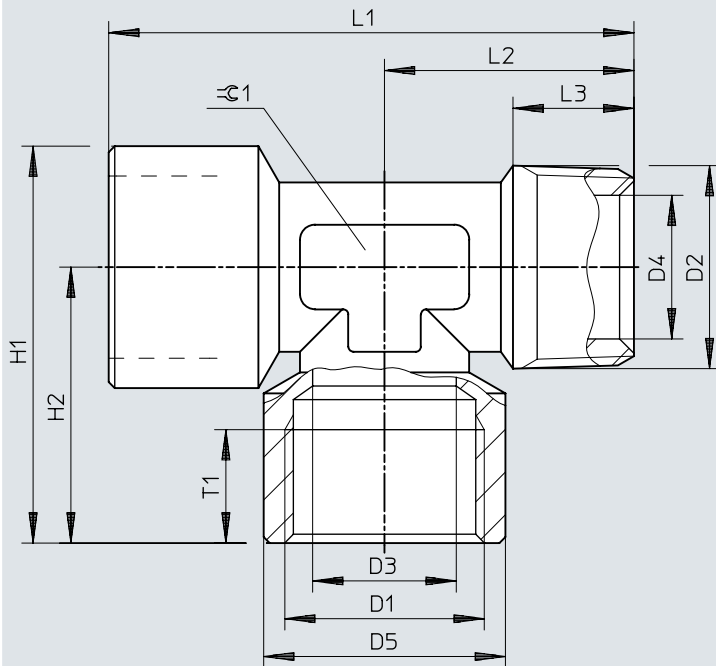


	D1	D3 Ø	D5 Ø	H1	H2	L1	T1	±G1
NPFC-T-3G18-F	G1/8	6	13	26	19,5	39	7,4	12
NPFC-T-3G14-F	G1/4	8	16,5	32,8	24,5	49	9,5	13
NPFC-T-3G38-F	G3/8	11	20,5	37,3	27	54	10,5	16
NPFC-T-3G12-F	G1/2	15	25,5	44,8	32	64	13	20
NPFC-T-3G34-F	G3/4	19	32	52,5	36,5	73	14,5	27
NPFC-T-3G1-F	G1	24	39	64,5	45	90	16,5	30

Dimensions

Dimensions – T-fitting NPFC-T, female thread/male thread/female thread

Download CAD data → www.festo.com

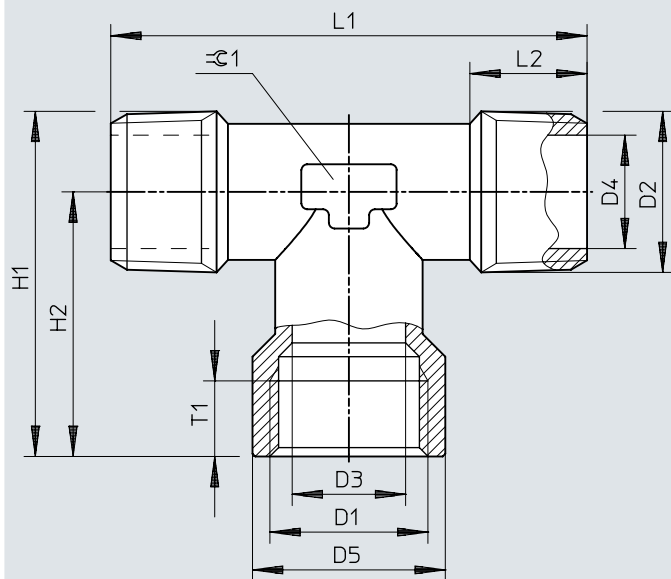


	D1	D2	D3 Ø	D4 Ø	D5 Ø	H1	H2	L1	L2	L3	T1	≡C1
NPFC-T-3M5-FMF	M5	M5	3	2,5	8,5	15,3	12	22	11	4	5	9
NPFC-T-2G18-R18-FMF	G1/8	R1/8	6	6	13	26	19,5	37	17,5	7,5	7,4	12
NPFC-T-2G14-R14-FMF	G1/4	R1/4	8	8	16,5	32,8	24,6	47,5	23	11	9,5	13
NPFC-T-2G38-R38-FMF	G3/8	R3/8	11	11	20,5	37,3	27,1	52,5	25,5	11,5	10,5	16
NPFC-T-2G12-R12-FMF	G1/2	R1/2	15	15	25,5	44,8	32,1	61,5	29,5	14	13	20
NPFC-T-2G34-R34-FMF	G3/4	R3/4	19	19	32	52,5	36,5	68,5	32	14	14,5	27
NPFC-T-2G1-R1-FMF	G1	R1	24	24	39	64,5	45	84	39	16	16,5	30

Dimensions

Dimensions – T-fitting NPFC-T, female thread/male thread/male thread

Download CAD data → www.festo.com

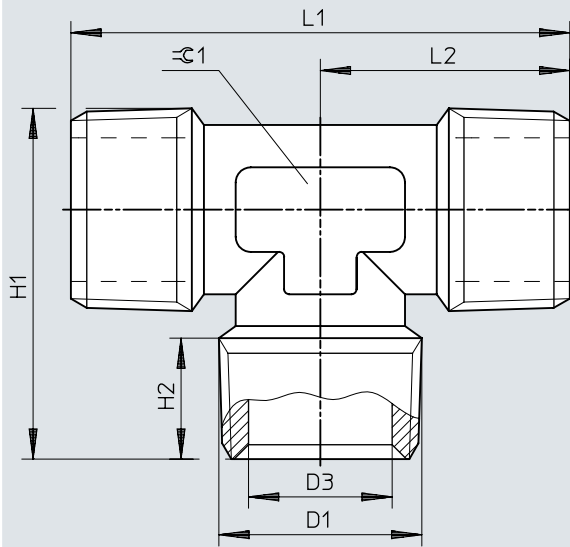


	D1	D2	D3 Ø	D4 Ø	D5 Ø	H1	H2	L1	L2	T1	⌀C1
NPFC-T-G18-2R18-FMM	G1/8	R1/8	6	5,5	13	24,5	19,5	35	7,5	7,4	12
NPFC-T-G14-2R14-FMM	G1/4	R1/4	8	8	16,5	31	24,5	46	11	9,5	13
NPFC-T-G38-2R38-FMM	G3/8	R3/8	11	11	20,5	35,5	27	51,5	11,5	10,5	16
NPFC-T-G12-2R12-FMM	G1/2	R1/2	15	15	25,5	42,8	32	59	14	13	20

Dimensions

Dimensions – T-fitting NPFC-T, male thread

Download CAD data → www.festo.com

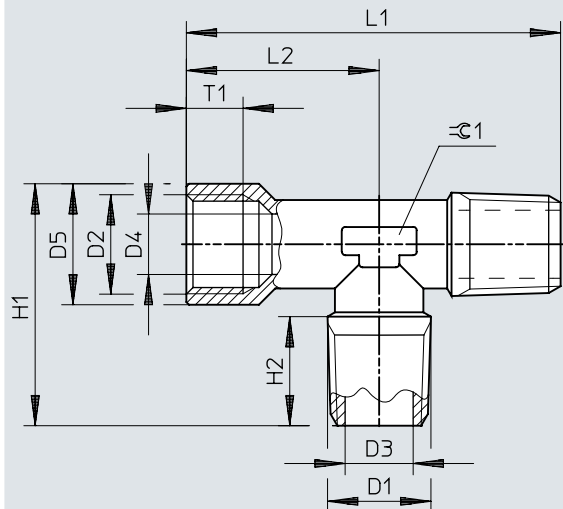


	D1	D3 Ø	H1	H2	L1	L2	$\varnothing 1$
NPFC-T-3R14-M	R1/4	8	29,8	11	46	23	13
NPFC-T-3R38-M	R3/8	11	34,1	11,5	51,5	25,5	16
NPFC-T-3R12-M	R1/2	15	40,3	14	59	29,5	20

Dimensions

Dimensions – T-fitting NPFC-T, male thread/male thread/female thread

Download CAD data → www.festo.com

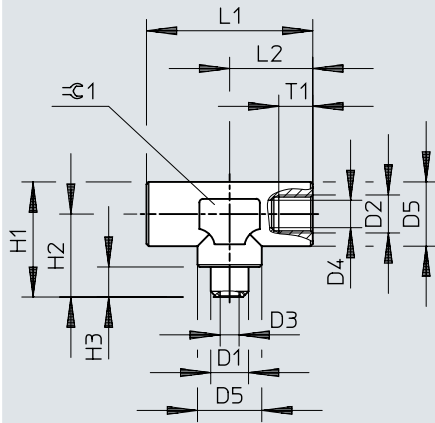


	D1	D2	D3 Ø	D4 Ø	D5 Ø	H1	H2	L1	L2	T1	≅1
NPFC-T-2R18-G18-MMF	R1/8	G1/8	5,5	6	13	24	7,5	37	19,5	7,4	12
NPFC-T-2R14-G14-MMF	R1/4	G1/4	8	8	16,5	31,3	11	47,5	24,5	9,5	13
NPFC-T-2R12-G12-MMF	R1/2	G1/2	15	15	25,5	42,3	14	61,5	32	13	20

Dimensions

Dimensions – NPFC-T-3M5-MFF

Download CAD data → www.festo.com

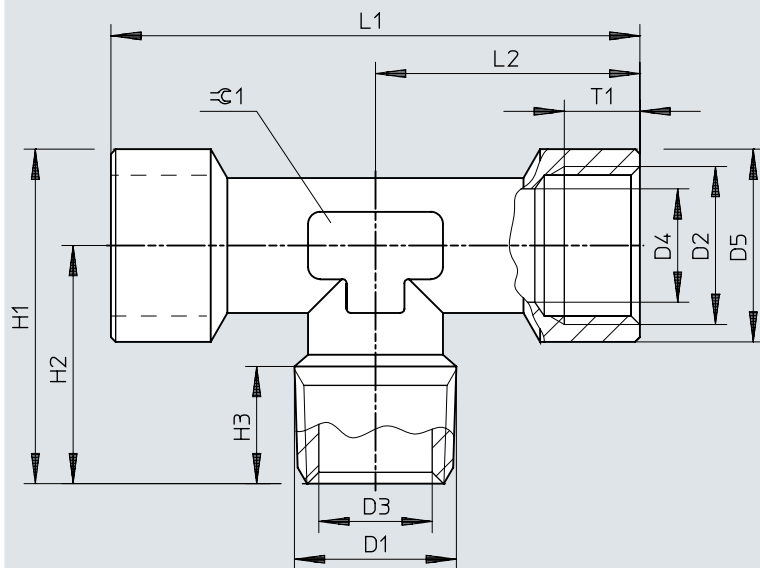


	D1	D2	D3 ∅	D4 ∅	D5 ∅	H1	H2	H3	L1	L2	T1	≡C1
NPFC-T-3M5-MFF	M5	M5	2,5	3	8,5	15,3	11	4	22	11	4,5	9

Dimensions

Dimensions – T-fitting NPFC-T, male thread/female thread/female thread

Download CAD data → www.festo.com

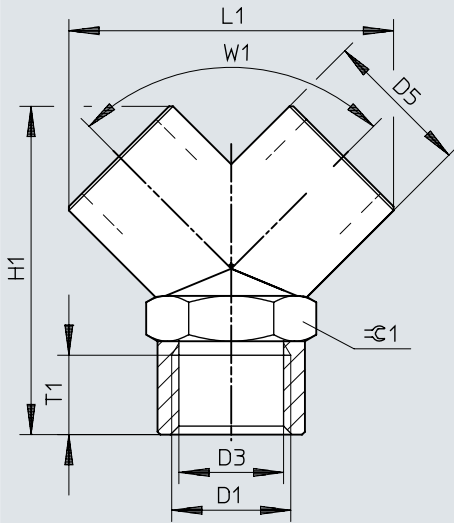


	D1	D2	D3 Ø	D4 Ø	D5 Ø	H1	H2	H3	L1	L2	T1	☉
NPFC-T-R18-2G18-MFF	R1/8	G1/8	5,5	6	13	24	17,5	8	39	19,5	7,4	12
NPFC-T-R14-2G14-MFF	R1/4	G1/4	8	8	16,5	31,3	23	11	49	24,5	9,5	13
NPFC-T-R38-2G38-MFF	R3/8	G3/8	11	11	20,5	35,8	25,5	11,5	54	27	10,5	16
NPFC-T-R12-2G12-MFF	R1/2	G1/2	15	15	25,5	41,8	29	14	64	32	13	20

Dimensions

Dimensions – Y-fitting NPFC-Y, female thread

Download CAD data → www.festo.com

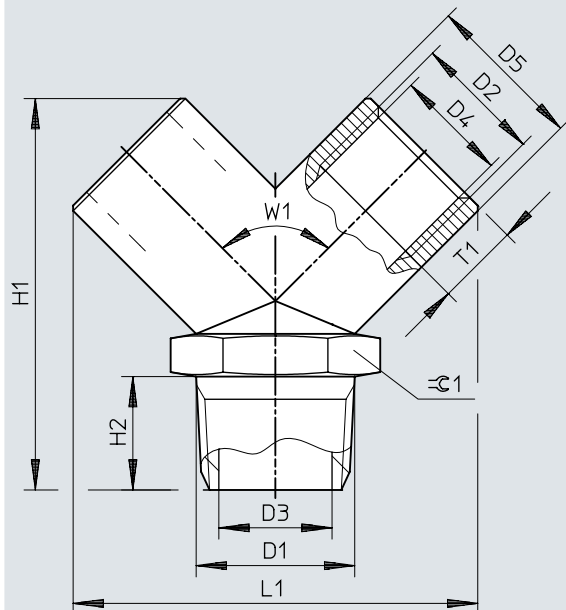


	D1	D3 Ø	D5 Ø	H1	L1	T1	W1	≈C1
NPFC-Y-3G14-F	G1/4	11,5	17	36,8	36,8	9,5	90°	17
NPFC-Y-3G38-F	G3/8	15	22	46	46	10,5	90°	22
NPFC-Y-3G12-F	G1/2	18,5	26	58	57,3	13	90°	26

Dimensions

Dimensions – Y-fitting NPFC-Y, male thread/female thread/female thread

Download CAD data → www.festo.com

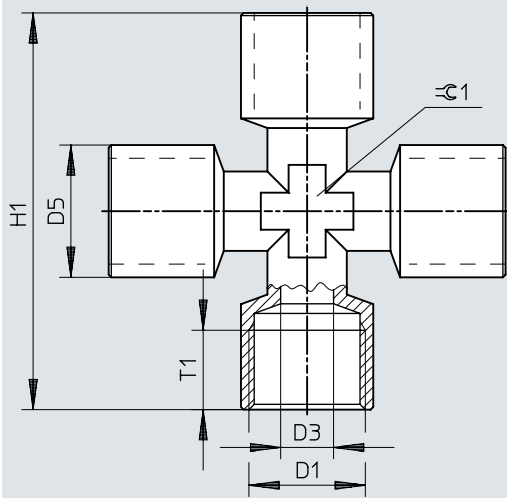


	D1	D2	D3 ∅	D4 ∅	D5 ∅	H1	H2	L1	T1	W1	R1
NPFC-Y-R18-2G18-MFF	R1/8	G1/8	5,5	8,5	14	32,8	9	32,5	8,5	90°	14
NPFC-Y-R14-2G14-MFF	R1/4	G1/4	8	11,5	17	37	11	37	9,5	90°	17
NPFC-Y-R38-2G38-MFF	R3/8	G3/8	11	15	22	46	12,5	46	10,5	90°	22
NPFC-Y-R12-2G12-MFF	R1/2	G1/2	15	18,5	26	58	16,5	57,3	13	90°	26

Dimensions

Dimensions – X-fitting NPFC-X, female thread

Download CAD data → www.festo.com

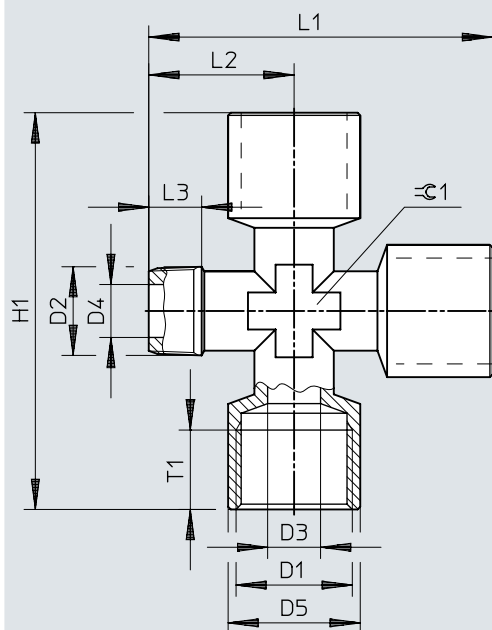


	D1	D3 Ø	D5 Ø	H1	T1	=C1
NPFC-X-4G14-F	G1/4	8	16,5	50	9,5	13
NPFC-X-4G38-F	G3/8	11	20,5	56	10,5	17
NPFC-X-4G12-F	G1/2	15	25,5	64	13	20

Dimensions

Dimensions – X-fitting NPFC-X, male thread/female thread/female thread/female thread


Download CAD data → www.festo.com



	D1	D2	D3 ∅	D4 ∅	D5 ∅	H1	L1	L2	L3	T1	⊖C1
NPFC-X-R14-3G14-MFFF	G1/4	R1/4	8	8	16,5	50	48,5	23,5	11	9,5	13
NPFC-X-R12-3G12-MFFF	G1/2	R1/2	15	15	25,5	64	61	29	14	13	20


Ordering data

Ordering data – Double nipple NPFC-D


	Pneumatic connection, port 1 ¹⁾	Pneumatic connection, port 2	Product weight	Part no.	Type	
	M3	M3	1 g	8069210	NPFC-D-2M3-M	
	M5	M5	2.47 g	8030267	NPFC-D-2M5-M	
		G1/8	G1/8	8.8 g	8069211	NPFC-D-M5-G18-M
	M7		8.7 g	8030268	NPFC-D-M7-G18-M	
	G1/8		G1/8	9.7 g	8069212	NPFC-D-2G18-M-P100
				10 g	8030269	NPFC-D-2G18-M
				15.8 g	8133311	NPFC-D-2G18-M-F1A
	G1/4	G1/4	20.5 g	8030270	NPFC-D-G18-G14-M	
		G1/4	G3/8	20.5 g	8030271	NPFC-D-G18-G38-M
			G1/4	17.2 g	8030272	NPFC-D-2G14-M
	G3/8	G3/8	G3/8	22.4 g	8069213	NPFC-D-2G14-M-P100
				22.4 g	8030273	NPFC-D-G14-G38-M
			G1/2	33.35 g	8030274	NPFC-D-G14-G12-M
	G3/8	G3/8	G3/8	24 g	8069214	NPFC-D-2G38-M-P50
				24 g	8030275	NPFC-D-2G38-M
			G1/2	35.2 g	8030276	NPFC-D-G38-G12-M
	G1/2	G1/2	G1/2	35.75 g	8069215	NPFC-D-2G12-M-P50
				35.75 g	8030277	NPFC-D-2G12-M
			G3/4	58.7 g	8069216	NPFC-D-G12-G34-M
	G3/4	G3/4	G3/4	63.7 g	8069217	NPFC-D-2G34-M
				9.4 g	8030278	NPFC-D-2R18-M
	R1/8	R1/8	R1/8	14.7 g	8030279	NPFC-D-R18-R14-M
			R3/8	20.16 g	8030280	NPFC-D-R18-R38-M
			R1/4	17.9 g	8030281	NPFC-D-R14-M
	R1/4	R1/4	R3/8	23.4 g	8030282	NPFC-D-R14-R38-M
			R1/2	35.43 g	8030283	NPFC-D-R14-R12-M
			R3/8	26.27 g	8030284	NPFC-D-2R38-M
	R3/8	R3/8	R1/2	38.42 g	8030285	NPFC-D-R38-R12-M
			R1/2	41.1 g	8030286	NPFC-D-2R12-M
	R1/2	R1/2	R3/4	68.5 g	8030287	NPFC-D-R12-R34-M
R3/4			80.14 g	8030288	NPFC-D-2R34-M	
R1	R1	147.33 g	8030289	NPFC-D-2R1-M		

1) F1A: Products for battery production


Ordering data – Double nipple with sealing ring NPFC-DS


	Pneumatic connection, port 1	Pneumatic connection, port 2	Product weight	Part no.	Type	
	M5	M5	2.55 g	8142592	NPFC-DS-M5-M5-M	
	G1/8	G1/8	8.96 g	8142591	NPFC-DS-M5-G18-M	
			9.94 g	8142583	NPFC-DS-G18-G18-M	
	G1/4	G1/4	16.23 g	8142584	NPFC-DS-G18-G14-M	
			17.82 g	8142585	NPFC-DS-G14-G14-M	
	G3/8	G3/8	23.13 g	8142586	NPFC-DS-G14-G38-M	
			24.84 g	8142588	NPFC-DS-G38-G38-M	
	G1/2	G1/4	34.4 g	8142587	NPFC-DS-G14-G12-M	
			G3/8	36.36 g	8142589	NPFC-DS-G38-G12-M
			G1/2	37.23 g	8142590	NPFC-DS-G12-G12-M


Ordering data – Extension NPFC-E...


	Pneumatic connection, port 1	Pneumatic connection, port 2	Product weight	Part no.	Type
	M5	M5	4.1 g	8069218	NPFC-E1-2M5-FM

Ordering data

Ordering data – Extension NPFC-E...					
	Pneumatic connection, port 1	Pneumatic connection, port 2	Product weight	Part no.	Type
	G1/8	G1/8	14.9 g	8030298	NPFC-E1-2G18-FM
			21.4 g	8030302	NPFC-E2-2G18-FM
			27.2 g	8030304	NPFC-E3-2G18-FM
			33.1 g	8030306	NPFC-E4-2G18-FM
	G1/4	G1/4	25.4 g	8030299	NPFC-E1-2G14-FM
			31.76 g	8030303	NPFC-E2-2G14-FM
			47.1 g	8030305	NPFC-E3-2G14-FM
	G3/8	G3/8	47.56 g	8030300	NPFC-E1-2G38-FM
	G1/2	G1/2	59.8 g	8030301	NPFC-E1-2G12-FM


Ordering data – Bulkhead fitting NPFC-H					
	Pneumatic connection, port 1	Pneumatic connection, port 2	Product weight	Part no.	Type
	M5	M5	12 g	8069239	NPFC-H-M5-F
	G1/8	G1/8	30 g	8069240	NPFC-H-G18-F
	G1/4	G1/4	55.1 g	8069241	NPFC-H-G14-F
	G3/8	G3/8	93 g	8069242	NPFC-H-G38-F
	G1/2	G1/2	111.6 g	8069243	NPFC-H-G12-F

Ordering data – Elbow fitting NPFC-L					
	Pneumatic connection, port 1	Pneumatic connection, port 2	Product weight	Part no.	Type
	M5	M5	7.7 g	8030222	NPFC-L-2M5-M
			8.5 g	8030215	NPFC-L-2M5-MF
			8.8 g	8030208	NPFC-L-2M5-F
	G1/8	G1/8	22.5 g	8030209	NPFC-L-2G18-F
	G1/4	G1/4	36.2 g	8030210	NPFC-L-2G14-F
	G3/8	G3/8	54.1 g	8030211	NPFC-L-2G38-F
	G1/2	G1/2	91.5 g	8030212	NPFC-L-2G12-F
	G3/4	G3/4	161 g	8030213	NPFC-L-2G34-F
			238 g	8030214	NPFC-L-2G1-F
	R1/8	G1/8	19.8 g	8030216	NPFC-L-R18-G18-MF
		R1/8	16.1 g	8030223	NPFC-L-2R18-M
	R1/4	G1/4	32.3 g	8030217	NPFC-L-R14-G14-MF
		R1/4	27.7 g	8030224	NPFC-L-2R14-M
	R3/8	G3/8	48.7 g	8030218	NPFC-L-R38-G38-MF
		R3/8	43.3 g	8030225	NPFC-L-2R38-M
	R1/2	G1/2	77.8 g	8030219	NPFC-L-R12-G12-MF
		R1/2	62 g	8030226	NPFC-L-2R12-M
	R3/4	G3/4	131.7 g	8030220	NPFC-L-R34-G34-MF
		R3/4	102.6 g	8030227	NPFC-L-2R34-M
	R1	G1	197.4 g	8030221	NPFC-L-R1-G1-MF


Ordering data – Reducing sleeve NPFC-R					
	Pneumatic connection, port 1	Pneumatic connection, port 2	Product weight	Part no.	Type
	G1/8	M5	10 g	8069219	NPFC-R-G18-M5-F

Ordering data


Ordering data – Reducing sleeve NPFC-R

	Pneumatic connection, port 1	Pneumatic connection, port 2	Product weight	Part no.	Type
	G1/4	G1/8	16 g	8069220	NPFC-R-G14-G18-F
	G3/8	G1/4	24.6 g	8030296	NPFC-R-G38-G18-F
			33 g	8069221	NPFC-R-G38-G14-F
	G1/2	G1/8	43 g	8069222	NPFC-R-G12-G18-F
		G1/4	32 g	8069223	NPFC-R-G12-G14-F
		G3/8	38 g	8069224	NPFC-R-G12-G38-F
	G3/4	G1/2	56.2 g	8030297	NPFC-R-G34-G12-F
G1	G3/4	169 g	8069226	NPFC-R-G1-G34-F	

Ordering data – Reducing nipple NPFC-R


	Pneumatic connection, port 1	Pneumatic connection, port 2	Product weight	Part no.	Type	
	M5	M3	1.2 g	8069227	NPFC-R-M5-M3-MF	
	M7	M5	5.1 g	8069228	NPFC-R-M7-M5-MF	
	G1/8	G1/8	8.2 g	8030307	NPFC-R-G18-M5-MF	
			9.3 g	8030314	NPFC-R-G18-M5-FM	
	G1/4	G1/8	17.6 g	8069229	NPFC-R-G14-M5-MF	
			10.8 g	8030308	NPFC-R-G14-G18-MF	
			17.8 g	8069230	NPFC-R-G14-G18-MF-P100	
	G3/8	G1/8	19.4 g	8030309	NPFC-R-G38-G18-MF	
			30.1 g	8030316	NPFC-R-G38-G18-FM	
			G1/4	13 g	8069231	NPFC-R-G38-G14-MF-P50
				8030310	NPFC-R-G38-G14-MF	
				32 g	8030317	NPFC-R-G38-G14-FM
	G1/2	G1/4	31.4 g	8030311	NPFC-R-G12-G14-MF	
			8069232	NPFC-R-G12-G14-MF-P50		
			G3/8	22.1 g	8069233	NPFC-R-G12-G38-MF-P50
				45.1 g	8030312	NPFC-R-G12-G38-MF
	G3/4	G1/4	72.3 g	8069234	NPFC-R-G34-G14-MF	
			64 g	8069235	NPFC-R-G34-G38-MF	
			39.3 g	8069236	NPFC-R-G34-G12-MF-P50	
	G1	G1/2	8030313	NPFC-R-G34-G12-MF		
			133.9 g	8069237	NPFC-R-G1-G12-MF	
			G3/4	96.2 g	8069238	NPFC-R-G1-G34-MF

Ordering data – Reducing nipple with sealing ring NPFC-RS


	Pneumatic connection, port 1	Pneumatic connection, port 2	Product weight	Part no.	Type
	G1/8	M5	8.32 g	8142593	NPFC-RS-G18-M5-MF
	G1/4	G1/8	11.11 g	8142594	NPFC-RS-G14-G18-MF
			19.82 g	8142595	NPFC-RS-G38-G18-MF
	G3/8	G1/4	13.42 g	8142596	NPFC-RS-G38-G14-MF
			32.14 g	8142597	NPFC-RS-G12-G14-MF
	G1/2	G3/8	22.84 g	8142598	NPFC-RS-G12-G38-MF
			64.88 g	8142600	NPFC-RS-G34-G38-MF
			G1/2	40.18 g	8142599
	G3/4	G1/2	134.79 g	8142601	NPFC-RS-G1-G12-MF
G1	G3/4		97.09 g	8142602	NPFC-RS-G1-G34-MF

Ordering data


Ordering data – Pipe socket NPFC-S

	Pneumatic connection, port 1	Pneumatic connection, port 2	Product weight	Part no.	Type
	M5	M5	3.13 g	8030290	NPFC-S-2M5-F
	G1/8	G1/8	11 g	8030291	NPFC-S-2G18-F
	G1/4	G1/4	18.8 g	8030292	NPFC-S-2G14-F
	G3/8	G3/8	35.7 g	8030293	NPFC-S-2G38-F
	G1/2	G1/2	54.4 g	8030294	NPFC-S-2G12-F
	G3/4	G3/4	79.1 g	8030295	NPFC-S-2G34-F


Ordering data – T-fitting NPFC-T

	Pneumatic connection, port 1	Pneumatic connection, port 2	Product weight	Part no.	Type	
	M5	M5	10.6 g	8069244	NPFC-T-3M5-MFF	
			10.9 g	8030245	NPFC-T-3M5-FMF	
	G1/8	G1/8	28.9 g	8030235	NPFC-T-3G18-F	
			R1/8	23.1 g	8030255	NPFC-T-G18-2R18-FMM
				26 g	8030246	NPFC-T-2G18-R18-FMF
	G1/4	G1/4	49.3 g	8030236	NPFC-T-3G14-F	
			R1/4	40.3 g	8030256	NPFC-T-G14-2R14-FMM
				44.4 g	8030247	NPFC-T-2G14-R14-FMF
	G3/8	G3/8	71.9 g	8030237	NPFC-T-3G38-F	
			R3/8	60.8 g	8030257	NPFC-T-G38-2R38-FMM
				65.8 g	8030248	NPFC-T-2G38-R38-FMF
	G1/2	G1/2	129.3 g	8030238	NPFC-T-3G12-F	
			R1/2	100.7 g	8030258	NPFC-T-G12-2R12-FMM
				114.2 g	8030249	NPFC-T-2G12-R12-FMF
	G3/4	G3/4	214.3 g	8030239	NPFC-T-3G34-F	
			R3/4	186 g	8030250	NPFC-T-2G34-R34-FMF
	G1	G1	353 g	8030240	NPFC-T-3G1-F	
			R1	296 g	8030251	NPFC-T-2G1-R1-FMF
	R1/8	G1/8	23.2 g	8030259	NPFC-T-2R18-G18-MMF	
			26.3 g	8030241	NPFC-T-R18-2G18-MFF	
	R1/4	G1/4	40.3 g	8030260	NPFC-T-2R14-G14-MMF	
			45 g	8030242	NPFC-T-R14-2G14-MFF	
			R1/4	36.2 g	8030252	NPFC-T-3R14-M
	R3/8	G3/8	65.9 g	8030243	NPFC-T-R38-2G38-MFF	
R3/8			54.9 g	8030253	NPFC-T-3R38-M	
R1/2	G1/2	100.6 g	8030261	NPFC-T-2R12-G12-MMF		
		114.7 g	8030244	NPFC-T-R12-2G12-MFF		
		R1/2	86 g	8030254	NPFC-T-3R12-M	


Ordering data – X-fitting NPFC-X

	Pneumatic connection, port 1	Pneumatic connection, port 2	Product weight	Part no.	Type
	G1/4	G1/4	63.7 g	8030262	NPFC-X-4G14-F
	G3/8	G3/8	100.1 g	8030263	NPFC-X-4G38-F
	G1/2	G1/2	164.1 g	8030264	NPFC-X-4G12-F
	R1/4	G1/4	59.6 g	8030265	NPFC-X-R14-3G14-MFFF
	R1/2	G1/2	146.7 g	8030266	NPFC-X-R12-3G12-MFFF

Ordering data – Y-fitting NPFC-Y

	Pneumatic connection, port 1	Pneumatic connection, port 2	Product weight	Part no.	Type
	G1/4	G1/4	41.6 g	8030228	NPFC-Y-3G14-F

Ordering data

Ordering data – Y-fitting NPFC-Y					
	Pneumatic connection, port 1	Pneumatic connection, port 2	Product weight	Part no.	Type
	G3/8	G3/8	91.9 g	8030229	NPFC-Y-3G38-F
	G1/2	G1/2	144.6 g	8030230	NPFC-Y-3G12-F
	R1/8	G1/8	30.7 g	8030231	NPFC-Y-R18-2G18-MFF
	R1/4	G1/4	40.8 g	8030232	NPFC-Y-R14-2G14-MFF
	R3/8	G3/8	86.7 g	8030233	NPFC-Y-R38-2G38-MFF
	R1/2	G1/2	138.5 g	8030234	NPFC-Y-R12-2G12-MFF