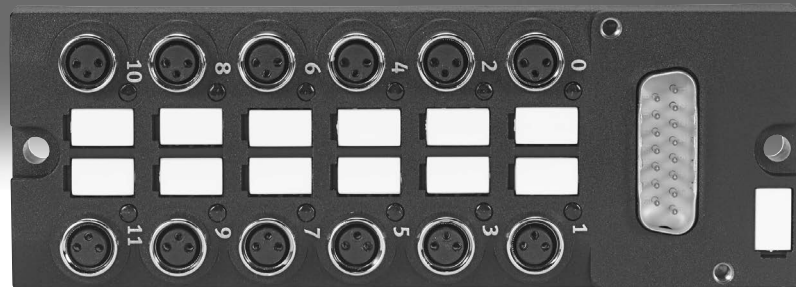
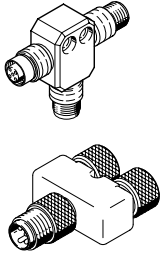
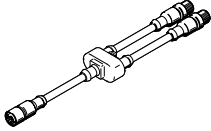
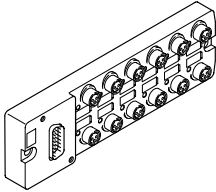


Distributors, universal

FESTO



Product range overview

Function	Version	Version	Type	Connection technology	Degree of protection	→ Page/ Internet
T-distributor		Round plug M12				
		3-pin	NEDU-L2R1-V8-M12G5-M12G5	1x socket M12, 5-pin 1x plug M12, 2-pin	IP65, IP67	3
		4-pin	NEDU-M12D4-M12T4-IS	2x socket M12, 4-pin	IP65, IP67	5
		5-pin	FB-TA-M12	2x socket M12, 5-pin	IP67	7
			NEDU-L2R1-V10-M12G5-M12G5	2x socket M12, 5-pin	IP65, IP67	7
Y-distributor with cable		M12 socket				
		5-pin	NEDU-L1R2-M12G5-M12LE-1R	1x plug M12, 3-pin 1x open end, 2-core	IP40, IP65, IP68, IP69K	10
		8-pin	NEBV-M12G8-KD-3-M12G4	2x plug M12, 4-pin	IP67	13
		8-pin	NEDU-L1R2-V9-M12G8-...	2x open cable end	IP65, IP67	13
		RJ45 plug				
		12-pin	NEDU-L1R2-R3L1G12M22	1x RJ45 plug, 8-pin 1x USB socket 2.0 Type B	IP20, IP66, IP67	17
Multiple distributor/multi-pin plug distributor		Round plug M12				
		8-pin	NEDU-L4R1-M8G3L-M12G8	4x socket M8, 3-pin	IP68	19
			NEDU-L6R1-M8G3L-M12G8	6x socket M8, 3-pin	IP68	19
		Sub-D plug				
		15-pin	MPV-E/A08-M8	8x socket M8, 3-pin	IP65	22
MPV-E/A12-M8	12x socket M8, 3-pin		IP65	22		

Datasheet

Push-in T-connector NEDU-L2R1-V8

- T-adapter
- For IO-Link®



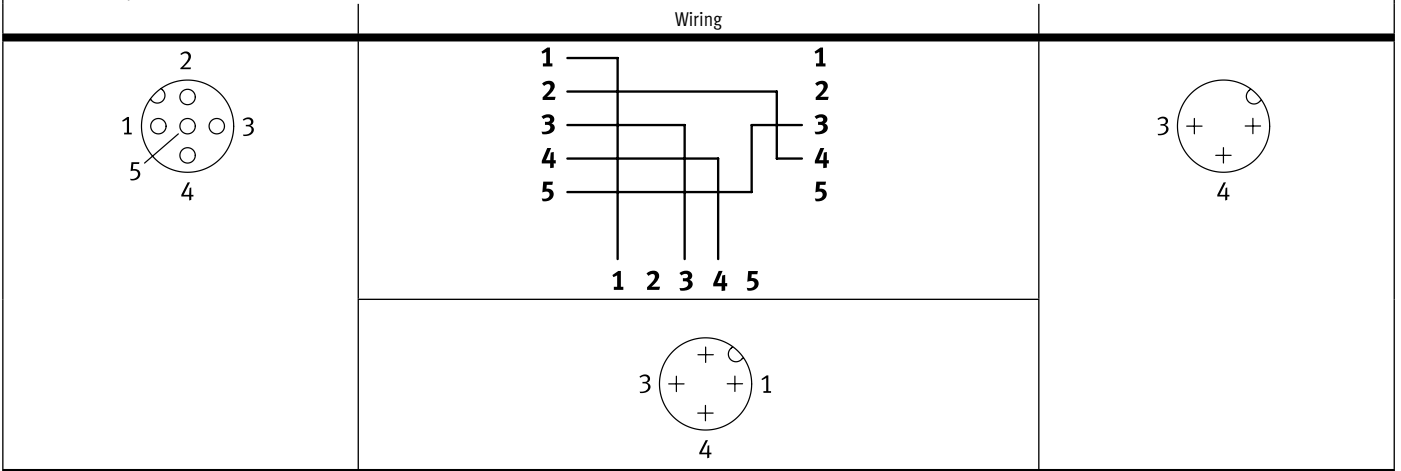
General technical data		
Based on standard		EN 61076-2-101
Electrical connection 1		Straight socket, M12, 5-pin, A-coded
Electrical connection 2		Straight plug, M12, 2-pin, A-coded
Electrical connection 3		Straight plug, M12, 3-pin, A-coded
Type of mounting		Screw-in
Max. tightening torque	[Nm]	0.6
Operating voltage range	[V DC]	0 ... 30
Surge resistance	[kV]	1.5
Current rating	[A]	4
Degree of protection to EN 60529		IP65, IP67, in assembled state
Product weight	[g]	28
Materials		
Housing		TPE-U(PUR)
Housing colour		Black
Union nut		Nickel-plated die-cast zinc
Seals		FPM
Pin contacts		Gold-plated copper alloy
Note on materials		RoHS-compliant
LABS (PWIS) conformity		VDMA24364-B2-L
Operating and environmental conditions		
Ambient temperature	[°C]	-25 ... +85
Corrosion resistance class CRC ¹⁾		2
Pollution degree		3

1) More information: www.festo.com/x/topic/crc

T-distributor, plug M12, 3-pin

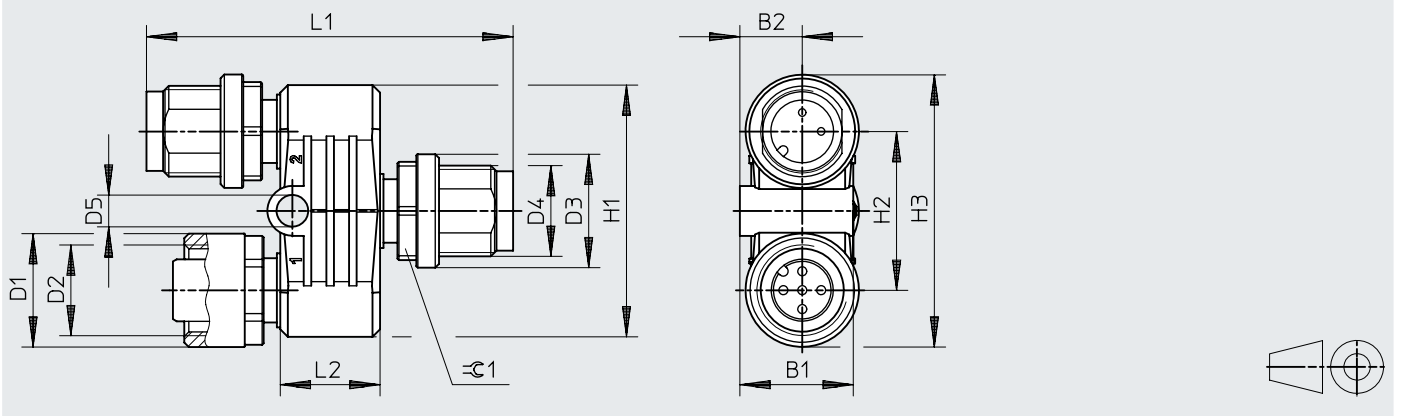
Datasheet

Wiring (socket/plug view)



Dimensions

Download CAD data → www.festo.com



Type	B1	B2	D1	D2	D3	D4	D5	H1	H2	H3	L1	L2	⌀ 1
NEDU-L2R1-V8	15	8.3	15	M12	15	M12	4.2	33.3	21	36	48.5	13.2	13

Ordering data

Electrical connection	Product weight [g]	Part no.	Type
Plug M12, A-coded, 3-pin	28	2839846	NEDU-L2R1-V8-M12G5-M12G5

Datasheet

Push-in T-connector NEDU-M

• T-adapter

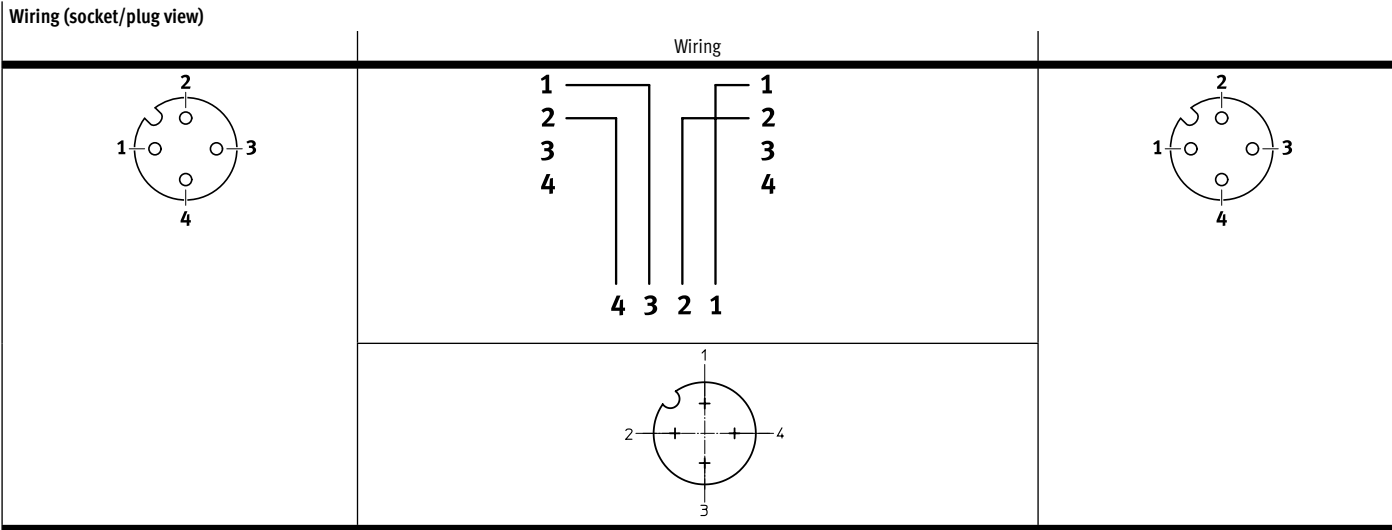


General technical data	
Based on standard	EN 61076-2-101
Type of mounting	Screw-in
Contact durability	100
Operating voltage range [V DC]	0 ... 30
Degree of protection to EN 60529	IP65, IP67
Based on standard	EN 61076-2-101
Max. tightening torque [Nm]	0.5
Product weight [g]	25.5

Materials	
Housing	Reinforced TPE-U(PU)
	Die-cast zinc
Pin contacts	Gold-plated copper alloy
Union nut	Reinforced PA
Seals	FPM
Note on materials	RoHS-compliant
LABS (PWIS) conformity	VDMA24364-B2-L

Operating and environmental conditions	
Ambient temperature [°C]	-25 ... +85
Corrosion resistance class CRC	3 ¹⁾

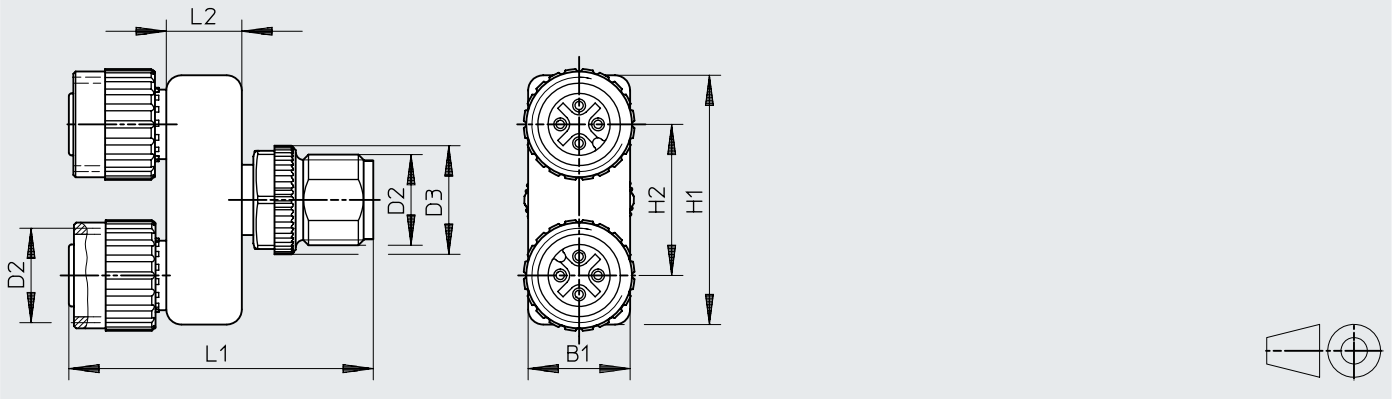
1) More information: www.festo.com/x/topic/crc



Datasheet

Dimensions

Download CAD data → www.festo.com



Type	B1	D1 ∅	D2	D3 ∅	H1	H2	L1	L2
NEDU-M12D4-M12T4-IS	13.5	14	M12	14.4	33	20	40.3	10

Ordering data

Electrical connection	Part no.	Type
Plug M12, A-coded, 4-pin	562248	NEDU-M12D4-M12T4-IS

Datasheet

T-adapter
FB-TA
NEDU-L2R1-V10

- T-adapter
- Branch line for connecting and disconnecting fieldbus components
- Connected fieldbus components can be disconnected without interrupting signal transmission (to other components)



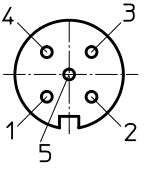
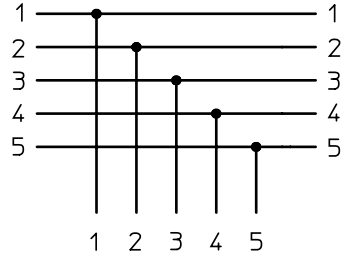
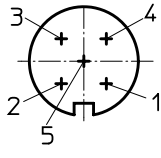
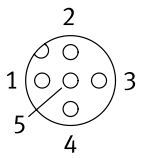
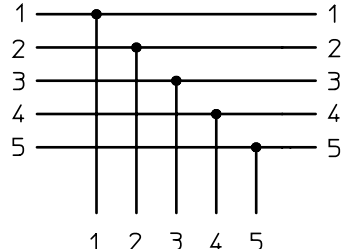
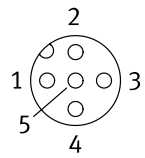
General technical data		
Type	FB-TA	NEDU-L2R1-V10
Based on standard	–	EN 61076-2-101
Electrical connection 3	Plug, M12, 5-pin	Straight plug, M12, 5-pin, A-coded
Electrical connection 1	Socket M12, 5-pin	Straight socket, M12, 5-pin, A-coded
Electrical connection 2	Socket M12, 5-pin	Straight socket, M12, 5-pin, A-coded
Type of mounting	Via through-hole	Screw-in
Max. tightening torque [Nm]	–	0.6
Operating voltage range [V DC]	10 ... 30	0 ... 30
Surge resistance [kV]	–	1.5
Current rating [A]	4	4
Degree of protection to EN 60529	IP67, in assembled state	IP65, IP67, in assembled state

Materials		
Type	FB-TA	NEDU-L2R1-V10
Housing	–	TPE-U(PUR)
Housing colour	–	Black
Union nut	–	Nickel-plated die-cast zinc
Seals	–	FPM
Pin contacts	–	Gold-plated copper alloy
Note on materials	–	RoHS-compliant
LABS (PWIS) conformity	VDMA24364-B2-L	VDMA24364-B2-L

Operating and environmental conditions		
Type	FB-TA	NEDU-L2R1-V10
Ambient temperature [°C]	–25 ... +90	–25 ... +85
Corrosion resistance class CRC ¹⁾	–	2
Pollution degree	–	3

1) More information: www.festo.com/x/topic/crc

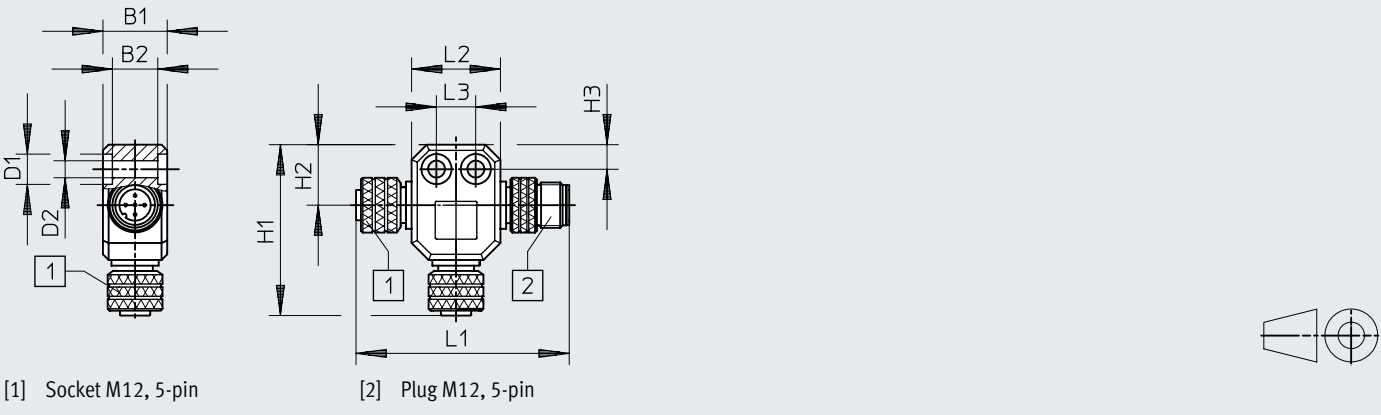
Datasheet

Wiring (socket/plug view)	Wiring	
<p>FB-TA</p> 		
<p>NEDU-L2R1-V10</p> 		

Datasheet

Dimensions – FB-TA

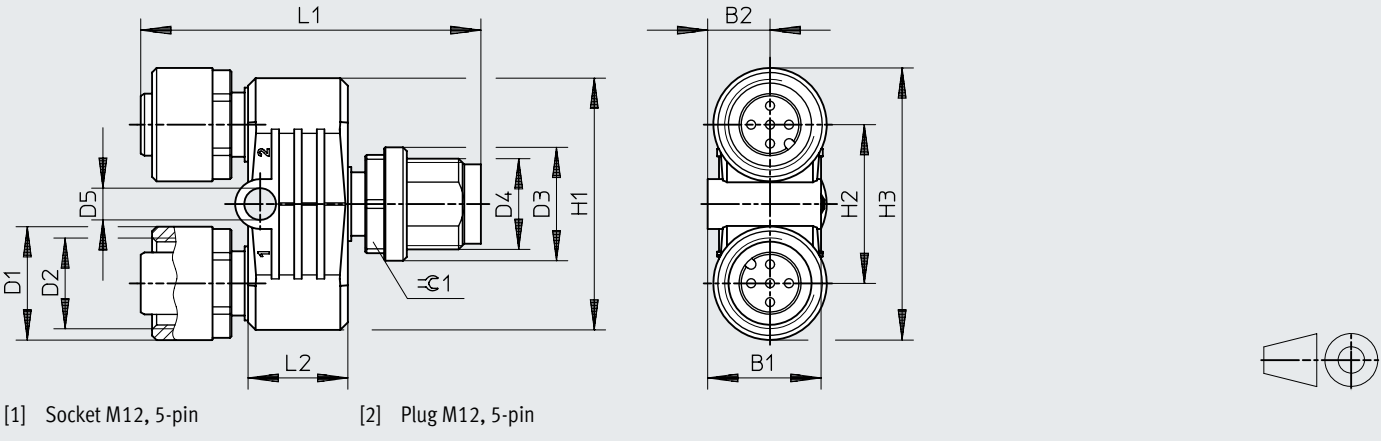
Download CAD data → www.festo.com



Type	B1	B2	D1	D2	H1	H2	H3	L1	L2	L3
FB-TA	17	12	8	4.5	45.2	16	6.5	57	23.5	10.4

Dimensions – NEDU-L2R1-V10

Download CAD data → www.festo.com



Type	B1	B2	D1	D2	D3	D4	D5	H1	H2	H3	L1	L2	±0.1
NEDU-L2R1-V10	15	8.3	15	M12x1	15	M12x1	4.2	33.3	21	36	45	13.2	13

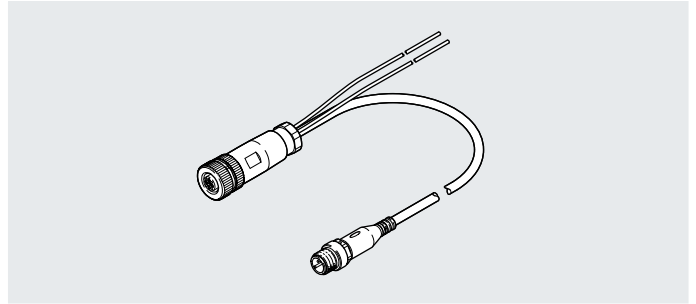
Ordering data

Electrical connection	Product weight [g]	Part no.	Type
Plug M12, 5-pin	–	171175	FB-TA-M12-5POL
	25	2839867	NEDU-L2R1-V10-M12G5-M12G5

Datasheet

Distributor NEDU-L1R2-V9

- Y-distributor
- For IO-Link®
- Enables separate supply of load voltage



General technical data

Based on standard	EN 61076-2-101
Design	Y-distributor with cable on controller side
Type of distributor	1 to 2
Cable identification	Without inscription label holder
Based on standard	EN 61076-2-101
Additional functions	Additional supply for port B
Contact durability	100

Technical data – Electrical connection 1

Function	Field device side
Connection type	Socket
Cable outlet	Straight
Design	Round
Connection technology	M12x1, A-coded to EN 61076-2-101
Number of pins/cores	5
Assigned pins/cores	5
Type of mounting	Screw lock with 18 mm hex and longitudinal knurl

Technical data – Electrical connection 2

Function	IO-Link®
	Communication
Connection type	Plug
Cable outlet	Straight
Design	Round
Connection technology	M12x1, A-coded to EN 61076-2-101
Number of pins/cores	3
Assigned pins/cores	3
Type of mounting	Screw lock with 13 mm hex and longitudinal knurl

Technical data – Electrical connection 3

Function	Additional supply
Connection type	2x single cores
Connection technology	Open end
Number of pins/cores	2
Assigned pins/cores	2

Datasheet

Technical data – Electrical		
Nominal operating voltage	[V DC]	24
Operating voltage range	[V DC]	0 ... 30
Surge resistance	[kV]	0.8
Current rating at 40 °C	[A]	4
Protective earth connection		Not provided
Shielding		No

Technical data – Cable 1		
Cable diameter	[mm]	3.8
Cable diameter tolerance	[mm]	±0.1
Cable composition	[mm ²]	3x0.25
Nominal conductor cross-section	[mm ²]	0.25
Cable characteristic		For static applications
Bending radius, fixed cable installation	[mm]	≥11.7
Cable length	[m]	1

Technical data – Cable 2		
Cable diameter	[mm]	1.75
Cable diameter tolerance	[mm]	±0.05
Cable composition	[mm ²]	2x0.5
Nominal conductor cross-section	[mm ²]	0.5
Bending radius, fixed cable installation	[mm]	≥6
Cable length	[m]	1

Materials	
Housing	PA
	TPE-U(PUR)
Housing colour	Black
Screw-type lock	Nickel-plated brass
	Nickel-plated die-cast zinc
Seals	NBR
Pin contacts	Nickel-plated and gold-plated bronze
	Gold-plated brass
Cable sheath	TPE-U(PUR)
Cable sheath colour	Grey
Insulating sheath	PVC
Note on materials	RoHS-compliant
LABS (PWIS) conformity	VDMA24364-B2-L

Y-distributor with cable, socket M12, 5-pin

Datasheet

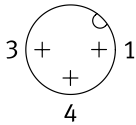
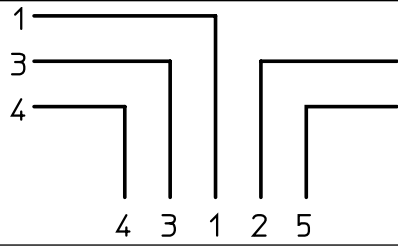
Operating and environmental conditions

Ambient temperature [°C]	-30 ... +80
Storage temperature [°C]	-30 ... +80
Degree of protection	IP65 IP68 IP69K
Note on degree of protection	When mounted IP40 for M12 socket
CE marking (see declaration of conformity) ²⁾	To EU RoHS Directive
UKCA marking (see declaration of conformity) ²⁾	To UK RoHS regulations
Corrosion resistance class CRC ¹⁾	1
Pollution degree	3

1) More information www.festo.com/x/topic/crc

2) More information www.festo.com/catalogue/... → Support/Downloads.

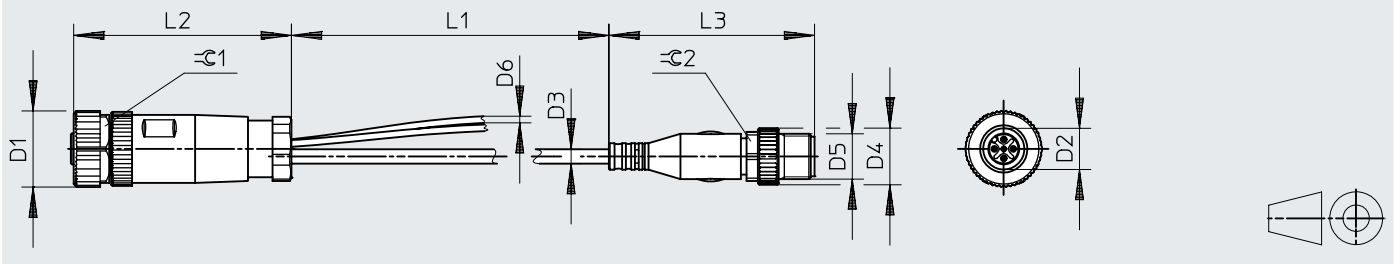
Wiring (socket/plug view)

Electrical connection 2	Wiring	Electrical connection 3
		Wire colour ¹⁾
		RD
		BK

1) According to IEC 757

Dimensions

Download CAD data → www.festo.com



Type	D1	D2	D3	D4	D5	D6	L1	L2	L3	ϕ1	ϕ2
NEDU-L1R2	20.2	M12x1	3.8	15	M12x1	1.75	1000	54	54.5	18	13

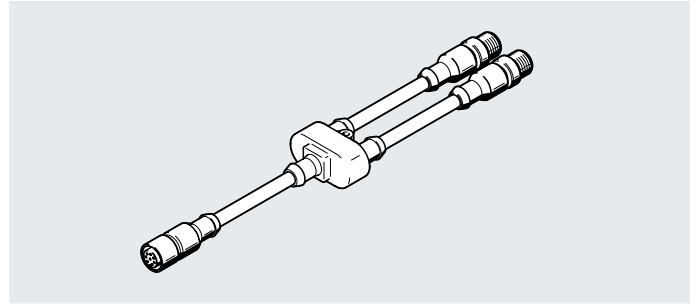
Ordering data

Electrical connection	Product weight [g]	Part no.	Type
Socket M12, 5-pin	72.5	8091516	NEDU-L1R2-M12G5-M12LE-1R

Datasheet

Connecting cable NEBV-M12G8
DUO cable NEDU-L1R2-V9

- Y-distributor
- For proportional pressure regulators



General technical data		
Type	NEBV-M12G8	NEDU-L1R2-V9
Design	Y-distributor with cables on both sides	Y-distributor with cable on field device and controller sides
Type of distributor	1 to 2	1 to 2
Type of mounting	Via through-hole for M3 screw	–
Cable designation	Without inscription label holder	Without inscription label holder
Based on standard	–	EN 61076-2-101
Conforms to standard	EN 61076-2-101	–
Additional functions	Distribution of the analogue inputs and outputs of a proportional pressure regulator	Connection of sensor and controller to proportional pressure regulator

Technical data – Electrical connection 1		
Type	NEBV-M12G8	NEDU-L1R2-V9
Function	Field device side	
Connection type	Socket	
Cable outlet	Straight	
Design	Round	
Connection technology	M12x1, A-coded to EN 61076-2-101	
Number of pins/cores	8	
Assigned pins/cores	5	6
Type of mounting	Screw-type lock	

Technical data – Electrical connection 2		
Type	NEBV-M12G8	NEDU-L1R2-V9
Function	Controller side	
Connection type	Plug	Cable
Cable outlet	Straight	–
Design	Round	–
Connection technology	M12x1, A-coded to EN 61076-2-101	Open end
Number of pins/cores	4	5
Assigned pins/cores	4	5
Type of mounting	Screw-type lock	–

Technical data – Electrical connection 3		
Type	NEBV-M12G8	NEDU-L1R2-V9
Function	Control side	Field device side
Connection type	Plug	Cable
Cable outlet	Straight	–
Design	Round	–
Connection technology	M12x1, A-coded to EN 61076-2-101	Open end
Number of pins/cores	4	3
Assigned pins/cores	3	3
Type of mounting	Screw-type lock	–

Datasheet

Technical data – Electrical		
Operating voltage range	[V DC]	0 ... 30
	[V AC]	0 ... 30
Surge resistance	[kV]	0.8
Current rating at 40 °C	[A]	2
Shielding		Yes

Technical data – Cable			
Type		NEBV-M12G8	NEDU-L1R2-V9
Cable diameter 1	[mm]	6.3	5.3
Cable diameter 2	[mm]	6.3	4.5
Cable diameter tolerance	[mm]	±0.2	–
Cable composition	[mm ²]	8 x 0.25	3x0.25
		–	5x0.25
Nominal conductor cross-section	[mm ²]	0.25	0.25
Cable characteristic		Standard	–
Bending radius, fixed cable installation	[mm]	≥33	–
Bending radius, flexible cable installation	[mm]	≥66	–

Materials			
Type		NEBV-M12G8	NEDU-L1R2-V9
Housing		TPE-U(PUR)	TPE-U(PUR)
Housing colour		Black	Black
Screw-type lock		Nickel-plated brass	Nickel-plated brass
Seals		NBR	FPM
Pin contacts		Nickel-plated and gold-plated brass	Gold-plated brass
Cable sheath		TPE-U(PUR)	TPE-U(PUR)
Cable sheath colour		Grey	Black
Insulating sheath		PP	PVC
Note on materials		RoHS-compliant	RoHS-compliant
		Halogen-free	–
LABS (PWIS) conformity		VDMA24364-B2-L	VDMA24364-B2-L

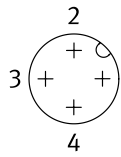
Operating and environmental conditions			
Type		NEBV-M12G8	NEDU-L1R2-V9
Ambient temperature	[°C]	–25 ... +80	
Ambient temperature with flexible cable installation	[°C]	–5 ... +80	
Degree of protection		IP67	IP65, IP67
Note on degree of protection		When mounted	When mounted
Corrosion resistance class CRC ¹⁾		2	
Pollution degree		3	
CE marking (see declaration of conformity) ²⁾		To EU RoHS Directive	
UKCA marking (see declaration of conformity) ²⁾		To UK RoHS regulations	

1) More information www.festo.com/x/topic/crc2) More information www.festo.com/catalogue/... → Support/Downloads.

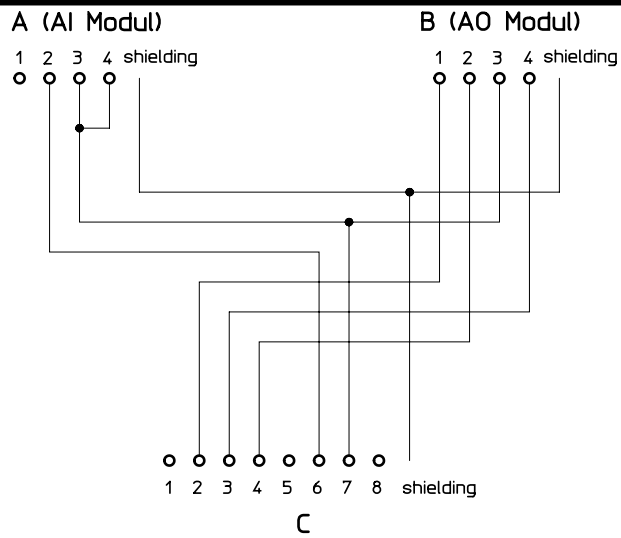
Datasheet

Wiring (socket/plug view) – NEBV-M12G8

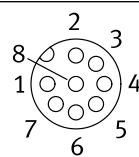
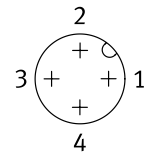
Electrical connection 3



Wiring



Electrical connection 3

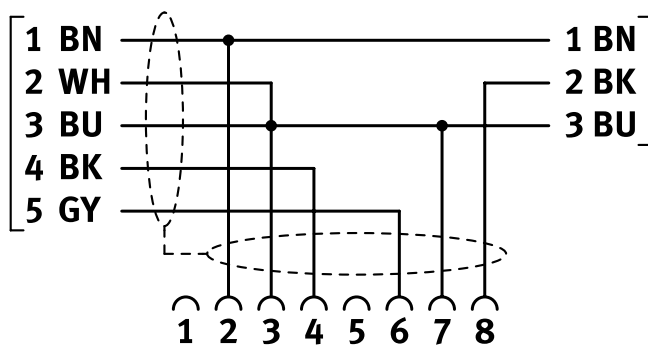


Circuitry (socket/plug view) – NEDU-L1R2-V9

Electrical connection 3

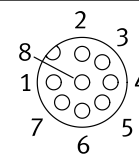
Wire colour ¹⁾	No.
BN	1
WH	2
BU	3
BK	4
GY	5

Wiring



Electrical connection 2

No.	Wire colour ¹⁾
1	BN
2	BK
3	BU



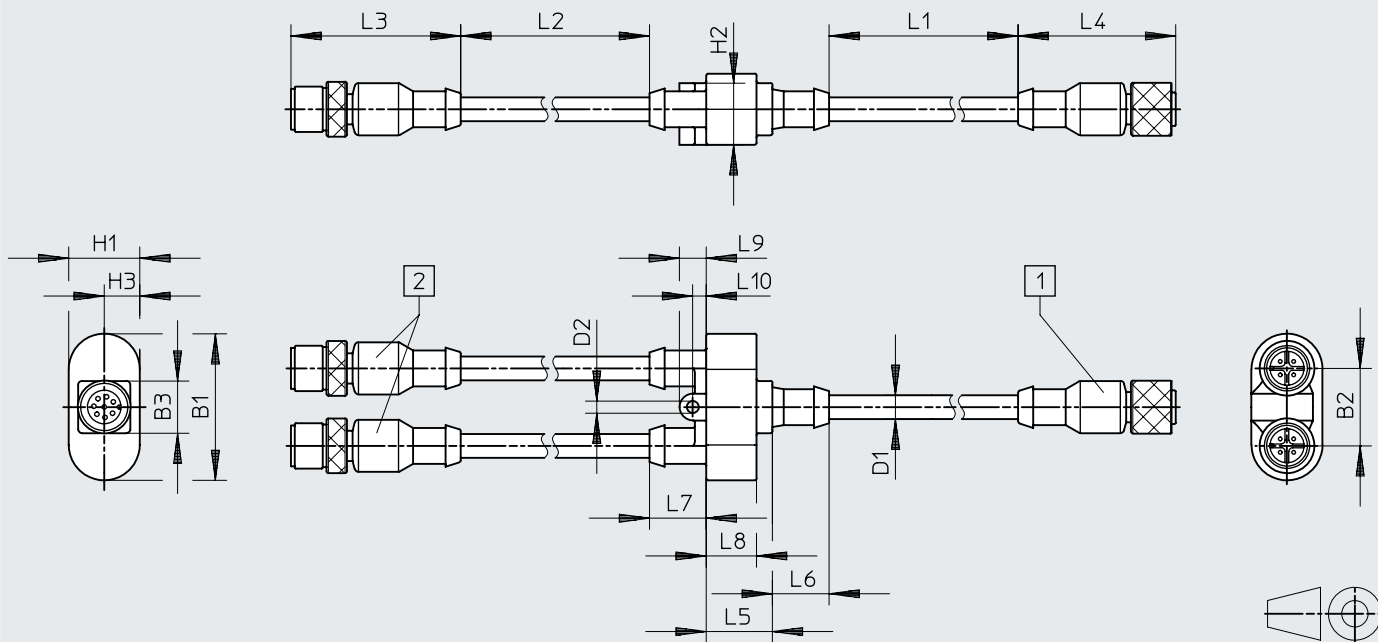
1) To IEC 757

Datasheet

Dimensions

Download CAD data → www.festo.com

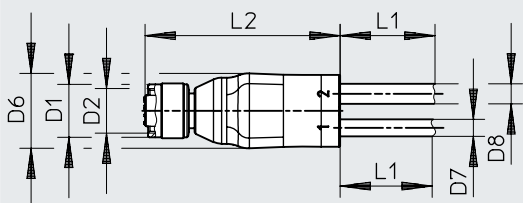
NEBV-M12G8



[1] Socket M12, 8-pin

[2] Plug M12, 4-pin

NEDU-L1R2-V9



Type	B1	B2	B3	D1	D2	D6	D7	D8	H1	H2	H2	L1	L2	L3	L4	L5	L6	L7	L8	L9	L10
NEBV-M12G8	38.8	20.5	13.8	6.3	3.2	-	-	-	18.8	16.3	9.4	2500	500	44.9	41.7	17.5	15	15	13.3	7.1	3.6
NEDU-L1R2-V9	-	-	-	14.5	M12	20	4.5	5.3	-	-	-	5000	51.6	-	-	-	-	-	-	-	-

Ordering data

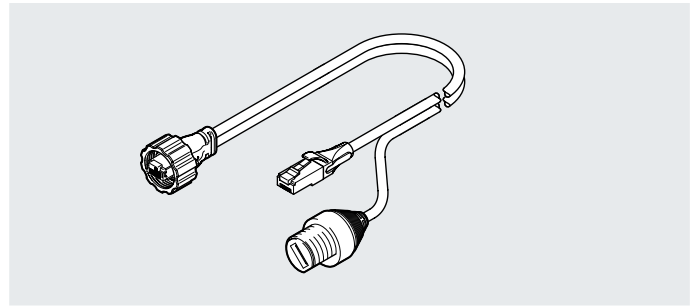
Electrical connection		Product weight [g]	Part no.	Type
Socket M12, 8-pin	<ul style="list-style-type: none"> Plug M12, 4-pin Plug M12, 4-pin 	-	547888	NEBV-M12G8-KD-3-M12G4
Socket M12, 8-pin	<ul style="list-style-type: none"> Open cable end, 3-core Open cable end, 5-core 	377	2903567	NEDU-L1R2-V9-M12G8-E-LE5-5R1-LE3-5R2

Datasheet

Distributors

NEDU-L1R2-R3L1G12M22

- Y-distributor
- For control unit CDPX



General technical data		
Conforms to standard	IEC 60603-7-3	
Transmission characteristics	In accordance with category 5, EN 50173, class D	
	In accordance with category 5, ISO/IEC 11801, class D	
Cable designation	Without inscription label holder	
Technical data – Electrical connection 1		
Function	Field device side	
Connection type	Plug	
Cable outlet	Straight	
Design	Square	
Connection technology	Circuit board plug connector RJ45	
Number of pins/cores	12	
Assigned pins/cores	12	
Type of mounting	Screw-type lock	
Tightening torque	[Nm]	3
Technical data – Electrical connection 2		
Function	Controller side	
Connection type	Plug	
Cable outlet	Straight	
Design	Square	
Connection technology	RJ45	
Number of pins/cores	8	
Assigned pins/cores	8	
Type of mounting	Snap-locking	
Technical data – Electrical connection 3		
Function	Controller side	
Connection type	Socket	
Cable outlet	Straight	
Design	Square	
Connection technology	USB 2.0 type B	
Number of pins/cores	4	
Assigned pins/cores	4	
Technical data – Electrics		
Operating voltage range	[V DC]	0 ... 60
Current rating at 40 °C	[A]	1
Shielding	Yes	

Datasheet

Technical data – Cable

Cable diameter 1	[mm]	5.6
Cable diameter 2	[mm]	4.5
Cable diameter tolerance	[mm]	±0.2
Cable characteristic		For static applications
Bending radius, fixed cable installation	[mm]	≥30
Cable length1	[m]	5
Cable length2	[m]	1

Materials

Housing		PC
Housing colour		Transparent
Screw-type lock		High-alloy stainless steel
Seals		TPE-V
Pin contacts		Nickel-plated and gold-plated brass
Cable sheath		PVC
Cable sheath colour		Black
Insulating sheath		PVC
Note on materials		RoHS-compliant
LABS (PWIS) conformity		VDMA24364 zone III

Operating and environmental conditions

Ambient temperature	[°C]	-20 ... +55
Storage temperature	[°C]	-20 ... +70
Corrosion resistance class CRC ¹⁾		4
Relative humidity	[%]	5 ...85
		Non-condensing
CE marking (see declaration of conformity) ²⁾		To EU EMC Directive
		To EU RoHS Directive
UKCA marking (see declaration of conformity) ²⁾		To UK EMC regulations
		To UK RoHS regulations
Degree of protection		IP20; IP66; IP67
Note on degree of protection		When mounted
Certification		c UL us - Listed (OL)
		RCM
Certificate-issuing authority		UL E239998

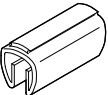
1) More information www.festo.com/x/topic/crc

2) More information www.festo.com/catalogue/... → Support/Downloads.

Ordering data

Electrical connection		Product weight [g]	Part no.	Type
Circuit board plug connector RJ45	<ul style="list-style-type: none"> RJ45 plug USB 2.0 Type B socket 	520	8155230	NEDU-L1R2-R3L1G12M22-5L1-1L2-P-N-R3U1G12

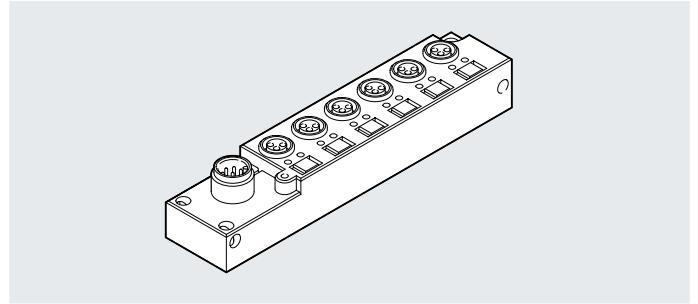
Ordering data – Accessories

			Part no.	Type
	Inscription labels for attaching to a cable with diameter 5 ... 8 mm	11x20 mm	33361	KM-BZ

Datasheet

Multi-pin plug distributor NEDU-L

- Multi-pin plug distributor
- Particularly compact



General technical data

Electrical connection	Straight plug, M12, 8-pin	
	Straight socket, M8, 3-pin	
Mounting position	Any	
Operating voltage range	[V DC]	10 ... 30
Current rating	[A]	3
Acceptable current load per slot	[A]	2
Ready status indication	Green LED	
Status indicator	Yellow LED	
Degree of protection to EN 60529	IP68	

Materials

Housing	Reinforced PBT	
Housing colour	Grey	
Seals	FPM	
Pin contacts	Nickel-plated and gold-plated	
Socket	Nickel-plated brass	
Note on materials	RoHS-compliant	
LABS (PWIS) conformity	VDMA24364 zone III	

Operating and environmental conditions

Ambient temperature	[°C]	-20 ... +80
Corrosion resistance class CRC ¹⁾	3	

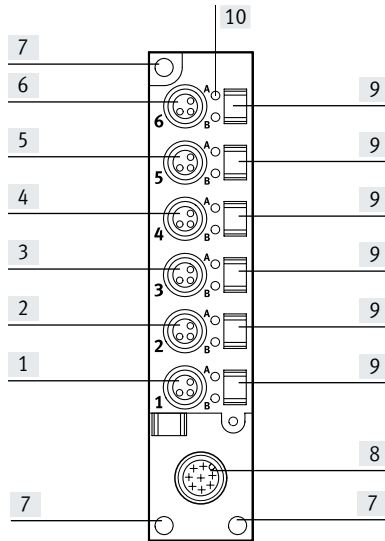
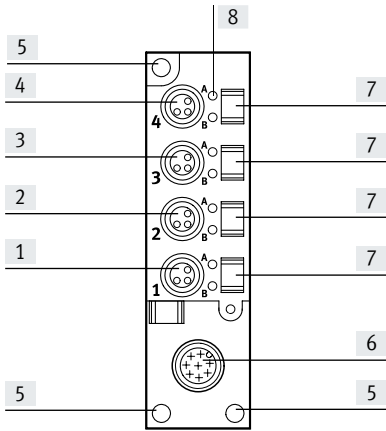
1) More information: www.festo.com/x/topic/crc

Datasheet

Connection and display components

NEDU-L4R1-M8G3L-M12G8

NEDU-L6R1-M8G3L-M12G8



- [1] Sensor connection, position 1
- [2] Sensor connection, position 2
- [3] Sensor connection, position 3
- [4] Sensor connection, position 4
- [5] Mounting holes
- [6] Multi-pin plug connection
- [7] Holder for inscription label (ASLR-L-55)
- [8] LED for status indication

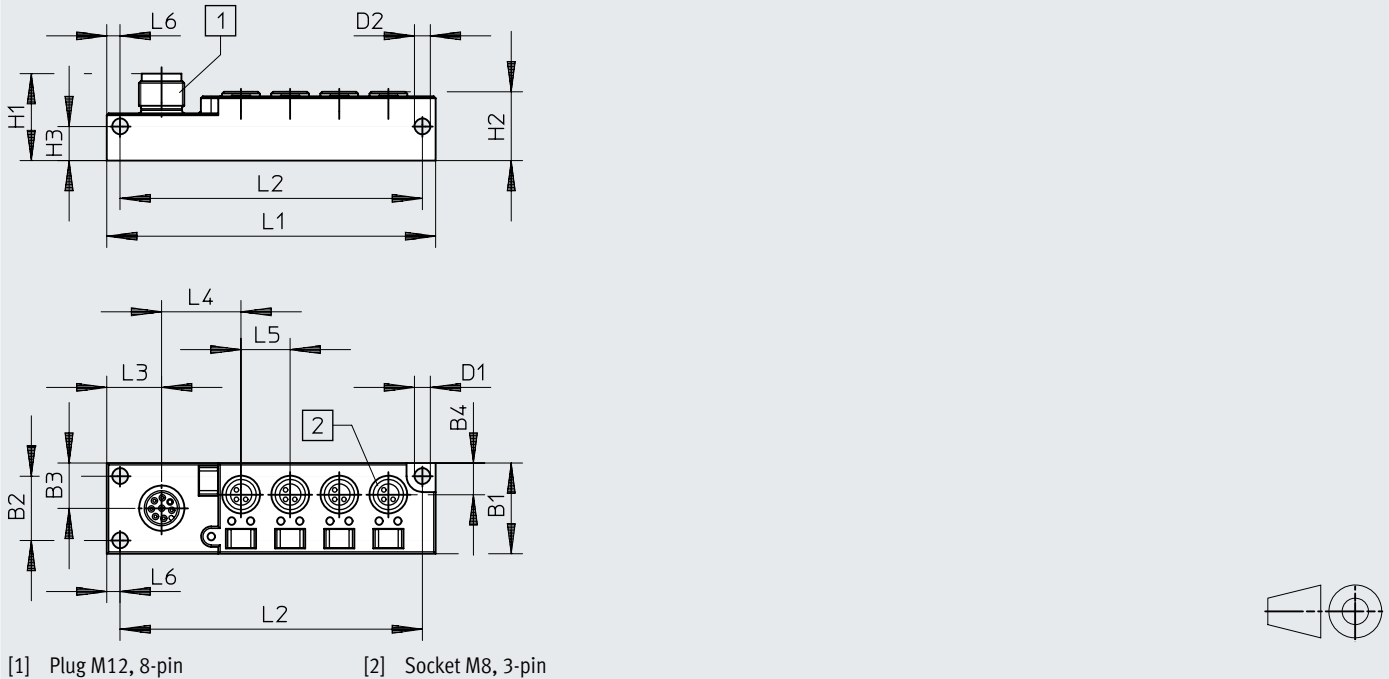
- [1] Sensor connection, position 1
- [2] Sensor connection, position 2
- [3] Sensor connection, position 3
- [4] Sensor connection, position 4
- [5] Sensor connection, position 5
- [6] Sensor connection, position 6
- [7] Mounting holes
- [8] Multi-pin plug connection
- [9] Holder for inscription label (ASLR-L-55)
- [10] LED for status indication

Wiring (socket/plug view)

Individual connection		Allocation		Multi-pin plug connection	
	Position	Pin		Pin	
	1	1	+UB	5	
		3	-UB	7	
		4	Input ₁	1	
	2	1	+UB	5	
		3	-UB	7	
		4	Input ₂	2	
	3	1	+UB	5	
		3	-UB	7	
		4	Input ₃	3	
	4	1	+UB	5	
		3	-UB	7	
		4	Input ₄	4	
	5	1	+UB	5	
		3	-UB	7	
		4	Input ₅	6	
	6	1	+UB	5	
		3	-UB	7	
		4	Input ₆	8	

Datasheet

Dimensions

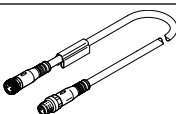

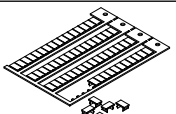
Download CAD data → www.festo.com

Type	B1	B2	B3	B4	D1 ∅	D2 ∅	H1	H2	H3	L1	L2	L3	L4	L5	L6
NEDU-L4R1-M8G3L-M12G8	24	17	12	8.4	4.2	4.2	23	18.2	9	87	80	14.5	21	13	3.5
NEDU-L6R1-M8G3L-M12G8	24	17	12	8.4	4.2	4.2	23	18.2	9	113	106	14.5	21	13	3.5

Ordering data

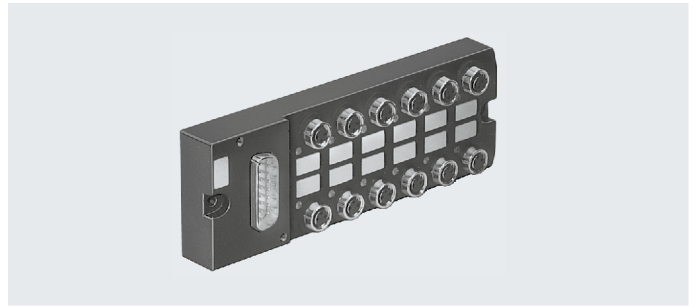
Electrical connection	Weight [g]	Part no.	Type
Plug M12, 8-pin	4x socket M8, 3-pin	574586	NEDU-L4R1-M8G3L-M12G8
	6x socket M8, 3-pin	574587	NEDU-L6R1-M8G3L-M12G8

Ordering data – Accessories

Designation	Part no.	Type
Connecting cable		
 Socket M12, 8-pin, straight Open cable end, 8-core	Length: 2 m	525616 SIM-M12-8GD-2-PU
	Length: 5 m	525618 SIM-M12-8GD-5-PU
	Length: 10 m	570008 SIM-M12-8GD-10-PU
	Modular system for a choice of connecting cables	–
Cover cap		
 Cover cap for closing off unused connections (pack of 10)	For M8 connections	177672 ISK-M8
Inscription labels		
 Inscription labels in frames, pack of 1000	5x5 mm	574590 ASLR-L-55

Datasheet

Multi-pin plug distributors MPV



General technical data

Electrical connection technology for I/O	M8, 3-pin
Type of mounting	Optionally with DIN rail, with through-hole
Operating voltage range [V DC]	10 ... 30
Current rating [A]	4
Acceptable current load per slot [A]	1
Degree of protection to EN 60529	IP65, in assembled state

Materials

Housing	Reinforced PA6
Socket	Brass
LABS (PWIS) conformity	VDMA24364-B2-L

Operating and environmental conditions

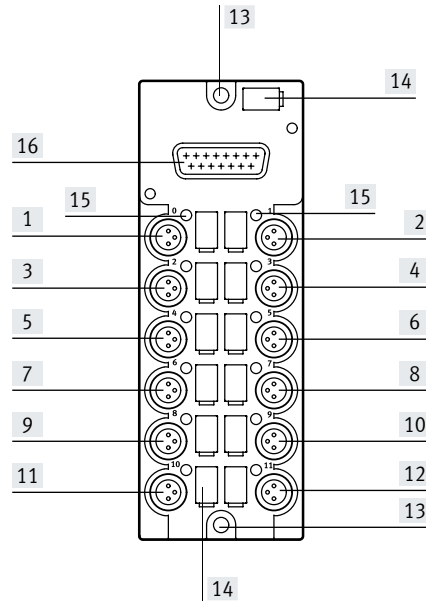
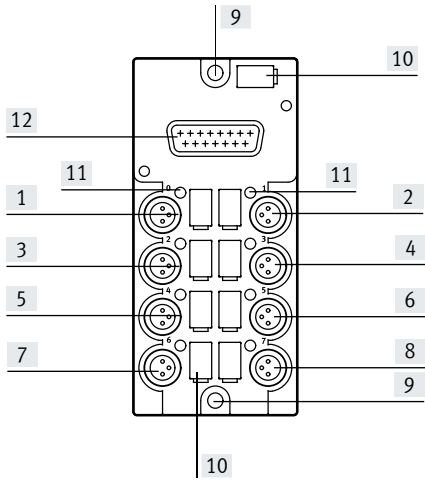
Ambient temperature [°C]	-20 ... +80
--------------------------	-------------

Datasheet

Connection and display components

MPV-E/A08-M8

MPV-E/A12-M8



- [1] Sensor connection, position 1
- [2] Sensor connection, position 2
- [3] Sensor connection, position 3
- [4] Sensor connection, position 4
- [5] Sensor connection, position 5
- [6] Sensor connection, position 6
- [7] Sensor connection, position 7
- [8] Sensor connection, position 8
- [9] Mounting holes
- [10] Holder for inscription label (IBS-6x10)
- [11] LED for status indication
- [12] Multi-pin plug connection

- [1] Sensor connection, position 1
- [2] Sensor connection, position 2
- [3] Sensor connection, position 3
- [4] Sensor connection, position 4
- [5] Sensor connection, position 5
- [6] Sensor connection, position 6
- [7] Sensor connection, position 7
- [8] Sensor connection, position 8
- [9] Sensor connection, position 9
- [10] Sensor connection, position 10
- [11] Sensor connection, position 11
- [12] Sensor connection, position 12
- [13] Mounting holes
- [14] Holder for inscription label (IBS-6x10)
- [15] LED for status indication
- [16] Multi-pin plug connection

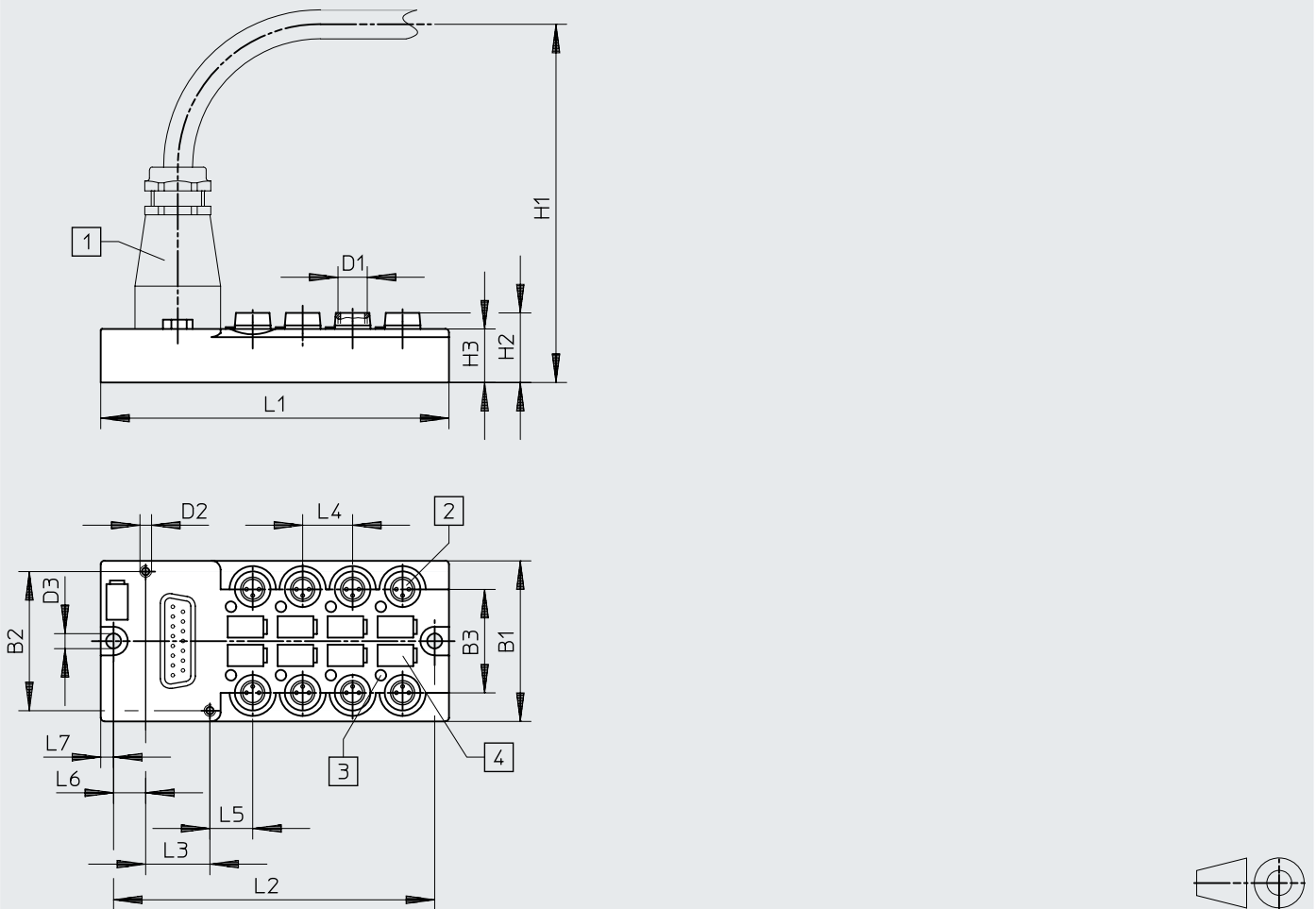
Wiring (socket/plug view)

Individual connection	Individual connection		Allocation		Multi-pin plug connection		Allocation		Individual connection	
	Position	Pin		Pin		Pin		Pin	Position	
	1	1	24 V DC	13		13	24 V DC	1	2	
		3	0 V	14/15		14/15	0 V	3		
		4	Input ₁	1		2	Input ₂	4		
	3	1	24 V DC	13		13	24 V DC	1	4	
		3	0 V	14/15		14/15	0 V	3		
		4	Input ₃	3		4	Input ₄	4		
	5	1	24 V DC	13		13	24 V DC	1	6	
		3	0 V	14/15		14/15	0 V	3		
		4	Input ₅	5		6	Input ₆	4		
	7	1	24 V DC	13		13	24 V DC	1	8	
		3	0 V	14/15		14/15	0 V	3		
		4	Input ₇	7		8	Input ₈	4		
9	1	24 V DC	13	13	24 V DC	1	10			
	3	0 V	14/15	14/15	0 V	3				
	4	Input ₉	9	10	Input ₁₀	4				
11	1	24 V DC	13	13	24 V DC	1	12			
	3	0 V	14/15	14/15	0 V	3				
	4	Input ₁₁	11	12	Input ₁₂	4				

Datasheet

Dimensions

Download CAD data → www.festo.com



[1] Connecting cable

[2] Socket M8, 3-pin

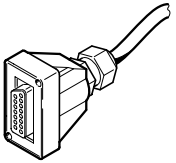
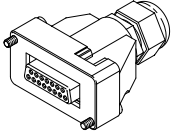
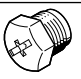
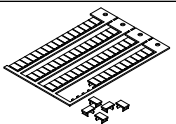
[3] Switching status indication

[4] Inscription label

Type	B1	B2	B3	D1	D2	D3 ∅	H1	H2	H3	L1	L2	L3	L4	L5	L6	L7
MPV-E/A08-M8	45	39	29	M8	M3	4.2	126	19.5	15	98	90	18	14	12	9	4
MPV-E/A12-M8	45	39	29	M8	M3	4.2	126	19.5	15	126	118	18	14	12	9	4

Accessories

Ordering data		Weight	Part no.	Type
Electrical connection		[g]		
Sub-D plug, 15-pin	8x socket M8	100	177669	MPV-E/A08-M8
	12x socket M8	120	177670	MPV-E/A12-M8

Ordering data – Accessories				
Designation			Part no.	Type
Multi-pin plug connection				
	Plug socket with cable • Socket Sub-D, 15-pin • Open cable end, 15-core	5 m	177673	KMPV-SUB-D-15-5
		10 m	177674	KMPV-SUB-D-15-10
	Socket Sub-D, 15-pin		177675	SD-SUB-D-BU15
Cover cap				
	Cover cap for sealing unused connection sockets (pack of 10)	For M8 connections	177672	ISK-M8
Inscription labels				
	Inscription labels in frames, pack of 64	6x10 mm	18576	IBS-6x10