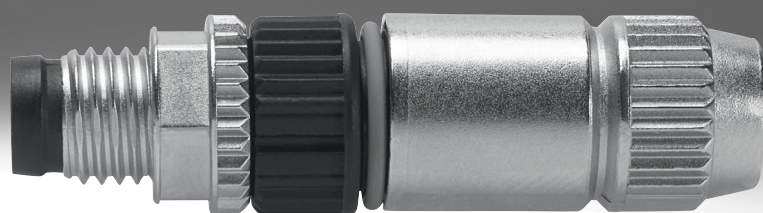


Universal plugs, for self-assembly

FESTO



Product range overview

Function	Version	Type	Connection technology	Connection cross-section [mm ²]	Degree of protection	Bus protocol/ activation	→ Page/ Internet
Plug	Round plug M8						
	3-pin	NECU-S-M8G3-HX	Harax [®] quick connector	0.1 ... 0.14 0.14 ... 0.34	IP65, IP67	–	4
	4-pin	NECU-S-M8G4-HX	Harax [®] quick connector	0.14 ... 0.34	IP65, IP67	–	6
		NECU-S-M8G4-C2	Screw terminal	0.14 ... 0.5	IP67	–	6
	Round plug M12, A-coded						
	3-pin	NECU-S-M12G3-HX	Harax [®] quick connector	0.14 ... 0.34	IP65, IP67	–	8
	4-pin	NECU-M-S-A12G4	Spring-loaded terminal	0.14 ... 0.5	IP65, IP67	–	10
		NECU-S-M12G4-HX	Harax [®] quick connector	0.14 ... 0.34 0.34 ... 0.75	IP65, IP67	–	10
		NECU-S-M12G4-...-IS	Screw terminal	0.14 ... 0.5 0.75	IP65, IP67	–	10
	5-pin	FBS-M12-5GS	Screw terminal	0.75	IP67	–	14
	Round plug M12, B-coded						
	5-pin	NECU-M-S-B12G5	Screw terminal	0.14 ... 0.75	IP67	PROFIBUS	14
	Round plug M12, D-coded						
	4-pin	NECU-M-S-D12G4	Screw terminal, can be shielded	0.14 ... 0.75	IP67	Ethernet	10
	Plug connector, square design						
	4-pin	NECU-S-ECG4	Insulation displacement connector	0.14	IP40	–	16
	7-pin	NECU-L3G7-C1	Spring-loaded terminal	0.2 ... 2.5	–	–	18
	8-pin	NECU-L3G8-C1	Spring-loaded terminal	0.2 ... 2.5	–	–	19
		NECU-L3G8-C2	Screw terminal	0.2 ... 2.5	–	–	19
	Sub-D plug						
	9-pin	NECU-S1W9-C2-APB	IDC terminal	0.08 ... 0.5	IP20	PROFIBUS	21

Product range overview

Function	Version	Type	Connection technology	Connection cross-section [mm ²]	Degree of protection	Bus protocol/ activation	→ Page/ Internet
Socket	Round plug M12						
	4-pin	SIE FBSD	Screw terminal	0.25 ... 0.75	IP67	–	23
	5-pin	NECU-M-B12G5 FBSD-GD-9-5POL	Screw terminal	0.14 ... 0.75	IP67	–	25
	Round plug 7/8"						
	4-pin	NECU-G78G4	Screw terminal	max. 1.5	IP67	–	27
	5-pin	NECU-G78G5	Screw terminal	max. 1.5	IP67	–	29
	Push-pull connector						
	5-pin	NECU-M-PPG5PP	Spring-loaded terminal	0.75 ... 2.5	IP65, IP67	PROFINET	31
	Sub-D plug						
	9-pin	NECU-S1W9-C2-ACO	Screw terminal, can be shielded	0.14 ... 0.5	IP20	CANopen	33

Datasheet

Plug
NECU-S-M8G3

- Plug
- 3-pin
- Can be assembled with any cable lengths



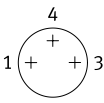
General technical data		NECU-S-M8G3-HX-Q3	NECU-S-M8G3-HX
Type			
Electrical connection		Straight plug, M8x1 3-pin Insulation displacement connector	
Operating voltage range	[V DC]	0 ... 32	
	[V AC]	0 ... 32	
Surge resistance	[kV]	0.8	
Current rating at 40 °C	[A]	2	4
Based on standard		EN 61076-2-104	EN 61076-2-104
		EN 61984	EN 61984
Permissible cable diameter	[mm]	2.1 ... 3.5	2.5 ... 5.1
Permissible single-wire diameter	[mm]	≥ 0.05	≥ 0.1
Connection cross-section	[mm ²]	0.1 ... 0.14	0.14 ... 0.34
Permissible core diameter	[mm]	0.6 ... 1	0.9 ... 1.6
Permissible insulating sheath		PP	PP
		PVC	PVC
		–	TPE-E
Contact durability		3	3
Max. tightening torque of locking mechanism	[Nm]	0.3	0.3
Degree of protection		IP65	IP65
		IP67	IP67

Materials	
Housing	PA
	Nickel-plated die-cast zinc
Screw-type lock	Nickel-plated brass
Seals	FPM
	PUR
Pin contact	Gold-plated
Note on materials	RoHS-compliant
LABS (PWIS) conformity	VDMA24364-B2-L

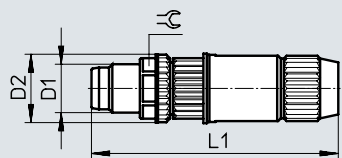
Operating and environmental conditions	
Ambient temperature	[°C] –25 ... +85
Corrosion resistance class CRC ¹⁾	1
Pollution degree	3
Certification	c UL us - Recognized (OL)

1) More information: www.festo.com/x/topic/crc

Datasheet

Pin allocation		
M8x1		
3-pin	Pin	Wire colour
	1	Brown
	3	Blue
	4	Black

Dimensions Download CAD data → www.festo.com



Type	D1	D2	L1	⌀
NECU-S-M8G	M8x1	11.5	40.8	9

Ordering data					
Electrical connection	Connection cross-section [mm ²]	Weight [g]	Part no.	Type	
Plug M8x1, 3-pin, straight, insulation displacement connector	0.1 ... 0.14	7.8	564945	NECU-S-M8G3-HX-Q3	
	0.14 ... 0.34	7.8	562024	NECU-S-M8G3-HX	

Plug, M8, 4-pin

Datasheet

Plug NECU-S-M8G4

- Plug
- 4-pin
- Can be assembled with any cable lengths



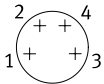
General technical data		NECU-S-M8G4-HX	NECU-S-M8G4-C2
Type			
Electrical connection		Straight plug, M8x1, A-coded to EN 61076-2-104	
		4-pin	
		Insulation displacement connector	Screw terminal
Type of mounting		–	Screw-type lock with AF9
Operating voltage range	[V DC]	0 ... 32	0 ... 30
	[V AC]	0 ... 32	0 ... 30
Surge resistance	[kV]	0.8	0.8
Current rating at 40 °C	[A]	4	4
Based on standard		EN 61076-2-104	–
		EN 61984	–
Conforms to standard		–	EN 61076-2-104
Transmission characteristics		–	DIN EN 50173/CAT 5
Cable diameter	[mm]	2.5 ... 5.1	3.5 ... 5.0
Single-wire diameter	[mm]	≥ 0.1	–
Connection cross-section	[mm ²]	0.14 ... 0.34	0.14 ... 0.5
Core diameter	[mm]	0.9 ... 1.6	–
Permissible insulating sheath		PP	–
		PVC	–
		TPE-E	–
Contact durability		3	100
Degree of protection		IP65	–
		IP67	IP67
Note on degree of protection		–	In mounted state

Materials		NECU-S-M8G4-HX	NECU-S-M8G4-C2
Type			
Housing		PA	PA
		Nickel-plated die-cast zinc	–
Housing colour		–	Black
Screw-type lock		Nickel-plated brass	Nickel-plated brass
Seals		FPM	–
		PUR	–
Pin contact		Gold-plated	Gold-plated brass
Note on materials		RoHS-compliant	RoHS-compliant
LABS (PWIS) conformity		VDMA24364-B2-L	VDMA24364-B2-L

Datasheet

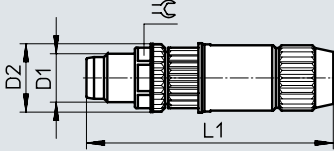
Operating and environmental conditions		
Type	NECU-S-M8G4-HX	NECU-S-M8G4-C2
Ambient temperature [°C]	-25 ... +85	-25 ... +85
Corrosion resistance class CRC ¹⁾	1	1
Pollution degree	3	3
Certification	c UL us - Recognized (OL)	-

1) More information: www.festo.com/x/topic/crc

Pin allocation		
M8x1		
4-pin	Pin	Wire colour
	1	-
	2	-
	3	-
	4	-

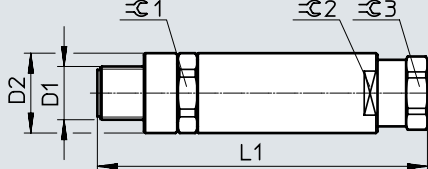
Dimensions

NECU-S-M8G4-HX



[Download CAD data → www.festo.com](http://www.festo.com)

NECU-S-M8G4-C2



Type	D1	D2	L1	Ø	Ø 1	Ø 2	Ø 3
NECU-S-M8G4-HX	M8x1	11.5	40.8	9	-	-	-
NECU-S-M8G4-C2	M8x1	12	49.6	-	12	11	10

Ordering data		Connection cross-section [mm ²]	Weight [g]	Part no.	Type
Electrical connection	Insulation displacement connector	0.14 ... 0.34	7.8	562025	NECU-S-M8G4-HX
	Screw terminal	0.14 ... 0.5	9.1	1068198	NECU-S-M8G4-C2

Datasheet

Plug
NECU-S-M12G3

- Plug
- 3-pin
- Can be assembled with any cable lengths



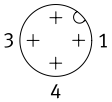
General technical data		NECU-S-M12G3-HX
Type		NECU-S-M12G3-HX
Electrical connection		Straight plug, M12x1
		3-pin
		Insulation displacement connector
Plug coding		A-coded
Operating voltage range	[V DC]	0 ... 32
	[V AC]	0 ... 32
Surge resistance	[kV]	0.8
Current rating at 40 °C	[A]	4
Based on standard		EN 61076-2-101
		EN 61984
Permissible cable diameter	[mm]	2.9 ... 5.1
Permissible single-wire diameter	[mm]	≥ 0.1
Connection cross-section	[mm ²]	0.14 ... 0.34
Permissible core diameter	[mm]	0.9 ... 1.6
Permissible insulating sheath		PP
		PVC
		TPE-E
Contact durability		3
Max. tightening torque of locking mechanism	[Nm]	0.5
Degree of protection		IP65
		IP67

Materials	
Housing	PA
	Nickel-plated die-cast zinc
Screw-type lock	Nickel-plated die-cast zinc
Seals	FPM
	PUR
Pin contact	Gold-plated
Note on materials	RoHS-compliant
LABS (PWIS) conformity	VDMA24364-B2-L

Datasheet

Operating and environmental conditions	
Ambient temperature [°C]	-25 ... +85
Corrosion resistance class CRC ¹⁾	1
Pollution degree	3
Certification	c UL us - Recognized (OL)

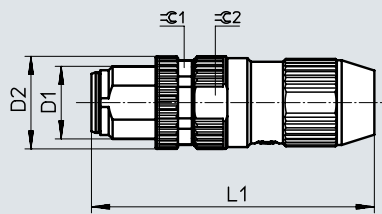
1) More information: www.festo.com/x/topic/crc

Pin allocation		
M12x1		
3-pin	Pin	Wire colour
	1	Brown
	3	Blue
	4	Black

Dimensions

[Download CAD data → www.festo.com](http://www.festo.com)

NECU-S-M12G3-HX



Type	D1	D2	L1	⌀	⌀1	⌀2
NECU-S-M12G3-HX	M12x1	15.3	46.75	-	13	14

Ordering data					
Electrical connection		Connection cross-section [mm ²]	Weight [g]	Part no.	Type
Plug M12x1, 3-pin, straight	Insulation displacement connector	0.14 ... 0.34	17.5	562027	NECU-S-M12G3-HX

Datasheet

Plug

NECU-M-S-A12G4

NECU-S-M12G4

NECU-M-S-D12G4

- Plug
- 4-pin
- Can be assembled with any cable lengths



General technical data		NECU-M-S-A12G4-IS	NECU-S-M12G4-HX	NECU-S-M12G4-HX-Q7
Type				
Electrical connection		Straight plug, M12x1 4-pin Spring-loaded terminal		
Plug coding		A-coded	A-coded	
Operating voltage range	[V DC]	0 ... 30	0 ... 32	0 ... 48
	[V AC]	–	0 ... 32	0 ... 48
Surge resistance	[kV]	–	0.8	0.8
Current rating at 40 °C	[A]	4	4	6
Based on standard		EN 61076-2-101	EN 61076-2-101	EN 61076-2-101
		–	EN 61984	EN 61984
Permissible cable diameter	[mm]	4.0 ... 8.0	2.9 ... 5.1	4.7 ... 6.0
Permissible single-wire diameter	[mm]	–	≥ 0.1	≥ 0.1
Connection cross-section	[mm ²]	0.14 ... 0.5	0.14 ... 0.34	0.34 ... 0.75
Permissible core diameter	[mm]	–	0.9 ... 1.6	1.6 ... 2.0
Permissible insulating sheath		–	PP	PVC
		–	PVC	–
		–	TPE-E	–
Contact durability		100	3	3
Max. tightening torque of locking mechanism	[Nm]	0.8	0.5	0.5
Degree of protection		IP65	IP65	IP65
		IP67	IP67	IP67

Materials		NECU-M-S-A12G4-IS	NECU-S-M12G4-HX	NECU-S-M12G4-HX-Q7
Type				
Housing		–	PA	PA
		Nickel-plated die-cast zinc	Nickel-plated die-cast zinc	Nickel-plated die-cast zinc
Screw-type lock		–	Nickel-plated die-cast zinc	Nickel-plated die-cast zinc
Seals		–	FPM	FPM
		–	PUR	PUR
Pin contact		Bronze, gold-plated	Gold-plated	Gold-plated
Note on materials		RoHS-compliant	RoHS-compliant	RoHS-compliant
LABS (PWIS) conformity		VDMA24364-B2-L	VDMA24364-B2-L	VDMA24364-B2-L

Operating and environmental conditions		NECU-M-S-A12G4-IS	NECU-S-M12G4-HX	NECU-S-M12G4-HX-Q7
Type				
Ambient temperature	[°C]	–40 ... +85	–25 ... +85	–25 ... +85
Corrosion resistance class CRC ¹⁾		–	1	1
Pollution degree		3	3	3
Certification		–	c UL us - Recognized (OL)	c UL us - Recognized (OL)

1) More information: www.festo.com/x/topic/crc

Datasheet

General technical data						
Type		NECU-S-M12G4-P1-Q6-IS	NECU-S-M12G4-D-IS	NECU-S-M12G4P1S	NECU-S-M12G4-P2-IS	NECU-M-S-D12G4-C2-ET
Operating voltage range	[V DC]	0 ... 30				0 ... 250
	[V AC]	–				0 ... 250
Surge resistance	[kV]	2.5				2.5
Current rating at 40 °C	[A]	4				–
Based on standard		EN 61076-2-101				EN 61076-2-101
		EN 61984				EN 61984
Transmission characteristics		–				DIN EN 50173/CAT 5
Permissible cable diameter	[mm]	2.5 ... 2.9	2x 3.0 or 2x 5.0	4.0 ... 6.0	6.0 ... 8.0	6.0 ... 8.0
Connection cross-section	[mm ²]	0.14 ... 0.5	0.75	0.75	0.75	0.14 ... 0.75
Contact durability		50				–
Degree of protection		IP65				–
		IP67				IP67

Technical data – Electrical connection 1						
Type		NECU-S-M12G4-P1-Q6-IS	NECU-S-M12G4-D-IS	NECU-S-M12G4-P1-IS	NECU-S-M12G4-P2-IS	NECU-M-S-D12G4-C2-ET
Electrical connection 1		–				Straight plug, M12x1, 4-pin, D-coded, can be shielded
Function		Field device side				–
Design		Round				–
Connection type		Plug				–
Cable outlet		Straight				–
Connection technology		M12x1, A-coded				–
Number of pins/cores		4				4
Type of mounting		Screw-type lock with 18 mm hex and longitudinal knurl				–

Technical data – Electrical connection 2						
Type		NECU-S-M12G4-P1-Q6-IS	NECU-S-M12G4-D-IS	NECU-S-M12G4-P1-IS	NECU-S-M12G4-P2-IS	NECU-M-S-D12G4-C2-ET
Electrical connection 2		–	–	–	–	Screw terminal, can be shielded
Connection type		Cable	2x cable	Cable	–	–
Connection technology		Screw terminal				–

Materials						
Type		NECU-S-M12G4-...-IS				NECU-M-S-D12G4-C2-ET
Housing		PA				Nickel-plated die-cast zinc
Pin contact		Brass				Gold-plated brass
		Coated white bronze				–
Note on materials		RoHS-compliant				RoHS-compliant
LABS (PWIS) conformity		VDMA24364-B2-L				VDMA24364-B2-L

Operating and environmental conditions						
Type		NECU-S-M12G4-...-IS				NECU-M-S-D12G4-C2-ET
Ambient temperature	[°C]	–25 ... +85				–25 ... +85
Corrosion resistance class CRC ¹⁾		–				1
Pollution degree		3				3
CE marking (see declaration of conformity) ²⁾		–				To EU Low Voltage Directive
UKCA marking (see declaration of conformity) ²⁾		–				To UK regulations for electrical equipment

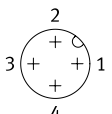
¹⁾ More information www.festo.com/x/topic/crc

²⁾ More information: www.festo.com/catalogue/... → Support/Downloads.

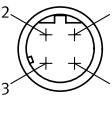
Datasheet

Pin allocation

M12x1, A-coded

4-pin	Pin	Wire colour
	1	Brown
	2	White
	3	Blue
	4	Black

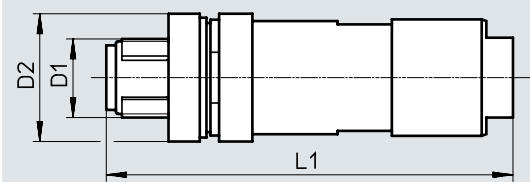
M12x1, D-coded

4-pin	Pin	Wire colour
	1	–
	2	–
	3	–
	4	–

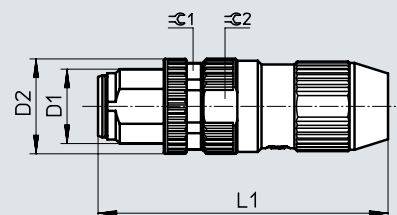
Dimensions

Download CAD data → www.festo.com

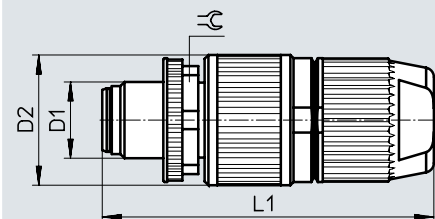
NECU-M-S-A12G4-IS



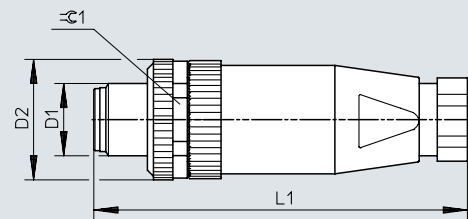
NECU-S-M12G4-HX



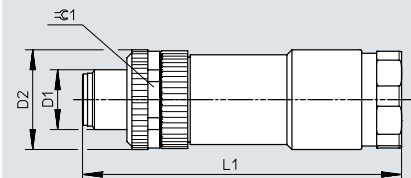
NECU-S-M12G4-HX-Q7



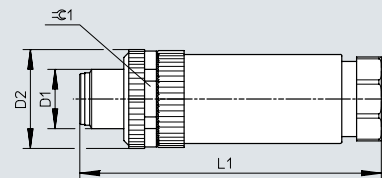
NECU-S-M12G4-P1



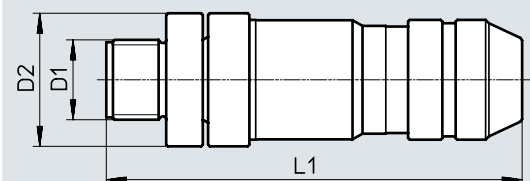
NECU-S-M12G4-D



NECU-S-M12G4-P2



NECU-M-S-D12G4-C2-ET



Type	D1	D2	L1	ϕ	ϕ1	ϕ2
NECU-M-S-A12G4-IS	M12x1	19.2	61.1	–	–	–
NECU-S-M12G4-HX	M12x1	15.3	46.75	–	13	14
NECU-S-M12G4-HX-Q7	M12x1	20.5	52.2	17	–	–
NECU-S-M12G4-P1	M12x1	20	62	–	–	–
NECU-S-M12G4-D	M12x1	20	62.6	–	–	–
NECU-S-M12G4-P2	M12x1	20	59.6	–	–	–
NECU-M-S-D12G4-C2-ET	M12x1	20	62.5	–	–	–

Datasheet

Ordering data		Connection cross-section [mm ²]	Weight [g]	Part no.	Type
Electrical connection					
Plug M12x1, 4-pin, straight, A-coded	Spring-loaded terminal	0.14 ... 0.5	38	575719	NECU-M-S-A12G4-IS
	Insulation displacement connector	0.14 ... 0.34	17.5	562028	NECU-S-M12G4-HX
		0.34 ... 0.75	33.3	564947	NECU-S-M12G4-HX-Q7
	Screw terminal	0.14 ... 0.5	18	570955	NECU-S-M12G4-P1-Q6-IS
		0.75	24	570956	NECU-S-M12G4-D-IS
		0.75	17	570953	NECU-S-M12G4-P1-IS
	0.75	18	570954	NECU-S-M12G4-P2-IS	
Plug M12x1, 4-pin, straight, D-coded	Screw terminal, can be shielded	0.14 ... 0.75	44.3	543109	NECU-M-S-D12G4-C2-ET

Datasheet

Plug

NECU-M-S-B12G5

FBS-M12-5GS

- Plug
- 5-pin
- B-coded for PROFIBUS
- A-coded for DeviceNet® and CANopen
- Can be assembled with any cable lengths



General technical data		
Type	NECU-M-S-B12G5	FBS-M12-5GS
Electrical connection	Straight plug, M12x1	
	5-pin	
	Screw terminal	
	Can be shielded	–
Plug coding	B-coded	A-coded
Operating voltage range	[V DC]	0 ... 60
	[V AC]	0 ... 60
Surge resistance [kV]	1.5	1.5
Current rating at 40 °C [A]	4	4
Based on standard	EN 61076-2-101	EN 61076-2-101
	EN 61984	EN 61984
Transmission characteristics	DIN EN 50173/CAT 5	–
Permissible cable diameter [mm]	6 ... 8	6 ... 8
Connection cross-section [mm ²]	0.14 ... 0.75	0.75
Cable fitting	–	Pg9
Degree of protection	IP67	IP67

Materials		
Type	NECU-M-S-B12G5	FBS-M12-5GS
Housing	Nickel-plated die-cast zinc	Reinforced PA
Housing colour	–	Black
Pin contact	Gold-plated brass	Nickel-plated and gold-plated brass
Union nut	–	Nickel-plated die-cast zinc
Note on materials	RoHS-compliant	RoHS-compliant
LABS (PWIS) conformity	VDMA24364-B2-L	VDMA24364-B2-L

Operating and environmental conditions		
Type	NECU-M-S-B12G5	FBS-M12-5GS
Ambient temperature [°C]	–25 ... +85	–40 ... +85
Corrosion resistance class CRC ¹⁾	1	1
Pollution degree	3	3
CE marking (see declaration of conformity) ²⁾	To EU Low Voltage Directive	To EU Low Voltage Directive
UKCA marking (see declaration of conformity) ²⁾	–	To UK regulations for electrical equipment

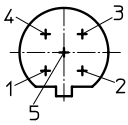
1) More information www.festo.com/x/topic/crc

2) More information: www.festo.com/catalogue/... → Support/Downloads.

Datasheet

Pin allocation

M12x1

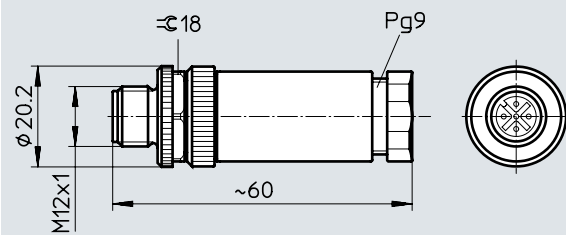
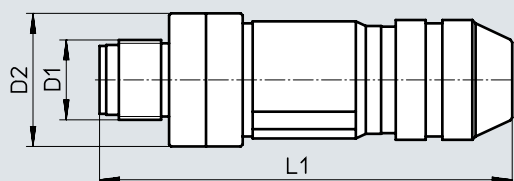
5-pin	Pin	Wire colour
	1	-
	2	-
	3	-
	4	-
	5	-

Dimensions

NECU-M-S-B12G5

Download CAD data → www.festo.com

FBS-M12-5GS



Type	D1	D2	L1
NECU-M-S-B12G5	M12	20	62.5

Ordering data

Electrical connection			Connection cross-section [mm ²]	Weight [g]	Part no.	Type
Plug M12x1, 5-pin, straight	Screw terminal, can be shielded	B-coded	0.14 ... 0.75	46.1	1066354	NECU-M-S-B12G5-C2-PB
	Screw terminal	A-coded	0.75	23.5	175380	FBS-M12-5GS-PG9

Plug, square, 4-pin

Datasheet

Plug NECU-S-ECG4

- Plug
- 4-pin
- Insulation displacement connection
- Can be assembled with any cable lengths



General technical data

Electrical connection	Straight plug, square design	
	4-pin	
	Insulation displacement connector	
Operating voltage range	[V DC]	0 ... 30
Surge resistance	[kV]	0.8
Current rating at 40 °C	[A]	3
Permissible single-wire diameter	[mm]	≥ 0.07
Connection cross-section	[mm ²]	0.14
Permissible core diameter	[mm]	0.8 ... 1.0
Permissible insulating sheath	PP	
	PVC	
	TPE-E	
Contact durability	1	
Type of mounting	Snap-in	
Degree of protection	IP40	

Materials

Housing	PBT	
	PC	
Pin contact	Gold-plated	
Note on materials	RoHS-compliant	
LABS (PWIS) conformity	VDMA24364-B1/B2-L	

Operating and environmental conditions

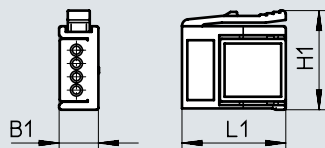
Ambient temperature	[°C]	-20 ... +60
Corrosion resistance class CRC ¹⁾	1	
Pollution degree	2	
Certification	c UL us - Recognized (OL)	

1) More information: www.festo.com/x/topic/crc

Datasheet

Dimensions

Download CAD data → www.festo.com



Type	B1	H1	L1
NECU-S-ECG4	5.9	14.9	15.6

Ordering data

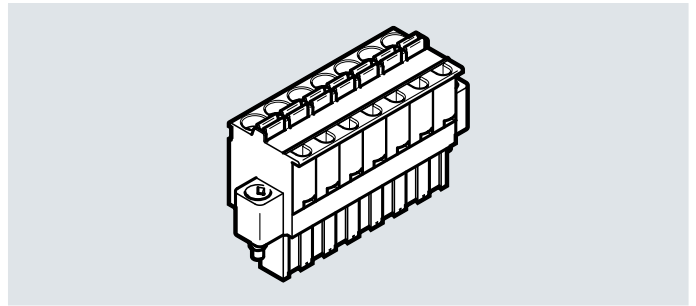
Electrical connection		Connection cross-section [mm ²]	Weight [g]	Part no.	Type
Plug, square design, 4-pin, straight	Insulation displacement connector	0.14	3.6	570922	NECU-S-ECG4-HX-Q3

Plug, terminal strip, 7-pin

Datasheet

Terminal strip NECU-L3G7

- Plug
- 7-pin
- Can be assembled with any cable lengths



General technical data

Electrical connection		Straight plug
		7-pin
		Spring-loaded terminal
Operating voltage range	[V DC]	0 ... 30
Surge resistance	[kV]	4
Current rating at 40 °C	[A]	12
Connection cross-section	[mm ²]	0.2 ... 2.5
Contact durability		100

Materials

Housing		PA
Pin contact		Tin-plated copper alloy
Note on materials		RoHS-compliant
LABS (PWIS) conformity		VDMA24364-B2-L

Operating and environmental conditions

Ambient temperature	[°C]	-40 ... +85
Corrosion resistance class CRC ¹⁾		2
Pollution degree		3
Certification		c UL us - Listed (OL)

1) More information: www.festo.com/x/topic/crc

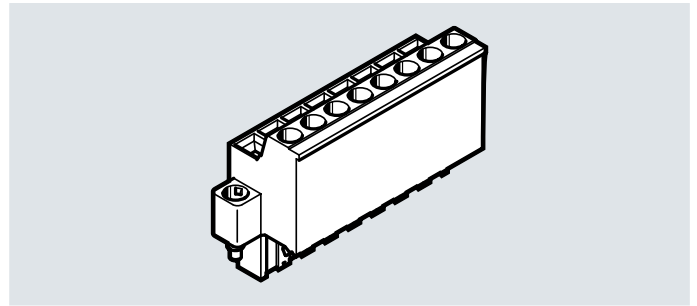
Ordering data

Electrical connection		Housing colour	Weight [g]	Part no.	Type
Plug, 7-pin, straight	Spring-loaded terminal	Black	12.8	576319	NECU-L3G7-C1

Datasheet

Terminal strip NECU-L3G8

- Plug
- 8-pin
- Can be assembled with any cable lengths
- The plugs meet the requirements of IEC 60079-11 with regard to air, leakage paths and isolation distances for the maximum intrinsically safe operating voltage of 30 V DC



General technical data			
Type		NECU-L3G8-C1	NECU-L3G8-C2
Electrical connection		Straight plug	
		8-pin	
		Spring-loaded terminal	Screw terminal
Operating voltage range	[V DC]	0 ... 30	0 ... 30
Surge resistance	[kV]	4	0.8
Current rating at 40 °C	[A]	12	12
Connection cross-section	[mm ²]	0.2 ... 2.5	0.2 ... 2.5
Contact durability		100	100
Max. tightening torque of locking mechanism	[Nm]	–	0.6

Materials	
Housing	PA
Pin contact	Tin-plated copper alloy
Note on materials	RoHS-compliant
LABS (PWIS) conformity	VDMA24364-B2-L

Operating and environmental conditions	
Ambient temperature	[°C] –40 ... +85
Corrosion resistance class CRC ¹⁾	2
Pollution degree	3

1) More information: www.festo.com/x/topic/crc

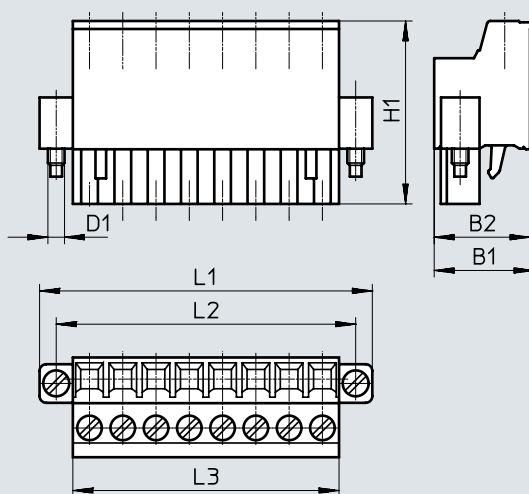
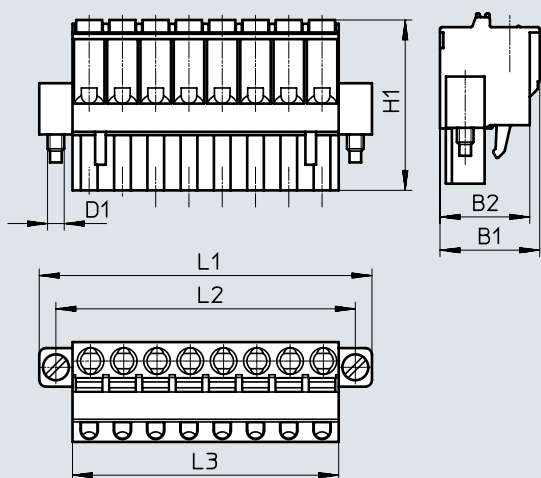
Datasheet

Dimensions

Download CAD data → www.festo.com

NECU-L3G8-C1

NECU-L3G8-C2



Type	B1	B2	D1	H1	L1	L2	L3
NECU-L3G8-C1	15	13.5	M2.5	25.6	50	45	40
NECU-L3G8-C2	15	14.4	M2.5	27.5	50	45	40

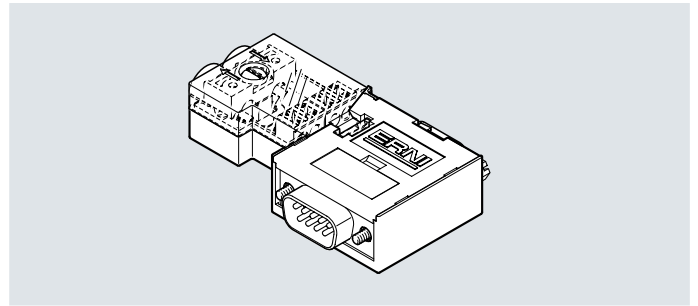
Ordering data

Electrical connection	Housing colour	Product weight [g]	Part no.	Type	
Plug, 8-pin, straight	Spring-loaded terminal	Black	36	565712	NECU-L3G8-C1
	Screw terminal	Blue	33	565711	NECU-L3G8-C1-IS
		Black	56	565710	NECU-L3G8-C2
		Blue	55.5	565709	NECU-L3G8-C2-IS

Datasheet

Plug NECU-S1W9

- Plug
- 9-pin
- Can be assembled with any cable lengths
- Plug for PROFIBUS with terminating resistor and programming interface



General technical data

Electrical connection	Sub-D plug
	9-pin
	IDC terminal
Programming interface	Sub-D socket
	9-pin
Baud rate	[Mbps] 12
Permissible cable diameter	[mm] 8
Connection cross-section	[mm ²] 0.08 ... 0.5
Type of mounting	4-40 UNC-2B
Degree of protection	IP20

Materials

Housing	Reinforced PC
Note on materials	RoHS-compliant
LABS (PWIS) conformity	VDMA24364-B2-L

Operating and environmental conditions

Ambient temperature	[°C] -20 ... +70
Corrosion resistance class CRC ¹⁾	1
Relative humidity	[%] 75 at 25 °C

1) More information: www.festo.com/x/topic/crc

Datasheet

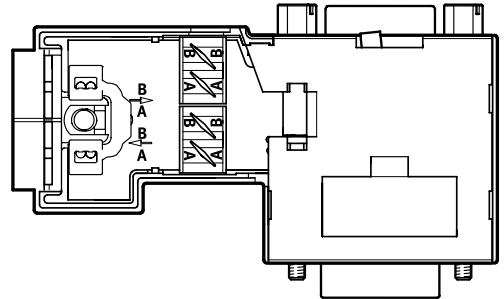
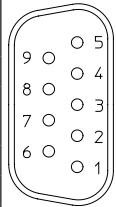
Pin allocation

Sub-D

9-pin

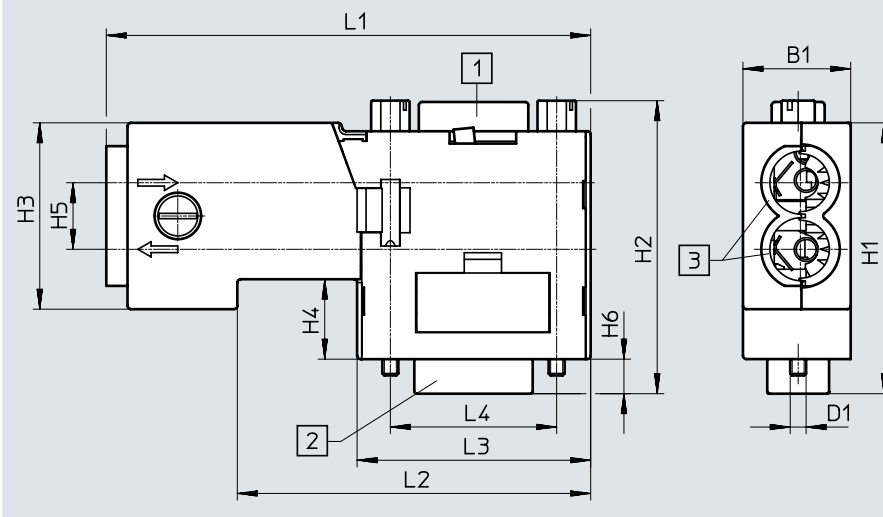
Pin	Wire colour	Signal	Terminal
1	–	–	–
2	–	–	–
3	Red	RxD/TxD-P	B
4	–	–	–
5	–	GND	–
6	–	VP (supply voltage)	–
7	–	–	–
8	Green	RxD/TxD-N	A
9	–	–	–
Housing	–	–	–

Sub-D plug



Dimensions

Download CAD data → www.festo.com



Type	B1	D1	H1	H2	H3	H4	H5	H6	L1	L2	L3	L4
NECU-S1W9-C2-APB	16.2	4-40UNC	40.7	44.2	28	12	10	5.2	72.8	53.1	35.1	25

Ordering data

Electrical connection	Connection cross-section [mm]	Weight [g]	Part no.	Type
Sub-D plug connector, 9-pin	IDC terminal	0.08 ... 0.5	574589	NECU-S1W9-C2-APB

Datasheet

Socket

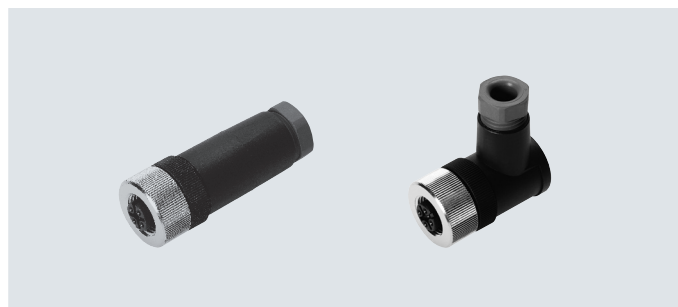
SIE-GD

FBSD-GD

SIE-WD-TR

FBSD-WD

- Socket
- 4-pin
- Can be assembled with any cable lengths



General technical data		SIE-GD	FBSD-GD-9	FBSD-GD-13.5	SIE-WD-TR	FBSD-WD-9
Type		Straight socket, M12x1			Angled socket, M12x1	
Electrical connection		4-pin			4-pin	
		–	Type A	–	–	Type A
		Screw terminal			Screw terminal	
Plug coding		A	–	–	A	–
Type of mounting		With union nut			With union nut	
Operating voltage range	[V DC]	0 ... 250				
	[V AC]	0 ... 250				
Surge resistance	[kV]	2.5				
Current rating at 40 °C	[A]	4				
Based on standard		EN 61076-2-101				
		EN 61984				
Permissible cable diameter	[mm]	4 ... 6	8 ... 9.5	10 ... 12	4 ... 6	6 ... 8
Connection cross-section	[mm ²]	0.25 ... 0.75	0.75	0.75	0.25 ... 0.75	0.75
Cable fitting		–	Pg9	Pg13.5	–	Pg9
Degree of protection		IP67				

Materials		SIE-GD	SIE-WD-TR	FBSD
Type				
Housing		PA	PA	Reinforced PA
Housing colour		Black	Transparent	Black
Seals		CR	CR	–
Pin contact		Brass	Brass	Bronze
		Coated white bronze	Coated white bronze	Coated white bronze
Union nut		PA	PA	Nickel-plated die-cast zinc
Note on materials		RoHS-compliant	RoHS-compliant	RoHS-compliant
LABS (PWIS) conformity		VDMA24364-B2-L	VDMA24364-B2-L	VDMA24364-B2-L

Operating and environmental conditions		SIE	FBSD
Type			
Ambient temperature	[°C]	–25 ... +85	–40 ... +85
Corrosion resistance class CRC ¹⁾		4	1
Pollution degree		3	3
CE marking (see declaration of conformity) ²⁾		To EU Low Voltage Directive	To EU Low Voltage Directive
UKCA marking (see declaration of conformity) ²⁾		To UK regulations for electrical equipment	To UK regulations for electrical equipment

1) More information www.festo.com/x/topic/crc

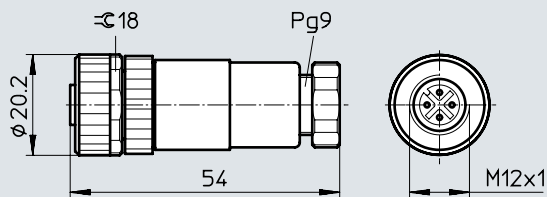
2) More information: www.festo.com/catalogue/... → Support/Downloads.

Datasheet

Dimensions

Download CAD data → www.festo.com

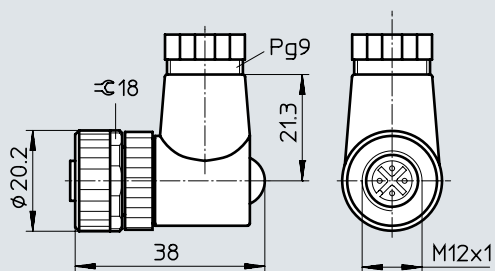
FBSD-GD-9



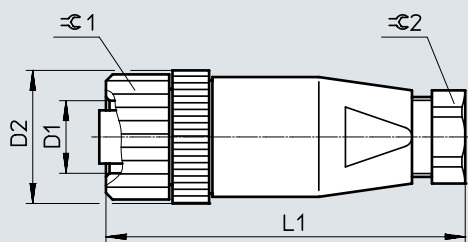
FBSD-GD-13.5



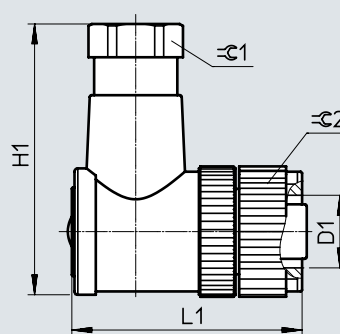
FBSD-WD-9



SIE-GD



SIE-WD-TR



Type	D1	D2	H1	L1	∅1	∅2
SIE-GD	M12x1	20	-	58	18	13
SIE-WD-TR	M12x1	-	38	35	13	18

Ordering data

Electrical connection		Permissible cable diameter [mm]	Weight [g]	Part no.	Type
Socket M12x1, 4-pin	Straight	4 ... 6	13	18494	SIE-GD
		8 ... 9.5	29	18495	FBSD-GD-9
		10 ... 12	40	18496	FBSD-GD-13.5
	Angled	4 ... 6	13	12956	SIE-WD-TR
		6 ... 8	30	18525	FBSD-WD-9

Datasheet

Socket

NECU-M-B12G5

FBSD-GD-9-5POL

- Socket
- 5-pin
- Can be assembled with any cable lengths



General technical data			
Type		NECU-M-B12G5	FBSD-GD-9-5POL
Electrical connection		Straight socket, M12x1	
		5-pin	
		Screw terminal, can be shielded	Screw terminal
Plug coding		B-coded	A-coded
Operating voltage range	[V DC]	0 ... 125	0 ... 60
	[V AC]	0 ... 125	0 ... 60
Surge resistance	[kV]	1.25	1.5
Current rating at 40 °C	[A]	4	4
Based on standard		EN 61076-2-101	EN 61076-2-101
		EN 61984	EN 61984
Transmission characteristics		DIN EN 50173/CAT 5	–
Permissible cable diameter	[mm]	6 ... 8	6 ... 8
Connection cross-section	[mm ²]	0.14 ... 0.75	0.75
Cable fitting		–	Pg9
Degree of protection		IP67	IP67

Materials			
Type		NECU-M-B12G5	FBSD-GD-9-5POL
Housing		Nickel-plated die-cast zinc	Reinforced PA
Housing colour		–	Black
Pin contact		Gold-plated brass	Nickel-plated and gold-plated bronze
Union nut		–	Nickel-plated die-cast zinc
Note on materials		RoHS-compliant	RoHS-compliant
LABS (PWIS) conformity		VDMA24364-B2-L	VDMA24364-B2-L

Operating and environmental conditions			
Type		NECU-M-B12G5	FBSD-GD-9-5POL
Ambient temperature	[°C]	–25 ... +85	–40 ... +85
Corrosion resistance class CRC ¹⁾		1	1
Pollution degree		3	3
CE marking (see declaration of conformity) ²⁾		To EU Low Voltage Directive	To EU Low Voltage Directive
UKCA marking (see declaration of conformity) ²⁾		–	To UK regulations for electrical equipment

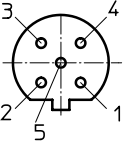
1) More information www.festo.com/x/topic/crc

2) More information: www.festo.com/catalogue/... → Support/Downloads.

Datasheet

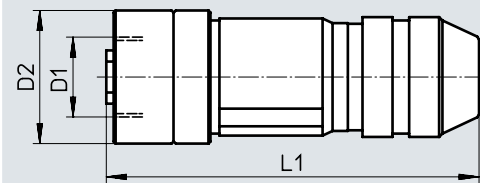
Pin allocation

M12x1

5-pin	Pin	Wire colour
	1	-
	2	-
	3	-
	4	-
	5	-

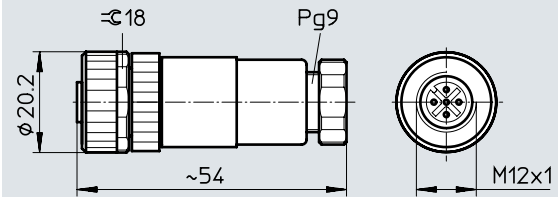
Dimensions

NECU-M-B12G5



Download CAD data → www.festo.com

FBSD-GD-9-5POL



Type	D1	D2	L1
NECU-M-B12G5	M12	20	56

Ordering data

Electrical connection		Connection cross-section [mm ²]	Weight [g]	Part no.	Type	
Socket M12x1, 5-pin, straight	Screw terminal	B-coded	0.14 ... 0.75	48.7	1067905	NECU-M-B12G5-C2-PB
		A-coded	0.75	33	18324	FBSD-GD-9-5POL

Datasheet

Socket NECU-G78G4

- Socket
- 4-pin
- Can be assembled with any cable lengths



General technical data		
Electrical connection		Straight socket, 7/8" 4-pin Screw terminal
Plug coding		ODVA AutoSIG
Operating voltage range	[V DC]	0 ... 250
	[V AC]	0 ... 250
Surge resistance	[kV]	2.5
Current rating at 40 °C	[A]	10
Based on standard		EN 61984
Permissible cable diameter	[mm]	6 ... 12
Connection cross-section	[mm ²]	Max. 1.5
Degree of protection		IP67

Materials	
Housing	PA
Housing colour	Black
Seals	FPM
	NBR
Pin contact	Gold-plated copper alloy
Union nut	Nickel-plated die-cast zinc
Note on materials	RoHS-compliant
LABS (PWIS) conformity	VDMA24364-B2-L

Operating and environmental conditions	
Ambient temperature	[°C] -25 ... +80
Corrosion resistance class CRC ¹⁾	1
Pollution degree	3
CE marking (see declaration of conformity) ²⁾	To EU Low Voltage Directive
UKCA marking (see declaration of conformity) ²⁾	To UK regulations for electrical equipment
Certification	c CSA us (OL)

1) More information www.festo.com/x/topic/crc

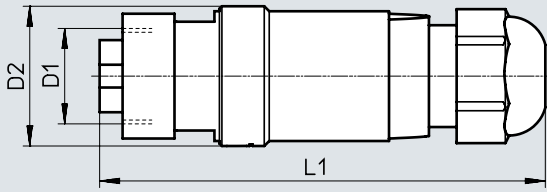
2) More information: www.festo.com/catalogue/... → Support/Downloads.

Socket, 7/8", 4-pin

Datasheet

Dimensions

Download CAD data → www.festo.com



Type	D1	D2	L1
NECU-G78G4-C2	7/8"	28	89

Ordering data

Electrical connection	Connection cross-section [mm ²]	Weight [g]	Part no.	Type
Socket 7/8", 4-pin, straight	Screw terminal	Max. 1.5	58.7	543108 NECU-G78G4-C2

Datasheet

Socket NECU-G78G5

- Socket
- 5-pin
- Can be assembled with any cable lengths



General technical data	
Electrical connection	Straight socket, 7/8" 5-pin Screw terminal
Plug coding	NFPA/T3.5.29 R1-2003
Operating voltage range	[V DC] 0 ... 250 [V AC] 0 ... 250
Surge resistance	[kV] 2.5
Current rating at 40 °C	[A] 8
Based on standard	EN 61984
Permissible cable diameter	[mm] 6 ... 12
Connection cross-section	[mm ²] Max. 1.5
Degree of protection	IP67

Materials	
Housing	PA
Housing colour	Black
Seals	FPM NBR
Pin contact	Gold-plated copper alloy
Union nut	Nickel-plated die-cast zinc
Note on materials	RoHS-compliant
LABS (PWIS) conformity	VDMA24364-B2-L

Operating and environmental conditions	
Ambient temperature	[°C] -25 ... +80
Corrosion resistance class CRC ¹⁾	1
Pollution degree	3
CE marking (see declaration of conformity) ²⁾	To EU Low Voltage Directive
UKCA marking (see declaration of conformity) ²⁾	To UK regulations for electrical equipment
Certification	c CSA us (OL)

1) More information www.festo.com/x/topic/crc

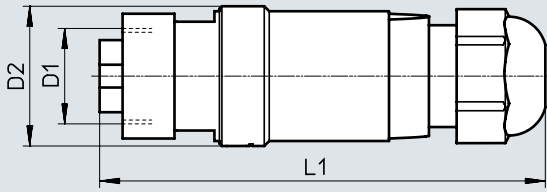
2) More information: www.festo.com/catalogue/... → Support/Downloads.

Socket, 7/8", 5-pin

Datasheet

Dimensions

Download CAD data → www.festo.com



Type	D1	D2	L1
NECU-G78G5-C2	7/8"	28	89

Ordering data

Electrical connection	Connection cross-section [mm ²]	Weight [g]	Part no.	Type
Socket 7/8", 5-pin, straight	Screw terminal	Max. 1.5	543107	NECU-G78G5-C2

Datasheet

Power supply socket NECU-M-PPG5PP

- Socket
- 5-pin
- Can be assembled with any cable lengths



General technical data	
Protocol	PROFINET
Additional functions	Meets AIDA requirements
Electrical connection	Straight socket, plug pattern PP, coding on pin 2 and 5
	Push-pull with locking mechanism against unintentional pulling
	5-pin
	Spring-loaded terminal
Cable outlet	Straight
Operating voltage range	[V DC] 0 ... 24
Surge resistance	[kV] 4
Current rating at 40 °C	[A] 16
Cable diameter	[mm] 9 ... 13
Nominal conductor cross-section	[mm ²] 0.75 ... 2.5
	[AWG] 18 ... 13
Cable fitting	Pg13.5 with hex spanner size 22
Contact durability	100
Degree of protection	IP65
	IP67
Note on degree of protection	In mounted state
Product weight	[g] 109

Materials	
Housing	Nickel-plated die-cast zinc
Housing colour	Silver
Seals	NBR
	TPE-V
Pin contact	Nickel-plated and gold-plated copper alloy
Note on materials	RoHS-compliant
LABS (PWIS) conformity	VDMA24364-B2-L

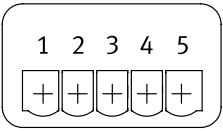
Operating and environmental conditions	
Ambient temperature	[°C] -40 ... +85
Storage temperature	[°C] -40 ... +85
Corrosion resistance class CRC ¹⁾	1
Pollution degree	3
Certification	c UL us - Recognized (OL)
Certificate-issuing authority	UL E328433
Fire-tested	UL94 V-0

1) More information: www.festo.com/x/topic/crc

Datasheet

Pin allocation

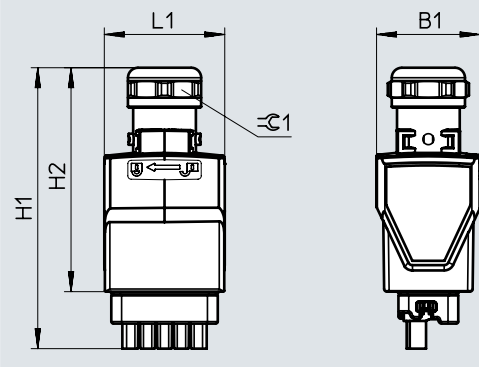
Push-pull

5-pin	Pin	Wire colour ¹⁾ in accordance with PROFINET colour coding	Function
	1	BN	24 V DC supply voltage for electronics and sensors
	2	BU	0 V electronics and sensors
	3	BK	24 V DC load voltage supply for valves and outputs
	4	WH	0 V valves and outputs
	5	GY	FE functional earth

1) According to IEC 757

Dimensions

Download CAD data → www.festo.com




Type	B1	H1	H2	L1	⌀1
NECU-M-PPG5PP-C1-PN	31.1	84.4	67.3	36.2	22

Ordering data

Electrical connection	Connection cross-section [mm ²]	Part no.	Type
Push-pull socket, 5-pin, straight	Spring-loaded terminal 0.75 ... 2.5	5195383	NECU-M-PPG5PP-C1-PN

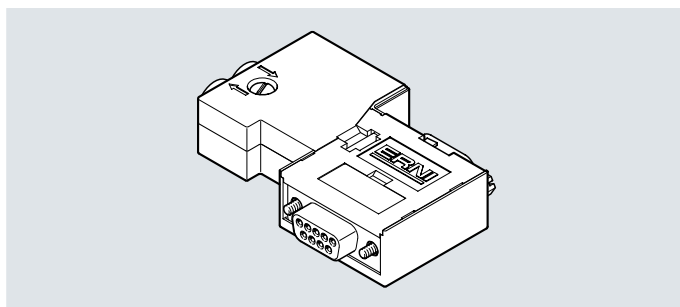
Ordering data – Accessories

		Pack size	Part no.	Type
	Cable seal For adapting to cable diameter 6.5 ... 9.5 mm	11x20 mm 5	8079860	NEAU-KD-P4-A1-P5

Datasheet

Socket NECU-S1W9

- Socket
- 9-pin
- Can be assembled with any cable lengths
- Socket for CANopen with terminating resistor and programming interface



General technical data	
Electrical connection	Sub-D socket
	9-pin
	Screw terminal, can be shielded
Programming interface	Sub-D plug
	9-pin
Baud rate	[Mbps] 1
Permissible cable diameter	[mm] 8
Connection cross-section	[mm ²] 0.14 ... 0.5
Type of mounting	4-40 UNC-2B
Degree of protection	IP20

Materials	
Housing	Reinforced PC
Note on materials	RoHS-compliant
LABS (PWIS) conformity	VDMA24364-B2-L

Operating and environmental conditions	
Ambient temperature	[°C] -20 ... +70
Corrosion resistance class CRC ¹⁾	1
Relative humidity	[%] 75 at 25 °C

1) More information: www.festo.com/x/topic/crc

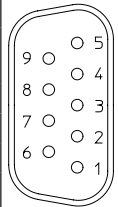
Datasheet

Pin allocation

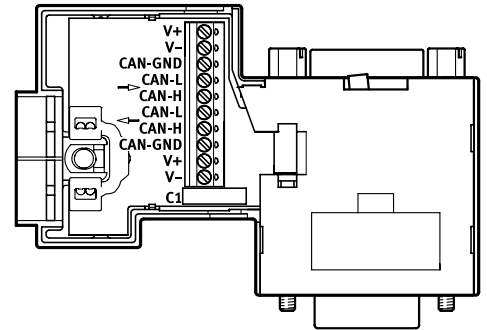
Sub-D

9-pin	Pin	Wire colour	Signal	Terminal
-------	-----	-------------	--------	----------

Sub-D plug

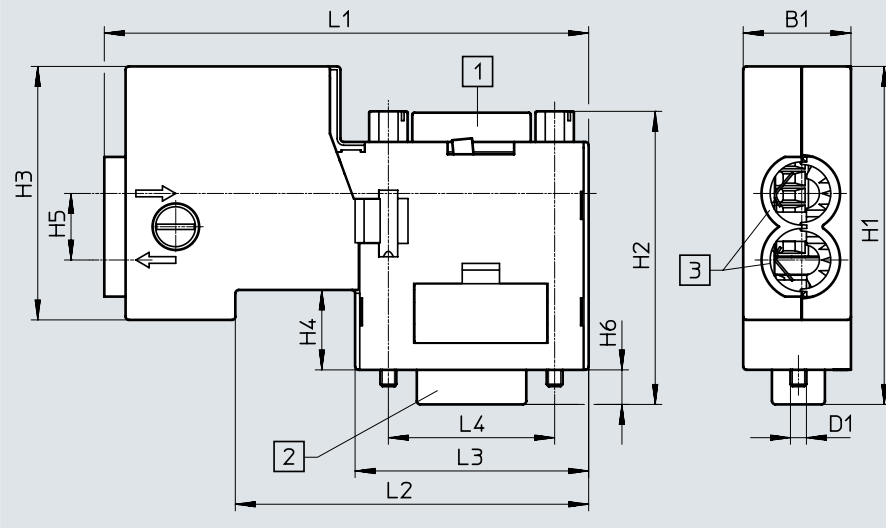


1	–	–	–	–
2	White	Received/transmitted data low	C-L	
3	Shielding	0 V CAN interface	GND	
4	–	–	–	
5	–	–	–	
6	Optional	Optional shielded connection	V–	
7	Brown	Received/transmitted data high	C-H	
8	–	–	–	
9	Optional	24 V DC supply CAN interface	V+	
Housing	–	–	–	



Dimensions

Download CAD data → www.festo.com



Type	B1	D1	H1	H2	H3	H4	H5	H6	L1	L2	L3	L4
NECU-S1W9-C2-ACO	16.2	4-40UNC	50.8	43.8	38.1	12	10	5.2	72.8	53.1	35.1	25

Ordering data

Electrical connection	Connection cross-section [mm]	Weight [g]	Part no.	Type
Sub-D socket, 9-pin	Screw terminal, can be shielded	0.14 ... 0.5	59	574588 NECU-S1W9-C2-ACO