

**Universal accessories NEAU, for electrical connection technology**

**FESTO**



## Product range overview

Function				→ Page/Internet
<b>Covering</b>	<b>For sealing unused connections/openings</b>			
	For CPX terminal		Sub-D	3
				RJ45
	For AS-Interface			3
	For electrical connections		M8	3
		M12	3	
<b>Mounting</b>	<b>For distributors NEDY</b>			
	For mounting distributors type NEDY, pneumatic tubing and electrical cables on Festo cylinders with integrated T-slot for sensors			5
<b>Cable seal</b>	<b>Cable diameter 6.5 ... 9.5 mm</b>			
	For NECU	Reducing the possible cable diameter from 9 ...13 mm to 6.5 ...9.5 mm		7
<b>Inscription label holder</b>	<b>For identifying connecting cables</b>			
	For cable diameter		1.7 ... 3 mm	8
			2.5 ... 3.5 mm	8
			3.3 ... 4.8 mm	8
			4.2 ... 5.6 mm	8
<b>Safety clip</b>	<b>For ATEX area</b>			
	For push-in connectors with knurled nut	For protecting electrical connecting cables/push-in connectors from getting easily disconnected.	M8	9
			M12	9

## Datasheet – Covers

Inspection cover AK-SUB

Cover AK-RJ45

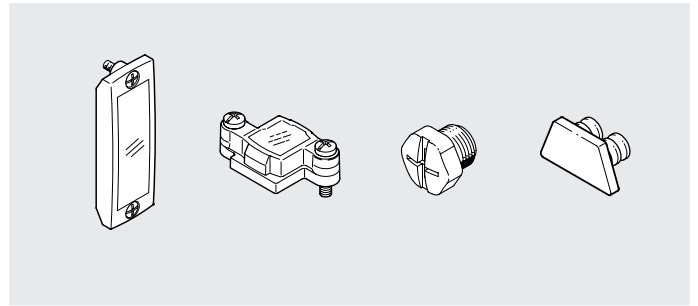
Cover cap ISK

Cable cap ASI-KK-FK

Covers are inserted/screwed into or placed/screwed onto unused connections/openings in order to seal them.

They ensure:

- The function of the respective module
- Realisation of a protection class
- Hazard prevention (e.g. by covering live parts)



General technical data					
Type	AK-SUB-9/15-B	AK-RJ45	ISK-M8	ISK-M12	ASI-KK-FK
Mounting position	–	–	–	–	Any
Width [mm]	–	33	–	–	–
Height [mm]	–	8	–	–	–
Length [mm]	–	20	–	–	–
Protection rating to EN 60529	IP65, IP67 (mounted)	IP65, IP67 (mounted)	IP65, IP67 (mounted)	IP65, IP67 (mounted)	–
Product weight [g]	20	10	5	5	–

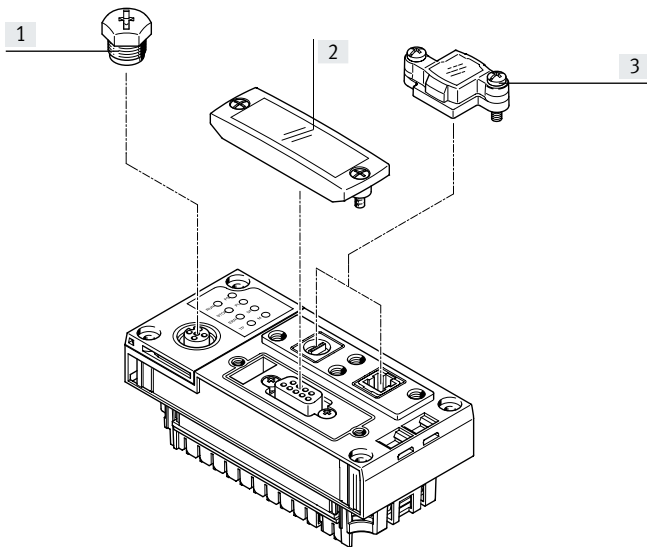
Materials					
Type	AK-SUB-9/15-B	AK-RJ45	ISK-M8	ISK-M12	ASI-KK-FK
Housing	–	–	Reinforced PA	Reinforced PA	PA
Cover	PA	PA	–	–	–
Screws	Galvanised steel	Steel	–	–	–
Seal	NBR	NBR	–	–	–
Note on materials	–	–	RoHS-compliant	–	RoHS-compliant

Operating and environmental conditions					
Type	AK-SUB-9/15-B	AK-RJ45	ISK-M8	ISK-M12	ASI-KK-FK
Ambient temperature [°C]	–5 ... +50	–5 ... +50	–10 ... +50	–10 ... +50	–
LABS (PWIS) conformity	–	–	VDMA24364-B2-L	VDMA24364-B2-L	–

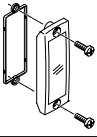
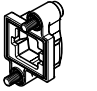
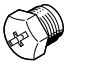
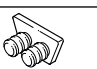
## Datasheet

### Examples for attaching covers



Covers are inserted/screwed into or placed/screwed onto unused connections/openings.

- [1] ISK-M12
- [2] AK-SUB-9/15-B
- [3] AK-RJ45

Ordering data	Description	Mounting	Part no.	Type
	Transparent cover for sealing switches and unused connections (on components of the CPX terminal)	2 screws, M3x10	<b>533334</b>	<b>AK-SUB-9/15-B</b>
	Cover for sealing switches and unused RJ45 connections (on components of the CPX terminal)	2 screws, M3x14	<b>534496</b>	<b>AK-RJ45</b>
	Cover cap (pack of 10) for (non-pressure-tight) sealing of openings with M8 or M12 female thread (particularly unused electrical connections)	M8 thread	<b>177672</b>	<b>ISK-M8</b>
		M12 thread	<b>165592</b>	<b>ISK-M12</b>
	Plug for sealing the open end of an AS-Interface cable	Pushed in by hand	<b>18787</b>	<b>ASI-KK-FK</b>

## Datasheet – Mounting components

### Mounting NEAU-A

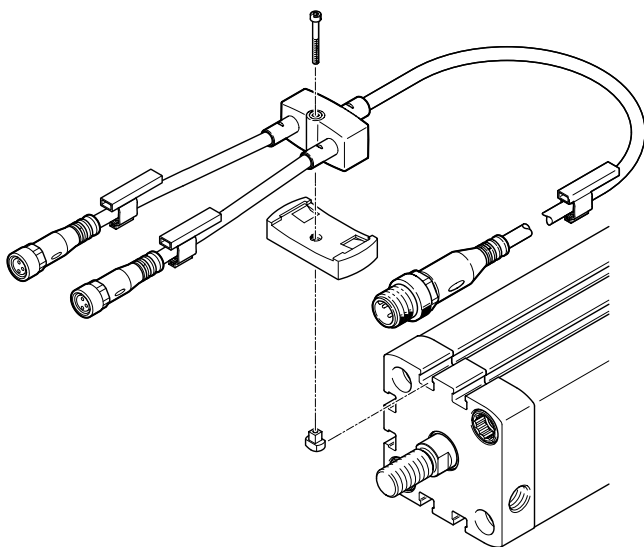
For mounting distributors NEDY-..., pneumatic tubing and electrical cables on Festo cylinders with integrated T-slot for sensors.



General technical data	
Design	For T-slot
Type of mounting	Clamped in T-slot
	Parallel and at right angles to the T-slot
	Inserted in the slot from above
Materials	
Housing	Reinforced PA
Screws	High-alloy stainless steel
Slot nut material	Nickel-plated brass
Note on materials	Free of copper and PTFE
	RoHS-compliant
Operating and environmental conditions	
Ambient temperature [°C]	-25 ... +85
Storage temperature [°C]	-25 ... +85
Corrosion resistance class CRC <sup>1)</sup>	2

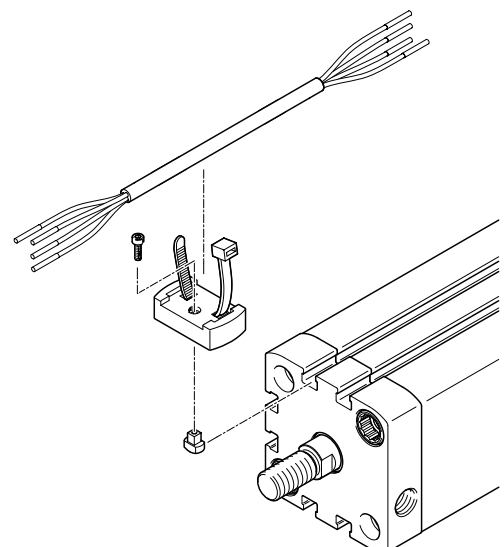
1) More information: [www.festo.com/x/topic/crc](http://www.festo.com/x/topic/crc)

### Mounting



The distributors NEDY have a through-hole suitable for an M2 screw on the distributor housing. The mounting kit is available in two sizes for mounting in T-slots.

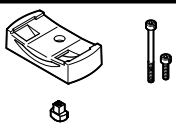
The distributors NEDY can be easily and safely mounted using the mounting kit or for pneumatic tubing and electrical connecting cables using a cable tie.



The mounting kit guarantees secure mounting in T-slots from Festo. The geometry of the retaining bracket and of the slot nut are precisely adapted to these T-slots.

The distributor can be mounted parallel or at right angles to the T-slot and the slot nut can be inserted into the T-slot from above or from the side.

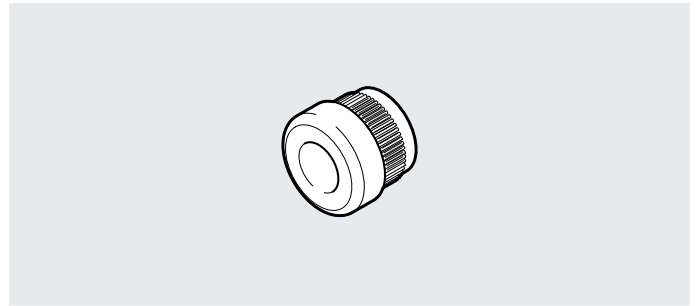
## Datasheet – Mounting components

Ordering data				
	Description	Size	Part no.	Type
	1 mounting comprising: <ul style="list-style-type: none"> <li>• Retainer</li> <li>• Screw for securing pneumatic tubing and cables</li> <li>• Screw for distributor NEDY</li> <li>• Slot nut</li> <li>• Assembly instructions.</li> </ul>	1 (For distributors NEDY size M8)	<b>8032868</b>	<b>NEAU-A-N8-1</b>
		2 (For distributors NEDY size M12)	<b>8032869</b>	<b>NEAU-A-N8-2</b>

## Datasheet – Cable seals

### Cable seal NEAU-KD

For reducing the permissible cable diameter for power supply socket NECU.



#### General technical data

Connection 1, design	Pg 13.5
Connection 2, design	Cable diameter 6.5 ... 9.5 mm
Product weight [g]	4


#### Materials

Seals	TPE-V
Colour	Black
Slot nut material	Nickel-plated brass
Note on materials	RoHS-compliant

#### Operating and environmental conditions

Ambient temperature [°C]	-40 ... +85
Storage temperature [°C]	-40 ... +85
Fire-tested	UL94 V-0

#### Ordering data

	Description	Pack size	Part no.	Type
	For power supply socket NECU-M-PPG5PP-C1-PN	5 pieces	<b>8079860</b>	<b>NEAU-KD-P4-A1-P5</b>

## Datasheet – Inscription label holder

**Inscription label holders NEAU-LH** For identifying connecting cables



General technical data	
Type of mounting	Clip
Pack size	100
Product weight [g]	0.3

Materials	
Colour	Transparent
LABS (PWIS) conformity	VDMA24364-B2-L
Note on materials	Halogen-free
	RoHS-compliant

Operating and environmental conditions	
Ambient temperature [°C]	-40 ... +100
Corrosion resistance class CRC <sup>1)</sup>	4

1) More information: [www.festo.com/x/topic/crc](http://www.festo.com/x/topic/crc)

Ordering data							
	Length	Width	Height	For cable diameter	Part no.	Type	ST <sup>1)</sup>
	23 mm	5.4 mm	10.1 mm	1.7 ... 3 mm	8078305	NEAU-LH-1	100
			10.3 mm	2.5 ... 3.5 mm	8078306	NEAU-LH-2	100
			11.6 mm	3.3 ... 4.8 mm	8078307	NEAU-LH-3	100
			12.1 mm	4.2 ... 5.6 mm	8143238	NEAU-LH-4	100

1) Pack size

Ordering data – Accessories			
		Part no.	Type
	Inscription labels for inscription label holder	541598	ASLR-L-423
		1020 pieces	



## Datasheet – Safety clip

### Safety clip NEAU-M

For protecting electrical connecting cables/push-in connectors from getting easily disconnected.



#### Materials


Safety clip	PA
Note on materials	RoHS-compliant

#### Operating and environmental conditions

Ambient temperature [°C]	-20 ... +60
Corrosion resistance class CRC <sup>1)</sup>	3

1) More information: [www.festo.com/x/topic/crc](http://www.festo.com/x/topic/crc)

#### Ordering data

	Description	Size	Part no.	Type
	Protects against easy disconnection (without a tool) of the screw-type lock on an electrical plug connector; to be fastened securely to the cable	M8	<b>548067</b>	<b>NEAU-M8-GD</b>
		M12	<b>548068</b>	<b>NEAU-M12-GD</b>