

Pinch valve VZQA

FESTO



Characteristics

At a glance

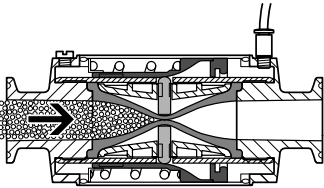
The pinch valve is a 2/2-way valve with which liquid, dusty media, solids and a mixture of substances can be controlled.

Application examples: filling systems, dispensing and weighing systems, powder coating systems, suction and compressed air control units, pneumatic conveying systems, sandblasting systems

Examples of operating media: granulates, powders, dusts, liquids containing solids, fibrous products, highly viscous media, abrasive media, corrosive media, paste-like media

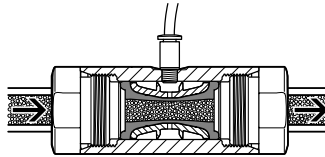
Valve function

[M22C] 2/2-way valve, normally closed



The pinch valve is closed in normal position. The pinch valve sleeve opens when the valve is pressurised, releasing the material flow. When pressure is no longer applied, a spring closes the valve. The valve can be used to shut off liquid and gaseous media.

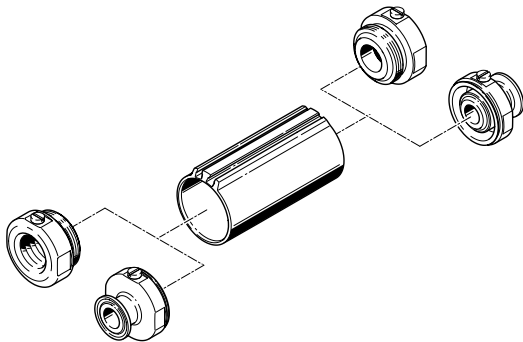
[M22U] 2/2-way valve, normally open



The pinch valve is open in normal position. The pinch valve sleeve closes when the valve is pressurised, shutting off the material flow. The normally closed valve opens when the pressure is removed through the inherent stress of the pinch valve sleeve or the pressure of the medium. The valve can be used with liquid and dusty media, solids (granulates) and a mixture of substances.

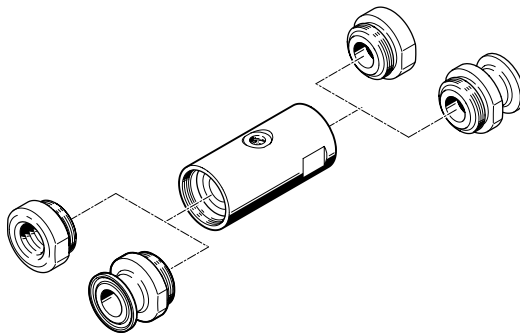
Housing material

[AL] Aluminium



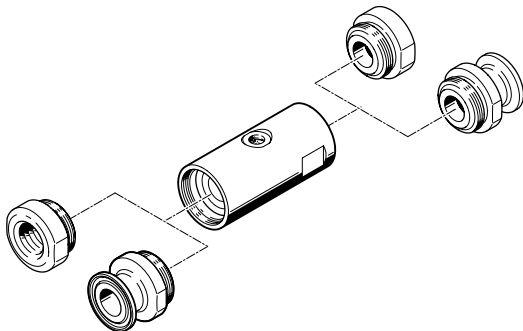
The variant with "aluminium housing material" always has T-slots.

[V2] Stainless steel (nickel-chrome austenitic/1.4301, 1.4303, 1.4306 (AISI 304L))



Easy-to-clean housing (clean design)

[V4] Stainless steel (chrome-nickel-molybdenum, austenitic/1.4401, 1.4404 (AISI 316L), 1.4408)



Easy-to-clean housing (clean design)

Characteristics

Shut-off element material

Note: If the pinch valve sleeve leaks due to wear, the hermetic separation between the media and control circuits is no longer guaranteed. The flow medium can enter the control circuit and then escape. It must be ensured that there is no hazard (e.g. from aggressive or hot media). The compressed air supply of the control valve must be secured against ingress of the flow medium with a suitable check valve; alternatively, a suitable backflow protection device should be installed in the pilot line in close proximity to the media valve. If the pinch valve sleeve fails, then the control medium can get into the media circuit. The media circuit must therefore be designed for the set operating pressure. It must be ensured that there is no hazard.

Type of sensing

[]	None	[E]	End positions
			Integrated ring magnet only available when selecting "Sensing type end positions"

Temperature range

[]	Standard	[T28]	-5 ... +60 °C
-----	----------	-------	---------------

Valve function M22U

- Shut-off element material NBR
Temperature of medium -5 ... +60 °C

- Shut-off element material EPDM
Temperature of medium -5 ... +100 °C

- Shut-off element material silicone
Temperature of medium -5 ... +150 °C

Valve function M22C

- Shut-off element material EPDM
Temperature of medium -5 ... +100 °C

- Shut-off element material silicone
Temperature of medium -5 ... +100 °C (for nominal width 6 DN -5 ... +90 °C)

Type code

001	Series
VZQA	Pinch valve, pneumatically actuated

002	Product version
C	Easy-to-clean design

003	Valve function
M22C	2/2-way valve, normally closed
M22U	2/2-way valve, normally open

004	Nominal diameter DN [mm]
6	6
15	15
25	25
50	50

005	Process valve connection type 1
G	G female thread
S1	Clamp ferrule to ASME-BPE, type A
S5	Clamp ferrule to DIN 32676, series A
S12	Clamp ferrule to ASME-BPE, type B
T	NPT female thread

006	Process valve connection type 2
G	G female thread
S1	Clamp ferrule to ASME-BPE, type A
S5	Clamp ferrule to DIN 32676, series A
S12	Clamp ferrule to ASME-BPE, type B
T	NPT female thread

007	Housing material
AL	Aluminium
V2	Stainless steel (nickel-chrome austenitic/1.4301, 1.4303, 1.4306 (AISI 304L))
V4	Stainless steel (chrome-nickel-molybdenum, austenitic/1.4401, 1.4404 (AISI 316L), 1.4408)

008	Housing cover material
AL	Aluminium
V4	Stainless steel (austenitic chromium-nickel-molybdenum/1.4401, 1.4404 (AISI 316L), 1.4408)
POM	Polyoxymethylene

009	Shut-off element material
E	EPDM
N	NBR
S1	Silicone

010	Pressure range of media
2	0 ... 2 bar
4	0 ... 4 bar
6	0 ... 6 bar
5	0 ... 5 bar

011	Type of sensing
	None
E	End positions

012	Temperature range
	Standard
T28	-5 ... +60 °C

013	Use in a potentially explosive atmosphere
	No
EXA	Assessed for use in an explosive atmosphere

Datasheet

General technical data M22C

Nominal size DN	6	15	25
Nominal pressure PN	10		
Design	Pinch valve, pneumatically actuated		
Type of actuation	Pneumatic		
Sealing principle	Soft		
Mounting position	optional		
Valve function	2/2-way, closed, monostable		
Flow direction	Reversible		
Type of reset	Mechanical spring		
Type of piloting	Externally controlled		
Type of mounting	In-line installation		
Auxiliary pilot air port 12	M3	M5	
Switching time on	125 ms	150 ms	250 ms
Switching time off	125 ms	250 ms	400 ms
Flow rate Kv	0.7 m ³ /h	5 m ³ /h	18 m ³ /h
Max. viscosity	4,000 mm ² /s		

Operating and environmental conditions M22C

Nominal size DN	6	15	25
Operating pressure	0.35 ... 0.6 MPa		
Operating pressure	50.75 ... 87 psi		
Operating pressure	3.5 ... 6 bar		
Burst pressure	1.6 MPa		
Burst pressure	232 psi		
Burst pressure	16 bar		
Medium pressure ¹⁾	0 ... 0.4 MPa	0 ... 0.6 MPa	0 ... 0.5 MPa
Medium pressure ²⁾	0 ... 58 psi	0 ... 87 psi	0 ... 72.5 psi
Medium pressure ³⁾	0 ... 4 bar	0 ... 6 bar	0 ... 5 bar
Note on the medium pressure	Use in the vacuum range was tested up to -0.09 MPa with the air at room temperature. Depending on the application, a counter-vacuum may have to be created on the control side to guarantee the media flow.		
Suitable for use with food	See supplementary material information, See declaration of conformity		
Pilot medium	Compressed air to ISO 8573-1:2010 [7:4:1]		
Medium	Compressed air to ISO 8573-1:2010 [:-:1], Water		

1) Also suitable for vacuum applications (VZQA-...-6/15/25-EPDM and VZQA-...-6/25-silicone up to -0.09 MPa, VZQA-...-15-silicone up to -0.07 MPa)

2) Also suitable for vacuum applications (VZQA-...-6/15/25-EPDM and VZQA-...-6/25 silicone up to -13 psi, VZQA-...-15 silicone up to -10.2 psi)

3) Also suitable for vacuum applications (VZQA-...-6/15/25-EPDM and VZQA-...-6/25 silicone up to -0.9 bar, VZQA-...-15 silicone up to -0.7 bar)

Temperatures M22C

Material shut-off element	EPDM			VMQ (silicone)		
Nominal size DN	6	15	25	6	15	25
Media temperature ¹⁾	-5 ... 100°C			-5 ... 90°C		-5 ... 100°C
Ambient temperature	-5 ... 60°C					
Storage temperature	5 ... 20°C			5 ... 30°C		

1) The material for the shut-off component is silicone, for cleaning, max. 135 °C for 30 minutes

Materials M22C

Material housing	Wrought aluminium alloy, High-alloy stainless steel					
Material number housing	1.4301					
Material housing cover	High-alloy stainless steel, Wrought aluminium alloy					
Material number housing cover	1.4404 / AISI 316L					
Material bowl	PA6, PPS					
Material seals	FPM					
Material shut-off element	EPDM, VMQ (silicone)					
Note on materials	RoHS-compliant					
LABS (PWIS) conformity	VDMA24364 zone III					

Datasheet

General technical data M22U

Nominal size DN	6	15	25	50
Nominal pressure PN	10			
Design	Pinch valve, pneumatically actuated			
Type of actuation	Pneumatic			
Sealing principle	Soft			
Mounting position	optional			
Valve function	2/2 open, single solenoid			
Flow direction	Reversible			
Type of reset	Rebound resilience			
Type of piloting	Externally controlled			
Type of mounting	In-line installation			
Auxiliary pilot air port 12	M5	G1/8		
Switching time on	125 ms	250 ms	200 ms	
Switching time off	125 ms	250 ms	1,000 ms	
Flow rate Kv	0.7 m³/h	5 m³/h	18 m³/h	72 m³/h
Max. viscosity	4,000 mm²/s			

Operating and environmental conditions M22U

Nominal size DN	6	15	25	50
Operating pressure	0.1 ... 0.65 MPa			0 ... 0.45 MPa
Operating pressure	14.5 ... 94.25 psi			0 ... 65.25 psi
Operating pressure	1 ... 6.5 bar			0 ... 4.5 bar
Overload pressure	0.78 MPa			
Overload pressure	113.1 psi			
Overload pressure	7.8 bar			
Medium pressure ¹⁾	0 ... 0.4 MPa			0 ... 0.2 MPa
Medium pressure ²⁾	0 ... 58 psi			0 ... 29 psi
Medium pressure ³⁾	0 ... 4 bar			0 ... 2 bar
Note on the medium pressure	Use in the vacuum range was tested up to -0.09 MPa with the air at room temperature. Depending on the application, a counter-vacuum may have to be created on the control side to guarantee the media flow.			
Burst pressure	1.6 MPa			
Burst pressure	232 psi			
Burst pressure	16 bar			
Differential pressure	0.25 MPa	0.25 MPa 0.3 MPa		0.25 MPa
Differential pressure	36.25 psi	36.25 psi 43.5 psi		36.25 psi
Differential pressure	2.5 bar	2.5 bar 3 bar		2.5 bar
Pilot medium	Compressed air to ISO 8573-1:2010 [7:4:1], Compressed air to ISO 8573-1:2010 [7:4:4]			Compressed air to ISO 8573-1:2010 [7:4:1]
Medium	Compressed air to ISO 8573-1:2010 [:-:1], Compressed air to ISO 8573-1:2010 [:-:1], Water			Compressed air to ISO 8573-1:2010 [:-:1], Water
Suitable for use with food	See supplementary material information, See declaration of conformity			See supplementary material information

1) Also suitable for vacuum applications (up to -0.09 MPa)

2) Also suitable for vacuum applications (up to -13 psi)

3) Also suitable for vacuum applications (up to -0.9 bar)

Temperatures M22U

Material shut-off element	EPDM				NBR		VMQ (silicone)		
Nominal size DN	6	15	25	50	6	15	6	15	25
Media temperature	-5 ... 100°C				-5 ... 60°C		-5 ... 150°C		
Ambient temperature	-5 ... 60°C								
Storage temperature	5 ... 20°C						5 ... 30°C		

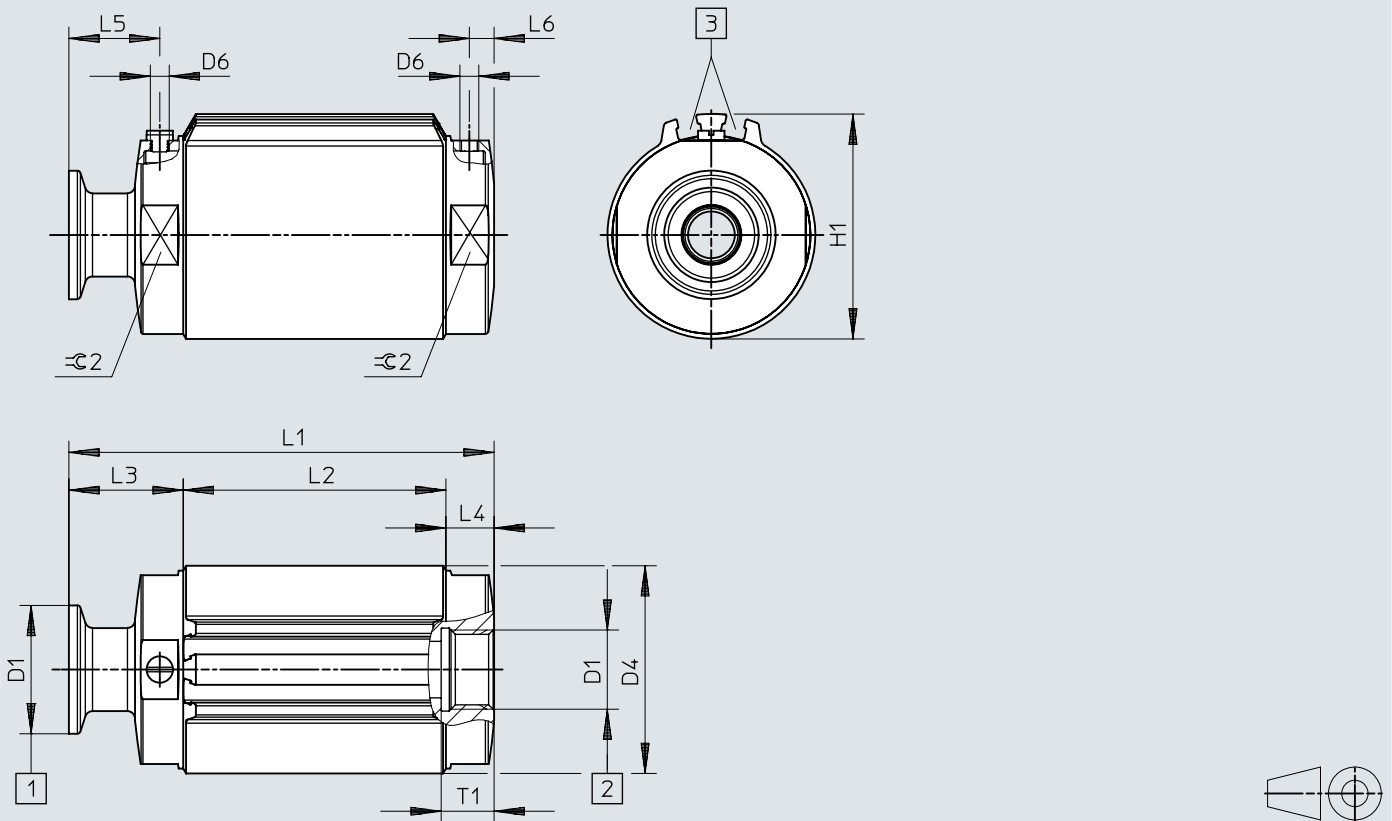
Datasheet

Materials M22U	
Material housing	Wrought aluminium alloy, High-alloy stainless steel
Material number housing	1.4307, 1.4404
Material housing cover	POM, High-alloy stainless steel, Wrought aluminium alloy
Material bowl	Die-cast aluminium, PA6, PPS
Material seals	FPM, VMQ
Material shut-off element	EPDM, NBR, VMQ (silicone)
Note on materials	RoHS-compliant
LABS (PWIS) conformity	VDMA24364 zone III
Suitability for the production of Li-ion batteries	Product corresponds to the internal product definition from Festo for use in battery production:Metals with more than 1% by mass of copper, zinc or nickel are excluded from use.The exceptions are nickel in steel, chemically nickel-plated surfaces, printed circuit boards, cables, electrical plug connectors and coils

Dimensions

Dimensions – VZQA-...-M22C, nominal width 6

Download CAD data www.festo.com



- [1] Process valve connection 1
- [2] Process valve connection 2
- [3] Sensor slot

Dimensions

	D1 1)	D4 ∅	D6	H1	L1	L2
VZQA-C-M22C-6-GG-AL...	G1/4, G1/4	36	M3	-	69	47,2
VZQA-C-M22C-6-GS5-AL...	G1/4, 25				82,1	
VZQA-C-M22C-6-GT-AL...	G1/4, 1/4NPT				69	
VZQA-C-M22C-6-GS1-AL...	G1/4, 25				82,1	
VZQA-C-M22C-6-GS5-V2...	G1/4, 25				82,1	
VZQA-C-M22C-6-GT-V2...	G1/4, 1/4NPT	69				
VZQA-C-M22C-6-GS1-V2...	G1/4, 25	82,1				
VZQA-C-M22C-6-S5G-V2...	25, G1/4	82,1				
VZQA-C-M22C-6-S5S5-V2...	25, 25	95,1				
VZQA-C-M22C-6-S5T-V2...	25, 1/4NPT	82,1				
VZQA-C-M22C-6-S5S1-V2...	25, 25	95,1				
VZQA-C-M22C-6-TG-V2...	1/4NPT, G1/4	33,6		41,2	69	
VZQA-C-M22C-6-TS5-V2...	1/4NPT, 25				82,1	
VZQA-C-M22C-6-TT-V2...	1/4NPT, 1/4NPT				69	
VZQA-C-M22C-6-TS1-V2...	1/4NPT, 25				82,1	
VZQA-C-M22C-6-S1G-V2...	25, G1/4		82,1			
VZQA-C-M22C-6-S1S5-V2...	25, 25	-	-	95,1		
VZQA-C-M22C-6-S1T-V2...	25, 1/4NPT			82,1		
VZQA-C-M22C-6-S1S1-V2...	25, 25			95,1		

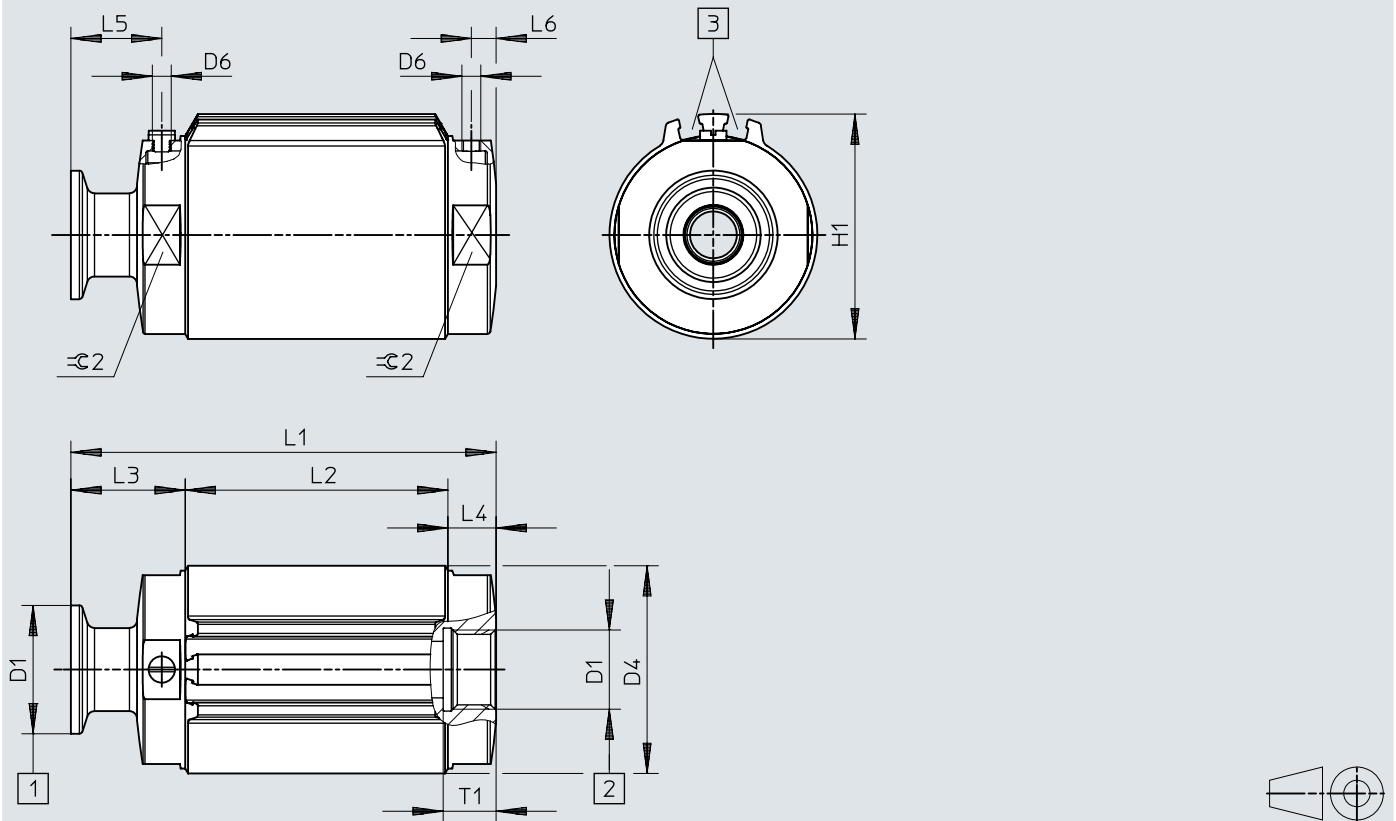
	L3	L4	L5	L6	T1	≈ 2
VZQA-C-M22C-6-GG-AL...	10,9	10,9	4,8	4,8	12	32
VZQA-C-M22C-6-GS5-AL...						
VZQA-C-M22C-6-GT-AL...						
VZQA-C-M22C-6-GS1-AL...						
VZQA-C-M22C-6-GS5-V2...						
VZQA-C-M22C-6-GT-V2...						
VZQA-C-M22C-6-GS1-V2...						
VZQA-C-M22C-6-S5G-V2...	24	24	17,9	17,9	-	
VZQA-C-M22C-6-S5S5-V2...						
VZQA-C-M22C-6-S5T-V2...						
VZQA-C-M22C-6-S5S1-V2...	10,9	10,9	4,8	4,8	10	
VZQA-C-M22C-6-TG-V2...						
VZQA-C-M22C-6-TS5-V2...						
VZQA-C-M22C-6-TT-V2...						
VZQA-C-M22C-6-TS1-V2...						
VZQA-C-M22C-6-S1G-V2...	24	24	17,9	17,9	-	
VZQA-C-M22C-6-S1S5-V2...						
VZQA-C-M22C-6-S1T-V2...						
VZQA-C-M22C-6-S1S1-V2...						

1) Process valve 1/process valve 2

Dimensions

Dimensions – VZQA-...-M22C, nominal width 15 (part 1 of 2)

Download CAD data www.festo.com



- [1] Process valve connection 1
- [2] Process valve connection 2
- [3] Sensor slot

Dimensions

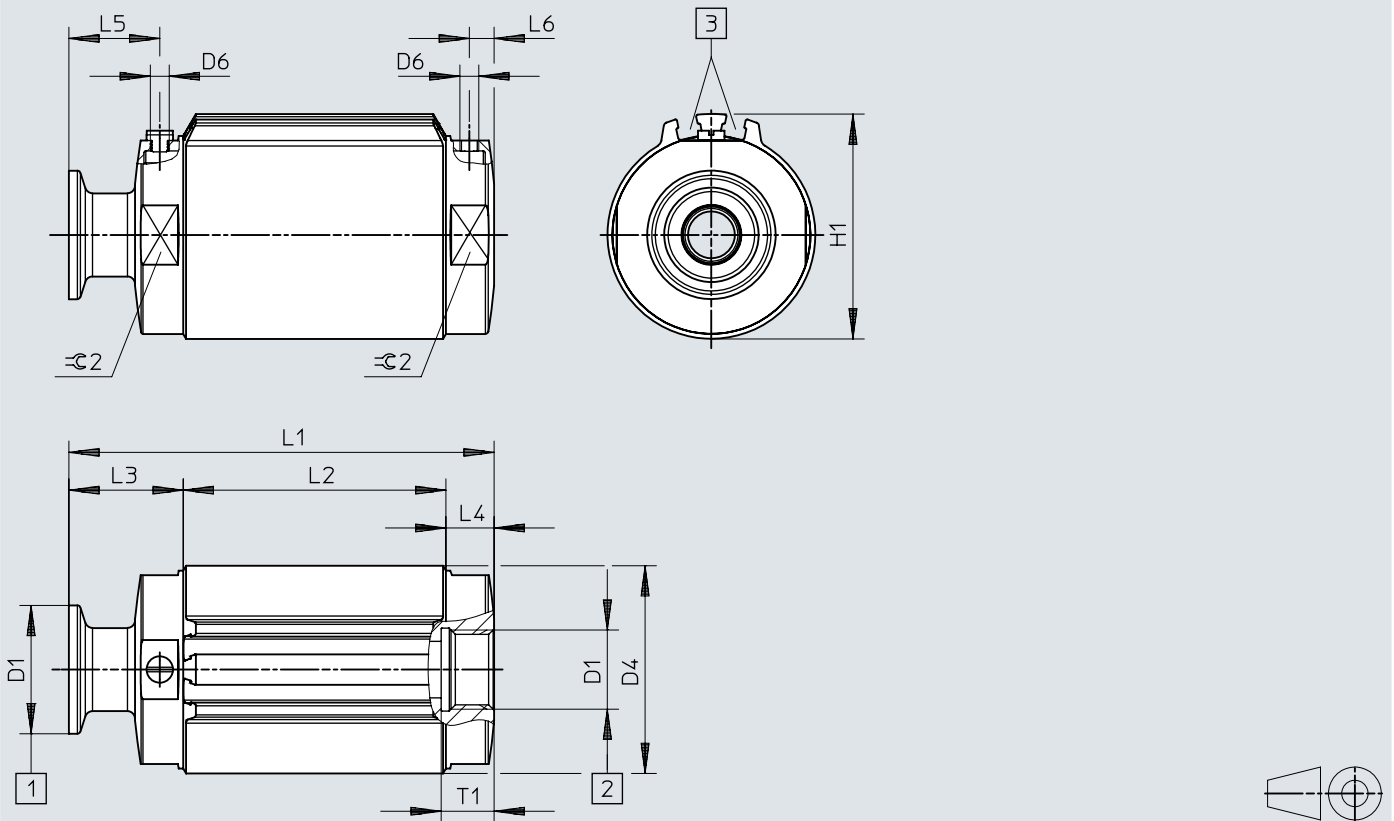
	D1 1)	D4 ø	D6	H1	L1	L2
VZQA-C-M22C-15-GG-AL...	G1/2, G1/2	55	M5	59,6	95	69,5
VZQA-C-M22C-15-GG-V2...	G1/2, G1/2	52,4		59,6	95	
VZQA-C-M22C-15-GS5-AL...	G1/2, 34	55		59,6	112,5	
VZQA-C-M22C-15-GT-AL...	G1/2, 1/2NPT	55		59,6	95	
VZQA-C-M22C-15-GS1-AL...	G1/2, 25	55		59,6	112,5	
VZQA-C-M22C-15-GS5-V2...	G1/2, 34	52,4		59,6	112,5	
VZQA-C-M22C-15-GT-V2...	G1/2, 1/2NPT	52,4		59,6	95	
VZQA-C-M22C-15-GS1-V2...	G1/2, 25	52,4		59,6	112,5	
VZQA-C-M22C-15-S5G-AL...	34, G1/2	55		-	112,5	
VZQA-C-M22C-15-S5G-V2...	34, G1/2	55		-	112,5	
VZQA-C-M22C-15-S5S5-AL...	34, 34	55		-	130	
VZQA-C-M22C-15-S5S5-V2...	34, 34	55		-	130	
VZQA-C-M22C-15-S5T-AL...	34, 1/2 NPT	55		-	112,5	
VZQA-C-M22C-15-S5T-V2...	34, 1/2 NPT	55		-	112,5	
VZQA-C-M22C-15-S5S1-AL...	34, 25	55		-	130	
VZQA-C-M22C-15-S5S1-V2...	34, 25	55		-	130	
VZQA-C-M22C-15-TG-AL...	1/2NPT, G1/2	55		59,6	95	
VZQA-C-M22C-15-TG-V2...	1/2NPT, G1/2	52,4		59,6	95	
VZQA-C-M22C-15-TS5-AL...	1/2NPT, 34	55		59,6	112,5	
VZQA-C-M22C-15-TS5-V2...	1/2NPT, 34	52,4		59,6	112,5	
VZQA-C-M22C-15-TT-AL...	1/2NPT, 1/2NPT	55		59,6	95	
VZQA-C-M22C-15-TT-V2...	1/2NPT, 1/2NPT	52,4		59,6	95	
VZQA-C-M22C-15-TS1-AL...	1/2NPT, 25	55		59,6	112,5	
VZQA-C-M22C-15-TS1-V2...	1/2NPT, 25	52,4		59,6	112,5	
VZQA-C-M22C-15-S1G-AL...	25, G1/2	55		-	112,5	
VZQA-C-M22C-15-S1G-V2...	25, G1/2	55		-	112,5	
VZQA-C-M22C-15-S1S5-AL...	25, 34	55		-	130	
VZQA-C-M22C-15-S1S5-V2...	25, 34	55		-	130	
VZQA-C-M22C-15-S1T-AL...	25, 1/2NPT	55		-	112,5	
VZQA-C-M22C-15-S1T-V2...	25, 1/2NPT	55		-	112,5	
VZQA-C-M22C-15-S1S1-AL...	25, 25	55		-	130	
VZQA-C-M22C-15-S1S1-V2...	25, 25	55		-	130	

1) Process valve 1/process valve 2

Dimensions

Dimensions – VZQA-...-M22C, nominal width 15 (part 2 of 2)

Download CAD data www.festo.com



- [1] Process valve connection 1
- [2] Process valve connection 2
- [3] Sensor slot

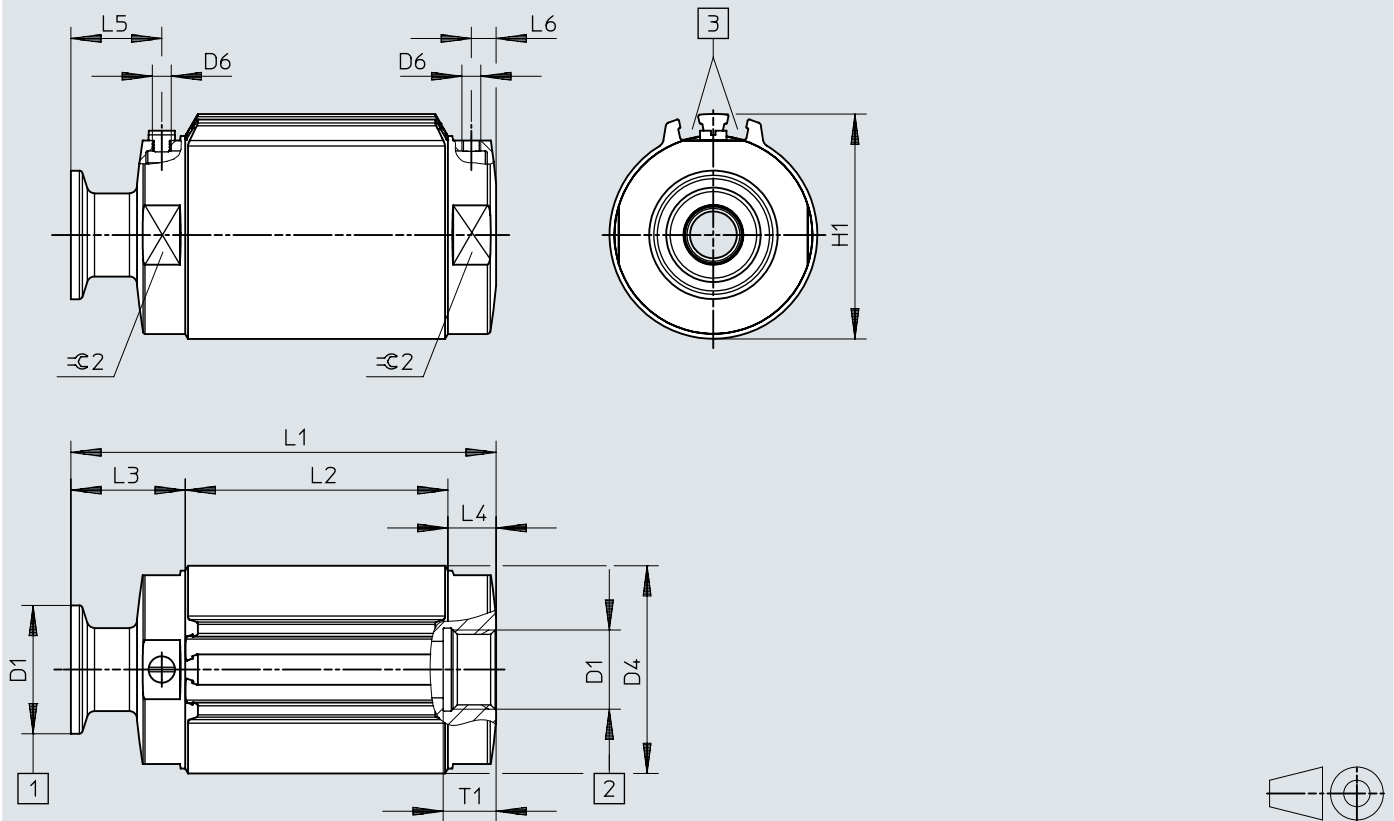
Dimensions

	L3	L4	L5	L6	T1	≈G 2
VZQA-C-M22C-15-GG-AL...	12,8	12,8	6,6	6,6	14	50
VZQA-C-M22C-15-GG-V2...	12,8	12,8	6,6	6,6		
VZQA-C-M22C-15-GS5-AL...	12,8	12,8	6,6	6,6		
VZQA-C-M22C-15-GT-AL...	12,8	12,8	6,6	6,6		
VZQA-C-M22C-15-GS1-AL...	12,8	12,8	6,6	6,6		
VZQA-C-M22C-15-GS5-V2...	12,8	12,8	6,6	6,6		
VZQA-C-M22C-15-GT-V2...	12,8	12,8	6,6	6,6		
VZQA-C-M22C-15-GS1-V2...	12,8	12,8	6,6	6,6		
VZQA-C-M22C-15-S5G-AL...	30,3	30,3	24	24		
VZQA-C-M22C-15-S5G-V2...	30,3	30,3	24	24		
VZQA-C-M22C-15-S5S5-AL...	30,3	30,3	24	24		
VZQA-C-M22C-15-S5S5-V2...	30,3	30,3	24	24		
VZQA-C-M22C-15-S5T-AL...	30,3	30,3	24	24		
VZQA-C-M22C-15-S5T-V2...	30,3	30,3	24	24		
VZQA-C-M22C-15-S5S1-AL...	30,3	30,3	24	24		
VZQA-C-M22C-15-S5S1-V2...	30,3	30,3	24	24		
VZQA-C-M22C-15-TG-AL...	12,8	12,8	6,6	6,6		
VZQA-C-M22C-15-TG-V2...	12,8	12,8	6,6	6,6		
VZQA-C-M22C-15-TS5-AL...	12,8	12,8	6,6	6,6		
VZQA-C-M22C-15-TS5-V2...	12,8	12,8	6,6	6,6		
VZQA-C-M22C-15-TT-AL...	12,8	12,8	6,6	6,6		
VZQA-C-M22C-15-TT-V2...	12,8	12,8	6,6	6,6		
VZQA-C-M22C-15-TS1-AL...	12,8	12,8	6,6	6,6		
VZQA-C-M22C-15-TS1-V2...	12,8	12,8	6,6	6,6		
VZQA-C-M22C-15-S1G-AL...	30,3	30,3	24	24		
VZQA-C-M22C-15-S1G-V2...	30,3	30,3	24	24		
VZQA-C-M22C-15-S1S5-AL...	30,3	30,3	24	24		
VZQA-C-M22C-15-S1S5-V2...	30,3	30,3	24	24		
VZQA-C-M22C-15-S1T-AL...	30,3	30,3	24	24		
VZQA-C-M22C-15-S1T-V2...	30,3	30,3	24	24		
VZQA-C-M22C-15-S1S1-AL...	30,3	30,3	24	24		
VZQA-C-M22C-15-S1S1-V2...	30,3	30,3	24	24		

Dimensions

Dimensions – VZQA-...-M22C, nominal width 25

Download CAD data www.festo.com



- [1] Process valve connection 1
- [2] Process valve connection 2
- [3] Sensor slot

Dimensions

	D1 1)	D4 ∅	D6	H1	L1	L2
VZQA-C-M22C-25-GG-V2...	G1, G1	90	M5	-	130,8	94,9
VZQA-C-M22C-25-GS5-V2...	G1, 50,5				151,4	
VZQA-C-M22C-25-GT-V2...	G1, 1NPT				130,8	
VZQA-C-M22C-25-GS1-V2...	G1, 34				151,4	
VZQA-C-M22C-25-GS12-V2...	G1, 50,4				151,4	
VZQA-C-M22C-25-S5G-V2...	50,5, G1				151,4	
VZQA-C-M22C-25-S5S5-V2...	50,5, 50,5				171,9	
VZQA-C-M22C-25-S5T-V2...	50,5, 1NPT				151,4	
VZQA-C-M22C-25-S5S1-V2...	50,5, 34				171,9	
VZQA-C-M22C-25-S5S12-V2...	50,5, 50,4				171,9	
VZQA-C-M22C-25-TG-V2...	1NPT, G1				130,8	
VZQA-C-M22C-25-TS5-V2...	1NPT, 50,5				151,4	
VZQA-C-M22C-25-TT-V2...	1NPT, 1NPT				130,8	
VZQA-C-M22C-25-TS1-V2...	1NPT, 34				151,4	
VZQA-C-M22C-25-TS12-V2...	1NPT, 50,4				151,4	
VZQA-C-M22C-25-S1G-V2...	34, G1				151,4	
VZQA-C-M22C-25-S1S5-V2...	34, 50,5				171,9	
VZQA-C-M22C-25-S1T-V2...	34, 1NPT				151,4	
VZQA-C-M22C-25-S1S1-V2...	34, 34				171,9	
VZQA-C-M22C-25-S1S12-V2...	34, 50,4				171,9	
VZQA-C-M22C-25-S12G-V2...	50,4, G1				151,4	
VZQA-C-M22C-25-S12S5-V2...	50,4, 50,5				171,9	
VZQA-C-M22C-25-S12T-V2...	50,4, 1NPT				151,4	
VZQA-C-M22C-25-S12S1-V2...	50,4, 34				171,9	
VZQA-C-M22C-25-S12S12-V2...	50,4, 50,4				171,9	

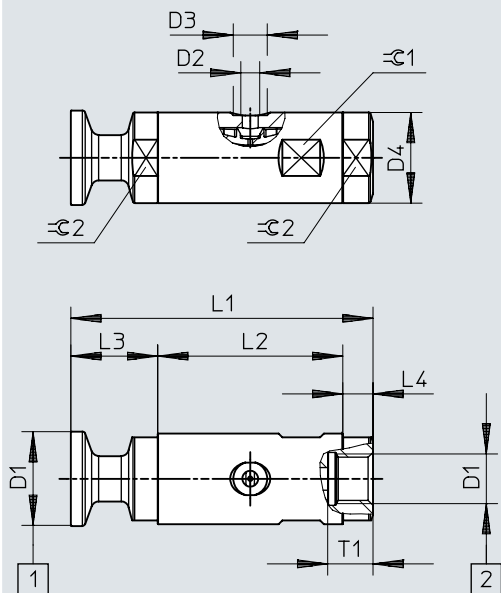
	L3	L4	L5	L6	T1	≈ 2
VZQA-C-M22C-25-GG-V2...	18	18	10	10	18	85
VZQA-C-M22C-25-GS5-V2...	18	18	10	10	18	
VZQA-C-M22C-25-GT-V2...	18	18	10	10	18	
VZQA-C-M22C-25-GS1-V2...	18	18	10	10	18	
VZQA-C-M22C-25-GS12-V2...	18	18	10	10	18	
VZQA-C-M22C-25-S5G-V2...	38,5	38,5	30,5	30,5	-	
VZQA-C-M22C-25-S5S5-V2...	38,5	38,5	30,5	30,5	-	
VZQA-C-M22C-25-S5T-V2...	38,5	38,5	30,5	30,5	-	
VZQA-C-M22C-25-S5S1-V2...	38,5	38,5	30,5	30,5	-	
VZQA-C-M22C-25-S5S12-V2...	38,5	38,5	30,5	30,5	-	
VZQA-C-M22C-25-TG-V2...	18	18	10	10	18	
VZQA-C-M22C-25-TS5-V2...	18	18	10	10	18	
VZQA-C-M22C-25-TT-V2...	18	18	10	10	18	
VZQA-C-M22C-25-TS1-V2...	18	18	10	10	18	
VZQA-C-M22C-25-TS12-V2...	18	18	10	10	18	
VZQA-C-M22C-25-S1G-V2...	38,5	38,5	30,5	30,5	-	
VZQA-C-M22C-25-S1S5-V2...	38,5	38,5	30,5	30,5	-	
VZQA-C-M22C-25-S1T-V2...	38,5	38,5	30,5	30,5	-	
VZQA-C-M22C-25-S1S1-V2...	38,5	38,5	30,5	30,5	-	
VZQA-C-M22C-25-S1S12-V2...	38,5	38,5	30,5	30,5	-	
VZQA-C-M22C-25-S12G-V2...	38,5	38,5	30,5	30,5	-	
VZQA-C-M22C-25-S12S5-V2...	38,5	38,5	30,5	30,5	-	
VZQA-C-M22C-25-S12T-V2...	38,5	38,5	30,5	30,5	-	
VZQA-C-M22C-25-S12S1-V2...	38,5	38,5	30,5	30,5	-	
VZQA-C-M22C-25-S12S12-V2...	38,5	38,5	30,5	30,5	-	

1) Process valve 1/process valve 2

Dimensions

Dimensions – VZQA-...-M22U, nominal width 6 (part 1 of 2)

Download CAD data www.festo.com



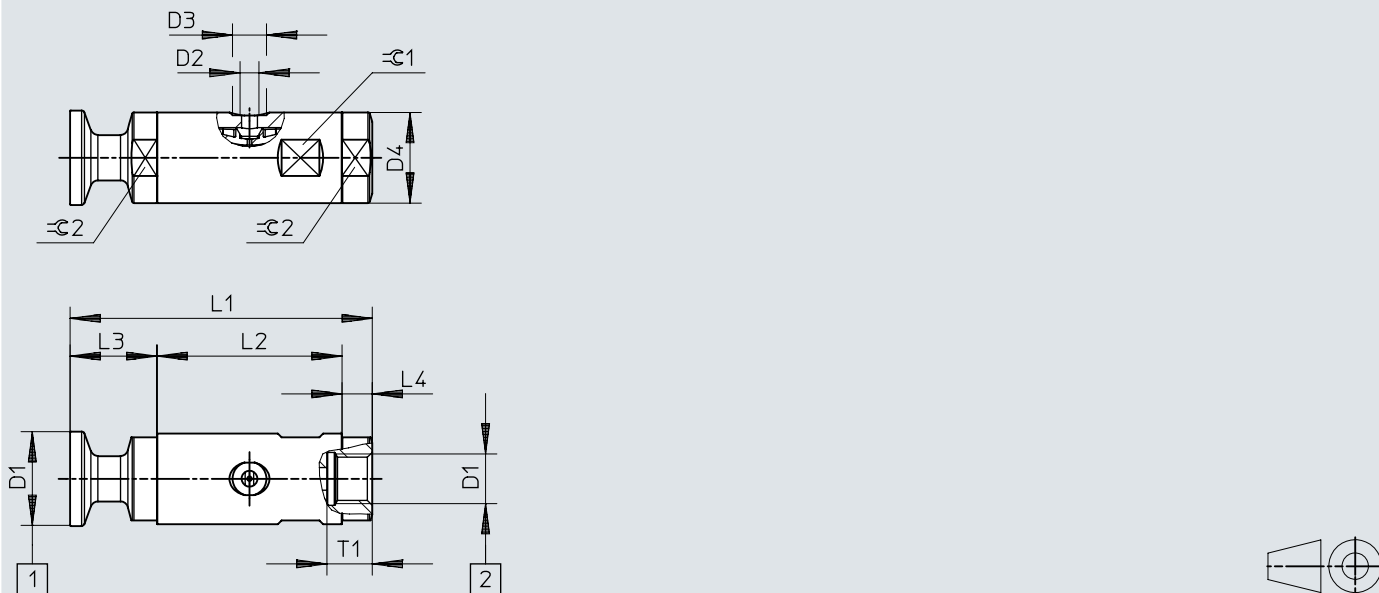
- [1] Process valve connection 1
- [2] Process valve connection 2

	D1 1)	D2	D3 ø	D4 ø	L2
VZQA-C-M22U-6-GG-AL...	G1/4, G1/4				
VZQA-C-M22U-6-GG-V4...	G1/4, G1/4				
VZQA-C-M22U-6-GS5-AL...	G1/4, 25				
VZQA-C-M22U-6-GS5-V4...	G1/4, 25				
VZQA-C-M22U-6-GT-AL...	G1/4, 1/4NPT				
VZQA-C-M22U-6-GT-V4...	G1/4, 1/4NPT				
VZQA-C-M22U-6-GS1-AL...	G1/4, 25				
VZQA-C-M22U-6-GS1-V4...	G1/4, 25				
VZQA-C-M22U-6-S5G-AL...	25, G1/4				
VZQA-C-M22U-6-S5G-V4...	25, G1/4				
VZQA-C-M22U-6-S5S5-AL...	25, 25				
VZQA-C-M22U-6-S5S5-V4...	25, 25				
VZQA-C-M22U-6-S5T-AL...	25, 1/4NPT				
VZQA-C-M22U-6-S5T-V4...	25, 1/4NPT				
VZQA-C-M22U-6-S5S1-AL...	25, 25				
VZQA-C-M22U-6-S5S1-V4...	25, 25				
VZQA-C-M22U-6-TG-AL...	1/4NPT, G1/4	M5	9	24	49
VZQA-C-M22U-6-TG-V4...	1/4NPT, G1/4				
VZQA-C-M22U-6-TS5-AL...	1/4NPT, 25				
VZQA-C-M22U-6-TS5-V4...	1/4NPT, 25				
VZQA-C-M22U-6-TT-AL...	1/4NPT, 1/4NPT				
VZQA-C-M22U-6-TT-V4...	1/4NPT, 1/4NPT				
VZQA-C-M22U-6-TS1-AL...	1/4NPT, 25				
VZQA-C-M22U-6-TS1-V4...	1/4NPT, 25				
VZQA-C-M22U-6-S1G-AL...	25, G1/4				
VZQA-C-M22U-6-S1G-V4...	25, G1/4				
VZQA-C-M22U-6-S1S5-AL...	25, 25				
VZQA-C-M22U-6-S1S5-V4...	25, 25				
VZQA-C-M22U-6-S1T-AL...	25, 1/4NPT				
VZQA-C-M22U-6-S1T-V4...	25, 1/4NPT				
VZQA-C-M22U-6-S1S1-AL...	25, 25				
VZQA-C-M22U-6-S1S1-V4...	25, 25				

1) Process valve 1/process valve 2

Dimensions

Dimensions – VZQA...-M22U, nominal width 6 (part 2 of 2)

Download CAD data www.festo.com

[1] Process valve connection 1

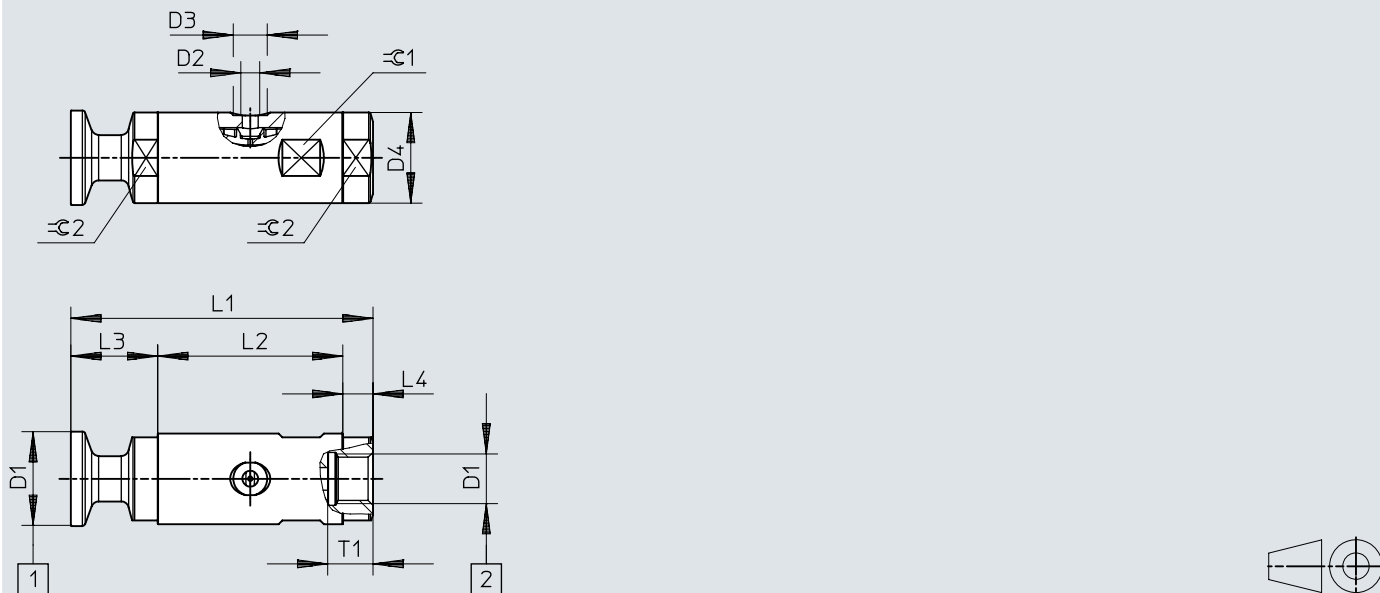
[2] Process valve connection 2

	L3	L4	T1	$\varnothing 1$	$\varnothing 2$
VZQA-C-M22U-6-GG-AL...	8	8			
VZQA-C-M22U-6-GG-V4...	8	8			
VZQA-C-M22U-6-GS5-AL...	8	8			
VZQA-C-M22U-6-GS5-V4...	8	8			
VZQA-C-M22U-6-GT-AL...	8	8			
VZQA-C-M22U-6-GT-V4...	8	8			
VZQA-C-M22U-6-GS1-AL...	8	8			
VZQA-C-M22U-6-GS1-V4...	8	8			
VZQA-C-M22U-6-S5G-AL...	23	23			
VZQA-C-M22U-6-S5G-V4...	23	23			
VZQA-C-M22U-6-S5S5-AL...	23	23			
VZQA-C-M22U-6-S5S5-V4...	23	23			
VZQA-C-M22U-6-S5T-AL...	23	23			
VZQA-C-M22U-6-S5T-V4...	23	23			
VZQA-C-M22U-6-S5S1-AL...	23	23			
VZQA-C-M22U-6-S5S1-V4...	23	23			
VZQA-C-M22U-6-TG-AL...	8	8	12	22	22
VZQA-C-M22U-6-TG-V4...	8	8			
VZQA-C-M22U-6-TS5-AL...	8	8			
VZQA-C-M22U-6-TS5-V4...	8	8			
VZQA-C-M22U-6-TT-AL...	8	8			
VZQA-C-M22U-6-TT-V4...	8	8			
VZQA-C-M22U-6-TS1-AL...	8	8			
VZQA-C-M22U-6-TS1-V4...	8	8			
VZQA-C-M22U-6-S1G-AL...	23	23			
VZQA-C-M22U-6-S1G-V4...	23	23			
VZQA-C-M22U-6-S1S5-AL...	23	23			
VZQA-C-M22U-6-S1S5-V4...	23	23			
VZQA-C-M22U-6-S1T-AL...	23	23			
VZQA-C-M22U-6-S1T-V4...	23	23			
VZQA-C-M22U-6-S1S1-AL...	23	23			
VZQA-C-M22U-6-S1S1-V4...	23	23			

Dimensions

Dimensions – VZQA-...-M22U, nominal width 15 (part 1 of 2)

Download CAD data www.festo.com



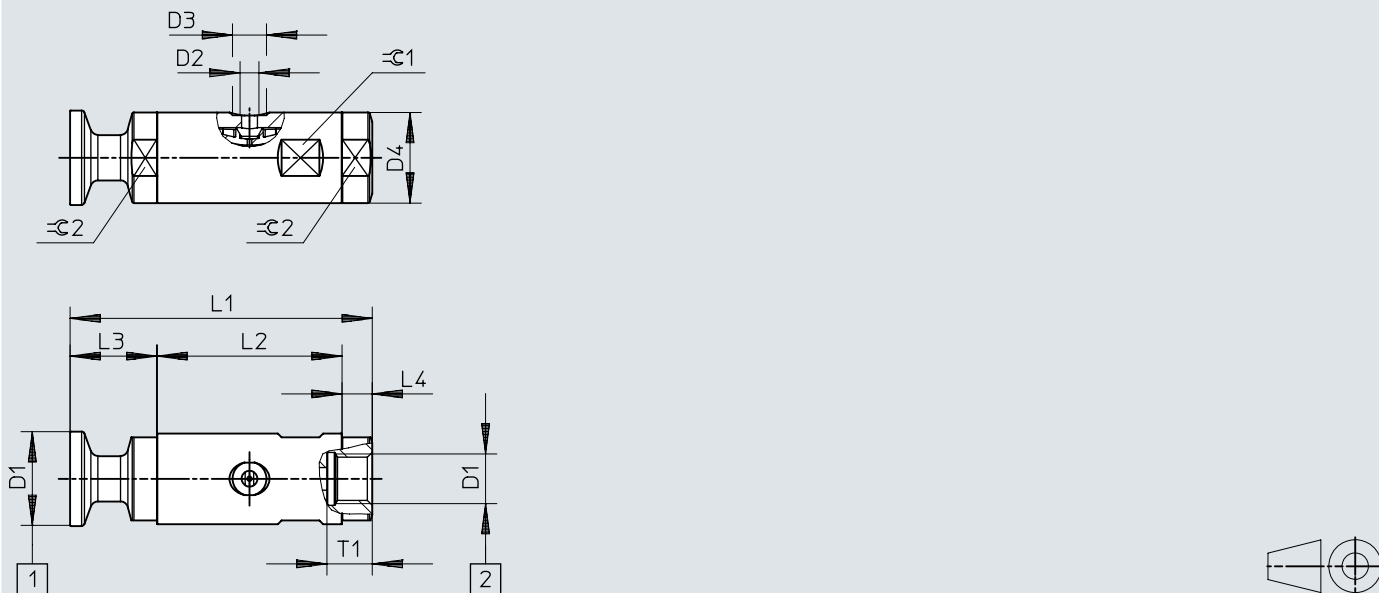
- [1] Process valve connection 1
- [2] Process valve connection 2

	D1 1)	D2	D3 ø	D4 ø	L2
VZQA-C-M22U-15-GG-AL...	G1/2, G1/2				
VZQA-C-M22U-15-GG-V4...	G1/2, G1/2				
VZQA-C-M22U-15-GS5-AL...	G1/2, 34				
VZQA-C-M22U-15-GS5-V4...	G1/2, 34				
VZQA-C-M22U-15-GT-AL...	G1/2, 1/2NPT				
VZQA-C-M22U-15-GT-V4...	G1/2, 1/2NPT				
VZQA-C-M22U-15-GS1-AL...	G1/2, 25				
VZQA-C-M22U-15-GS1-V4...	G1/2, 25				
VZQA-C-M22U-15-S5G-AL...	34, G1/2				
VZQA-C-M22U-15-S5G-V4...	34, G1/2				
VZQA-C-M22U-15-S5S5-AL...	34, 34				
VZQA-C-M22U-15-S5S5-V4...	34, 34				
VZQA-C-M22U-15-S5T-AL...	34, 1/2NPT				
VZQA-C-M22U-15-S5T-V4...	34, 1/2NPT				
VZQA-C-M22U-15-S5S1-AL...	34, 25				
VZQA-C-M22U-15-S5S1-V4...	34, 25				
VZQA-C-M22U-15-TG-AL...	1/2NPT, G1/2	G1/8	15	38	81
VZQA-C-M22U-15-TG-V4...	1/2NPT, G1/2				
VZQA-C-M22U-15-TS5-AL...	1/2NPT, 34				
VZQA-C-M22U-15-TS5-V4...	1/2NPT, 34				
VZQA-C-M22U-15-TT-AL...	1/2NPT, 1/2NPT				
VZQA-C-M22U-15-TT-V4...	1/2NPT, 1/2NPT				
VZQA-C-M22U-15-TS1-AL...	1/2NPT, 25				
VZQA-C-M22U-15-TS1-V4...	1/2NPT, 25				
VZQA-C-M22U-15-S1G-AL...	25, G1/2				
VZQA-C-M22U-15-S1G-V4...	25, G1/2				
VZQA-C-M22U-15-S1S5-AL...	25, 34				
VZQA-C-M22U-15-S1S5-V4...	25, 34				
VZQA-C-M22U-15-S1T-AL...	25, 1/2NPT				
VZQA-C-M22U-15-S1T-V4...	25, 1/2NPT				
VZQA-C-M22U-15-S1S1-AL...	25, 25				
VZQA-C-M22U-15-S1S1-V4...	25, 25				

1) Process valve 1/process valve 2

Dimensions

Dimensions – VZQA...-M22U, nominal width 15 (part 2 of 2)

Download CAD data www.festo.com

[1] Process valve connection 1

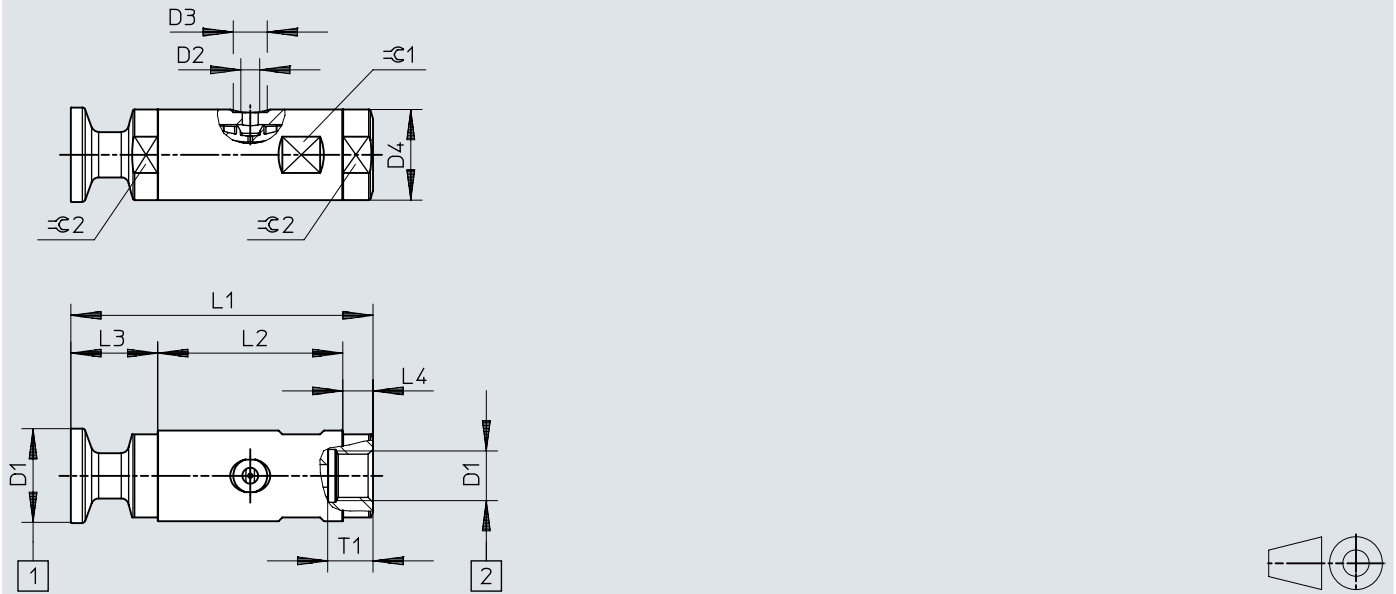
[2] Process valve connection 2

	L3	L4	T1	$\ominus C1$	$\ominus C2$
VZQA-C-M22U-15-GG-AL...	7	7			
VZQA-C-M22U-15-GG-V4...	7	7			
VZQA-C-M22U-15-GS5-AL...	7	7			
VZQA-C-M22U-15-GS5-V4...	7	7			
VZQA-C-M22U-15-GT-AL...	7	7			
VZQA-C-M22U-15-GT-V4...	7	7			
VZQA-C-M22U-15-GS1-AL...	7	7			
VZQA-C-M22U-15-GS1-V4...	7	7			
VZQA-C-M22U-15-S5G-AL...	24,5	24,5			
VZQA-C-M22U-15-S5G-V4...	24,5	24,5			
VZQA-C-M22U-15-S5S5-AL...	24,5	24,5			
VZQA-C-M22U-15-S5S5-V4...	24,5	24,5			
VZQA-C-M22U-15-S5T-AL...	24,5	24,5			
VZQA-C-M22U-15-S5T-V4...	24,5	24,5			
VZQA-C-M22U-15-S5S1-AL...	24,5	24,5			
VZQA-C-M22U-15-S5S1-V4...	24,5	24,5			
VZQA-C-M22U-15-TG-AL...	7	7	14	36	36
VZQA-C-M22U-15-TG-V4...	7	7			
VZQA-C-M22U-15-TS5-AL...	7	7			
VZQA-C-M22U-15-TS5-V4...	7	7			
VZQA-C-M22U-15-TT-AL...	7	7			
VZQA-C-M22U-15-TT-V4...	7	7			
VZQA-C-M22U-15-TS1-AL...	7	7			
VZQA-C-M22U-15-TS1-V4...	7	7			
VZQA-C-M22U-15-S1G-AL...	24,5	24,5			
VZQA-C-M22U-15-S1G-V4...	24,5	24,5			
VZQA-C-M22U-15-S1S5-AL...	24,5	24,5			
VZQA-C-M22U-15-S1S5-V4...	24,5	24,5			
VZQA-C-M22U-15-S1T-AL...	24,5	24,5			
VZQA-C-M22U-15-S1T-V4...	24,5	24,5			
VZQA-C-M22U-15-S1S1-AL...	24,5	24,5			
VZQA-C-M22U-15-S1S1-V4...	24,5	24,5			

Dimensions

Dimensions – VZQA-...-M22U, nominal width 25 (part 1 of 2)

Download CAD data www.festo.com



- [1] Process valve connection 1
- [2] Process valve connection 2

Dimensions

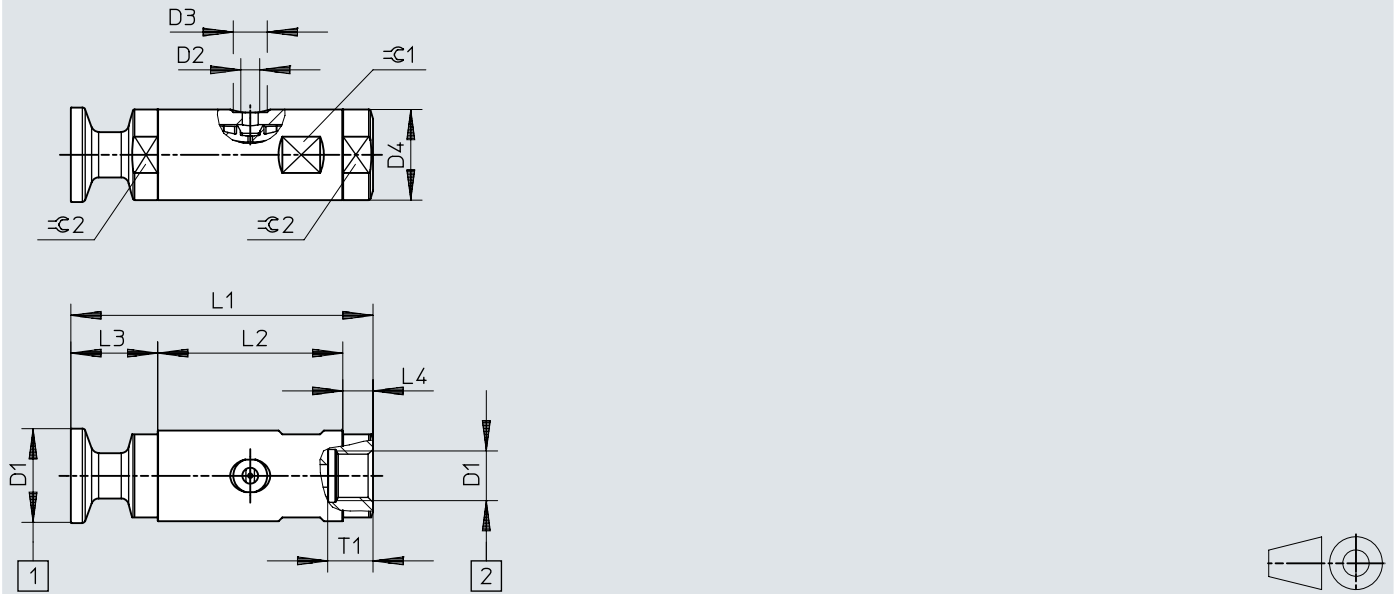
	D1 1)	D2	D3 ∅	D4 ∅	L2
VZQA-C-M22U-25-GG-AL...	G1, G1				
VZQA-C-M22U-25-GG-V4...	G1, G1				
VZQA-C-M22U-25-GS5-AL...	G1, 50,5				
VZQA-C-M22U-25-GS5-V4...	G1, 50,5				
VZQA-C-M22U-25-GT-AL...	G1, 1NPT				
VZQA-C-M22U-25-GT-V4...	G1, 1NPT				
VZQA-C-M22U-25-GS1-AL...	G1, 34				
VZQA-C-M22U-25-GS1-V4...	G1, 34				
VZQA-C-M22U-25-GS12-AL...	G1, 50,4				
VZQA-C-M22U-25-GS12-V4...	G1, 50,4				
VZQA-C-M22U-25-S5G-AL...	50,5, G1				
VZQA-C-M22U-25-S5G-V4...	50,5, G1				
VZQA-C-M22U-25-S5S5-AL...	50,5, 50,5				
VZQA-C-M22U-25-S5S5-V4...	50,5, 50,5				
VZQA-C-M22U-25-S5T-AL...	50,5, 1NPT				
VZQA-C-M22U-25-S5T-V4...	50,5, 1NPT				
VZQA-C-M22U-25-S5S1-AL...	50,5, 34				
VZQA-C-M22U-25-S5S1-V4...	50,5, 34				
VZQA-C-M22U-25-S5S12-AL...	50,5, 50,4				
VZQA-C-M22U-25-S5S12-V4...	50,5, 50,4				
VZQA-C-M22U-25-TG-AL...	1NPT, G1				
VZQA-C-M22U-25-TG-V4...	1NPT, G1				
VZQA-C-M22U-25-TS5-AL...	1NPT, 50,5				
VZQA-C-M22U-25-TS5-V4...	1NPT, 50,5				
VZQA-C-M22U-25-TT-AL...	1NPT, 1NPT				
VZQA-C-M22U-25-TT-V4...	1NPT, 1NPT	G1/8	15	58	109
VZQA-C-M22U-25-TS1-AL...	1NPT, 34				
VZQA-C-M22U-25-TS1-V4...	1NPT, 34				
VZQA-C-M22U-25-TS12-AL...	1NPT, 50,4				
VZQA-C-M22U-25-TS12-V4...	1NPT, 50,4				
VZQA-C-M22U-25-S1G-AL...	34, G1				
VZQA-C-M22U-25-S1G-V4...	34, G1				
VZQA-C-M22U-25-S1S5-AL...	34, 50,5				
VZQA-C-M22U-25-S1S5-V4...	34, 50,5				
VZQA-C-M22U-25-S1T-AL...	34, 1NPT				
VZQA-C-M22U-25-S1T-V4...	34, 1NPT				
VZQA-C-M22U-25-S1S1-AL...	34, 34				
VZQA-C-M22U-25-S1S1-V4...	34, 34				
VZQA-C-M22U-25-S1S12-AL...	34, 50,4				
VZQA-C-M22U-25-S1S12-V4...	34, 50,4				
VZQA-C-M22U-25-S12G-AL...	50,4, G1				
VZQA-C-M22U-25-S12G-V4...	50,4, G1				
VZQA-C-M22U-25-S12S5-AL...	50,4, 50,5				
VZQA-C-M22U-25-S12S5-V4...	50,4, 50,5				
VZQA-C-M22U-25-S12T-AL...	50,4, 1NPT				
VZQA-C-M22U-25-S12T-V4...	50,4, 1NPT				
VZQA-C-M22U-25-S12S1-AL...	50,4, 34				
VZQA-C-M22U-25-S12S1-V4...	50,4, 34				
VZQA-C-M22U-25-S12S12-AL...	50,4, 50,4				
VZQA-C-M22U-25-S12S12-V4...	50,4, 50,4				

1) Process valve 1/process valve 2

Dimensions

Dimensions – VZQA-...-M22U, nominal width 25 (part 2 of 2)

Download CAD data www.festo.com



- [1] Process valve connection 1
- [2] Process valve connection 2

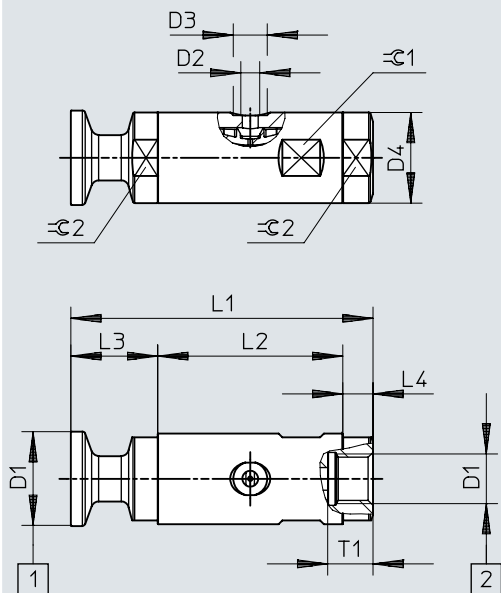
Dimensions

	L3	L4	T1	≙ 1	≙ 2
VZQA-C-M22U-25-GG-AL...	10,5	10,5	18	55	55
VZQA-C-M22U-25-GG-V4...	10,5	10,5			
VZQA-C-M22U-25-GS5-AL...	10,5	10,5			
VZQA-C-M22U-25-GS5-V4...	10,5	10,5			
VZQA-C-M22U-25-GT-AL...	10,5	10,5			
VZQA-C-M22U-25-GT-V4...	10,5	10,5			
VZQA-C-M22U-25-GS1-AL...	10,5	10,5			
VZQA-C-M22U-25-GS1-V4...	10,5	10,5			
VZQA-C-M22U-25-GS12-AL...	10,5	10,5			
VZQA-C-M22U-25-GS12-V4...	10,5	10,5			
VZQA-C-M22U-25-S5G-AL...	28	28			
VZQA-C-M22U-25-S5G-V4...	28	28			
VZQA-C-M22U-25-S5S5-AL...	28	28			
VZQA-C-M22U-25-S5S5-V4...	28	28			
VZQA-C-M22U-25-S5T-AL...	28	28			
VZQA-C-M22U-25-S5T-V4...	28	28			
VZQA-C-M22U-25-S5S1-AL...	28	28			
VZQA-C-M22U-25-S5S1-V4...	28	28			
VZQA-C-M22U-25-S5S12-AL...	28	28			
VZQA-C-M22U-25-S5S12-V4...	28	28			
VZQA-C-M22U-25-TG-AL...	10,5	10,5			
VZQA-C-M22U-25-TG-V4...	10,5	10,5			
VZQA-C-M22U-25-TS5-AL...	10,5	10,5			
VZQA-C-M22U-25-TS5-V4...	10,5	10,5			
VZQA-C-M22U-25-TT-AL...	10,5	10,5			
VZQA-C-M22U-25-TT-V4...	10,5	10,5			
VZQA-C-M22U-25-TS1-AL...	10,5	10,5			
VZQA-C-M22U-25-TS1-V4...	10,5	10,5			
VZQA-C-M22U-25-TS12-AL...	10,5	10,5			
VZQA-C-M22U-25-TS12-V4...	10,5	10,5			
VZQA-C-M22U-25-S1G-AL...	28	28			
VZQA-C-M22U-25-S1G-V4...	28	28			
VZQA-C-M22U-25-S1S5-AL...	28	28			
VZQA-C-M22U-25-S1S5-V4...	28	28			
VZQA-C-M22U-25-S1T-AL...	28	28			
VZQA-C-M22U-25-S1T-V4...	28	28			
VZQA-C-M22U-25-S1S1-AL...	28	28			
VZQA-C-M22U-25-S1S1-V4...	28	28			
VZQA-C-M22U-25-S1S12-AL...	28	28			
VZQA-C-M22U-25-S1S12-V4...	28	28			
VZQA-C-M22U-25-S12G-AL...	28	28			
VZQA-C-M22U-25-S12G-V4...	28	28			
VZQA-C-M22U-25-S12S5-AL...	28	28			
VZQA-C-M22U-25-S12S5-V4...	28	28			
VZQA-C-M22U-25-S12T-AL...	28	28			
VZQA-C-M22U-25-S12T-V4...	28	28			
VZQA-C-M22U-25-S12S1-AL...	28	28			
VZQA-C-M22U-25-S12S1-V4...	28	28			
VZQA-C-M22U-25-S12S12-AL...	28	28			
VZQA-C-M22U-25-S12S12-V4...	28	28			

Dimensions

Dimensions – VZQA-...-M22U, nominal width 50 (part 1 of 2)

Download CAD data www.festo.com



- [1] Process valve connection 1
- [2] Process valve connection 2

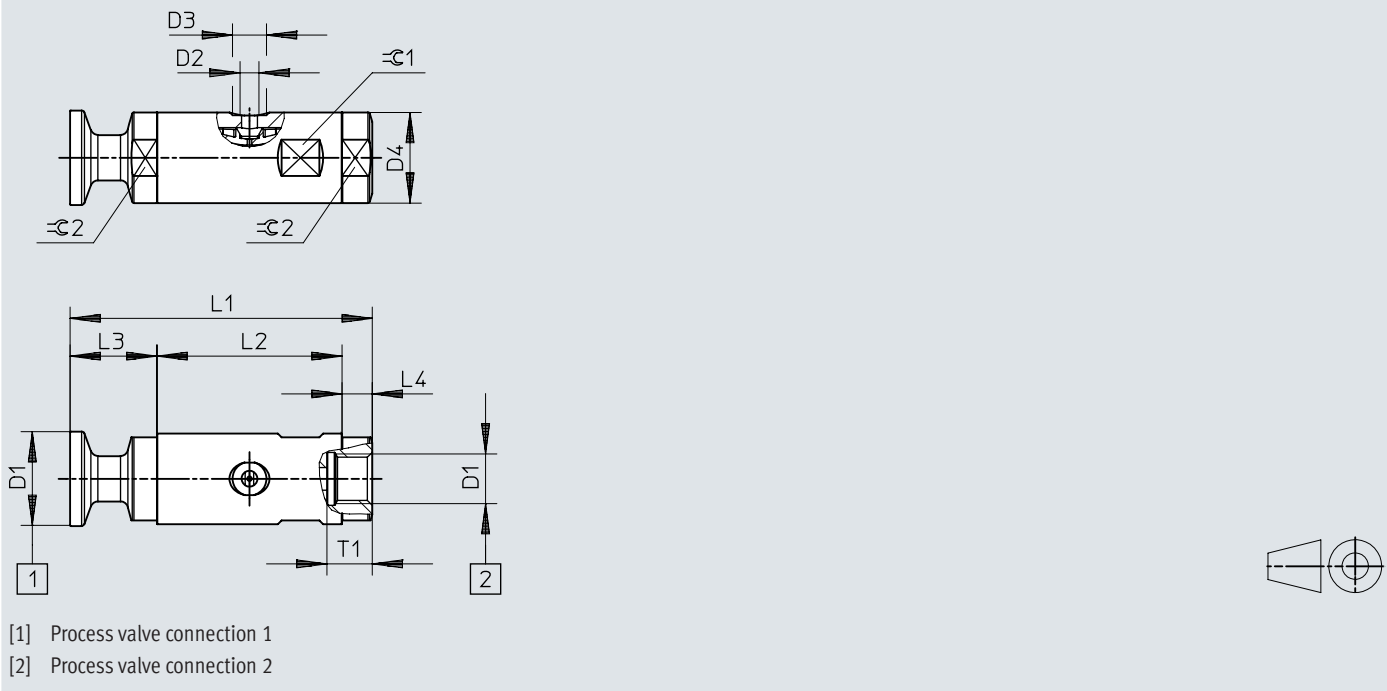
	D1 1)	D2	D3 ø	D4 ø	L2
VZQA-C-M22U-50-GG-AL...	G2, G2				
VZQA-C-M22U-50-GG-V2...	G2, G2				
VZQA-C-M22U-50-GS5-AL...	G2, 64				
VZQA-C-M22U-50-GS5-V2...	G2, 64				
VZQA-C-M22U-50-GT-AL...	G2, 2NPT				
VZQA-C-M22U-50-GT-V2...	G2, 2NPT				
VZQA-C-M22U-50-GS12-AL...	G2, 63,91				
VZQA-C-M22U-50-GS12-V2...	G2, 63,91				
VZQA-C-M22U-50-S5G-AL...	64, G2				
VZQA-C-M22U-50-S5G-V2...	64, G2				
VZQA-C-M22U-50-S5S5-AL...	64, 64				
VZQA-C-M22U-50-S5S5-V2...	64, 64				
VZQA-C-M22U-50-S5T-AL...	64, 2NPT				
VZQA-C-M22U-50-S5T-V2...	64, 2NPT				
VZQA-C-M22U-50-S5S12-AL...	64, 63,91				
VZQA-C-M22U-50-S5S12-V2...	64, 63,91				
VZQA-C-M22U-50-TG-AL...	2NPT, G2	G1/8	15	88	150
VZQA-C-M22U-50-TG-V2...	2NPT, G2				
VZQA-C-M22U-50-TS5-AL...	2NPT, 64				
VZQA-C-M22U-50-TS5-V2...	2NPT, 64				
VZQA-C-M22U-50-TT-AL...	2NPT, 2NPT				
VZQA-C-M22U-50-TT-V2...	2NPT, 2NPT				
VZQA-C-M22U-50-TS12-AL...	2NPT, 63,91				
VZQA-C-M22U-50-TS12-V2...	2NPT, 63,91				
VZQA-C-M22U-50-S12G-AL...	63,91, G2				
VZQA-C-M22U-50-S12G-V2...	63,91, G2				
VZQA-C-M22U-50-S12S5-AL...	63,91, 64				
VZQA-C-M22U-50-S12S5-V2...	63,91, 64				
VZQA-C-M22U-50-S12T-AL...	63,91, 2NPT				
VZQA-C-M22U-50-S12T-V2...	63,91, 2NPT				
VZQA-C-M22U-50-S12S12-AL...	63,91, 63,91				
VZQA-C-M22U-50-S12S12-AL...	63,91, 63,91				

1) Process valve 1/process valve 2

Dimensions

Dimensions – VZQA...-M22U, nominal width 50 (part 2 of 2)


Download CAD data www.festo.com




	L3	L4	T1	$\varnothing 1$	$\varnothing 2$
VZQA-C-M22U-50-GG-AL...	15	15			
VZQA-C-M22U-50-GG-V2...	15	15			
VZQA-C-M22U-50-GS5-AL...	15	15			
VZQA-C-M22U-50-GS5-V2...	15	15			
VZQA-C-M22U-50-GT-AL...	15	15			
VZQA-C-M22U-50-GT-V2...	15	15			
VZQA-C-M22U-50-GS12-AL...	15	15			
VZQA-C-M22U-50-GS12-V2...	15	15			
VZQA-C-M22U-50-S5G-AL...	29	29			
VZQA-C-M22U-50-S5G-V2...	29	29			
VZQA-C-M22U-50-S5S5-AL...	29	29			
VZQA-C-M22U-50-S5S5-V2...	29	29			
VZQA-C-M22U-50-S5T-AL...	29	29			
VZQA-C-M22U-50-S5T-V2...	29	29			
VZQA-C-M22U-50-S5S12-AL...	29	29			
VZQA-C-M22U-50-S5S12-V2...	29	29			
VZQA-C-M22U-50-TG-AL...	15	15	22	85	85
VZQA-C-M22U-50-TG-V2...	15	15			
VZQA-C-M22U-50-TS5-AL...	15	15			
VZQA-C-M22U-50-TS5-V2...	15	15			
VZQA-C-M22U-50-TT-AL...	15	15			
VZQA-C-M22U-50-TT-V2...	15	15			
VZQA-C-M22U-50-TS12-AL...	15	15			
VZQA-C-M22U-50-TS12-V2...	15	15			
VZQA-C-M22U-50-S12G-AL...	29	29			
VZQA-C-M22U-50-S12G-V2...	29	29			
VZQA-C-M22U-50-S12S5-AL...	29	29			
VZQA-C-M22U-50-S12S5-V2...	29	29			
VZQA-C-M22U-50-S12T-AL...	29	29			
VZQA-C-M22U-50-S12T-V2...	29	29			
VZQA-C-M22U-50-S12S12-AL...	29	29			
VZQA-C-M22U-50-S12S12-AL...	29	29			

Ordering data


Ordering data VZQA-C-M22C, aluminium housing material

	Nominal size DN	Connection Process valve	Material shut-off element	Product weight	Part no.	Type
	6	G1/4	EPDM	137 g	4748312	VZQA-C-M22C-6-GG-ALALE-4
	15	Clamp to DIN 32676 series A		608 g	3412425	VZQA-C-M22C-15-S5S5-ALV4E-6-E
	25	G1		1,186 g	8159107	VZQA-C-M22C-25-GG-ALALE-5-T28


Ordering data VZQA-C-M22C, stainless steel housing material

	Nominal size DN	Connection Process valve	Material shut-off element	Product weight	Part no.	Type
	6	Clamp to ASME-BPE, type A	EPDM	302 g	8079858	VZQA-C-M22C-6-S1S1-V2V4E-4
			VMQ (silicone)		8117023	VZQA-C-M22C-6-S1S1-V2V4S1-2
		Clamp to DIN 32676 series A	EPDM	311 g	8079857	VZQA-C-M22C-6-S5S5-V2V4E-4
			VMQ (silicone)		8117022	VZQA-C-M22C-6-S5S5-V2V4S1-2
		G1/4	EPDM	253 g	8091739	VZQA-C-M22C-6-GG-V2V4E-4
			VMQ (silicone)		8117024	VZQA-C-M22C-6-GG-V2V4S1-2
	1/4 NPT	EPDM	256 g	4748311	VZQA-C-M22C-6-TT-V2V4E-4	
		VMQ (silicone)		8117025	VZQA-C-M22C-6-TT-V2V4S1-2	
	15	Clamp to ASME-BPE, type A	EPDM	611 g	3412430	VZQA-C-M22C-15-S1S1-V2V4S1-2
					VMQ (silicone)	3412424
		Clamp to DIN 32676 series A	EPDM	655 g	3412427	VZQA-C-M22C-15-S5S5-V2V4S1-2
			VMQ (silicone)	537 g	3412426	VZQA-C-M22C-15-GG-V2V4E-6
		G1/2	EPDM	549 g	3412428	VZQA-C-M22C-15-GG-V2V4S1-2
	25	Clamp to DIN 32676 series A	EPDM	2,354 g	8159106	VZQA-C-M22C-25-S5S5-V2V4E-5
			VMQ (silicone)		8159104	VZQA-C-M22C-25-S5S5-V2V4S1-2
		G1	EPDM	2,068 g	8159108	VZQA-C-M22C-25-GG-V2V4E-5-T28
VMQ (silicone)			8159105		VZQA-C-M22C-25-GG-V2V4S1-2	


Ordering data VZQA-C-M22U, aluminium housing material

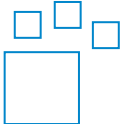
	Nominal size DN	Connection Process valve	Material shut-off element	Product weight	Suitability for the production of Li-ion batteries	Part no.	Type
	6	G1/4	NBR	105.5 g	F1a	2931679	VZQA-C-M22U-6-GG-ALV4N-4
	15	G1/2		158 g		3022832	VZQA-C-M22U-15-GG-ALPOMN-4
				265 g		3022831	VZQA-C-M22U-15-GG-ALV4N-4
	25	G1	EPDM	480 g		3968923	VZQA-C-M22U-25-GG-ALALE-4
	50	Clamp to DIN 32676 series A		2,432 g		8161474	VZQA-C-M22U-50-S5S5-ALV4E-2
				1,302 g		8161473	VZQA-C-M22U-50-GG-ALALE-2
		G2		2,090 g		8161475	VZQA-C-M22U-50-GG-ALV4E-2
		2 NPT		1,302 g		8161477	VZQA-C-M22U-50-TT-ALALE-2
	2,090 g			8161476		VZQA-C-M22U-50-TT-ALV4E-2	

Ordering data VZQA-C-M22U, stainless steel housing material

	Nominal size DN	Connection Process valve	Material shut-off element	Product weight	Suitability for the production of Li-ion batteries	Part no.	Type
	6	Clamp to ASME-BPE, type A	VMQ (silicone)	195 g	F1a	2931684	VZQA-C-M22U-6-S1S1-V4V4S1-4

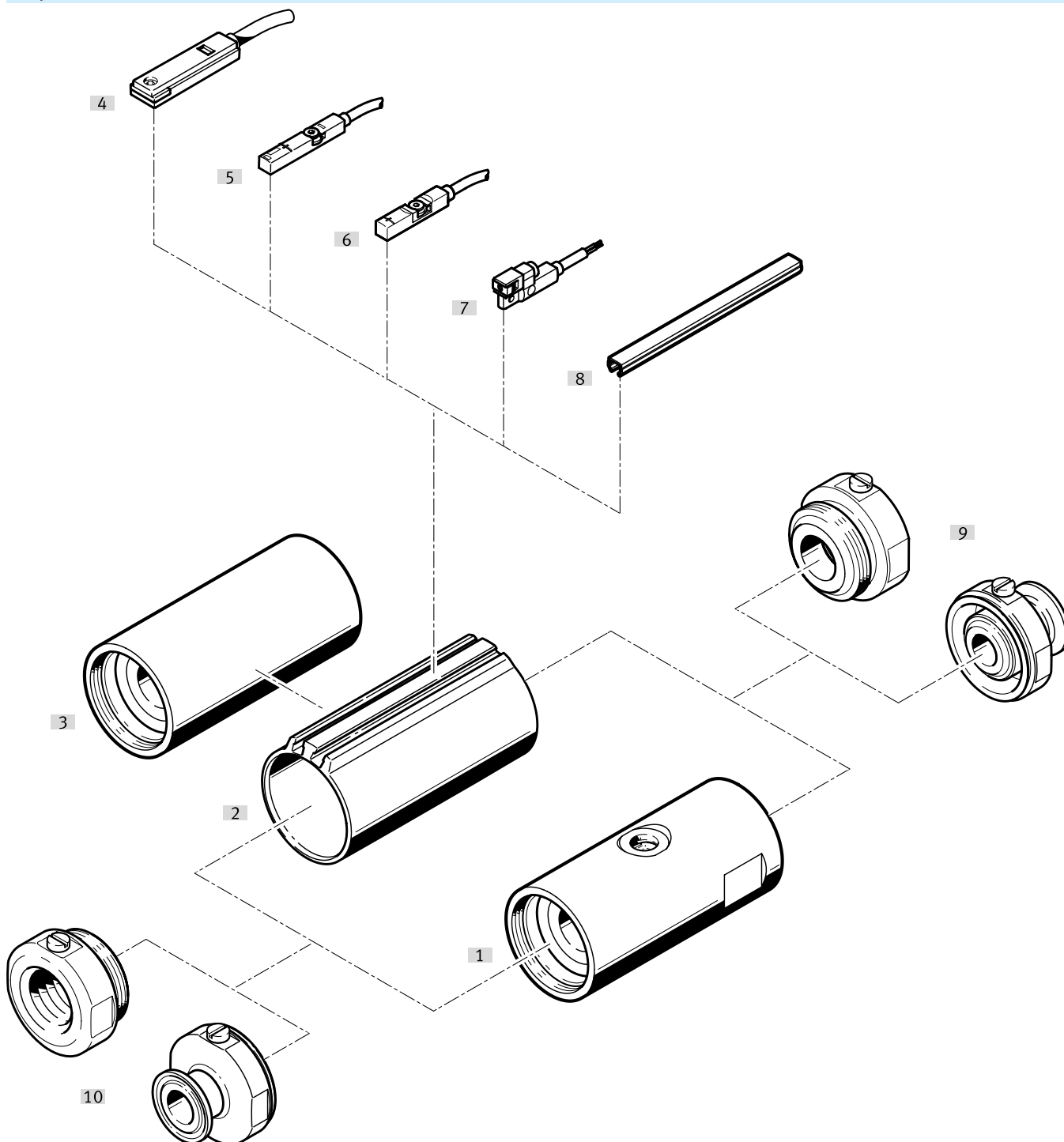
Ordering data

Ordering data VZQA-C-M22U, stainless steel housing material										
	Nominal size DN	Connection Process valve	Material shut-off element	Product weight	Suitability for the production of Li-ion batteries	Part no.	Type			
	6	Clamp to DIN 32676 series A	EPDM	215 g	F1a	2931681	VZQA-C-M22U-6-S5S5-V4V4E-4			
			VMQ (silicone)			2931682	VZQA-C-M22U-6-S5S5-V4V4S1-4			
		G1/4	EPDM	157 g		2931678	VZQA-C-M22U-6-GG-V4V4E-4			
			VMQ (silicone)	163 g		2931686	VZQA-C-M22U-6-GG-V4V4E-4-EXA			
		1/4 NPT	EPDM	157 g		2931683	VZQA-C-M22U-6-GG-V4V4S1-4			
			VMQ (silicone)	157 g		2931685	VZQA-C-M22U-6-TT-V4V4S1-4			
	15	Clamp to ASME-BPE, type A	Clamp to DIN 32676 series A	EPDM	495 g	F1a	3022837	VZQA-C-M22U-15-S1S1-V4V4S1-4		
				VMQ (silicone)			3022833	VZQA-C-M22U-15-S5S5-V4V4E-4		
		G1/2	EPDM	431 g	3022829		VZQA-C-M22U-15-GG-V4V4E-4			
				453 g	3022839		VZQA-C-M22U-15-GG-V4V4E-4-EXA			
		1/2 NPT	NBR	431 g	3022830		VZQA-C-M22U-15-GG-V4V4N-4			
				VMQ (silicone)	3022835		VZQA-C-M22U-15-GG-V4V4S1-4			
		1/2 NPT	VMQ (silicone)	3022838	VZQA-C-M22U-15-TT-V4V4S1-4					
				3968927	VZQA-C-M22U-25-S1S12-V4V4S1-4					
		25	Clamp to ASME-BPE, type B	Clamp to DIN 32676 series A	EPDM		1,474 g	F1a	3968924	VZQA-C-M22U-25-S5S5-V4V4E-4
					VMQ (silicone)				3968925	VZQA-C-M22U-25-S5S5-V4V4S1-4
	G1		EPDM	1,178 g	3968922	VZQA-C-M22U-25-GG-V4V4E-4				
				1,227 g	3968929	VZQA-C-M22U-25-GG-V4V4E-4-EXA				
	1 NPT		VMQ (silicone)	1,178 g	3968926	VZQA-C-M22U-25-GG-V4V4S1-4				
				3968928	VZQA-C-M22U-25-TT-V4V4S1-4					
	50	G2	EPDM	2,886 g	8172745	VZQA-C-M22U-50-GG-V2V4E-2				

Ordering data – Modular product system					
	Valve function	Material housing cover	Material shut-off element	Part no.	Type
	2/2-way, closed, monostable	High-alloy stainless steel, Wrought aluminium alloy	EPDM, VMQ (silicone)	3174282	VZQA-C-M22C-...
	2/2 open, single solenoid	POM, High-alloy stainless steel, Wrought aluminium alloy	EPDM, NBR, VMQ (silicone)	2037881	VZQA-C-M22U-...

Peripherals

Peripherals overview



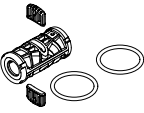
Accessories		→ Link
Type/order code	Description	
[1] Basic body VZQA-C-M22U	Normal position open	vzqa
[2] Basic body VZQA-C-M22C	- Normally closed - Variant with "aluminium housing material" (always with T-slots). - Integrated ring magnet only available when selecting "Type of sensing end positions"	vzqa
[3] Basic body VZQA-C-M22C	- Normally closed - Variant with stainless steel housing material	vzqa
[4] Proximity switch for T-slot SME-8	Magnetic reed, can be inserted in the slot lengthwise	31
[5] Proximity switch for T-slot SME-8M	Magnetic reed, can be inserted into the slot from above	31
[6] Proximity switch for T-slot SMT-8M	Magneto-resistive, can be inserted into the slot from above, according to EU explosion protection directive	30

Peripherals

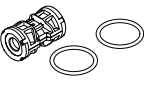
Accessories		→ Link
Type/order code	Description	
[7] Proximity switch for T-slot SMT-8G	Magneto-resistive, can be inserted in the slot lengthwise	30
[8] Slot cover ABP-5-S	To protect the sensor cables and slots from contamination	31
[9] Connection 2	<ul style="list-style-type: none"> - Various connections are available for selection: - G female thread - NPT female thread - Clamp ferrule, DIN 32676, A series - Clamp ferrule, ASME-BPE, type A - Clamp ferrule, ASME-BPE, type B 	vzqa
[10] Connection 1	<ul style="list-style-type: none"> - Various connections are available for selection: - G female thread - NPT female thread - Clamp ferrule, DIN 32676, A series - Clamp ferrule, ASME-BPE, type A - Clamp ferrule, ASME-BPE, type B 	vzqa

Accessories

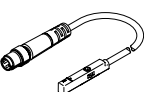
Seal cartridge VAVC-Q2-M22C

	Nominal size DN	Storage temperature	Material shut-off element	Part no.	Type
	6	5 ... 20 °C	EPDM	3418620	VAVC-Q2-M22C-6-E
		5 ... 30 °C	VMQ (silicone)	8119890	VAVC-Q2-M22C-6-S1
	15	5 ... 20 °C	EPDM	3418619	VAVC-Q2-M22C-15-E
		5 ... 30 °C	VMQ (silicone)	8117430	VAVC-Q2-M22C-15-S1
	25	5 ... 20 °C	EPDM	8161070	VAVC-Q2-M22C-25-E
		5 ... 30 °C	VMQ (silicone)	8161063	VAVC-Q2-M22C-25-S1

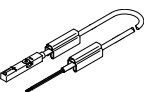
Seal cartridge VAVC-Q2-M22U

	Nominal size DN	Storage temperature	Material shut-off element	Part no.	Type
	6	5 ... 20 °C	EPDM	2392882	VAVC-Q2-M22U-6-E
			NBR	2392881	VAVC-Q2-M22U-6-N
		5 ... 30 °C	VMQ (silicone)	2392883	VAVC-Q2-M22U-6-S1
			15	5 ... 20 °C	EPDM
	NBR	3019151			VAVC-Q2-M22U-15-N
	5 ... 30 °C	VMQ (silicone)		3019144	VAVC-Q2-M22U-15-S1
	25	5 ... 20 °C	EPDM	3970095	VAVC-Q2-M22U-25-E-EXA
				3970093	VAVC-Q2-M22U-25-E
		5 ... 30 °C	VMQ (silicone)	3970092	VAVC-Q2-M22U-25-N
				3970094	VAVC-Q2-M22U-25-S1

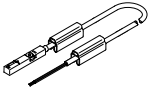
Proximity switch for T-slot, magneto-resistive

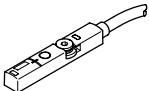
	Switching element function	Switching output	Electrical connection 1, connection type	Cable length	Part no.	Type	
	N/C contact	PNP	Cable	7.5 m	★ 574340	SMT-8M-A-PO-24V-E-7,5-OE	
	N/C or N/O contact, switchable	PNP/NPN, switchable	Cable with plug	0.3 m	★ 8059120	SDBT-MSX-1L-PU-E-0.3-N-M8	
				N/O contact	NPN	Cable	2.5 m
	Cable with plug	0.3 m	★ 574339				SMT-8M-A-NS-24V-E-0,3-M8D
		N/O contact	PNP	Cable	2.5 m	★ 574335	SMT-8M-A-PS-24V-E-2,5-OE
	5 m				574859	SMT-8G-PS-24V-E-2,5Q-OE	
	5 m				★ 574336	SMT-8M-A-PS-24V-E-5,0-OE	
	10 m				574380	CRSMT-8M-PS-24V-K-5,0-OE-EX2	
	Cable with plug				0.3 m	574381	CRSMT-8M-PS-24V-K-10,0-OE-EX2
						★ 574382	CRSMT-8M-PS-24V-K-0,3-M12-EX2
		★ 574337	SMT-8M-A-PS-24V-E-0,3-M12				
		574383	CRSMT-8M-PS-24V-K-0,3-M8D-EX2				
	Plugs			★ 574334	SMT-8M-A-PS-24V-E-0,3-M8D		
				547860	SMT-8G-PS-24V-E-0,3Q-M8D		
				562019	SMT-8-SL-PS-LED-24-B		


Proximity switch for T-slot, magnetic reed

	Switching element function	Switching output	Electrical connection 1, connection type	Cable length	Part no.	Type
	N/C contact	Contacting, bipolar	Cable	7.5 m	546799	SME-8M-DO-24V-K-7,5-OE
				160251	SME-8-O-K-LED-24	
	N/O contact	Contacting, bipolar, Without LED function		2.5 m	171169	SME-8-ZS-KL-LED-24
				152820	SME-8-K-LED-230	

Accessories

Proximity switch for T-slot, magnetic reed						
	Switching element function	Switching output	Electrical connection 1, connection type	Cable length	Part no.	Type
	N/O contact	Contacting, bipolar	Cable	2.5 m	543872	SME-8M-ZS-24V-K-2,5-OE
					543862	SME-8M-DS-24V-K-2,5-OE
					161756	SME-8-K-24-S6
					150855	SME-8-K-LED-24
				5 m	543863	SME-8M-DS-24V-K-5,0-OE
					175404	SME-8-K5-LED-24
					543876	SME-8M-DS-24V-K-7,5-OE
				7.5 m	530491	SME-8-K-7,5-LED-24
					543861	SME-8M-DS-24V-K-0,3-M8D
			Cable with plug	0.3 m	150857	SME-8-S-LED-24
Plugs						

Position transmitter for T-slot, magnetic Hall					
	Switching output	Electrical connection 1, connection type	Cable length	Part no.	Type
	2x PNP or 2x NPN adjustable	Cable	2.5 m	8063975	SDAS-MHS-M40-1L-PNLK-PN-E-2.5-LE
		Cable with plug	0.3 m	8063974	SDAS-MHS-M40-1L-PNLK-PN-E-0.3-M8

Slot cover for T-slot				
	Type of mounting	Size	Part no.	Type
	Insertable in the slot from above	5	151680	ABP-5-S