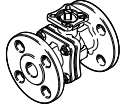
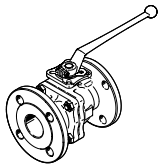


Ball valves VZBF

FESTO



Key features and product range overview

Design	Type	Valve connection	Nominal width DN	Flange hole pattern to ISO 5211	Process valve nominal pressure PN	→ Page/Internet	
Stainless steel	2-way, with flange to ANSI B16.5 class 150						
		VZBF	Ring housing with threaded flange	1/2"	F0304	20	4
				3/4"	F0304		
				1"	F0405		
				1 1/4"	F0405		
				1 1/2"	F0507		
				2"	F0507		
				2 1/2"	F0710		
				3"	F0710		
				4"	F1012		
				6"	F1012		
	8"	F14					
		VZBF	Ring housing with threaded flange	15	F0304	20	9
				20	F0304		
				25	F0405		
				32	F0405		
				40	F0507		
				50	F0507		
				65	F0710		
				80	F0710		
100				F1012			

Type codes

001	Series
VZBF	Ball valve

002	Nominal diameter DN
1/2	1/2"
3/4	3/4"
1	1"
1 1/4	1 1/4"
1 1/2	1 1/2"
2	2"
2 1/2	2 1/2"
3	3"
4	4"
6	6"
8	8"

003	Process valve connection
P1	Flange to ANSI 150

004	Nominal pressure
20	20

005	Design type
D	Two-part

006	Valve function
2	2/2-way

007	Flanged connection
F0304	Hole pattern 03 and 04
F0405	Hole pattern 04 and 05
F0507	Hole pattern 05 and 07
F0710	Hole pattern 07 and 10
F1012	Hole pattern 10 and 12
F14	Hole pattern 14

008	Actuation type
	Via drive
M	With hand lever

009	Housing material
V15	Stainless steel ASTM A351-CF8M

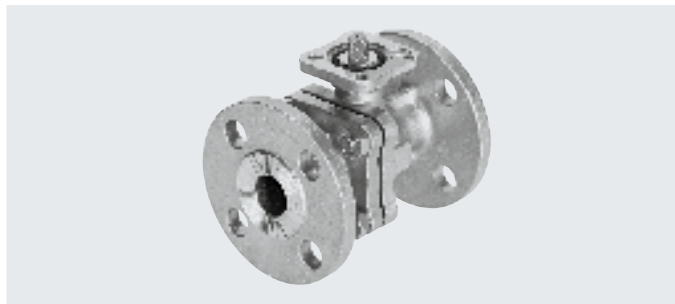
010	Shut-off element material
V15	Stainless steel ASTM A351-CF8M
V16	Stainless steel ASTM A240--316 / 1.4401


Data sheet


Function



- 2-way ball valve made of stainless steel



-  Ring housing
1/2" ... 8"

-  Flow rate
32 ... 7816 m³/h

General technical data

Nominal width DN	1/2"	3/4"	1"	1 1/4"	1 1/2"	2"	2 1/2"	3"	4"	6"	8"
Valve connection	Flange to ANSI B16.5 class 150										
Valve function	2/2										
Design	2-way ball valve										
Sealing principle	Soft										
Actuation type	Mechanical										
Switching position indication	Slot direction = flow direction										
Flow direction	Reversible										
Type of mounting	In-line installation										
Mounting position	Any										
Based on standard	ISO 5211 ANSI B16.5 class 150										
Breakaway torque at differential pressure of valve nominal pressure PN [Nm]	8	10	12	20	30	40	60	90	130	350	600
Inner ø [mm]	15	20	24	30	38	50	64	76	98	150	200
Flow rate Kv [m ³ /h]	32	59	87	140	232	420	707	995	1707	4258	7816

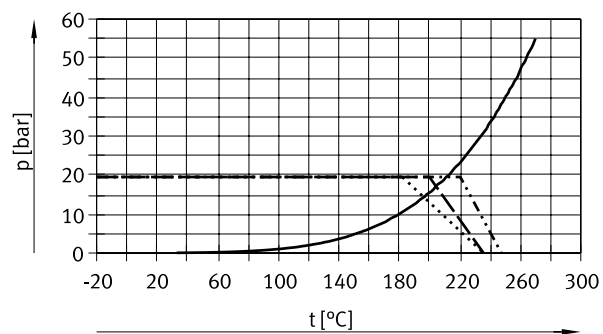
Operating and environmental conditions

Nominal width DN	1/2"	3/4"	1"	1 1/4"	1 1/2"	2"	2 1/2"	3"	4"	6"	8"
Valve nominal pressure PN	20										
Temperature of medium [°C]	-20 ... +200										
Medium	Vapour Compressed air to ISO 8573-1:2010 [:-:-] Inert gases Water Neutral fluids										
Certification	API607										-
	CRN										
Corrosion resistance class CRC ¹⁾	4										
CE marking (see declaration of conformity) ²⁾	-					To EU Pressure Equipment Directive					

- 1) Corrosion resistance class CRC 4 to Festo standard FN 940070
Particularly high corrosion stress. Outdoor exposure under extreme corrosive conditions. Parts exposed to aggressive media, e.g. in the chemical or food industries. Such applications may need to be safeguarded by means of special testing (→ also FN 940082), using appropriate media.
- 2) Additional information is available at www.festo.com/sp → Certificates.

Data sheet

Materials		Material number
Housing	Stainless steel casting	1.4408 (ASTM A351-CF8M)
Ball	1/2" ... 4"	1.4408 (ASTM A351-CF8M)
	6" ... 8"	High-alloy stainless steel
Shaft	High-alloy stainless steel	1.4401 (ASTM A240-316)
Seals	FPM	
	Graphite	
	PCTFE	
	PTFE	
Note on materials	RoHS-compliant	
	Contains paint-wetting impairment substances	

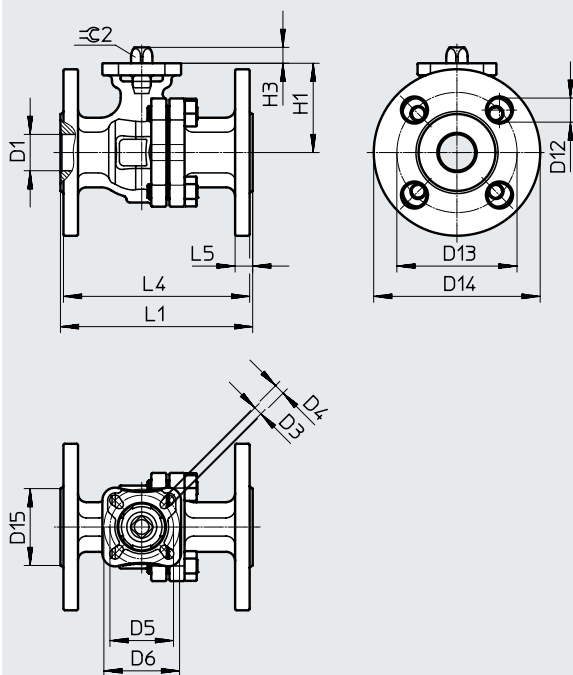
Permissible operating pressure p as a function of the temperature of the medium t 

- Saturated water vapour
- - - - - PTFE modified
- · - · - PTFE reinforced
- · · · · PTFE

Data sheet

Dimensions

Download CAD data → www.festo.com



Type	D1 ∅	D3 ∅	D4 ∅	D5 ∅	D6 ∅	D12 ∅	D13 ∅	D14 ∅	D15 ∅	H1	H3	L1 ±2	L4	L5	±0.2
VZBF-1/2-...	15	5.5	5.5	36	42	16	60.5	89	35	50.5	8.5	108	104.8	11.1	9
VZBF-3/4-...	20	5.5	5.5	36	42	16	70	98	43	55	8.5	117	113.8	11.6	9
VZBF-1-...	24	5.5	7	42	50	16	79.5	108	51	59	10.5	127.5	124.3	11.6	11
VZBF-1 1/4-...	30	5.5	7	42	50	16	89	117	64	62	10.5	140.5	137.3	12.7	11
VZBF-1 1/2-...	38	7	9	50	70	16	98.5	127	73	76	14	165	161.8	14.3	14
VZBF-2-...	50	7	9	50	70	19	120.5	152	92	84.5	14	178	174.8	16	14
VZBF-2 1/2-...	64	9	11	70	102	19	139.5	178	105	104.5	17	190.5	187.3	17.5	17
VZBF-3-...	76	9	11	70	102	19	152.5	190.5	127	111.5	17	203	199.8	19.1	17
VZBF-4-...	98	11	13	102	125	19	190.5	229	157	135.5	23	229	225.8	24	22
VZBF-6-...	150	11	13	102	125	22.4	241.5	279	216	201	27.5	394	390.8	25.4	27
VZBF-8-...	200	17	-	140	-	22.4	298.5	343	270	259	36	457	453.8	28.6	36

Ordering data

	Nominal width DN	Weight [g]	Part no.	Type
	1/2"	1550	4810851 ¹⁾	VZBF-1/2-P1-20-D-2-F0304-V15V15
	3/4"	1950	4810852 ¹⁾	VZBF-3/4-P1-20-D-2-F0304-V15V15
	1"	3050	4810853 ¹⁾	VZBF-1-P1-20-D-2-F0405-V15V15
	1 1/4"	3550	4810854 ¹⁾	VZBF-1 1/4-P1-20-D-2-F0405-V15V15
	1 1/2"	5630	4810855 ¹⁾	VZBF-1 1/2-P1-20-D-2-F0507-V15V15
	2"	7630	4810856 ¹⁾	VZBF-2-P1-20-D-2-F0507-V15V15
	2 1/2"	13650	4810857 ¹⁾	VZBF-2 1/2-P1-20-D-2-F0710-V15V15
	3"	17350	4810859 ¹⁾	VZBF-3-P1-20-D-2-F0710-V15V15
	4"	28100	4810860 ¹⁾	VZBF-4-P1-20-D-2-F1012-V15V15
	6"	50200	4810861 ¹⁾	VZBF-6-P1-20-D-2-F1012-V15V16
8"	84200	4810862 ¹⁾	VZBF-8-P1-20-D-2-F14-V15V16	

1) Festo is only a retailer of this product, not the manufacturer.

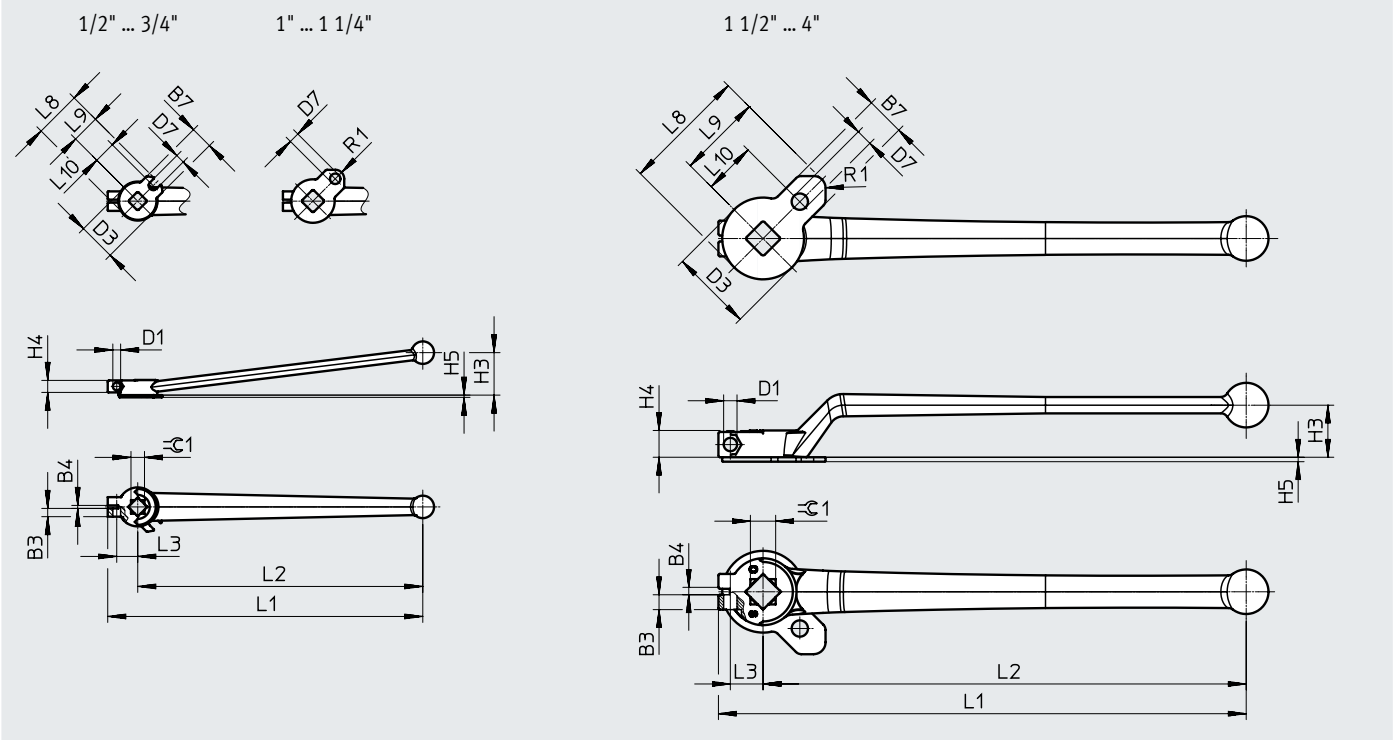
Accessories

Hand lever VAOH

- High-alloy stainless steel
- Free of copper and PTFE
- RoHS-compliant
- Contains paint-wetting impairment substances
- Lockable



Dimensions and ordering data

Download CAD data → www.festo.com

Dimensions and ordering data

For connection	B3	B4	B7	D1 ∅	D3 ∅	D7 ∅	H3	H4	H5	L1	L2
1/2" ... 3/4"	5.5	2	15.8	5.2	25	6	28.3	8	1.5	210	190
1" ... 1 1/4"	5.5	2	17.8	5.2	29	7	28.3	8	1.8	210	190
1 1/2" ... 2"	5.5	3	26	6.2	35	8	30.5	13.5	2	260	235
2 1/2" ... 3"	10	4	27.5	9	55	11	35	18	3	355	325
4"	10	4	27.5	9	70	12	38	21	3	355	325

For connection	L3	L8	L9	L10	R1	≈C1	CRC ²⁾	Weight [g]	Part no.	Type
1/2" ... 3/4"	14	33.5	21.1	18	–	9	3	150	4895982 ¹⁾	VAOH-F9-9-H9-A
1" ... 1 1/4"	14	41.5	27	21	6	11	3	150	4895983 ¹⁾	VAOH-F9-11-H9-A
1 1/2" ... 2"	16.2	54	36.5	25	5	14	3	370	4895984 ¹⁾	VAOH-F9-14-H9-A
2 1/2" ... 3"	22	83.6	56.1	35	8	17	3	850	4895985 ¹⁾	VAOH-F9-17-H9-A
4"	22	102.7	67.7	51	7	22	3	900	4895986 ¹⁾	VAOH-F9-22-H9-A

1) Festo is only a retailer of this product, not the manufacturer.

2) Corrosion resistance class CRC 3 to Festo standard FN 940070

High corrosion stress. Outdoor exposure under moderate corrosive conditions. Externally visible parts with primarily functional surface requirements which are in direct contact with a normal industrial environment.

Accessories

Hand lever VAOH

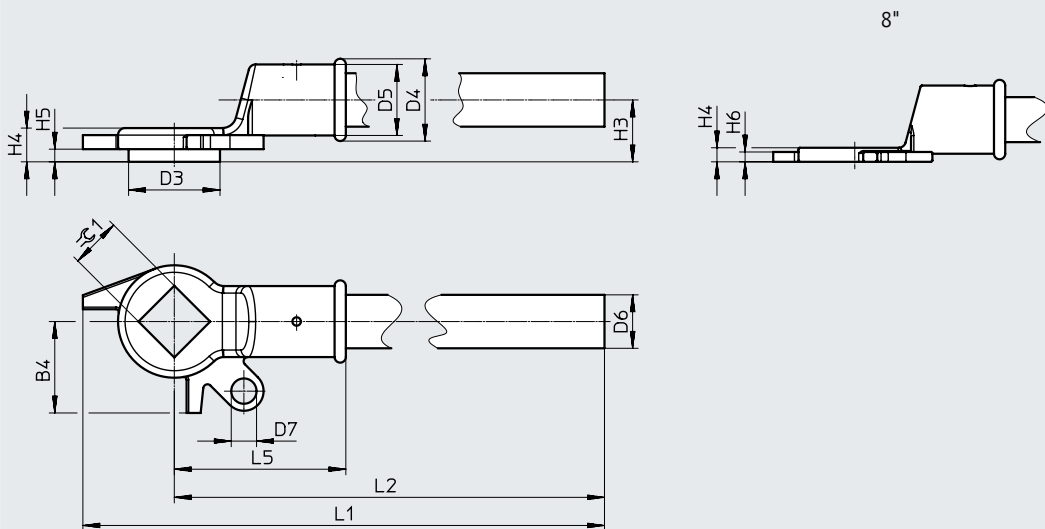
Information on materials:

- High-alloy stainless steel
- Free of copper and PTFE
- RoHS-compliant
- Contains paint-wetting impairment substances



Dimensions and ordering data

Download CAD data → www.festo.com



Dimensions and ordering data

For connection	B4	D3 ∅	D4 ∅	D5 ∅	D6 ∅	D7 ∅	H3	H4	H5
6"	58	–	56.5	48.5	32	14	30	10	–
8"	65	65	58.5	50.5	38	18	43.1	15	9

For connection	H6	L1	L2	L5	±e1	CRC ²⁾	Weight [g]	Part no.	Type
6"	7	815.1	757.1	107	27	3	1800	4895987 ¹⁾	VAOH-F9-27-H14-A
8"	10	928	863	122	36	3	3800	4895988 ¹⁾	VAOH-F9-36-H14-A

1) Festo is only a retailer of this product, not the manufacturer.

2) Corrosion resistance class CRC 3 to Festo standard FN 940070

High corrosion stress. Outdoor exposure under moderate corrosive conditions. Externally visible parts with primarily functional surface requirements which are in direct contact with a normal industrial environment.

Data sheet

Function



- 2-way ball valve made of stainless steel

- Ring housing
DN15 ... DN100

- Flow rate
8.5 ... 453.8 m³/h



General technical data									
Nominal width DN	15	20	25	32	40	50	65	80	100
Valve connection	Flange to ANSI B16.5 class 150								
Valve function	2/2								
Design	2-way ball valve								
Sealing principle	Soft								
Actuation type	Mechanical								
Switching position indication	Slot direction = flow direction								
Flow direction	Reversible								
Type of mounting	In-line installation								
Mounting position	Any								
Based on standard	ISO 5211 ANSI B16.5 class 150								
Breakaway torque at differential pressure of valve nominal pressure PN [Nm]	8	10	12	20	30	40	60	90	130
Inner ø [mm]	15	20	24	30	38	50	64	76	98
Flow rate Kv [m ³ /h]	8.5	15.6	23.2	37.3	61.6	111.8	187.9	264.5	453.8

Operating and environmental conditions									
Nominal width DN	15	20	25	32	40	50	65	80	100
Valve nominal pressure PN	20								
Temperature of medium [°C]	-20 ... +200								
Medium	Vapour Compressed air to ISO 8573-1:2010 [---] Inert gases Water Neutral fluids								
Certification	API607 CRN								
Corrosion resistance class CRC ¹⁾	4								
CE marking (see declaration of conformity) ²⁾	- To EU Pressure Equipment Directive								

1) Corrosion resistance class CRC 4 to Festo standard FN 940070

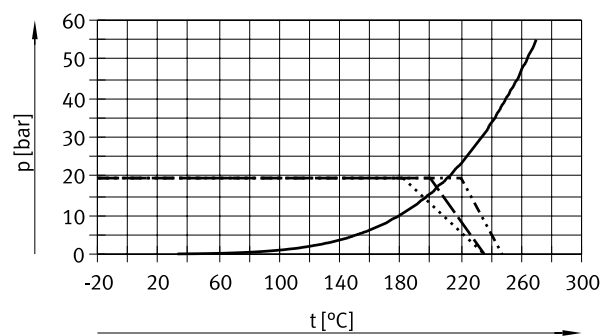
Particularly high corrosion stress. Outdoor exposure under extreme corrosive conditions. Parts exposed to aggressive media, e.g. in the chemical or food industries. Such applications may need to be safeguarded by means of special testing (→ also FN 940082), using appropriate media.

2) Additional information is available at www.festo.com/sp → Certificates.

Data sheet

Materials		Material number
Housing	Stainless steel casting	1.4408 (ASTM A351-CF8M)
Ball	Stainless steel casting	1.4408 (ASTM A351-CF8M)
Shaft	High-alloy stainless steel	1.4401 (ASTM A240-316)
Seat seal	PTFE	
	PTFE, modified	
Seals	FPM	
	Graphite	
	PCTFE	
	PTFE	
Note on materials	RoHS-compliant	
	Contains paint-wetting impairment substances	

Permissible operating pressure p as a function of the temperature of the medium t

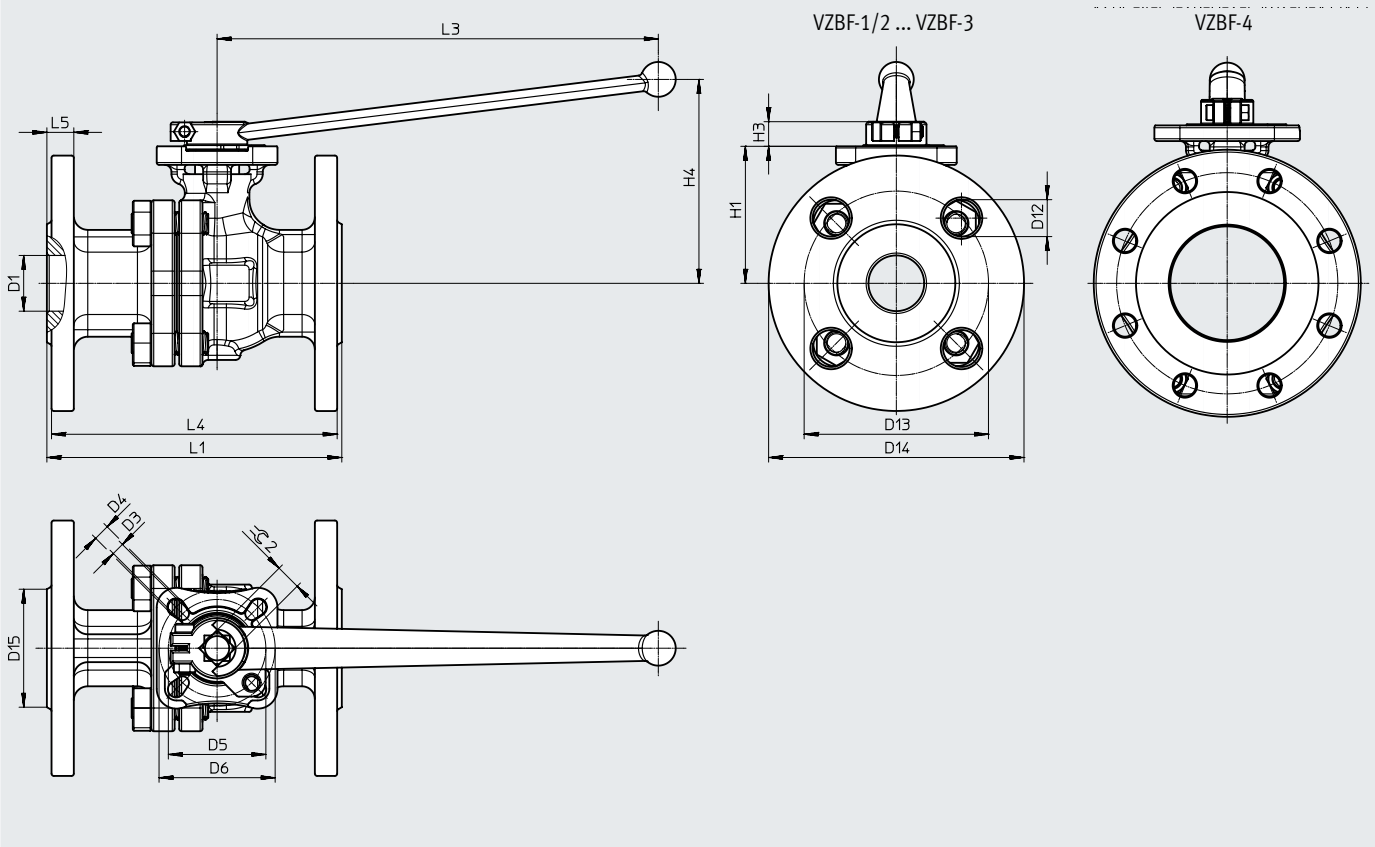


- Saturated water vapour
- - - - - PTFE modified
- PTFE reinforced
- PTFE

Data sheet

Dimensions

Download CAD data → www.festo.com



Type	D1 ∅	D3 ∅	D4 ∅	D5 ∅	D6 ∅	D12 ∅	D13 ∅	D14 ∅	D15 ∅	H1	H3	H4	L1 ±2	L3	L4	L5	≈G2
VZBF-1/2-...	15	5.5	5.5	36	42	16	60.5	89	35	50.5	8.5	78.5	108	190	104.8	11.1	9
VZBF-3/4-...	20	5.5	5.5	36	42	16	70	98	43	55	8.5	83	117	190	113.8	11.6	9
VZBF-1-...	24	5.5	7	42	50	16	79.5	108	51	59	10.5	86.7	127.5	190	124.3	11.6	11
VZBF-1 1/4-...	30	5.5	7	42	50	16	89	117	64	62	10.5	90.4	140.5	190	137.3	12.7	11
VZBF-1 1/2-...	38	7	9	50	70	16	98.5	127	73	76	14	108.4	165	235	161.8	14.3	14
VZBF-2-...	50	7	9	50	70	19	120.5	152	92	84.5	14	117.4	178	235	174.8	16	14
VZBF-2 1/2-...	64	9	11	70	102	19	139.5	178	105	104.5	17	141.3	190.5	325	187.3	17.5	17
VZBF-3-...	76	9	11	70	102	19	152.5	190.5	127	111.5	17	148.3	203	325	199.8	19.1	17
VZBF-4-...	98	11	13	102	125	19	190.5	229	157	135.5	23	175.9	229	325	225.8	24	22

Ordering data

	Nominal width DN	Weight [g]	Part no.	Type
	15	1700	8097467 ¹⁾	VZBF-1/2-P1-20-D-2-F0304-M-V15V15
	20	2100	8097468 ¹⁾	VZBF-3/4-P1-20-D-2-F0304-M-V15V15
	25	3200	8097469 ¹⁾	VZBF-1-P1-20-D-2-F0405-M-V15V15
	32	3700	8097470 ¹⁾	VZBF-1 1/4-P1-20-D-2-F0405-M-V15V15
	40	6000	8097471 ¹⁾	VZBF-1 1/2-P1-20-D-2-F0507-M-V15V15
	50	8000	8097472 ¹⁾	VZBF-2-P1-20-D-2-F0507-M-V15V15
	65	14500	8097473 ¹⁾	VZBF-2 1/2-P1-20-D-2-F0710-M-V15V15
	80	18200	8097474 ¹⁾	VZBF-3-P1-20-D-2-F0710-M-V15V15
	100	29000	8097475 ¹⁾	VZBF-4-P1-20-D-2-F1012-M-V15V15

1) Festo is only a retailer of this product, not the manufacturer.

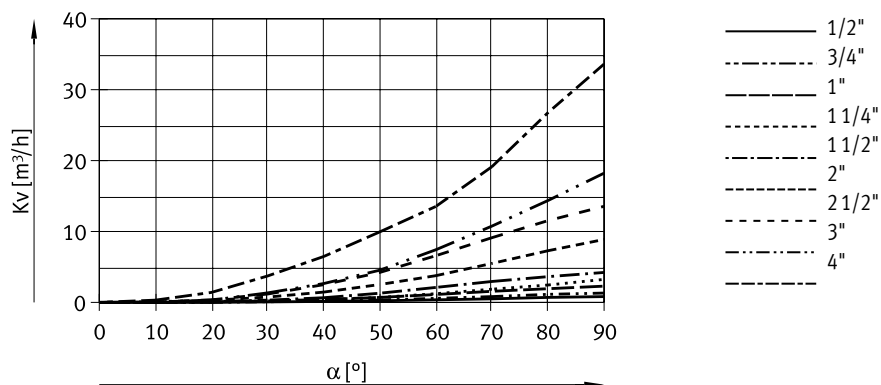
Accessories

V-port ball VAVC

- For ball valves VZBF
- Outlet opening 30°
- Shut-off element material:
Stainless steel casting
- RoHS-compliant
- Contains paint-wetting impairment substances



Flow rate factor Kv as a function of degree ° of opening of the valve



Ordering data						
	Outlet opening	Nominal width DN	CRC ¹⁾	Product weight [g]	Part no.	Type
	30°	15	4	52.6	8083128	VAVC-F9-B-V30-1/2"
		20		52.6	8083129	VAVC-F9-B-V30-3/4"
		25		159.6	8083130	VAVC-F9-B-V30-1"
		32		159.6	8083131	VAVC-F9-B-V30-1 1/4"
		40		257.7	8083132	VAVC-F9-B-V30-1 1/2"
		50		516.9	8083133	VAVC-F9-B-V30-2"
		65		954.3	8083134	VAVC-F9-B-V30-2 1/2"
		80		2384.1	8083135	VAVC-F9-B-V30-3"
		100		3287.3	8083136	VAVC-F9-B-V30-4"

1) Corrosion resistance class CRC 4 to Festo standard FN 940070
Particularly high corrosion stress. Outdoor exposure under extreme corrosive conditions. Parts exposed to aggressive media, e.g. in the chemical or food industries. Such applications may need to be safeguarded by means of special testing (→ also FN 940082), using appropriate media.

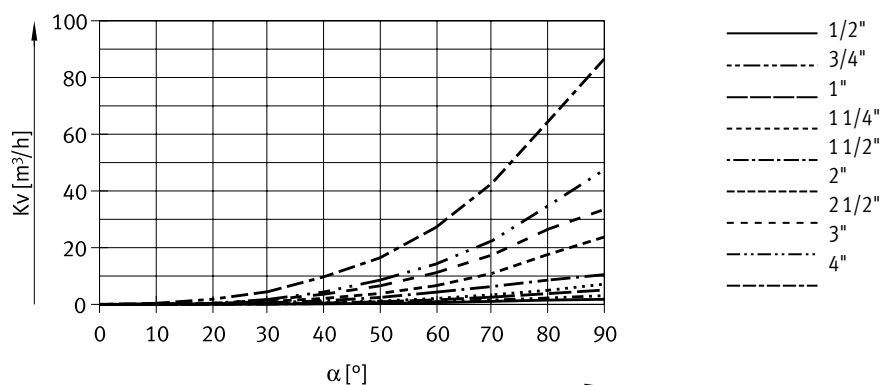
Accessories

V-port ball VAVC

- For ball valves VZBF
- Outlet opening 60°
- Shut-off element material:
Stainless steel casting
- RoHS-compliant
- Contains paint-wetting impairment substances



Flow rate factor Kv as a function of degree ° of opening of the valve



Ordering data						
	Outlet opening	Nominal width DN	CRC ¹⁾	Product weight [g]	Part no.	Type
	60°	15	4	51.1	8083137	VAVC-F9-B-V60-1/2"
		20		51.1	8083138	VAVC-F9-B-V60-3/4"
		25		154.4	8083139	VAVC-F9-B-V60-1"
		32		154.4	8083140	VAVC-F9-B-V60-1 1/4"
		40		248.5	8083141	VAVC-F9-B-V60-1 1/2"
		50		501.5	8083142	VAVC-F9-B-V60-2"
		65		922	8083143	VAVC-F9-B-V60-2 1/2"
		80		2323.6	8083144	VAVC-F9-B-V60-3"
		100		3203.9	8083145	VAVC-F9-B-V60-4"

1) Corrosion resistance class CRC 4 to Festo standard FN 940070

Particularly high corrosion stress. Outdoor exposure under extreme corrosive conditions. Parts exposed to aggressive media, e.g. in the chemical or food industries. Such applications may need to be safeguarded by means of special testing (→ also FN 940082), using appropriate media.

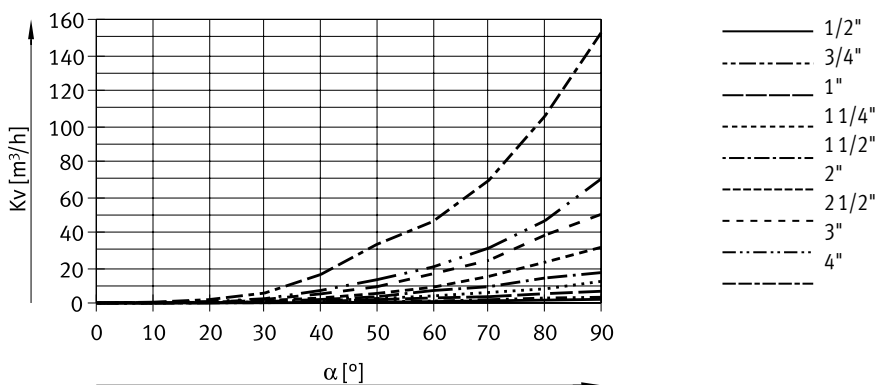
Accessories

V-port ball VAVC

- For ball valves VZBF
- Outlet opening 90°
- Shut-off element material:
Stainless steel casting
- RoHS-compliant
- Contains paint-wetting impairment substances



Flow rate factor Kv as a function of degree ° of opening of the valve



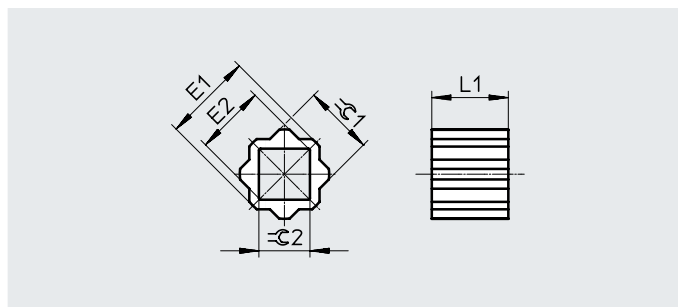
Ordering data						
	Outlet opening	Nominal width DN	CRC ¹⁾	Product weight [g]	Part no.	Type
	90°	15	4	49.8	8083146	VAVC-F9-B-V90-1/2"
		20		49.8	8083147	VAVC-F9-B-V90-3/4"
		25		150.5	8083148	VAVC-F9-B-V90-1"
		32		150.5	8083149	VAVC-F9-B-V90-1 1/4"
		40		241.5	8083150	VAVC-F9-B-V90-1 1/2"
		50		489.4	8083151	VAVC-F9-B-V90-2"
		65		896.8	8083152	VAVC-F9-B-V90-2 1/2"
		80		2276.4	8083153	VAVC-F9-B-V90-3"
		100		3139	8083154	VAVC-F9-B-V90-4"

1) Corrosion resistance class CRC 4 to Festo standard FN 940070
Particularly high corrosion stress. Outdoor exposure under extreme corrosive conditions. Parts exposed to aggressive media, e.g. in the chemical or food industries. Such applications may need to be safeguarded by means of special testing (→ also FN 940082), using appropriate media.

Accessories

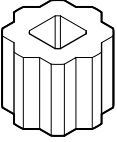
Reducing sleeve DARQ

- Connection 1,
function: drive outlet
- Connection 2,
function: reducing outlet
- Material:
Sintered stainless steel
- RoHS-compliant
- Contains paint-wetting impairment
substances



DARQ-R-A-...	E1 +0.1/-0.3	E2 +0.3/-0.1	L1 ± 0.2	$\varnothing 1$ -0.02/-0.12	$\varnothing 2$ +0.04/+0.18
S11-S8-...	14	11	12	11	8
S11-S9-...	14	12.3	11	11	9
S14-S8-...	18	11	16	14	8
S14-S9-...	18	12.3	16	14	9
S14-S10-...	18	13.3	16	14	10
S14-S11-...	18	14.3	16	14	11
S14-S12-...	18	16.3	16	14	12
S17-S8-...	22	11	17	17	8
S17-S9-...	22	12.3	17	17	9
S17-S11-...	22	14.3	17	17	11
S17-S12-...	22	16.3	17	17	12
S17-S14-...	22	18.3	17	17	14
S22-S11-...	28	14.3	22	22	11
S22-S14-...	28	18.3	22	22	14
S22-S16-...	28	21.3	22	22	16
S22-S17-...	28	22.3	22	22	17
S27-S14-...	36	18.3	27	27	14
S27-S17-...	36	22.3	27	27	17
S27-S22-...	36	28.5	27	27	22
S36-S22-...	48	28.5	36	36	22
S36-S27-...	48	36.1	36	36	27
S46-S36-...	59	48	46	46	36

Accessories

Ordering data		Connection	Length [mm]	CRC ¹⁾	Weight/piece [g]	Part no.	Type	PU ²⁾
Design	Drive outlet							
Female square and external octagon								
	A/F 11 mm	A/F 8 mm	12	2	7	8082116	DARQ-R-A-S11-S8-12	1
	A/F 11 mm	A/F 9 mm	11		5	8082117	DARQ-R-A-S11-S9-11	
	A/F 14 mm	A/F 8 mm	16		20	8086383	DARQ-R-A-S14-S8-16	
	A/F 14 mm	A/F 9 mm	16		18	8082118	DARQ-R-A-S14-S9-16	
	A/F 14 mm	A/F 10 mm	16		16	8082119	DARQ-R-A-S14-S10-16	
	A/F 14 mm	A/F 11 mm	16		13	8082120	DARQ-R-A-S14-S11-16	
	A/F 14 mm	A/F 12 mm	16		10	8082121	DARQ-R-A-S14-S12-16	
	A/F 17 mm	A/F 8 mm	17		36	8086384	DARQ-R-A-S17-S8-17	
	A/F 17 mm	A/F 9 mm	17		34	8096914	DARQ-R-A-S17-S9-17	
	A/F 17 mm	A/F 11 mm	17		29	8082122	DARQ-R-A-S17-S11-17	
	A/F 17 mm	A/F 12 mm	17		25	8086385	DARQ-R-A-S17-S12-17	
	A/F 17 mm	A/F 14 mm	17		19	8082123	DARQ-R-A-S17-S14-17	
	A/F 22 mm	A/F 11 mm	22		75	8086386	DARQ-R-A-S22-S11-22	
	A/F 22 mm	A/F 14 mm	22		62	8082124	DARQ-R-A-S22-S14-22	
	A/F 22 mm	A/F 16 mm	22		52	8082125	DARQ-R-A-S22-S16-22	
	A/F 22 mm	A/F 17 mm	22		46	8082126	DARQ-R-A-S22-S17-22	
	A/F 27 mm	A/F 14 mm	27		140	8096913	DARQ-R-A-S27-S14-27	
	A/F 27 mm	A/F 17 mm	27		121	8086387	DARQ-R-A-S27-S17-27	
	A/F 27 mm	A/F 22 mm	27		80	8082127	DARQ-R-A-S27-S22-27	
	A/F 36 mm	A/F 22 mm	36		286	8096915	DARQ-R-A-S36-S22-36	
	A/F 36 mm	A/F 27 mm	36		215	8082128	DARQ-R-A-S36-S27-36	
	A/F 46 mm	A/F 36 mm	46		410	8082129	DARQ-R-A-S46-S36-46	
	A/F 11 mm	A/F 8 mm	12		35	8082130	DARQ-R-A-S11-S8-12-P5	5
	A/F 11 mm	A/F 9 mm	11		25	8082131	DARQ-R-A-S11-S9-11-P5	
	A/F 14 mm	A/F 8 mm	16		100	8086388	DARQ-R-A-S14-S8-16-P5	
	A/F 14 mm	A/F 9 mm	16		90	8082132	DARQ-R-A-S14-S9-16-P5	
	A/F 14 mm	A/F 11 mm	16		65	8082133	DARQ-R-A-S14-S11-16-P5	
	A/F 17 mm	A/F 11 mm	17		145	8082134	DARQ-R-A-S17-S11-17-P5	
	A/F 17 mm	A/F 12 mm	17		125	8086389	DARQ-R-A-S17-S12-17-P5	
	A/F 17 mm	A/F 14 mm	17		95	8082135	DARQ-R-A-S17-S14-17-P5	
	A/F 22 mm	A/F 14 mm	22		310	8082136	DARQ-R-A-S22-S14-22-P5	
	A/F 22 mm	A/F 17 mm	22		230	8082137	DARQ-R-A-S22-S17-22-P5	
A/F 27 mm	A/F 22 mm	27	400	8082138	DARQ-R-A-S27-S22-27-P5			
A/F 36 mm	A/F 27 mm	36	1075	8082139	DARQ-R-A-S36-S27-36-P5			
A/F 11 mm	A/F 9 mm	11	50	8082140	DARQ-R-A-S11-S9-11-P10	10		
A/F 14 mm	A/F 9 mm	16	180	8082141	DARQ-R-A-S14-S9-16-P10			
A/F 14 mm	A/F 11 mm	16	130	8082142	DARQ-R-A-S14-S11-16-P10			
A/F 17 mm	A/F 14 mm	17	190	8082143	DARQ-R-A-S17-S14-17-P10			
A/F 22 mm	A/F 17 mm	22	460	8082144	DARQ-R-A-S22-S17-22-P10			
A/F 11 mm	A/F 9 mm	11	250	8082145	DARQ-R-A-S11-S9-11-P50		50	
A/F 14 mm	A/F 9 mm	16	900	8082146	DARQ-R-A-S14-S9-16-P50			
A/F 14 mm	A/F 11 mm	16	650	8082147	DARQ-R-A-S14-S11-16-P50			
A/F 17 mm	A/F 11 mm	17	1450	8082148	DARQ-R-A-S17-S11-17-P50			
A/F 22 mm	A/F 17 mm	22	2300	8082149	DARQ-R-A-S22-S17-22-P50			

1) Corrosion resistance class CRC 2 to Festo standard FN 940070

Moderate corrosion stress. Indoor applications in which condensation can occur. External visible parts with primarily decorative surface requirements which are in direct contact with a normal industrial environment.

2) Packaging unit

Accessories

Mounting kit DARQ

- Connection 1,
function: drive outlet
- Connection 2,
function: reducing outlet
- Material:
High-alloy stainless steel
- RoHS-compliant
- Contains paint-wetting impairment substances



General technical data

Based on standard	EN 15081 ISO 5211
Design	Female square and male square Mounting kit
Connection 1, function	Drive outlet
Connection 2, function	Reducing outlet

Operating and environmental conditions

Corrosion resistance class CRC ¹⁾	2
--	---

- 1) Corrosion resistance class CRC 2 to Festo standard FN 940070
Moderate corrosion stress. Indoor applications in which condensation can occur. External visible parts with primarily decorative surface requirements which are in direct contact with a normal industrial environment.

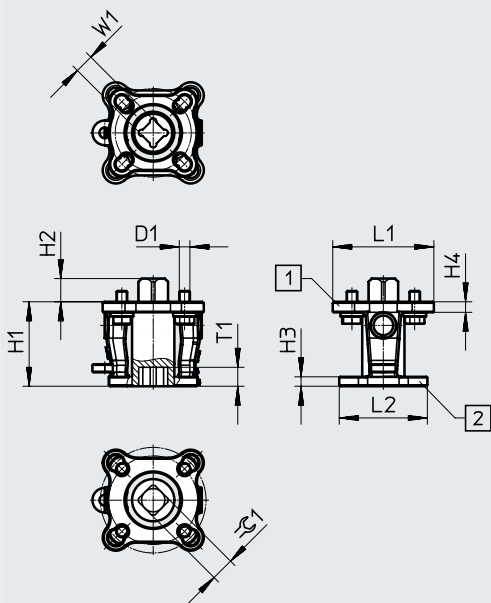
Materials

Coupling	High-alloy stainless steel
Mounting adapter	
Washer	
Screws	
Note on materials	RoHS-compliant Contains paint-wetting impairment substances

Accessories

Dimensions

Download CAD data → www.festo.com



[1] Connection 1, drive outlet
[2] Connection 2, reducing outlet

DARQ-K-V...	D1	H1	H2	H3	H4	L1	L2	T1	W1 H11	≈ 1 h11
F04S11-F03S9-...	M5	40	11	3.2	5	46	23	9	9	11
F05S14-F03S9-...	M6	40	15	3.2	5	46	23	9	9	14
F05S14-F04S11-...	M6	40	15	3.2	5	46	23	11	11	14
F07S17-F04S11-...	M8	50	18	6	6	66	30.5	11	11	17
F07S17-F05S14-...	M8	50	18	6	6	66	30.5	15	14	17
F10S22-F05S14-...	M10	75	23	10	9.5	132.1	63	15	14	22
F10S22-F07S17-...	M10	75	23	10	9.5	132.1	63	18	17	22

Ordering data

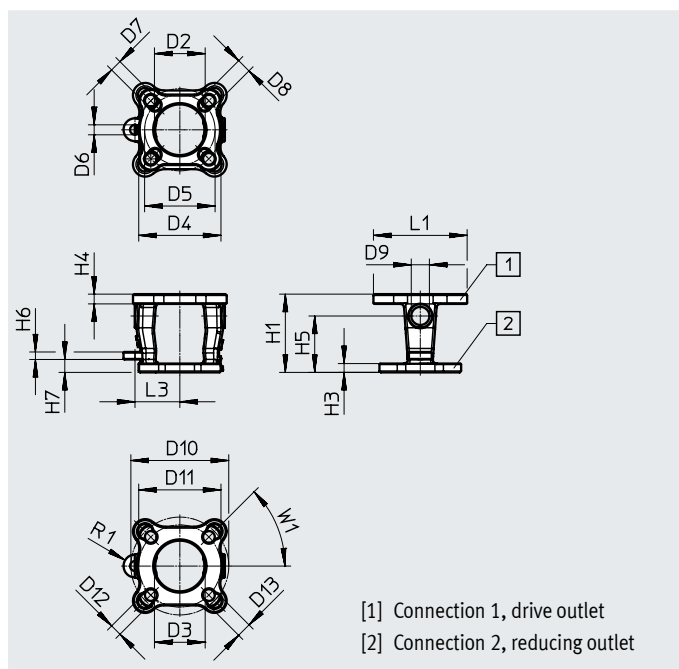
	Connection		Weight/piece [g]	Part no.	Type	PU ¹⁾
	Drive outlet	Reducing outlet				
	A/F 11 mm	A/F 9 mm	232	8088299	DARQ-K-V-F04S11-F03S9-R1	1
	A/F 14 mm	A/F 9 mm	255	8088301	DARQ-K-V-F05S14-F03S9-R1	
	A/F 14 mm	A/F 11 mm	342	8088297	DARQ-K-V-F05S14-F04S11-R1	
	A/F 17 mm	A/F 11 mm	563	8088302	DARQ-K-V-F07S17-F04S11-R1	
	A/F 17 mm	A/F 14 mm	771	8088303	DARQ-K-V-F07S17-F05S14-R1	
	A/F 22 mm	A/F 14 mm	1515	8088300	DARQ-K-V-F10S22-F05S14-R1	
	A/F 22 mm	A/F 17 mm	2010	8088298	DARQ-K-V-F10S22-F07S17-R1	

1) Packaging unit

Accessories

Mounting adapter DARQ

- Connection 1, function: drive outlet
- Connection 2, function: reducing outlet
- Material: High-alloy stainless steel
- RoHS-compliant
- Contains paint-wetting impairment substances



[1] Connection 1, drive outlet
[2] Connection 2, reducing outlet

Dimensions

DARQ-B-...	D2 ø	D3 ø	D4 ø	D5 ø	D6 ø	D7 ø	D8 ø	D9 ø	D10 ø	D11 ø
F0405-F0304-...	25.9	25.9	42	36	5.1	6.1	6.1	9.4	50	42
F0507-F0405-...	30.5	36.8	50	42	5.1	7.6	6.6	10.9	70	50
F0710-F0507-...	38.6	50	70	50	5.1	8.9	7.1	14	102	70
F1012-F10-...	69.9	76.2	-	102	5.1	-	11.2	17.3	125	102

Dimensions

DARQ-B-...	D12 ø	D13 ø	H1	H3	H4	H5	H6	H7	L1	L3	W1
F0405-F0304-...	6.1	7.6	39.9	3.2	5	28.2	3.8	7.1	46	22.9	45°
F0507-F0405-...	7.6	10.2	50	6	6	36.3	3.8	7.1	66	30.5	45°
F0710-F0507-...	8.9	10.9	74.9	9.5	9.5	50.5	3.8	7.1	102.1	39.1	45°
F1012-F10-...	11.2	13	80	10	9.5	58.4	3.8	7.1	132.1	63	45°

Ordering data

	Connection		CRC ¹⁾	Weight/piece [g]	Part no.	Type	PU ²⁾
	Drive outlet	Reducing outlet					
	Hole pattern 04 and 05	Hole pattern 03 and 04	2	120	8087462	DARQ-B-F0405-F0304-R1	1
	Hole pattern 05 and 07	Hole pattern 04 and 05		300	8087463	DARQ-B-F0507-F0405-R1	
	Hole pattern 10 and 12	Hole pattern 10		950	8087464	DARQ-B-F1012-F10-R1	
	Hole pattern 07 and 10	Hole pattern 05 and 07		1610	8087465	DARQ-B-F0710-F0507-R1	

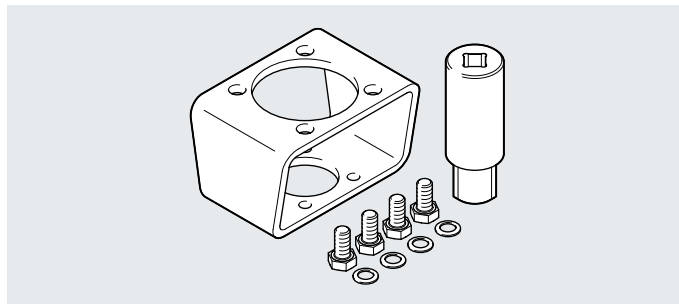
1) Corrosion resistance class CRC 2 to Festo standard FN 940070

Moderate corrosion stress. Indoor applications in which condensation can occur. External visible parts with primarily decorative surface requirements which are in direct contact with a normal industrial environment.

2) Packaging unit

Accessories

Mounting kit DARQ



General technical data		
DARQ-...	K-V-...	K-Z-...
Based on standard	EN 15081 ISO 5211	
Design	Female square and male square	Dual flat and male square
	Mounting kit	
Connection 1, function	Drive outlet	
Connection 2, function	Reducing outlet	

Operating and environmental conditions	
Corrosion resistance class CRC ¹⁾	2

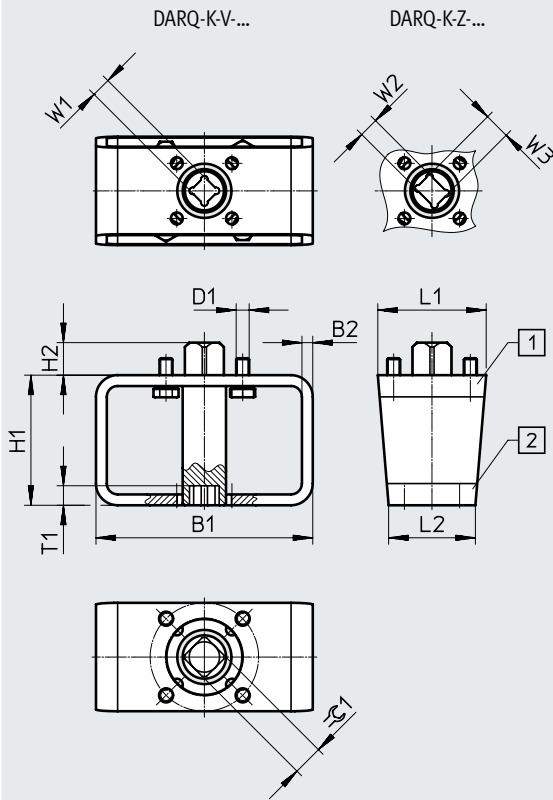
1) Corrosion resistance class CRC 2 to Festo standard FN 940070
Moderate corrosion stress. Indoor applications in which condensation can occur. External visible parts with primarily decorative surface requirements which are in direct contact with a normal industrial environment.

Materials	
Coupling	High-alloy stainless steel
Mounting adapter	Steel
Washer	High-alloy stainless steel
Screws	High-alloy stainless steel
Note on materials	RoHS-compliant Contains paint-wetting impairment substances

Accessories

Dimensions

Download CAD data → www.festo.com

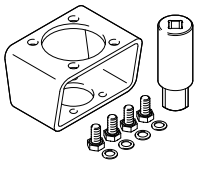
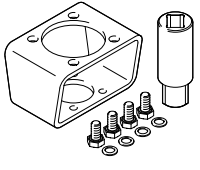


Accessories

DARQ-K-V...	B1	B2	D1	H1	H2	L1	L2	T1	W1 H11	≈ 1 h11
F03S9-F03S9-...	80	4	M5	50	9	40	40	9	9	9
F04S11-F03S9-...	80	4	M5	50	11	45	40	9	9	11
F04S11-F04S11-...	80	4	M5	50	11	45	45	11	11	11
F05S14-F03S9-...	100	5	M6	60	15	50	40	9	9	14
F05S14-F04S11-...	100	5	M6	60	15	50	45	11	11	14
F05S14-F05S14-...	100	5	M6	60	15	50	50	15	14	14
F07S17-F03S9	100	5	M8	60	18	70	45	9	9	17
F07S17-F04S11-...	100	5	M8	60	18	70	45	11	11	17
F07S17-F05S14-...	100	5	M8	60	18	70	50	15	14	17
F07S17-F07S14-...	100	5	M8	60	18	70	70	15	14	17
F07S22-F05S11-...	100	5	M8	60	23	70	50	11	11	22
F10S22-F04S11	120	5	M10	80	22	95	50	11	11	22
F10S22-F05S14-...	120	5	M10	80	22.5	95	50	15	14	22
F10S22-F07S17-...	120	5	M10	80	22.5	95	70	18	17	22
F10S22-F10S22-...	120	5	M10	80	22.5	95	95	22.5	22	22
F10S27-F05S14-...	120	5	M10	80	27.5	95	50	15	14	27
F10S27-F07S14-...	120	5	M10	80	27.5	95	70	15	14	27
F10S27-F07S17-...	120	5	M10	80	27.5	95	70	18	17	27
F12S27-F05S14	160	6	M12	80	27	115	70	15	14	27
F12S27-F07S14	160	6	M12	80	27	115	70	15	14	27
F12S27-F07S17-...	160	6	M12	80	27	115	70	18	17	27
F12S27-F10S22-...	160	6	M12	80	27	115	95	22.5	22	27
F12S27-F12S27-...	160	6	M12	80	27	115	115	27.5	27	27

DARQ-K-Z...	B1	B2	D1	H1	H2	L1	L2	T1	W2 -0.1	W3 H11	≈ 1 h11
F03S9-F03S9-...	80	4	M5	50	9	40	40	14	9	12.1	9
F04S11-F03S9-...	80	4	M5	50	11	45	40	14	9	12.1	11
F04S11-F04S11-...	80	4	M5	50	11	45	45	17	11	14.1	11
F05S14-F03S9-...	100	5	M6	60	15	50	40	14	9	12.1	14
F05S14-F04S11-...	100	5	M6	60	15	50	45	17	11	14.1	14
F05S14-F05S14-...	100	5	M6	60	15	50	50	21	14	18.1	14
F07S17-F04S11-...	100	5	M8	60	18	70	45	17	11	14.1	17
F07S17-F05S14-...	100	5	M8	60	18	70	50	21	14	18.1	17
F07S17-F07S14-...	100	5	M8	60	18	70	70	21	14	18.1	17
F10S22-F05S14-...	120	5	M10	80	22.5	95	50	21	14	18.1	22
F10S22-F07S17-...	120	5	M10	80	22.5	95	70	26	17	22.2	22
F10S22-F10S22-...	120	5	M10	80	22.5	95	95	33	22	28.2	22

Accessories

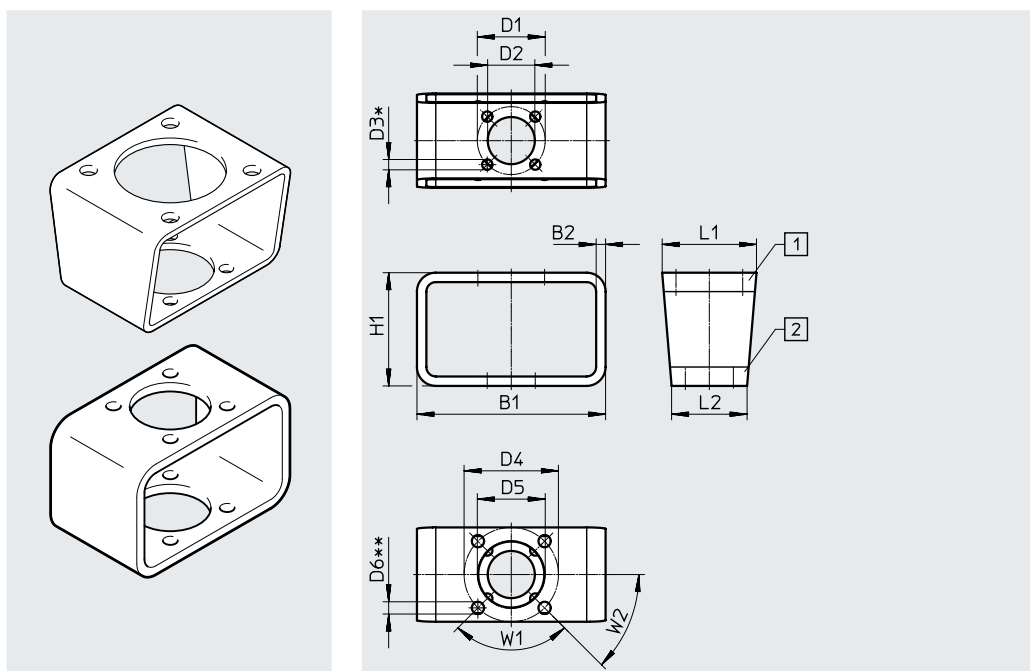
Ordering data	Connection		Weight/piece [g]	Part no.	Type	PU ¹⁾
	Drive outlet	Reducing outlet				
DARQ-K-V... (female square and male square)						
	SW9	SW9	392	8084186	DARQ-K-V-F03S9-F03S9-R13	1
	SW11	SW9	410	8084187	DARQ-K-V-F04S11-F03S9-R13	
	SW11	SW11	480	8084188	DARQ-K-V-F04S11-F04S11-R13	
	SW14	SW9	630	8084189	DARQ-K-V-F05S14-F03S9-R13	
	SW14	SW11	725	8084190	DARQ-K-V-F05S14-F04S11-R13	
	SW14	SW14	830	8084191	DARQ-K-V-F05S14-F05S14-R13	
	SW17	SW9	866	8132814	DARQ-K-V-F07S17-F03S9-R13	
	SW17	SW11	823	8084192	DARQ-K-V-F07S17-F04S11-R13	
	SW17	SW14	926	8084193	DARQ-K-V-F07S17-F05S14-R13	
	SW17	SW14	980	8084194	DARQ-K-V-F07S17-F07S14-R13	
	SW22	SW11	986	8084195	DARQ-K-V-F07S22-F05S11-R13	
	SW22	SW11	1410	8133487	DARQ-K-V-F10S22-F04S11-R13	
	SW22	SW14	1432	8084196	DARQ-K-V-F10S22-F05S14-R13	
	SW22	SW17	2045	8084197	DARQ-K-V-F10S22-F07S17-R13	
	SW22	SW22	2113	8084198	DARQ-K-V-F10S22-F10S22-R13	
	SW27	SW14	1935	8084199	DARQ-K-V-F10S27-F05S14-R13	
	SW27	SW17	2116	8084200	DARQ-K-V-F10S27-F07S17-R13	
	SW27	SW14	2134	8086439	DARQ-K-V-F10S27-F07S14-R13	
	SW27	SW14	2728	8133486	DARQ-K-V-F12S27-F05S14-R13	
	SW27	SW14	2655	8131545	DARQ-K-V-F12S27-F07S14-R13	
SW27	SW17	2615	8084201	DARQ-K-V-F12S27-F07S17-R13		
SW27	SW22	2753	8084202	DARQ-K-V-F12S27-F10S22-R13		
SW27	SW27	3552	8084203	DARQ-K-V-F12S27-F12S27-R13		
DARQ-K-Z... (dual flat and male square)						
	A/F 9 mm	A/F 9 mm	385	8085017	DARQ-K-Z-F03S9-F03S9-R13	1
	A/F 11 mm	A/F 9 mm	400	8085016	DARQ-K-Z-F04S11-F03S9-R13	
	A/F 11 mm	A/F 11 mm	465	8085018	DARQ-K-Z-F04S11-F04S11-R13	
	A/F 14 mm	A/F 9 mm	620	8085019	DARQ-K-Z-F05S14-F03S9-R13	
	A/F 14 mm	A/F 11 mm	710	8085020	DARQ-K-Z-F05S14-F04S11-R13	
	A/F 14 mm	A/F 14 mm	795	8085021	DARQ-K-Z-F05S14-F05S14-R13	
	A/F 17 mm	A/F 11 mm	810	8085022	DARQ-K-Z-F07S17-F04S11-R13	
	A/F 17 mm	A/F 14 mm	890	8085023	DARQ-K-Z-F07S17-F05S14-R13	
	A/F 17 mm	A/F 14 mm	945	8085024	DARQ-K-Z-F07S17-F07S14-R13	
	A/F 22 mm	A/F 22 mm	1980	8085025	DARQ-K-Z-F10S22-F10S22-R13	
	A/F 22 mm	A/F 14 mm	1396	8085026	DARQ-K-Z-F10S22-F05S14-R13	
	A/F 22 mm	A/F 17 mm	1970	8085027	DARQ-K-Z-F10S22-F07S17-R13	

1) Packaging unit

Accessories

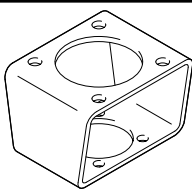
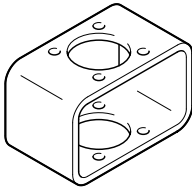
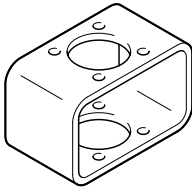
Mounting adapter DARQ

- Connection 1,
function: drive outlet
- Connection 2,
function: reducing outlet
- Material:
Galvanised steel
- RoHS-compliant
- Contains paint-wetting impairment substances



Dimensions															
DARQ-B-...	B1	B2	D1 ∅	D2 ∅	D3 ∅	D4 ∅	D5 ∅	D6 ∅	H1	L1	L2	*N1	**N2	W1	W2
F03-F03-...	80	4	36	25	5.5	36	25	5.5	50	40	40	4	4	90°	45°
F04-F03-...	80	4	36	25	5.5	42	30	5.5	50	45	40	4	4	90°	45°
F04-F04-...	80	4	42	30	5.5	42	30	5.5	50	45	45	4	4	90°	45°
F05-F03-...	100	5	36	25	5.5	50	35	6.5	60	50	40	4	4	90°	45°
F05-F04-...	100	5	42	30	5.5	50	35	6.5	60	50	45	4	4	90°	45°
F05-F05-...	100	5	50	35	6.5	50	35	6.5	60	50	50	4	4	90°	45°
F07-F04-...	100	5	42	30	5.5	70	55	9	60	70	45	4	4	90°	45°
F07-F05-...	100	5	50	35	6.5	70	55	9	60	70	50	4	4	90°	45°
F07-F07-...	100	5	70	55	9	70	55	9	60	70	70	4	4	90°	45°
F10-F05-...	120	5	50	35	6.5	102	70	11	80	95	50	4	4	90°	45°
F10-F07-...	120	5	70	55	9	102	70	11	80	95	70	4	4	90°	45°
F10-F10-...	120	5	102	70	11	102	70	11	80	95	95	4	4	90°	45°
F12-F07-...	160	6	70	55	9	125	85	13	80	115	70	4	4	90°	45°
F12-F10-...	160	6	102	70	11	125	85	13	80	115	95	4	4	90°	45°
F12-F12-...	160	6	125	85	13	125	85	13	80	115	115	4	4	90°	45°
F14-F10-...	160	6	102	70	11	140	100	17	80	135	95	4	4	90°	45°
F14-F12-...	160	6	125	85	13	140	100	17	80	135	115	4	4	90°	45°
F14-F14-...	160	6	140	100	17	140	100	17	80	135	135	4	4	90°	45°
F16-F12-...	200	6	125	85	13	165	130	21	100	160	115	4	4	90°	45°
F16-F14-...	200	6	140	100	17	165	130	21	100	160	135	4	4	90°	45°
F16-F16-...	200	6	165	130	21	165	130	21	100	160	160	4	4	90°	45°
F25-F14-...	400	10	140	100	17	254	200	17	200	270	135	8	4	45°	22.5°
F25-F16-...	400	10	165	130	21	254	200	17	200	270	160	8	4	45°	22.5°
F25-F25-...	400	10	254	200	17	254	200	17	200	270	270	8	4	45°	22.5°
F30-F16-...	400	10	165	130	21	298	230	21	200	320	160	8	4	45°	22.5°
F30-F25-...	400	10	254	200	17	298	230	21	200	320	270	8	4	45°	22.5°
F30-F30-...	400	10	298	200	21	298	230	21	200	320	320	8	4	45°	22.5°

Accessories

Ordering data	Connection		CRC ¹⁾	Weight/piece [g]	Part no.	Type	PU ²⁾		
	Drive outlet	Reducing outlet							
	Hole pattern 04	Hole pattern 03	2	270	8082978	DARQ-B-F04-F03-R13	1		
	Hole pattern 05	Hole pattern 03		442	8082980	DARQ-B-F05-F03-R13			
	Hole pattern 05	Hole pattern 04		461	8082981	DARQ-B-F05-F04-R13			
	Hole pattern 07	Hole pattern 04		514	8082983	DARQ-B-F07-F04-R13			
	Hole pattern 07	Hole pattern 05		530	8082984	DARQ-B-F07-F05-R13			
	Hole pattern 10	Hole pattern 05		836	8082986	DARQ-B-F10-F05-R13			
	Hole pattern 10	Hole pattern 07		920	8082987	DARQ-B-F10-F07-R13			
	Hole pattern 12	Hole pattern 07		1504	8082989	DARQ-B-F12-F07-R13			
	Hole pattern 12	Hole pattern 10		1688	8082990	DARQ-B-F12-F10-R13			
	Hole pattern 14	Hole pattern 10		1775	8082992	DARQ-B-F14-F10-R13			
	Hole pattern 14	Hole pattern 12		1889	8082993	DARQ-B-F14-F12-R13			
	Hole pattern 16	Hole pattern 12		2648	8082995	DARQ-B-F16-F12-R13			
	Hole pattern 16	Hole pattern 14		2792	8082996	DARQ-B-F16-F14-R13			
	Hole pattern 25	Hole pattern 14		14734	8082998	DARQ-B-F25-F14-R13			
	Hole pattern 25	Hole pattern 16		15384	8082999	DARQ-B-F25-F16-R13			
	Hole pattern 30	Hole pattern 16		16740	8083001	DARQ-B-F30-F16-R13			
	Hole pattern 30	Hole pattern 25		20250	8083002	DARQ-B-F30-F25-R13			
		Hole pattern 05		Hole pattern 04	2305	8083005		DARQ-B-F05-F04-R13-P5	5
		Hole pattern 07		Hole pattern 05	2650	8083007		DARQ-B-F07-F05-R13-P5	
		Hole pattern 10		Hole pattern 07	4600	8083009		DARQ-B-F10-F07-R13-P5	
Hole pattern 03		Hole pattern 03	260	8082977	DARQ-B-F03-F03-R13	1			
Hole pattern 04		Hole pattern 04	275	8082979	DARQ-B-F04-F04-R13				
Hole pattern 05		Hole pattern 05	478	8082982	DARQ-B-F05-F05-R13				
Hole pattern 07		Hole pattern 07	583	8082985	DARQ-B-F07-F07-R13				
Hole pattern 10		Hole pattern 10	1037	8082988	DARQ-B-F10-F10-R13				
Hole pattern 12		Hole pattern 12	1802	8082991	DARQ-B-F12-F12-R13				
Hole pattern 14		Hole pattern 14	1976	8082994	DARQ-B-F14-F14-R13				
Hole pattern 16	Hole pattern 16	2844	8082997	DARQ-B-F16-F16-R13					
Hole pattern 25	Hole pattern 25	18895	8083000	DARQ-B-F25-F25-R13					
Hole pattern 30	Hole pattern 30	21644	8083003	DARQ-B-F30-F30-R13					
	Hole pattern 04	Hole pattern 04	1375	8083004	DARQ-B-F04-F04-R13-P5	5			
	Hole pattern 05	Hole pattern 05	2390	8083006	DARQ-B-F05-F05-R13-P5				
	Hole pattern 07	Hole pattern 07	2915	8083008	DARQ-B-F07-F07-R13-P5				
	Hole pattern 10	Hole pattern 10	5185	8083010	DARQ-B-F10-F10-R13-P5				

1) Corrosion resistance class CRC 2 to Festo standard FN 940070

Moderate corrosion stress. Indoor applications in which condensation can occur. External visible parts with primarily decorative surface requirements which are in direct contact with a normal industrial environment.

2) Packaging unit